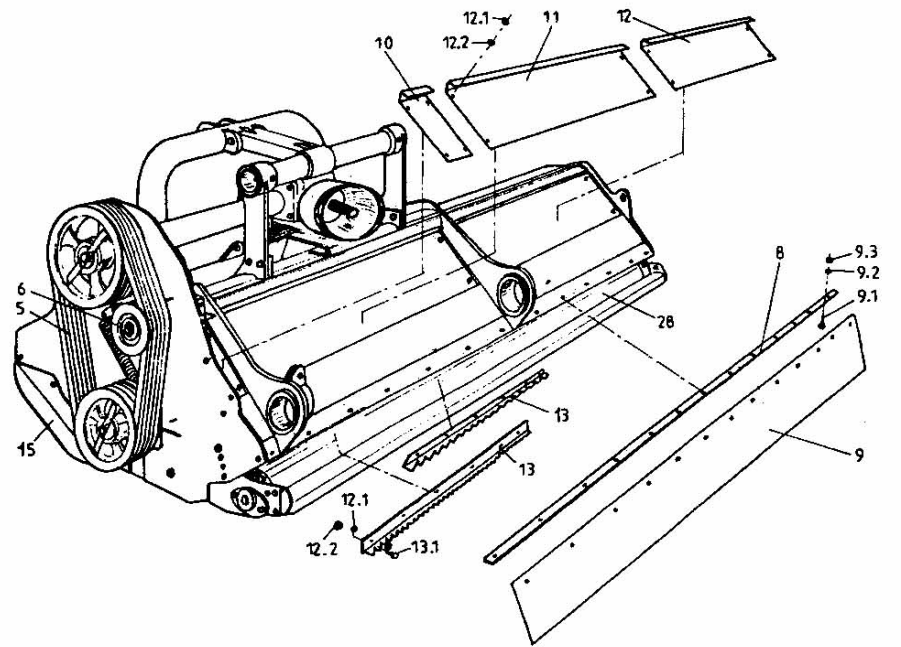
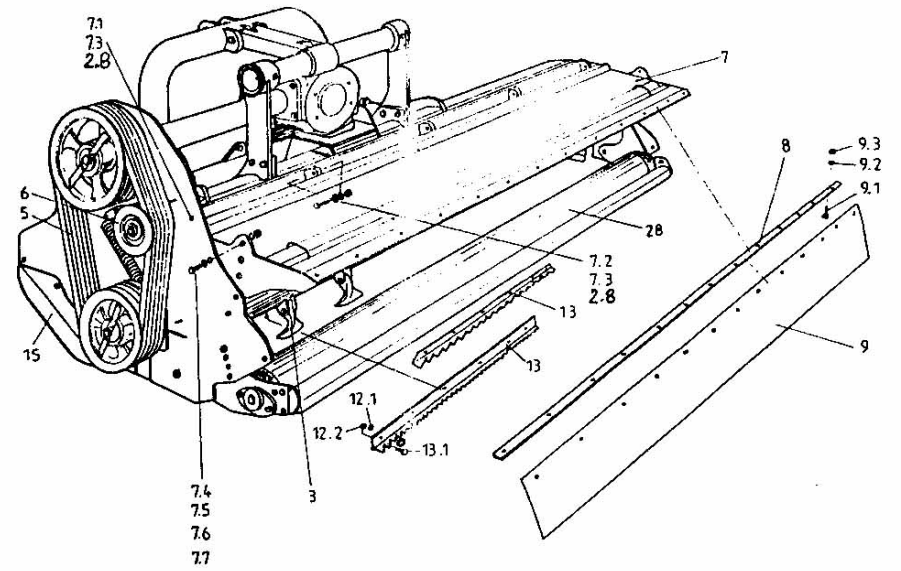
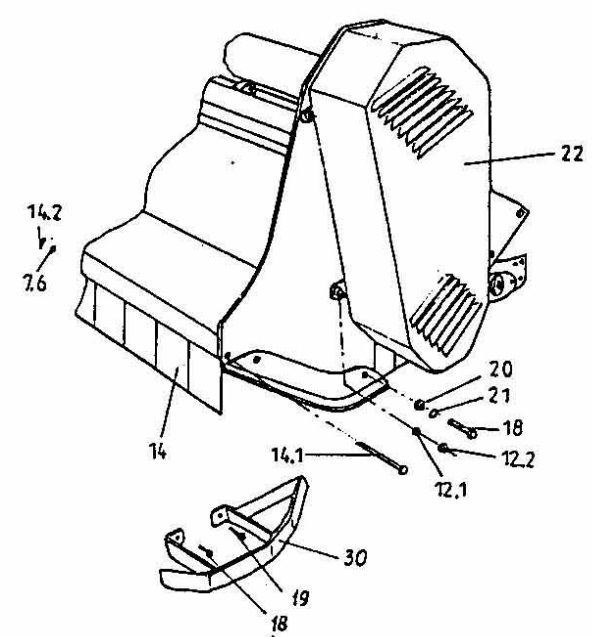
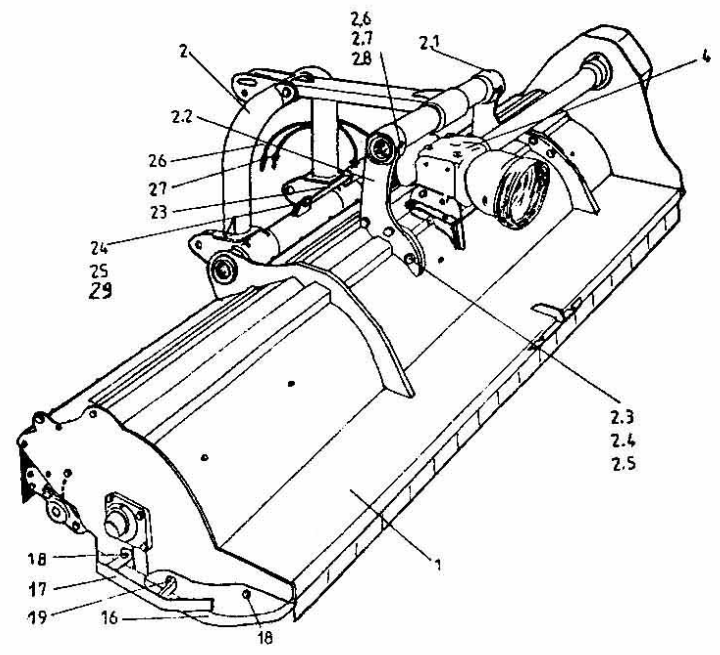
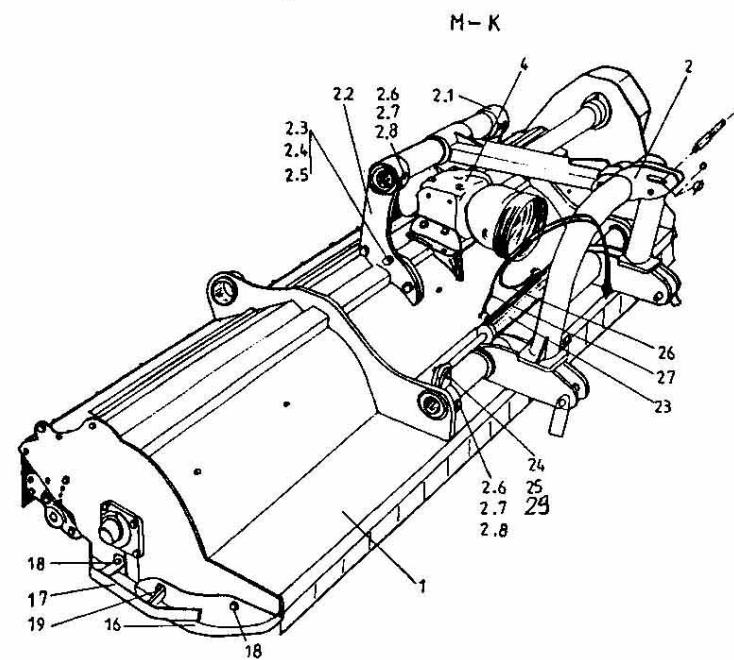
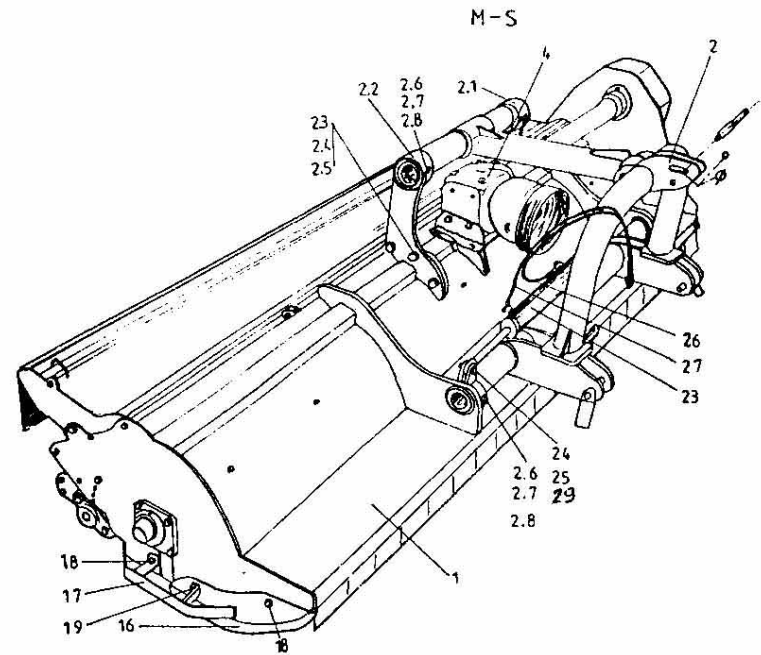


M-S



M-F



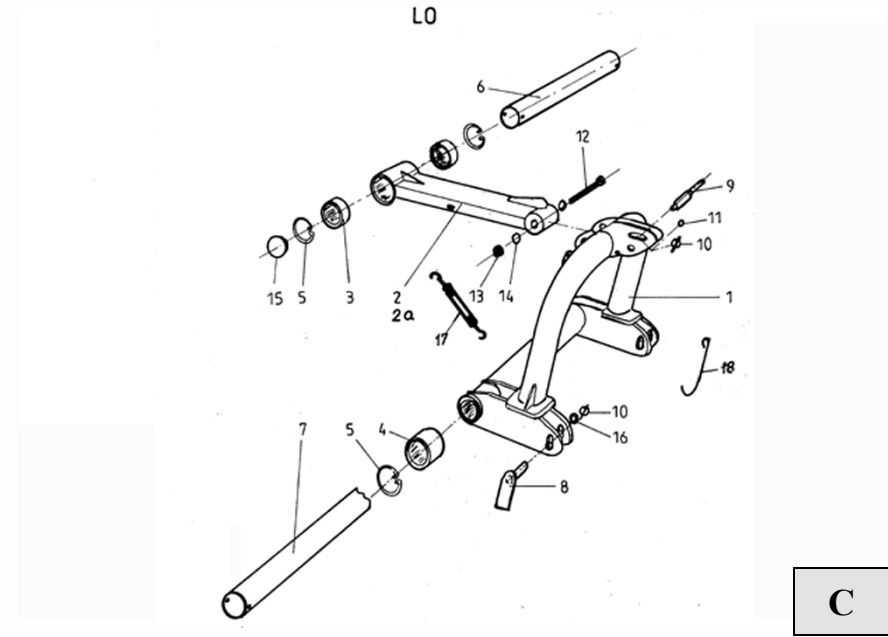


Pos	Name	Part nr.	Quantity		
			245	270	300
A	FLAIL MOWER PROFI				
1	Frame 245	15505	1		
	Frame 245 Front-option	15982	1		
	Frame 245 Combi-option	15967	1		
	Frame 245 LH-option	15964	1		
	Frame 245 Front LH-option	15985	1		
	Frame 245 Combi LH-option	15988	1		
	Frame 270	15506		1	
	Frame 270 Front-option	15983		1	
	Frame 270 Combi-option	15968		1	
	Frame 270 LH-option	15965		1	
	Frame 270 Front LH-option	15986		1	
	Frame 270 Combi LH-option	15989		1	
	Frame 300	15507			1
	Frame 300 Front-option	15984			1
	Frame 300 Combi-option	15969			1
	Frame 300 LH-option	15966			1
	Frame 300 Front LH-option	15987			1
	Frame 300 Combi LH-option	15990			1
2	Linkage cpl	LO	1	1	1
2.1	Linkage holder L	15948	1	1	1
2.2	Linkage holder R	15949	1	1	1
2.3	Bolt M 20 x 75	15540	6	6	6
2.4	Locknut M 20	10207	6	6	6
2.5	Washer 20	10224	12	12	12
2.6	Bolt M 12 x 140	15477	3	3	3
2.7	Locknut M 12	10203	3	3	3
2.8	Washer 12	10220	13	13	13
3	Rotor shaft cpl	RO	1	1	1
4	Gearbox cpl	RE	1	1	1
	Gearbox 990	15872	1	1	
	Gearbox 1400	11949			1
	Gearbox 990 LH-option	16132	1	1	
	Gearbox 1400 LH-option	16133			1
	Gearbox 990 Combi-option	16134	1	1	
	Gearbox 1400 Combi-option	16135			1
**4	Gearbox 990 Combi 1000-option	17676	1	1	

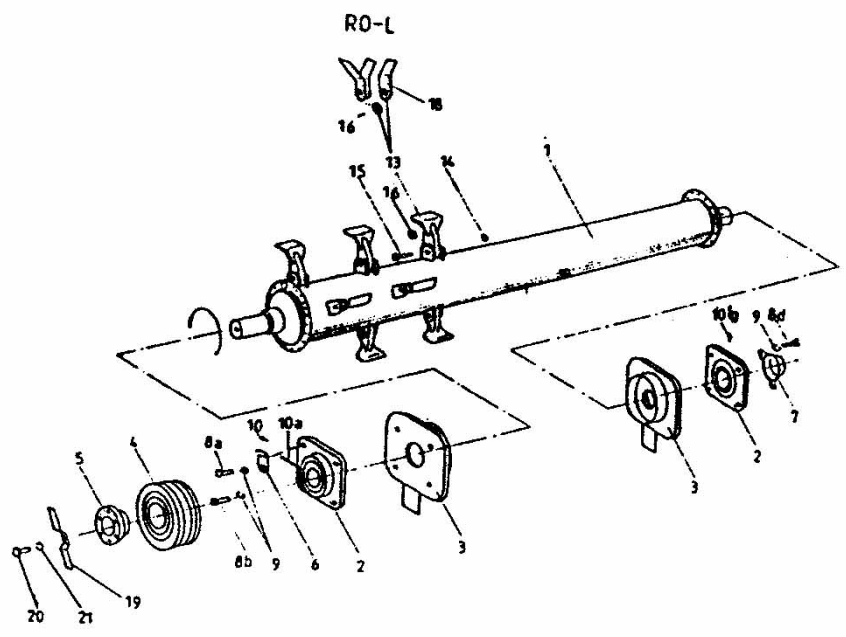
Pos	Name	Part nr	Quantity		
			245	270	300
A	PROFI		245	270	300
	Gearbox1400 Combi 1000-option	17677			1
5	Belt xpb 1800	11837	4	5	5
**5	Belt xpb 1780-option (1000 rpm)	17675	4	5	5
6	Strain pulley cpl	NA	1	1	1
7	Rear gate 245	15517	1		
	Rear gate 270	15518		1	
7	Rear gate 300	15519			1
7.1	Bolt M 12 x 45	10272	2	2	2
7.2	Bolt M 12 x 55	10274	3	3	3
7.3	Locknut M12	10203	5	5	5
7.4	Bolt M 14 x 40	11835	2	2	2
7.5	Nut M 14	10191	2	2	2
7.6	Washer 14 (pc nr for Front, Combi:1/1/1)	10221	3	3	3
7.7	Spring washer 14	10234	2	2	2
8	Bar for rubber 245	15547	1		
	Bar for rubber 270	15548		1	
	Bar for rubber 300	15549			1
9	Rubber guard 245	15544	1		
	Rubber guard 270	15545		1	
	Rubber guard 300	15546			1
9.1	Bolt M 8 x 30	10251	9	9	9
9.2	Washer 8	10218	9	9	9
9.3	Locknut M 8	10201	9	9	9
10	Rear gate 130-Front, Combi option	15992	1	1	
	Rear gate 540-Front, Combi option	15993			1
11	Rear gate 1510-Front, Combi option	15997	1	1	1
12	Rear gate 680-Front, Combi option	15994	1		
	Rear gate 930-Front, Combi option	15996		1	
	Rear gate 820-Front, Combi option	15995			1
12-1	Washer 10	10219	40	40	40
12.2	Locknut M 10 (pc nr for F, C:32/32/32)	10202	20	20	20
13	Counter blade 245	16017	2		
	Counter blade 270	16018		2	
	Counter blade 300	16019			2
13.1	Bolt M 10 x 30	10259	16	16	16
14	Flap 140	15526	16	18	20

Pos	Name	Part nr	Quantity		
			245	270	300
A	PROFI		245	270	300
	Flap 95 *	15527	1		
	Flap 70 **	15529			1
	Flap 55	15528		1	
14.1	Flap bar 245	10544	1		
	Flap bar 270	10546		1	
	Flap bar 300	10547			1
14.2	Split pin	10449	1	1	1
15	Skid L	15520	1	1	1
16	Skid R	15520	1	1	1
17	Side guard R	16089	1	1	1
18	Bolt M 16 x 40	10282	4	4	4
19	Bolt M 16 x 50	10308	2	2	2
20	Nut M 16	10193	6	6	6
21	Spring washer 16	10235	6	6	6
22	Belt shield RH	15523	1	1	1
	Belt shield LH-option	16094	1	1	1
23	Hydraulic cylinder	16124	1	1	1
24	Pivot pin 20 x 55	10033	2	2	2
25	Pin R 3	10327	2	2	2
26	Hydraulic pipe 2,4 cpl	10290	1	1	1
27	Hydraulic pipe2.0 cpl	15327	1	1	1
28	Rear roller cpl	VZ	1	1	1
	Rear roller 245 cpl	16099	1		
	Rear roller 270 cpl	16100		1	
	Rear roller 300 cpl	16101			1
29	Washer 20	10224	2	2	2
30	Side guard L	17019	1	1	1

**B**



**C**

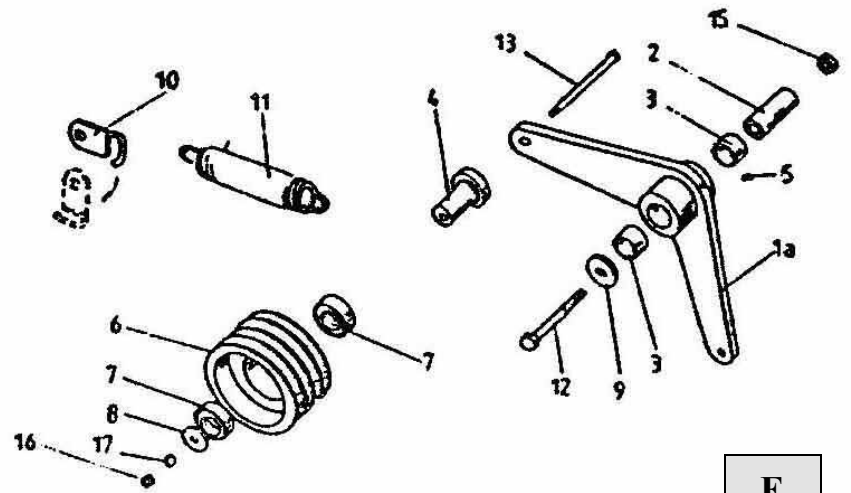


						B
Pos	Name	Part nr	Quantity			
			245	270	300	
B	LINKAGE PROFI		245	270	300	
1	Linkage	17099	1	1	1	
2	Connecting bar	15514	1	1	1	
2a	Connecting bar – Combi option	17810	1	1	1	
3	Bushing 45	15536	2	2	2	
4	Bushing 100	15535	2	2	2	
5	Slide pc int 100	10417	4	4	4	
6	Sliding tube 800	15516	1	1	1	
7	Sliding tube 1600	15515	1	1	1	
8	Pivot pin 28	15522	2	2	2	
9	Pivot pin connect 19/25	10991	1	1	1	
10	Pin 10	10328	3	3	3	
11	Washer 20	10224	3	3	3	
12	Bolt M24x190	12668	1	1	1	
13	Locknut M24	11810	1	1	1	
14	Washer 24	10226	2	2	2	
15	Cap PVC	17219	4	4	4	
17	Turnbuckle	17768	2	2	2	
18	Hook for PTO shaft	19024	1	1	1	
						C
C	ROTOR SHAFT- STANDARD, LH		245	270	300	
RO	Rotor shaft 245 hammers-balanced	19237	1			
	Rotor shaft 270 hammers-balanced	19238		1		
	Rotor shaft 300 hammers-balanced	19239			1	
RoL	Rotor shaft 245 LH hammers-balanced	19299	1			
	Rotor shaft 270 LH hammers-balanced	19300		1		
	Rotor shaft 300 LH hammers-balanced	19301			1	
RO	Rotor shaft 245 Y-blades-balanced	19241	1			
	Rotor shaft 270 Y-blades-balanced	19242		1		
	Rotor shaft 300 Y-blades-balanced	19243			1	
2	Bearing 55	11948		2		
3	Underlying plate L,R	16059		2		
4	Pulley 180 / 85-4	11918	1			
	Pulley 180 / 85-5	11919		1	1	

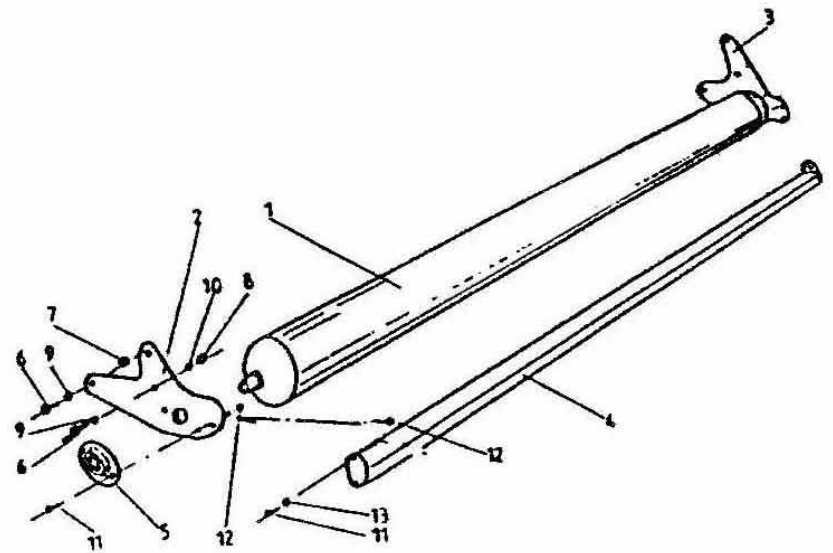


Pos	Name	Part nr	Quantity		
C	ROTOR SHAFT-STANDARD, LH		245	270	300
**4	Pulley 190 / 85-4-option for 1000 rpm	17673	1		
**4	Pulley 190 / 85-5-option for 1000 rpm	17674		1	1
5	Elve clutch 85 / 55	11920	1	1	1
6	Hook	16069	1	1	1
7	Bearing cap	16060	1	1	1
8a	Bolt M 16 x 50	10308	1	1	1
8b	Bolt M 16 x 45	10283	7	7	7
9	Spring washer 16	10235	8	8	8
10	Grease tube cpl	19361	1	1	1
10a	Grease tube cpl	19361	1	1	1
10b	Grease nipple R3/8	17213	1	1	1
13	Hammer	19260	24	28	32
14	Locknut M 20	10207	24	28	32
15	Bolt M 20 x 90	16004	24	28	32
16	Washer 20	10224	72	84	96
18	Y-blade - option	10867	72	84	96
19	Propeller blade Small	16058	1	1	1
20	Bolt M 12 x 20	10267	1	1	1
21	Spring washer 12	10233	1	1	1

D

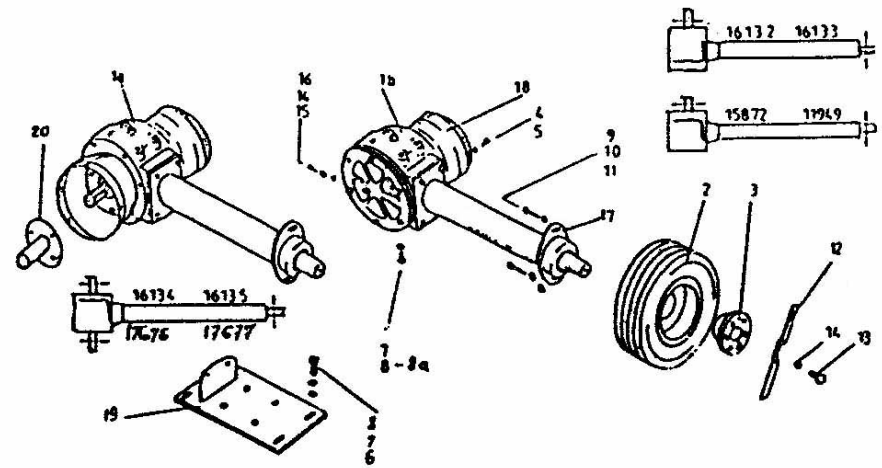


E



Pos	Name	Part nr	Quantity		
			245	270	300
C	STRAIN PULLEY-STANDARD, LH		245	270	300
NA	Strain pulley cpl	16055	1		
NA	Strain pulleycpl	16076		1	1
NaL	Strain pulley LH cpl	16071	1		
NaL	Strain pulleyLH cpl	16077		1	1
1	Lever	16061	1	1	1
1a	Lever LH	16072	1	1	1
2	Bushing 30	16064	1	1	1
3	Bushing 40	16065	2	2	2
4	Pivot	16063	1	1	1
5	Grease nipple AM 6 x 1	10394	1	1	1
6	Strain pulley 130 / 4	16062	1		
	Strain pulley 130 / 5	16075		1	1
7	Bearing 6006	11832	2	2	2
8	Washer 36	16066	1	1	1
9	Washer 35	17839	1	1	1
10	Hook	16069	1	1	1
11	Spring	11846	1	1	1
12	Bolt M16x100	10288	1	1	1
13	Bolt M12x115	12718	1	1	1
15	Locknut M16	10205	1	1	1
15a	Washer 16	10222	1	1	1
16	Locknut M12	10203	1	1	1
17	Spring washer 12	10220	1	1	1

Pos	Name	Part nr	Quantity		
			245	270	300
D	REAR ROLLER		245	270	300
Vz	Rear roller 245 cpl	16099	1		
	Rear roller 270 cpl	16100		1	
	Rear roller 300 cpl	16101			1
1	Rear roller 245	15510	1		
	Rear roller 270	15511		1	
	Rear roller 300	15512			1
2	Rear roller bracket L	15533	1	1	1
3	Rear roller bracket R	15533	1	1	1
4	Scraper 245	15530	1		
	Scraper 270	15531		1	
	Scraper 300	15532			1
5	Bearing 16208	15538	2	2	2
6	Bolt M16x 45	10283	4	4	4
7	Locknut M16	10205	2	2	2
8	Nut M16	10193	2	2	2
9	Washer 16	10222	4	4	4
10	Spring washer 16	10235	2	2	2
11	Bolt M12x 40	15483	8	8	8
12	Locknut M12	10203	8	8	8
13	Washer 12	10220	8	8	8



Pos	Name	Part nr	Quantity		
F	GEARBOX- STANDARD, LH		245	270	300
1	Gearbox 990	15872	1	1	
	Gearbox1400	11949			1
1b	Gearbox 990 –option LH	16132	1	1	
	Gearbox1400-option LH	16133			1
1a	Gearbox 990-option Combi	16134	1	1	
	Gearbox1400-option Combi	16135			1
*1a	Gearbox 990-option Combi 1000	17676	1	1	
	Gearbox 400-option Combi 1000	17677			1
2	Pulley 300 / 80-4	11853	1		
	Pulley 300 / 80-5	11852		1	1
**2	Pulley 280 / 80-4-option for 1000 rpm	11831	1		
	Pulley 280 / 80-5-option for 1000 rpm	17672		1	1
3	Elve clutch 80 / 45	10760		1	1
4	Bolt M 8x 16 standard/option Combi	12024	4/8	4/8	4/8
5	Washer 8 standard/option Combi	10218	4/8	4/8	4/8
6	Washer 16	10222	4	4	4
7	Spring washer 16	10235	8	8	8
8 a	Bolt M 16 x 30	10280	2	2	2
8	Bolt M 16 x 35	12779	6	6	6
9	Bolt M 14 x 40	11835	2	2	2
10	Spring washer 14	10234	2	2	2
11	Washer 14	10221	2	2	2
12	Propeller blade Large	16057	1	1	1
13	Bolt M 12 x 20	10267	1	1	1
14	Spring washer 12	10233	3	3	3
15	Washer 12	10220	2	2	2
16	Bolt M 12 x 30	10998	2	2	2
17	Gearbox flange	16056	1	1	1
18	PTO shaft shield standard/opt.Combi	11880	1/2	1/2	1/2
19	Gearbox plate	17062	1	1	1
20	Cap PVC	19017	1	1	1