

--	--	--	--	--	--	--

		/				
--	--	---	--	--	--	--



<i>Designation</i>	<i>Quantity</i>	<i>Page nbr.</i>
Attelage Hitch	1	5
Flèche Drawbar	1	6 - 7
Châssis supérieur Upper chassis	1	8 - 10
Châssis inférieur Inferior chassis	1	11 - 13
Train porteur Wheel carrier	1	14
Roues Wheels	1	15
Kit hydraulique Hydraulic kit	1	16 - 18
Kit électrique Electric kit	1	19
Signalisation Signaling	1	20

Toute reproduction, copie intégrale ou partielle de ce catalogue, quel que soit le pays, la forme et le support, est strictement interdite sans l'accord écrit de Grégoire-Besson.

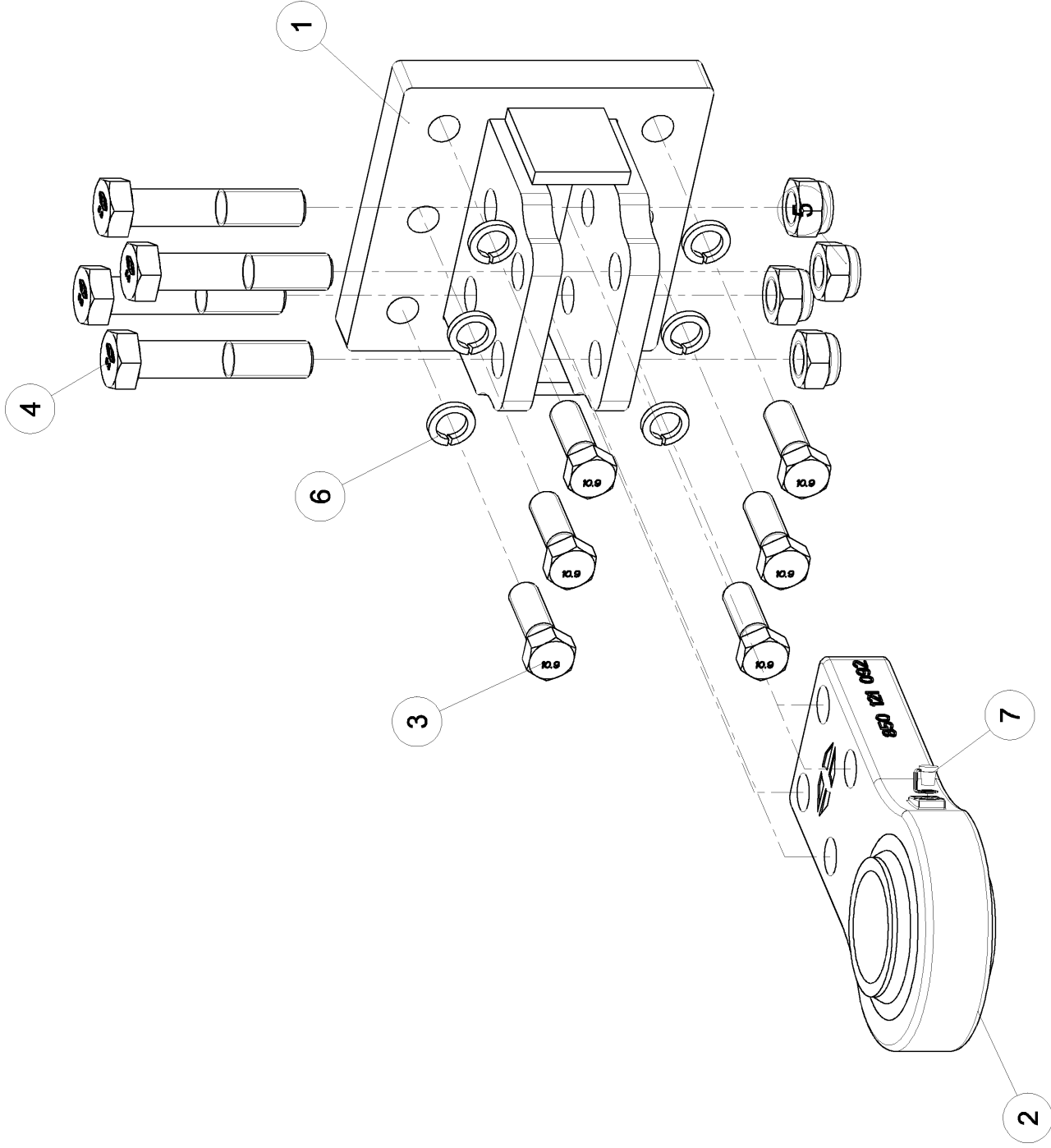
Any replication or copying whether in whole or in part, regardless of the country, of the form or medium, is strictly prohibited without the previous written agreement of Grégoire-Besson.



Attelage rotule forgée D:70mm
Spherical forged hitch D:70mm

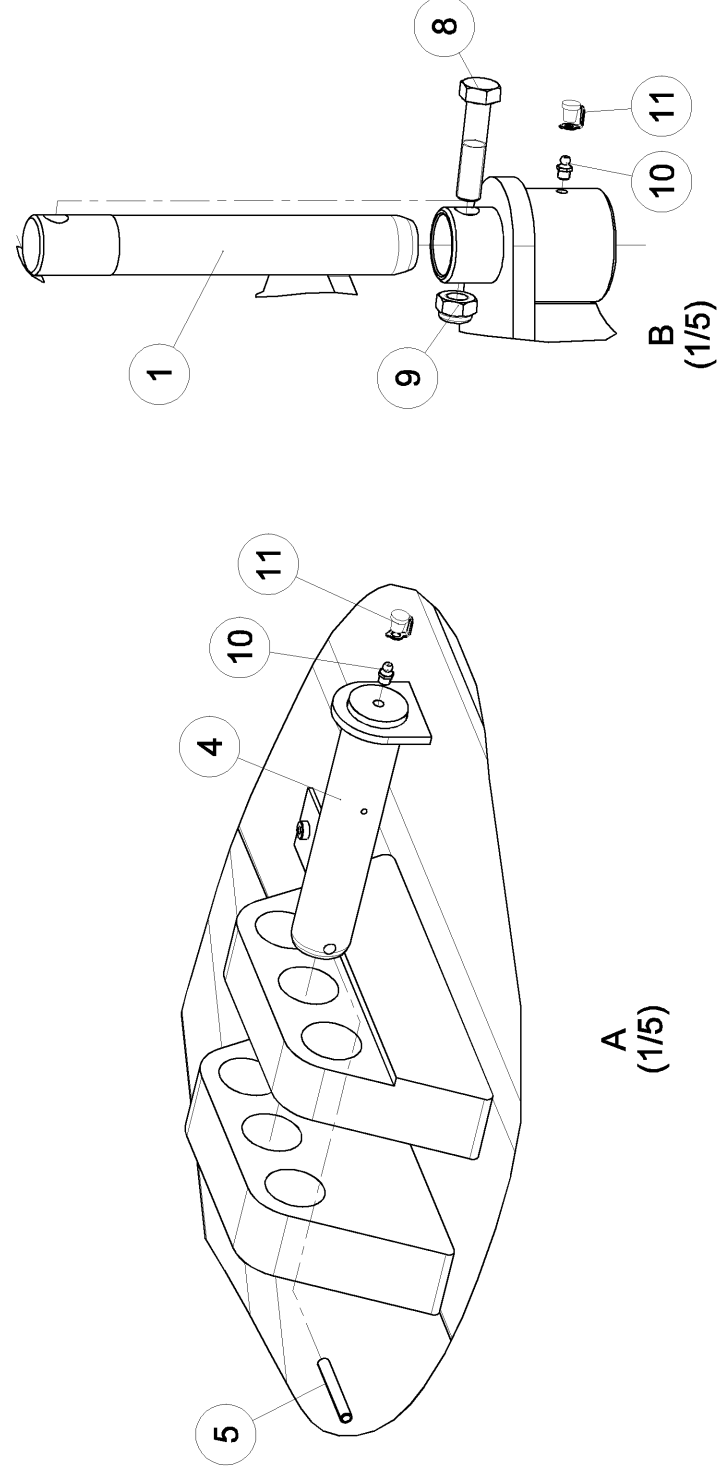
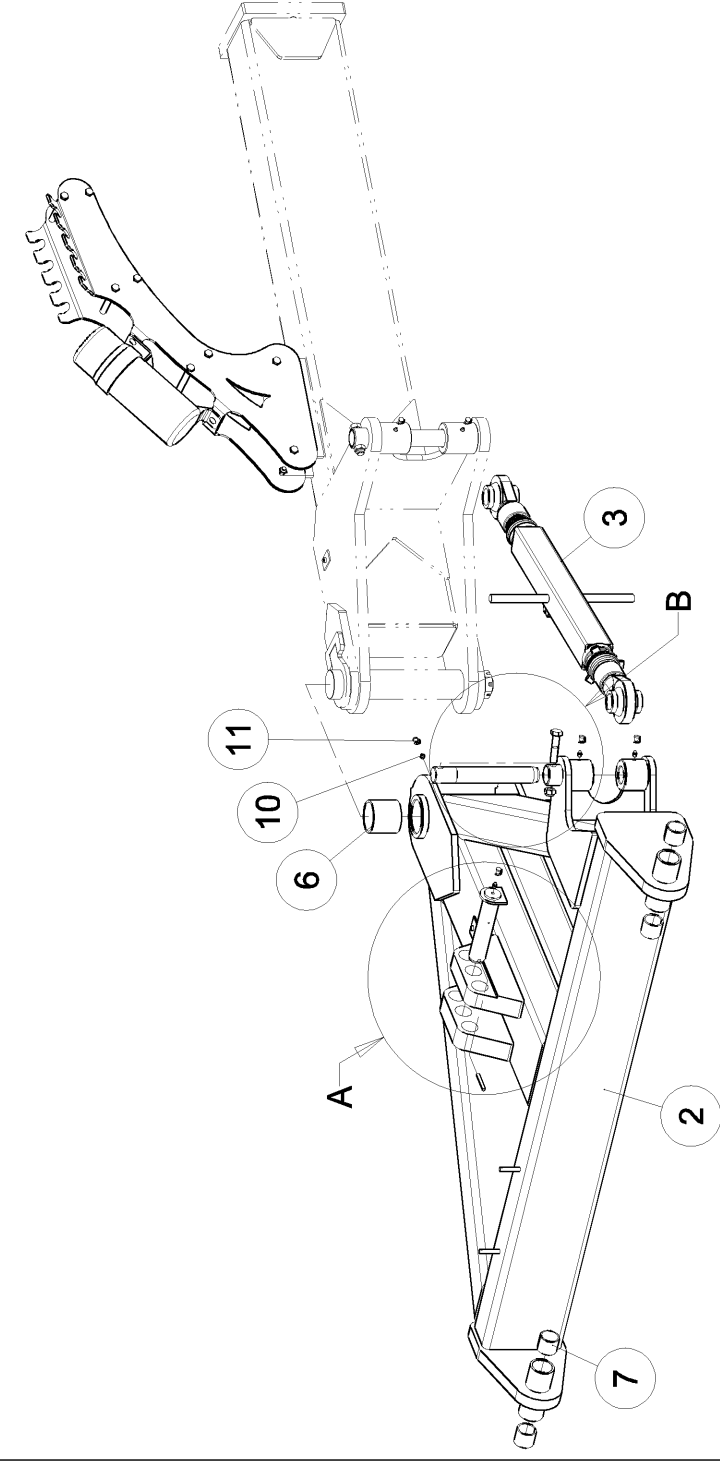


Repere	Quantite	Reference	Designation
1	1	060 406 400	Support d'attelage rotule forgée Hitch support
2	1	850 121 092	Rotule forgée douille Ø70mm Forged ball with bush Ø70mm
3	6	VI 33 30	Vis H M20x 60 - 10.9 ZNBL Screw H M20x 60 - 10.9 ZNBL
4	4	VI 35 06	Vis H M24x120 - 8.8 ZNBL Screw H M24x120 - 8.8 ZNBL
5	4	VJ 331	Ecrou frein std H M 24 - 8 ZNBL Nyloc nut std H M 24 - 8 ZNBL
6	6	VK 310	Rondelle "Grower" W20 ZNBL Washer "Grower" W20 ZNBL
7	1	VM 215	Chapeau de protection de graisseur Protection hat for grease nipple



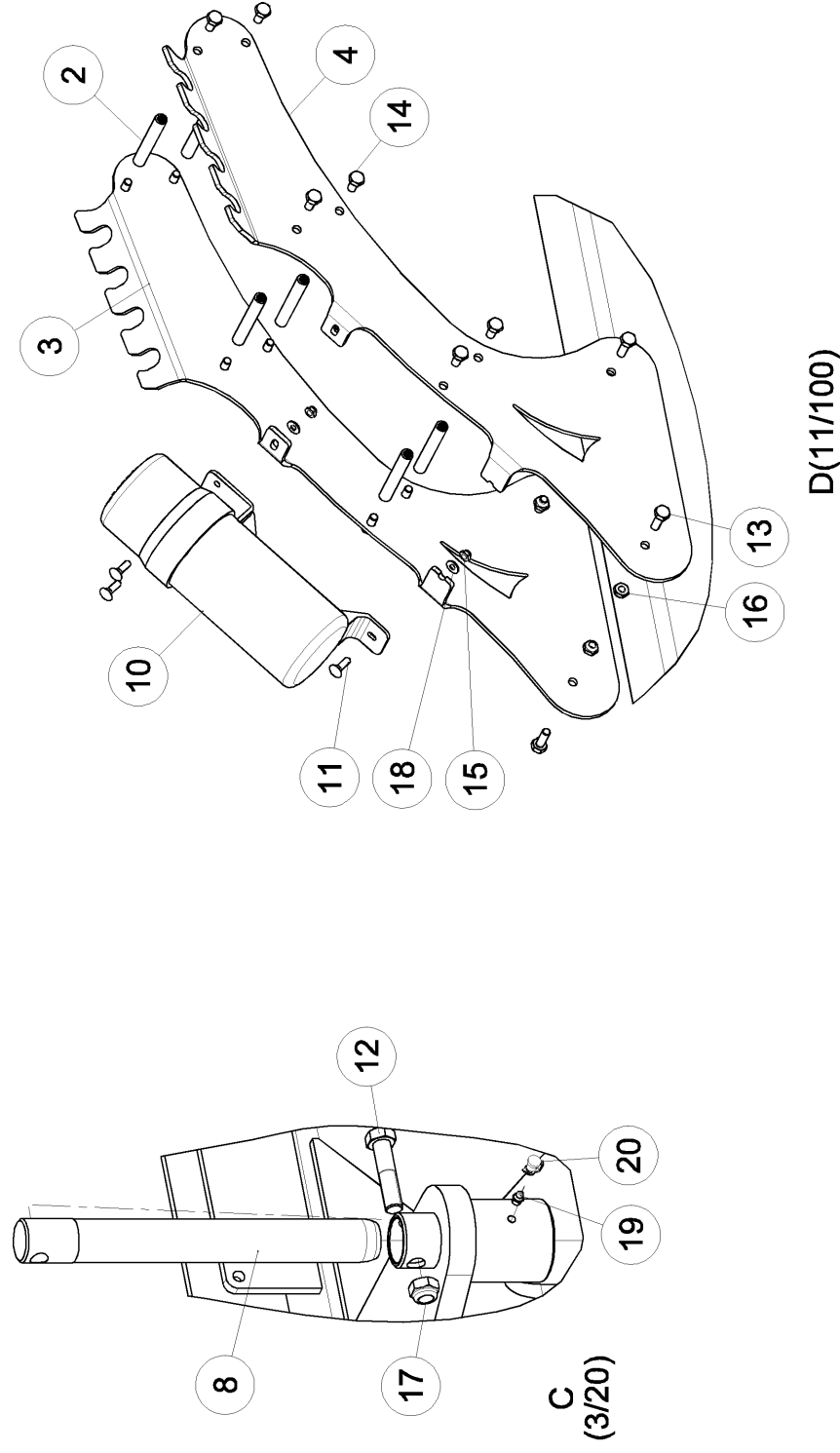
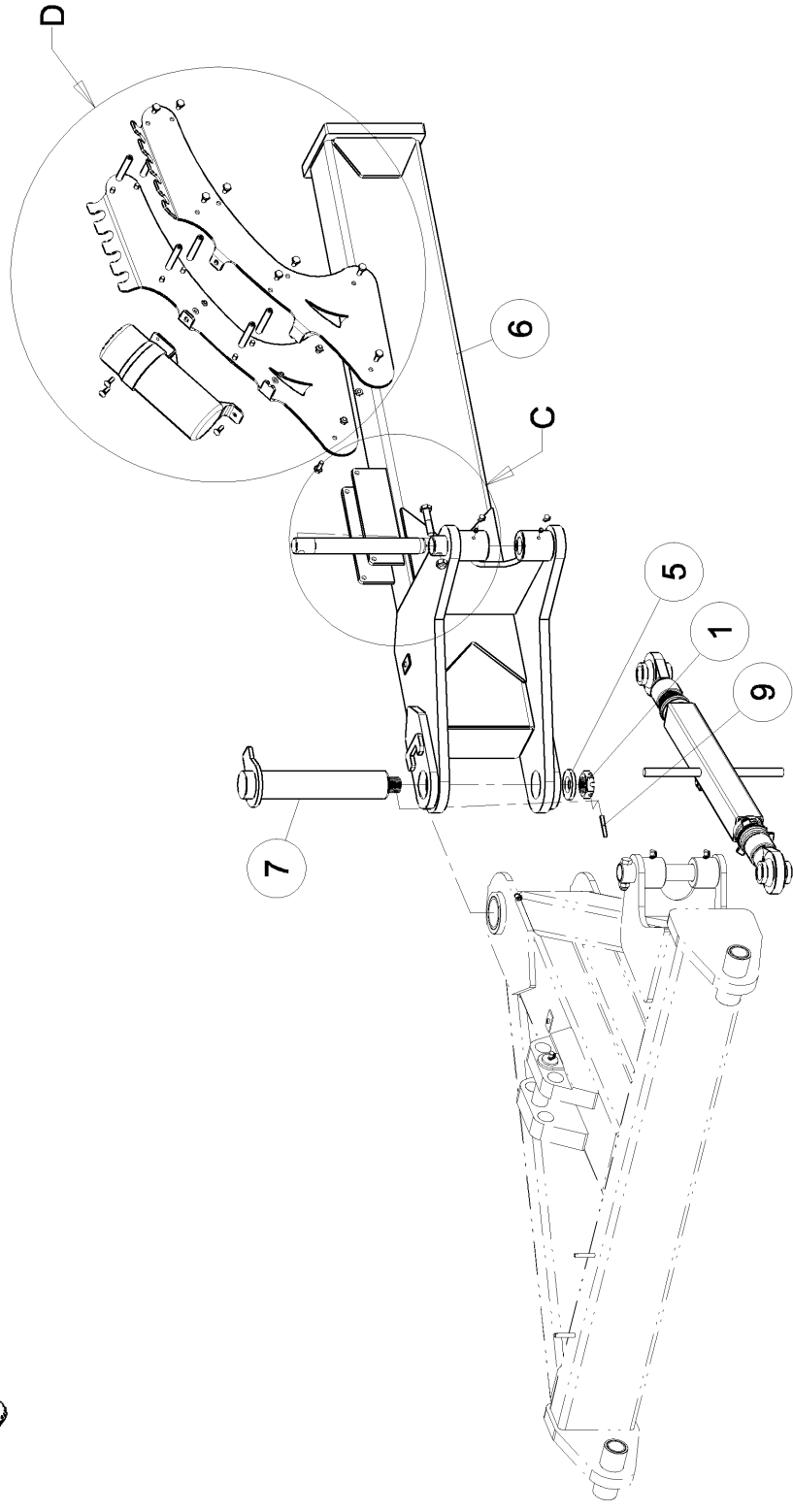
Flèche - Mécanique

Flèche - Mecanic

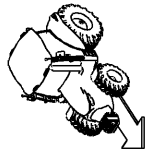


Repere	Quantité	Reference	Designation
1	1	060 000 290	Axe D:40mm - Lg:265mm Axle D:40mm - Lg:265mm
2	1	102 907 400	Support de flèche Boom support
3	1	102 907 670	Tirant 3ième point Lg:600mm
4	1	107 206 700	Axe D:40 - Lg:200mm Axle D:40 - Lg:200mm
5	2	806 300 800 Z	Goupille elastique 8 - 60 Roll pin 8 - 60
6	2	850 100 486	Bague Luytex D:80x70 - Lg:70mm Wearing bush D:80x70 - Lg:70mm
7	4	850 102 186	Bague acier D:40x48mm - Lg=40mm Bush steel D:40x48mm - Lg=40mm
8	2	VI 31 11	Vis H M16x 70 - 8.8 ZNBL Screw H M16x 70 - 8.8 ZNBL
9	2	VJ 324	Ecrou frein std H M 16 - 8 ZNBL Nyloc nut std H M 16 - 8 ZNBL
10	6	VM 201	Graisseur droit - M8, pas125 Grease nipple - M8, thread125
11	6	VM 215	Chapeau de protection de graisseur Protection hat for grease nipple

Flèche - Mécanique
Flèche - Mecanic



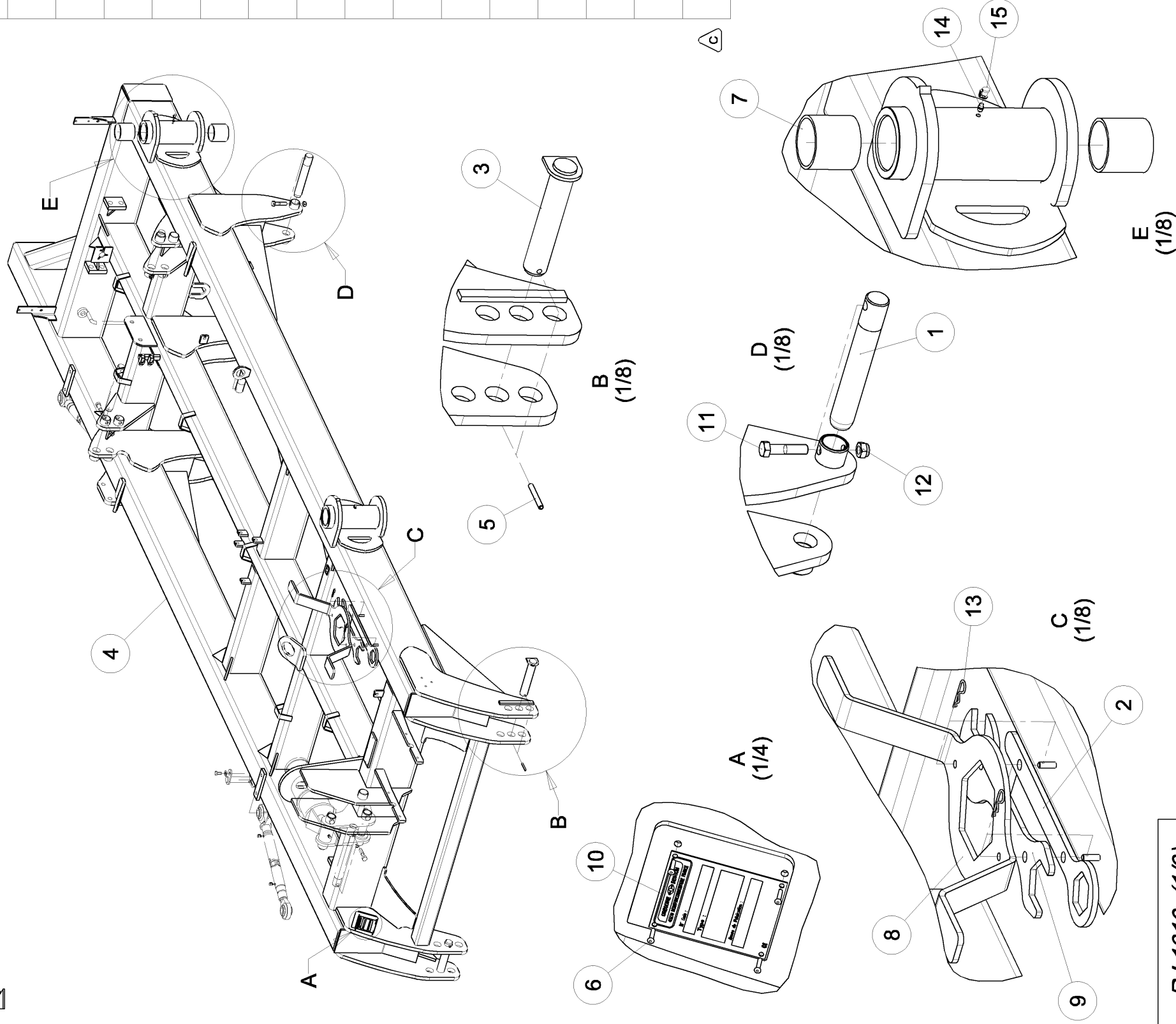
Repete	Quantité	Reference	Designation
1	1	030 300 690Z	Ecrou HM 40 x 2.5 CI 8.8 Z Nut HM 40 x 2.5 CI 8.8 Z
2	6	060 403 890	Entretoise D:15mm - Lg:100mm Spacer D:15mm - Lg:100mm
3	1	060 405 990	Support de flexibles Hydraulic hoses support
4	1	060 405 995	Support accrochage des Push-Pull Hooking support for Push-Pull
5	1	102 500 490 Z	Rondelle D:75-40,5mm - Ep:10mm Washer D:75-40,5mm - Tk:10mm
6	1	102 906 800	Flèche Boom
7	1	102 906 900	Axe D:70mm - Lg:375mm Axle D:70mm - Lg:375mm
8	1	107 406 790	Axe D:40mm - Lg:340mm Axle D:40mm - Lg:340mm
9	2	806 300 800 Z	Goupille elastique 8 - 60 Roll pin 8 - 60
10	1	810 101 700	Tube pour notice d'utilisation Tube for instructions manual
11	3	VI 16 03	Vis TRCC M8x 25 - 8.8 ZNBL Screw TRCC M8x 25 - 8.8 ZNBL
12	2	VI 31 11	Vis H M16x 70 - 8.8 ZNBL Screw H M16x 70 - 8.8 ZNBL
13	4	VI 40 04	Vis H M10x 30 - 8.8 ZNBL Screw H M10x 30 - 8.8 ZNBL
14	12	VI 40 11	Vis H M10x 20 - 8.8 ZNBL Screw H M10x 20 - 8.8 ZNBL
15	3	VJ 320	Ecrou frein std H M 8 - 8 ZNBL Nyloc nut std H M 8 - 8 ZNBL
16	4	VJ 321	Ecrou frein std H M 10 - 8 ZNBL Nyloc nut std H M 10 - 8 ZNBL
17	2	VJ 324	Ecrou frein std H M 16 - 8 ZNBL Nyloc nut std H M 16 - 8 ZNBL
18	3	VK 502	Rondelle plate MU8 ZNBL Flat washer MU8 ZNBL
19	6	VM 201	Graisseur droit - M8, pas125 Grease nipple - M8, thread125
20	6	VM 215	Chapeau de protection de graisseur Protection hat for grease nipple



Châssis supérieur Upper chassis



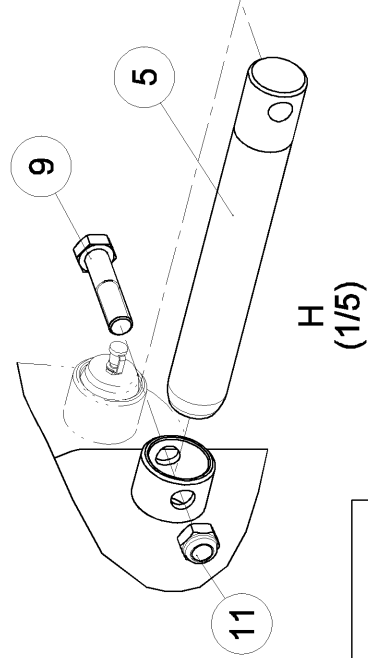
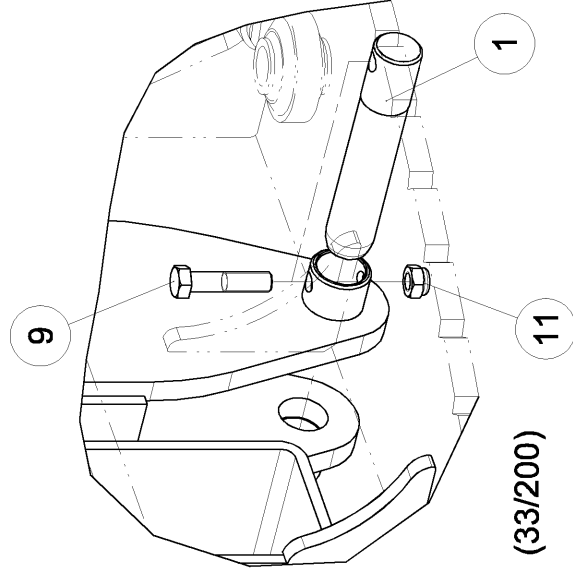
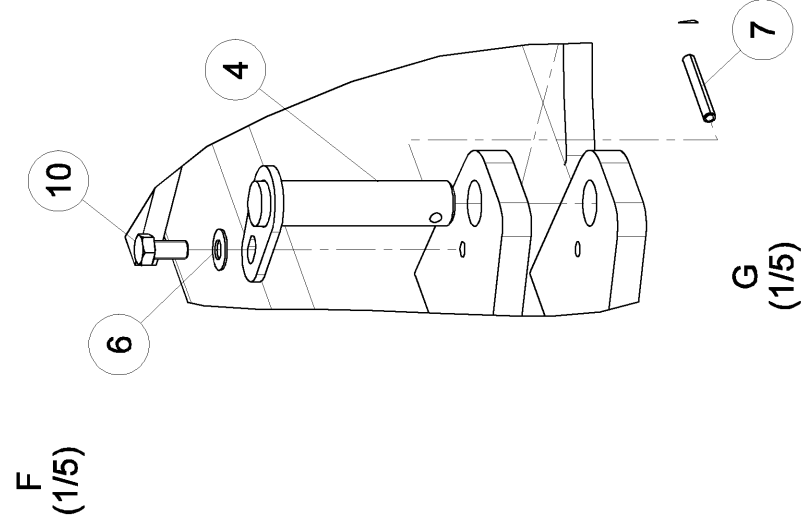
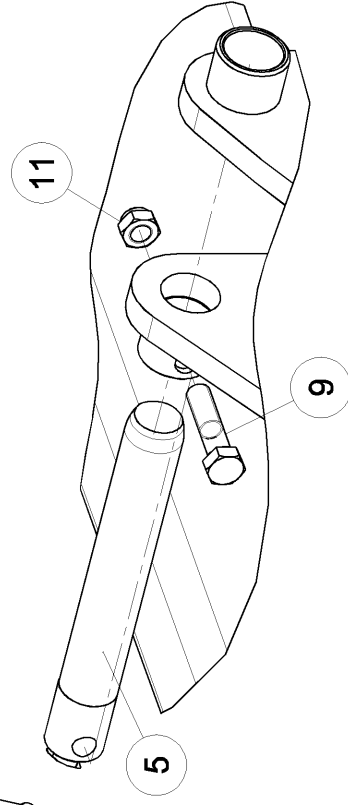
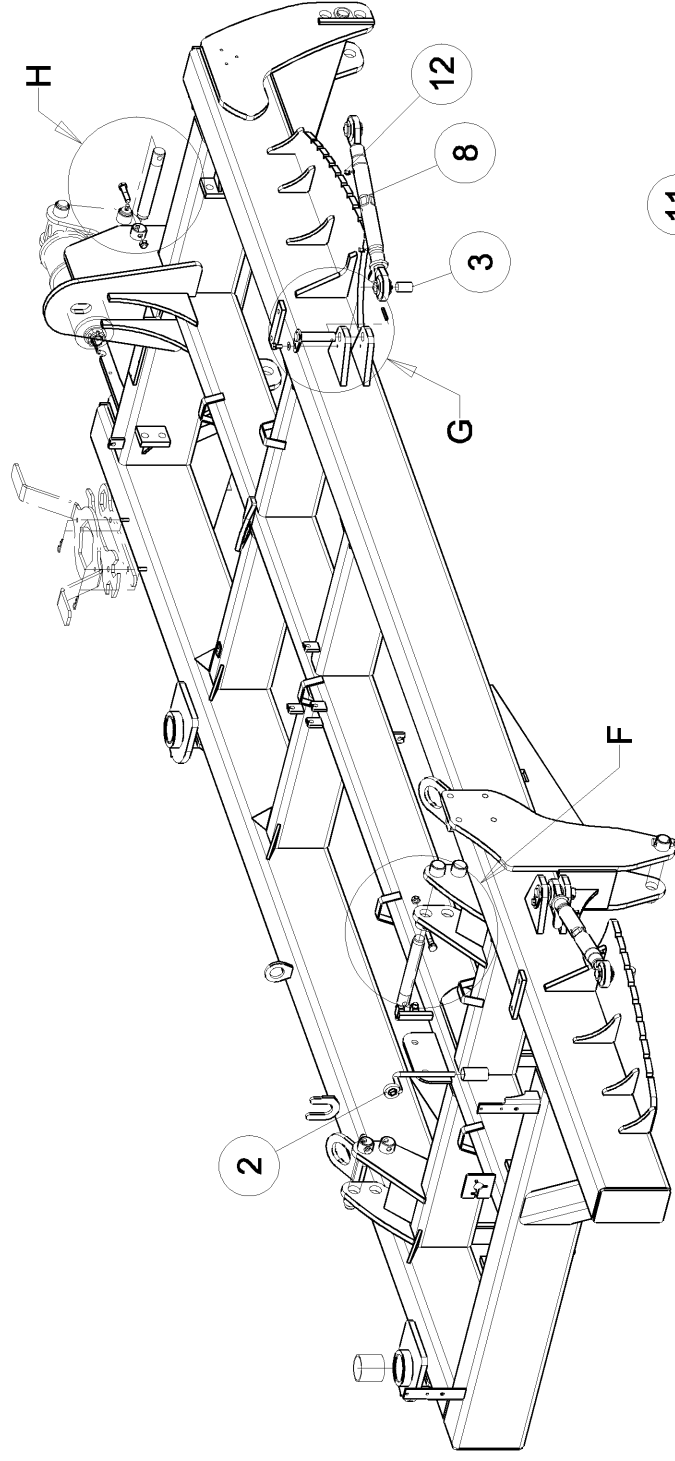
Repere	Quantite	Reference	Designation
1	2	060 000 290	Axe D:40mm - Lg:265mm Axle D:40mm - Lg:265mm
2	1	102 700 290	Clé de serrage M65 Clamping key M65
3	2	107 207 600	Axe D:40mm - Lg:220mm Axle D:40mm - Lg:220mm
4	1	109 501 800	Châssis central Central chassis
5	4	806 300 800 Z	Goupille elastique 8 - 60 Roll pin 8 - 60
6	4	807 000 500	Rivet "Pop" 3x16 Rivet "pop" alu Dia 3x16
7	4	850 103 086	Bague acier D:90x80 - Lg:80mm Steel bush D:90x80 - Lg:80mm
8	1	850 107 394	Clé pour bouchon d'essieu Key for wheel axle's cap
9	1	850 109 492	Clé de réglage universelle Universal key for setting
10	1	UI 2079	Plaque d'identification Identification plate
11	6	VI 31 11	Vis H M16x 70 - 8.8 ZNBL Screw H M16x 70 - 8.8 ZNBL
12	6	VJ 324	Ecrou frein std H M 16 - 8 ZNBL Nyloc nut std H M 16 - 8 ZNBL
13	2	VL 001	Goupille "Beta" - 3, Z R Clip - 3, Z
14	2	VM 201	Graisseur droit - M8, pas125 Grease nipple - M8, thread125
15	9	VM 215	Chapeau de protection de graisseur Protection hat for grease nipple



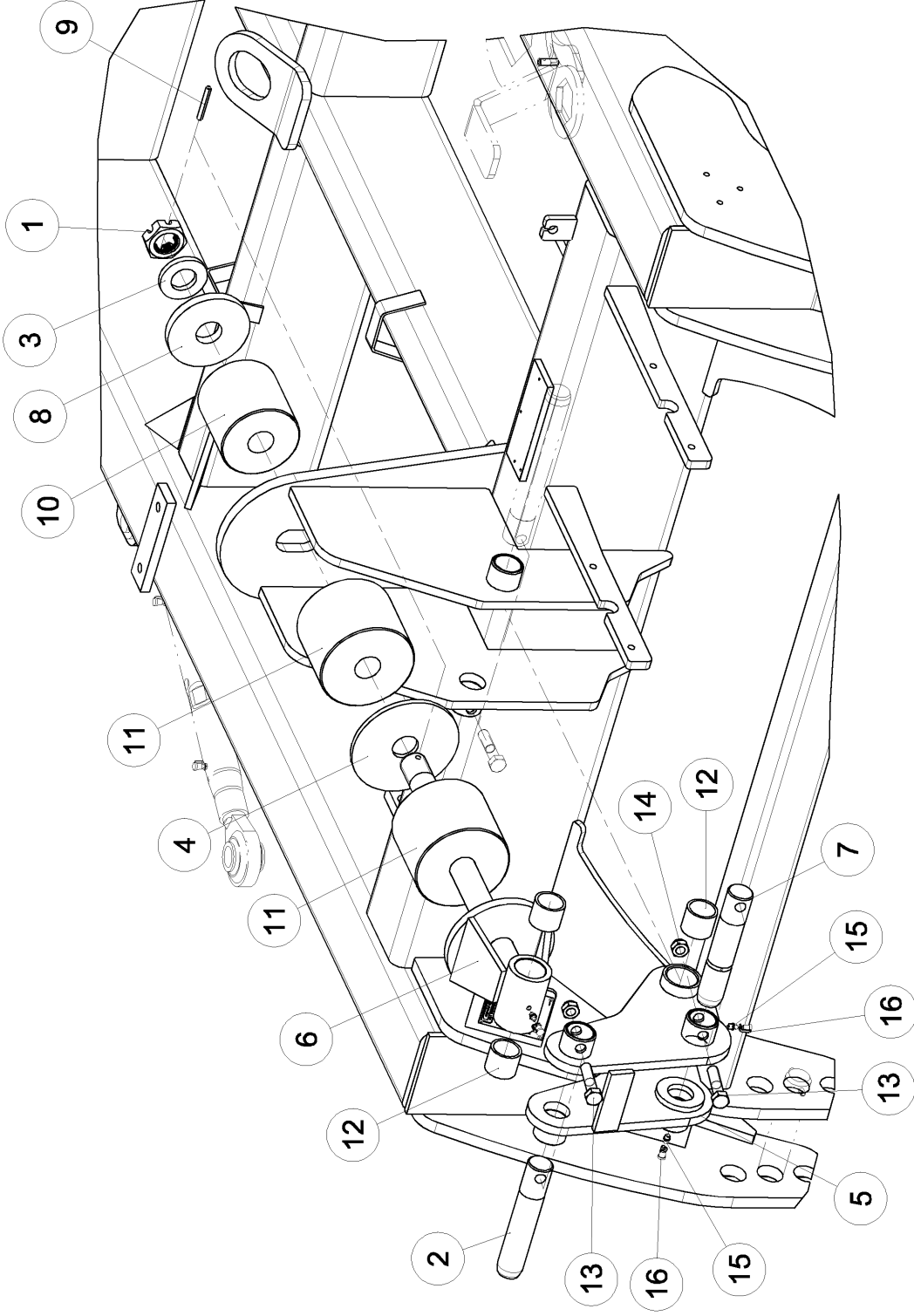
Châssis supérieur Upper chassis



Repere	Quantite	Reference	Designation
1	1	060 100 390	Axe D:40mm - Lg:210mm Axle D:40mm - Lg:210mm
2	1	104 616 500	Clé de vérin à butée hydraulique Key for ram with hydraulic stopping
3	2	104 701 690	Bague de réduction 32/30.5mm Reduction ring 32/30.5mm
4	2	107 201 700	Axe D:30mm - Lg:135mm Axle D:30mm - Lg:135mm
5	3	107 406 490	Axe D:40mm - Lg:285mm Axle D:40mm - Lg:285mm
6	2	804 200 100	Rondelle contact M12Z Washer M12 Galvanized
7	4	806 300 800 Z	Goupille elastique 8 - 60 Roll pin 8 - 60
8	2	850 100 188	3ème point D:32mm - Lg:485mm 3rd point link D:32mm - Lg:485mm
9	6	VI 31 11	Vis H M16x 70 - 8.8 ZNBL Screw H M16x 70 - 8.8 ZNBL
10	2	VI 41 03	Vis H M12x 25 - 8.8 ZNBL Screw H M12x 25 - 8.8 ZNBL
11	6	VJ 324	Ecrou frein std H M 16 - 8 ZNBL Nyloc nut std H M 16 - 8 ZNBL
12	9	VM 215	Chapeau de protection de graisseur Protection hat for grease nipple



Châssis supérieur Upper chassis

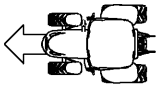


Repere	Quantite	Reference	Designation
1	1	030 300 690Z	Ecrou HM 40 x 2.5 CI 8.8 Z Nut HM 40 x 2.5 CI 8.8 Z
2	2	060 100 390	Axe D:40mm - Lg:210mm Axle D:40mm - Lg:210mm
3	1	102 500 490	Rondelle D:75-40,5mm - Ep:10mm Washer D:75-40,5mm - Tk:10mm
4	1	104 603 790	Rondelle D:170-41mm - Ep:8mm Washer D:170-41mm - Tk:8mm
5	1	106 902 900	Systeme souple Flexible system
6	1	106 903 000	Tige de compression Compression rod
7	1	107 406 890	Axe D:40mm - Lg:210mm Axle D:40mm - Lg:210mm
8	1	108 601 290	Rondelle D:130-41mm - Ep:15mm Washer D:130-41mm - Tk:15mm
9	1	806 300 800	Goupille elastique 8 - 60 Roll pin 8 - 60
10	1	850 100 183	Bloc amortisseur Dia125mm Shock absorber D:125mm - Lg:125mm
11	2	850 100 383	Bloc amortisseur D:150mm - Lg:125mm Shock absorber D:150mm - Lg:125mm
12	4	850 100 886	Bague Luytex D:48x40 - Lg:40mm Wearing bush D:48x40 - Lg:40mm
13	8	VI 31 11	Vis H M16x 70 - 8.8 ZNBL Screw H M16x 70 - 8.8 ZNBL
14	8	VJ 324	Ecrou frein std H M 16 - 8 ZNBL Nyloc nut std H M 16 - 8 ZNBL
15	5	VM 201	Graisseur droit - M8, pas125 Grease nipple - M8, thread125
16	9	VM 215	Chapeau de protection de graisseur Protection hat for grease nipple

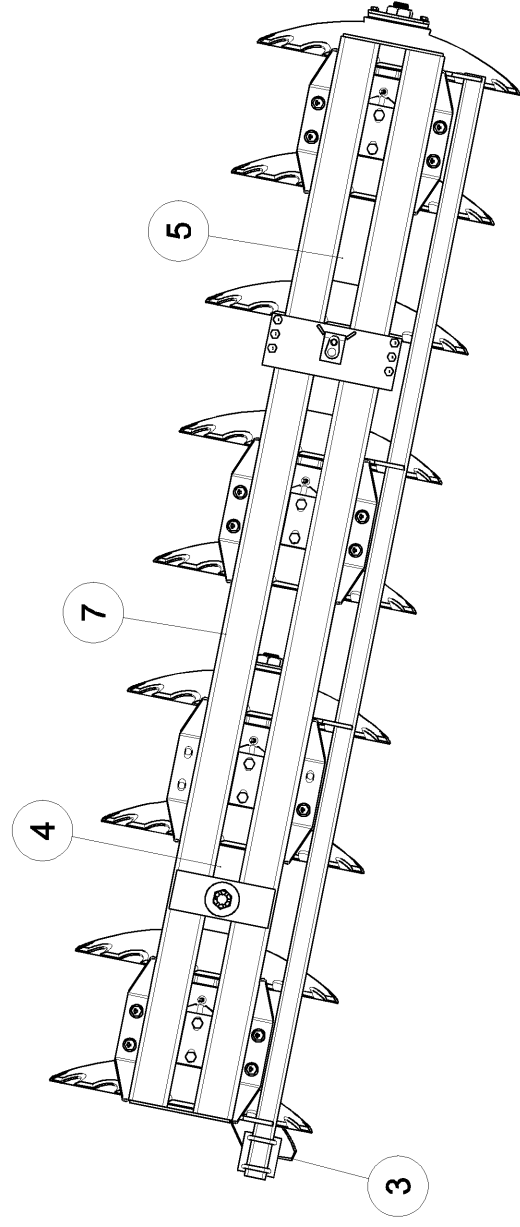
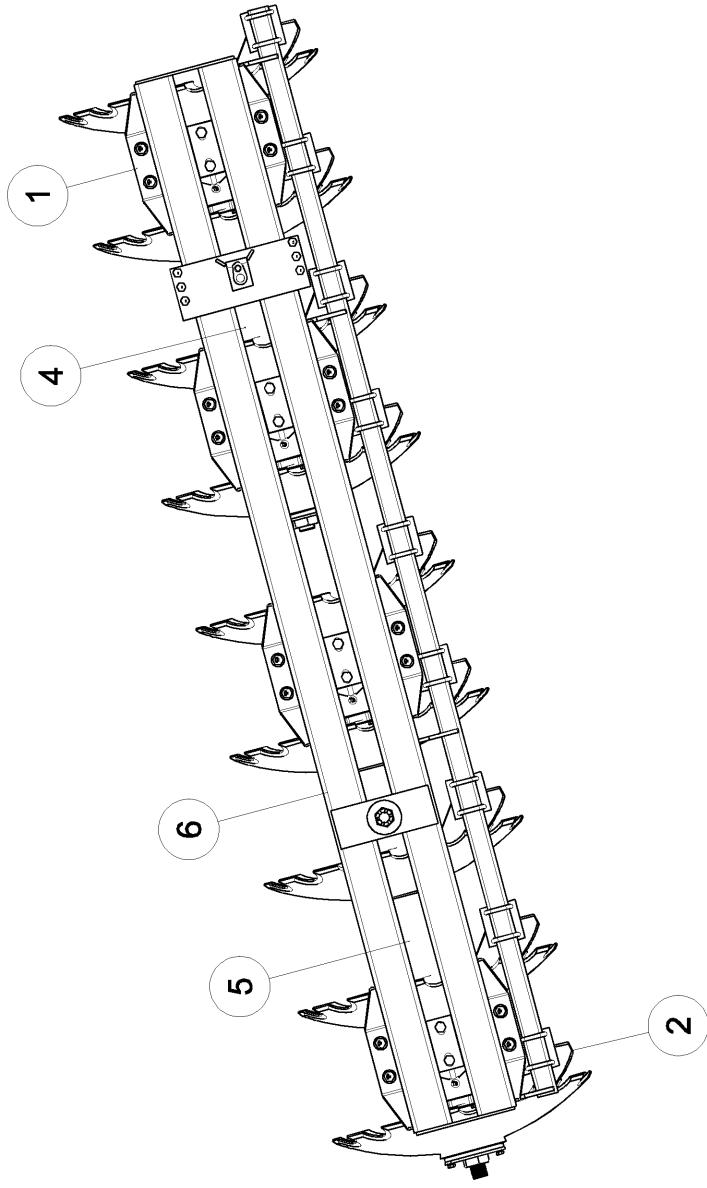


Châssis inférieur 1020-18/08-500

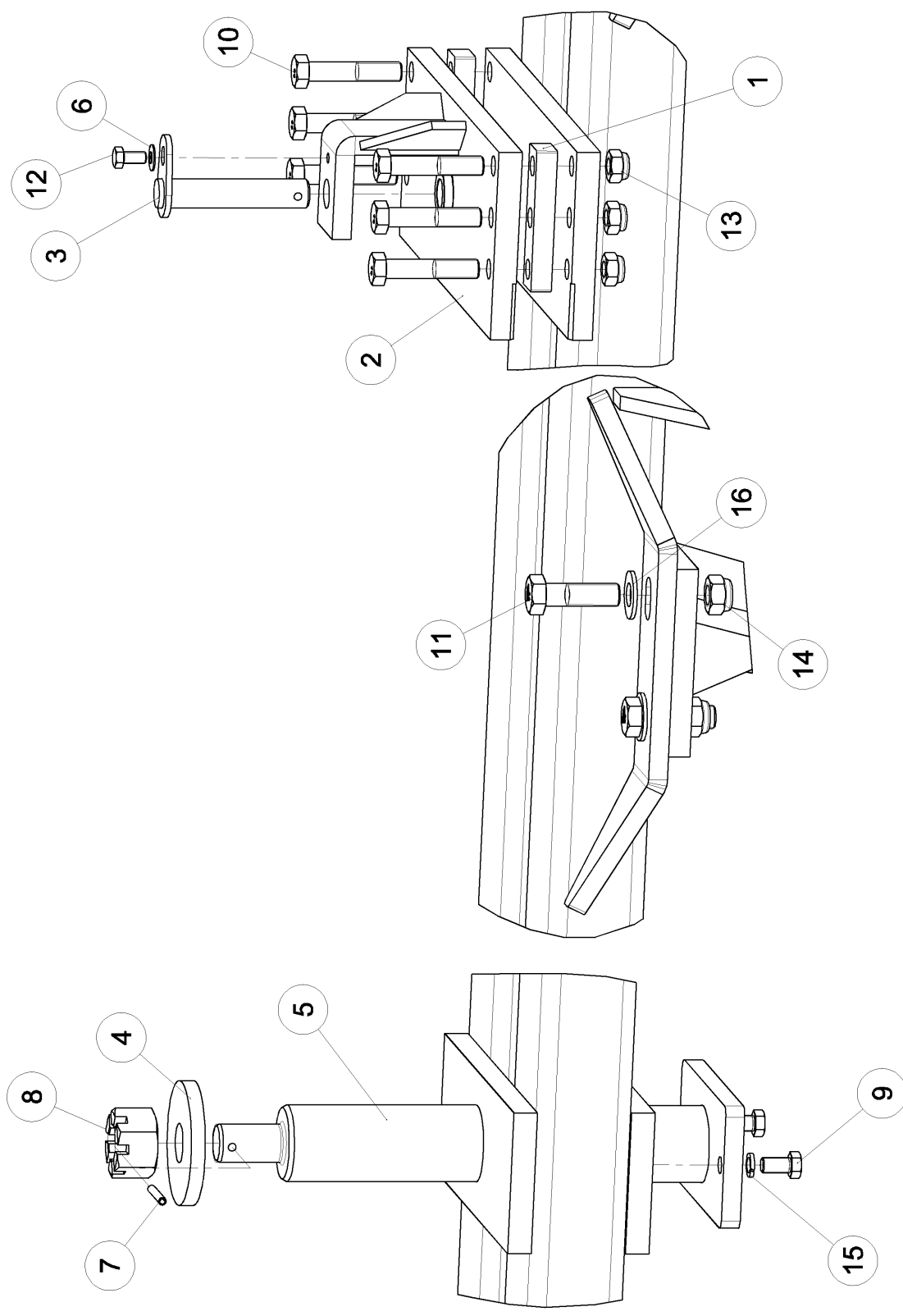
Inferior chassis 1020-18/08-500



Repere	Quantite	Reference	Designation
1	8	104 070 600	Chaise Bearing support
2	9	104 070 700	Décrottoir - Avant Scraper - Front
3	1	104 070 800	Décrottoir - Arrière Scraper - Rear
4	2	104 108 190	Arbre F2 - C:60mm - Lg:1700mm Shaft F2 - S:60mm - Lg:1700mm
5	2	104 115 990	Arbre F2 - C:60mm - Lg:2200mm Shaft F2 - S:60mm - Lg:2200mm
6	1	109 814 600	Poutre 18/500-8 - Av. Beam 18/500-8 - Frt.
7	1	109 814 700	Poutre 18/500-8 - Ar. Beam 18/500-8 - Rr.



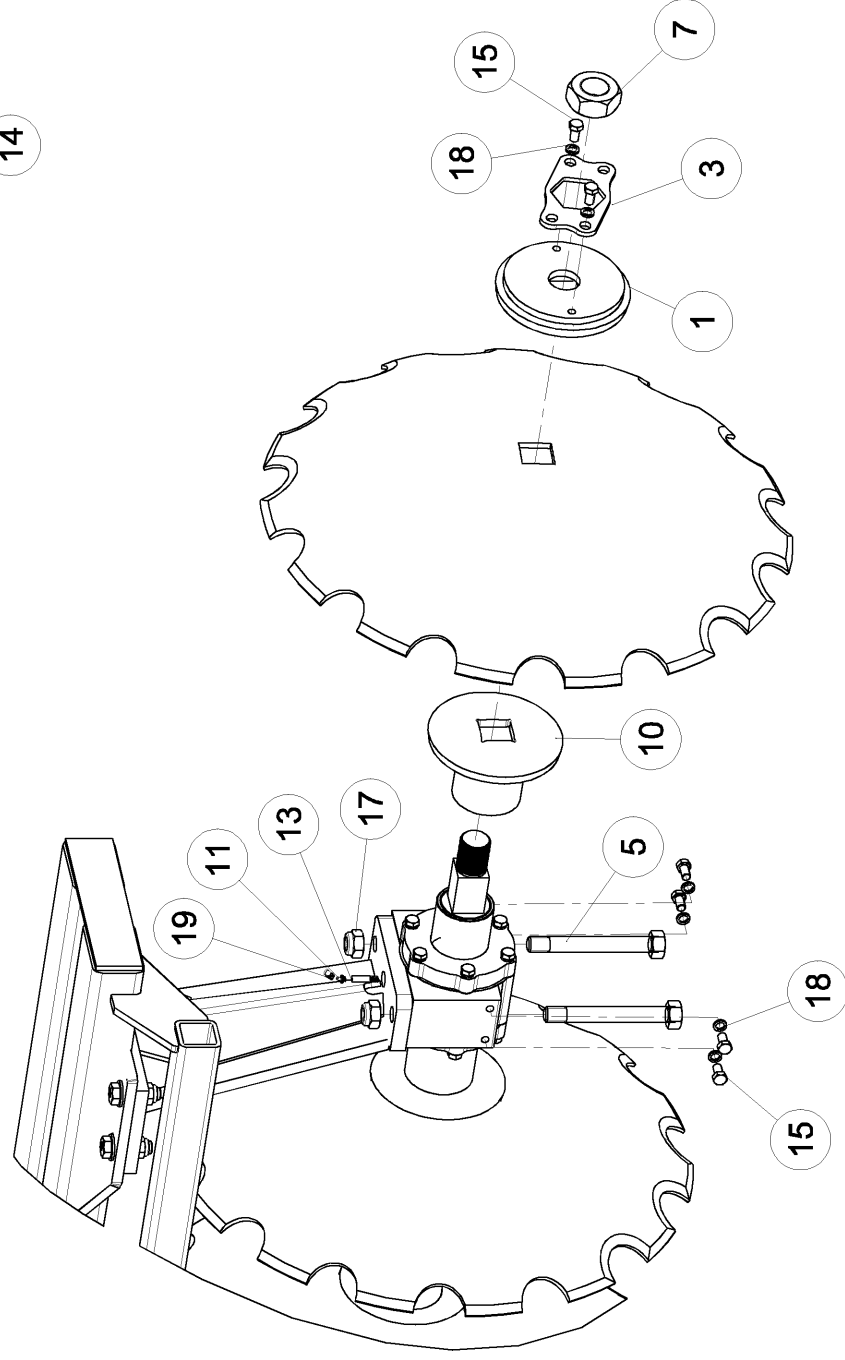
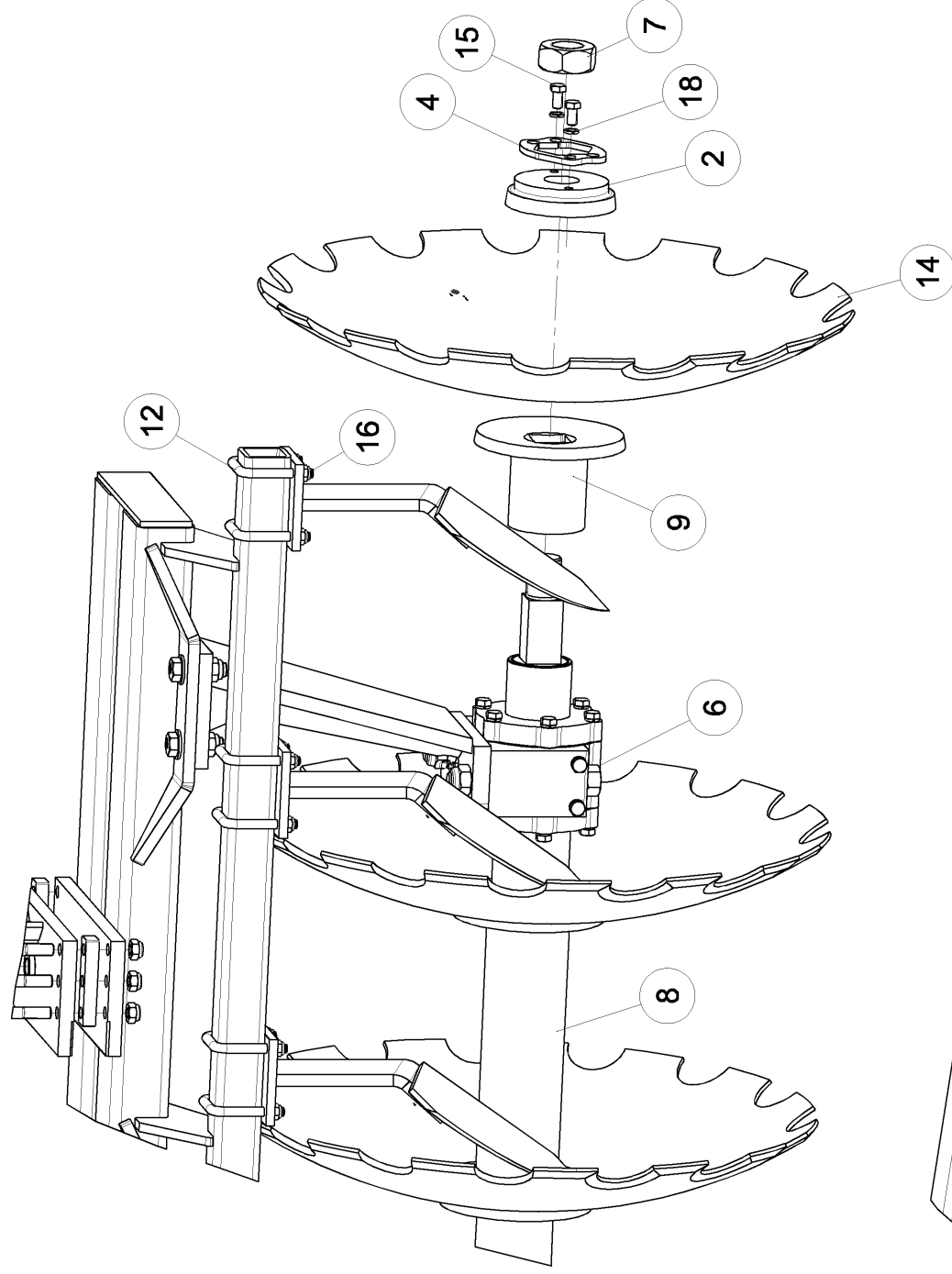
Châssis inférieur 1020-18/08-500
Inferior chassis 1020-18/08-500



Repere	Quantite	Reference	Designation
1	4	104 070 290	Cale de secteur Sector block
2	2	104 070 300	Support de secteur Sector support
3	2	104 070 400	Axe D:30mm - Lg:149mm Axle D:30mm - Lg:149mm
4	2	108 601 290	Rondelle D:130-41mm - Ep:15mm Washer D:130-41mm - Tk:15mm
5	2	109 815 000	Axe D:80mm - Lg:515mm Axle D:80mm - Lg:515mm
6	2	804 200 100	Rondelle contact M12Z Washer M12 Galvanized
7	2	806 300 800 Z	Goupille elastique 8 - 60 Roll pin 8 - 60
8	2	850 121 492	Ecrou HK M40x250 Nut HK M40x250
9	20	VI 31 03	Vis H M16x 30 - 8.8 ZNBL Screw H M16x 30 - 8.8 ZNBL
10	12	VI 33 10	Vis H M20x100 - 8.8 ZNBL Screw H M20x100 - 8.8 ZNBL
11	29	VI 35 37	Vis H M24x 80 - 8.8 ZNBL Screw H M24x 80 - 8.8 ZNBL
12	2	VI 41 03	Vis H M12x 25 - 8.8 ZNBL Screw H M12x 25 - 8.8 ZNBL
13	12	VJ 327	Ecrou frein std H M 20 - 8 ZNBL Nyloc nut std H M 20 - 8 ZNBL
14	29	VJ 331	Ecrou frein std H M 24 - 8 ZNBL Nyloc nut std H M 24 - 8 ZNBL
15	20	VK 306	Rondelle "Grower" W16 Washer "Grower" W16
16	29	VK 510	Rondelle plate MU24 ZNBL Flat washer MU24 ZNBL

Châssis inférieur 1020-18/08-500

Inferior chassis 1020-18/08-500

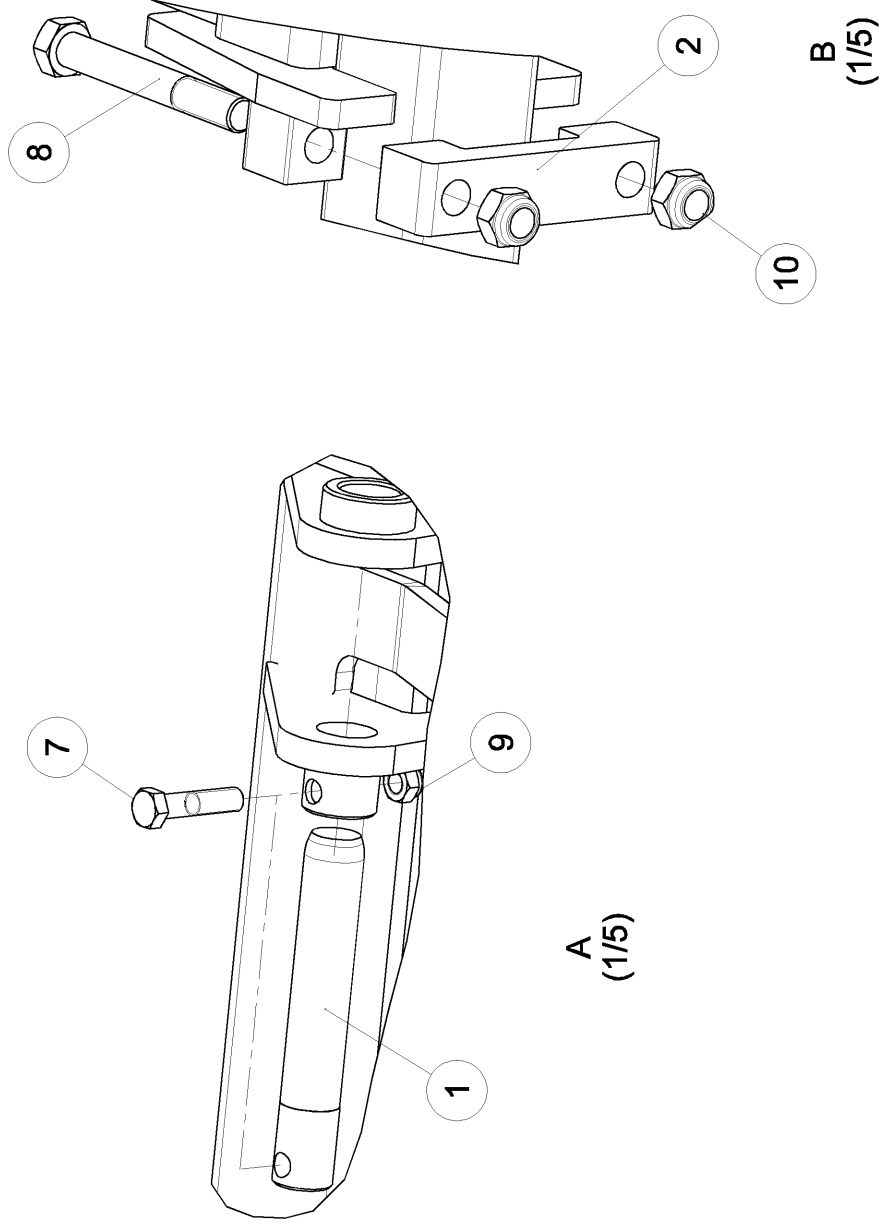
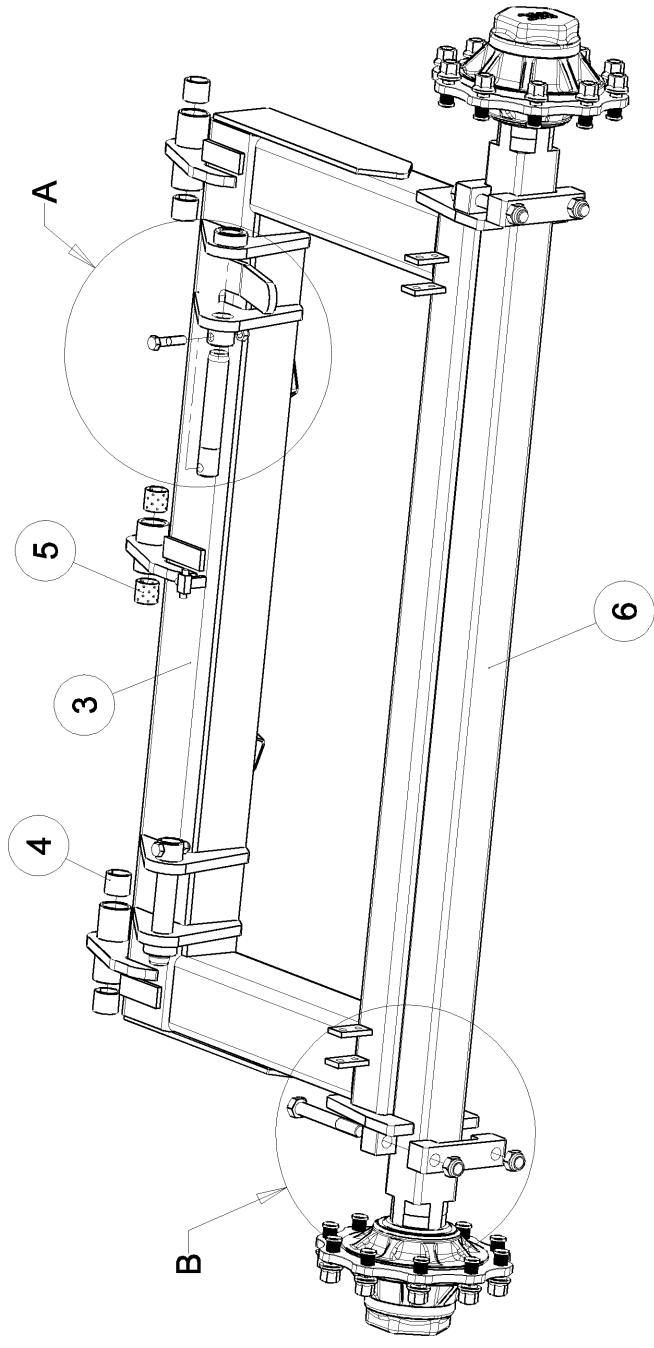


Repere	Quantite	Reference	Designation
1	4	104 007 400	Flasque bout d'arbre C60 - Conc. Shaft flange S:60 - Conc.
2	4	104 007 500	Flasque bout d'arbre C60 - Conv. Shaft flange S:60 - Conv.
3	4	104 007 690	Arretoir Ecrou Hex93 Retainer hex nut 93
4	4	104 007 790	Arretoir Ecrou Hex93 Retainer hex nut 93
5	16	104 008 200	Boulon de chaise C60 M30x250 Bolt for bearing support C60 M30x250
6	8	104 045 700	Palier C60 M:370mm Bearing S60 M:370mm
7	8	104 046 090	Ecrou HU M58 8 ZNBL DIN 9834 Nut HU M58 8 ZNBL DIN 9834
8	6	104 071 000	Bobine C:60mm - P500 Spacer C:60mm - P500
9	8	108 931 000	1/2 bobine P500 - concave 1/2 spacer P500 - concave
10	8	108 931 100	1/2 bobine P500 - convexe 1/2 spacer P500 - convex
11	8	807 300 400	Graisseur coudé 45° M10x150Z Grease nipple 45° M10x150
12	20	850 100 577	Etrier M16 80x80 Clamp M16 80x80
13	8	850 104 592	Rallonge de graisseur Nipple extension
14	18	851 004 098	Disque TC 60 1020 Ep.12 - Crênelé Disc SH 60 1020 Tk.12 - Scallop
15	52	VI 31 03	Vis H M16x 30 - 8.8 ZNBL Screw H M16x 30 - 8.8 ZNBL
16	40	VJ 324	Ecrou frein std H M 16 - 8 ZNBL Nyloc nut std H M 16 - 8 ZNBL
17	16	VJ 334	Ecrou frein std H M 30 - 8 ZNBL Nyloc nut std H M 30 - 8 ZNBL
18	148	VK 306	Rondelle "Grower" W16 Washer "Grower" W16
19	8	VM 215	Chapeau de protection de graisseur Protection hat for grease nipple

Train porteur
Wheel carrier



Repere	Quantite	Reference	Designation
1	2	104 607 890	Axe D:40mm - Lg:240mm Axle D:40mm - Lg:240mm
2	2	104 903 403	Bride d'essieu carré de 100mm Counter-flange (wheels axle lock)
3	1	109 602 600	Train porteur - C:100 Wheel carrier - S:100
4	4	850 102 186	Bague acier D:40x48mm - Lg=40mm Bush steel D:40x48mm - Lg=40mm
5	2	851 001 299	Coussinet 40x44x40mm Bush 40x44x40mm
6	1	851 003 894	Essieu 1010 NF - V:2300mm Wheel axle 1010 NB - W:2300mm
7	2	VI 31 11	Vis H M16x 70 - 8.8 ZNBL Screw H M16x 70 - 8.8 ZNBL
8	4	VI 35 16	Vis H M24x180 - 8.8 ZNBL Screw H M24x180 - 8.8 ZNBL
9	2	VJ 324	Ecrou frein std H M 16 - 8 ZNBL Nyloc nut std H M 16 - 8 ZNBL
10	4	VJ 331	Ecrou frein std H M 24 - 8 ZNBL Nyloc nut std H M 24 - 8 ZNBL

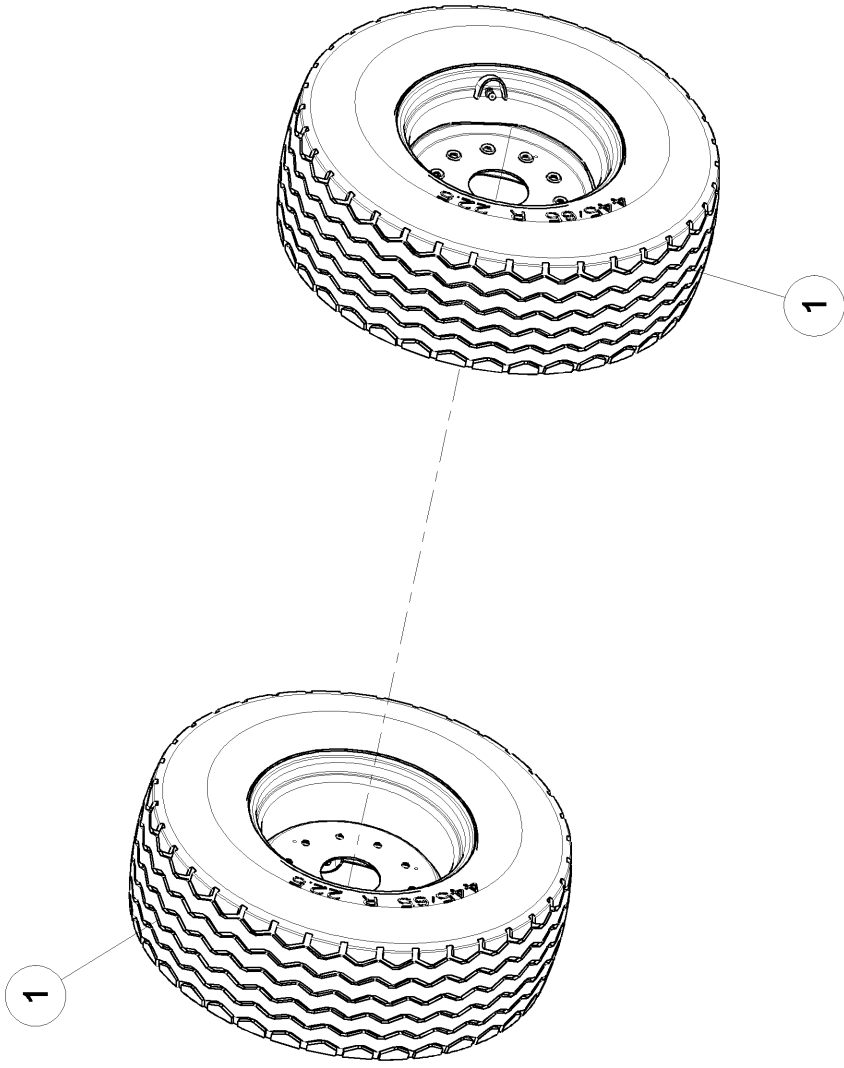




2 Roues 18 x 22.5 - 10 Troux
2 Wheels 18 x 22.5 - 10 Holes

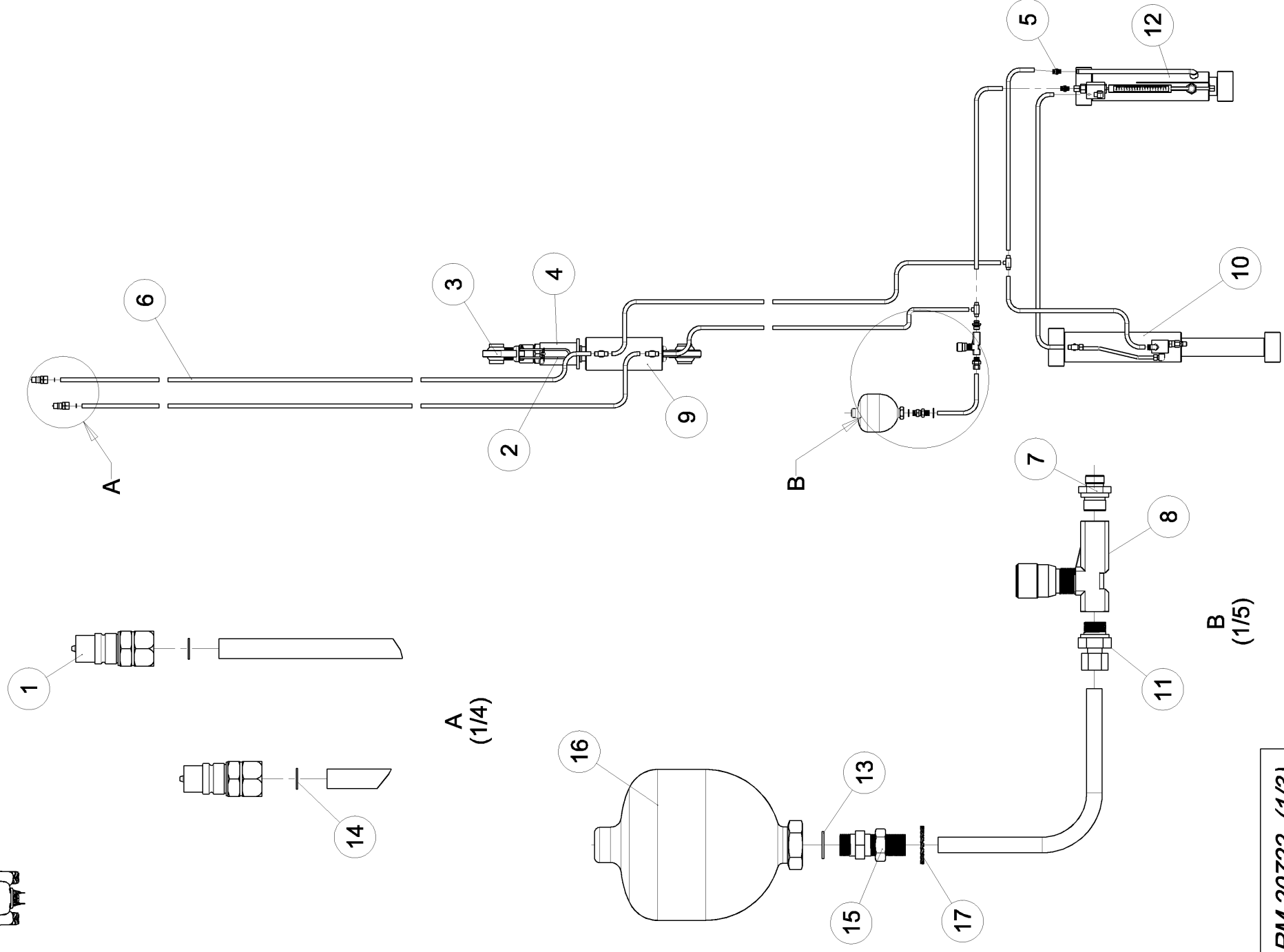


<i>Repere</i>	<i>Quantite</i>	<i>Reference</i>	<i>Designation</i>
1	2	850 104 794G	Roue 18 x 22,5 - 10 Troux Wheel 18 x 22,5 - 10 Holes





Kit hydraulique Hydraulic kit



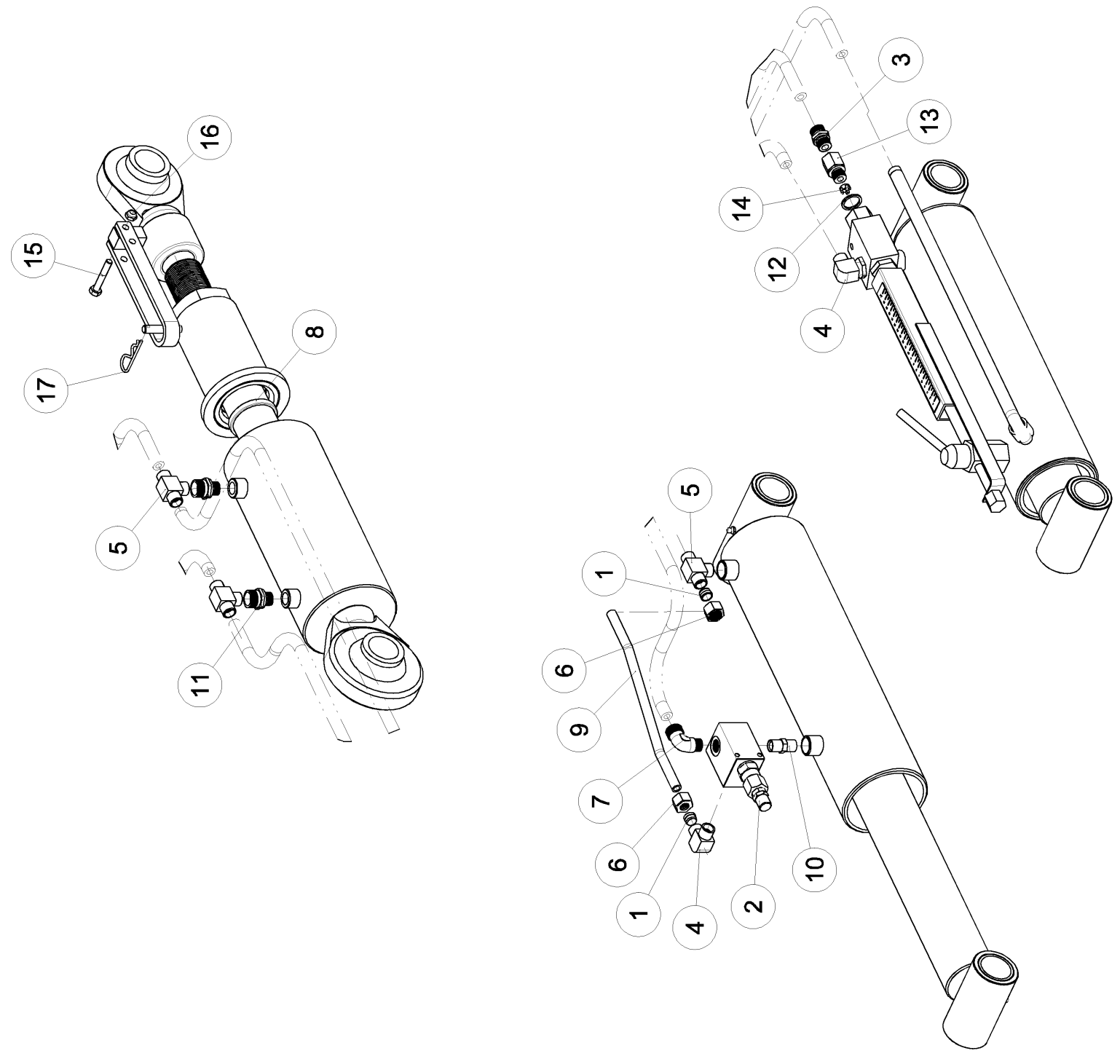
Repere	Quantite	Reference	Designation
1	2	1 122 393	Valve a pousser mâle M18 x 150 Push-pull ventitl M18x150
2	1	015 000 490	Bras de réglage butée de vérin flèche Maneuvering arm for stopping of drawbar
3	1	060 002 700	Rotule D:40mm vérin de flèche Rotule D:40mm for drawbar cylinder
4	1	107 205 200	Butée vérin de flèche 110x55 Stop drawbar cylinder 110x55
5	2	850 109 793	Union 4A12 - 12x17 mâle Union 4A12 - 12x17 male
6	1	850 126 079	Kit hydraulique - TP-Flèche Hydraulic kit - WVC-Boom
7	1	850 138 093	Union 4A12 - 15x21 Union 4A12 - 15x21
8	1	850 503 093	Limiteur débit 13 GF 1/2 ACAR Flow limiter 13 GF 1/2 ACAR
9	1	851 005 393	Vérin de 110x55C 150 EAF 600 Cylinder DE 110x55C 150 EAF 600
10	1	851 007 293	Verin 100x70C 300 EAF 530 Cylinder 100x70C 300 EAF 530
11	1	851 010 093	Adaptateur 5A12 - 15x21 Adapter 5A12 - 15x21
12	1	851 017 993	Verin 100x70C 300 EAF 530 - butée hyd. Cylinder 100x70C 300 EAF 530 - Hyd. stop
13	1	851 021 293	Joint cuivre D:21mm Copper washer D:21mm
14	2	851 021 993	Joint cuivre Ø16mm Copper seal Ø16mm
15	1	851 030 293	Adaptateur mâle 2x1/2 Male adapter 2x1/2
16	1	851 055 293	Accumulateur 1.4 l. tare 150 bars Accumulator 1.4 l. set 150 bars
17	1	VK 133	Rondelle à dents D:20mm Errated washer D:20mm

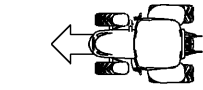


Kit hydraulique
Hydraulic kit



Repere	Quantite	Reference	Designation
1	2	850 101 193	Olive Ø12mm Crimping bushing Ø12mm
2	1	850 104 793	Limiteur de pression LP3/8 4OL 3/8 Pressure limiter LP3/8 4OL 3/8
3	2	850 109 793	Union 4A12 - 12x17 mâle Union 4A12 - 12x17 male
4	2	850 110 493	Coude Mâle 12L 3/8 Bend 12L 3/8 male
5	3	850 110 793	Te mâle 11A12 - 12x17 Male Té 11A12 - 12x17
6	2	850 111 593	Ecrou 2A12 Nut 2A12
7	1	850 501 993	Coude male 8A15 - 12x17 Elbow 8A15 - 12x17
8	1	851 002 099	Joint à lèvres 55x63x0.7 Seal lips 55x63x0.7
9	1	851 009 993	Tube métrique 9x12 Metric tube 9x12
10	1	851 018 793	Union double 3/8 Double union 3/8
11	2	851 018 993	Union 4 à15 12-17 Union 4 to15 12-17
12	2	851 021 293	Joint cuivre D:21mm Copper washer D:21mm
13	1	851 027 293	Corps de limiteur 3/8 Body of limiter 3/8
14	1	851 027 393	Pastille de limiteur de pression Pressure limiter pellet
15	1	VI 27 10	Vis H M8x 50 - 8.8 ZNBL Screw H M8x 50 - 8.8 ZNBL
16	1	VJ 320	Ecrou frein std H M 8 - 8 ZNBL Nyloc nut std H M 8 - 8 ZNBL
17	1	VL 001	Goupille "Beta" - 3, Z R Clip - 3, Z

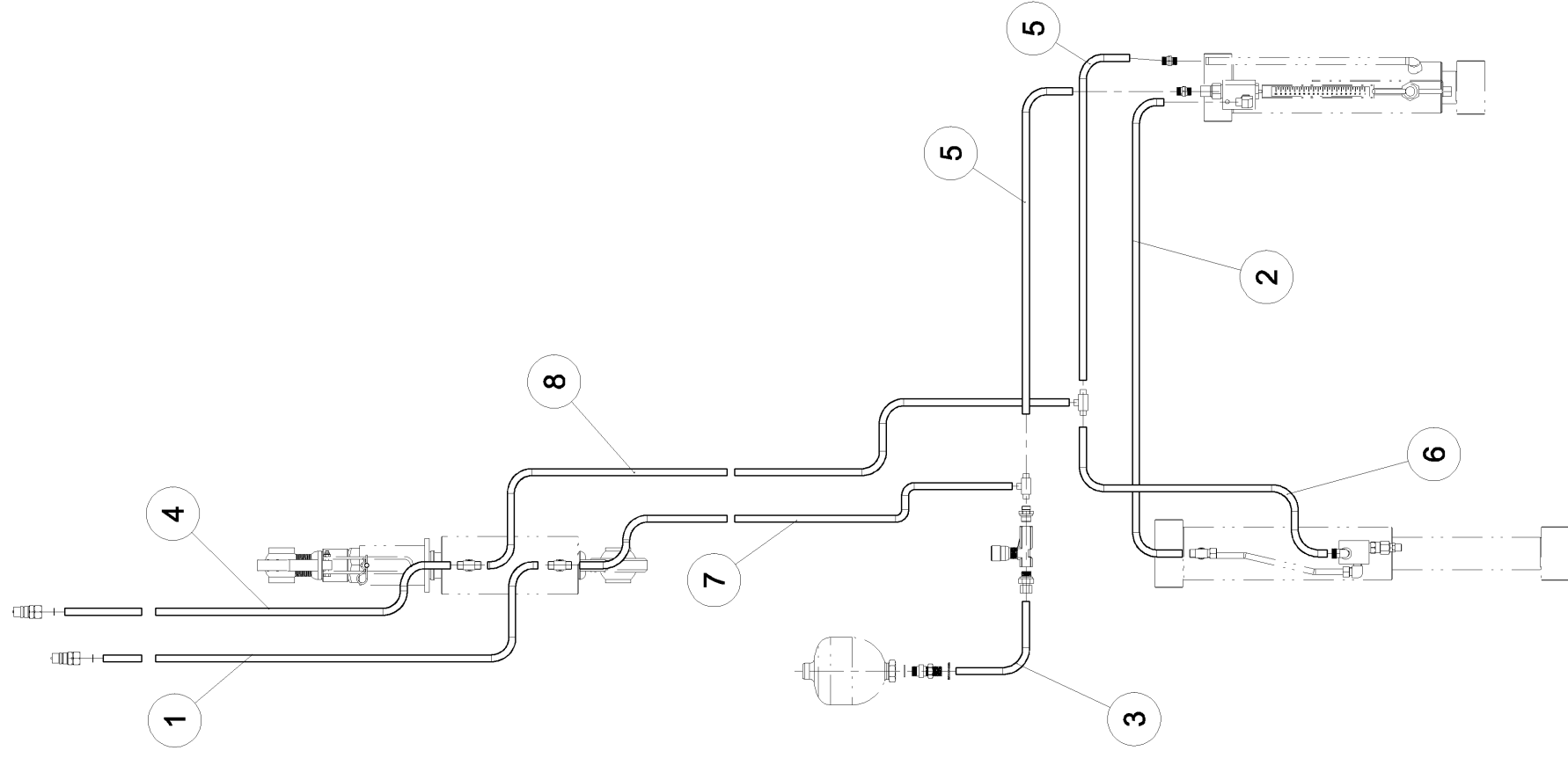


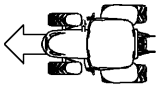


Kit hydraulique
Hydraulic kit



Repere	Quantite	Reference	Designation
1	1	850 116 175	Flexible hydraulique - Lg:5800mm Hydraulic hose - Lg:5800mm
2	1	850 116 975	Flexible hydraulique - Lg:1600mm Hydraulic hose - Lg:1600mm
3	1	850 119 675	Flexible hydraulique - Lg:350mm Hydraulic hose - Lg:350mm
4	1	850 151 875	Flexible hydraulique - Lg:5600mm Hydraulic hose - Lg:5600mm
5	2	850 152 075	Flexible hydraulique - Lg:800mm Hydraulic hose - Lg:800mm
6	1	850 152 175	Flexible hydraulique - Lg:1000mm Hydraulic hose - Lg:1000mm
7	1	850 152 275	Flexible hydraulique - Lg:4100mm Hydraulic hose - Lg:4100mm
8	1	850 152 375	Flexible hydraulique - Lg:4400mm Hydraulic hose - Lg:4400mm

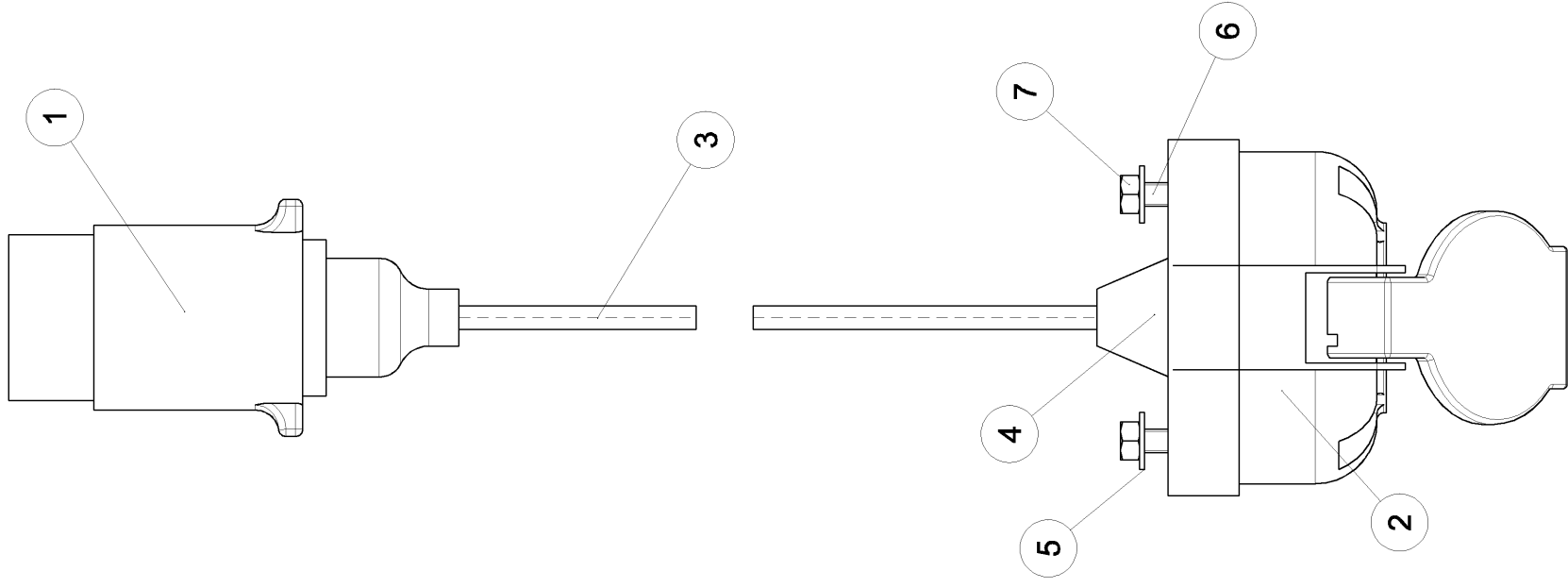




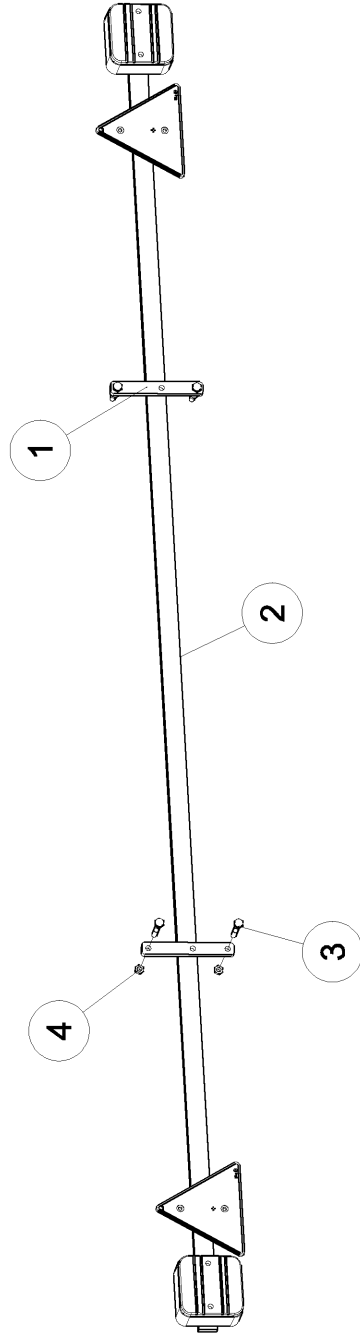
Kit électrique Electrical kit



Repere	Quantite	Reference	Designation
1	1	850 100 385	Prise électrique 7 plots mâle Male electrical outlet
2	1	850 101 785	Prise électrique 7 plots femelle Electrical outlet, 7 pin, female
3	1	850 104 485	Câble électrique 5x1mm ² - Lg:9500mm Electric wire 5x1mm ² - Lg:9500mm
4	1	850 104 585	Capuchon de prise électrique Hat of electric plug
5	3	M 245 005	Rondelle HU M5 8 ZNBL DIN934 Washer HU M5 8 ZNBL DIN934
6	3	VI 48 27	Vis CHc M5x 35 - 8.8 ZNBL Screw CHc M5x 35 - 8.8 ZNBL
7	3	VJ 601	Ecrou HU M5 - 8 ZNBL Nut HU M5 - 8 ZNBL



Signalisation standard Standard signaling



Repere	Quantite	Reference	Designation
1	2	104 706 390	Contre bride de rampe d'éclairage Flange of lighting bar
2	1	850 101 385	Rampe d'éclairage standard Standard lighting ramp
3	4	VI 27 10	Vis H M8x 50 - 8.8 ZNBL Screw H M8x 50 - 8.8 ZNBL
4	4	VJ 320	Ecrou frein std H M 8 - 8 ZNBL Nyloc nut std H M 8 - 8 ZNBL

Lubrication and greasing

i IMPORTANT:
The location of lubrication nipples depends on the various assemblies and options of your implement.

Regular lubrication of all moving parts ensures optimum implement operation and prolongs service life.

The lubricating nipples on the pivot points enable lubrication of the axles.

Before lubrication, clean the lubricating nipples from impurities that could cause blockage of the lubrication duct. If a lubricating nipple is clogged, worn or missing, dismantle it for cleaning or replace it.

Check that the grease can flow.

Be careful not to over-grease during lubrication. Excess grease, on contact with dust, forms an abrasive paste. Remove and wipe away any spillage or build-up of grease.

- Under normal working conditions, grease every **25** working hours.

SPARE PARTS

In order to ensure the reliable operation and long service life of your implement, only use original spare parts from the manufacturer. The use of any parts, other than those provided by the manufacturer automatically voids the warranty.

i IMPORTANT:
This implement carries a CE conformity mark. Use only new original replacement parts approved by the manufacturer.

- Ensure that replacement parts are correctly installed and positioned in the right direction. Check the implement each time a part is installed and after each maintenance operation to check correct operation.

Maintenance of discs and attachments

i IMPORTANT:
Protect the working surfaces of the discs against corrosion by applying a light coating of grease or oil.

- In particularly sticky soil conditions, apply a coat of liquid oil with a sprayer or from an aerosol can on the discs or attachments as soon as you leave the field.
- When placing in storage, applying a thicker coat of oil to the discs or attachments or spraying with dry graphite will slow down corrosion.

i IMPORTANT:
Check the location of lubrication nipples using the spare parts catalogue supplied with your implement.

- Under normal working conditions, grease every **12** working hours.

Location of lubricating nipples	Greasing interval (hours)
Side frame and roller articulated joints	50
Folding cylinder	10
Drawbar and lifting cylinder	10
Undercarriage and hitch articulated joint	10
Disc bearings	100
Rear roller bearings	12 (or 50ha)

i IMPORTANT:
It is important to top up the grease of the bearings after an initial period of operation (after half a day's work). Thereafter in accordance with the lubrication recommendations.

Precautions for storage

! CAUTION:
Never allow children to play around an implement if it is hitched to a tractor or in its storage area.

⚡ DANGER:
Never store agricultural machinery under a power line.


- Before unhitching implement for storage, make sure the storage area is level, clean and firm. Preferably store the implement in a dry and dust-free shelter.
- Store the implement in the working position.
- Never leave the implement in the transport position.
- Depressurise the hydraulic circuits by operating the tractor control levers (tractor engine switched off).
- Store the implement away from human activity.
- Store the implement in a dry, clean place. Retract or grease the cylinder rods to prevent corrosion.

Returning to operation and additional check

- After storage and before use, perform a full visual inspection of the implement (corrosion, hydraulic lines, tyre inflation, etc.).
- After the visual inspection, hitch the implement to a tractor and test its operation.

13.2 Tightening torques

- Observe the tightening torques of the components. For each element, the torques vary depending on the surface condition and the lubrication. All values in the table below are for information only.

Dimensions		Category 8.8			Category 10.9			Category 12.9			
Ø (mm)			N x m	kg x m	lb - ft	N x m	kg x m	lb - ft	N x m	kg x m	lb - ft
			M6		10	11.1	1.13	8.19	16.3	1.66	12.02
M8	13		27	2.75	19.92	39	3.97	28.78	46	4.69	33.94
M10	17	16	53	5.40	39.11	78	7.95	57.56	92	9.38	67.89
M12	19	18	92	9.38	67.89	136	13.87	100.36	159	16.21	117.34
M14	22	21	148	15.09	109.22	218	22.23	160.88	255	26.01	188.19
M16	24		232	24	171.21	341	34.78	251.65	399	40.69	294.46
M18	27	26	330	23.66	243.54	469	47.83	346.12	549	55.99	405.16
M20	30		471	48.04	347.59	667	68.03	492.24	781	79.66	576.37
M22	32	34	648	66.09	478.22	920	93.84	678.96	1077	109.85	794.82
M24	36		809	82.51	597.04	1148	117.09	847.22	1343	136.98	991.13
M27	41		1201	122.50	886.33	1706	174.01	1259.02	1997	203.69	1473.78
M30	46		1628	166.05	1201.46	2311	235.72	1705.51	2704	275.80	1995.55
M33		50	2216	226.03	1635.40	3148	321.09	2323.22	3684	375.76	2718.79
M36	55		2840	289.68	2095.92	4036	411.67	2978.56	4723	481.74	3485.57

1 Nm x m = 0.1019 kg x m

1 Nm x m = 0.738 lb x ft

1 kg x m = 9.81 N x m

1 lb x ft = 1.355 N x m

Notes / Notes / Anmerkung / Note / заметка



A series of horizontal dotted lines spanning the width of the page, intended for writing notes.

Notes / Notes / Anmerkung / Note / заметка



A series of horizontal dotted lines spanning the width of the page, intended for writing notes.



A l'épreuve du temps

gregoire-besson.com

GRÉGOIRE-BESSON FRANCE

49230 Montfaucon / Montigné-sur-Moine

FRANCE

☎ (+33) 2 41 64 72 67
☎ (+33) 2 41 64 67 73
✉ contactfr@gregoirebesson.fr
fr.gregoire-besson.com

GRÉGOIRE-BESSON UK LIMITED

Spalding Road - Bourne - Lincs. PE10 0AU.

UNITED KINGDOM

☎ +441778423787
☎ +441778394431
✉ enquiries@gregoire-besson.co.uk
gregoire-besson.co.uk

GRÉGOIRE-BESSON GMBH

Am Rabewerk 1 - 49152 Bad Essen

DEUTSCHLAND

☎ (0 54 72) 771 - 0
☎ (0 54 72) 771 - 195
✉ contactfr@gregoirebesson.fr
fr.gregoire-besson.com/de

GRÉGOIRE-BESSON ITALIA

Via dell'industria, 9-9/A-9/B - Monte Roberto (AN)

ITALY

☎ +39 0731-375970
☎ +39 0731-375990
✉ contact@agriway.it
agriway.it

GRÉGOIRE-BESSON CANADA INC

4480, Rue Martineau - St Hyacinthe (P. Québec) - J2R 1V1

CANADA

☎ (1) 450 799 56 15
☎ (1) 450 799 56 29
✉ info@gregoirebesson.ca
ca.gregoire-besson.com

GRÉGOIRE-BESSON POLSKA Sp.zo.o.

Kowanówko | ul. Obornicka 1a - 64-600 Oborniki

POLSKA

☎ 61 297 75 30
☎ 61 297 22 62
✉ gbesson@poczta.onet.pl
pl.gregoire-besson.com

ООО «ГРЕГУАР-БЕССОН ВОСТОК»

308006, г.Белгород, ул. Корочанская 132 А,

RUSSIA

☎ +7 (4722) 402-210
☎ +7 (4722) 402-210
✉ info@gbvostok.ru
ru.gregoire-besson.com

ТОВ «ГРЕГУАР-БЕССОН УКРАЇНА»

18028, Україна, Черкаська обл., м. Черкаси, вул. Рози Люксембург, буд. 202.

UKRAINE

☎ + 38 (0472) 71-28-23
☎ + 38 (0472) 71-28-23
✉ gregoirebesson.ua@yandex.ua
ru.gregoire-besson.com

GRÉGOIRE-BESSON CHINA

法国格力格爾-貝松公司 北京代表处 | 100025北京市朝阳区延静里中街3号长信大厦220室

CHINA

☎ 0086-10-65 08 06 40
☎ 0086-10-65 08 06 41
✉ gregoirebessonchina@126.com
cn.gregoire-besson.com