

# CATALOGUE PIÈCES DE RECHANGE SPARE PARTS CATALOG

FR  
EN

|  |  |  |  |  |  |  |  |
|--|--|--|--|--|--|--|--|
|  |  |  |  |  |  |  |  |
|--|--|--|--|--|--|--|--|

Machine number

|   |   |   |   |   |   |   |
|---|---|---|---|---|---|---|
| 1 | 2 | / | 2 | 0 | 1 | 8 |
|---|---|---|---|---|---|---|

Version

## Tetra 7501 L





### Important pour la commande de pièces de rechange

Lors de chaque commande de pièces, veuillez nous communiquer les données suivantes:

1. Type de la machine (gravé sur la plaque d'identification).
2. Numéro de série de la machine (gravé sur la Plaque d'identification et le bâti).
3. Numéro de pièce.
4. La quantité nécessaire de pièces de rechange.

### Important for ordering spare parts

Please give the following information whenever you order spare parts:

1. Type of the machine (stamped on type plate)
2. Serial number (stamped on type plate and frame)
3. Part number.
4. The required quantity of the spare parts.

#### Plaquette / Identification plate







## Sommaire

|  |    |
|--|----|
| Tetra 7501 L complet .....                             | 9  |
| Porte-outils L complet monté .....                     | 10 |
| Limite d'oscillation montée .....                      | 11 |
| Plaque de guidage montée .....                         | 12 |
| Axe court D60 7501 / 9001 monté latéralement .....     | 13 |
| Axe court D60 7501 / 9001 monté au milieu .....        | 14 |
| Cadre pré-assemblé 7501 L .....                        | 15 |
| Libérer mécaniquement monté .....                      | 17 |
| Butée monté .....                                      | 18 |
| Arrêt 7501 L monté .....                               | 19 |
| Cadre hydraulique monté .....                          | 20 |
| Support de stationnement arrière complet .....         | 21 |
| Roue latérale 185R14C paire .....                      | 22 |
| Tige de roue montée à gauche .....                     | 23 |
| Tige de roue montée à droite .....                     | 24 |
| Roue 185R14C .....                                     | 25 |
| Stockage sans boulons cannelé .....                    | 26 |
| Broches d'attelage Cat. 3 .....                        | 27 |
| Dent-élément de herse VEG-18 complet .....             | 28 |
| Dent VEG-18 complet .....                              | 29 |
| Dent-élément de herse complet .....                    | 30 |
| Dent debout raide 32x10 complet .....                  | 31 |
| Jeu de dents renforcés, élément de herse complet ..... | 32 |
| Dents VEG-16 complet .....                             | 33 |
| Vibra dent renforcées complet .....                    | 34 |
| Vibra dent avec Soc monté .....                        | 35 |
| Element dents droites renforcées complet .....         | 36 |
| Dent 32x12 avec soc complet .....                      | 37 |
| Rouleau denté pointu Tandem TillXtrem .....            | 38 |
| Kit rouleau denté pointu D270 TillXtrem .....          | 39 |
| Kit rouleau denté pointu D330 TillXtrem .....          | 40 |
| Set de couverture 6-kt. 270/190 .....                  | 41 |
| Set de couverture en acier 6-kt. 330/250 .....         | 42 |
| Herse L 2 chaîne monté .....                           | 43 |
| Herse pré-monté .....                                  | 44 |
| Frontier herse D7 .....                                | 45 |
| Station de stationnement montée .....                  | 46 |
| Élargi à gauche .....                                  | 47 |
| Élargi à droite .....                                  | 48 |
| Fixation monté .....                                   | 49 |
| Efface traces titulaire 7501 / 9001 monté .....        | 50 |

## Table of contents/ Sommaire

---

|   |    |
|---|----|
| Efface traces GG-5 cpl. ....                                | 51 |
| Efface traces GS-035 cpl. ....                              | 52 |
| Efface traces GG-011 cpl. ....                              | 53 |
| Efface traces á ressort GG-5 cpl. ....                      | 54 |
| Efface traces á ressort GS-035 cpl. ....                    | 55 |
| Efface traces á ressort GG-11 cpl. ....                     | 56 |
| Train denté 7501 L cpl. ....                                | 57 |
| Train denté section médiane cpl. ....                       | 58 |
| Train denté droit cpl. ....                                 | 59 |
| Train denté gauche cpl. ....                                | 60 |
| Ensemble de ressort gauche série 1 cpl. ....                | 61 |
| Ensemble de ressort gauche série 2 cpl. ....                | 63 |
| Train denté hydraulique 7501 L cpl. ....                    | 65 |
| Train denté hydraulique section médiane version 1 cpl. .... | 66 |
| Train denté hydraulique section médiane version 2 cpl. .... | 67 |
| Train denté hydraulique droit cpl. ....                     | 68 |
| Train denté hydraulique gauche cpl. ....                    | 69 |
| Ensemble de ressort série 4 cpl. ....                       | 70 |
| Ensemble de ressort série 5 cpl. ....                       | 72 |
| Hydraulique Train denté 7500 ....                           | 74 |
| Éclairage ....  | 75 |

## Table of contents

|   |    |
|---|----|
| Tetra 7501 L Seed bed harrow complete.....        | 9  |
| Tool carrier L complete .....                     | 10 |
| Oscillation limitation mounted .....              | 11 |
| Guide plate mounted.....                          | 12 |
| Axle short D60 7501 / 9001 side mounted.....      | 13 |
| Axle short D60 7501 / 9001 middle mounted.....    | 14 |
| Frame pre-assembled 7501 L .....                  | 15 |
| Release mechanically mounted .....                | 17 |
| Stopper mounted.....                              | 18 |
| Impact 7501 L mounted .....                       | 19 |
| Hydraulic frame mounted .....                     | 20 |
| Rear parking support complete .....               | 21 |
| Side wheel 185R14C 1 paire .....                  | 22 |
| Wheel stalk left mounted.....                     | 23 |
| Wheel stalk right mounted.....                    | 24 |
| Wheel 185R14C.....                                | 25 |
| Warehousing mounted .....                         | 26 |
| 3-Point headstock Cat.3 complete .....            | 27 |
| Gare harrowing tine field VEG-18 complete.....    | 28 |
| S-tine VEG-18 complete .....                      | 29 |
| Gare harrowing tine field complete .....          | 30 |
| Tine steep standing 32x10 complete .....          | 31 |
| Double spring tine, harrow section complete ..... | 32 |
| Tines VEG-16 mounted.....                         | 33 |
| Vibra tine reinforced complete .....              | 34 |
| Vibra tine with share mounted.....                | 35 |
| Element reinforced straight tines complete.....   | 36 |
| Vibra tine 32x12 with share complete .....        | 37 |
| Pointed toothed roller Tandem TillXtrem .....     | 38 |
| Kit Pointed toothed roller D270 TillXtrem.....    | 39 |
| Kit Pointed toothed roller D330 TillXtrem.....    | 40 |
| Set Cover Steel 6-kt. 270/190 .....               | 41 |
| Set Cover Steel 6-kt. 330/250 .....               | 42 |
| Harrow L 2-rows mounted.....                      | 43 |
| Harrow pre-assembled.....                         | 44 |
| Tine harrow border D7 complete.....               | 45 |
| Parking station mounted – harrow .....            | 46 |
| Widened to the left mounted .....                 | 47 |
| Widened to the right mounted .....                | 48 |
| Attachment mounted complete.....                  | 49 |
| Track eradicator holder 7501 / 9001 mounted ..... | 50 |

## Table of contents/ Sommaire

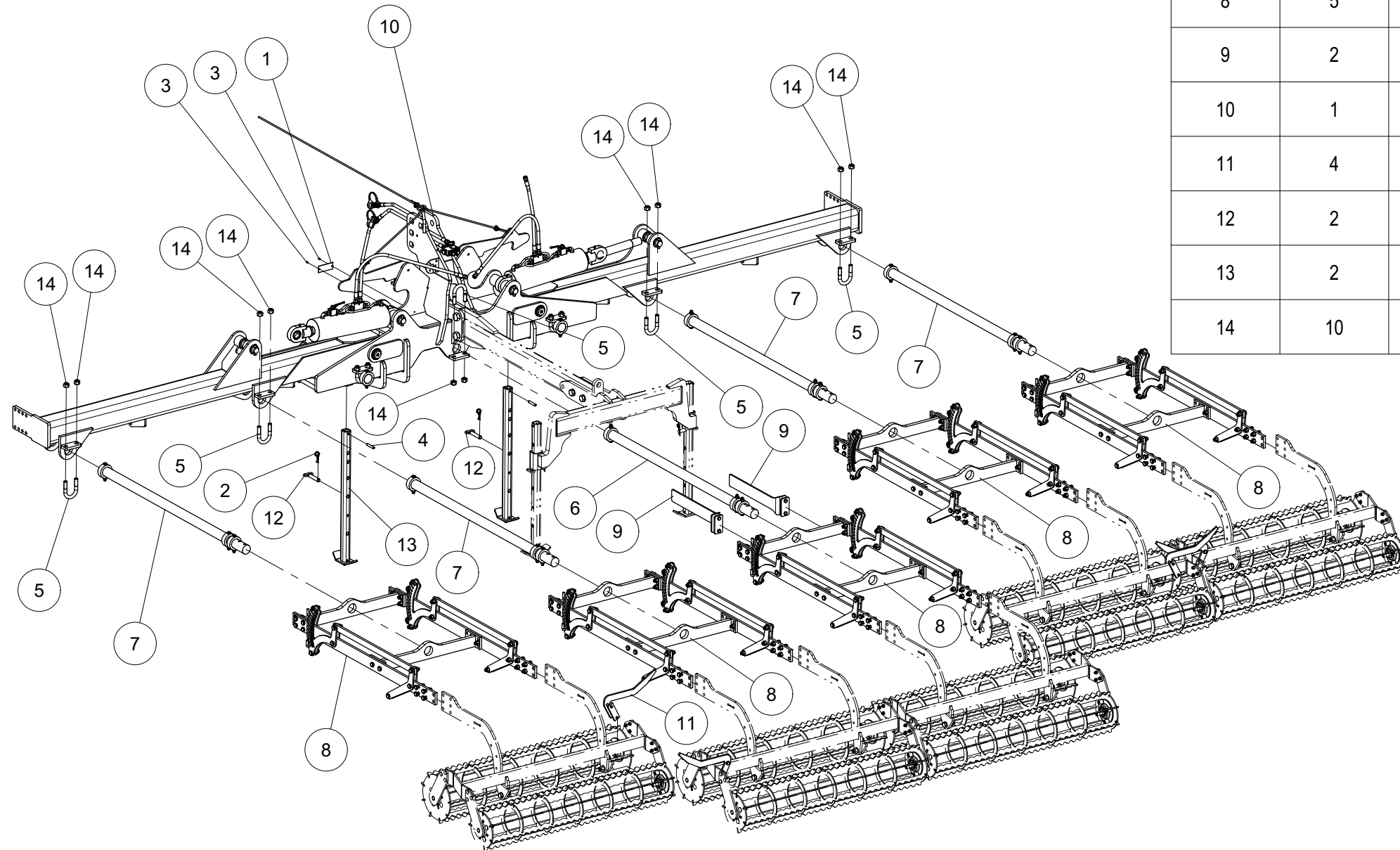
---

|  |    |
|--|----|
| Track eradicator GG-5 complete .....                       | 51 |
| Track eradicator GS-035 complete .....                     | 52 |
| Track eradicator GG-011 complete .....                     | 53 |
| Track eradicator spring mounted GG-5 complete .....        | 54 |
| Track eradicator spring mounted GS-035 complete .....      | 55 |
| Track eradicator spring mounted GG-011 complete .....      | 56 |
| Tine trailer 7501 L complete .....                         | 57 |
| Tine trailer midsection complete.....                      | 58 |
| Tine trailer right complete .....                          | 59 |
| Tine trailer left complete .....                           | 60 |
| Spring assembly left series 1 complete.....                | 61 |
| Spring assembly left series 2 complete.....                | 63 |
| Tine trailer hydraulic 7501 L complete .....               | 65 |
| Tine trailer hydraulic midsection version 1 complete ..... | 66 |
| Tine trailer hydraulic midsection version 2 complete ..... | 67 |
| Tine trailer hydraulic right complete .....                | 68 |
| Tine trailer hydraulic left complete.....                  | 69 |
| Spring assemble series 4 complete .....                    | 70 |
| Spring assemble series 5 complete .....                    | 72 |
| Hydraulic tine trailer 7500.....                           | 74 |
| Lighting .....   | 75 |



*Combiné de préparation 7501 L*

*Seed bed harrow 7501 L*

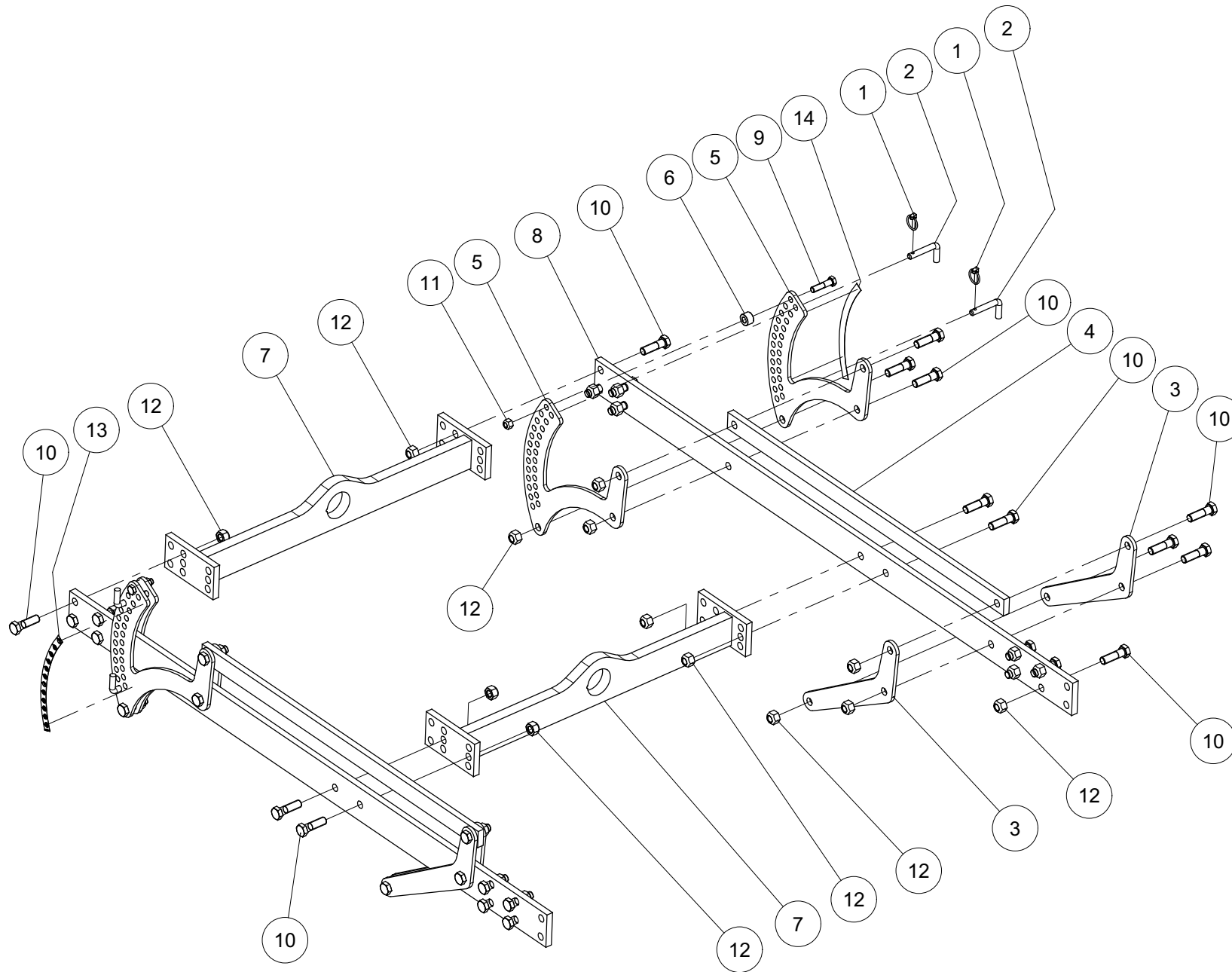


| Index | Quantity | Reference  | Designation   |
|-------|----------|------------|---|
| 1     | 1        | 1000.99.04 | Plaquette CE<br>Identification plate CE   |
| 2     | 2        | 11024D4A   | Goupille Beta<br>Spring plug Stock  |
| 3     | 2        | 1476D410A  | Goupille cannelée 4x10 DIN 1476 Z<br>Grooved pin 4x10 DIN 1476 Z                    |
| 4     | 2        | 1481D1370A | Goupille elastique 13 X 70 ISO8752 Z<br>Spring Pin 13 X 70 ISO8752 Z                |
| 5     | 5        | 6253.12.06 | Bride MC-20x50x76<br>Cross section MC-20x50x76                                      |
| 6     | 1        | 6258.00.61 | Axe court D60 7501/9001 monté au milieu<br>Axle short D60 7501/9001 middle mounted  |
| 7     | 4        | 6258.00.64 | Axe court D60 7501/9001 monté latéralement<br>Axle short D60 7501/9001 side mounted |
| 8     | 5        | 6258.02.01 | Porte-outils L cpl.<br>Tool carrier L cpl.  |
| 9     | 2        | 6258.07.01 | Limite d'oscillation montée<br>Oscillation limitation mounted                       |
| 10    | 1        | 6258.09.11 | Cadre pré-assemblé 7501 L<br>Frame pre-assembled 7501 L                             |
| 11    | 4        | 6812.28.26 | Plaque de guidage montée<br>Guide plate mounted                                     |
| 12    | 2        | 7212.05.00 | Broche D20-90<br>Pin D20-90   |
| 13    | 2        | 8431.31.03 | Support soudé<br>Bracket welded   |
| 14    | 10       | 980DV20PA  | Ecrou M20 ZNBL 8.8<br>Nut M20 Zinc 8.8  |



*Porte-outils L cpl.*

*Tool carrier L cpl.*



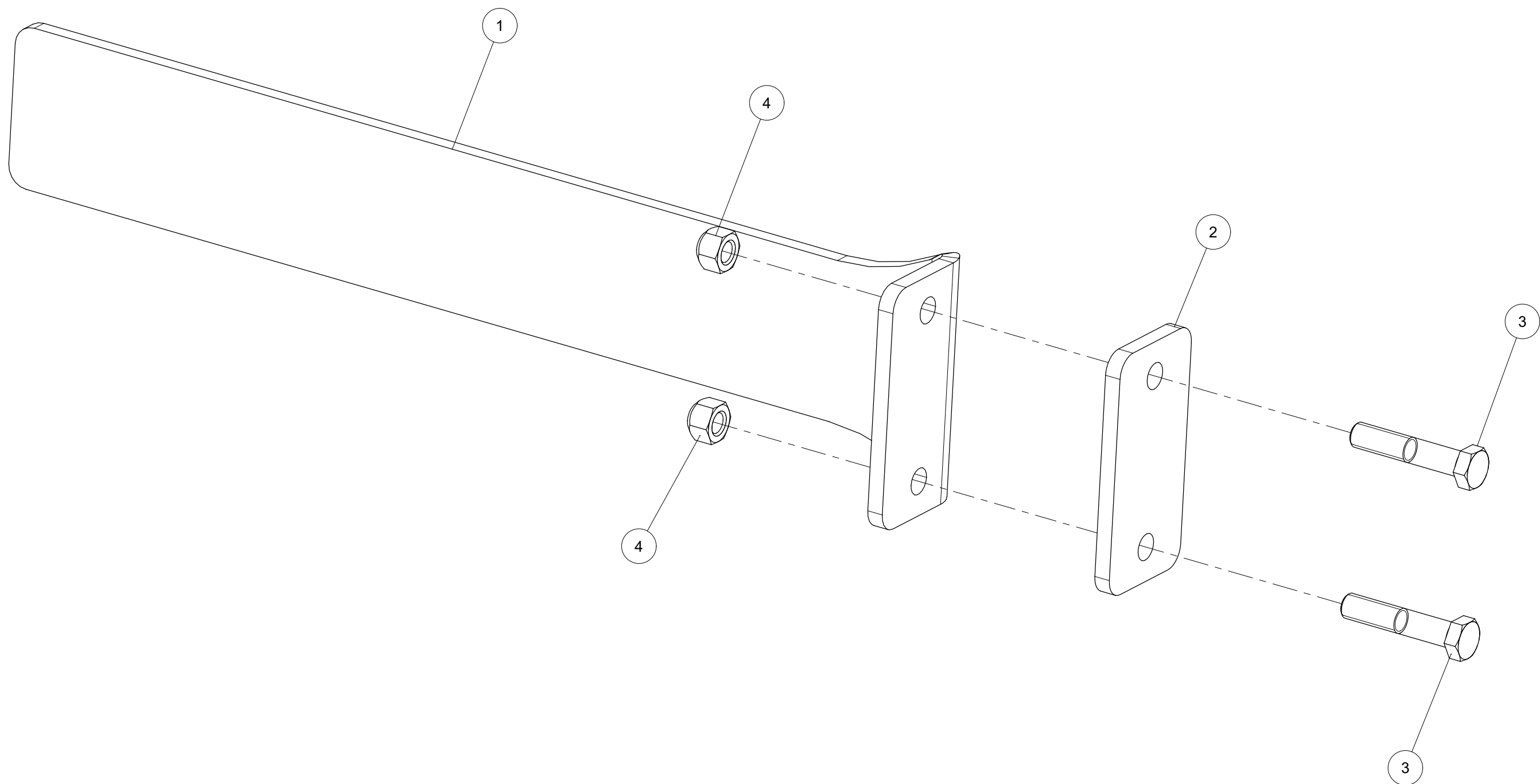
| Index | Quantity | Reference  | Designation   |
|-------|----------|------------|---|
| 1     | 4        | 11023D532A | Goupille "Clips" Dia 5 Z<br>Lynch pin Dia5              |
| 2     | 4        | 6241.29.02 | Axe TB-12x50<br>Pin TB-12x50                            |
| 3     | 4        | 6253.06.01 | Plaque de direction<br>Steering plate                   |
| 4     | 2        | 6253.10.02 | Support<br>Strut  |
| 5     | 4        | 6253.56.05 | Réglage<br>Adjuster                                     |
| 6     | 2        | 6258.02.03 | Espaceur<br>Spacer                                      |
| 7     | 2        | 6258.02.05 | Faisceau soudé<br>Beam welded                           |
| 8     | 2        | 6258.02.10 | Rail longitudinal<br>Longitudinal rail                  |
| 9     | 2        | 931D1250PA | Vis H M12 x 50 ZNBL 8.8<br>Hex. Screw M12 x 50 Zinc 8.8 |
| 10    | 32       | 931D1655PA | Vis H M16 x 55 ZNBL 8.8<br>Hex. Screw M16 x 55 Zinc 8.8 |
| 11    | 2        | 980DV12PA  | Ecrou M12 ZNBL 8.8<br>Nut M12 Zinc 8.8                  |
| 12    | 32       | 980DV16PA  | Ecrou M16 ZNBL 8.8<br>Nut M16 Zinc 8.8                  |
| 13    | 1        | 9998.09.05 | Échelle d'autocollant à gauche<br>Sticker scale left    |
| 14    | 1        | 9998.09.06 | Échelle d'autocollant à droite<br>Sticker scale right   |



*Limite d'oscillation montée*

*Oscillation limitation mounted*

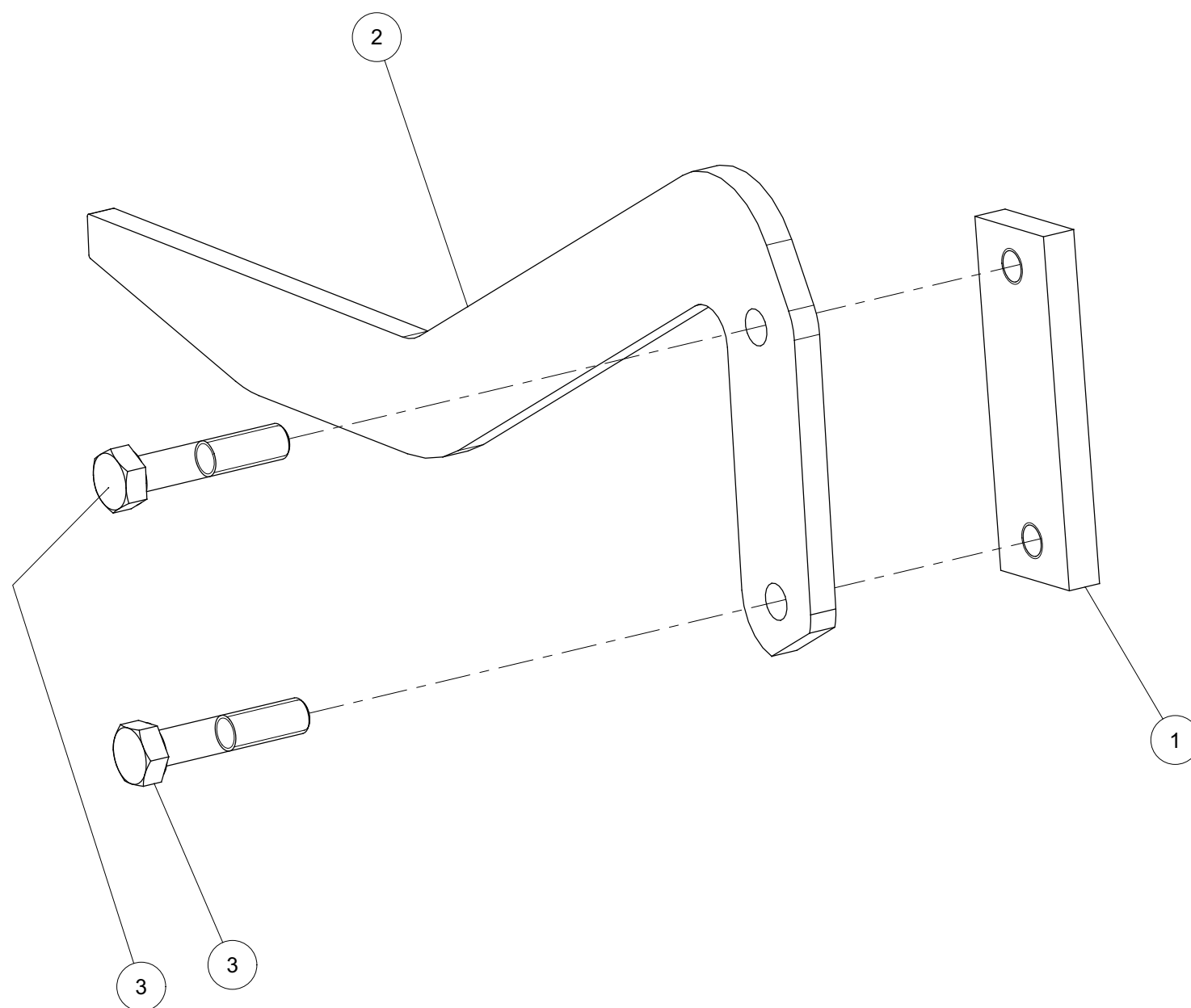
| Index | Quantity | Reference  | Designation   |
|-------|----------|------------|---|
| 1     | 1        | 6258.07.02 | Limite d'oscillation<br>Oscillation limitation          |
| 2     | 1        | 6465.58.11 | Patte de retenue D13 - 85<br>Retaining tab D13 - 85     |
| 3     | 2        | 931D1260PA | Vis H M12 x 60 ZNBL 8.8<br>Hex. Screw M12 x 60 Zinc 8.8 |
| 4     | 2        | 980DV12PA  | Ecrou M12 ZNBL 8.8<br>Nut M12 Zinc 8.8                  |





*Plaque de guidage montée*  
*Guide plate mounted*

| Index | Quantity | Reference  | Designation  |
|-------|----------|------------|--|
| 1     | 1        | 6241.94.02 | Plat de fixation M 12-93<br>Latch M 12-93              |
| 2     | 1        | 6812.28.24 | Plaque de guidage<br>Guide plate                       |
| 3     | 2        | VI 29 13   | Vis H M12x 60 - 8.8 ZNBL<br>Screw H M12x 60 - 8.8 ZNBL |

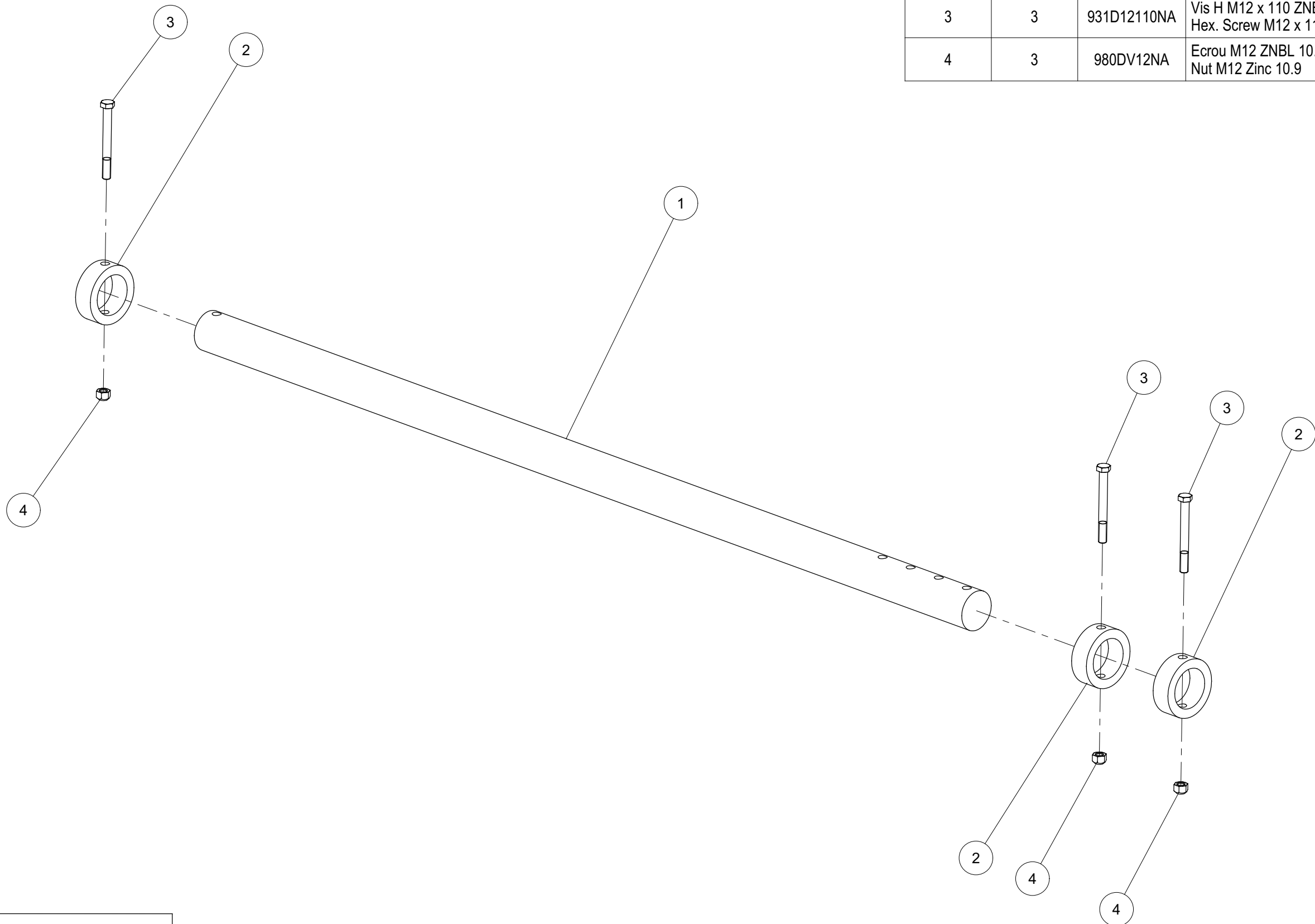






*Axe court D60 7501/9001 monté latéralement*  
*Axle short D60 7501/9001 side mounted*

| Index | Quantity | Reference   | Designation   |
|-------|----------|-------------|---|
| 1     | 1        | 6258.00.01  | Axe ø60 court<br>Axle ø60 short                             |
| 2     | 3        | 6258.00.07  | Rondelle large<br>Limiter                                   |
| 3     | 3        | 931D12110NA | Vis H M12 x 110 ZNBL 10.9<br>Hex. Screw M12 x 110 Zinc 10.9 |
| 4     | 3        | 980DV12NA   | Ecrou M12 ZNBL 10.9<br>Nut M12 Zinc 10.9                    |

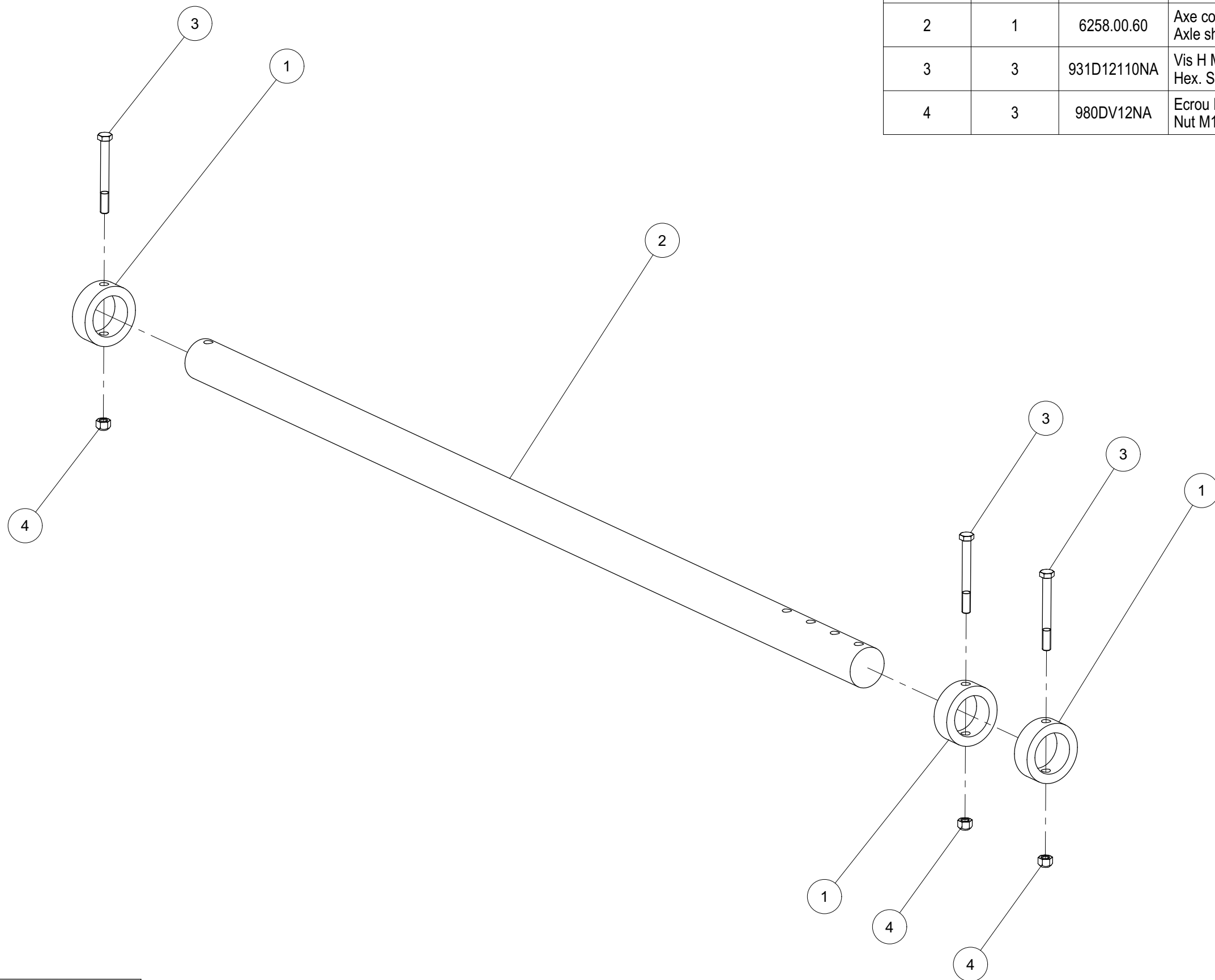


6258.00.64 (1/1)

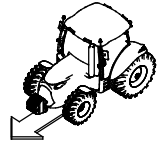


*Axe court D60 7501/9001 monté au milieu*  
*Axle short D60 7501/9001 middle mounted*

| Index | Quantity | Reference   | Designation   |
|-------|----------|-------------|---|
| 1     | 3        | 6258.00.07  | Rondelle large Limiter  |
| 2     | 1        | 6258.00.60  | Axe court D60 7501/9001 centre<br>Axle short D60 7501/9001 middle |
| 3     | 3        | 931D12110NA | Vis H M12 x 110 ZNBL 10.9<br>Hex. Screw M12 x 110 Zinc 10.9       |
| 4     | 3        | 980DV12NA   | Ecrou M12 ZNBL 10.9<br>Nut M12 Zinc 10.9                          |

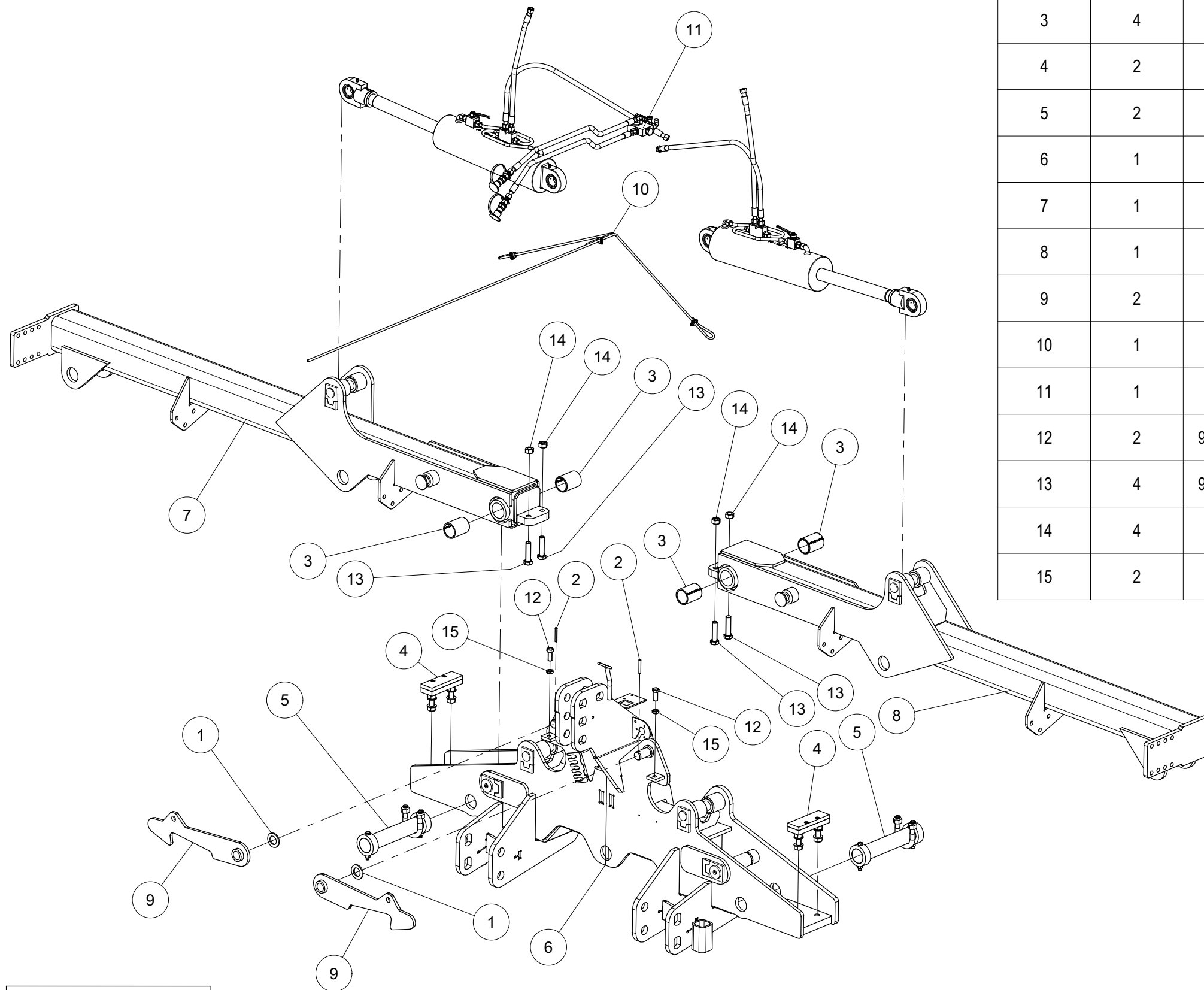


6258.00.61 (1/1)

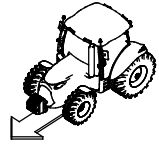


*Cadre pré-assemblé 7501 L*

*Frame pre-assembled 7501 L*



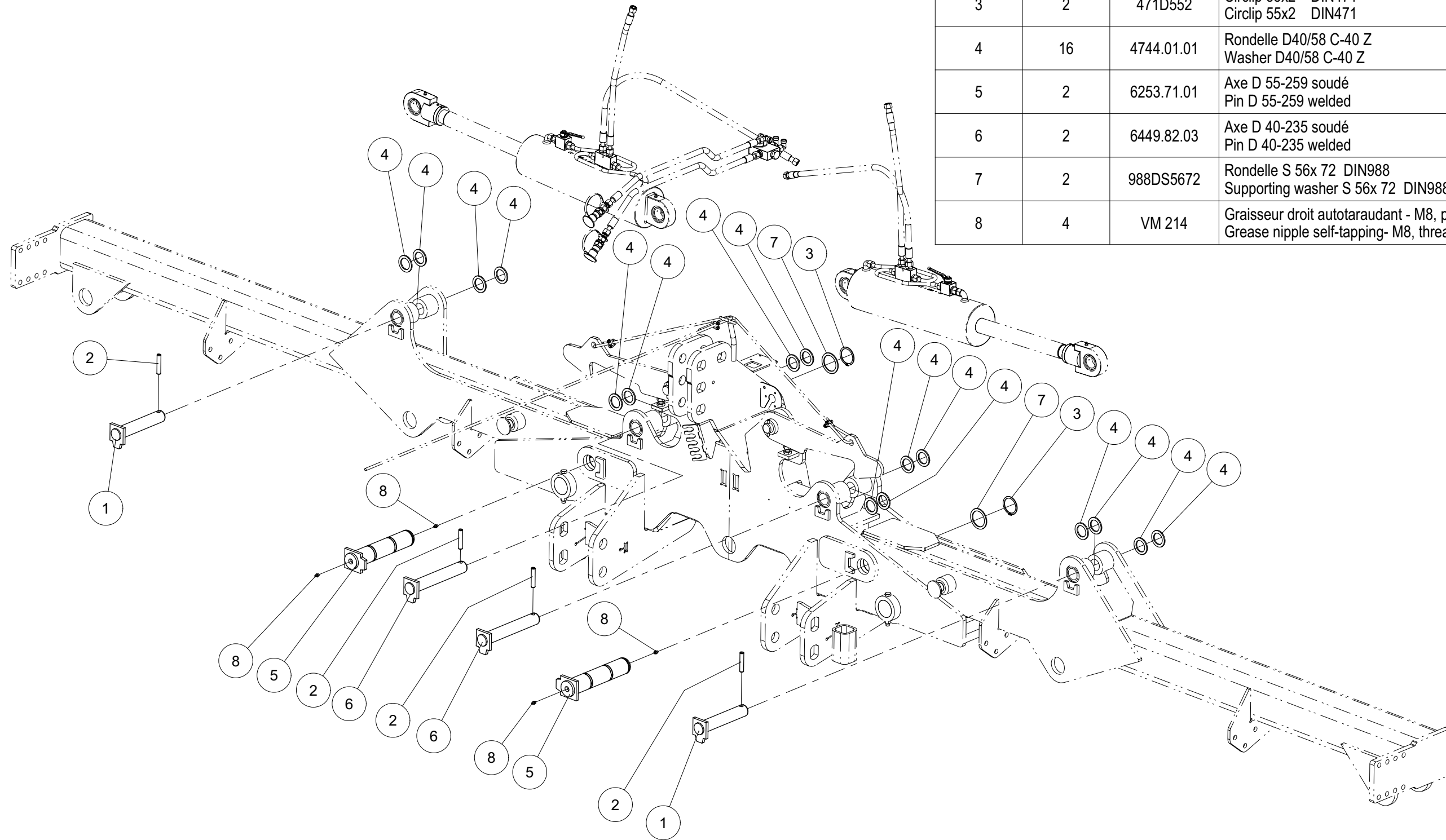
| Index | Quantity | Reference  | Designation   |
|-------|----------|------------|---|
| 1     | 2        | 126D36A    | Rondelle 36 ISO7091 ZNBL<br>Washer 36 ISO7091 ZNBL                    |
| 2     | 2        | 1481D860A  | Goupille elastique 8 X 60 ISO8752 Z<br>Spring Pin 8 X 60 ISO8752 Z    |
| 3     | 4        | 4771.14.01 | Bagues acier Ø 65 x 55 x 85<br>Steel bushing Ø 65 x 55 x 85           |
| 4     | 2        | 6255.34.13 | Butée monté<br>Stopper mounted  |
| 5     | 2        | 6258.00.63 | Arrêt 7501 L / LS monté<br>Impact 7501 L / LS mounted                 |
| 6     | 1        | 6258.08.10 | Cadre central 7501 / 9001<br>Central frame 7501 / 9001                |
| 7     | 1        | 6258.08.30 | Cadre latéral droit 7501 L<br>Side frame right 7501 L                 |
| 8     | 1        | 6258.08.40 | Cadre latéral gauche 7501 L<br>Cadre latéral gauche 7501 L            |
| 9     | 2        | 8434.13.01 | Cliquet soudé<br>Pawl welded  |
| 10    | 1        | 8434.15.01 | Libérer mécaniquement, monté<br>Release mechanically, mounted         |
| 11    | 1        | 8434.69.02 | Cadre hydr. monté<br>Hydr. frame mounted                              |
| 12    | 2        | 933D1640PA | Vis H M16x40 ISO4017-8.8 ZNBL<br>Hex. Screw M16x40 ISO4017-8.8 Zinc   |
| 13    | 4        | 933D2080PA | Vis H M20x80 ISO4017-8.8 ZNBL<br>Hex. Screw M20x80 ISO4017-8.8 Zinc   |
| 14    | 4        | 934D20PA   | Ecrou std H M20 - pas 250 Zingue<br>Nut std H M20 - thread 250 Zingue |
| 15    | 2        | 936D16PA   | Ecrou bas Hm M16 8.8, ZNBL<br>Nut Hm M16 8.8, ZNBL                    |



*Cadre pré-assemblé 7501 L*

*Frame pre-assembled 7501 L*

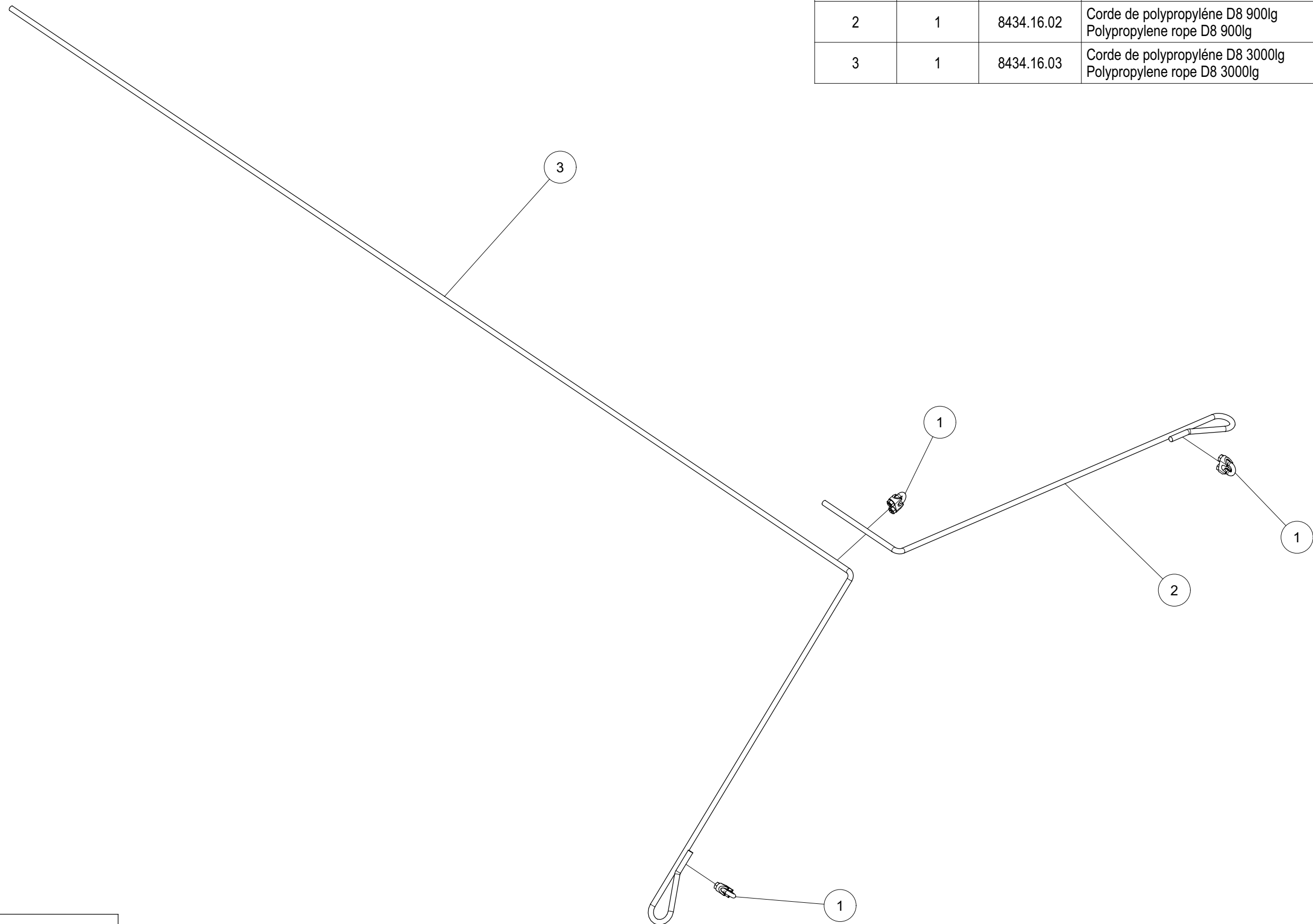
| Index | Quantity | Reference  | Designation   |
|-------|----------|------------|---|
| 1     | 2        | 1000.03.41 | Axe D 40-195 soudé<br>Pin D 40-195 welded   |
| 2     | 4        | 1481D1370A | Goupille elastique 13 X 70 ISO8752 Z<br>Spring Pin 13 X 70 ISO8752 Z                    |
| 3     | 2        | 471D552    | Circlip 55x2 DIN471<br>Circlip 55x2 DIN471  |
| 4     | 16       | 4744.01.01 | Rondelle D40/58 C-40 Z<br>Washer D40/58 C-40 Z  |
| 5     | 2        | 6253.71.01 | Axe D 55-259 soudé<br>Pin D 55-259 welded   |
| 6     | 2        | 6449.82.03 | Axe D 40-235 soudé<br>Pin D 40-235 welded   |
| 7     | 2        | 988DS5672  | Rondelle S 56x 72 DIN988<br>Supporting washer S 56x 72 DIN988                           |
| 8     | 4        | VM 214     | Graisseur droit autotaraudant - M8, pas100<br>Grease nipple self-tapping- M8, thread100 |





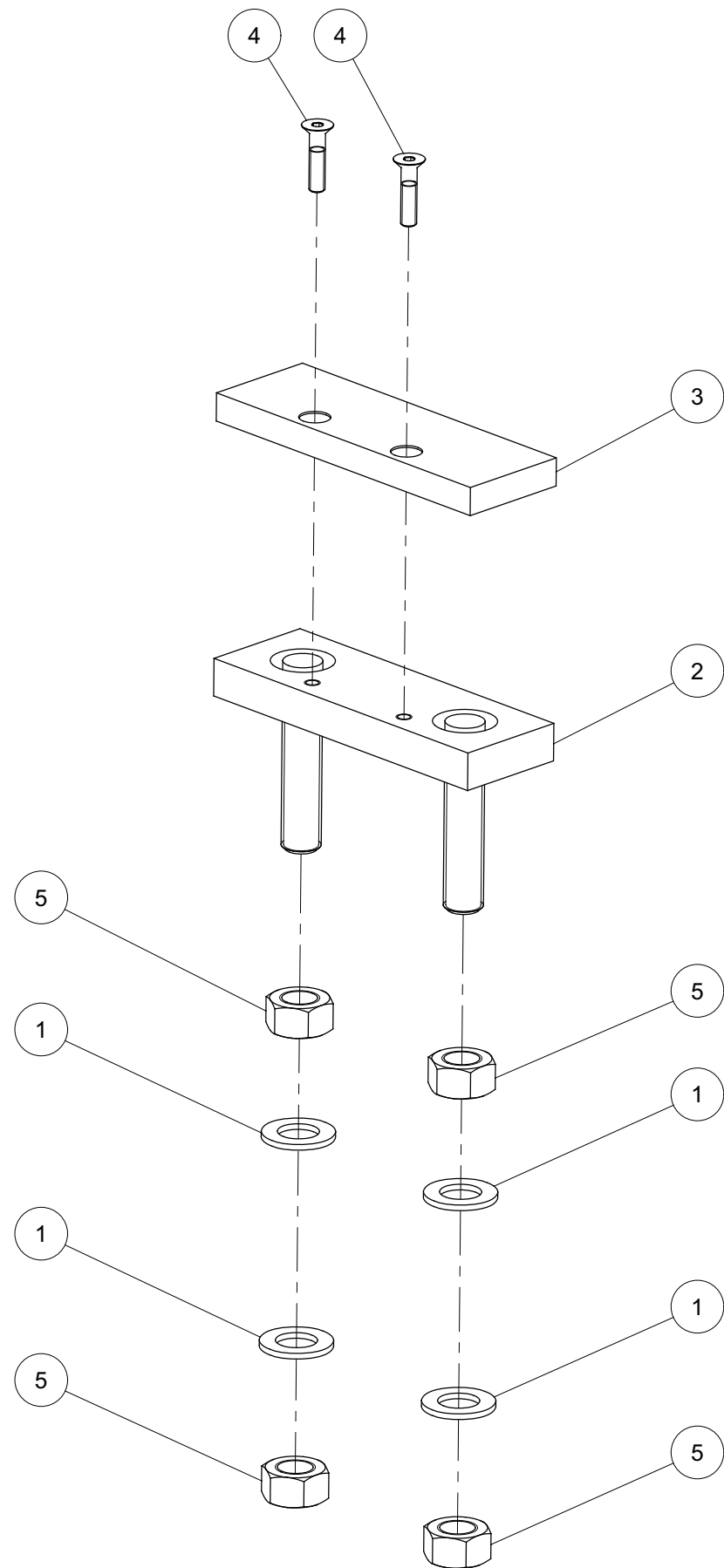
*Libérer mécaniquement, monté*  
*Release mechanically, mounted*

| Index | Quantity | Reference  | Designation  |
|-------|----------|------------|--|
| 1     | 3        | 741D8      | Serre-câble 8 DIN741<br>Wire rope clamp 8 DIN741                 |
| 2     | 1        | 8434.16.02 | Corde de polypropylène D8 900lg<br>Polypropylene rope D8 900lg   |
| 3     | 1        | 8434.16.03 | Corde de polypropylène D8 3000lg<br>Polypropylene rope D8 3000lg |





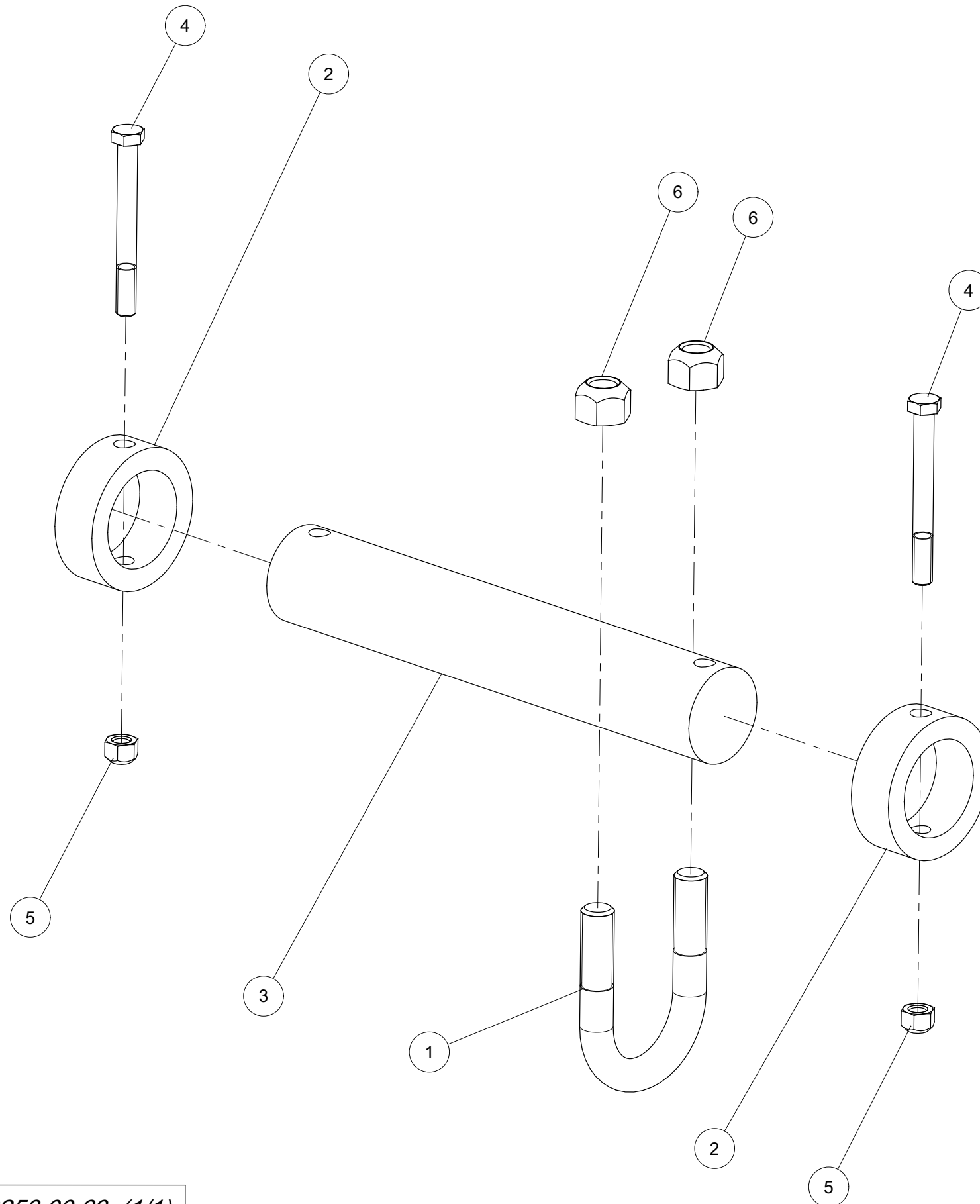
*Butée monté*  
*Stopper mounted*



| Index | Quantity | Reference  | Designation  |
|-------|----------|------------|--|
| 1     | 4        | 125DA21A   | Rondelle A 21 ISO7089 ZNBL<br>Washer A 21 ISO7089 Zinc.                |
| 2     | 1        | 6255.34.10 | Plaque de pression soudé<br>Welded pressure plate                      |
| 3     | 1        | 6255.34.14 | Plaque d'amortissement<br>Damping plate                                |
| 4     | 2        | 7991D835PA | Vis FHc M 8x35 ISO10642-8.8 ZNBL<br>Screw FHc M 8x35 ISO10642-8.8 ZNBL |
| 5     | 4        | 934D20PA   | Ecrou std H M20 - pas 250 Zingue<br>Nut std H M20 - thread 250 Zingue  |



*Arrêt 7501 L / LS monté*  
*Impact 7501 L / LS mounted*



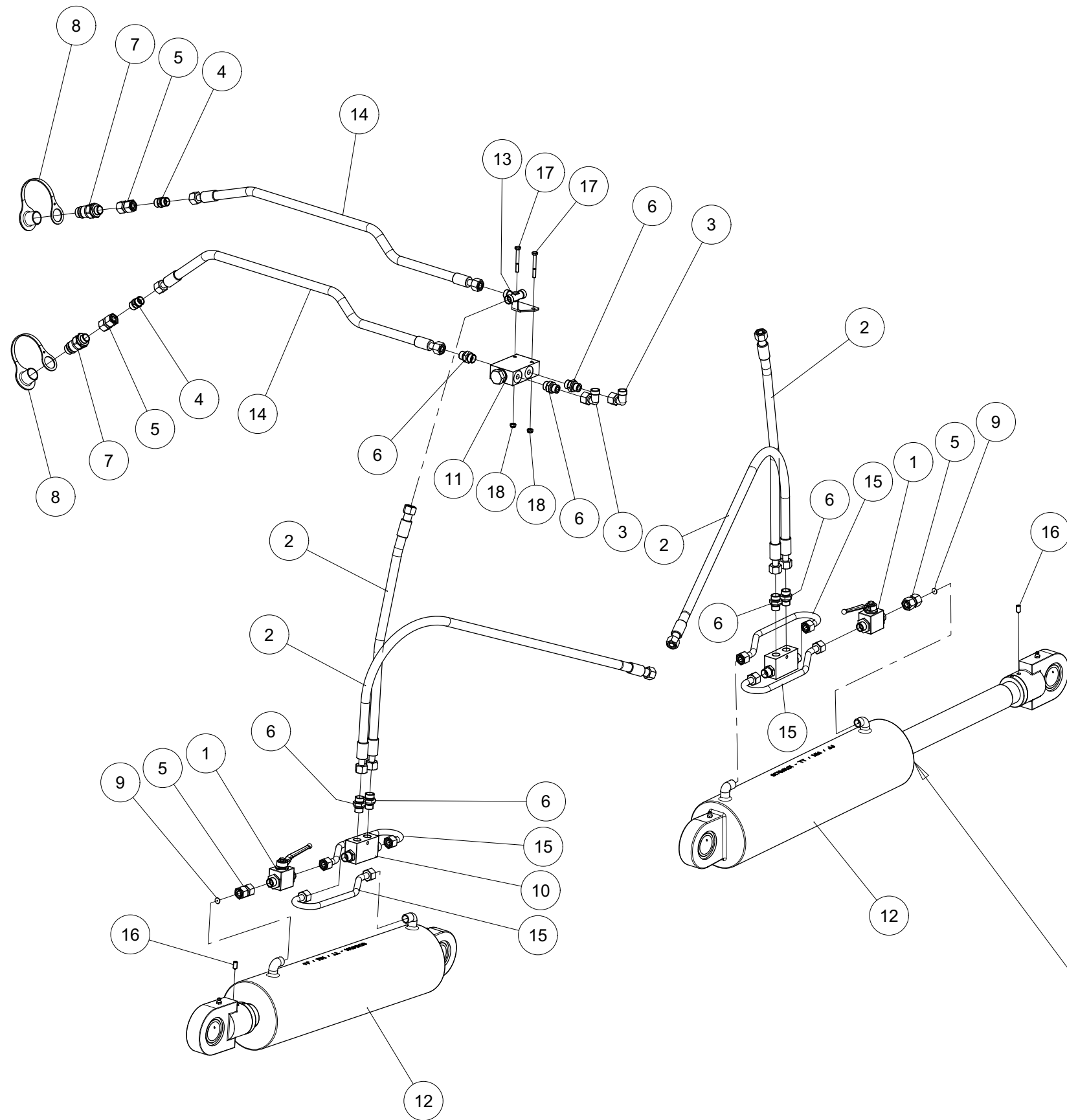
| Index | Quantity | Reference   | Designation   |
|-------|----------|-------------|---|
| 1     | 1        | 6253.12.06  | Bride MC-20x50x76<br>Cross section MC-20x50x76            |
| 2     | 2        | 6258.00.07  | Rondelle large<br>Limiter                                 |
| 3     | 1        | 6258.00.62  | Axe 7501 L/ LS<br>Axle 7501 L/ LS                         |
| 4     | 2        | 931D12110PA | Vis H M12 x 110 ZNBL 8.8<br>Hex. Screw M12 x 110 Zinc 8.8 |
| 5     | 2        | 980DV12PA   | Ecrou M12 ZNBL 8.8<br>Nut M12 Zinc 8.8                    |
| 6     | 2        | 980DV20PA   | Ecrou M20 ZNBL 8.8<br>Nut M20 Zinc 8.8                    |

6258.00.63 (1/1)





*Cadre hydr. monté*  
*Hydr. frame mounted*



| Index | Quantity | Reference  | Designation   |
|-------|----------|------------|---|
| 1     | 2        | 4716.46.05 | Robinet à boisseau sphérique NW10 Z.<br>Ball valve NW10 Z.                  |
| 2     | 4        | 4716.46.06 | Flexible Hydraulique 2SN DN10 1000<br>Hydraulic hose 2SN DN10 1000          |
| 3     | 2        | 4716.52.11 | Raccord coude L-12 M18x1,5<br>Elbow coupling L-12 M18x1,5                   |
| 4     | 2        | 4716.52.13 | Raccord G12-L - M18x1,5<br>Male stud coupling G12-L - M18x1,5               |
| 5     | 4        | 4716.53.05 | Raccord double<br>Double coupling   |
| 6     | 7        | 4723.02.03 | Raccord 12L M18x1,5<br>Male stud coupling 12L M18x1,5                       |
| 7     | 2        | 8132.01.00 | Connecteur hydraulique HL3 AG M18x1,5<br>Hydraulic connector HL3 AG M18x1,5 |
| 8     | 2        | 8132.05.01 | Cache rouge taille 3<br>Dust cap red size 3                                 |
| 9     | 2        | 8132.06.01 | Etranglement rondelle $\phi$ 1.0<br>Restrictive washer $\phi$ 1.0           |
| 10    | 2        | 8154.24.02 | Limiteur<br>Valve   |
| 11    | 1        | 8165.16.10 | Diviseur de débit 10-25 Ltr/min<br>Flow divider 10-25 Ltr/min               |
| 12    | 2        | 8170.01.01 | Vérin 125/50/400/735<br>Cylinder 125/50/400/735                             |
| 13    | 1        | 8172.01.02 | Support avec connexion en T<br>Holder with T-screw connection               |
| 14    | 2        | 8413.88.01 | Tuyau hydraulique 2SN DN10 L1500<br>Hydraulic hose 2SN DN10 L1500           |
| 15    | 4        | 8434.65.11 | Tube hydraulique mont.<br>Mounted hydraulic tube                            |
| 16    | 2        | 914D816H   | Vis Hc M 8x 16, bout pointu<br>Bolt Hc M 8x 16 Pointed                      |
| 17    | 2        | 931D650PA  | Vis H M6 x 50 ZNBL 8.8<br>Hex. Screw M6 x 50 Zinc 8.8                       |
| 18    | 2        | 985D6PA    | Ecrou HFR M6 ISO10511-8 Z<br>Nut HFR M6 ISO10511-8 Z                        |

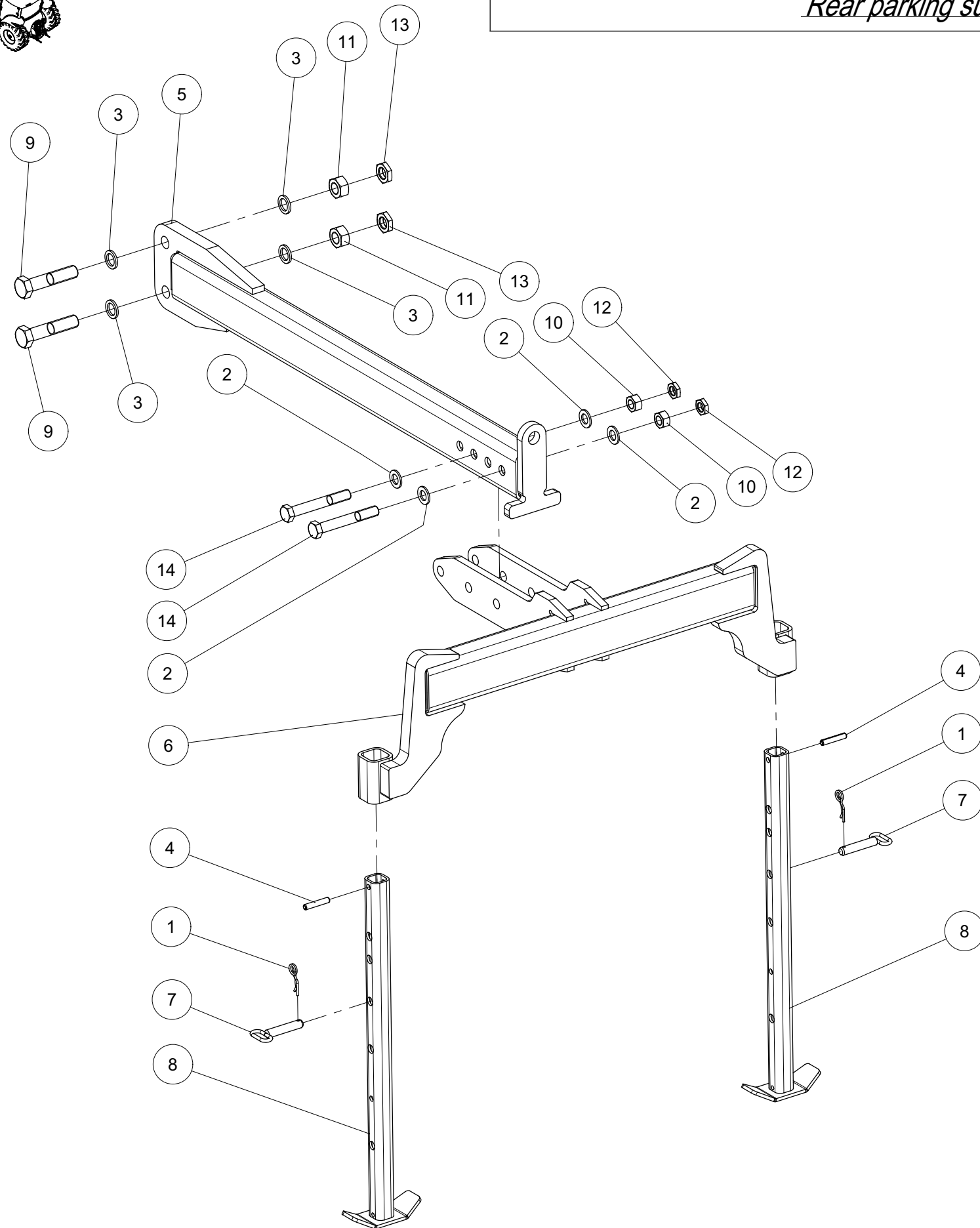
8170.01.04 Jeu de joints cpl. / Seal kit cpl.





*Support de stationnement arrière cpl.*

*Rear parking support cpl.*



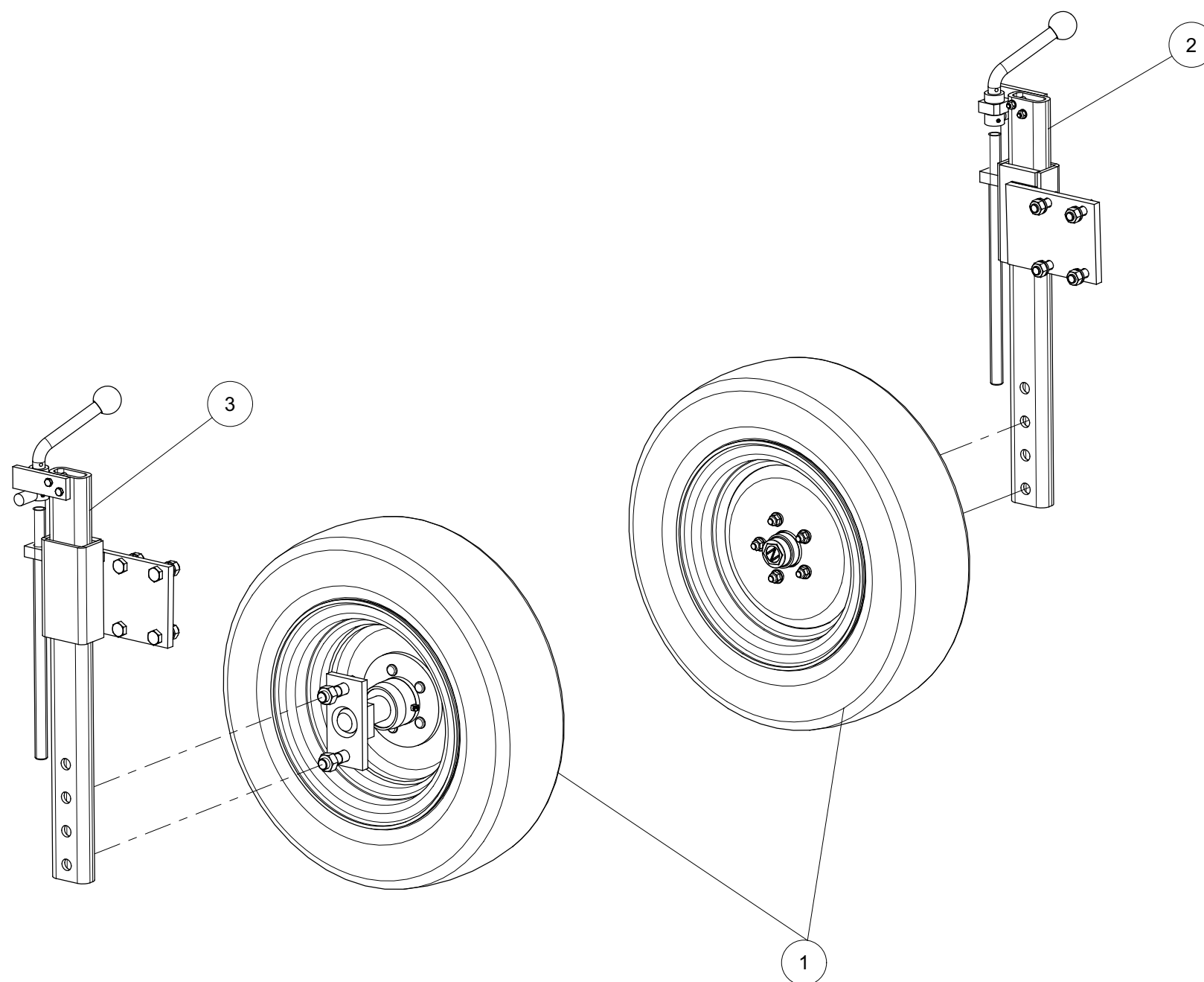
| Index | Quantity | Reference     | Designation   |
|-------|----------|---------------|---|
| 1     | 2        | 11024D4A      | Goupille Beta<br>Spring plug Stock                                    |
| 2     | 4        | 125DA25A      | Rondelle A 25 ISO7089 Zinguée<br>Washer A 25 ISO7089 Zinc.            |
| 3     | 4        | 1441D31A      | Rondelle 31 DIN1441 Z<br>Washer 31 DIN1441 Z                          |
| 4     | 2        | 1481D1370A    | Goupille elastique 13 X 70 ISO8752 Z<br>Spring Pin 13 X 70 ISO8752 Z  |
| 5     | 1        | 6258.05.71    | Bôme soudé devant 7501 / 9001<br>Welded boom 7501 / 9001 ahead        |
| 6     | 1        | 6258.05.73    | Bôme soudé derrière 7501 / 9001<br>Welded boom rear 7501 / 9001       |
| 7     | 2        | 7212.05.00    | Broche D20-90<br>Pin D20-90   |
| 8     | 2        | 8431.31.03    | Support soudé<br>Bracket welded                                       |
| 9     | 2        | 931D30140PA   | Vis H M30 x 140 ZNBL 8.8<br>Hex. Screw M30 x 140 Zinc 8.8             |
| 10    | 2        | 934D2415PA    | Ecrou std H M24 - pas 150 Zingue<br>Nut std H M24 - thread 150 Zingue |
| 11    | 2        | 934D30PA      | Ecrou std H M30 - pas 350 Zingue<br>Nut std H M30 - thread 350 Zingue |
| 12    | 2        | 936D2415PA    | Ecrou bas Hm M24x1.5 8.8, ZNBL<br>Nut Hm M24x1.5 8.8, ZNBL            |
| 13    | 2        | 936D30PA      | Ecrou bas Hm M30 8.8, ZNBL<br>Nut Hm M30 8.8, ZNBL                    |
| 14    | 2        | 960D2415170PA | Vis hex. M24x1.5x170 ZNBL 8.8<br>Hex. Screw M24x1.5x170 ZNBL 8.8      |



*Roue latérale 185R14C 1 paire*

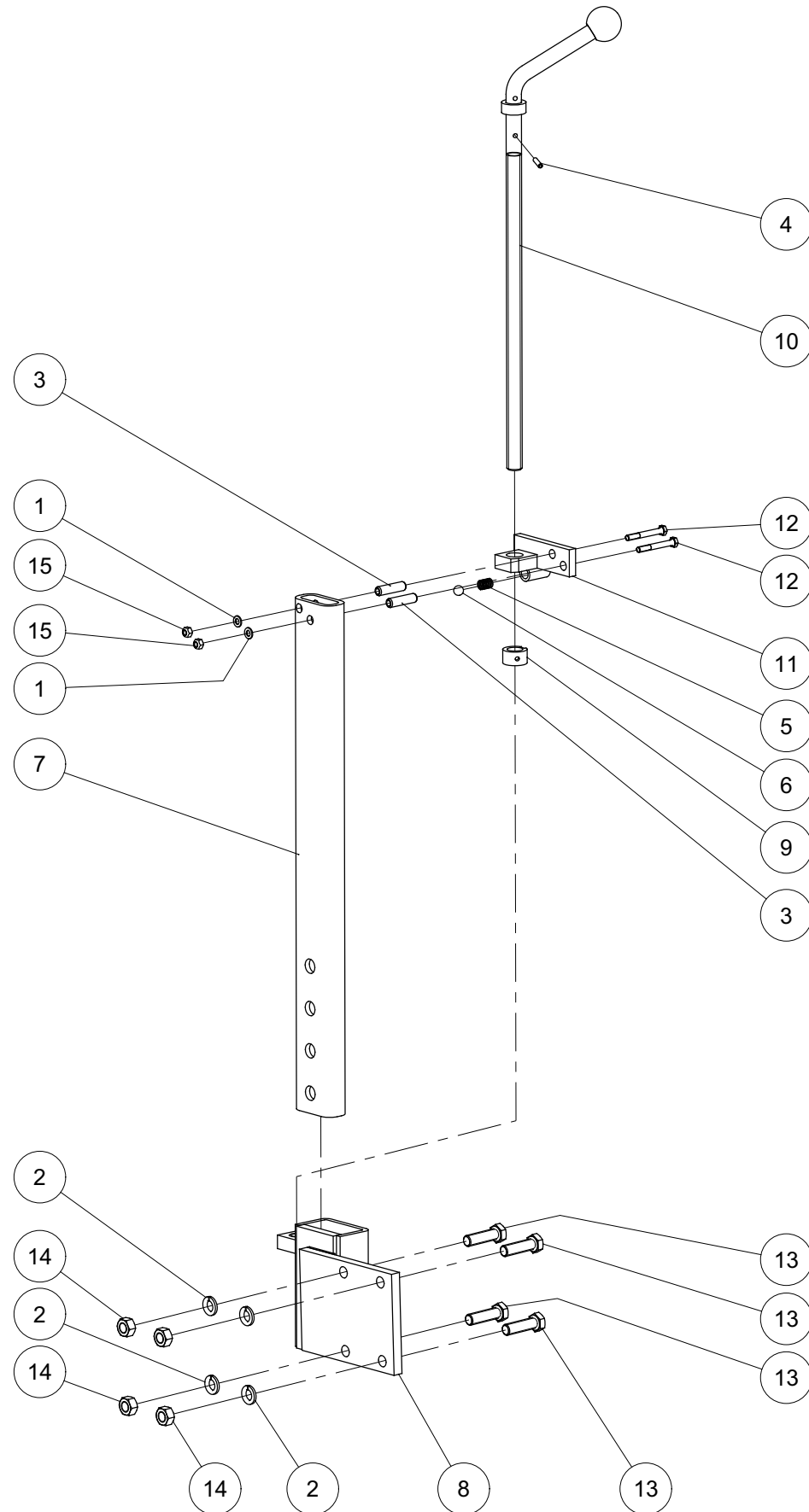
*Side wheel 185R14C 1 pair*

| Index | Quantity | Reference | Designation   |
|-------|----------|-----------|---|
| 1     | 1        | G6330/118 | Roue 185 R 14 C<br>Wheel 185 R 14 C                       |
| 2     | 1        | G6330/124 | Tige de roue montée à gauche<br>Wheel stalk left mounted  |
| 3     | 1        | G6330/125 | Tige de roue montée à droite<br>Wheel stalk right mounted |





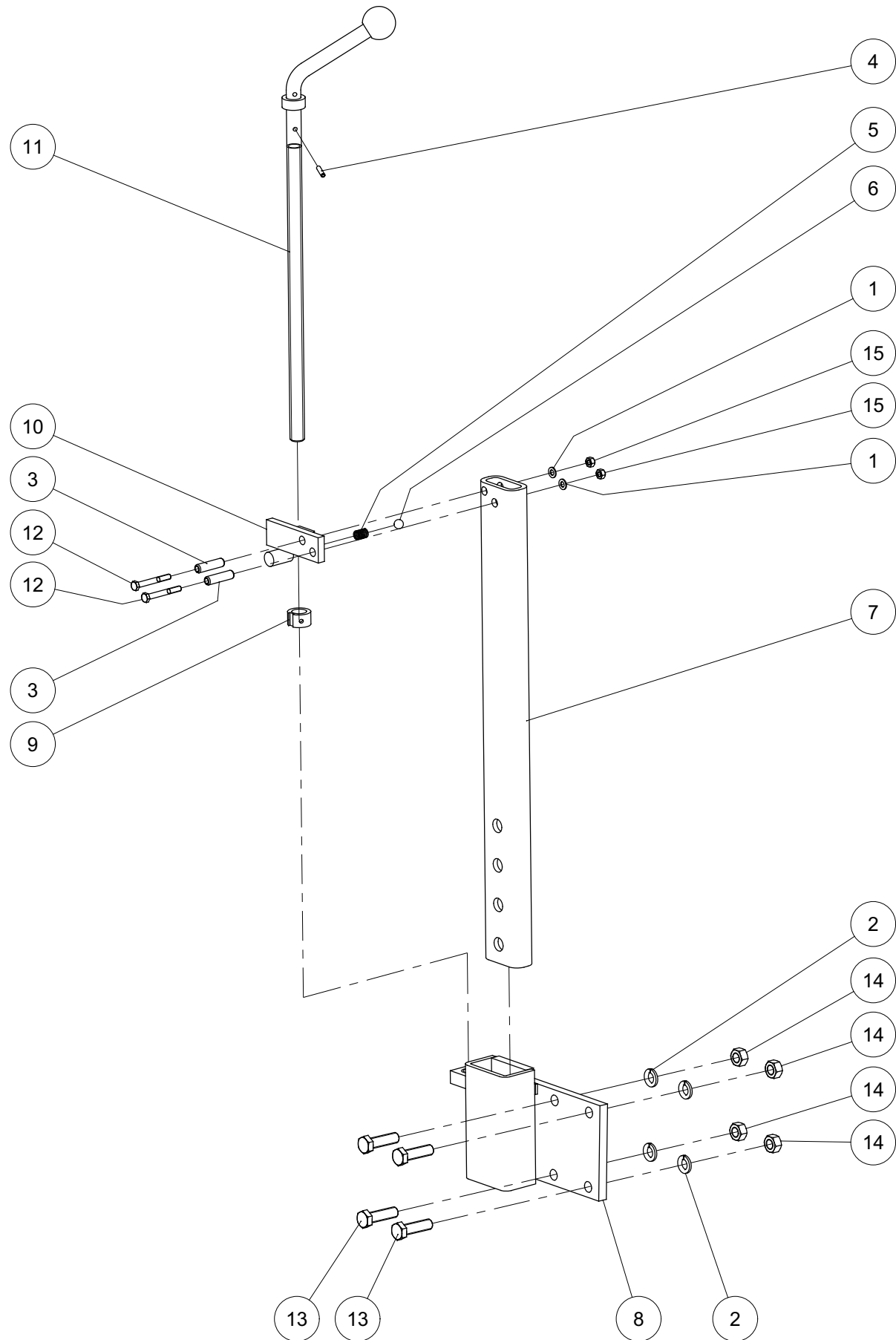
*Tige de roue montée à gauche*  
*Wheel stalk left mounted*



| Index | Quantity | Reference  | Designation   |
|-------|----------|------------|---|
| 1     | 2        | 125DA8.4A  | Rondelle A 8,4 ISO7089 Zinguée<br>Washer A 8,4 ISO7089 Zinc.          |
| 2     | 4        | 127DB16A   | Rondelle grower B 16 DIN127 Zinguée<br>Spring washer B 16 DIN127 Zinc |
| 3     | 2        | 1481D1350  | Goupille elastique 13 X 50 ISO8752<br>Spring Pin 13 X 50 ISO8752      |
| 4     | 1        | 1481D640A  | Goupille elastique 6 X 40 ISO8752 Z<br>Spring Pin 6 X 40 ISO8752 Z    |
| 5     | 1        | 4716.12.00 | Ressort de compression DF80<br>Compression spring DF80                |
| 6     | 1        | 4716.36.00 | Bille<br>Ball   |
| 7     | 1        | 6330.47.02 | Tige<br>Stalk   |
| 8     | 1        | 6330.70.04 | Support gauche soudé<br>Bracket left welded                           |
| 9     | 1        | 7509.00.04 | Bague<br>Impact ring  |
| 10    | 1        | 7518.06.00 | Broche de réglage cpl.<br>Adjustment spindle cpl.                     |
| 11    | 1        | 7518.10.00 | Plaque à vis soudé gauche<br>Screw plate left welded                  |
| 12    | 2        | 931D865PA  | Vis H M8 x 65 ZNBL 8.8<br>Hex. Screw M8 x 65 Zinc 8.8                 |
| 13    | 4        | 933D1655PA | Vis H M16x55 ISO4017-8.8 ZNBL<br>Hex. Screw M16x55 ISO4017-8.8 Zinc   |
| 14    | 4        | 934D16PA   | Ecrou std H M16 - pas 200 Zingue<br>Nut std H M16 - thread 200 Zingue |
| 15    | 2        | 980DV8PA   | Ecrou M8 ZNBL 8.8<br>Nut M8 Zinc 8.8                                  |



*Tige de roue montée à droite*  
*Wheel stalk right mounted*



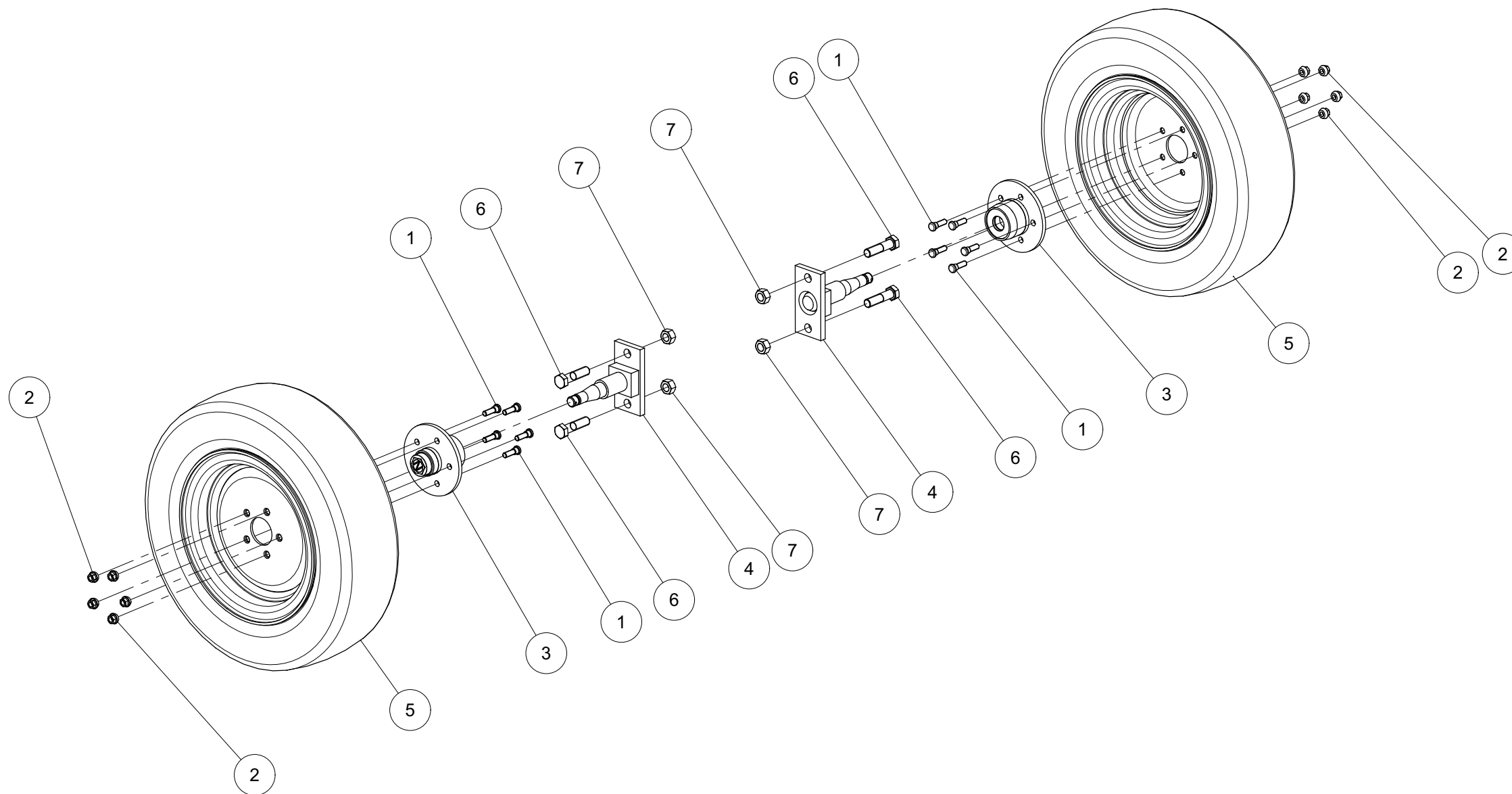
| Index | Quantity | Reference  | Designation   |
|-------|----------|------------|---|
| 1     | 2        | 125DA8.4A  | Rondelle A 8,4 ISO7089 Zinguée<br>Washer A 8,4 ISO7089 Zinc.          |
| 2     | 4        | 127DB16A   | Rondelle grower B 16 DIN127 Zinguée<br>Spring washer B 16 DIN127 Zinc |
| 3     | 2        | 1481D1350  | Goupille elastique 13 X 50 ISO8752<br>Spring Pin 13 X 50 ISO8752      |
| 4     | 1        | 1481D640A  | Goupille elastique 6 X 40 ISO8752 Z<br>Spring Pin 6 X 40 ISO8752 Z    |
| 5     | 1        | 4716.12.00 | Ressort de compression DF80<br>Compression spring DF80                |
| 6     | 1        | 4716.36.00 | Bille<br>Ball   |
| 7     | 1        | 6330.47.02 | Tige<br>Stalk   |
| 8     | 1        | 6330.70.05 | Support droit soudé<br>Bracket right welded                           |
| 9     | 1        | 7509.00.04 | Bague<br>Impact ring  |
| 10    | 1        | 7518.05.00 | Plaque á vis soudé droit<br>Screw plate right welded                  |
| 11    | 1        | 7518.06.00 | Broche de réglage cpl.<br>Adjustment spindle cpl.                     |
| 12    | 2        | 931D865PA  | Vis H M8 x 65 ZNBL 8.8<br>Hex. Screw M8 x 65 Zinc 8.8                 |
| 13    | 4        | 933D1655PA | Vis H M16x55 ISO4017-8.8 ZNBL<br>Hex. Screw M16x55 ISO4017-8.8 Zinc   |
| 14    | 4        | 934D16PA   | Ecrou std H M16 - pas 200 Zingue<br>Nut std H M16 - thread 200 Zingue |
| 15    | 2        | 980DV8PA   | Ecrou M8 ZNBL 8.8<br>Nut M8 Zinc 8.8                                  |



*Roue 185 R 14 C*

*Wheel 185 R 14 C*

| Index | Quantity | Reference    | Designation   |
|-------|----------|--------------|---|
| 1     | 10       | 6330.00.04   | Goujon cranté M12x1,5 Lg41x30 - 8.8<br>Stud bolt M12 x 1.5 x 41 - 8.8 |
| 2     | 10       | 6330.00.05   | Ecrou de roue M12x1.5<br>Wheel nut M12x1.5                            |
| 3     | 2        | 7522.11.04   | Stockage sans boulons cannelé<br>Warehousing mounted                  |
| 4     | 2        | 7522.18.05   | Axe soudé<br>Shaft welded   |
| 5     | 2        | 7523.38.01   | Roue 185 R14 C ET30 cpl.<br>Wheel 185 R14 C ET30 cpl.                 |
| 6     | 4        | 960D201580NA | Vis hex. M20x1.5x80 ZNBL 10.9<br>Hex. Screw M20x1.5x80 ZNBL 10.9      |
| 7     | 4        | VJ 639       | Ecrou HU M20 - 10 ZNBL - pas 150<br>Nut HU M20 - 10 ZNBL - thread 150 |

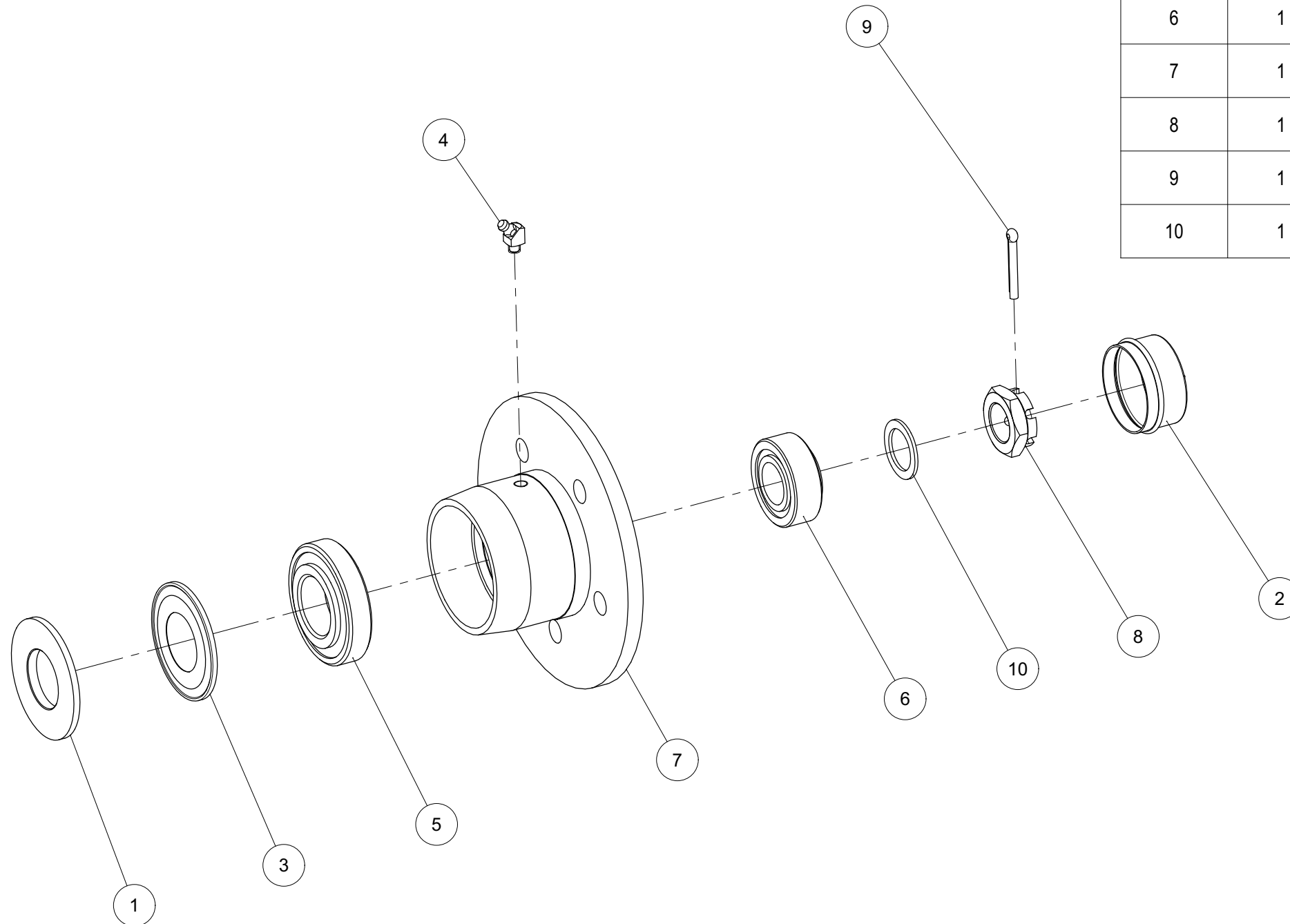




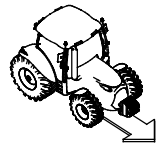
*Stockage sans boulons cannelé*

*Warehousing mounted*

| Index | Quantity | Reference  | Designation   |
|-------|----------|------------|---|
| 1     | 1        | 6330.00.02 | Rondelle D35/73<br>Washer D35/73                                      |
| 2     | 1        | 6330.00.06 | Chapeau de roue<br>Wheel cap  |
| 3     | 1        | 6330.00.07 | Joint Nylos 30207 AV<br>Nilos ring 30207 AV                           |
| 4     | 1        | 71412DB81  | Graisseur H2-M 8x1 - 45<br>Grease Nipple H2-M 8x1 - 45                |
| 5     | 1        | 720D30207  | Roulement à rlx conique-720 30207<br>conical roller bearing-720 30207 |
| 6     | 1        | 720D33205  | Roulement à rlx conique-720 33205<br>conical roller bearing-720 33205 |
| 7     | 1        | 7523.01.01 | Moyeu GS 2,5<br>Wheel Hub GS 2,5                                      |
| 8     | 1        | 937D2415P  | Ecrou à creneaux M24x1,5 8.8<br>Castellated nut M24x1,5 DIN937-8.8    |
| 9     | 1        | 94D532A    | Goupille fendue 5x 32 ISO1234 Z<br>cotter pin 5x 32 ISO1234 Z         |
| 10    | 1        | 988DS2535  | Rondelle S 25x 35 DIN988<br>Supporting washer S 25x 35 DIN988         |



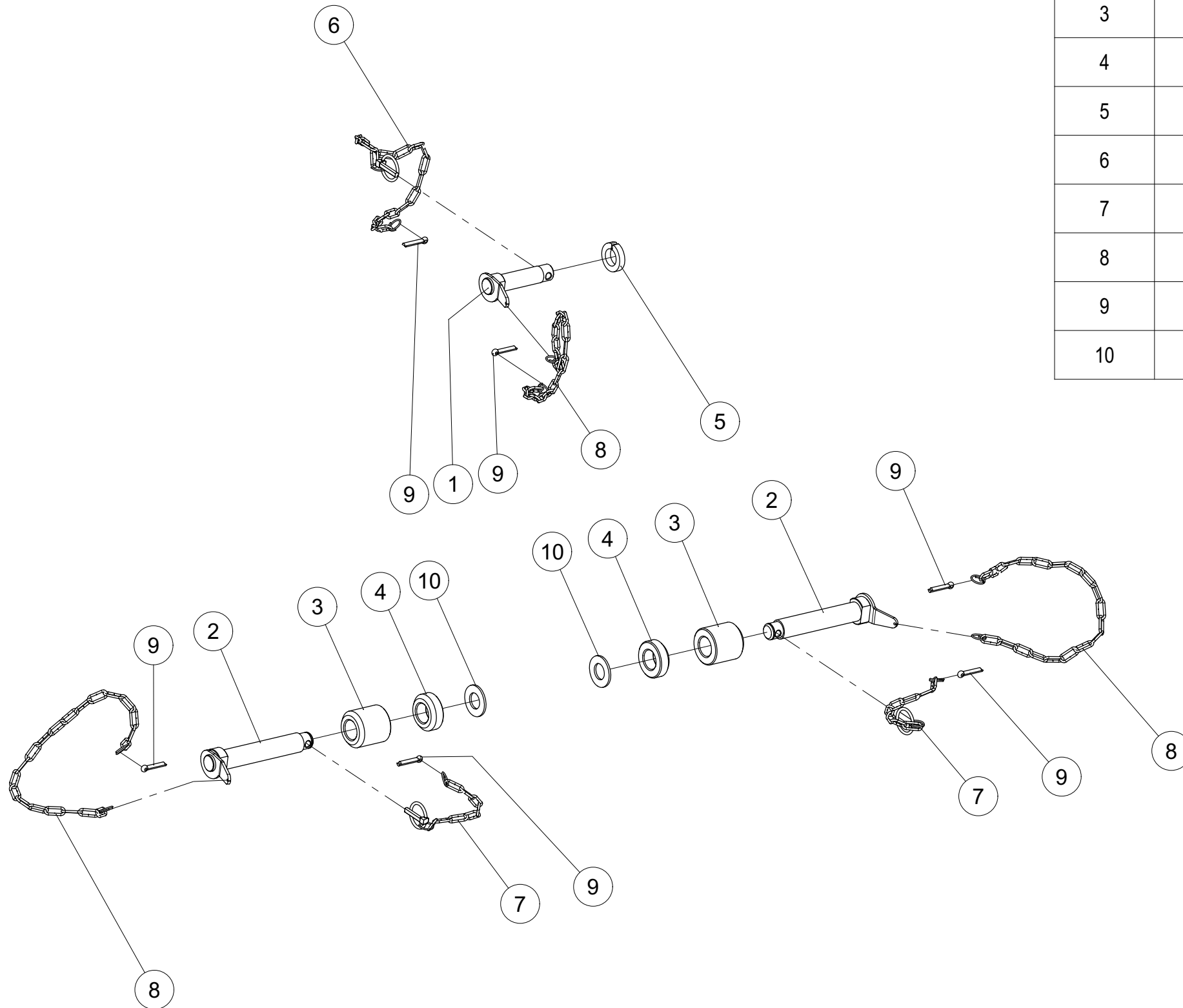




*Broches d'attelage Cat.3 cpl.*

*3-Point headstock Cat.3 cpl.*

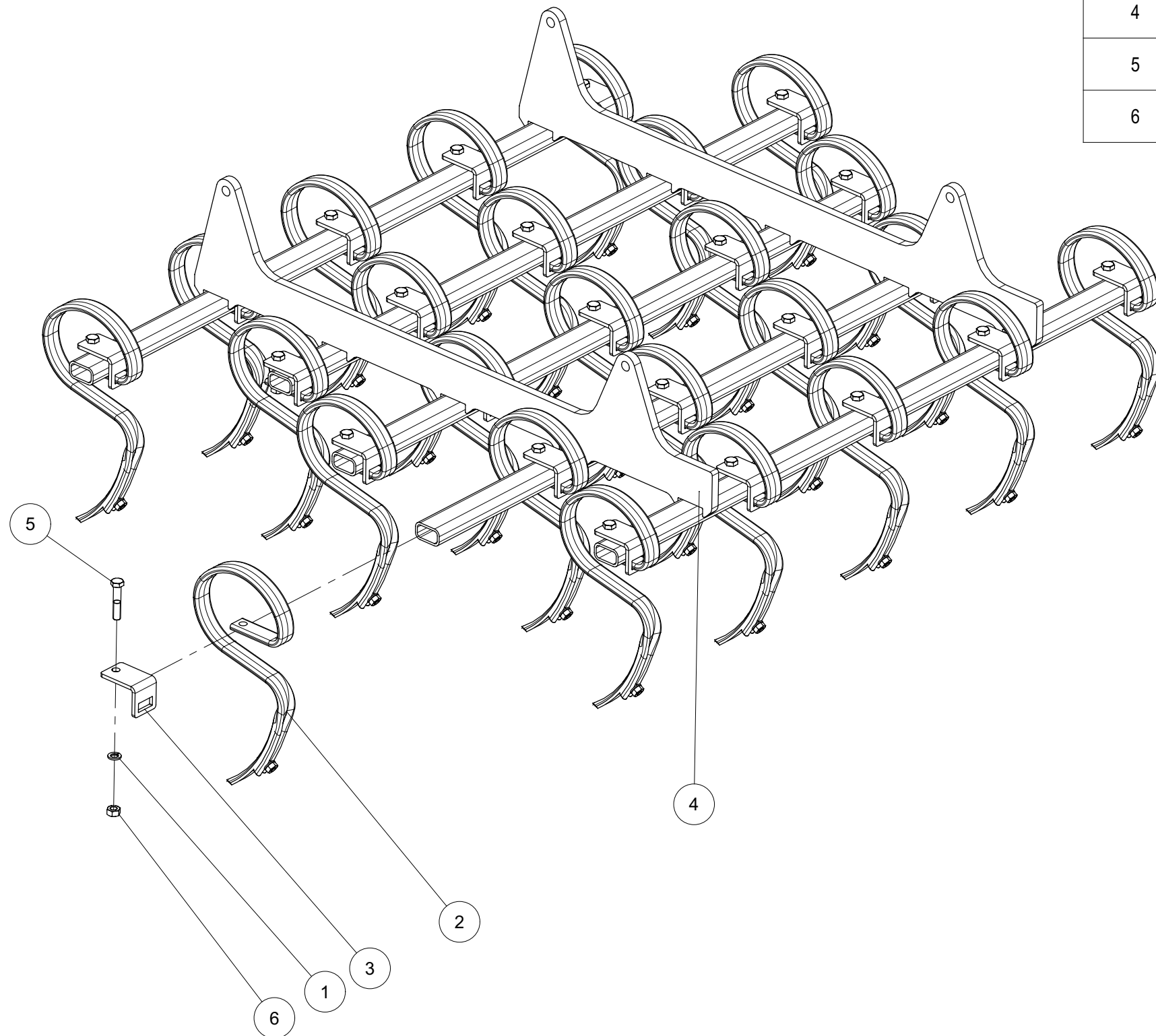
| Index | Quantite | Reference  | Designation   |
|-------|----------|------------|---|
| 1     | 1        | 1100.00.01 | Axe Cat.3<br>Pin Cat.3  |
| 2     | 2        | 1200.05.01 | Axe Cat 3<br>Top link pin Cat 3                               |
| 3     | 2        | 6258.13.15 | Douille d'attelage Lg:70mm<br>Hitch spacer length 70mm        |
| 4     | 2        | 6258.13.16 | Douille d'attelage Lg:25mm<br>Hitch spacer length 25mm        |
| 5     | 1        | 6258.13.20 | Rondelle 55/33x12<br>Washer 55/33x12                          |
| 6     | 1        | 6344.40.02 | Chaine de securité<br>Safety chain                            |
| 7     | 2        | 6344.40.03 | Chainette desecurité<br>Safety chain                          |
| 8     | 3        | 6344.40.19 | Chainette desecurité<br>Safety chain                          |
| 9     | 6        | 94D840A    | Goupille fendue 8x 40 ISO1234 Z<br>Cotter pin 8x 40 ISO1234 Z |
| 10    | 2        | VK 513     | Rondelle plate MU30 ZNBL<br>Flat washer MU30 ZNBL             |





*Dent-élément de herse VEG-18 cpl.*  
*Gare harrowing tine field VEG-18 cpl.*

| Index | Quantity | Reference  | Designation   |
|-------|----------|------------|---|
| 1     | 25       | 127DA12A   | Rondelle élastique A 12 DIN127 Z<br>Springwasher A 12 DIN127 Z        |
| 2     | 25       | 6242.17.01 | Dent VEG-18 cpl.<br>S-tine VEG-18 cpl.                                |
| 3     | 25       | 6251.01.03 | Support de dent<br>Tine holder  |
| 4     | 1        | 6253.59.01 | Élément de herse soudé<br>Harrow section welded                       |
| 5     | 25       | 931D1260PA | Vis H M12 x 60 ZNBL 8.8<br>Hex. Screw M12 x 60 Zinc 8.8               |
| 6     | 25       | 934D12PA   | Ecrou std H M12 - pas 175 Zingue<br>Nut std H M12 - thread 175 Zingue |



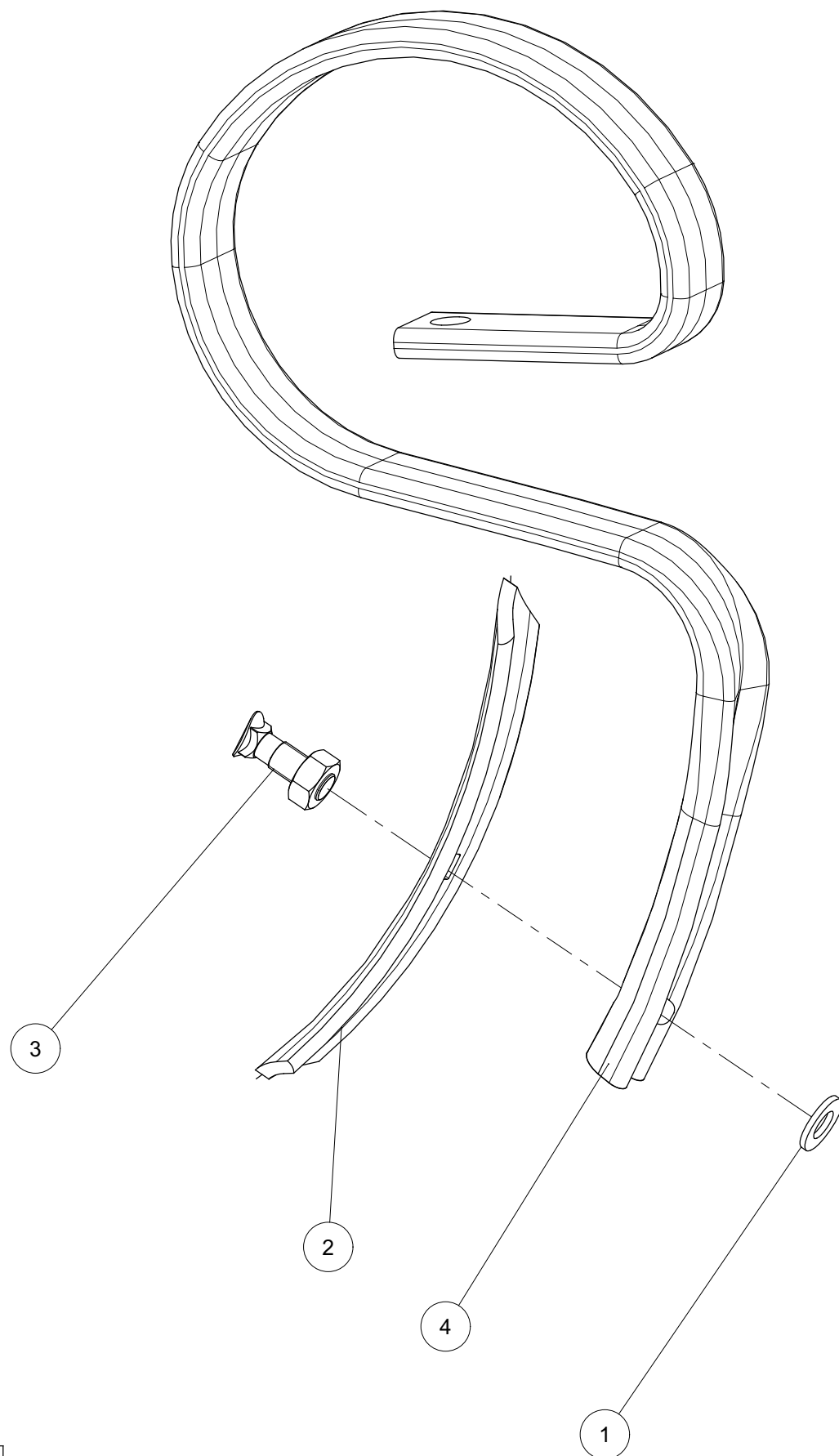




*Dent VEG-18 cpl.*

*S-tine VEG-18 cpl.*

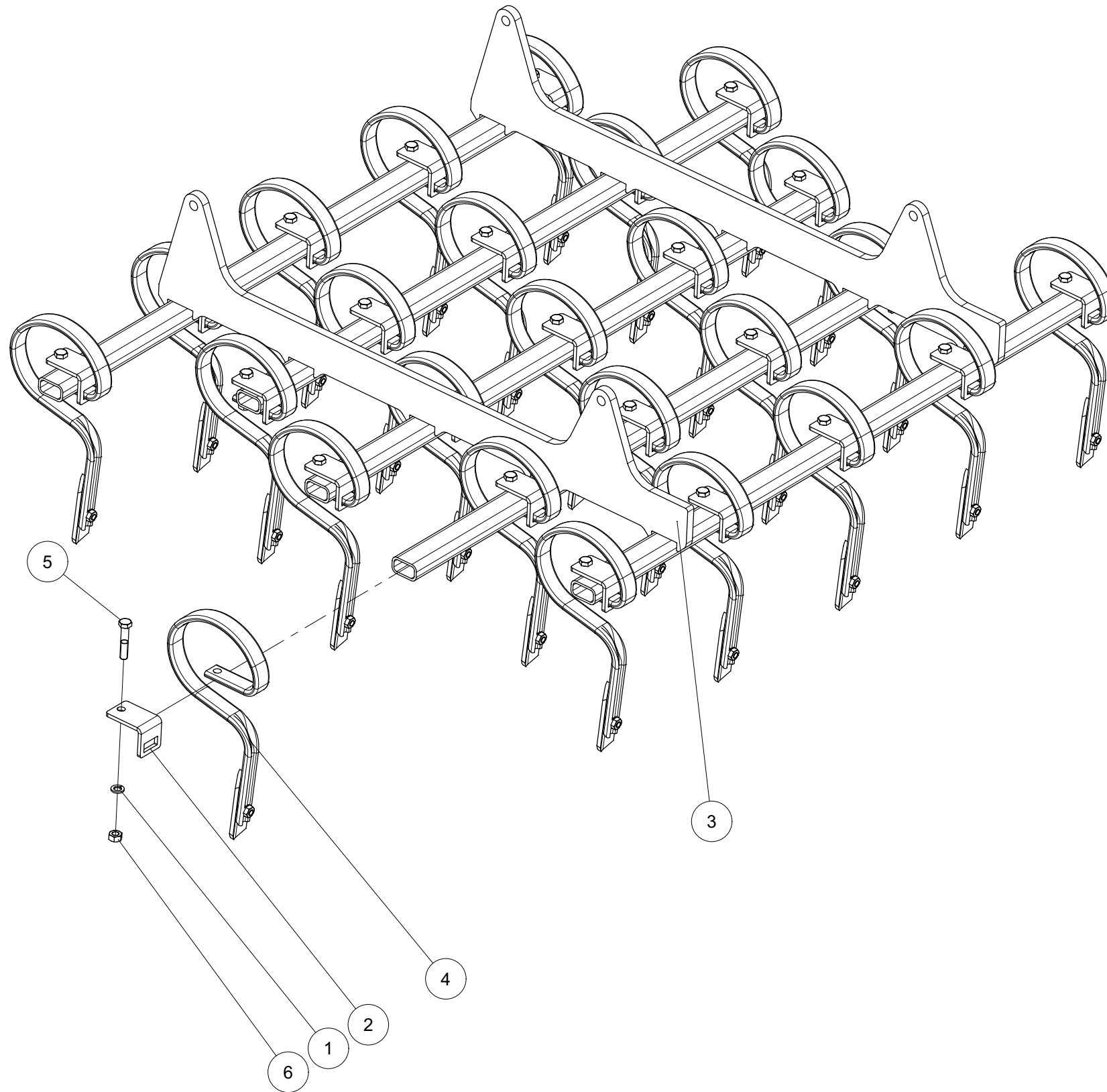
| Index | Quantity | Reference  | Designation  |
|-------|----------|------------|--|
| 1     | 1        | 125DA10.5A | Rondelle A 10.5 ISO 7089 Zinguée<br>Washer A 10.5 ISO 7089 Zinc. |
| 2     | 1        | 6242.08.02 | Soc GG - 12 pour P56/1<br>Share GG - 12 for P56/1                |
| 3     | 1        | 6242.08.04 | Vis SSS 10x35 + Ecrou<br>Bolt SSS 10x35 + Hex nut                |
| 4     | 1        | 6242.17.02 | Dent VEG-18<br>S-tine VEG-18                                     |





*Dent-élément de herse cpl.*  
*Gare harrowing tine field cpl.*

| Index | Quantity | Reference  | Designation   |
|-------|----------|------------|---|
| 1     | 25       | 127DA12A   | Rondelle élastique A 12 DIN127 Z<br>Springwascher A 12 DIN127 Z       |
| 2     | 25       | 6251.01.03 | Support de dent<br>Tine holder  |
| 3     | 1        | 6253.59.01 | Élément de herse soudé<br>Harrow section welded                       |
| 4     | 25       | 8007.63.00 | Dent debout raide 32x10 cpl.<br>Tine steep standing 32x10 cpl.        |
| 5     | 25       | 931D1260PA | Vis H M12 x 60 ZNBL 8.8<br>Hex. Screw M12 x 60 Zinc 8.8               |
| 6     | 25       | 934D12PA   | Ecrou std H M12 - pas 175 Zingue<br>Nut std H M12 - thread 175 Zingue |

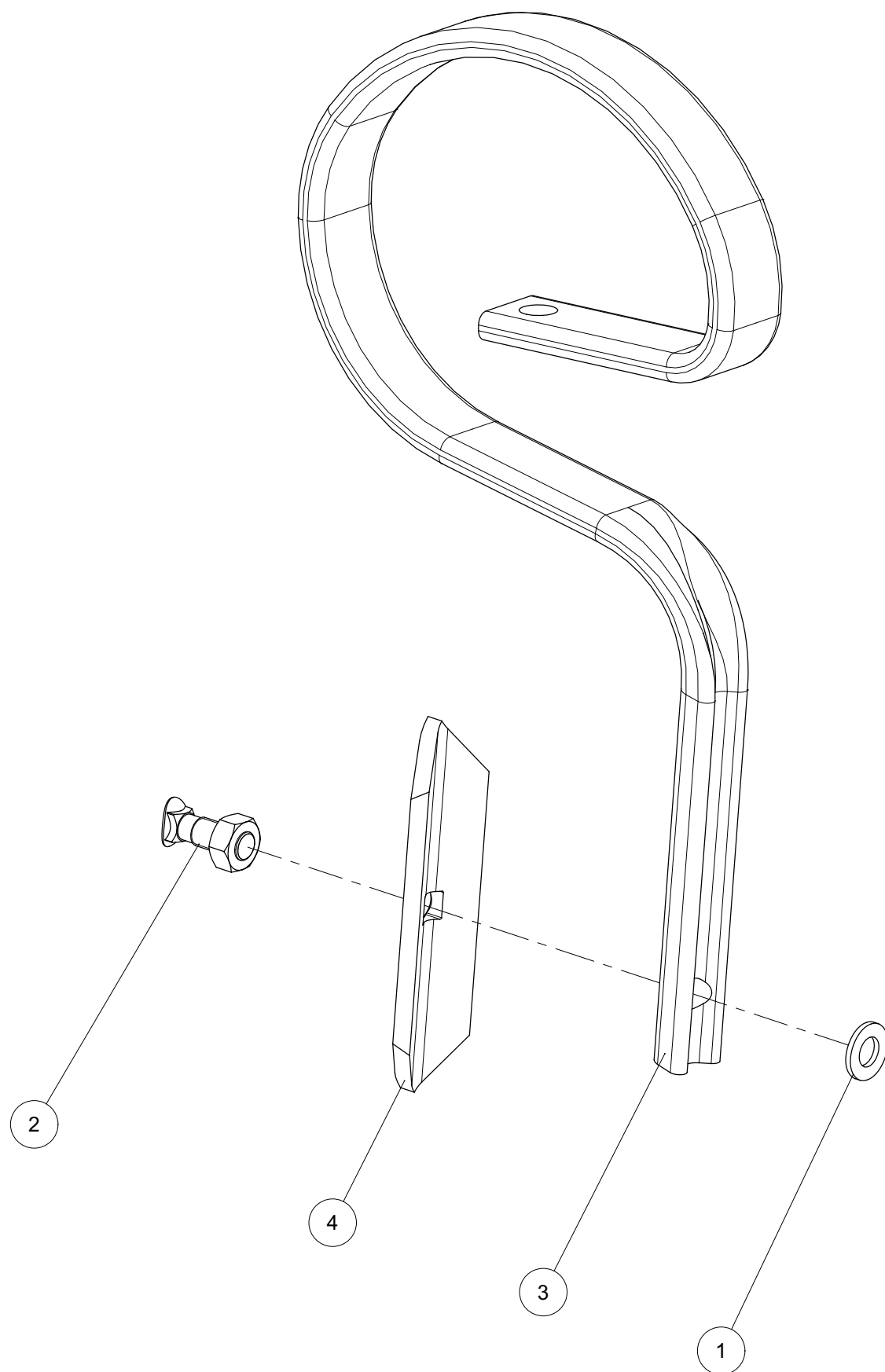




*Dent debout raide 32x10 cpl.*

*Tine steep standing 32x10 cpl.*

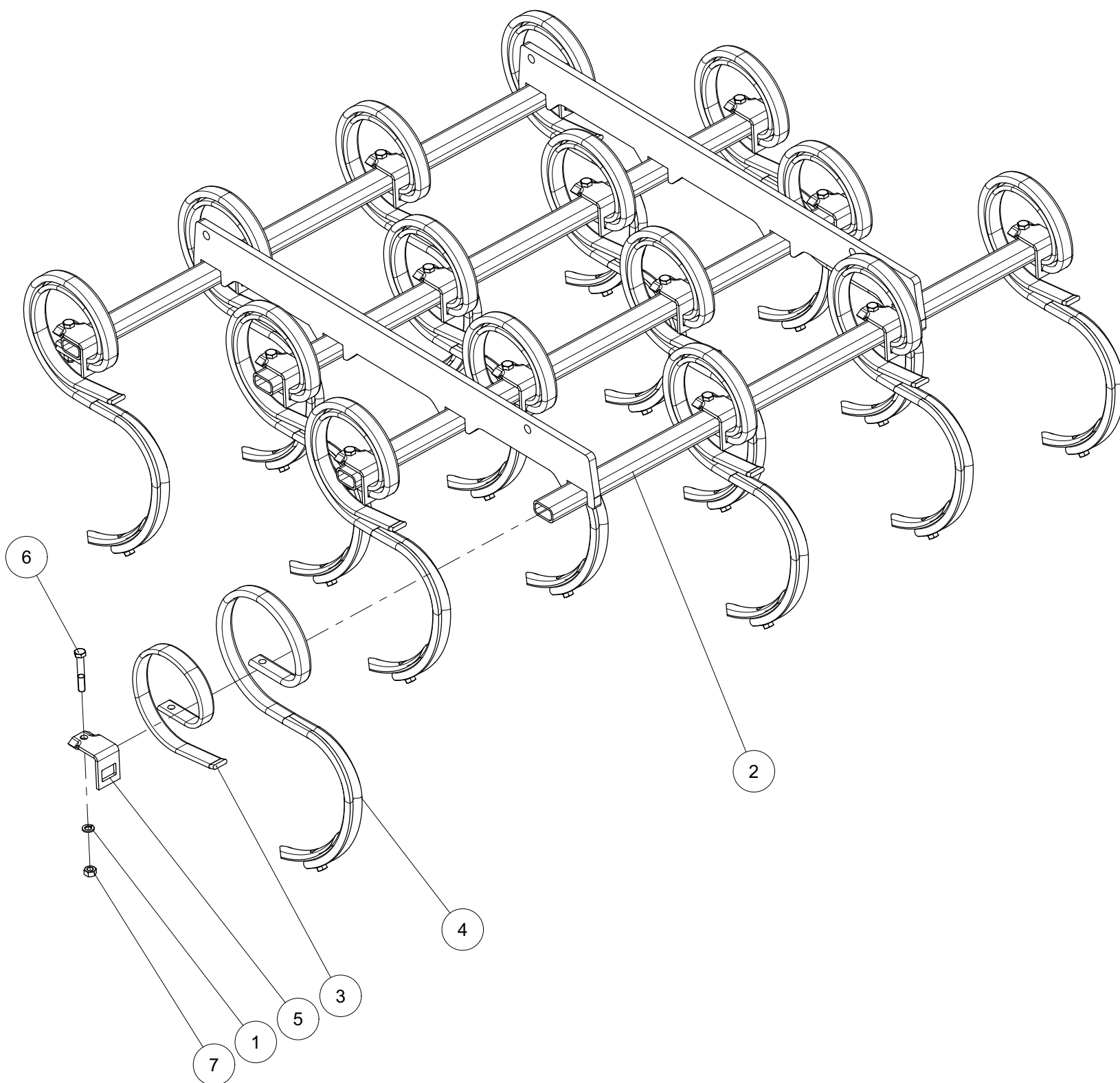
| Index | Quantity | Reference  | Designation  |
|-------|----------|------------|--|
| 1     | 1        | 125DA10.5A | Rondelle A 10.5 ISO 7089 Zinguée<br>Washer A 10.5 ISO 7089 Zinc. |
| 2     | 1        | 6242.08.04 | Vis SSS 10x35 + Ecrou<br>Bolt SSS 10x35 + Hex nut                |
| 3     | 1        | 8007.63.01 | Dent debout raide 32x10<br>Tine steep standing 32x10             |
| 4     | 1        | 8007.63.02 | Soc 40x6<br>Share 40x6   |





*Jeu de dents renforcés, élément de herse cpl.*

*Double spring tine, harrow section cpl.*

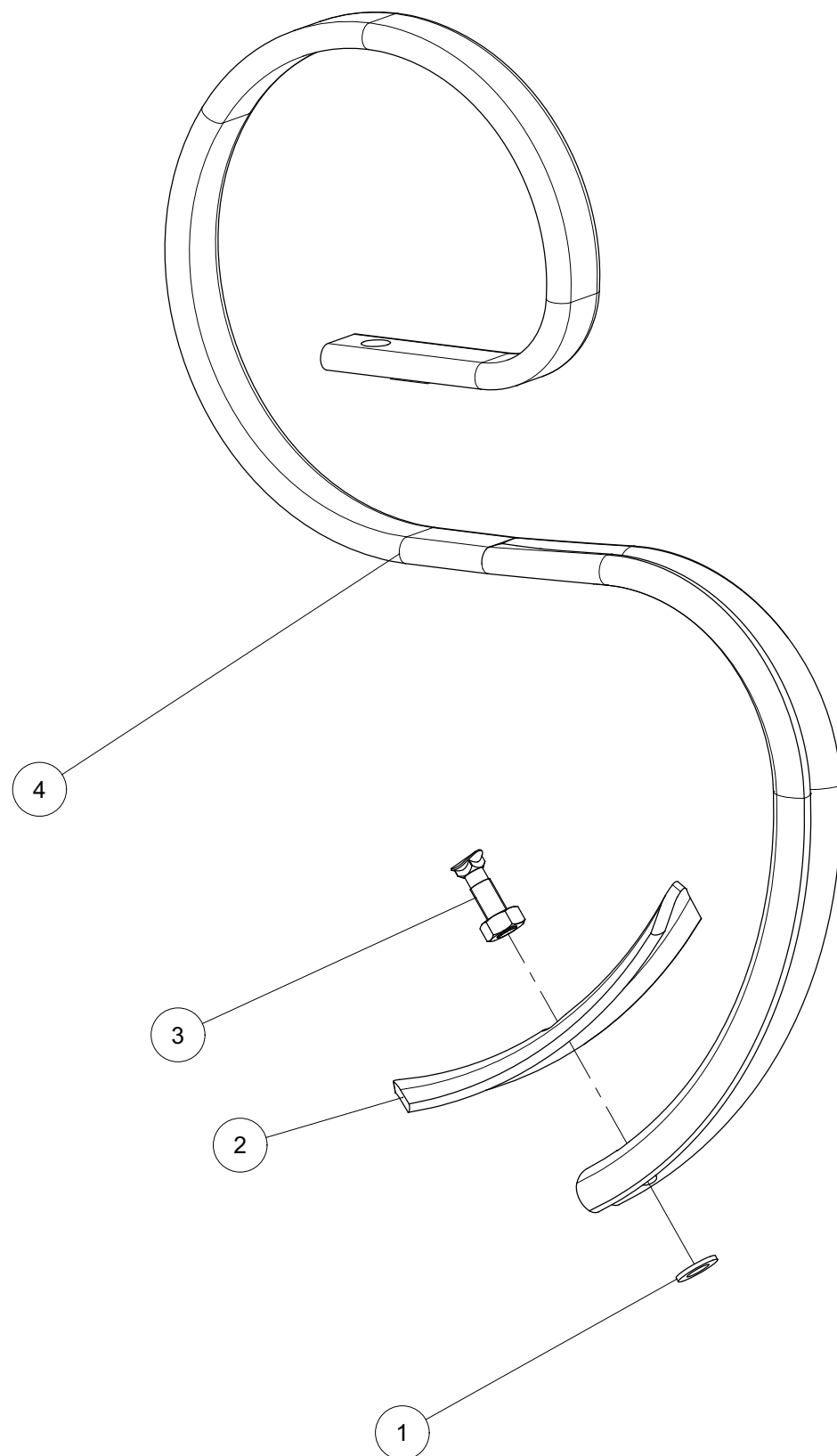


| Index | Quantity | Reference  | Designation   |
|-------|----------|------------|---|
| 1     | 16       | 127DA12A   | Rondelle élastique A 12 DIN127 Z<br>Springwascher A 12 DIN127 Z       |
| 2     | 1        | 6253.58.01 | Élément de herse<br>Harrow section                                    |
| 3     | 16       | 8007.33.02 | Renfort VEG-14<br>Reinforcement VEG-14                                |
| 4     | 16       | 8007.42.02 | Dents VEG-16 montées<br>Tines VEG-16 mounted                          |
| 5     | 16       | 8007.43.03 | Plaquette<br>Plate  |
| 6     | 16       | 931D1275PA | Vis H M12 x 75 ZNBL 8.8<br>Hex. Screw M12 x 75 Zinc 8.8               |
| 7     | 16       | 934D12PA   | Ecrou std H M12 - pas 175 Zingue<br>Nut std H M12 - thread 175 Zingue |



*Dents VEG-16 montées*  
*Tines VEG-16 mounted*

| Index | Quantity | Reference  | Designation  |
|-------|----------|------------|--|
| 1     | 1        | 126D11A    | Rondelle 11 ISO7091 ZNBL<br>Washer 11 ISO7091 ZNBL           |
| 2     | 1        | 8007.18.03 | Soc 40x5 GG-503<br>Share 40x5 GG-503                         |
| 3     | 1        | 8007.18.04 | Vis SSS 10x40 + Ecrou<br>Bolt SSS 10x40 + Hex nut            |
| 4     | 1        | 8007.42.01 | Dents de herse culture VEG-16<br>Culture harrow tines VEG-16 |



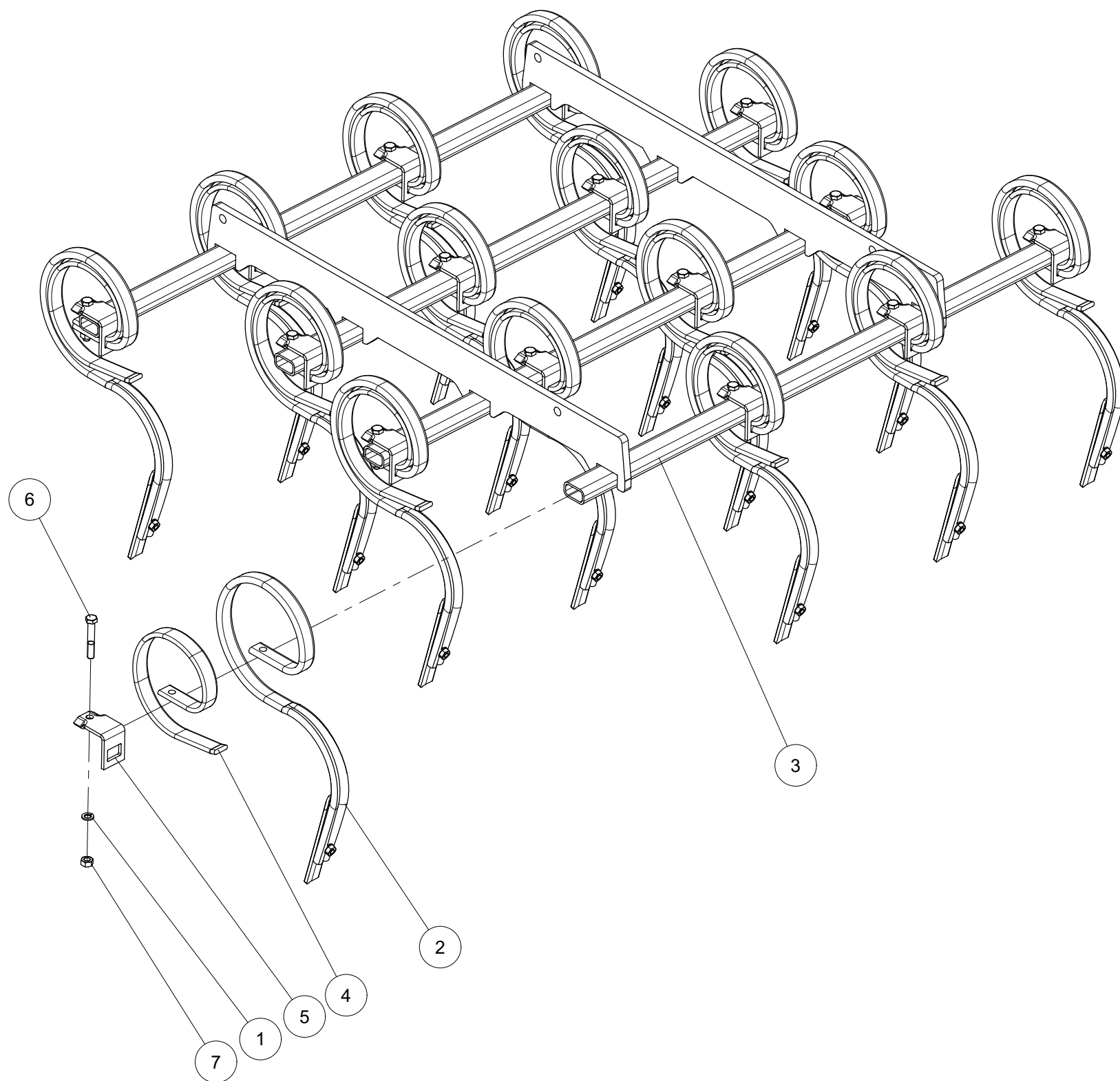
8007.42.02 (1/1)



*Vibra dent renforcées cpl.*

*Vibra tine reinforced cpl.*

| Index | Quantity | Reference  | Designation   |
|-------|----------|------------|---|
| 1     | 16       | 127DA12A   | Rondelle élastique A 12 DIN127 Z<br>Springwasher A 12 DIN127 Z        |
| 2     | 16       | 6251.77.01 | Vibra dent avec Soc monté<br>Vibra tine with share mounted            |
| 3     | 1        | 6253.58.01 | Elément de herse<br>Harrow section                                    |
| 4     | 16       | 8007.33.02 | Renfort VEG-14<br>Reinforcement VEG-14                                |
| 5     | 16       | 8007.43.03 | Plaquette<br>Plate  |
| 6     | 16       | 931D1275PA | Vis H M12 x 75 ZNBL 8.8<br>Hex. Screw M12 x 75 Zinc 8.8               |
| 7     | 16       | 934D12PA   | Ecrou std H M12 - pas 175 Zingue<br>Nut std H M12 - thread 175 Zingue |



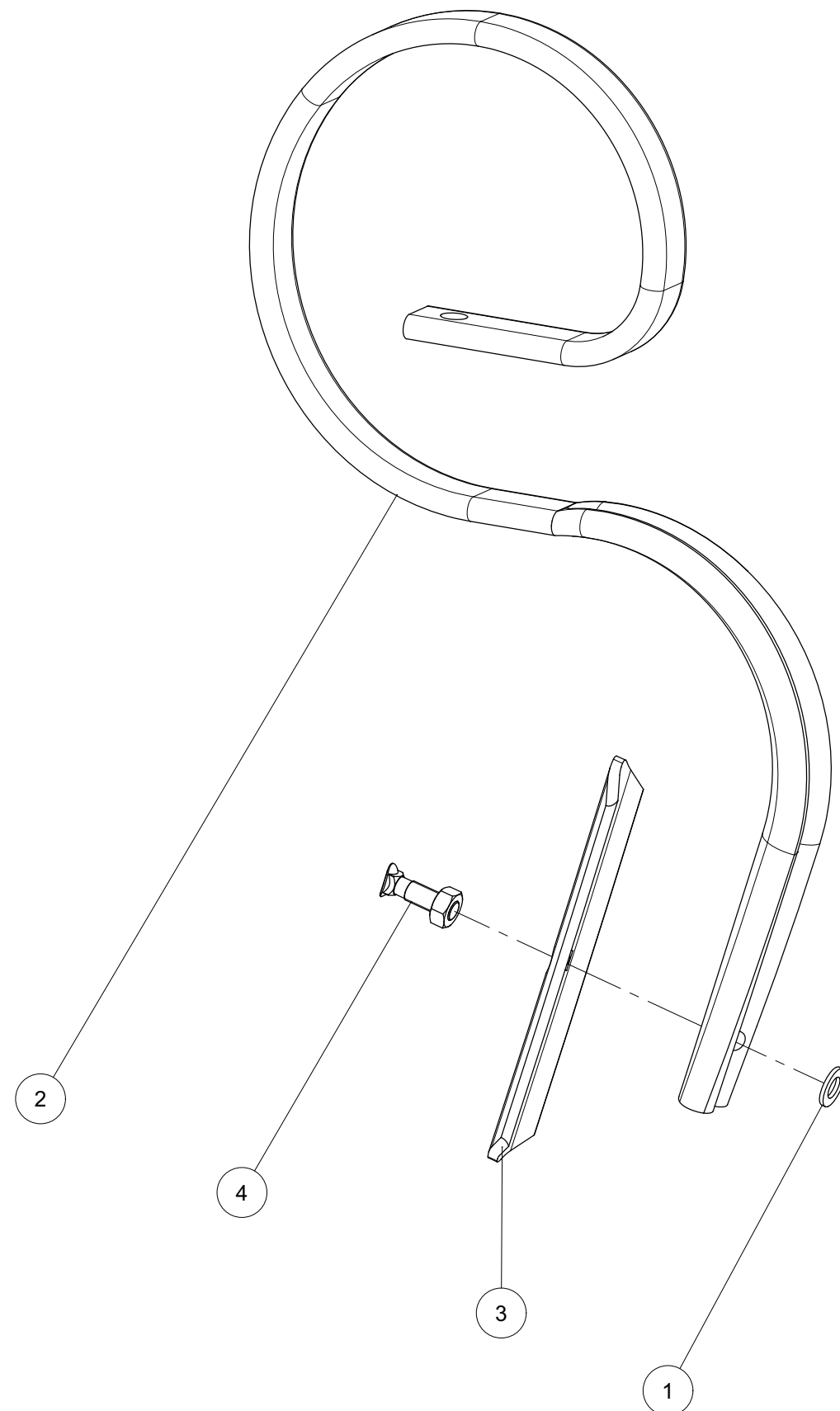




*Vibra dent avec Soc monté*

*Vibra tine with share mounted*

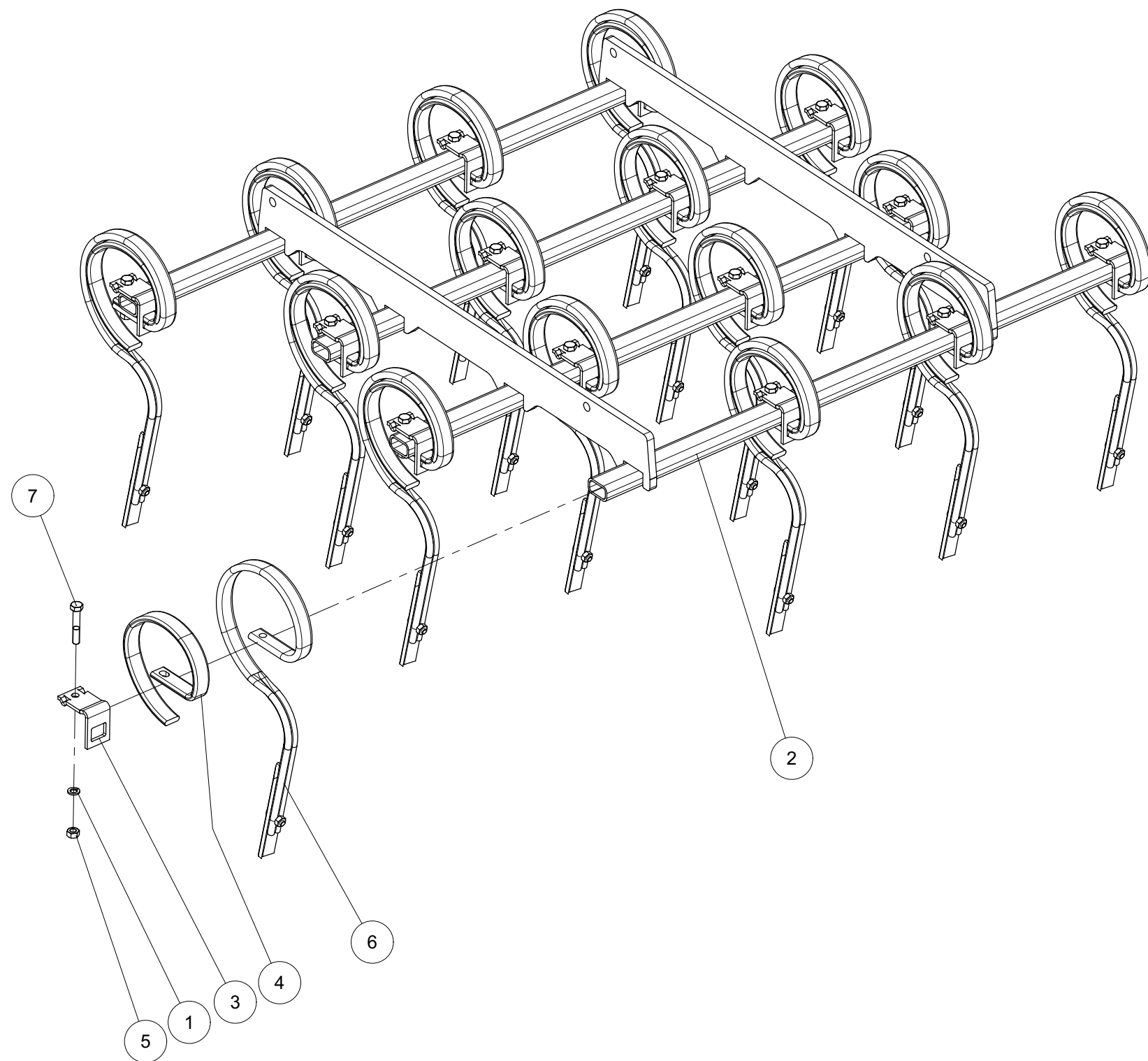
| Index | Quantity | Reference  | Designation  |
|-------|----------|------------|--|
| 1     | 1        | 126D11A    | Rondelle 11 ISO7091 ZNBL<br>Washer 11 ISO7091 ZNBL |
| 2     | 1        | 6251.77.02 | Vibra dent 32x12<br>Vibra tine 32x12               |
| 3     | 1        | 6251.77.03 | Soc<br>Share                                       |
| 4     | 1        | 8007.18.04 | Vis SSS 10x40 + Ecrou<br>Bolt SSS 10x40 + Hex nut  |





*Element dents droites renforcées cpl.*  
*Element reinforced straight tines cpl.*

| Index | Quantity | Reference  | Designation   |
|-------|----------|------------|---|
| 1     | 16       | 127DA12A   | Rondelle élastique A 12 DIN127 Z<br>Springwasher A 12 DIN127 Z        |
| 2     | 1        | 6253.58.01 | Elément de herse<br>Harrow section                                    |
| 3     | 16       | 6253.58.12 | Plaque 32x12+10 / 50x30<br>Plate 32x12+10 / 50x30                     |
| 4     | 16       | 6253.58.13 | Renfort DR 32x10<br>Reinforcement DR 32x10                            |
| 5     | 16       | 934D12PA   | Ecrou std H M12 - pas 175 Zingue<br>Nut std H M12 - thread 175 Zingue |
| 6     | 16       | DBDT 3212  | Dent 32x12 avec soc cpl.<br>Vibra tine 32x12 with share cpl.          |
| 7     | 16       | VI 29 16   | Vis H M12x 70 - 8.8 ZNBL<br>Screw H M12x 70 - 8.8 ZNBL                |



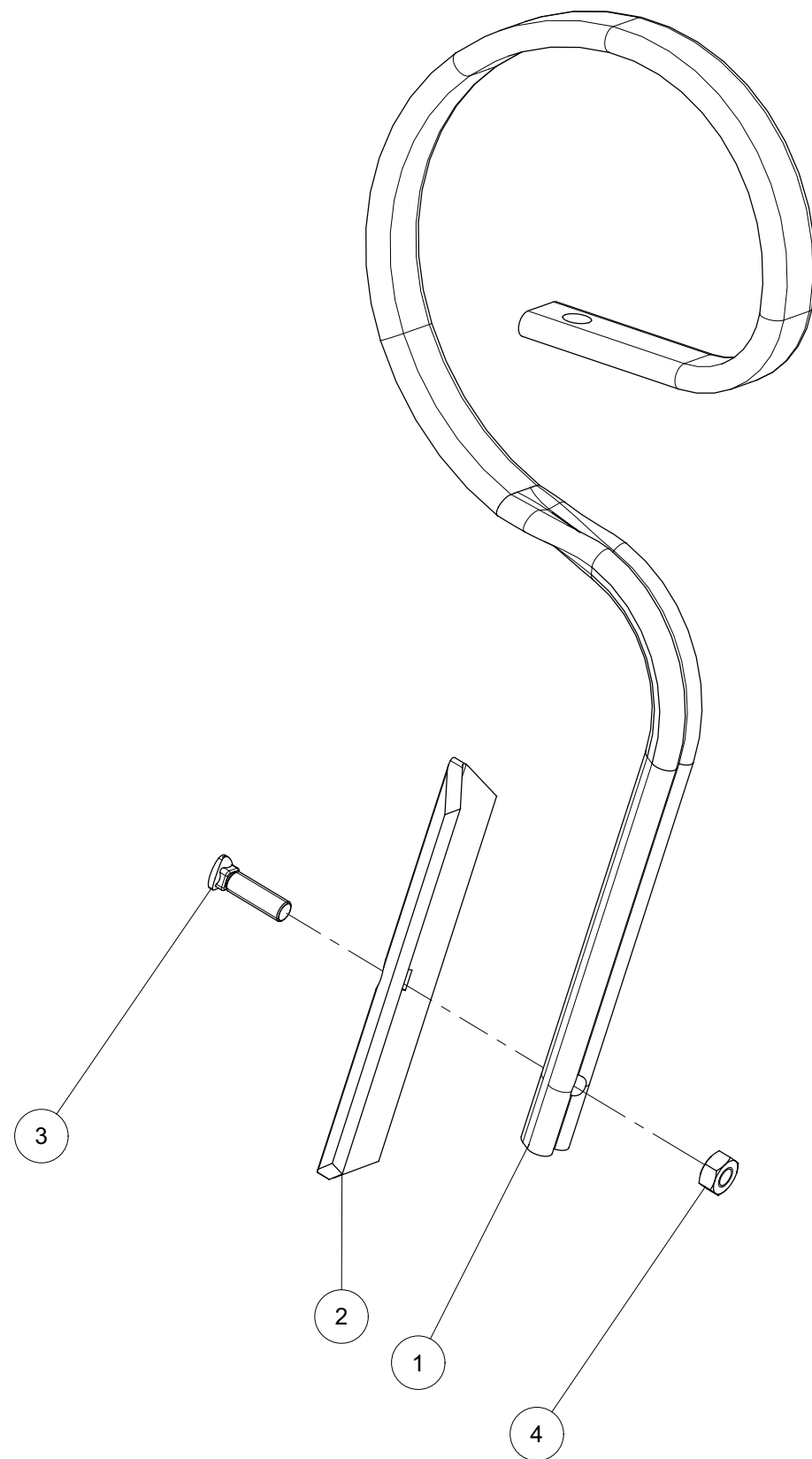
6253.58.11 (1/1)





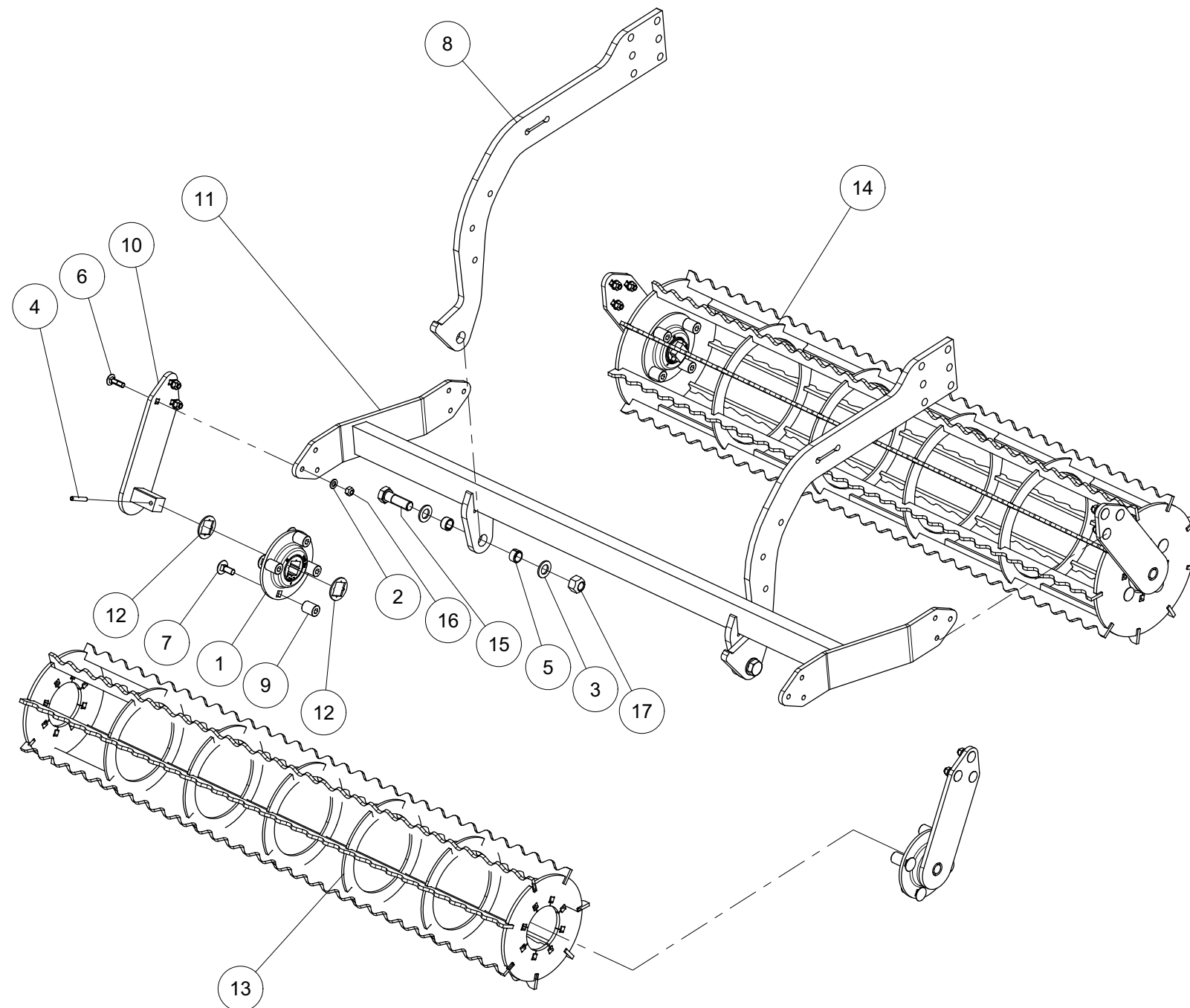
*Dent 32x12 avec soc cpl.*  
*Vibra tine 32x12 with share cpl.*

| Index | Quantity | Reference | Designation   |
|-------|----------|-----------|---|
| 1     | 1        | 7 C 00211 | Dent 32x12 nue<br>Vibra tines 32x12                               |
| 2     | 1        | FOMA 0017 | Soc droit 215x40x6<br>Share 215x40x6                              |
| 3     | 1        | M 230 806 | Vis TFCC M10x38 Cl.8.8 Pas150<br>Screw TFCC M10x38 Cl.8.8 Pas 150 |
| 4     | 1        | VJ 607    | Ecrou HU M10 - 8 ZNBL<br>Nut HU M10 - 8 ZNBL                      |





*Rouleau denté pointu Tandem TillXtrem*  
*Pointed toothed roller Tandem TillXtrem*



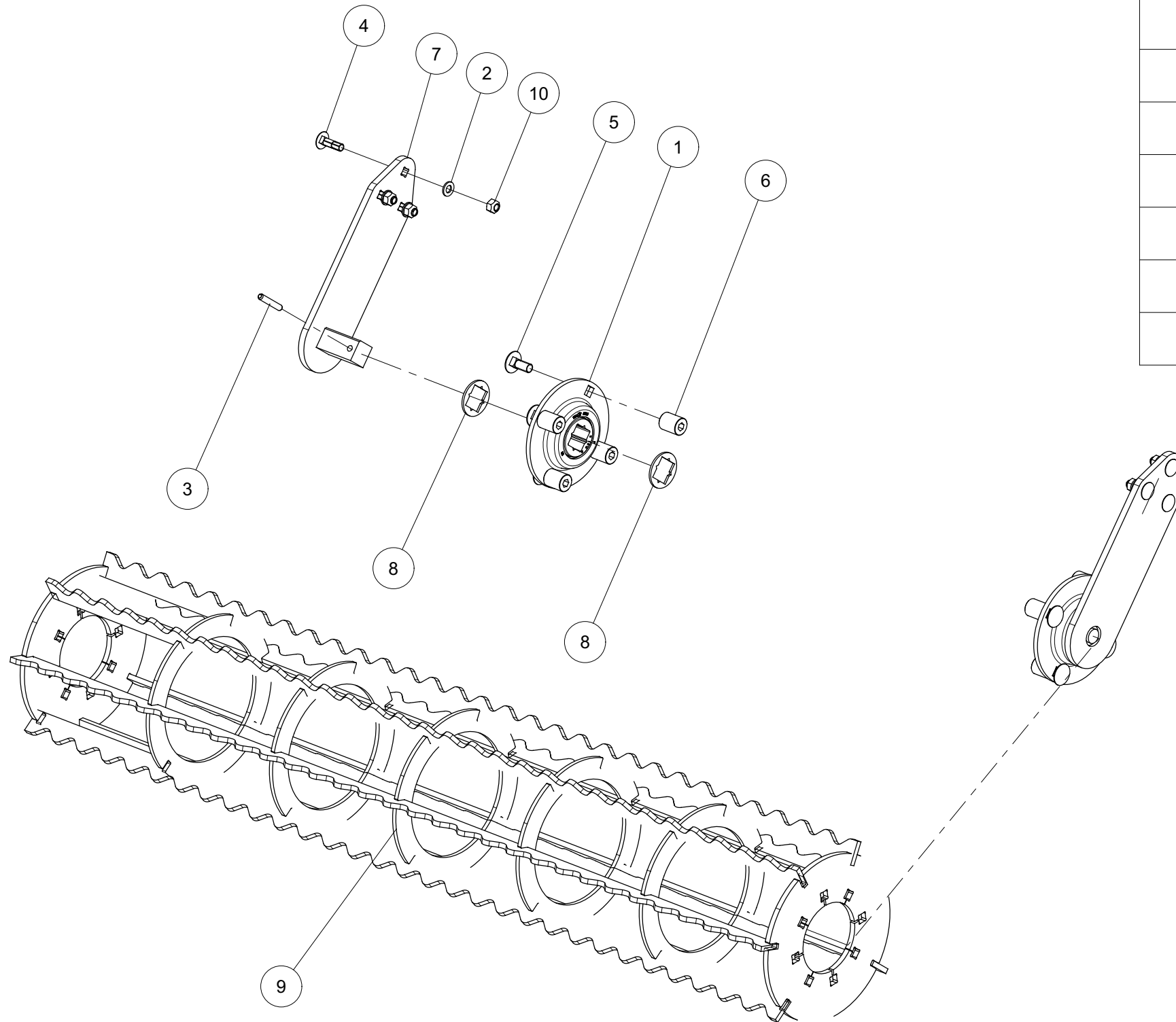
| Index | Quantity | Reference   | Designation   |
|-------|----------|-------------|---|
| 1     | 4        | 6 300 938   | Palier 209 C30 TillXtreme (BTE938)<br>Bearing 209 C30 TillXtreme (BTE938) |
| 2     | 12       | 125DA10.5A  | Rondelle A 10.5 ISO 7089 Zinguée<br>Washer A 10.5 ISO 7089 Zinc.          |
| 3     | 4        | 125DA21A    | Rondelle A 21 ISO7089 ZNBL<br>Washer A 21 ISO7089 Zinc.                   |
| 4     | 4        | 1481D850A   | Goupille elastique 8 X 50 ISO8752 Z<br>Spring Pin 8 X 50 ISO8752 Z        |
| 5     | 4        | 1498D202614 | Douille EG 20/26x14 DIN1498<br>Bush EG 20/26x14 DIN1498                   |
| 6     | 12       | 603D1035PA  | Vis TRCC M10x35 ISO8677-8.8 ZNBL<br>Round-head bolt M10x35 ISO8677-8.8 Z  |
| 7     | 16       | 603D1230PA  | Vis TRCC M12x30 ISO8677-8.8 ZNBL<br>Round-head bolt M12x30 ISO8677-8.8 Z  |
| 8     | 2        | 6258.23.39  | Levier<br>Lever   |
| 9     | 16       | 6812.25.15  | Ecrou spéciale M 12x30<br>Special nut M 12x30                             |
| 10    | 4        | 6812.25.34  | Bras de support SQ 30<br>Support arm SQ 30                                |
| 11    | 1        | 6812.25.67  | Porteur soudé<br>Welded carrier   |
| 12    | 8        | 6812.25.92  | Rondelle de calage palier<br>Adjusting washer                             |
| 13    | 1        | 6812.27.80  | Rouleau denté pointu D270<br>Pointed toothed roller D270                  |
| 14    | 1        | 6812.27.81  | Rouleau denté pointu D330<br>Pointed toothed roller D330                  |
| 15    | 2        | 931D2065NA  | Vis H M20 x 65 ZNBL 10.9<br>Hex. Screw M20 x 65 Zinc 10.9                 |
| 16    | 12       | 980DV10PA   | Ecrou M10 ZNBL 8.8<br>Nut M10 Zinc 8.8                                    |
| 17    | 2        | 980DV20NA   | Ecrou M20 ZNBL 10.9<br>Nut M20 Zinc 10.9                                  |



*Kit Rouleau denté pointu D270 TillXtrem*

*Kit Pointed toothed roller D270 TillXtrem*

| Index | Quantity | Reference  | Designation   |
|-------|----------|------------|---|
| 1     | 2        | 6 300 938  | Palier 209 C30 TillXtreme (BTE938)<br>Bearing 209 C30 TillXtreme (BTE938) |
| 2     | 6        | 125DA10.5A | Rondelle A 10.5 ISO 7089 Zinguée<br>Washer A 10.5 ISO 7089 Zinc.          |
| 3     | 2        | 1481D850A  | Goupille elastique 8 X 50 ISO8752 Z<br>Spring Pin 8 X 50 ISO8752 Z        |
| 4     | 6        | 603D1035PA | Vis TRCC M10x35 ISO8677-8.8 ZNBL<br>Round-head bolt M10x35 ISO8677-8.8 Z  |
| 5     | 8        | 603D1230PA | Vis TRCC M12x30 ISO8677-8.8 ZNBL<br>Round-head bolt M12x30 ISO8677-8.8 Z  |
| 6     | 8        | 6812.25.15 | Ecrou spéciale M 12x30<br>Special nut M 12x30                             |
| 7     | 2        | 6812.25.34 | Bras de support SQ 30<br>Support arm SQ 30                                |
| 8     | 4        | 6812.25.92 | Rondelle de calage palier<br>Adjusting washer                             |
| 9     | 1        | 6812.27.80 | Rouleau denté pointu D270<br>Pointed toothed roller D270                  |
| 10    | 6        | 980DV10PA  | Ecrou M10 ZNBL 8.8<br>Nut M10 Zinc 8.8                                    |

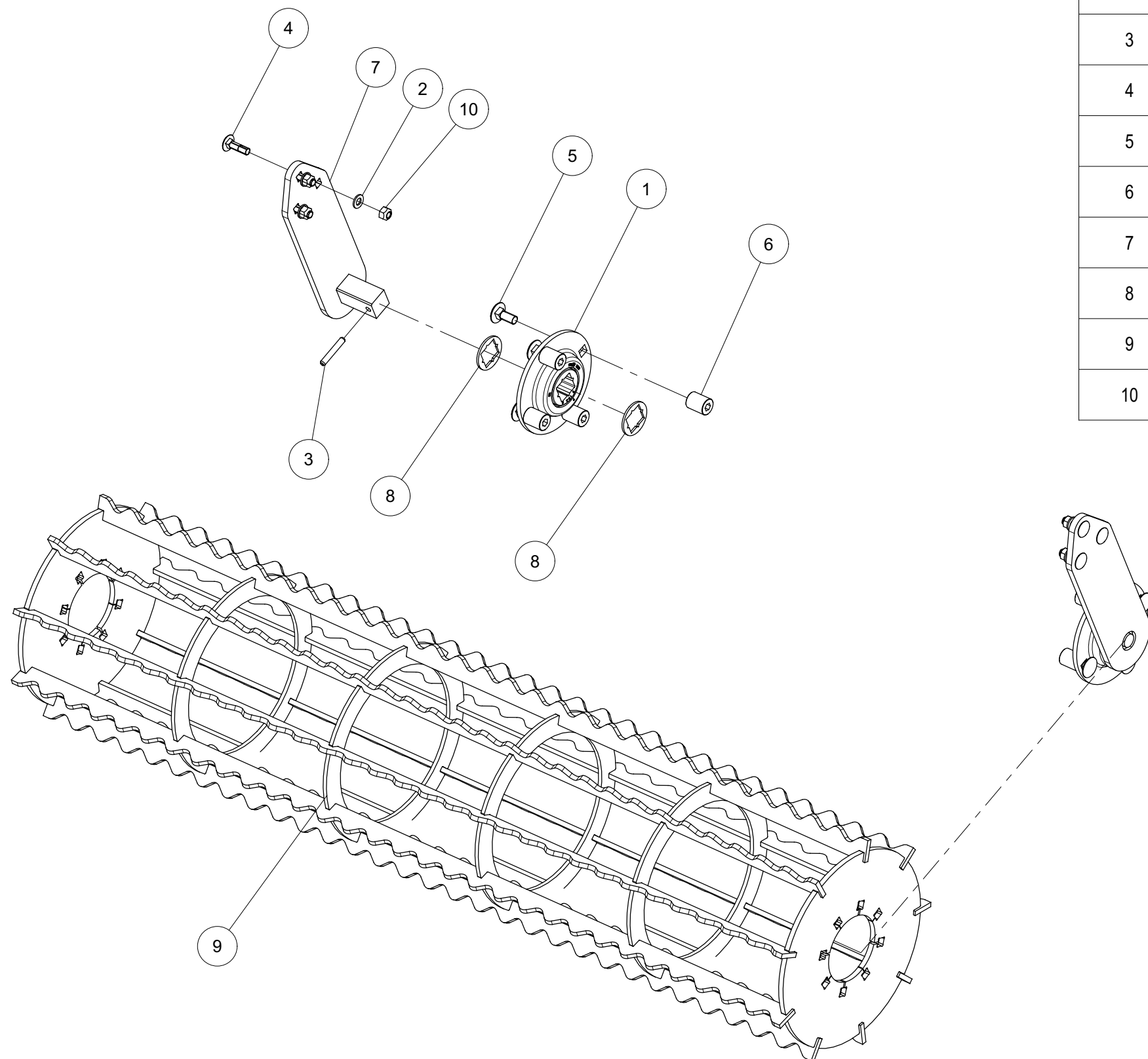




*Kit Rouleau denté pointu D330 TillXtrem*

*Kit Pointed toothed roller D330 TillXtrem*

| Index | Quantity | Reference  | Designation   |
|-------|----------|------------|---|
| 1     | 2        | 6 300 938  | Palier 209 C30 TillXtreme (BTE938)<br>Bearing 209 C30 TillXtreme (BTE938) |
| 2     | 6        | 125DA10.5A | Rondelle A 10.5 ISO 7089 Zinguée<br>Washer A 10.5 ISO 7089 Zinc.          |
| 3     | 2        | 1481D850A  | Goupille elastique 8 X 50 ISO8752 Z<br>Spring Pin 8 X 50 ISO8752 Z        |
| 4     | 6        | 603D1035PA | Vis TRCC M10x35 ISO8677-8.8 ZNBL<br>Round-head bolt M10x35 ISO8677-8.8 Z  |
| 5     | 8        | 603D1230PA | Vis TRCC M12x30 ISO8677-8.8 ZNBL<br>Round-head bolt M12x30 ISO8677-8.8 Z  |
| 6     | 8        | 6812.25.15 | Ecrou spéciale M 12x30<br>Special nut M 12x30                             |
| 7     | 2        | 6812.25.34 | Bras de support SQ 30<br>Support arm SQ 30                                |
| 8     | 4        | 6812.25.92 | Rondelle de calage palier<br>Adjusting washer                             |
| 9     | 1        | 6812.27.81 | Rouleau denté pointu D330<br>Pointed toothed roller D330                  |
| 10    | 6        | 980DV10PA  | Ecrou M10 ZNBL 8.8<br>Nut M10 Zinc 8.8                                    |

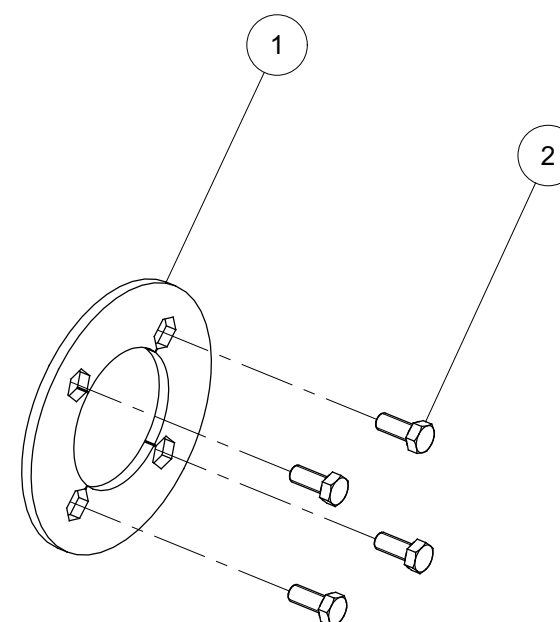
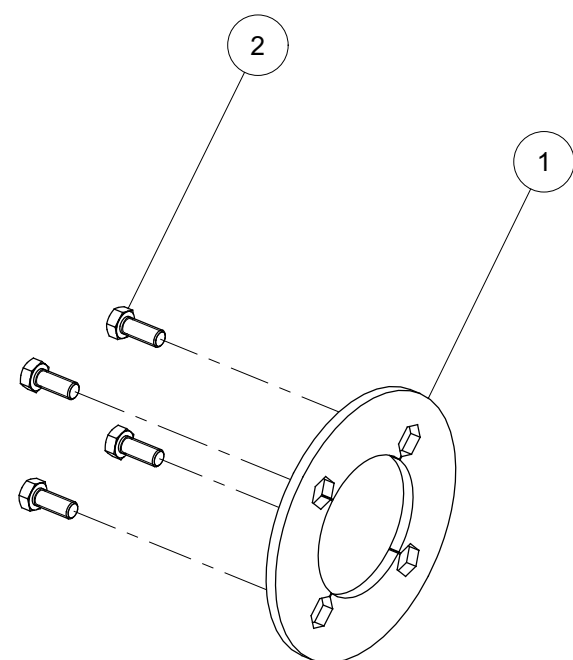




*Set de couverture 6-kt. 270/190*

*Set Cover Steel 6-kt. 270/190*

| Index | Quantity | Reference  | Designation   |
|-------|----------|------------|---|
| 1     | 2        | 6812.27.58 | Anneau de soudage D190 6-kt.SW19 (D270)<br>Welding ring D190 6-kt.SW19 (D270) |
| 2     | 8        | VI 29 04   | Vis H M12x 30 - 8.8 ZNBL<br>Screw H M12x 30 - 8.8 ZNBL                        |

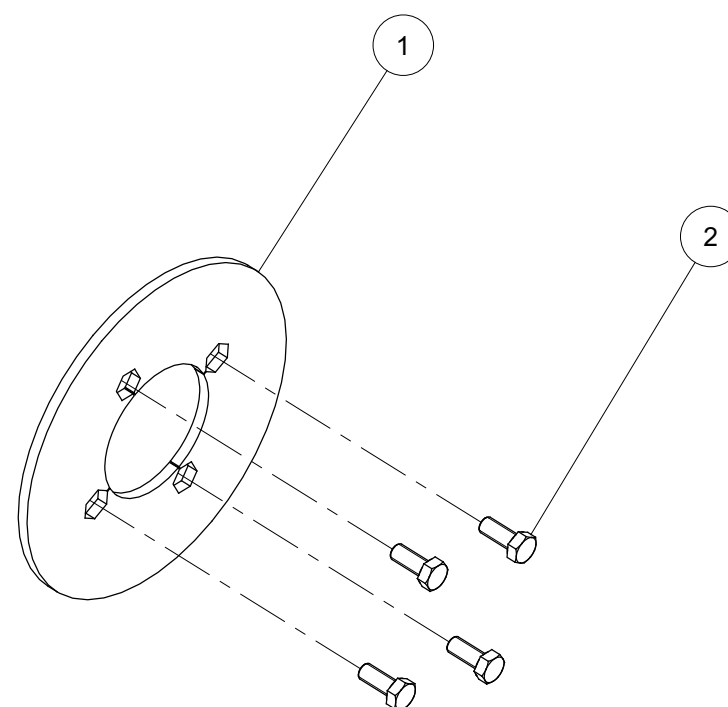
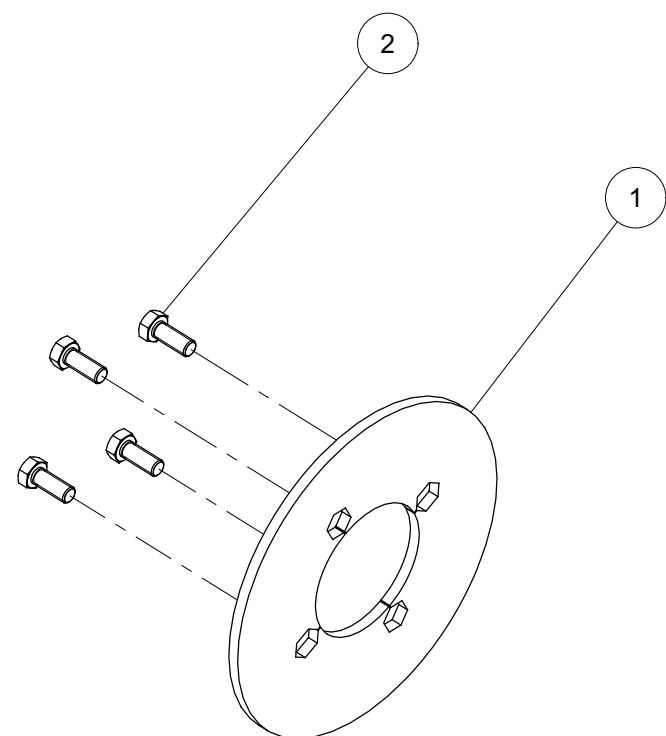




*Set de couverture en acier 6-kt. 330/250*

*Set Cover Steel 6-kt. 330/250*

| Index | Quantity | Reference  | Designation   |
|-------|----------|------------|---|
| 1     | 2        | 6812.27.65 | Anneau de soudage D250 6-kt. SW19 (D330)<br>Welding ring D250 6-kt. SW19 (D330) |
| 2     | 8        | VI 29 04   | Vis H M12x 30 - 8.8 ZNBL<br>Screw H M12x 30 - 8.8 ZNBL                          |

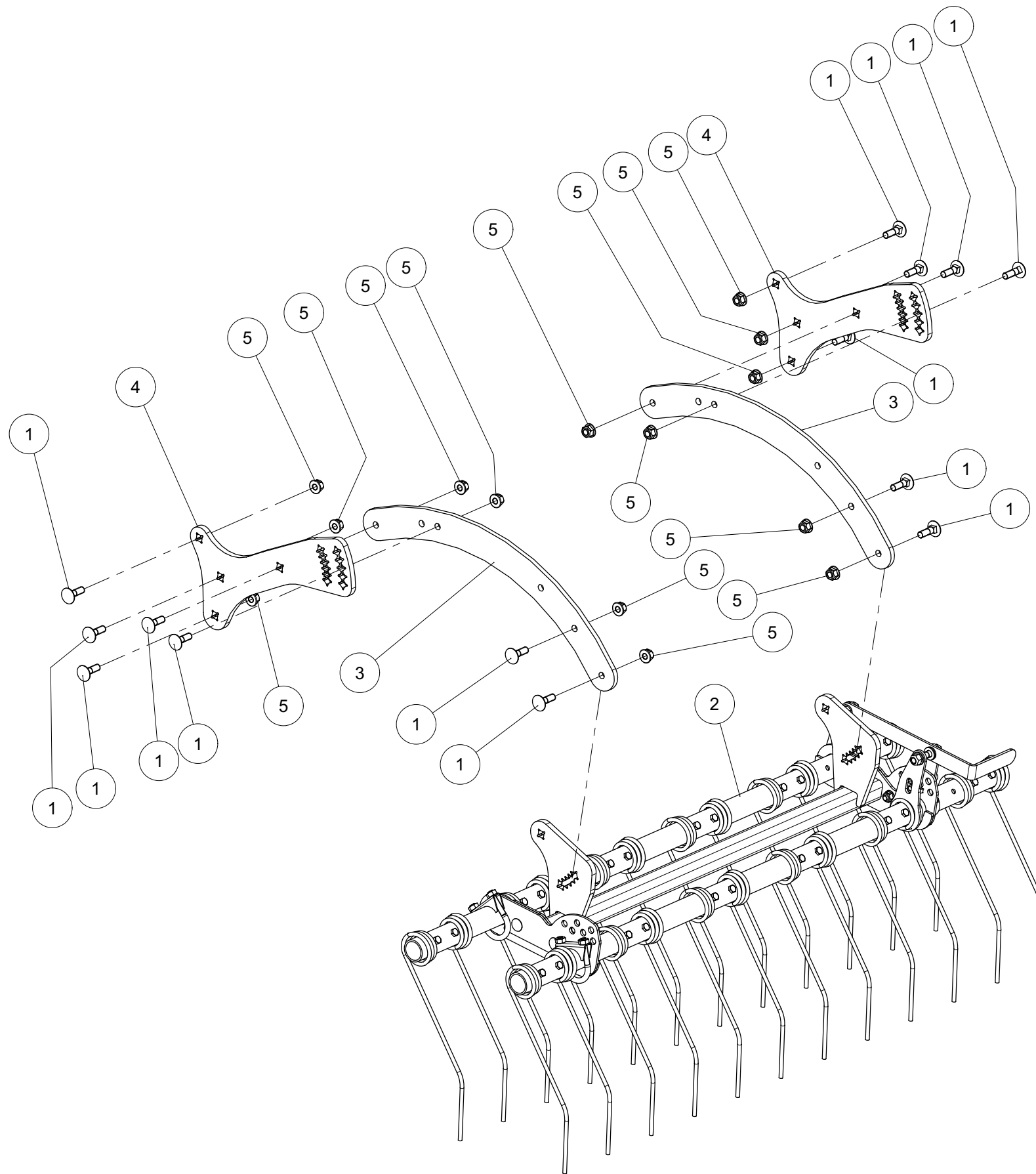






*Herse L 2 Rh. Ø 7 Mont.*

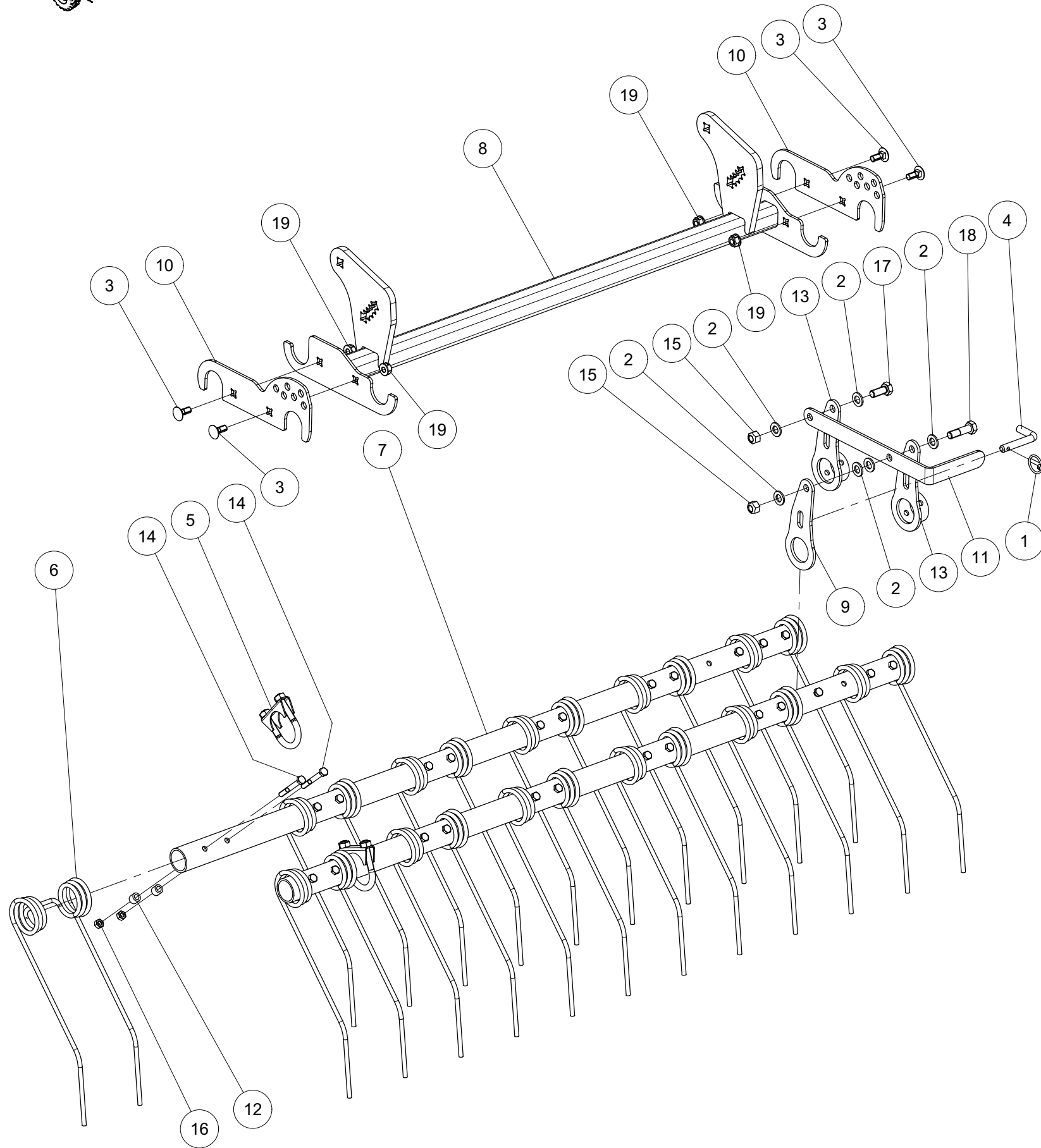
*Harrow L 2 Rh. Ø 7 Mont.*



| Index | Quantity | Reference  | Designation  |
|-------|----------|------------|--|
| 1     | 14       | 603D1240PA | Vis TRCC M12x40 ISO8677-8.8 ZNBL<br>Round-head bolt M12x40 ISO8677-8.8 Z |
| 2     | 1        | 6258.23.02 | Herse Ø 7 pré-montée<br>Harrow Ø 7 pre-assembled                         |
| 3     | 2        | 6258.23.28 | Guidon-L<br>Handlebars-L   |
| 4     | 2        | 6258.23.41 | Bras porteu-L<br>Bearing arm-L   |
| 5     | 14       | VJ 157     | Ecrou HEFR M12 emb. S.Lock Cl.10<br>HEFR M12 Flg nut Gr.10 ZNBL          |



*Herse Ø 7 pré-montée*  
*Harrow Ø 7 pre-assembled*



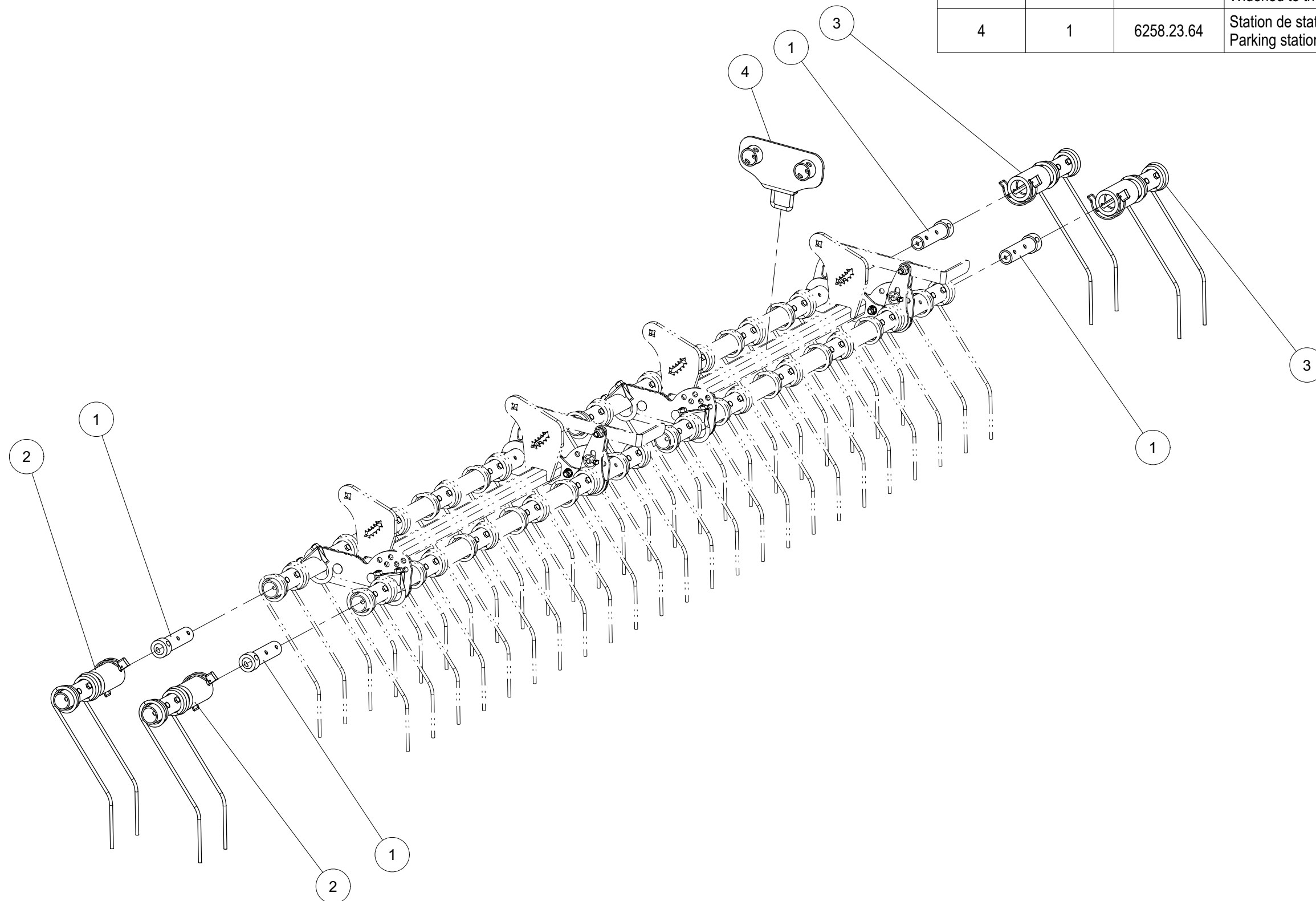
| Index | Quantity | Reference  | Designation   |
|-------|----------|------------|---|
| 1     | 1        | 11023D532A | Goupille "Clips" Dia 5 Z<br>Lynch pin Dia5  |
| 2     | 6        | 125DA13A   | Rondelle A 13 ISO7089 ZNBL<br>Washer A 13 ISO7089 Zinc.                               |
| 3     | 4        | 603D1025PA | Vis TRCC M10x25 ISO8677-8.8 ZNBL<br>Round-head bolt M10x25 ISO8677-8.8 Z              |
| 4     | 1        | 6241.29.02 | Axe TB-12x50<br>Pin TB-12x50  |
| 5     | 2        | 6258.22.16 | Collier de serrage<br>Pipe clamp  |
| 6     | 12       | 6258.23.10 | Dents de herse D7<br>Harrow tines   |
| 7     | 2        | 6258.23.20 | Tube de herse<br>Harrow tine support tube   |
| 8     | 1        | 6258.23.22 | Cadre support soudé<br>Welded supporting frame  |
| 9     | 1        | 6258.23.25 | Rabat pivotant<br>Swivel flap   |
| 10    | 2        | 6258.23.26 | Plaque de retenue<br>Retaining plate  |
| 11    | 1        | 6258.23.30 | Levier de réglage<br>Adjusting lever  |
| 12    | 24       | 6258.23.35 | Bague de butée<br>stopper   |
| 13    | 2        | 6258.23.36 | Rabat pivotant soudé<br>Swivel flap welded  |
| 14    | 26       | 931D865PA  | Vis H M8 x 65 ZNBL 8.8<br>Hex. Screw M8 x 65 Zinc 8.8                                 |
| 15    | 2        | 980DV12PA  | Ecrou M12 ZNBL 8.8<br>Nut M12 Zinc 8.8  |
| 16    | 26       | 980DV8PA   | Ecrou M8 ZNBL 8.8<br>Nut M8 Zinc 8.8  |
| 17    | 1        | VI 29 04   | Vis H M12x 30 - 8.8 ZNBL<br>Screw H M12x 30 - 8.8 ZNBL                                |
| 18    | 1        | VI 29 09   | Vis H M12x 45 - 10.9 ZNBL, filet /20 mm<br>Screw H M12x 45 - 10.9 ZNBL, thread /20 mm |
| 19    | 4        | VJ 141     | Ecrou HEFR M10 emb. S.Lock Cl.10<br>HEFR M10 Flg nut Gr.10 ZNBL                       |





*Frontiér herse D7 cpl.*  
*Tine harrow border D7 cpl.*

| Index | Quantity | Reference  | Designation  |
|-------|----------|------------|--|
| 1     | 4        | 6258.23.58 | Adaptateur<br>Adapter                                      |
| 2     | 2        | 6258.23.62 | Élargi à gauche<br>Widened to the left                     |
| 3     | 2        | 6258.23.63 | Élargi à droite<br>Widened to the right                    |
| 4     | 1        | 6258.23.64 | Station de stationnement montée<br>Parking station mounted |

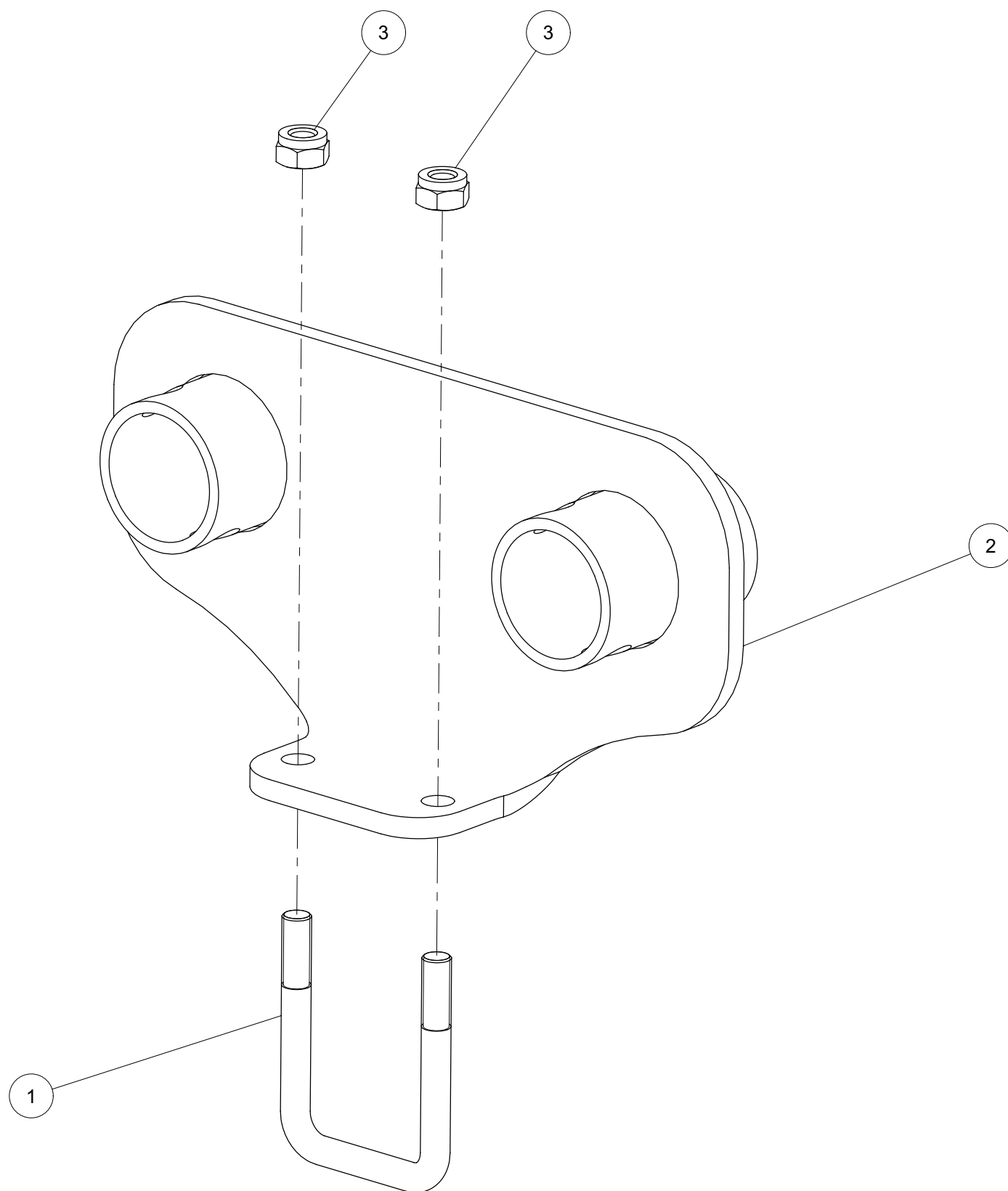


6258.23.75 (1/1)



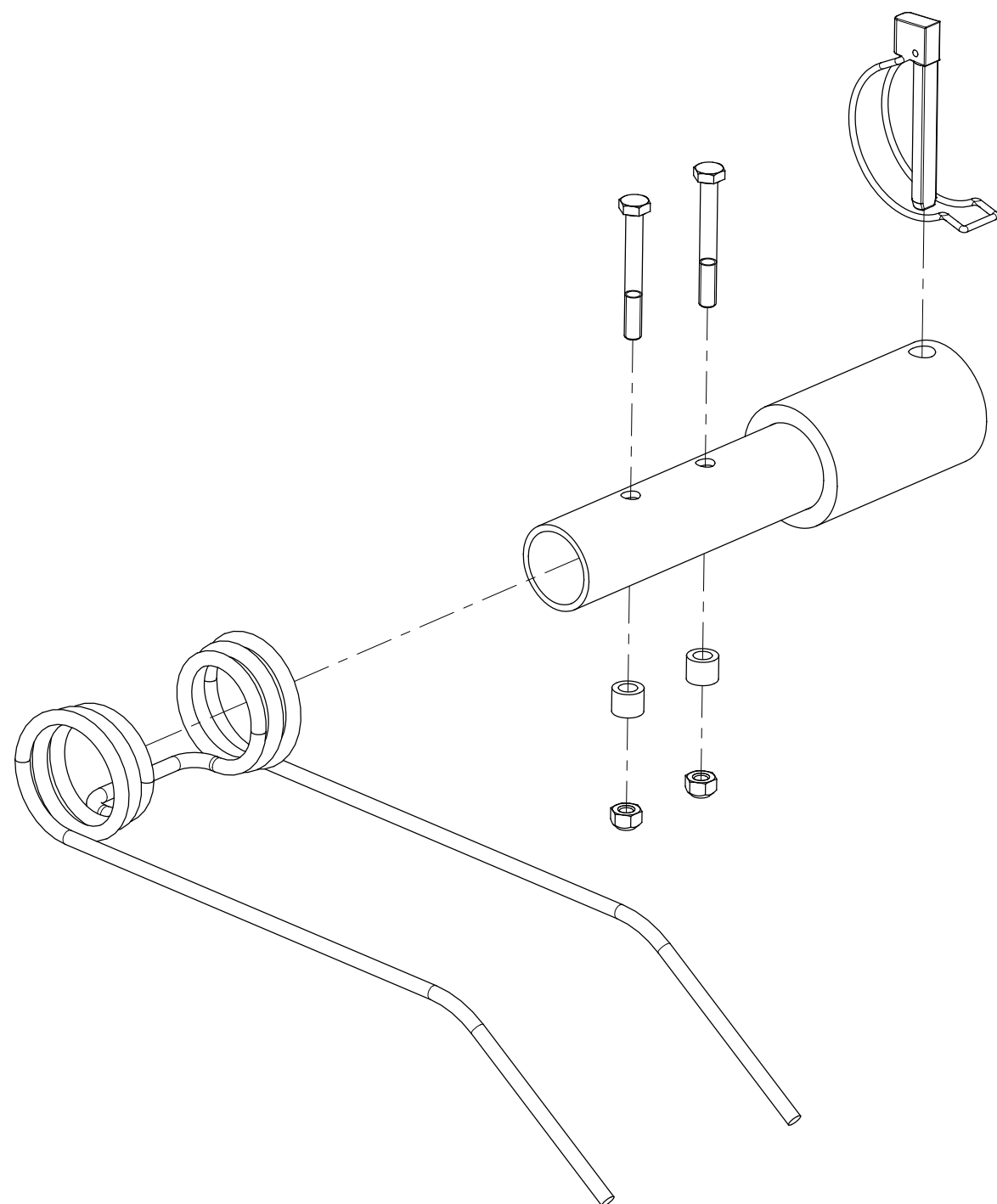
*Station de stationnement montée*  
*Parking station mounted*

| Index | Quantity | Reference  | Designation  |
|-------|----------|------------|--|
| 1     | 1        | 6103.11.28 | Bride MC-8x50x65<br>Cross section MC-8x50x65         |
| 2     | 1        | 6258.23.65 | Support soudé<br>Welded carrier                      |
| 3     | 2        | 985D8PA    | Ecrou HFR M8 ISO10511-8 Z<br>Nut HFR M8 ISO10511-8 Z |





*Élargi à gauche*  
*Widened to the left*

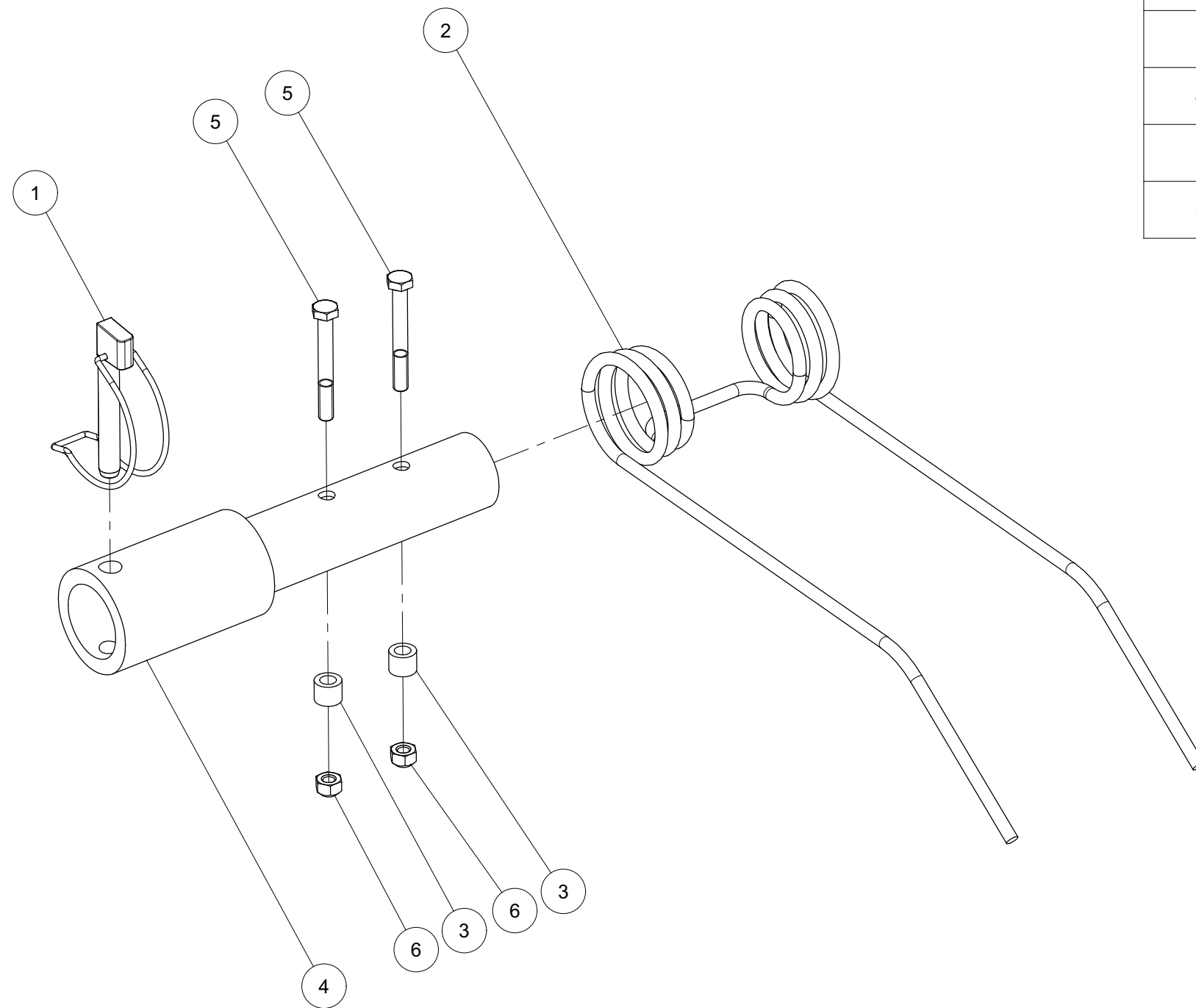


| Index | Quantity | Reference    | Designation  |
|-------|----------|--------------|--|
| 1     | 1        | 11023DR1275A | Goupille "Clips-Tube" - 11.5, Z<br>Pipe lynch pin - 11.5 Z |
| 2     | 1        | 6258.23.10   | Dents de herse D7<br>Harrow tines                          |
| 3     | 2        | 6258.23.35   | Bague de butée<br>stopper                                  |
| 4     | 1        | 6258.23.59   | Élargissement soudé<br>Widening welded                     |
| 5     | 2        | 931D865PA    | Vis H M8 x 65 ZNBL 8.8<br>Hex. Screw M8 x 65 Zinc 8.8      |
| 6     | 2        | 980DV8PA     | Ecrou M8 ZNBL 8.8<br>Nut M8 Zinc 8.8                       |



*Élargi à droite*  
*Widened to the right*

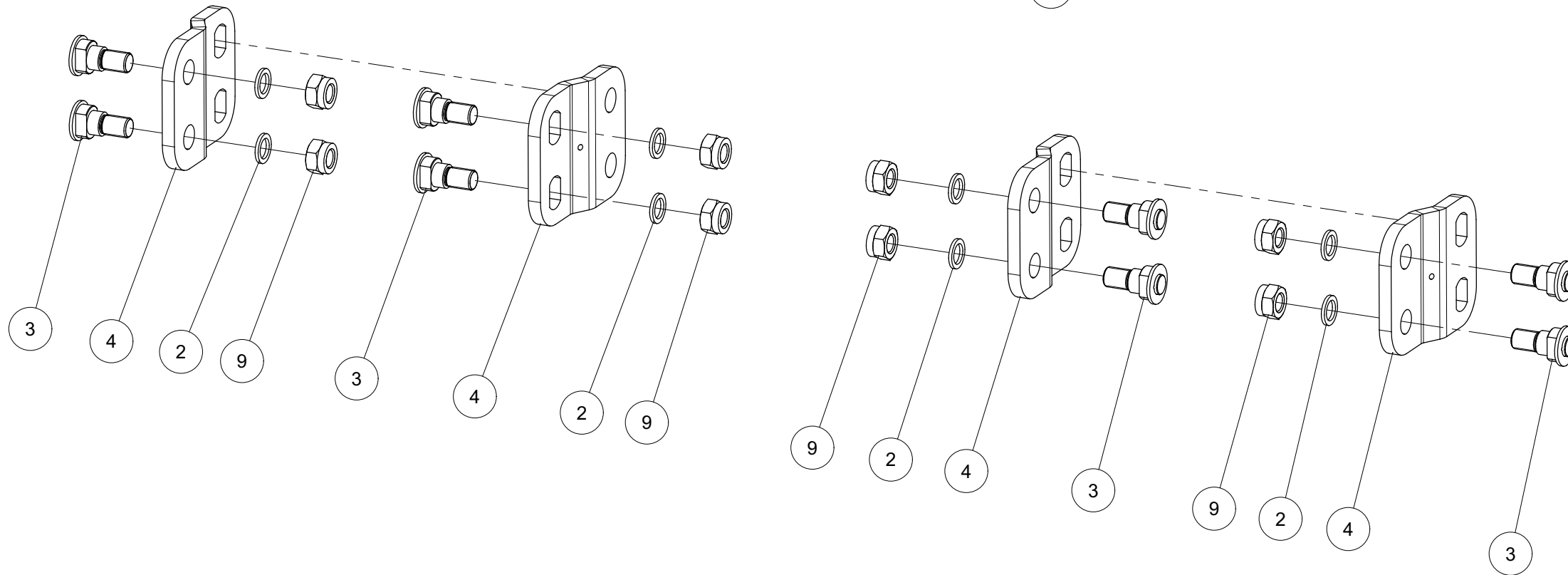
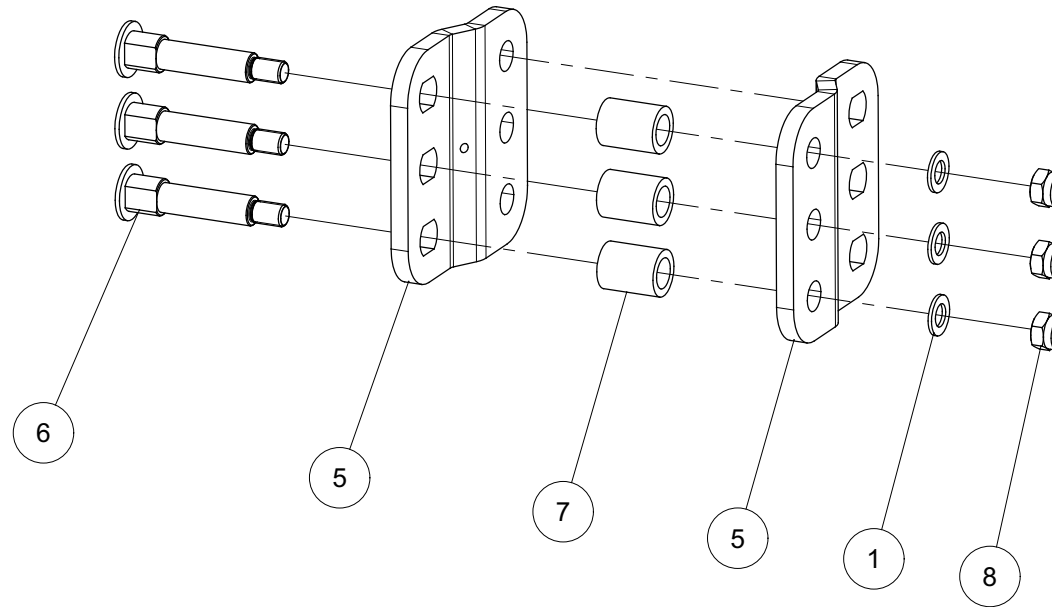
| Index | Quantity | Reference    | Designation  |
|-------|----------|--------------|--|
| 1     | 1        | 11023DR1275A | Goupille "Clips-Tube" - 11.5, Z<br>Pipe lynch pin - 11.5 Z |
| 2     | 1        | 6258.23.10   | Dents de herse D7<br>Harrow tines                          |
| 3     | 2        | 6258.23.35   | Bague de butée<br>stopper                                  |
| 4     | 1        | 6258.23.59   | Élargissement soudé<br>Widening welded                     |
| 5     | 2        | 931D865PA    | Vis H M8 x 65 ZNBL 8.8<br>Hex. Screw M8 x 65 Zinc 8.8      |
| 6     | 2        | 980DV8PA     | Ecrou M8 ZNBL 8.8<br>Nut M8 Zinc 8.8                       |





*Fixation monté cpl.*  
*Attachment mounted cpl.*

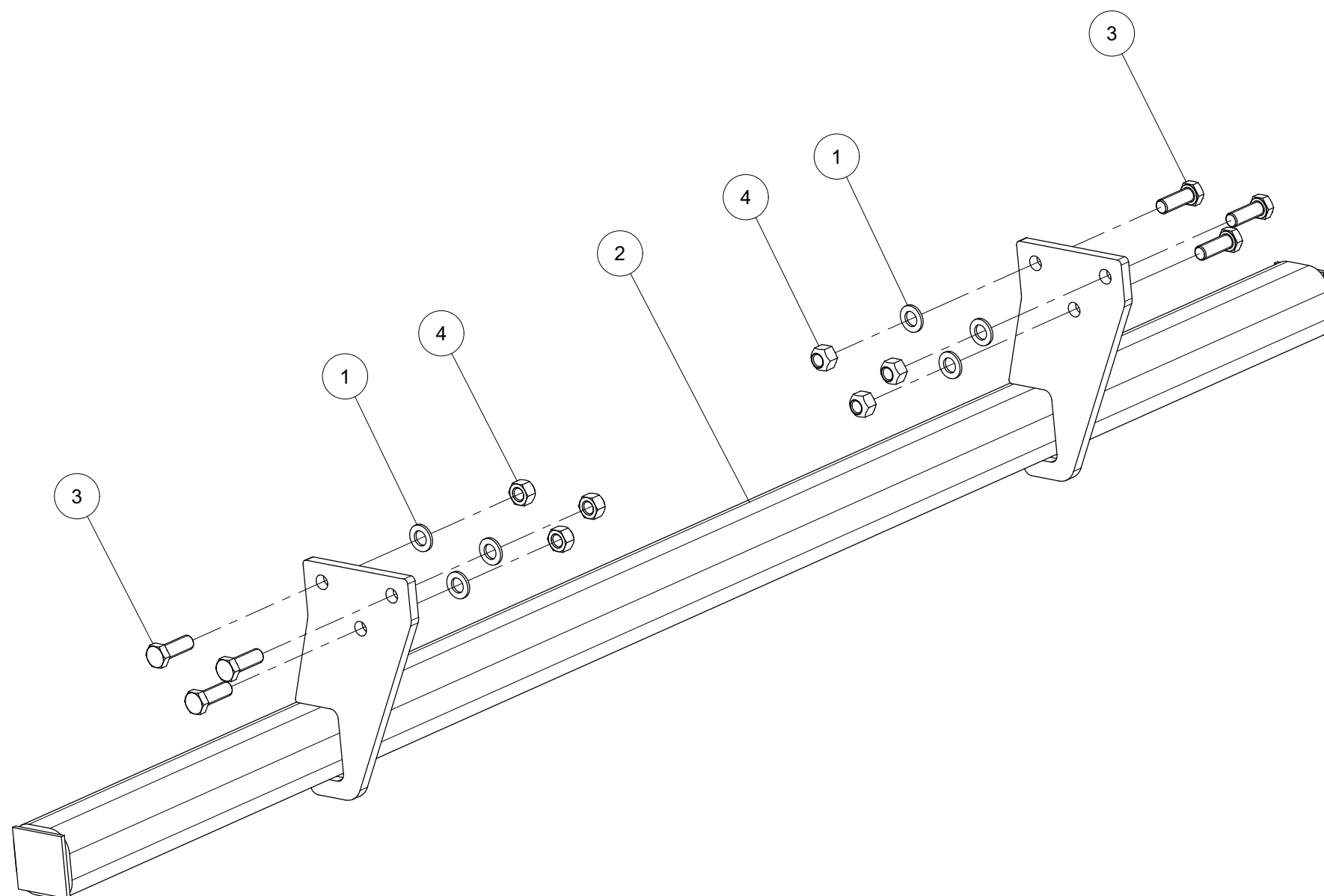
| Index | Quantity | Reference  | Designation  |
|-------|----------|------------|--|
| 1     | 3        | 125DA25A   | Rondelle A 25 ISO7089 Zinguée<br>Washer A 25 ISO7089 Zinc.     |
| 2     | 8        | 1441D31A   | Rondelle 31 DIN1441 Z<br>Washer 31 DIN1441 Z                   |
| 3     | 8        | 6258.90.01 | Axe<br>Bolt  |
| 4     | 4        | 6258.90.05 | Bride liaison inférieure<br>Flange lower link                  |
| 5     | 2        | 6258.90.07 | Bride de liaison supérieure<br>Upper link flange               |
| 6     | 3        | 6258.90.16 | Axe<br>Bolt  |
| 7     | 3        | 6258.90.17 | Douille Z.<br>Sleeve Z.  |
| 8     | 3        | 985D2415PA | Ecrou HFR M24x1,5 ISO10511-8 Z<br>Nut HFR M24x1,5 ISO10511-8 Z |
| 9     | 8        | 985D302PA  | Ecrou HFR M30x2,0 ISO10511-8 Z<br>Nut HFR M30x2,0 ISO10511-8 Z |

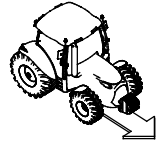




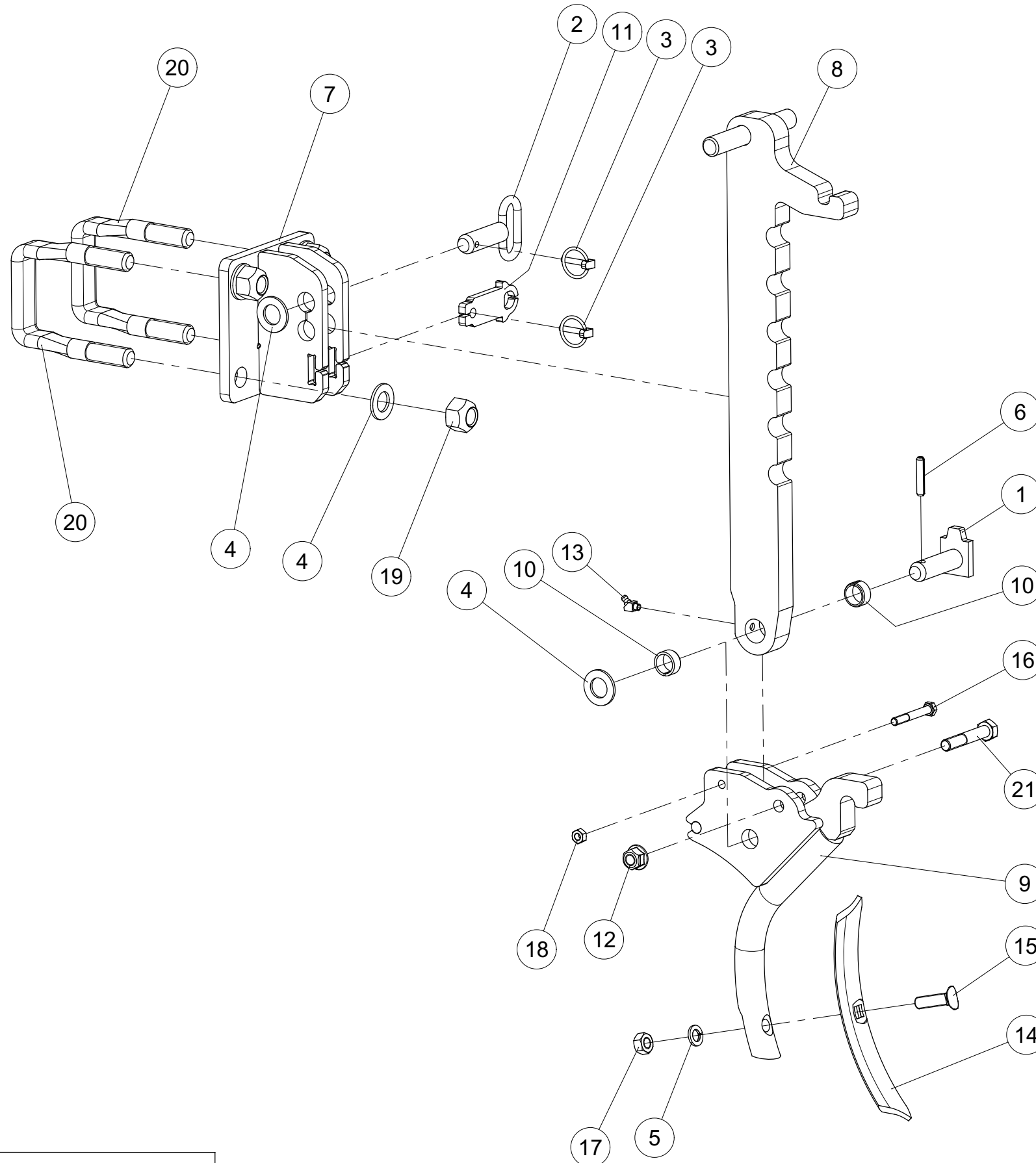
*Efface traces titulaire 7501 / 9001 monté*  
*Track eradicator holder 7501 / 9001 monted*

| Index | Quantity | Reference  | Designation   |
|-------|----------|------------|---|
| 1     | 6        | 125DA17A   | Rondelle A 17 ISO7089 Zinguée<br>Washer A 17 ISO7089 Zinc.                            |
| 2     | 1        | 6258.05.20 | Efface traces titulaire 7501/ 9001 soudé<br>Track eradicator holder 7501/ 9001 welded |
| 3     | 6        | 933D1645PA | Vis H M16x45 ISO4017-8.8 ZNBL<br>Hex. Screw M16x45 ISO4017-8.8 Zinc                   |
| 4     | 6        | 980DV16PA  | Ecrou M16 ZNBL 8.8<br>Nut M16 Zinc 8.8  |



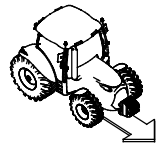


*Efface traces GG-5 cpl.*  
*Track eradicator GG-5 cpl.*



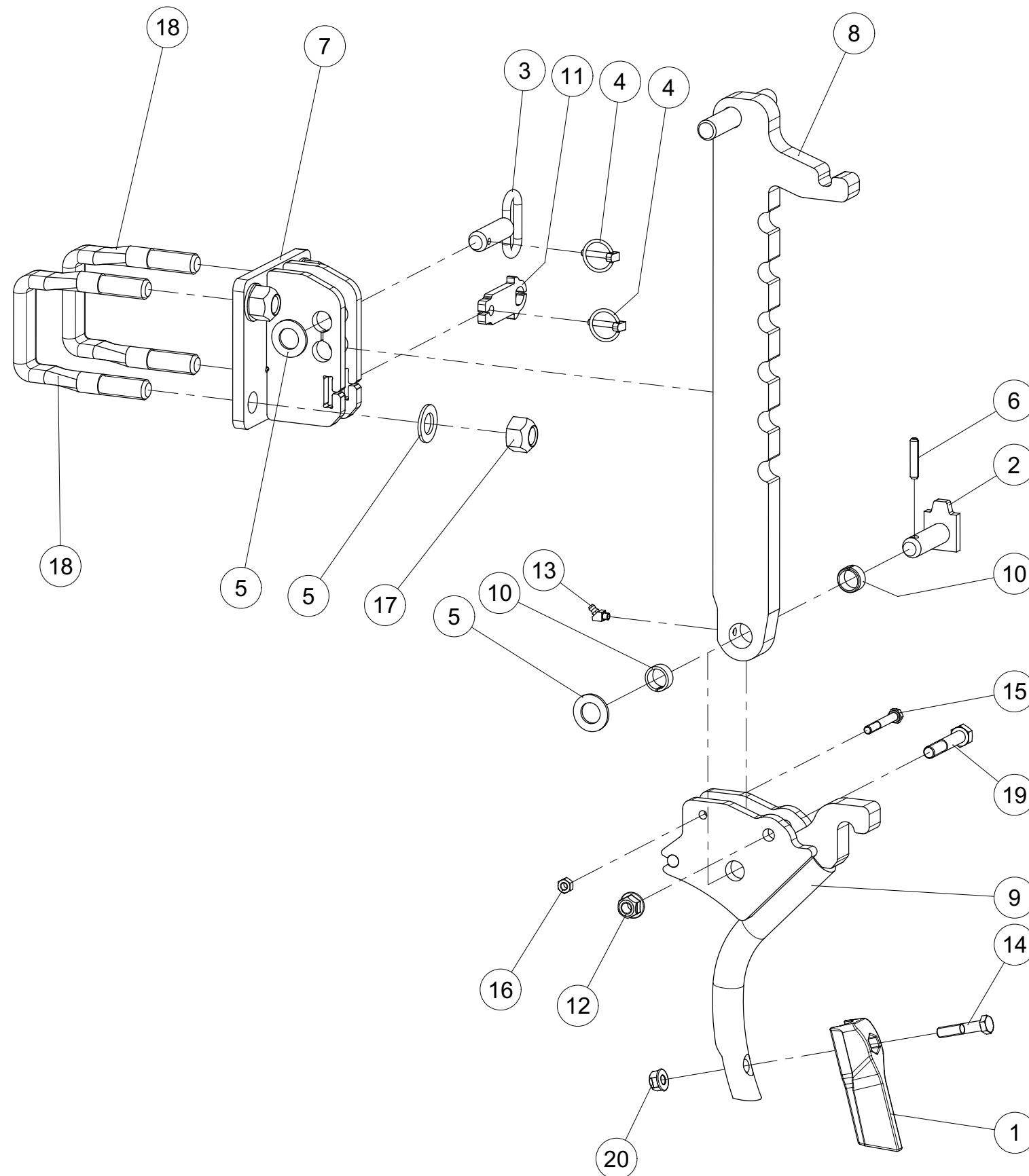
| Index | Quantite | Reference  | Designation   |
|-------|----------|------------|---|
| 1     | 1        | 1000.20.15 | Axe D 20x58 Z<br>Pin D 20x58 Z  |
| 2     | 1        | 1000.20.30 | Axe D20x55 Z<br>Pin D20x55 Z  |
| 3     | 2        | 11023D532A | Goupille "Clips" Dia 5 Z<br>Lynch pin Dia5                            |
| 4     | 6        | 125DA21A   | Rondelle A 21 ISO7089 ZNBL<br>Washer A 21 ISO7089 Zinc.               |
| 5     | 1        | 127DA12A   | Rondelle élastique A 12 DIN127 Z<br>Springwascher A 12 DIN127 Z       |
| 6     | 1        | 1481D840A  | Goupille elastique 8 X 40 ISO8752 Z<br>Spring Pin 8 X 40 ISO8752 Z    |
| 7     | 1        | 6258.31.20 | support de montant d'efface-trace<br>Leg support for track eraser     |
| 8     | 1        | 6258.31.26 | Montant d'efface-trace<br>Leg for track eraser                        |
| 9     | 1        | 6258.31.45 | Soc titulaire GG-5<br>Share holder GG-5                               |
| 10    | 2        | 6258.31.94 | Bague ø25/20x12<br>Bush ø25/20x12                                     |
| 11    | 1        | 6258.31.96 | Loquet<br>Latsch  |
| 12    | 1        | 6927DV12NA | Ecrou HEFR M12 emb. S.Lock Cl.10<br>HEFR M12 Flg nut Gr.10 ZNBL       |
| 13    | 1        | 71412DBS81 | Graisseur H2a-M 8x1 -45<br>Grease Nipple H2a-M 8x1 -45                |
| 14    | 1        | 8007.30.01 | Soc GG-5<br>Share GG-5  |
| 15    | 1        | 8007.30.02 | Vis tête noyée 12x48 - 8.8<br>C sunk screw 12x48 - 8.8                |
| 16    | 1        | 931D860NA  | Vis H M8 x 60 ZNBL 10.9<br>Hex. Screw M8 x 60 Zinc 10.9               |
| 17    | 1        | 934D12PA   | Ecrou std H M12 - pas 175 Zingue<br>Nut std H M12 - thread 175 Zingue |
| 18    | 1        | 934D8PA    | Ecrou std H M8 - pas 125 Zingue<br>Nut std H M8 - thread 125 Zingue   |
| 19    | 4        | 980DV20NA  | Ecrou M20 ZNBL 10.9<br>Nut M20 Zinc 10.9                              |
| 20    | 2        | M 631 182  | Etrier M20 □ 80 aplati 10.9<br>Flange M20 □ 80 flattened 10.9         |
| 21    | 1        | VI 29 16   | Vis H M12x 70 - 8.8 ZNBL<br>Screw H M12x 70 - 8.8 ZNBL                |



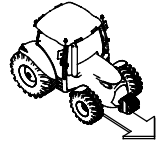


*Efface traces GS-035 cpl.*

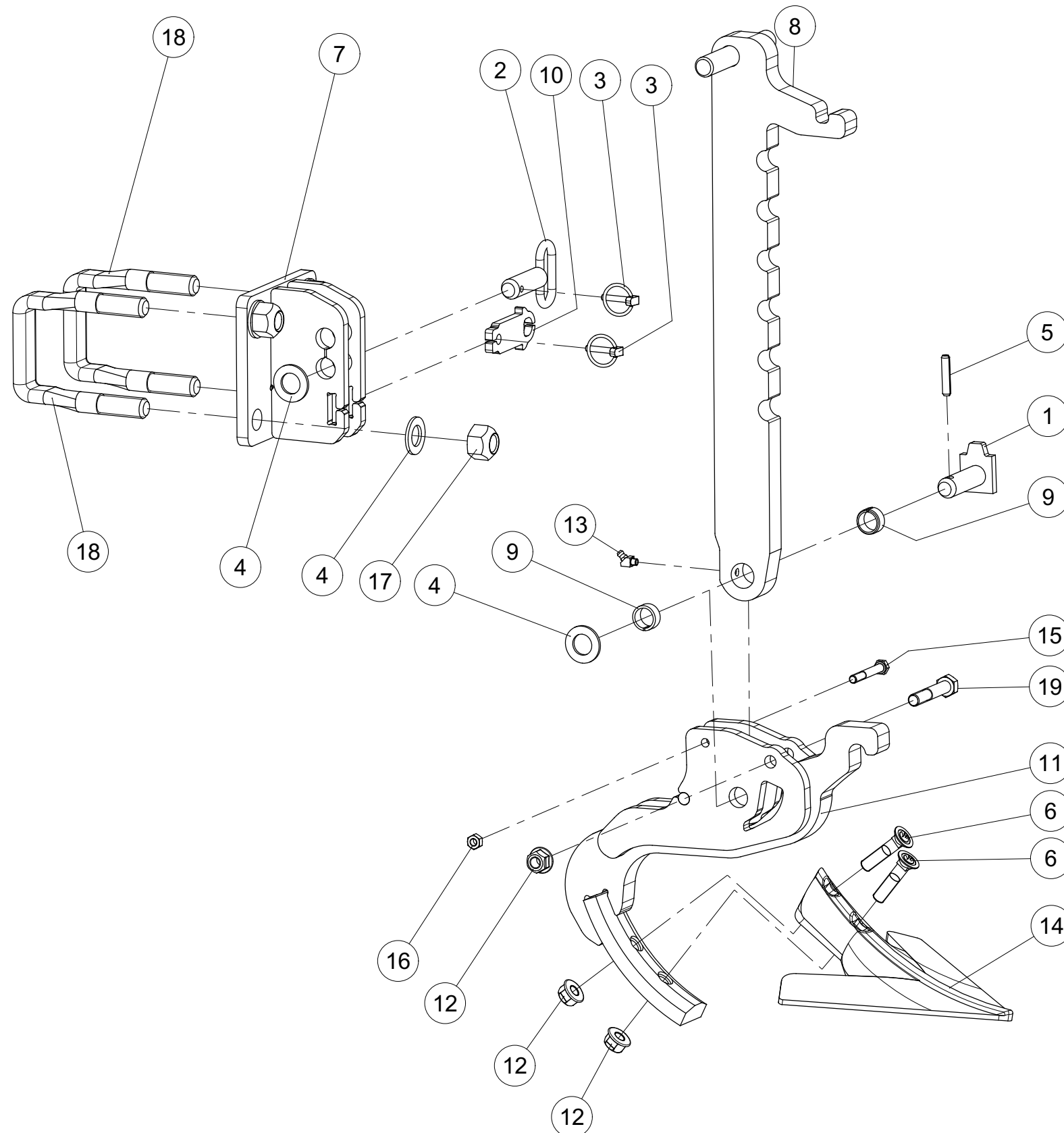
*Track eradicator GS-035 cpl.*



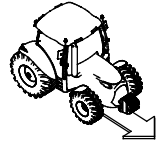
| Index | Quantite | Reference  | Designation   |
|-------|----------|------------|---|
| 1     | 1        | 7 C 00320  | Soc moulé court<br>Share lace short                                 |
| 2     | 1        | 1000.20.15 | Axe D 20x58 Z<br>Pin D 20x58 Z                                      |
| 3     | 1        | 1000.20.30 | Axe D20x55 Z<br>Pin D20x55 Z  |
| 4     | 2        | 11023D532A | Goupille "Clips" Dia 5 Z<br>Lynch pin Dia5                          |
| 5     | 6        | 125DA21A   | Rondelle A 21 ISO7089 ZNBL<br>Washer A 21 ISO7089 Zinc.             |
| 6     | 1        | 1481D840A  | Goupille elastique 8 X 40 ISO8752 Z<br>Spring Pin 8 X 40 ISO8752 Z  |
| 7     | 1        | 6258.31.20 | support de montant d'efface-trace<br>Leg support for track eraser   |
| 8     | 1        | 6258.31.26 | Montant d'efface-trace<br>Leg for track eraser                      |
| 9     | 1        | 6258.31.45 | Soc titulaire GG-5<br>Share holder GG-5                             |
| 10    | 2        | 6258.31.94 | Bague ø25/20x12<br>Bush ø25/20x12                                   |
| 11    | 1        | 6258.31.96 | Loquet<br>Latsch  |
| 12    | 1        | 6927DV12NA | Ecrou HEFR M12 emb. S.Lock Cl.10<br>HEFR M12 Flg nut Gr.10 ZNBL     |
| 13    | 1        | 71412DBS81 | Graisseur H2a-M 8x1 -45<br>Grease Nipple H2a-M 8x1 -45              |
| 14    | 1        | 931D1050N  | Vis H M10 x 50 Noire 10.9<br>Hex. Screw M10 x 50 Black 10.9         |
| 15    | 1        | 931D860NA  | Vis H M8 x 60 ZNBL 10.9<br>Hex. Screw M8 x 60 Zinc 10.9             |
| 16    | 1        | 934D8PA    | Ecrou std H M8 - pas 125 Zingue<br>Nut std H M8 - thread 125 Zingue |
| 17    | 4        | 980DV20NA  | Ecrou M20 ZNBL 10.9<br>Nut M20 Zinc 10.9                            |
| 18    | 2        | M 631 182  | Etrier M20 □ 80 aplati 10.9<br>Flange M20 □ 80 flattened 10.9       |
| 19    | 1        | VI 29 16   | Vis H M12x 70 - 8.8 ZNBL<br>Screw H M12x 70 - 8.8 ZNBL              |
| 20    | 1        | VJ 141     | Ecrou HEFR M10 emb. S.Lock Cl.10<br>HEFR M10 Flg nut Gr.10 ZNBL     |



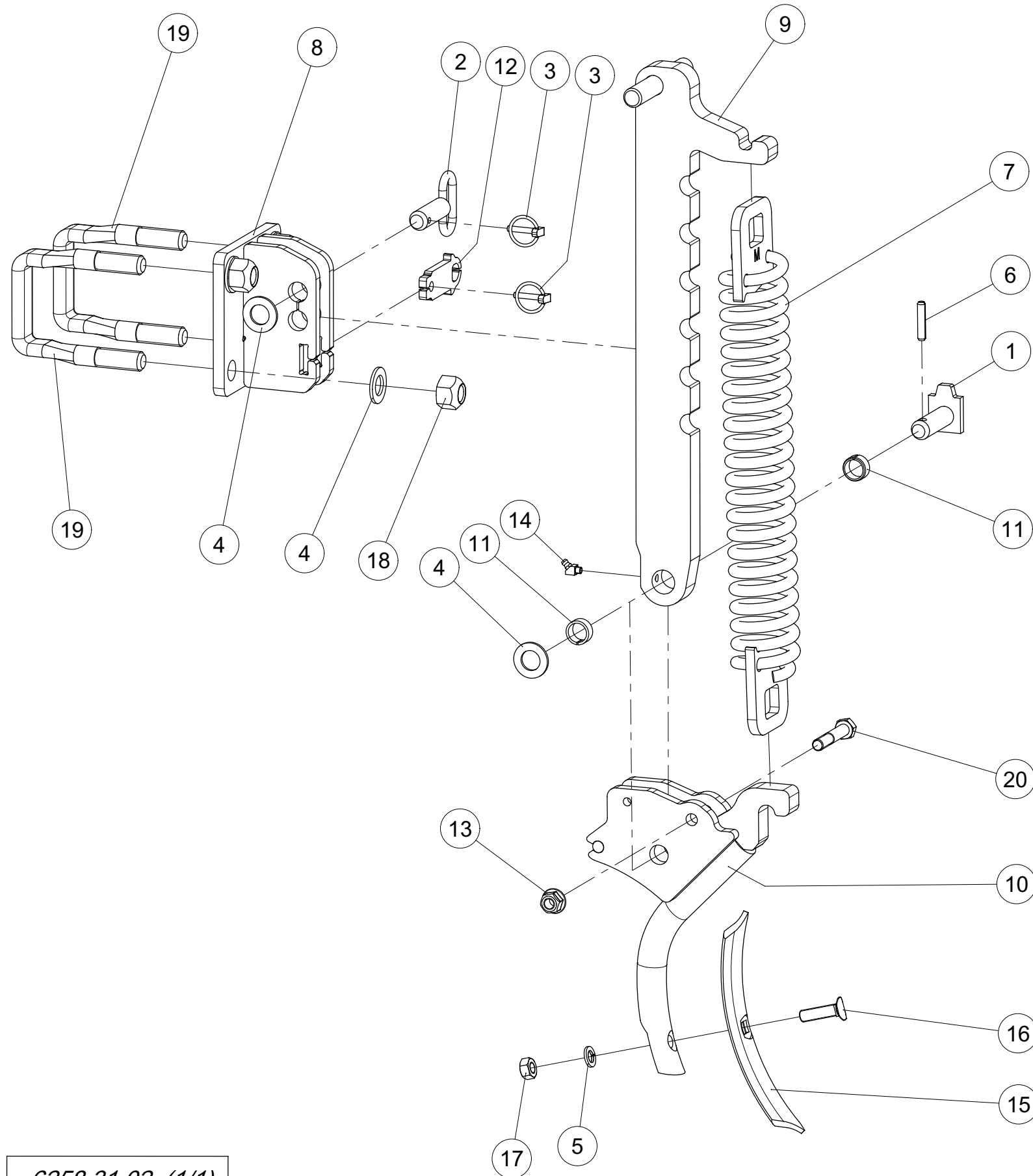
*Efface traces GG-011 cpl.*  
*Track eradicator GG-011 cpl.*



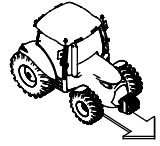
| Index | Quantite | Reference  | Designation   |
|-------|----------|------------|---|
| 1     | 1        | 1000.20.15 | Axe D 20x58 Z<br>Pin D 20x58 Z                                      |
| 2     | 1        | 1000.20.30 | Axe D20x55 Z<br>Pin D20x55 Z  |
| 3     | 2        | 11023D532A | Goupille "Clips" Dia 5 Z<br>Lynch pin Dia5                          |
| 4     | 6        | 125DA21A   | Rondelle A 21 ISO7089 ZNBL<br>Washer A 21 ISO7089 Zinc.             |
| 5     | 1        | 1481D840A  | Goupille elastique 8 X 40 ISO8752 Z<br>Spring Pin 8 X 40 ISO8752 Z  |
| 6     | 2        | 2700.26.10 | Vis a tête fraisée M 12 X 55-10.9<br>C sunk screw M 12 X 55-10.9    |
| 7     | 1        | 6258.31.20 | support de montant d'efface-trace<br>Leg support for track eraser   |
| 8     | 1        | 6258.31.26 | Montant d'efface-trace<br>Leg for track eraser                      |
| 9     | 2        | 6258.31.94 | Bague ø25/20x12<br>Bush ø25/20x12                                   |
| 10    | 1        | 6258.31.96 | Loquet<br>Latsch  |
| 11    | 1        | 6258.32.35 | Soc titulaire GG-O11<br>Share holder GG-O11                         |
| 12    | 3        | 6927DV12NA | Ecrou HEFR M12 emb. S.Lock Cl.10<br>HEFR M12 Flg nut Gr.10 ZNBL     |
| 13    | 1        | 71412DBS81 | Graisseur H2a-M 8x1 -45<br>Grease Nipple H2a-M 8x1 -45              |
| 14    | 1        | 8426.33.01 | Pattes d'oise GG-O11<br>Crow's feet GG-O11                          |
| 15    | 1        | 931D860NA  | Vis H M8 x 60 ZNBL 10.9<br>Hex. Screw M8 x 60 Zinc 10.9             |
| 16    | 1        | 934D8PA    | Ecrou std H M8 - pas 125 Zingue<br>Nut std H M8 - thread 125 Zingue |
| 17    | 4        | 980DV20NA  | Ecrou M20 ZNBL 10.9<br>Nut M20 Zinc 10.9                            |
| 18    | 2        | M 631 182  | Etrier M20 □ 80 aplati 10.9<br>Flange M20 □ 80 flattened 10.9       |
| 19    | 1        | VI 29 16   | Vis H M12x 70 - 8.8 ZNBL<br>Screw H M12x 70 - 8.8 ZNBL              |



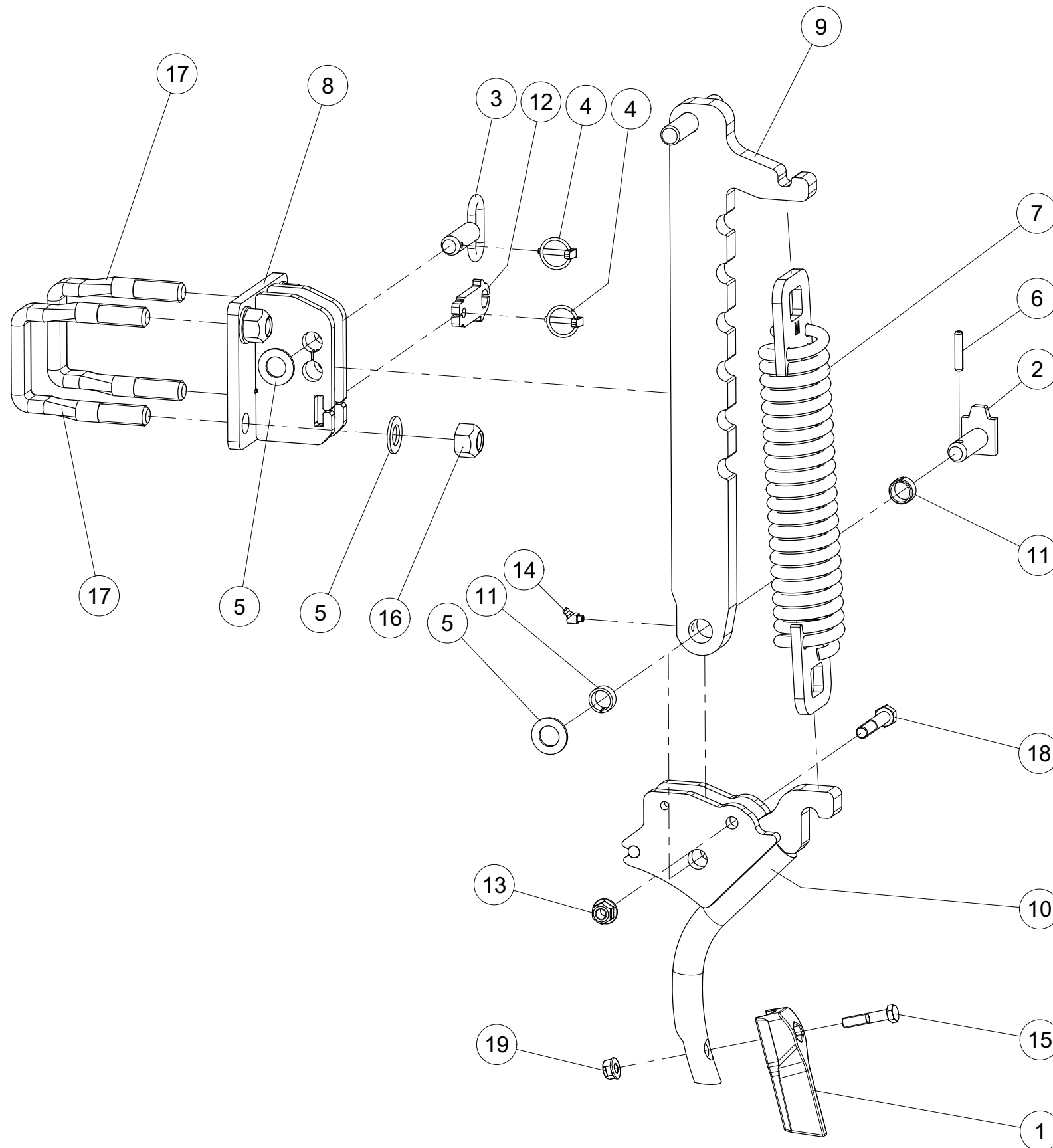
*Efface traces à ressort GG-5 cpl.*  
*Track eradicator spring mounted GG-5 cpl.*



| Index | Quantite | Reference  | Designation   |
|-------|----------|------------|---|
| 1     | 1        | 1000.20.15 | Axe D 20x58 Z<br>Pin D 20x58 Z  |
| 2     | 1        | 1000.20.30 | Axe D20x55 Z<br>Pin D20x55 Z  |
| 3     | 2        | 11023D532A | Goupille "Clips" Dia 5 Z<br>Lynch pin Dia5                            |
| 4     | 6        | 125DA21A   | Rondelle A 21 ISO7089 ZNBL<br>Washer A 21 ISO7089 Zinc.               |
| 5     | 1        | 127DA12A   | Rondelle élastique A 12 DIN127 Z<br>Springwascher A 12 DIN127 Z       |
| 6     | 1        | 1481D840A  | Goupille elastique 8 X 40 ISO8752 Z<br>Spring Pin 8 X 40 ISO8752 Z    |
| 7     | 1        | 6258.31.16 | Ressort de tension<br>Tension spring                                  |
| 8     | 1        | 6258.31.20 | support de montant d'efface-trace<br>Leg support for track eraser     |
| 9     | 1        | 6258.31.26 | Montant d'efface-trace<br>Leg for track eraser                        |
| 10    | 1        | 6258.31.45 | Soc titulaire GG-5<br>Share holder GG-5                               |
| 11    | 2        | 6258.31.94 | Bague ø25/20x12<br>Bush ø25/20x12                                     |
| 12    | 1        | 6258.31.96 | Loquet<br>Latsch  |
| 13    | 1        | 6927DV12NA | Ecrou HEFR M12 emb. S.Lock Cl.10<br>HEFR M12 Flg nut Gr.10 ZNBL       |
| 14    | 1        | 71412DBS81 | Graisseur H2a-M 8x1 -45<br>Grease Nipple H2a-M 8x1 -45                |
| 15    | 1        | 8007.30.01 | Soc GG-5<br>Share GG-5  |
| 16    | 1        | 8007.30.02 | Vis tête noyée 12x48 - 8.8<br>C sunk screw 12x48 - 8.8                |
| 17    | 1        | 934D12PA   | Ecrou std H M12 - pas 175 Zingue<br>Nut std H M12 - thread 175 Zingue |
| 18    | 4        | 980DV20NA  | Ecrou M20 ZNBL 10.9<br>Nut M20 Zinc 10.9                              |
| 19    | 2        | M 631 182  | Etrier M20 □ 80 aplati 10.9<br>Flange M20 □ 80 flattened 10.9         |
| 20    | 1        | VI 29 16   | Vis H M12x 70 - 8.8 ZNBL<br>Screw H M12x 70 - 8.8 ZNBL                |

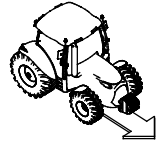


*Efface traces á ressort GS-035 cpl.*  
*Track eradicator spring mounted GS-035 cpl.*

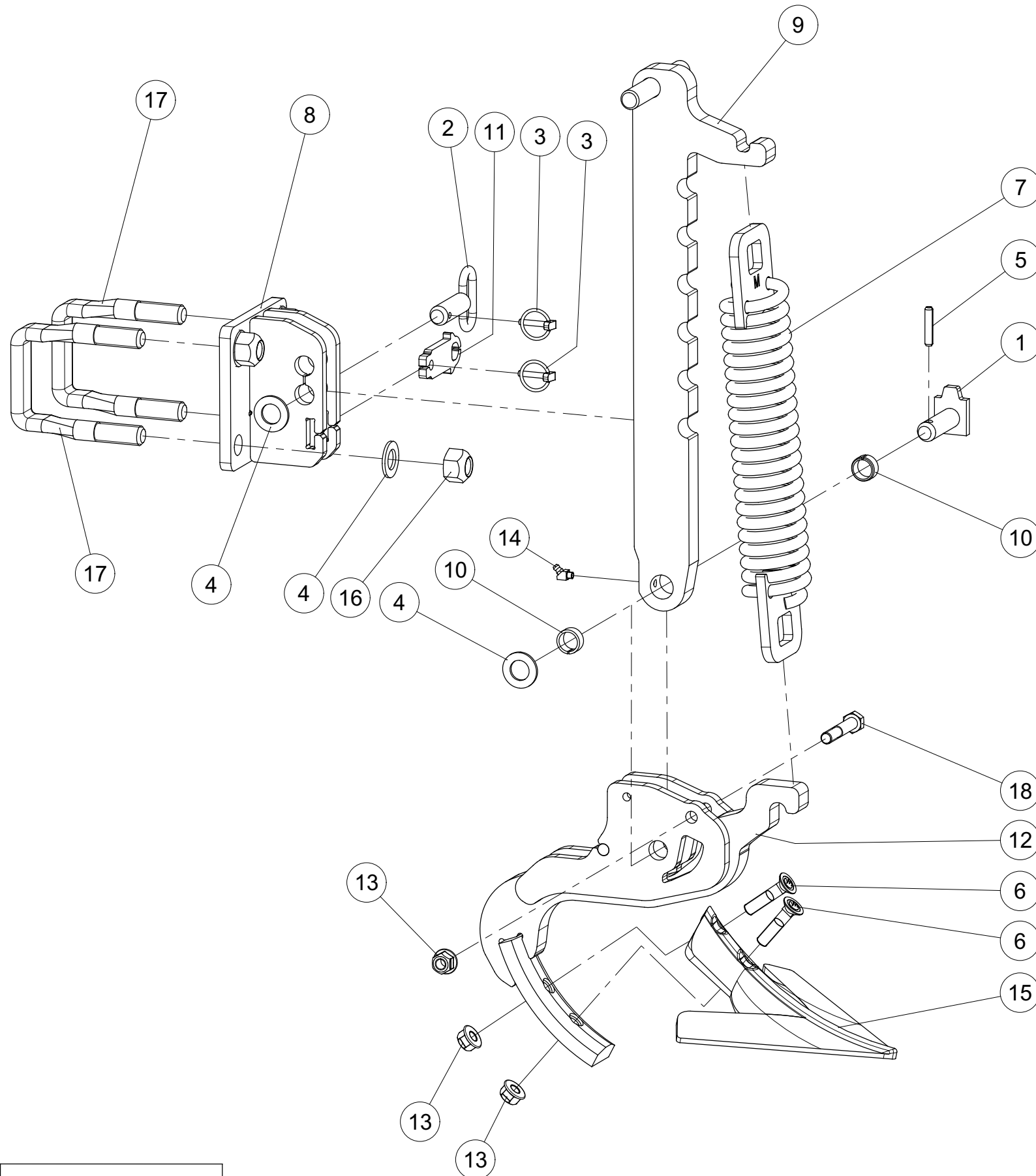


| Index | Quantite | Reference  | Designation  |
|-------|----------|------------|--|
| 1     | 1        | 7 C 00320  | Soc moulé court<br>Share lace short                                |
| 2     | 1        | 1000.20.15 | Axe D 20x58 Z<br>Pin D 20x58 Z                                     |
| 3     | 1        | 1000.20.30 | Axe D20x55 Z<br>Pin D20x55 Z                                       |
| 4     | 2        | 11023D532A | Goupille "Clips" Dia 5 Z<br>Lynch pin Dia5                         |
| 5     | 6        | 125DA21A   | Rondelle A 21 ISO7089 ZNBL<br>Washer A 21 ISO7089 Zinc.            |
| 6     | 1        | 1481D840A  | Goupille elastique 8 X 40 ISO8752 Z<br>Spring Pin 8 X 40 ISO8752 Z |
| 7     | 1        | 6258.31.16 | Ressort de tension<br>Tension spring                               |
| 8     | 1        | 6258.31.20 | support de montant d'efface-trace<br>Leg support for track eraser  |
| 9     | 1        | 6258.31.26 | Montant d'efface-trace<br>Leg for track eraser                     |
| 10    | 1        | 6258.31.45 | Soc titulaire GG-5<br>Share holder GG-5                            |
| 11    | 2        | 6258.31.94 | Bague ø25/20x12<br>Bush ø25/20x12                                  |
| 12    | 1        | 6258.31.96 | Loquet<br>Latsch   |
| 13    | 1        | 6927DV12NA | Ecrou HEFR M12 emb. S.Lock Cl.10<br>HEFR M12 Flg nut Gr.10 ZNBL    |
| 14    | 1        | 71412DBS81 | Graisseur H2a-M 8x1 -45<br>Grease Nipple H2a-M 8x1 -45             |
| 15    | 1        | 931D1050N  | Vis H M10 x 50 Noire 10.9<br>Hex. Screw M10 x 50 Black 10.9        |
| 16    | 4        | 980DV20NA  | Ecrou M20 ZNBL 10.9<br>Nut M20 Zinc 10.9                           |
| 17    | 2        | M 631 182  | Etrier M20 □ 80 aplati 10.9<br>Flange M20 □ 80 flattened 10.9      |
| 18    | 1        | VI 29 16   | Vis H M12x 70 - 8.8 ZNBL<br>Screw H M12x 70 - 8.8 ZNBL             |
| 19    | 1        | VJ 141     | Ecrou HEFR M10 emb. S.Lock Cl.10<br>HEFR M10 Flg nut Gr.10 ZNBL    |





*Efface traces á ressort GG-011 cpl.*  
*Track eradicator spring mounted GG-011 cpl.*



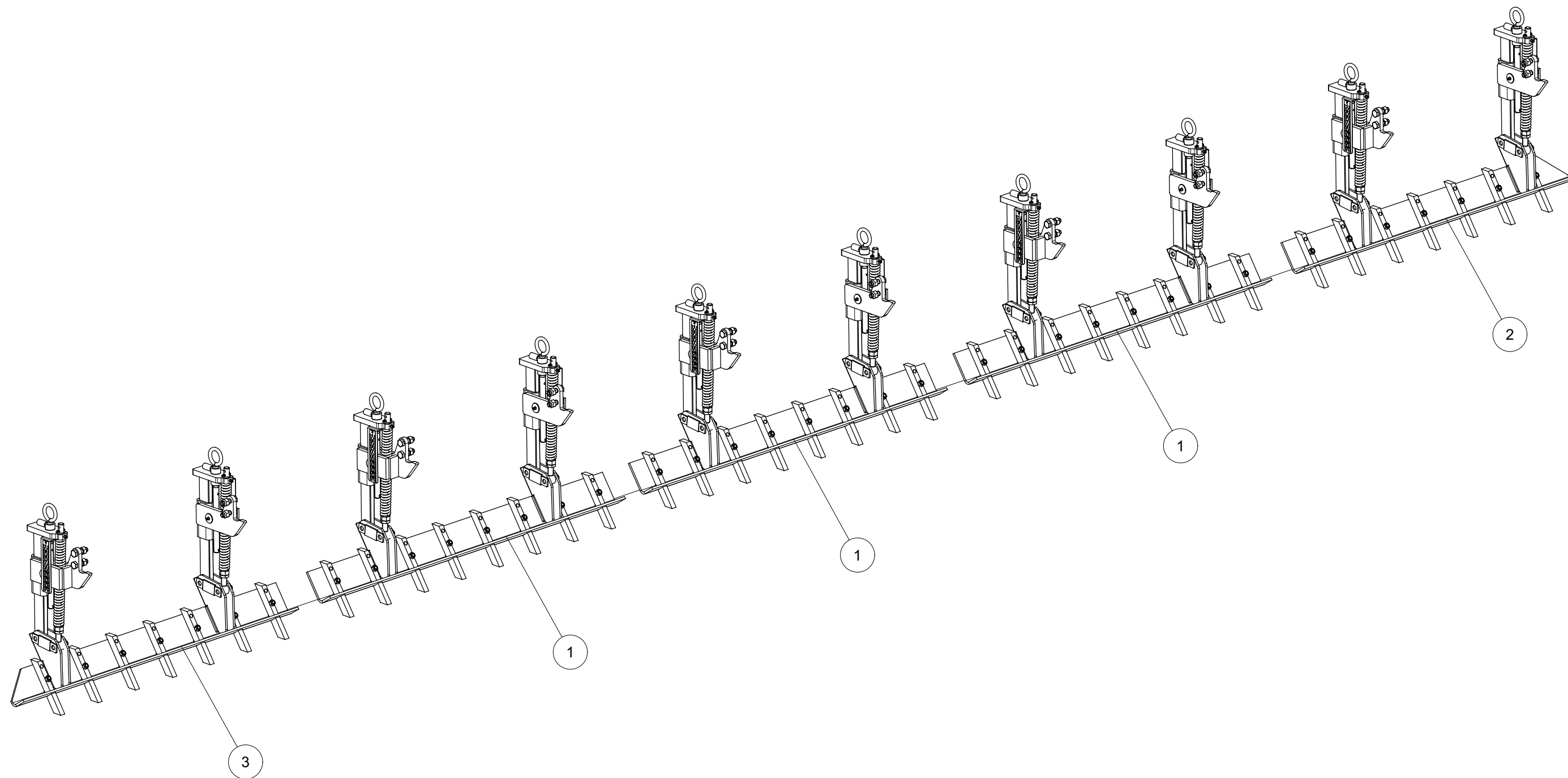
| Index | Quantite | Reference  | Designation  |
|-------|----------|------------|--|
| 1     | 1        | 1000.20.15 | Axe D 20x58 Z<br>Pin D 20x58 Z                                     |
| 2     | 1        | 1000.20.30 | Axe D20x55 Z<br>Pin D20x55 Z                                       |
| 3     | 2        | 11023D532A | Goupille "Clips" Dia 5 Z<br>Lynch pin Dia5                         |
| 4     | 6        | 125DA21A   | Rondelle A 21 ISO7089 ZNBL<br>Washer A 21 ISO7089 Zinc.            |
| 5     | 1        | 1481D840A  | Goupille elastique 8 X 40 ISO8752 Z<br>Spring Pin 8 X 40 ISO8752 Z |
| 6     | 2        | 2700.26.10 | Vis a tête fraisée M 12 X 55-10.9<br>C sunk screw M 12 X 55-10.9   |
| 7     | 1        | 6258.31.16 | Ressort de tension<br>Tension spring                               |
| 8     | 1        | 6258.31.20 | support de montant d'efface-trace<br>Leg support for track eraser  |
| 9     | 1        | 6258.31.26 | Montant d'efface-trace<br>Leg for track eraser                     |
| 10    | 2        | 6258.31.94 | Bague ø25/20x12<br>Bush ø25/20x12                                  |
| 11    | 1        | 6258.31.96 | Loquet<br>Latsch   |
| 12    | 1        | 6258.32.35 | Soc titulaire GG-O11<br>Share holder GG-O11                        |
| 13    | 3        | 6927DV12NA | Ecrou HEFR M12 emb. S.Lock Cl.10<br>HEFR M12 Flg nut Gr.10 ZNBL    |
| 14    | 1        | 71412DBS81 | Graisseur H2a-M 8x1 -45<br>Grease Nipple H2a-M 8x1 -45             |
| 15    | 1        | 8426.33.01 | Pattes d'oise GG-O11<br>Crow's feet GG-O11                         |
| 16    | 4        | 980DV20NA  | Ecrou M20 ZNBL 10.9<br>Nut M20 Zinc 10.9                           |
| 17    | 2        | M 631 182  | Etrier M20 □ 80 aplati 10.9<br>Flange M20 □ 80 flattened 10.9      |
| 18    | 1        | VI 29 16   | Vis H M12x 70 - 8.8 ZNBL<br>Screw H M12x 70 - 8.8 ZNBL             |



*Train denté 7501 L (S) cpl.*

*Tine trailer 7501 L (S) cpl.*

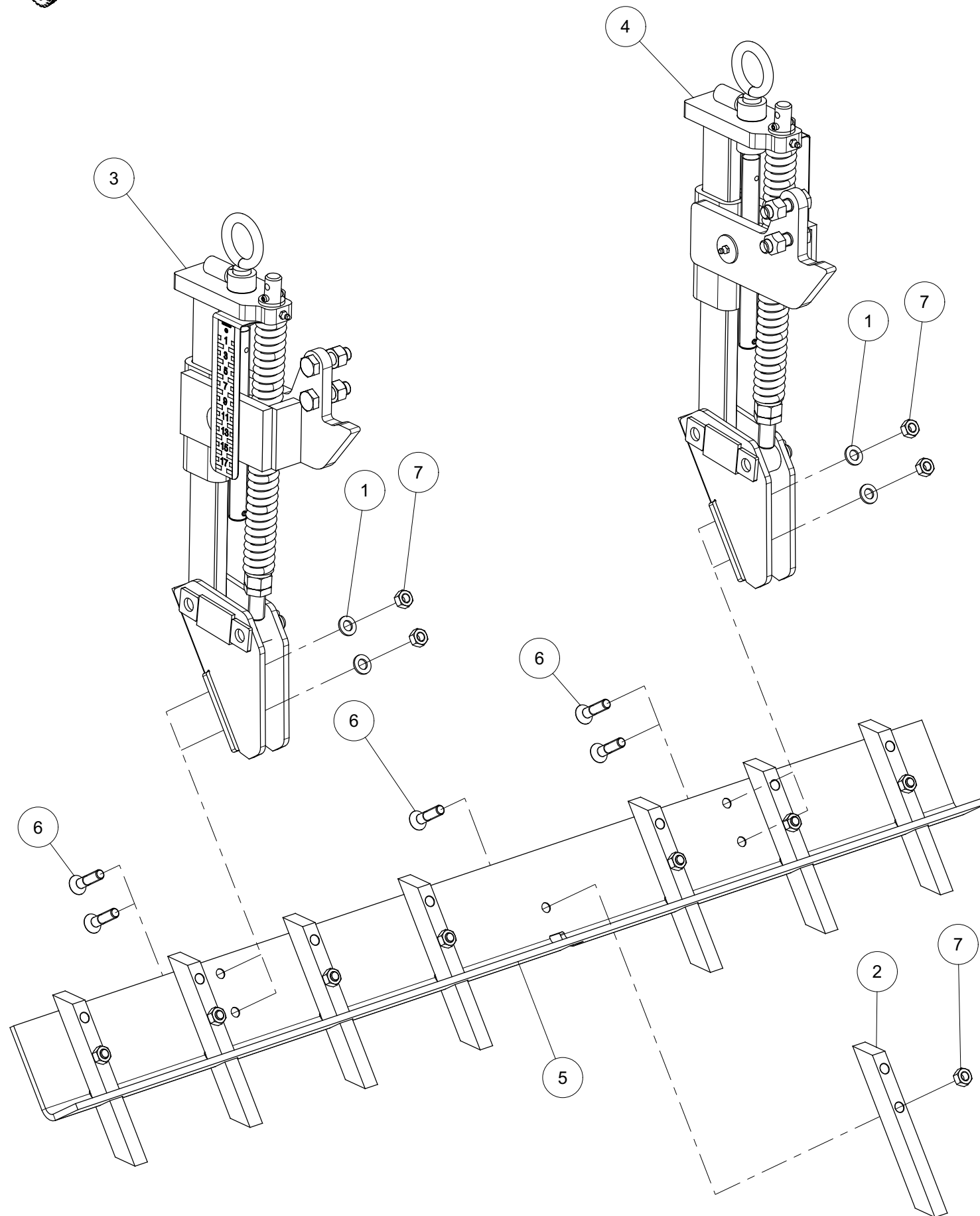
| Index | Quantity | Reference  | Designation  |
|-------|----------|------------|--|
| 1     | 3        | 6258.03.10 | Train denté section médiane cpl.<br>Tine trailer midsection cpl. |
| 2     | 1        | 6258.03.20 | Train denté droit cpl.<br>Tine trailer right cpl.                |
| 3     | 1        | 6258.03.30 | Train denté gauche cpl.<br>Tiné trailer left cpl.                |





*Train denté section médiane cpl.*

*Tine trailer midsection cpl.*



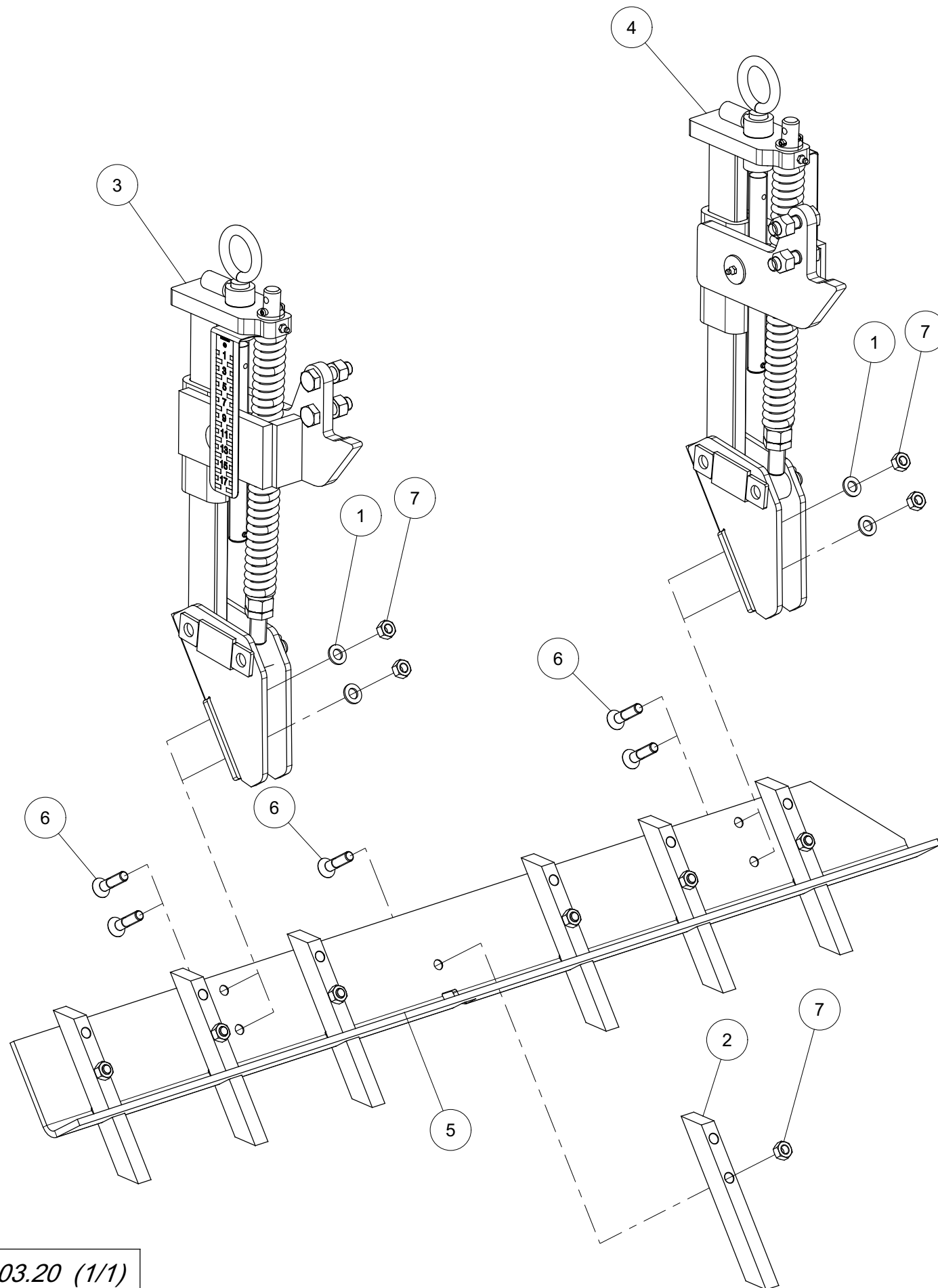
| Index | Quantity | Reference   | Designation   |
|-------|----------|-------------|---|
| 1     | 4        | 125DA13A    | Rondelle A 13 ISO7089 ZNBL<br>Washer A 13 ISO7089 Zinc.                       |
| 2     | 8        | 6253.48.01  | Dent<br>Tine  |
| 3     | 1        | 6258.03.34  | Ensemble de ressort gauche série 1 cpl.<br>Spring assembly left series 1 cpl. |
| 4     | 1        | 6258.03.35  | Ensemble de ressort gauche série 2 cpl.<br>Spring assemble left series 2 cpl. |
| 5     | 1        | 6258.03.90  | Angle tôle au milieu<br>Angle sheet metal midst                               |
| 6     | 12       | 7991D1250PA | Vis FHc M12x50 ISO10642-8.8 ZNBL<br>Screw FHc M12x50 ISO10642-8.8 ZNBL        |
| 7     | 12       | 934D12PA    | Ecrou std H M12 - pas 175 Zingue<br>Nut std H M12 - thread 175 Zingue         |





*Train denté droit cpl.*

*Tine trailer right cpl.*

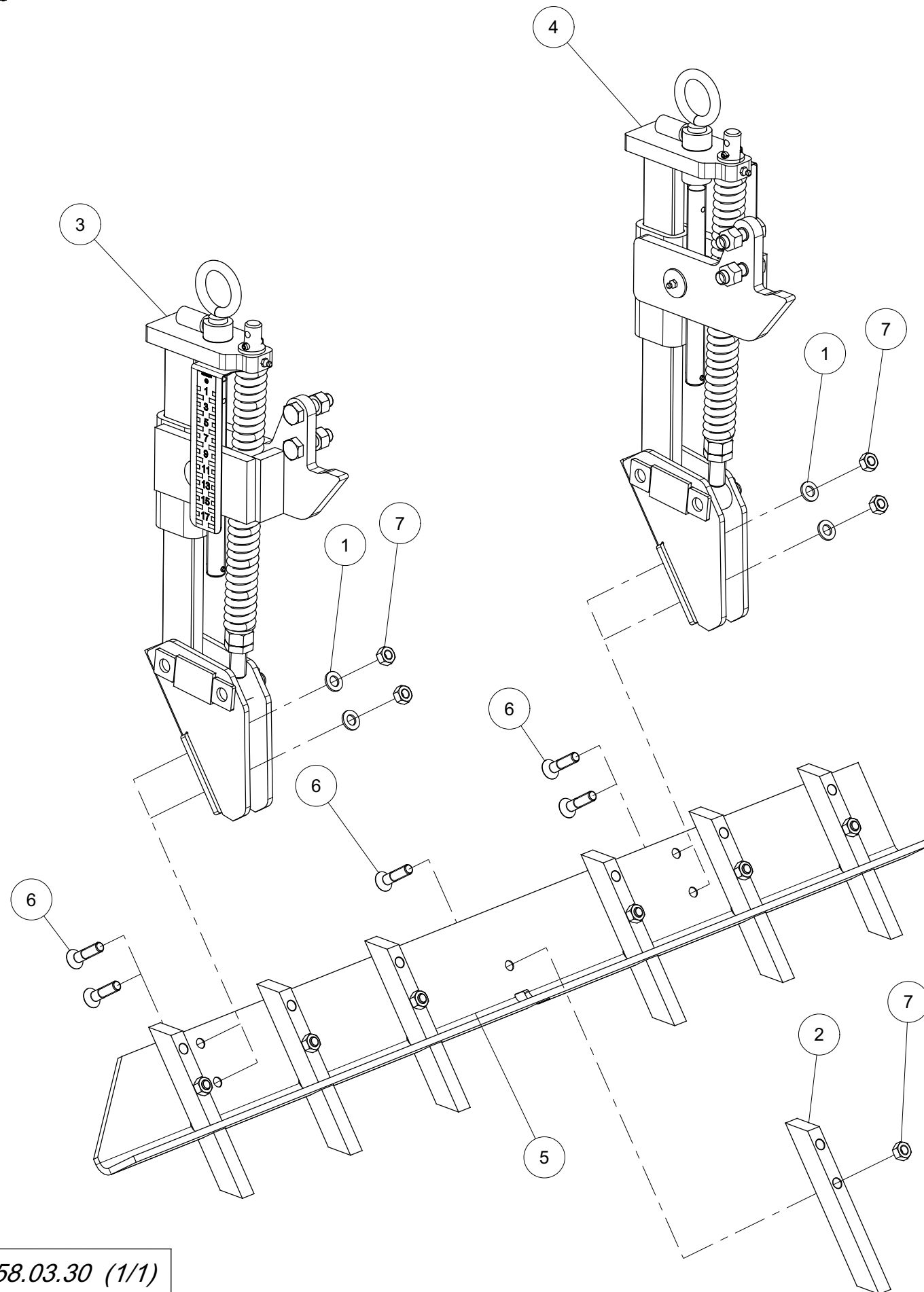


| Index | Quantity | Reference   | Designation   |
|-------|----------|-------------|---|
| 1     | 4        | 125DA13A    | Rondelle A 13 ISO7089 ZNBL<br>Washer A 13 ISO7089 Zinc.                       |
| 2     | 7        | 6253.48.01  | Dent<br>Tine  |
| 3     | 1        | 6258.03.34  | Ensemble de ressort gauche série 1 cpl.<br>Spring assembly left series 1 cpl. |
| 4     | 1        | 6258.03.35  | Ensemble de ressort gauche série 2 cpl.<br>Spring assemble left series 2 cpl. |
| 5     | 1        | 6258.03.81  | Angle tôle droite<br>Angle sheet metal right                                  |
| 6     | 11       | 7991D1250PA | Vis FHc M12x50 ISO10642-8.8 ZNBL<br>Screw FHc M12x50 ISO10642-8.8 ZNBL        |
| 7     | 11       | 934D12PA    | Ecrou std H M12 - pas 175 Zingue<br>Nut std H M12 - thread 175 Zingue         |



*Train denté gauche cpl.*

*Tiné trailer left cpl.*

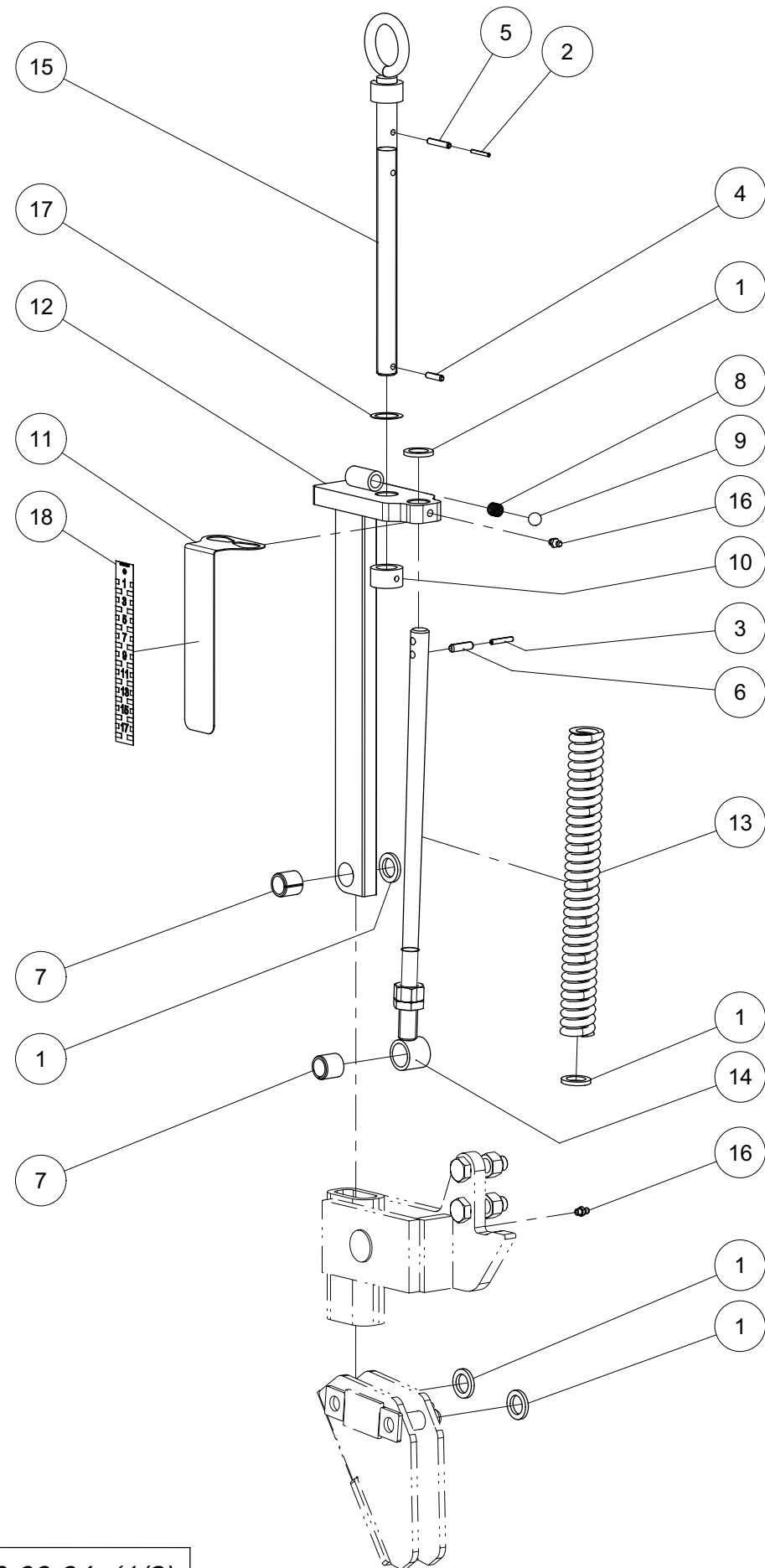


| Index | Quantity | Reference   | Designation   |
|-------|----------|-------------|---|
| 1     | 4        | 125DA13A    | Rondelle A 13 ISO7089 ZNBL<br>Washer A 13 ISO7089 Zinc.                       |
| 2     | 7        | 6253.48.01  | Dent<br>Tine  |
| 3     | 1        | 6258.03.34  | Ensemble de ressort gauche série 1 cpl.<br>Spring assembly left series 1 cpl. |
| 4     | 1        | 6258.03.35  | Ensemble de ressort gauche série 2 cpl.<br>Spring assemble left series 2 cpl. |
| 5     | 1        | 6258.03.85  | Angle tôle gauche<br>Angle sheet metal left                                   |
| 6     | 11       | 7991D1250PA | Vis FHc M12x50 ISO10642-8.8 ZNBL<br>Screw FHc M12x50 ISO10642-8.8 ZNBL        |
| 7     | 11       | 934D12PA    | Ecrou std H M12 - pas 175 Zingue<br>Nut std H M12 - thread 175 Zingue         |



*Ensemble de ressort gauche série 1 cpl.*

*Spring assembly left series 1 cpl.*

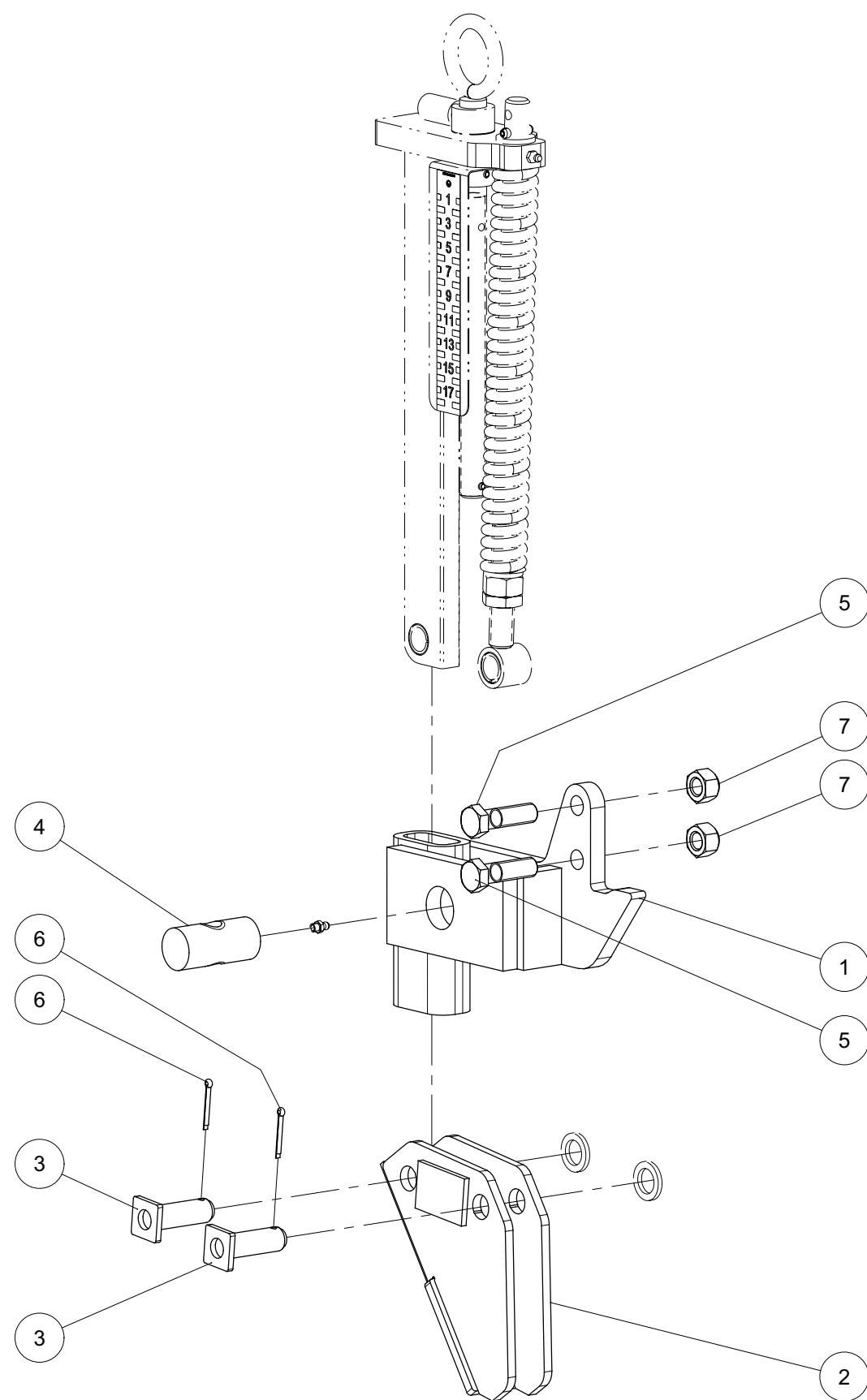


| Index | Quantity | Reference   | Designation  |
|-------|----------|-------------|--|
| 1     | 5        | 1441D21A    | Rondelle 21 DIN1441 Z<br>Washer 21 DIN1441 Z                           |
| 2     | 1        | 1481D3.530A | Goupille elastique 3,5 X 30 ISO8752 Z<br>Spring Pin 3,5 X 30 ISO8752 Z |
| 3     | 1        | 1481D530A   | Goupille elastique 5 X 30 ISO8752 Z<br>Spring Pin 5 X 30 ISO8752 Z     |
| 4     | 1        | 1481D626A   | Goupille elastique 6 X 26 ISO8752 Z<br>Spring Pin 6 X 26 ISO8752 Z     |
| 5     | 1        | 1481D636A   | Goupille elastique 6 X 36 ISO8752 Z<br>Spring Pin 6 X 36 ISO8752 Z     |
| 6     | 1        | 1481D830    | Goupille elastique 8 X 30 ISO8752<br>Spring Pin 8 X 30 ISO8752         |
| 7     | 2        | 1498D202624 | Douille EG 20/26x24 DIN1498<br>Bush EG 20/26x24 DIN1498                |
| 8     | 1        | 4716.12.00  | Ressort de compression<br>Compression Spring                           |
| 9     | 1        | 4716.36.00  | Bille<br>Ball  |
| 10    | 1        | 6258.03.02  | Bague de butée<br>Stop ring  |
| 11    | 1        | 6258.03.75  | Échelle de tôle<br>Scale sheet metal                                   |
| 12    | 1        | 6337.43.20  | Tige soudée<br>Stalk welded  |
| 13    | 1        | 6337.48.15  | Ressort de compression DF-269.5<br>Compression spring DF-269.5         |
| 14    | 1        | 6337.81.01  | Bras soudée<br>Compression rod welded                                  |
| 15    | 1        | 6464.07.39  | Broche soudé<br>Spindle welded   |
| 16    | 2        | 71412DA81   | Graisseur H1-M 8x1 -180<br>Grease Nipple H1-M 8x1 -180                 |
| 17    | 1        | 988D25350.5 | Rondelle 25x 35x0,5 DIN988<br>Washer 25x 35x0,5 DIN988                 |
| 18    | 1        | 9998.09.04  | Échelle d'autocollant<br>Sticker scale                                 |



*Ensemble de ressort gauche série 1 cpl.*

*Spring assembly left series 1 cpl.*

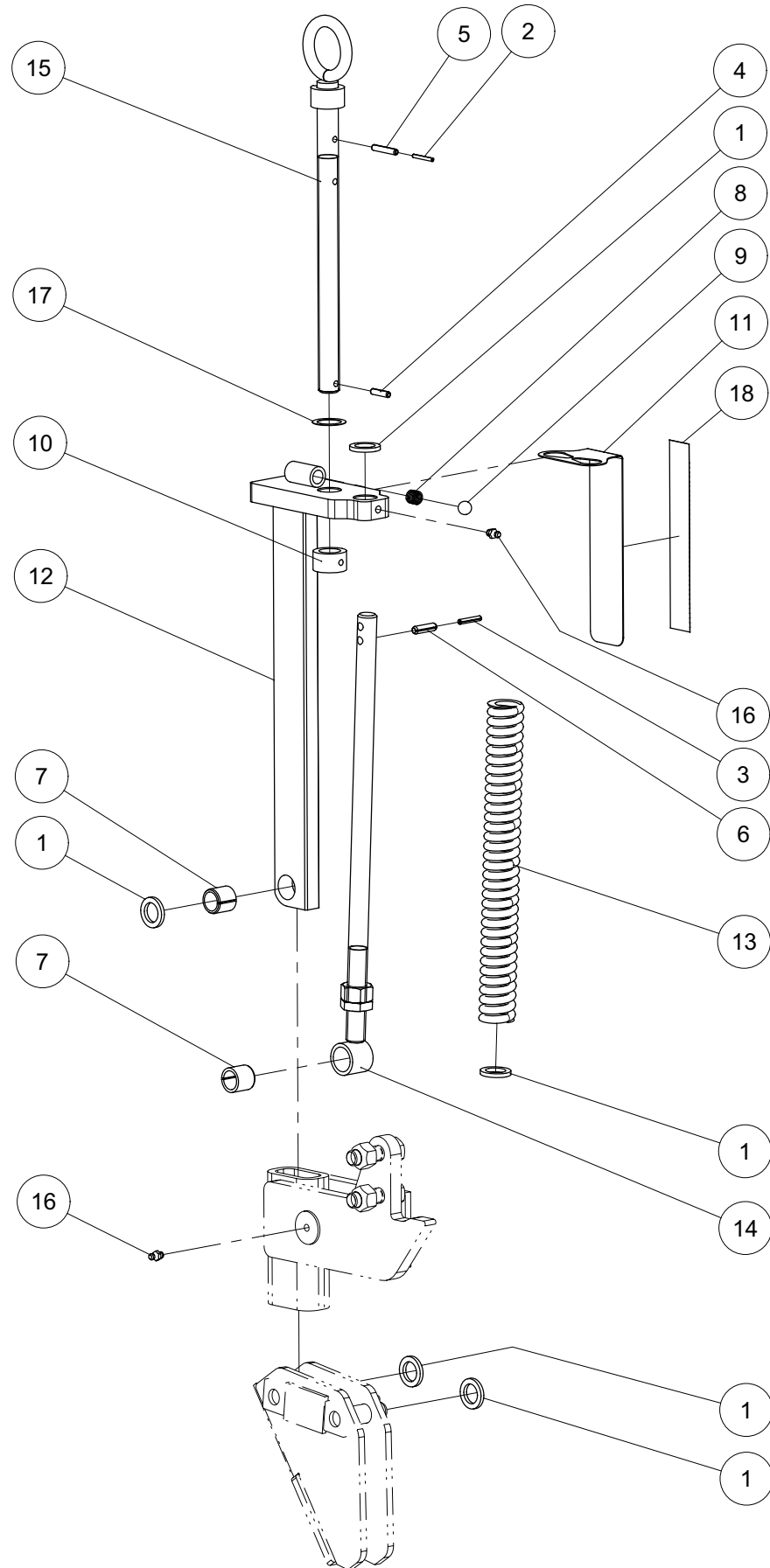


| Index | Quantity | Reference  | Designation   |
|-------|----------|------------|---|
| 1     | 1        | 6258.03.61 | Support gauche soudé<br>Bracket left welded               |
| 2     | 1        | 6258.03.95 | Support soudé version 1<br>Welded holder version 1        |
| 3     | 2        | 6337.45.03 | Axe sécurité D20-53.5<br>Safety pin D20-53.5              |
| 4     | 1        | 6806.34.03 | Ecrou de la vis Tr. 22x5<br>Spindle nut Tr. 22x5          |
| 5     | 2        | 931D1655PA | Vis H M16 x 55 ZNBL 8.8<br>Hex. Screw M16 x 55 Zinc 8.8   |
| 6     | 2        | 94D432     | Goupille fendue 4x 32 ISO1234<br>cotter pin 4x 32 ISO1234 |
| 7     | 2        | 980DV16PA  | Ecrou M16 ZNBL 8.8<br>Nut M16 Zinc 8.8                    |



*Ensemble de ressort gauche série 2 cpl.*

*Spring assemble left series 2 cpl.*



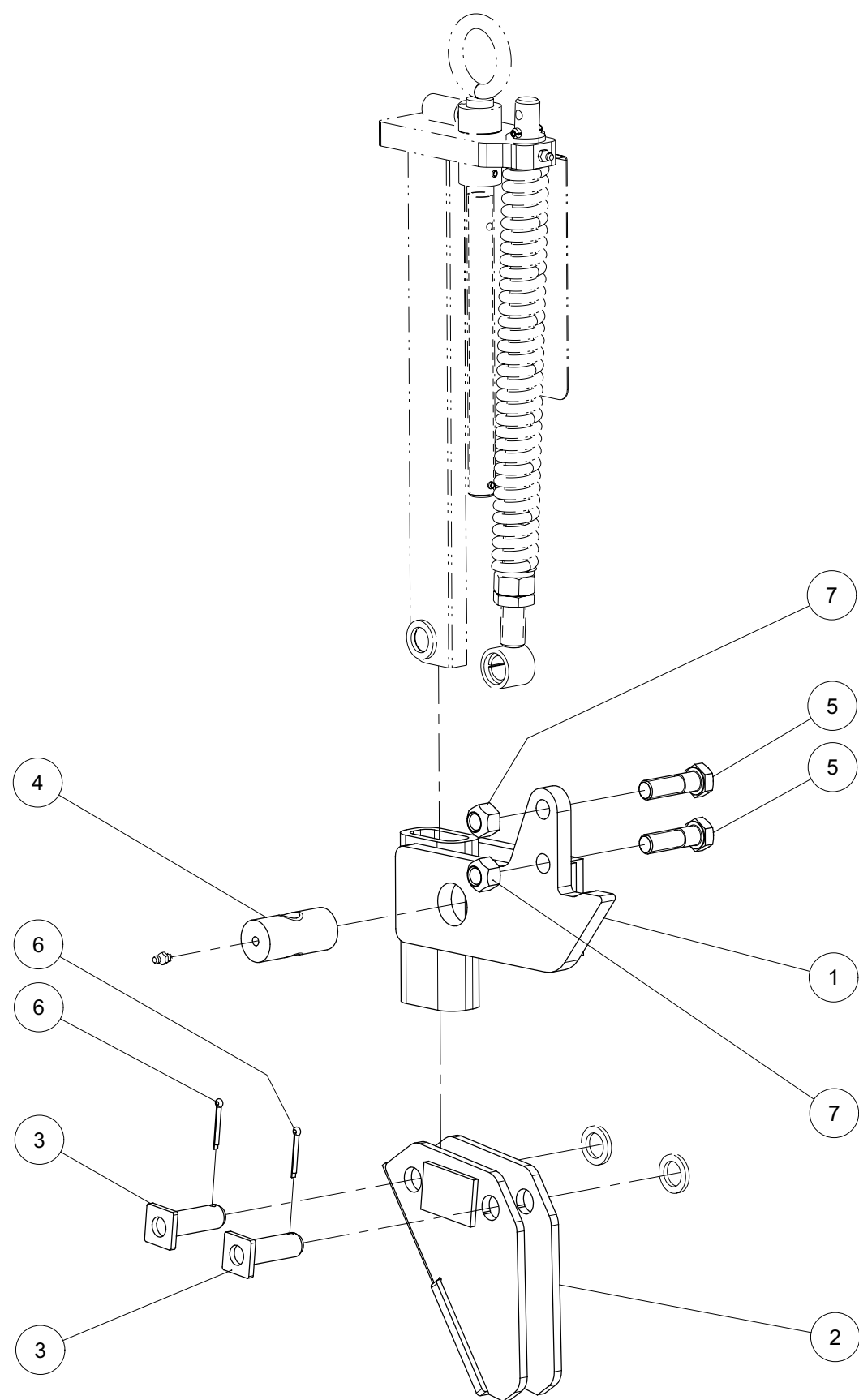
| Index | Quantity | Reference   | Designation  |
|-------|----------|-------------|--|
| 1     | 5        | 1441D21A    | Rondelle 21 DIN1441 Z<br>Washer 21 DIN1441 Z                           |
| 2     | 1        | 1481D3.530A | Goupille elastique 3,5 X 30 ISO8752 Z<br>Spring Pin 3,5 X 30 ISO8752 Z |
| 3     | 1        | 1481D530A   | Goupille elastique 5 X 30 ISO8752 Z<br>Spring Pin 5 X 30 ISO8752 Z     |
| 4     | 1        | 1481D626A   | Goupille elastique 6 X 26 ISO8752 Z<br>Spring Pin 6 X 26 ISO8752 Z     |
| 5     | 1        | 1481D636A   | Goupille elastique 6 X 36 ISO8752 Z<br>Spring Pin 6 X 36 ISO8752 Z     |
| 6     | 1        | 1481D830    | Goupille elastique 8 X 30 ISO8752<br>Spring Pin 8 X 30 ISO8752         |
| 7     | 2        | 1498D202624 | Douille EG 20/26x24 DIN1498<br>Bush EG 20/26x24 DIN1498                |
| 8     | 1        | 4716.12.00  | Ressort de compression<br>Compression Spring                           |
| 9     | 1        | 4716.36.00  | Bille<br>Ball  |
| 10    | 1        | 6258.03.02  | Bague de butée<br>Stop ring  |
| 11    | 1        | 6258.03.75  | Échelle de tôle<br>Scale sheet metal                                   |
| 12    | 1        | 6337.43.20  | Tige soudée<br>Stalk welded  |
| 13    | 1        | 6337.48.15  | Ressort de compression DF-269.5<br>Compression spring DF-269.5         |
| 14    | 1        | 6337.81.01  | Bras soudée<br>Compression rod welded                                  |
| 15    | 1        | 6464.07.39  | Broche soudé<br>Spindle welded   |
| 16    | 2        | 71412DA81   | Graisseur H1-M 8x1 -180<br>Grease Nipple H1-M 8x1 -180                 |
| 17    | 1        | 988D25350.5 | Rondelle 25x 35x0,5 DIN988<br>Washer 25x 35x0,5 DIN988                 |
| 18    | 1        | 9998.09.04  | Échelle d'autocollant<br>Sticker scale                                 |



*Ensemble de ressort gauche série 2 cpl.*

*Spring assemble left series 2 cpl.*

| Index | Quantity | Reference  | Designation   |
|-------|----------|------------|---|
| 1     | 1        | 6258.03.64 | Support droit soudé<br>Bracket right welded               |
| 2     | 1        | 6258.03.95 | Support soudé version 1<br>Welded holder version 1        |
| 3     | 2        | 6337.45.03 | Axe sécurité D20-53.5<br>Safety pin D20-53.5              |
| 4     | 1        | 6806.34.03 | Ecrou de la vis Tr. 22x5<br>Spindle nut Tr. 22x5          |
| 5     | 2        | 931D1655PA | Vis H M16 x 55 ZNBL 8.8<br>Hex. Screw M16 x 55 Zinc 8.8   |
| 6     | 2        | 94D432     | Goupille fendue 4x 32 ISO1234<br>cotter pin 4x 32 ISO1234 |
| 7     | 2        | 980DV16PA  | Ecrou M16 ZNBL 8.8<br>Nut M16 Zinc 8.8                    |



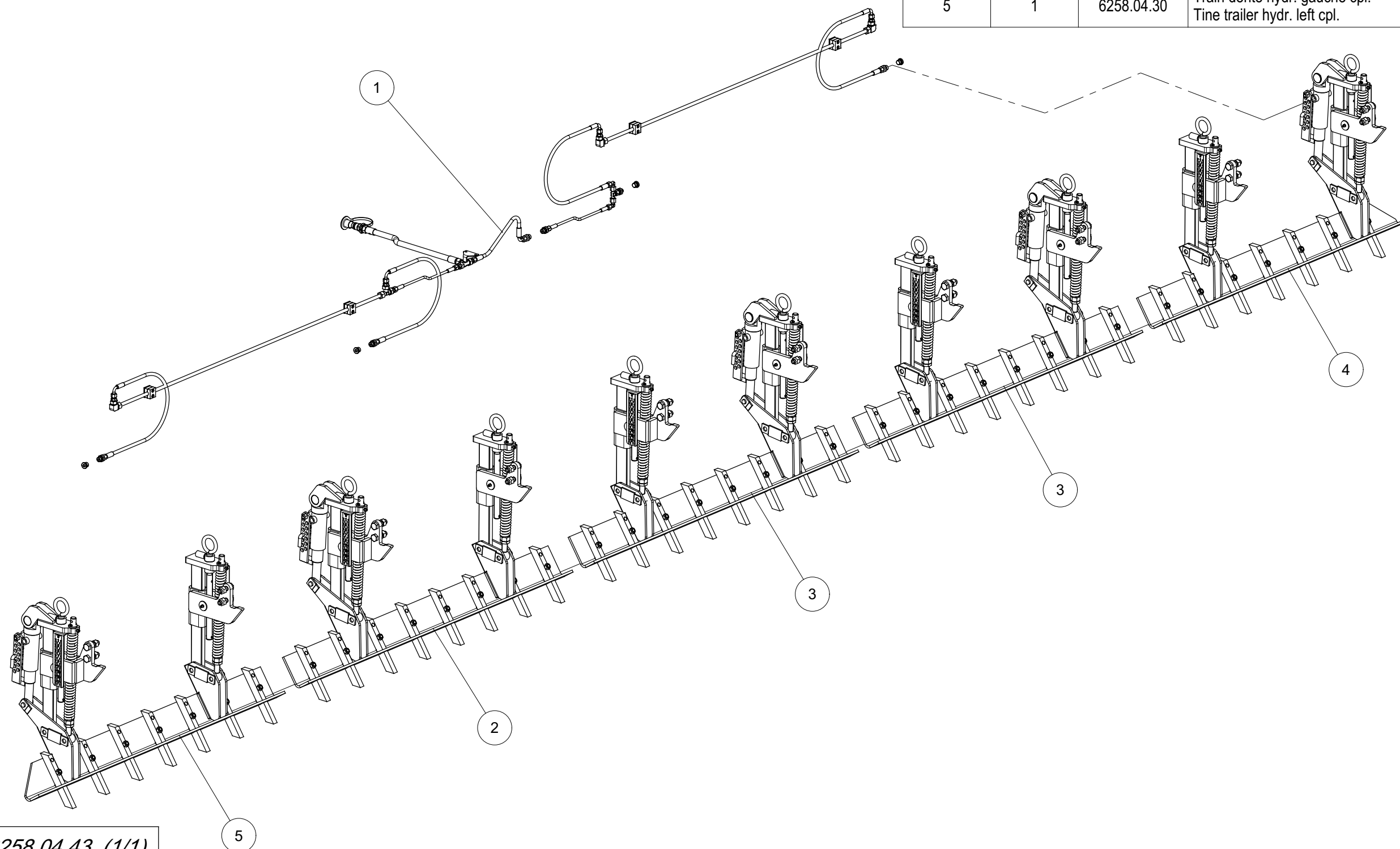




*Train denté hydr. 7501 L (S) cpl.*

*Tine trailer hydr. 7501 L (S) cpl.*

| Index | Quantity | Reference  | Designation  |
|-------|----------|------------|--|
| 1     | 1        | 6253.91.03 | Hydr. Train denté 7500<br>Hydr. Tine trailer 7500  |
| 2     | 1        | 6258.04.10 | Train denté hydr. section médiane version 1 cpl.<br>Tine trailer hydr. midsection version 1 cpl. |
| 3     | 2        | 6258.04.15 | Train denté hydr. section médiane version 2 cpl.<br>Tine trailer hydr. midsection version 2 cpl. |
| 4     | 1        | 6258.04.20 | Train denté hydr. droit cpl.<br>Tine trailer hydr. right cpl.                                    |
| 5     | 1        | 6258.04.30 | Train denté hydr. gauche cpl.<br>Tine trailer hydr. left cpl.                                    |



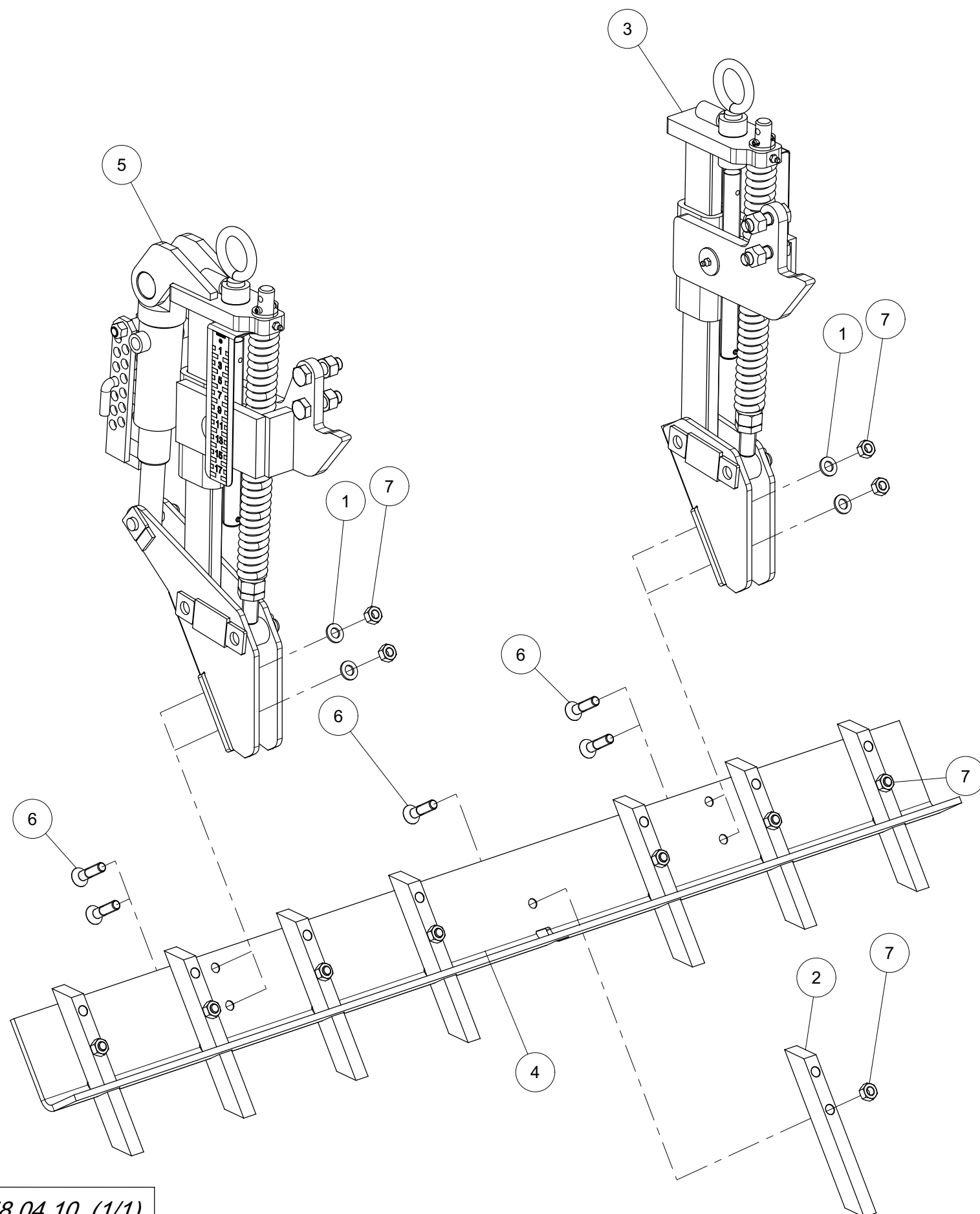
6258.04.43 (1/1)





*Train denté hydr. section médiane version 1 cpl.*

*Tine trailer hydr. midsection version 1 cpl.*

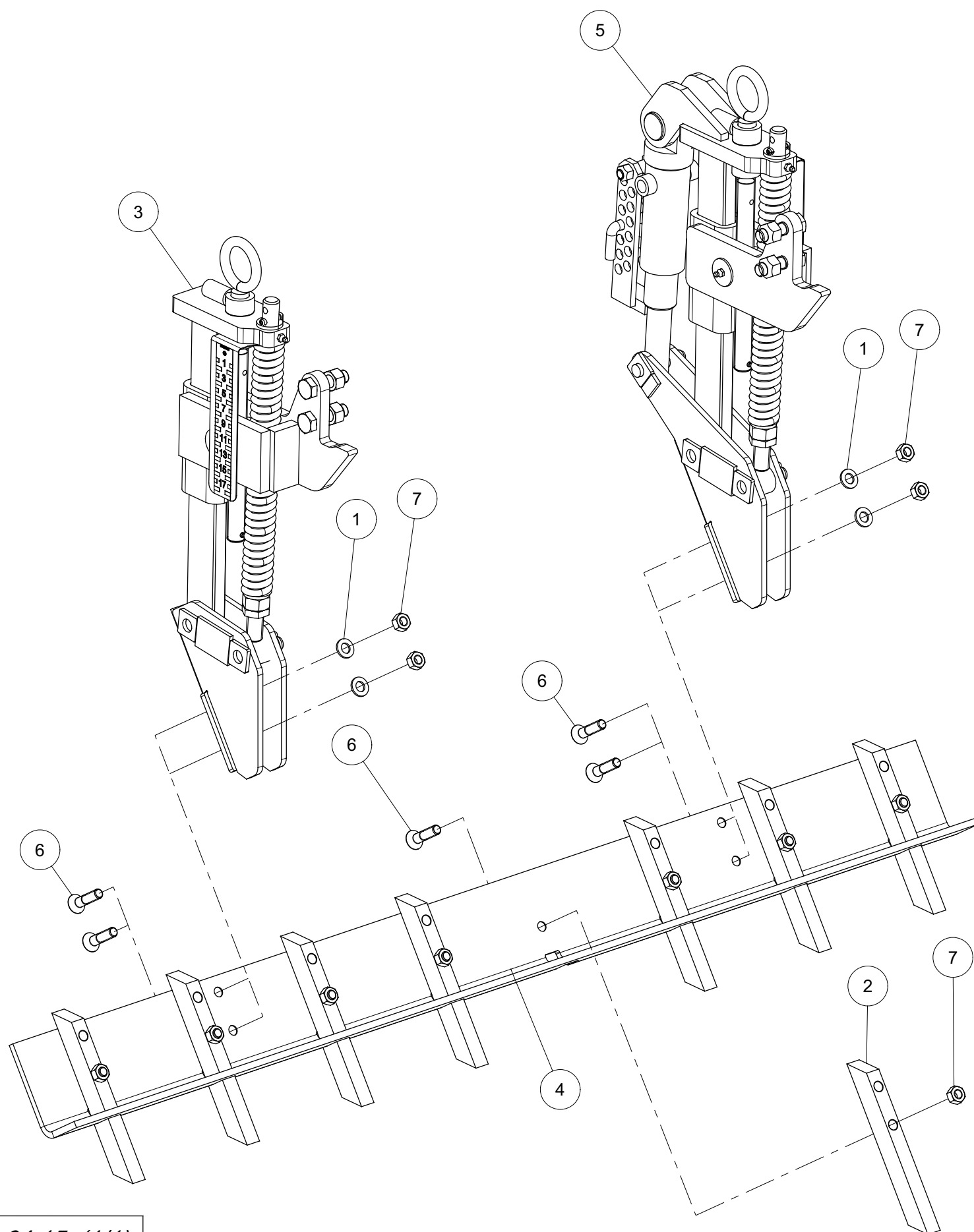


| Index | Quantity | Reference   | Designation   |
|-------|----------|-------------|---|
| 1     | 4        | 125DA13A    | Rondelle A 13 ISO7089 ZNBL<br>Washer A 13 ISO7089 Zinc.                       |
| 2     | 8        | 6253.48.01  | Dent<br>Tine  |
| 3     | 1        | 6258.03.35  | Ensemble de ressort gauche série 2 cpl.<br>Spring assemble left series 2 cpl. |
| 4     | 1        | 6258.03.90  | Angle tôle au milieu<br>Angle sheet metal midst                               |
| 5     | 1        | 6258.04.37  | Ensemble de ressort série 4 cpl.<br>Spring assemble series 4 cpl.             |
| 6     | 12       | 7991D1250PA | Vis FHc M12x50 ISO10642-8.8 ZNBL<br>Screw FHc M12x50 ISO10642-8.8 ZNBL        |
| 7     | 12       | 934D12PA    | Ecrou std H M12 - pas 175 Zingue<br>Nut std H M12 - thread 175 Zingue         |



*Train denté hydr. section médiane version 2 cpl.*

*Tine trailer hydr. midsection version 2 cpl.*

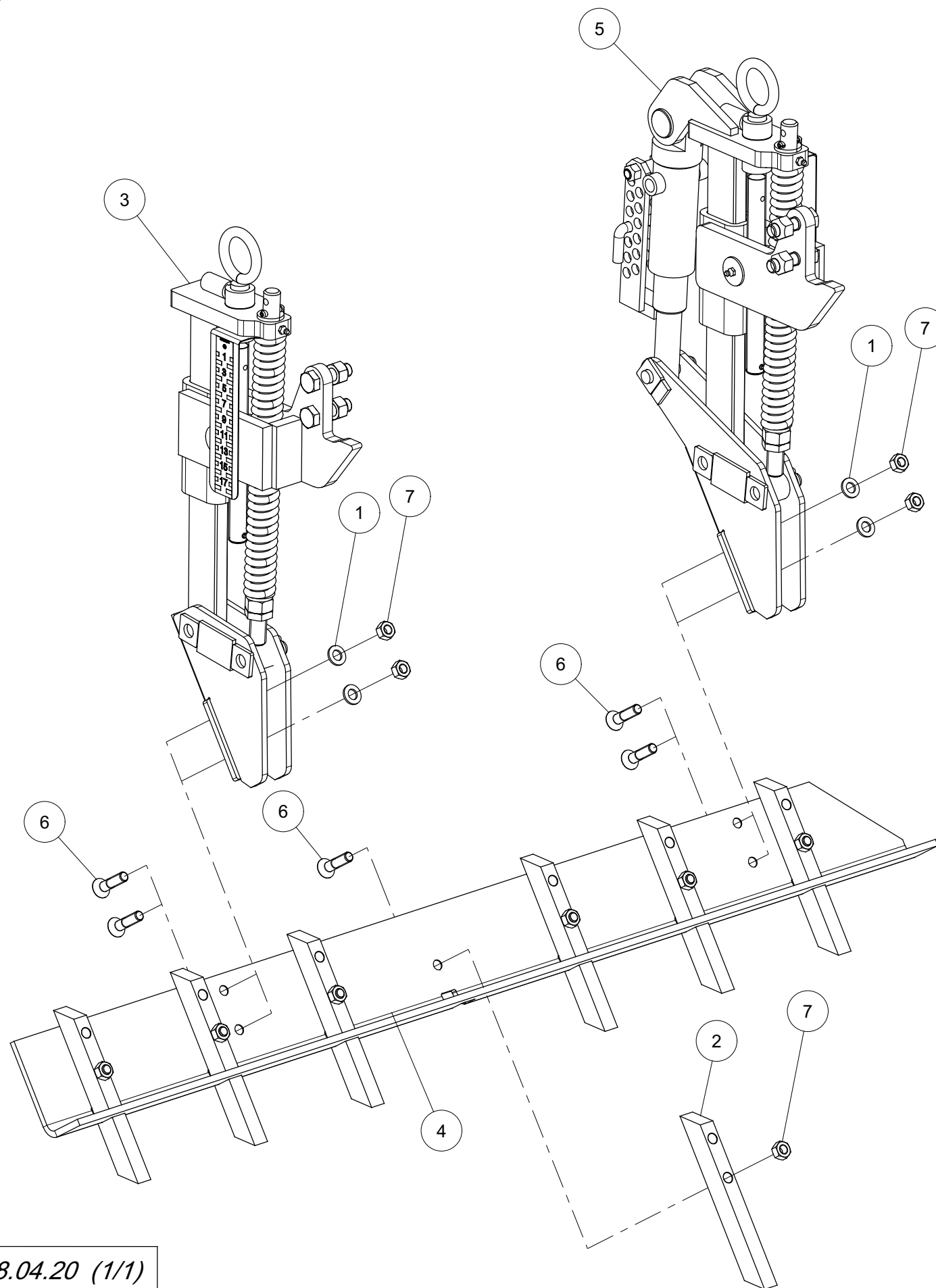


| Index | Quantity | Reference   | Designation   |
|-------|----------|-------------|---|
| 1     | 4        | 125DA13A    | Rondelle A 13 ISO7089 ZNBL<br>Washer A 13 ISO7089 Zinc.                       |
| 2     | 8        | 6253.48.01  | Dent<br>Tine  |
| 3     | 1        | 6258.03.34  | Ensemble de ressort gauche série 1 cpl.<br>Spring assembly left series 1 cpl. |
| 4     | 1        | 6258.03.90  | Angle tôle au milieu<br>Angle sheet metal midst                               |
| 5     | 1        | 6258.04.38  | Ensemble de ressort série 5 cpl.<br>Spring assemble series 5 cpl.             |
| 6     | 12       | 7991D1250PA | Vis FHc M12x50 ISO10642-8.8 ZNBL<br>Screw FHc M12x50 ISO10642-8.8 ZNBL        |
| 7     | 12       | 934D12PA    | Ecrou std H M12 - pas 175 Zingue<br>Nut std H M12 - thread 175 Zingue         |



*Train denté hydr. droit cpl.*

*Tine trailer hydr. right cpl.*

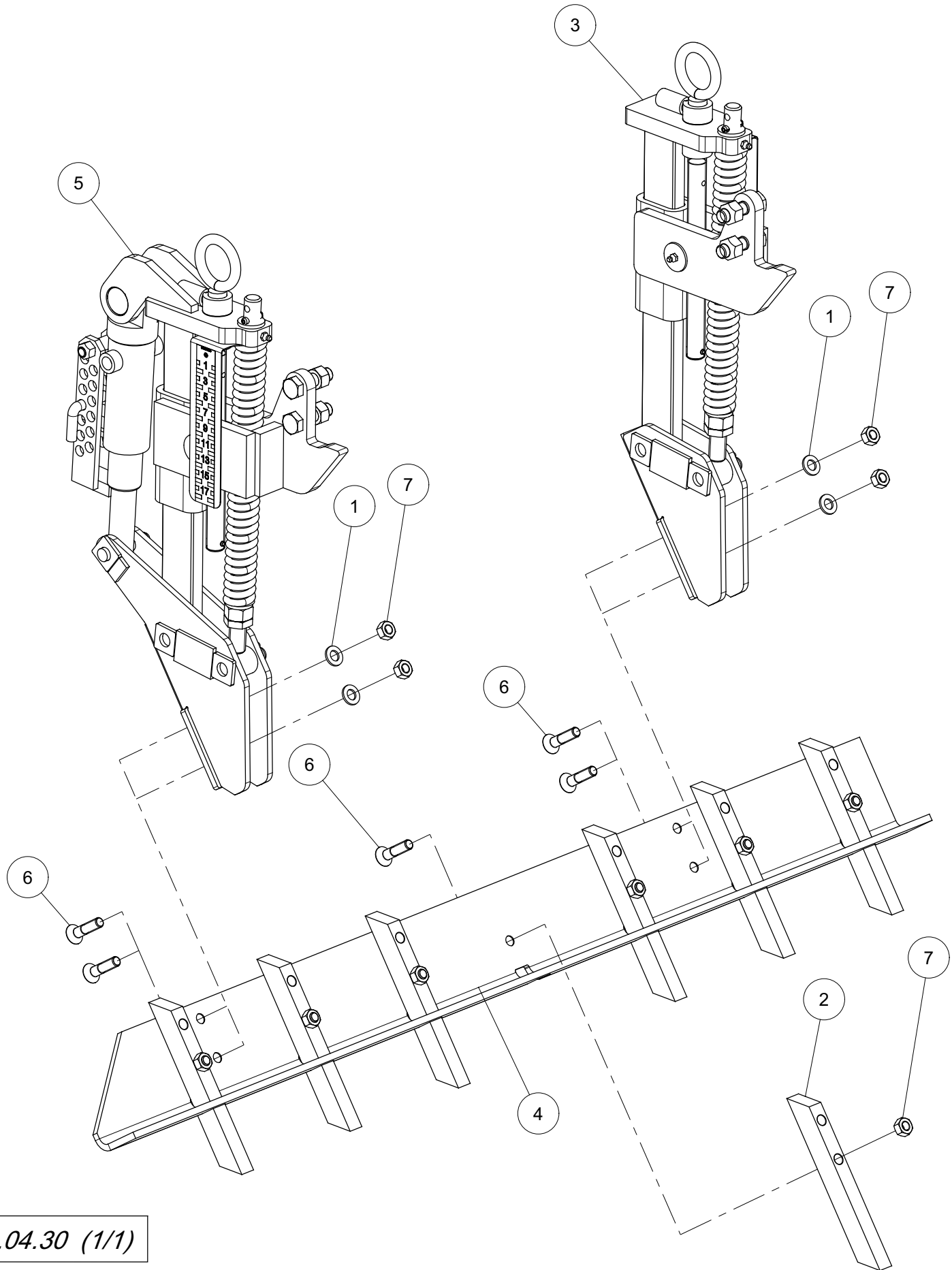


| Index | Quantity | Reference   | Designation   |
|-------|----------|-------------|---|
| 1     | 4        | 125DA13A    | Rondelle A 13 ISO7089 ZNBL<br>Washer A 13 ISO7089 Zinc.                       |
| 2     | 7        | 6253.48.01  | Dent<br>Tine  |
| 3     | 1        | 6258.03.34  | Ensemble de ressort gauche série 1 cpl.<br>Spring assembly left series 1 cpl. |
| 4     | 1        | 6258.03.81  | Angle tôle droite<br>Angle sheet metal right                                  |
| 5     | 1        | 6258.04.38  | Ensemble de ressort série 5 cpl.<br>Spring assemble series 5 cpl.             |
| 6     | 11       | 7991D1250PA | Vis FHc M12x50 ISO10642-8.8 ZNBL<br>Screw FHc M12x50 ISO10642-8.8 ZNBL        |
| 7     | 11       | 934D12PA    | Ecrou std H M12 - pas 175 Zingue<br>Nut std H M12 - thread 175 Zingue         |



*Train denté hydr. gauche cpl.*

*Tine trailer hydr. left cpl.*

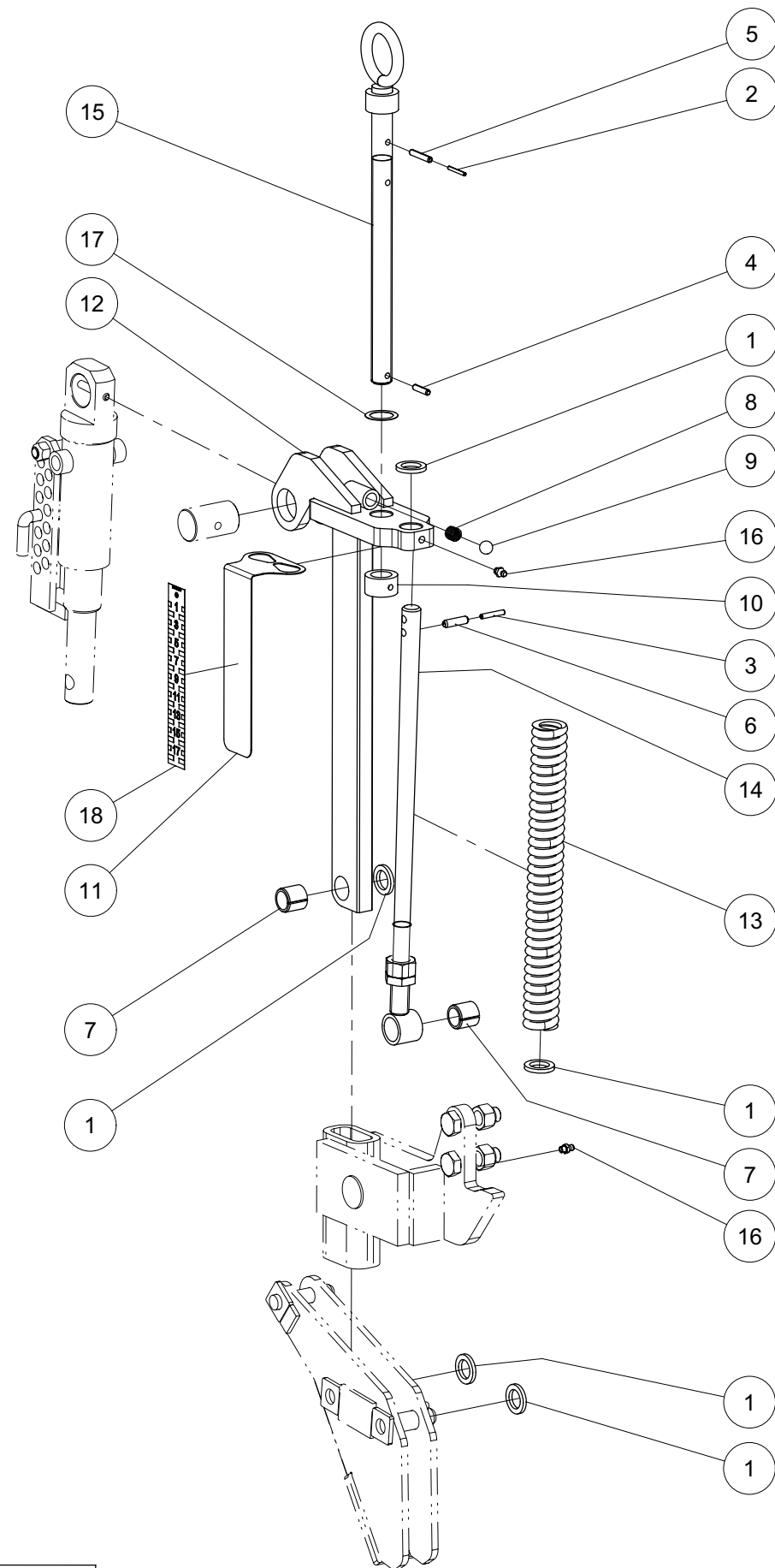


| Index | Quantity | Reference   | Designation   |
|-------|----------|-------------|---|
| 1     | 4        | 125DA13A    | Rondelle A 13 ISO7089 ZNBL<br>Washer A 13 ISO7089 Zinc.                       |
| 2     | 7        | 6253.48.01  | Dent<br>Tine  |
| 3     | 1        | 6258.03.35  | Ensemble de ressort gauche série 2 cpl.<br>Spring assemble left series 2 cpl. |
| 4     | 1        | 6258.03.85  | Angle tôle gauche<br>Angle sheet metal left                                   |
| 5     | 1        | 6258.04.37  | Ensemble de ressort série 4 cpl.<br>Spring assemble series 4 cpl.             |
| 6     | 11       | 7991D1250PA | Vis FHc M12x50 ISO10642-8.8 ZNBL<br>Screw FHc M12x50 ISO10642-8.8 ZNBL        |
| 7     | 11       | 934D12PA    | Ecrou std H M12 - pas 175 Zingue<br>Nut std H M12 - thread 175 Zingue         |



*Ensemble de ressort série 4 cpl.*

*Spring assemble series 4 cpl.*



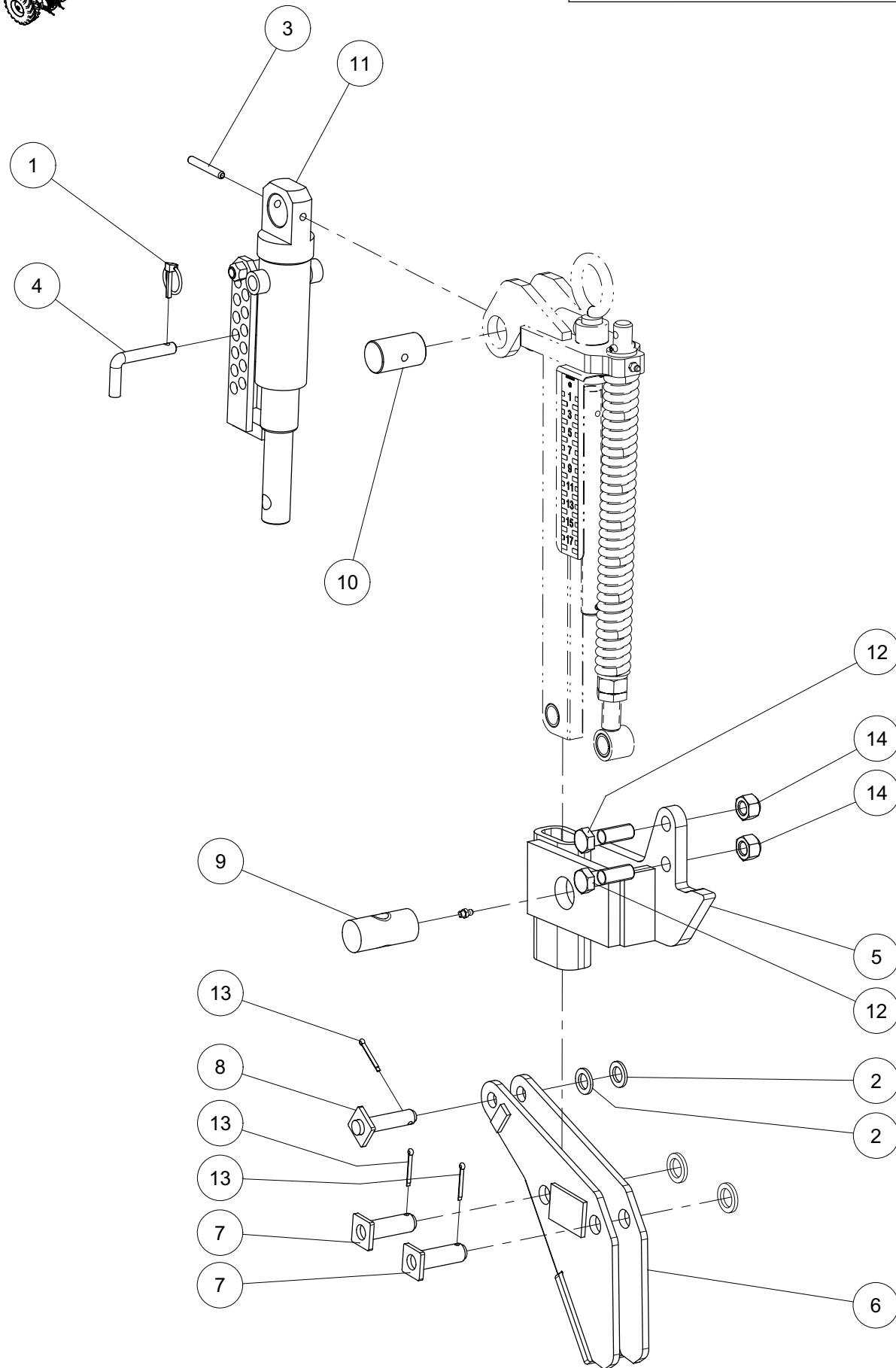
| Index | Quantity | Reference   | Designation  |
|-------|----------|-------------|--|
| 1     | 5        | 1441D21A    | Rondelle 21 DIN1441 Z<br>Washer 21 DIN1441 Z                           |
| 2     | 1        | 1481D3.530A | Goupille elastique 3,5 X 30 ISO8752 Z<br>Spring Pin 3,5 X 30 ISO8752 Z |
| 3     | 1        | 1481D530A   | Goupille elastique 5 X 30 ISO8752 Z<br>Spring Pin 5 X 30 ISO8752 Z     |
| 4     | 1        | 1481D626A   | Goupille elastique 6 X 26 ISO8752 Z<br>Spring Pin 6 X 26 ISO8752 Z     |
| 5     | 1        | 1481D636A   | Goupille elastique 6 X 36 ISO8752 Z<br>Spring Pin 6 X 36 ISO8752 Z     |
| 6     | 1        | 1481D830    | Goupille elastique 8 X 30 ISO8752<br>Spring Pin 8 X 30 ISO8752         |
| 7     | 2        | 1498D202624 | Douille EG 20/26x24 DIN1498<br>Bush EG 20/26x24 DIN1498                |
| 8     | 1        | 4716.12.00  | Ressort de compression<br>Compression Spring                           |
| 9     | 1        | 4716.36.00  | Bille<br>Ball  |
| 10    | 1        | 6258.03.02  | Bague de butée<br>Stop ring  |
| 11    | 1        | 6258.03.75  | Échelle de tôle<br>Scale sheet metal                                   |
| 12    | 1        | 6337.43.22  | Tige soudé<br>Stalk welded   |
| 13    | 1        | 6337.48.15  | Ressort de compression DF-269.5<br>Compression spring DF-269.5         |
| 14    | 1        | 6337.81.01  | Bras soudée<br>Compression rod welded                                  |
| 15    | 1        | 6464.07.39  | Broche soudé<br>Spindle welded   |
| 16    | 2        | 71412DA81   | Graisseur H1-M 8x1 -180<br>Grease Nipple H1-M 8x1 -180                 |
| 17    | 1        | 988D25350.5 | Rondelle 25x 35x0,5 DIN988<br>Washer 25x 35x0,5 DIN988                 |
| 18    | 1        | 9998.09.04  | Échelle d'autocollant<br>Sticker scale                                 |





*Ensemble de ressort série 4 cpl.*

*Spring assemble series 4 cpl.*

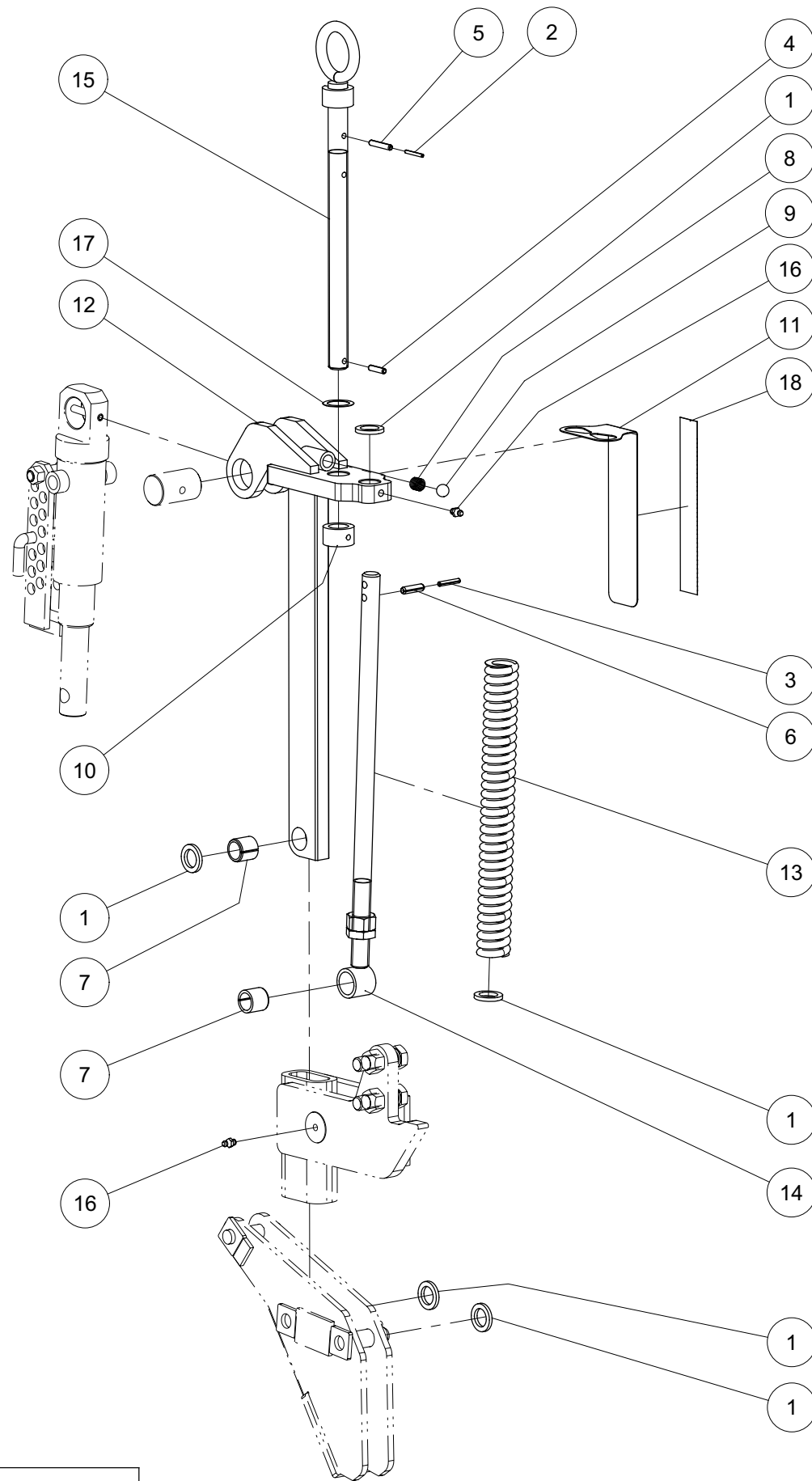


| Index | Quantity | Reference  | Designation  |
|-------|----------|------------|--|
| 1     | 1        | 11023D532A | Goupille "Clips" Dia 5 Z<br>Lynch pin Dia5                         |
| 2     | 2        | 1441D17A   | Rondelle 17 DIN1441 Z<br>Washer 17 DIN1441 Z                       |
| 3     | 1        | 1481D860A  | Goupille elastique 8 X 60 ISO8752 Z<br>Spring Pin 8 X 60 ISO8752 Z |
| 4     | 1        | 6241.29.02 | Axe TB-12x50<br>Pin TB-12x50                                       |
| 5     | 1        | 6258.03.61 | Support gauche soudé<br>Bracket left welded                        |
| 6     | 1        | 6258.04.92 | Support soudé version 2<br>Welded holder version 2                 |
| 7     | 2        | 6337.45.03 | Axe sécurité D20-53.5<br>Safety pin D20-53.5                       |
| 8     | 1        | 6349.16.01 | Axe D16-56<br>Pin D16-56   |
| 9     | 1        | 6806.34.03 | Ecrou de la vis Tr. 22x5<br>Spindle nut Tr. 22x5                   |
| 10    | 1        | 8163.01.01 | Axe D35x57 mm<br>Pin D35x57 mm                                     |
| 11    | 1        | 8171.48.01 | Cylindre 45/40/96/310 monté<br>Cylinder 45/40/96/310 mounted       |
| 12    | 2        | 931D1655PA | Vis H M16 x 55 ZNBL 8.8<br>Hex. Screw M16 x 55 Zinc 8.8            |
| 13    | 3        | 94D432     | Goupille fendue 4x 32 ISO1234<br>cotter pin 4x 32 ISO1234          |
| 14    | 2        | 980DV16PA  | Ecrou M16 ZNBL 8.8<br>Nut M16 Zinc 8.8                             |



*Ensemble de ressort série 5 cpl.*

*Spring assemble series 5 cpl.*



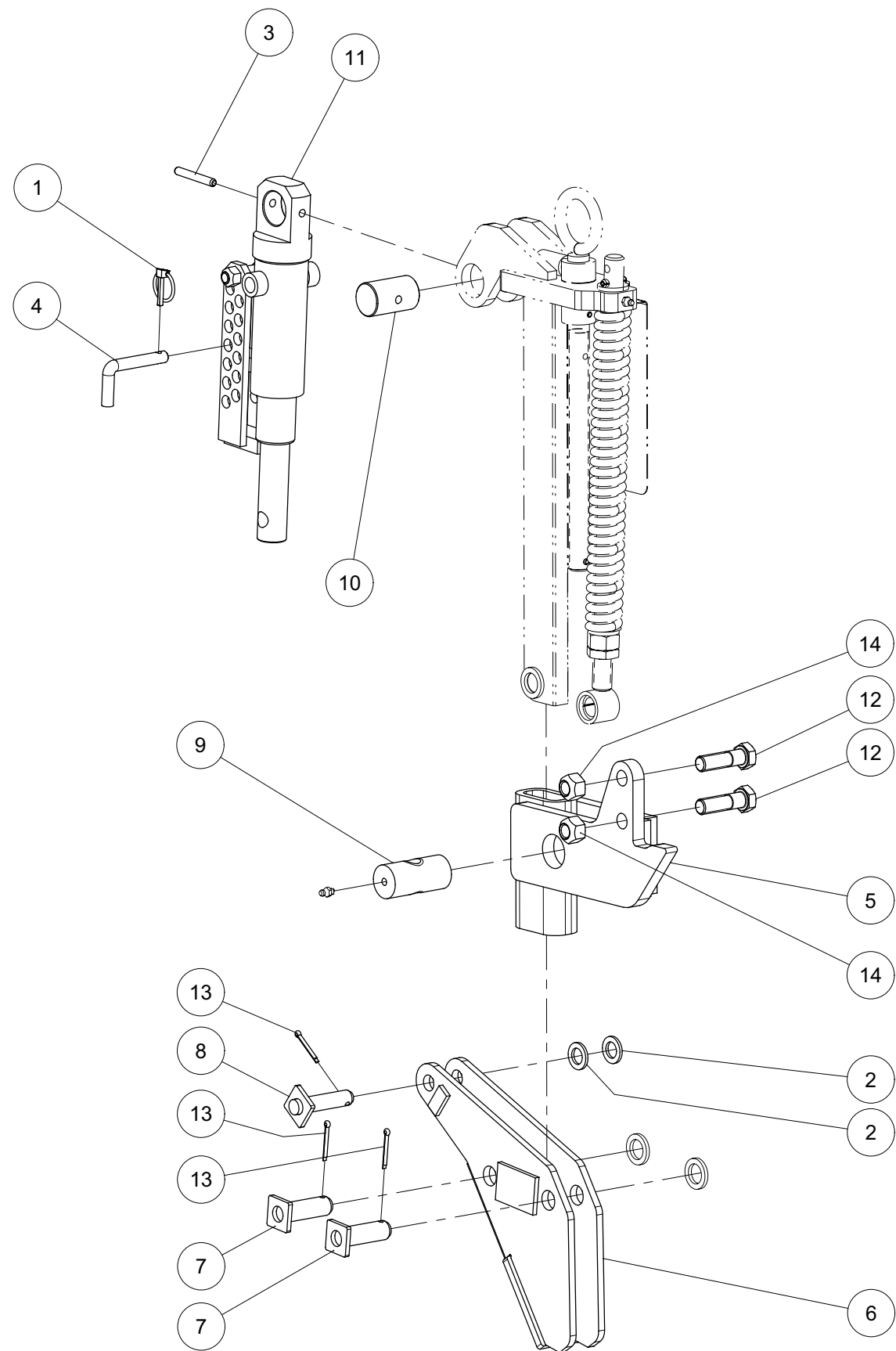
| Index | Quantity | Reference   | Designation  |
|-------|----------|-------------|--|
| 1     | 5        | 1441D21A    | Rondelle 21 DIN1441 Z<br>Washer 21 DIN1441 Z                           |
| 2     | 1        | 1481D3.530A | Goupille elastique 3,5 X 30 ISO8752 Z<br>Spring Pin 3,5 X 30 ISO8752 Z |
| 3     | 1        | 1481D530A   | Goupille elastique 5 X 30 ISO8752 Z<br>Spring Pin 5 X 30 ISO8752 Z     |
| 4     | 1        | 1481D626A   | Goupille elastique 6 X 26 ISO8752 Z<br>Spring Pin 6 X 26 ISO8752 Z     |
| 5     | 1        | 1481D636A   | Goupille elastique 6 X 36 ISO8752 Z<br>Spring Pin 6 X 36 ISO8752 Z     |
| 6     | 1        | 1481D830    | Goupille elastique 8 X 30 ISO8752<br>Spring Pin 8 X 30 ISO8752         |
| 7     | 2        | 1498D202624 | Douille EG 20/26x24 DIN1498<br>Bush EG 20/26x24 DIN1498                |
| 8     | 1        | 4716.12.00  | Ressort de compression<br>Compression Spring                           |
| 9     | 1        | 4716.36.00  | Bille<br>Ball  |
| 10    | 1        | 6258.03.02  | Bague de butée<br>Stop ring  |
| 11    | 1        | 6258.03.75  | Échelle de tôle<br>Scale sheet metal                                   |
| 12    | 1        | 6337.43.22  | Tige soudé<br>Stalk welded   |
| 13    | 1        | 6337.48.15  | Ressort de compression DF-269.5<br>Compression spring DF-269.5         |
| 14    | 1        | 6337.81.01  | Bras soudée<br>Compression rod welded                                  |
| 15    | 1        | 6464.07.39  | Broche soudé<br>Spindle welded   |
| 16    | 2        | 71412DA81   | Graisseur H1-M 8x1 -180<br>Grease Nipple H1-M 8x1 -180                 |
| 17    | 1        | 988D25350.5 | Rondelle 25x 35x0,5 DIN988<br>Washer 25x 35x0,5 DIN988                 |
| 18    | 1        | 9998.09.04  | Échelle d'autocollant<br>Sticker scale                                 |





*Ensemble de ressort série 5 cpl.*

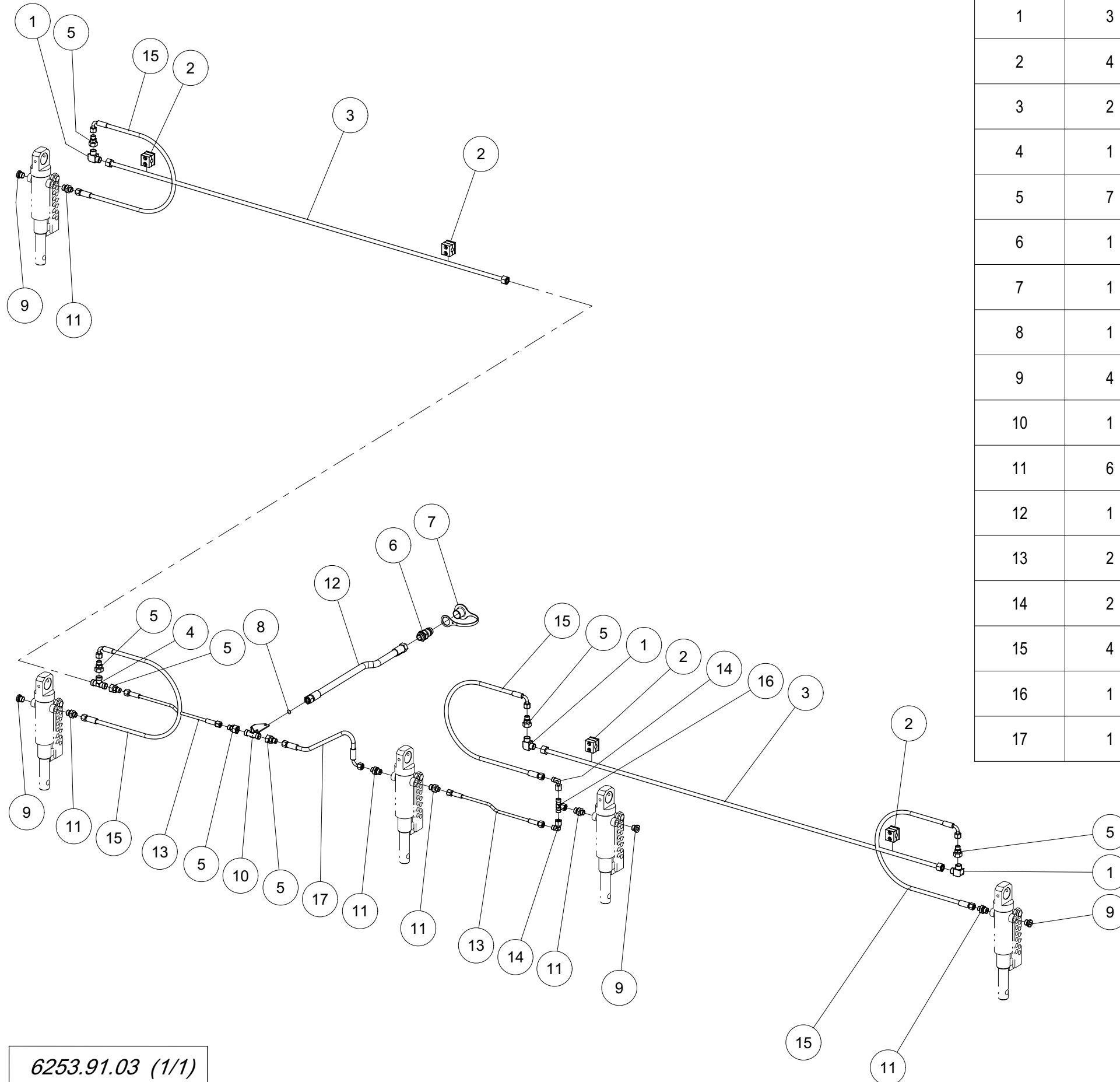
*Spring assemble series 5 cpl.*



| Index | Quantity | Reference  | Designation  |
|-------|----------|------------|--|
| 1     | 1        | 11023D532A | Goupille "Clips" Dia 5 Z<br>Lynch pin Dia5                         |
| 2     | 2        | 1441D17A   | Rondelle 17 DIN1441 Z<br>Washer 17 DIN1441 Z                       |
| 3     | 1        | 1481D860A  | Goupille elastique 8 X 60 ISO8752 Z<br>Spring Pin 8 X 60 ISO8752 Z |
| 4     | 1        | 6241.29.02 | Axe TB-12x50<br>Pin TB-12x50                                       |
| 5     | 1        | 6258.03.64 | Support droit soudé<br>Bracket right welded                        |
| 6     | 1        | 6258.04.92 | Support soudé version 2<br>Welded holder version 2                 |
| 7     | 2        | 6337.45.03 | Axe sécurité D20-53.5<br>Safety pin D20-53.5                       |
| 8     | 1        | 6349.16.01 | Axe D16-56<br>Pin D16-56   |
| 9     | 1        | 6806.34.03 | Ecrou de la vis Tr. 22x5<br>Spindle nut Tr. 22x5                   |
| 10    | 1        | 8163.01.01 | Axe D35x57 mm<br>Pin D35x57 mm                                     |
| 11    | 1        | 8171.48.01 | Cylindre 45/40/96/310 monté<br>Cylinder 45/40/96/310 mounted       |
| 12    | 2        | 931D1655PA | Vis H M16 x 55 ZNBL 8.8<br>Hex. Screw M16 x 55 Zinc 8.8            |
| 13    | 3        | 94D432     | Goupille fendue 4x 32 ISO1234<br>cotter pin 4x 32 ISO1234          |
| 14    | 2        | 980DV16PA  | Ecrou M16 ZNBL 8.8<br>Nut M16 Zinc 8.8                             |

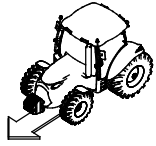
*Hydr. Train denté 7500*

*Hydr. Tine trailer 7500*



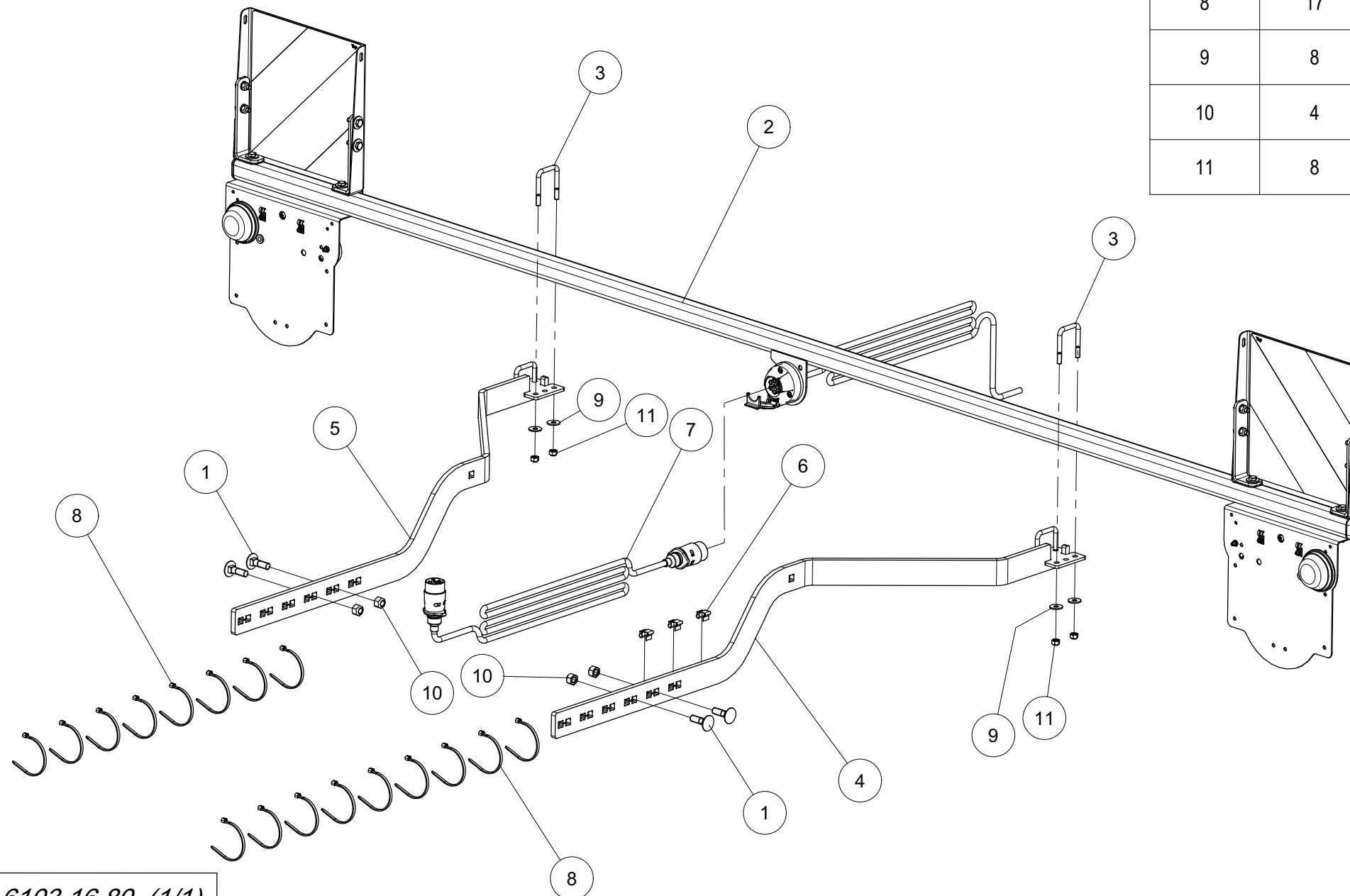
| Index | Quantity | Reference  | Designation  |
|-------|----------|------------|--|
| 1     | 3        | 4723.02.06 | Connexion à vis d'angle D12 L<br>Angle screw connection D12 L                |
| 2     | 4        | 4753.56.03 | Collier de serrage SP 112 A PP-Li cpl.<br>Pipe clamp SP 112 A PP-Li cpl.     |
| 3     | 2        | 4767.12.23 | Tube hydraulique monté 1470 lg.<br>Mounted hydraulic tube 1470 lg.           |
| 4     | 1        | 6436.07.02 | T-Raccord L-12 M18x1,5<br>T-Coupling L-12 M18x1,5                            |
| 5     | 7        | 7406.39.01 | Raccord de réduc. M18x1,5 M14x1,5<br>Male stud coupl. M18x1,5 M14x1,5        |
| 6     | 1        | 8132.01.00 | Connecteur hydraulique HL3 AG M18x1,5<br>Hydraulic connector HL3 AG M18x1,5  |
| 7     | 1        | 8132.05.01 | Cache rouge taille 3<br>Dust cap red size 3                                  |
| 8     | 1        | 8132.06.01 | Etranglement rondelle $\phi$ 1.0<br>Restrictive washer $\phi$ 1.0            |
| 9     | 4        | 8165.32.02 | Bouchon fileté 3/8<br>Hexagon head plug 3/8                                  |
| 10    | 1        | 8172.01.03 | Support avec connexion en T<br>Holder with T-screw connection                |
| 11    | 6        | 8172.08.13 | Raccord L M14x1,5 / G 3/8<br>Male Stud coupling L M14x1,5 / G 3/8            |
| 12    | 1        | 8413.88.01 | Flexible hydr. 2SN DN10 1500<br>Hydraulic hose 2SN DN10 1500                 |
| 13    | 2        | 9001.60.22 | Flexible hydr. DN 6 L1600 A0/A0<br>Hydr. hose DN 6 L1600 A0/A0               |
| 14    | 2        | 9004.17.08 | Raccord coude L-8 M14x1,5<br>Elbow coupling L-8 M14x1,5                      |
| 15    | 4        | 9108.79.01 | Flexible hydr. DN6- L750 A0/A3<br>Hydraulic hose DN6- L750 A0/A3             |
| 16    | 1        | 9109.51.01 | T-Raccord L-8 M14x1,5<br>T-coupling L-8 M14x1,5                              |
| 17    | 1        | 9109.51.02 | Flexible hydr. 1106-K DN 6 L 750 A0/A3<br>Hydr. hose 1106-K DN 6 L 750 A0/A3 |

6253.91.03 (1/1)



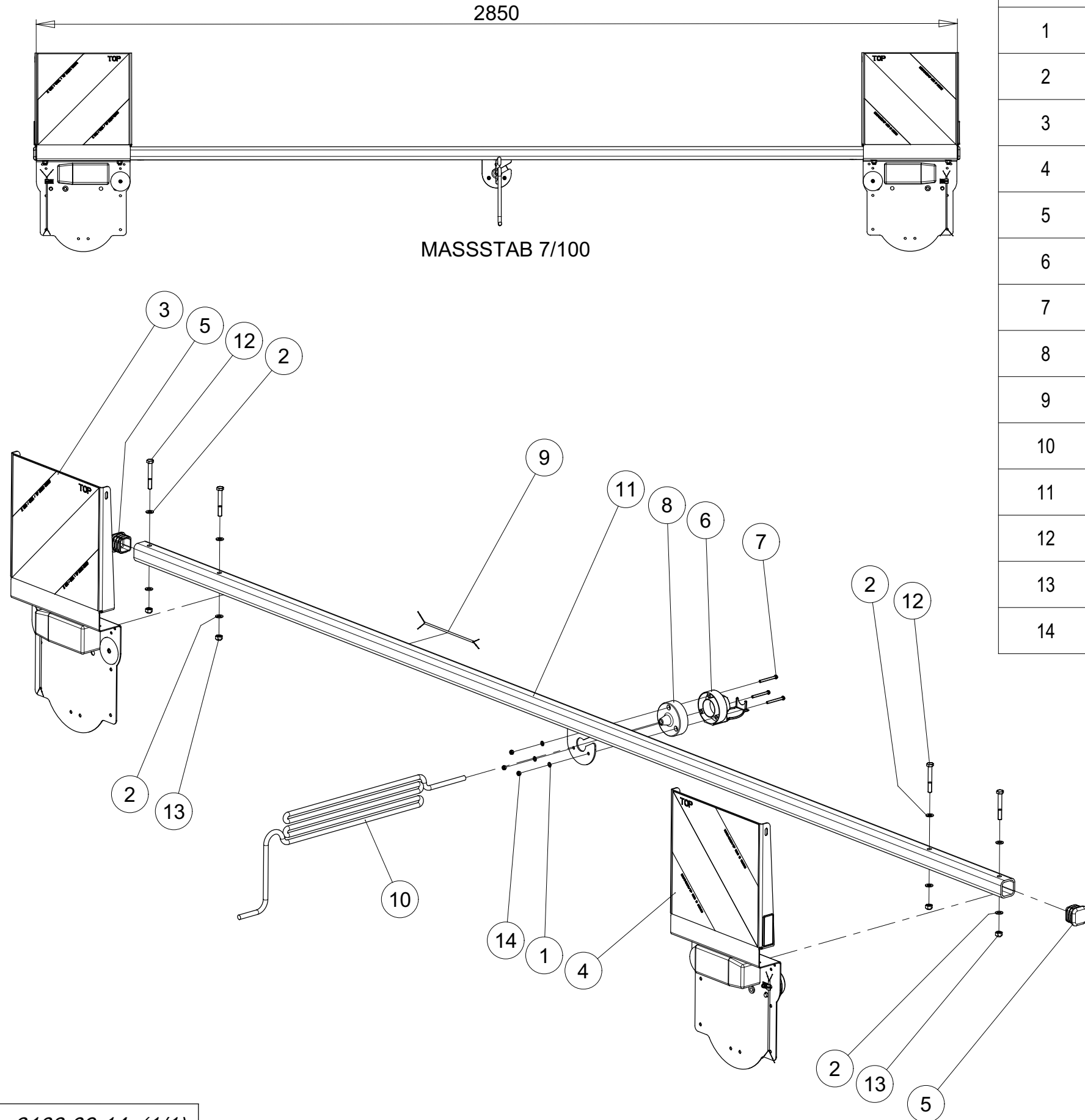
*Éclairage M 3.0 monté*  
*Lighting M 3.0 mounted*

| Index | Quantity | Reference  | Designation   |
|-------|----------|------------|---|
| 1     | 4        | 603D1240PA | Vis TRCC M12x40 ISO8677-8.8 ZNBL<br>Round-head bolt M12x40 ISO8677-8.8 Z      |
| 2     | 1        | 6103.09.14 | Unité d'éclairage monté<br>Mounted lighting unit                              |
| 3     | 4        | 6103.11.28 | Bride MC-8x50x65<br>Cross section MC-8x50x65                                  |
| 4     | 1        | 6103.16.81 | Support gauche, soudé<br>Holder left, welded                                  |
| 5     | 1        | 6103.16.82 | Support droit, soudé<br>Holder right, welded                                  |
| 6     | 3        | 6103.18.03 | Pince de support Type SRV T=8-12 D=6-7<br>Carrier clamp Type SRV T=8-12 D=6-7 |
| 7     | 1        | 6456.50.04 | Entre câble 7,0m 7-broches<br>Between cable 7,0m 7-pins                       |
| 8     | 17       | 9006.70.02 | Attaches de câble 4,8x178 noire<br>Cable ties 4,8x178 black                   |
| 9     | 8        | 9021DA8.4A | Rondelle A 8,4 ISO7093-1 Z<br>Washer A 8,4 ISO7093-1 Z                        |
| 10    | 4        | 980DV12PA  | Ecrou M12 ZNBL 8.8<br>Nut M12 Zinc 8.8  |
| 11    | 8        | 980DV8PA   | Ecrou M8 ZNBL 8.8<br>Nut M8 Zinc 8.8  |



6103.16.80 (1/1)

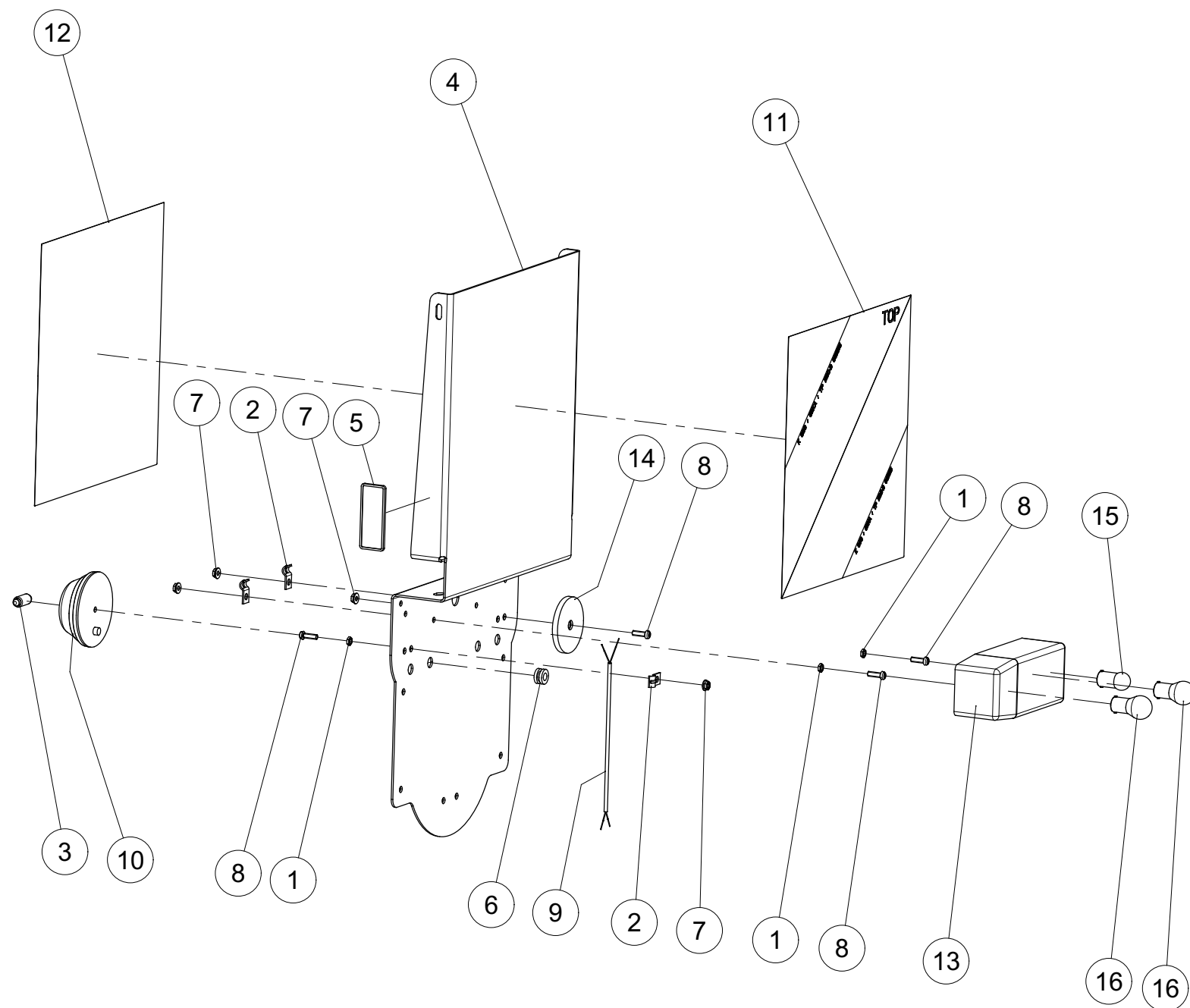
*Unité d'éclairage montée*  
*Mounted lighting unit*



| Index | Quantité | Reference  | Designation   |
|-------|----------|------------|---|
| 1     | 3        | 125DA5.3A  | Rondelle A 5,3 ISO7089 Zinguée<br>Washer A 5,3 ISO7089 Zinc.                                |
| 2     | 8        | 125DA8.4A  | Rondelle A 8,4 ISO7089 Zinguée<br>Washer A 8,4 ISO7089 Zinc.                                |
| 3     | 1        | 6103.16.38 | Panneau d'avertissement monté arrière gauche<br>Warning plate mounted rear left             |
| 4     | 1        | 6103.16.48 | Panneau d'avertissement monté arrière droite<br>Warning plate mounted rear right            |
| 5     | 2        | 6103.90.01 | Embout ailette LQ40x40x1-4<br>Square plastic plugs LQ40x40x1-4                              |
| 6     | 1        | 8416.65.01 | Socket 7 pôle plastique noir<br>7 pole socket Black plastic                                 |
| 7     | 3        | 84D545WA   | Vis M5x45 ISO1207-4.8 Z<br>Screw M5x45 ISO1207-4.8 Z  |
| 8     | 1        | 9004.18.55 | Capuchon de protection pour prise<br>Protective cap for socket                              |
| 9     | 1        | 9012.80.00 | Câble noir 4x0.75 - 2.80 m<br>Cable black 4x0,75 - 2.80 m                                   |
| 10    | 1        | 9012.91.00 | Câble HYSLY-JZ 7x1,5 - 1.50m<br>Cable HYSLY-JZ 7x1,5 -1.50m                                 |
| 11    | 1        | 9037.26.21 | Tube de retenue pour panneau d'avertissement soudé<br>Holding tube for warning plate welded |
| 12    | 4        | 931D860PA  | Vis H M8 x 60 ZNBL 8.8<br>Hex. Screw M8 x 60 Zinc 8.8                                       |
| 13    | 4        | 980DV8PA   | Ecrou M8 ZNBL 8.8<br>Nut M8 Zinc 8.8  |
| 14    | 3        | 985D5PA    | Ecrou HFR M5 ISO10511-8 Z<br>Nut HFR M5 ISO10511-8 Z  |



*Panneau d'avertissement monté arrière gauche*  
*Warning plate mounted rear left*

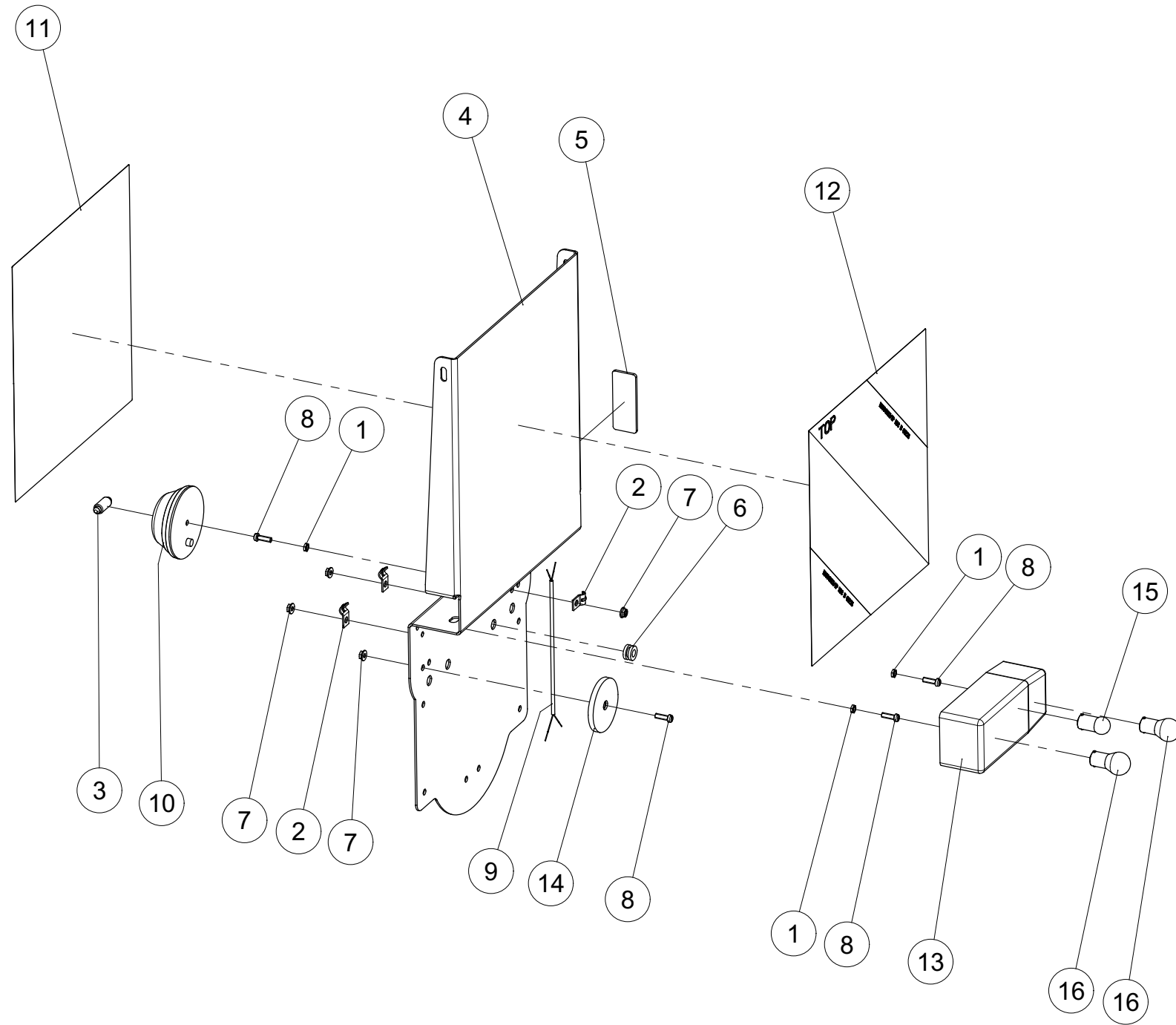


| Index | Quantite | Reference  | Designation  |
|-------|----------|------------|--|
| 1     | 3        | 439DAM5SA  | Ecrou AM5 ISO4035-4 Zingue<br>Nut AM5 ISO4035-4 zinc                                     |
| 2     | 3        | 6103.05.40 | Collier de fixation D7 ZNBL.<br>Mounting clamp D7 vez.                                   |
| 3     | 1        | 6103.09.34 | Ampoule CW5 12V/5W,plinthe SV8, 5-8 court<br>Light bulb C5W 12V/5W,socket SV8, 5-8 short |
| 4     | 1        | 6103.16.03 | Attention plaque de plaque arrière<br>Warning plate sheet behind                         |
| 5     | 1        | 6103.16.05 | Réflecteur jaune<br>Reflector yellow   |
| 6     | 1        | 6103.16.70 | Grommet HV1302 D 15,9 noir<br>Grommet HV1302 D 15,9 black                                |
| 7     | 4        | 6923D5RA   | Ecrou M5 Din6923 Zingue<br>Nut M5 Din 6923 Zingue  |
| 8     | 4        | 84D516WA   | Vis M5x16 ISO1207-4.8 Z<br>Screw M5x16 ISO1207-4.8 Z                                     |
| 9     | 1        | 9012.81.00 | Câble noir 2x0,75mm <sup>2</sup><br>Cable black 2x0,75mm <sup>2</sup>                    |
| 10    | 1        | 9018.27.05 | Marker lumière<br>Marking Light  |
| 11    | 1        | 9032.37.58 | Marquage gauche<br>Marking left  |
| 12    | 1        | 9032.37.59 | Marquage droite<br>Marking right   |
| 13    | 1        | 9037.26.12 | Feu arrière gauche<br>Tail light left  |
| 14    | 1        | 9108.80.01 | Réflecteur rouge<br>Reflector red  |
| 15    | 1        | 9108.80.06 | Ampoule 12V/10W<br>Light bulb 12V/10W  |
| 16    | 2        | 9108.80.07 | Ampoule 12V/21W<br>Light bulb 12V/21W  |





*Panneau d'avertissement monté arrière droite*  
*Warning plate mounted rear right*



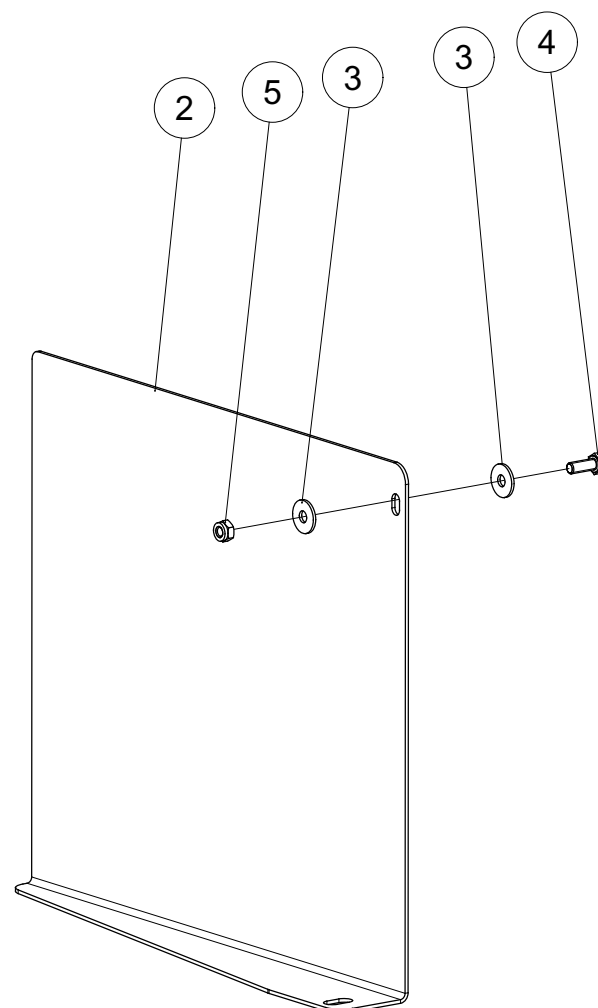
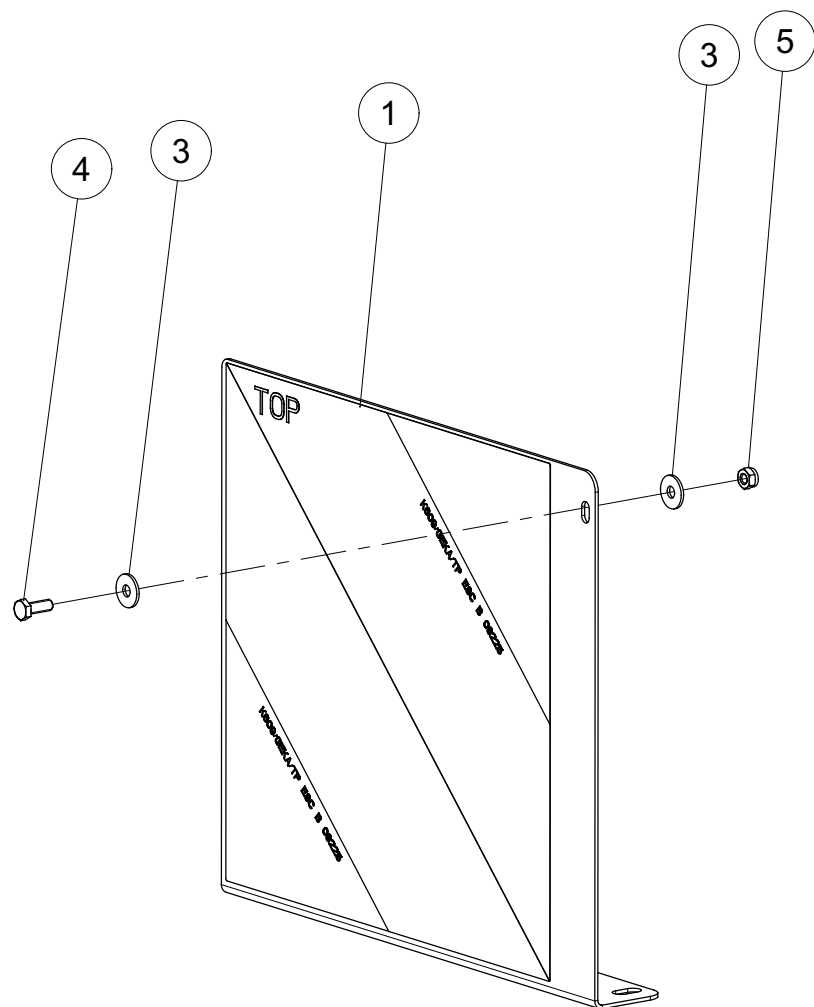
| Index | Quantite | Reference  | Designation  |
|-------|----------|------------|--|
| 1     | 3        | 439DAM5SA  | Ecrou AM5 ISO4035-4 Zingue<br>Nut AM5 ISO4035-4 zinc                                     |
| 2     | 3        | 6103.05.40 | Collier de fixation D7 ZNBL.<br>Mounting clamp D7 vez.                                   |
| 3     | 1        | 6103.09.34 | Ampoule CW5 12V/5W,plinthe SV8, 5-8 court<br>Light bulb C5W 12V/5W,socket SV8, 5-8 short |
| 4     | 1        | 6103.16.03 | Attention plaque de plaque arrière<br>Warning plate sheet behind                         |
| 5     | 1        | 6103.16.05 | Réflecteur jaune<br>Reflector yellow   |
| 6     | 1        | 6103.16.70 | Grommet HV13O2 D 15,9 noir<br>Grommet HV13O2 D 15,9 black                                |
| 7     | 4        | 6923D5RA   | Ecrou M5 Din6923 Zingue<br>Nut M5 Din 6923 Zingue  |
| 8     | 4        | 84D516WA   | Vis M5x16 ISO1207-4.8 Z<br>Screw M5x16 ISO1207-4.8 Z                                     |
| 9     | 1        | 9012.81.00 | Câble noir 2x0,75mm <sup>2</sup><br>Cable black 2x0,75mm <sup>2</sup>                    |
| 10    | 1        | 9018.27.05 | Marker lumière<br>Marking Light  |
| 11    | 1        | 9032.37.58 | Marquage gauche<br>Marking left  |
| 12    | 1        | 9032.37.59 | Marquage droite<br>Marking right   |
| 13    | 1        | 9037.26.13 | Feu arrière droite<br>Tail light right   |
| 14    | 1        | 9108.80.01 | Réflecteur rouge<br>Reflector red  |
| 15    | 1        | 9108.80.06 | Ampoule 12V/10W<br>Light bulb 12V/10W  |
| 16    | 2        | 9108.80.07 | Ampoule 12V/21W<br>Light bulb 12V/21W  |



*Kit Signalisation coté FR*

*Kit lighting FR*

| Index | Quantite | Reference  | Designation  |
|-------|----------|------------|--|
| 1     | 1        | 6103.16.41 | Attention plaque de plaque arriére gauche FR<br>Warning plate rear left FR |
| 2     | 1        | 6103.16.44 | Attention plaque de plaque arriére droit FR<br>Warning plate rear right FR |
| 3     | 4        | 9021DA6.4A | Rondelle A 6,4 ISO7093-1 Z<br>Washer A 6,4 ISO7093-1 Z                     |
| 4     | 2        | 933D616PA  | Vis H M6x16 ISO4017-8.8 ZNBL<br>Hex. Screw M6x16 ISO4017-8.8 Zinc          |
| 5     | 2        | 985D6PA    | Ecrou HFR M6 ISO10511-8 Z<br>Nut HFR M6 ISO10511-8 Z                       |











A series of horizontal dotted lines spanning the width of the page, intended for writing notes.





A l'épreuve du temps

gregoire-besson.com

## GRÉGOIRE-BESSON FRANCE

49230 Montfaucon / Montigné-sur-Moine  
**FRANCE**

☎ (+33) 2 41 64 72 67  
☎ (+33) 2 41 64 67 73  
✉ contactfr@gregoirebesson.fr  
fr.gregoire-besson.com

## GRÉGOIRE-BESSON UK LIMITED

Spalding Road - Bourne - Lincs. PE10 0AU.  
**UNITED KINGDOM**

☎ +441778423787  
☎ +441778394431  
✉ enquiries@gregoire-besson.co.uk  
gregoire-besson.co.uk

## GRÉGOIRE-BESSON GMBH

Am Rabewerk 1 - 49152 Bad Essen  
**DEUTSCHLAND**

☎ (0 54 72) 771 - 0  
☎ (0 54 72) 771 - 195  
✉ contactfr@gregoirebesson.fr  
fr.gregoire-besson.com/de

## GRÉGOIRE-BESSON ITALIA

Via dell'industria, 9-9/A-9/B - Monte Roberto (AN)  
**ITALY**

☎ +39 0731-375970  
☎ +39 0731-375990  
✉ contact@agriway.it  
agriway.it

## GRÉGOIRE-BESSON CANADA INC

4480, Rue Martineau - St Hyacinthe (P. Québec) - J2R 1V1  
**CANADA**

☎ (1) 450 799 56 15  
☎ (1) 450 799 56 29  
✉ info@gregoirebesson.ca  
ca.gregoire-besson.com

## GRÉGOIRE-BESSON POLSKA Sp.zo.o.

Kowanówko | ul. Obornicka 1a - 64-600 Oborniki  
**POLSKA**

☎ 61 297 75 30  
☎ 61 297 22 62  
✉ gbesson@poczta.onet.pl  
pl.gregoire-besson.com

## ООО «ГРЕГУАР-БЕССОН ВОСТОК»

308006, г.Белгород, ул. Корочанская 132 А,  
**RUSSIA**

☎ +7 (4722) 402-210  
☎ +7 (4722) 402-210  
✉ info@gbvostok.ru  
ru.gregoire-besson.com

## ТОВ «ГРЕГУАР-БЕССОН УКРАЇНА»

18028, Україна, Черкаська обл., м. Черкаси, вул. Рози Люксембург, буд. 202.  
**UKRAINE**

☎ + 38 (0472) 71-28-23  
☎ + 38 (0472) 71-28-23  
✉ gregoirebesson.ua@yandex.ua  
ru.gregoire-besson.com

## GRÉGOIRE-BESSON CHINA

法国格力格尔-贝松公司 北京代表处 | 100025北京市朝阳区延静里中街3号长信大厦220室  
**CHINA**

☎ 0086-10-65 08 06 40  
☎ 0086-10-65 08 06 41  
✉ gregoirebessonchina@126.com  
cn.gregoire-besson.com