

# CATALOGUE PIECES DE RECHANGE SPARE PARTS CATALOG

FR  
EN

|  |  |  |  |  |  |  |  |
|--|--|--|--|--|--|--|--|
|  |  |  |  |  |  |  |  |
|--|--|--|--|--|--|--|--|

Machine number

|   |   |   |   |   |   |   |
|---|---|---|---|---|---|---|
| 1 | 2 | / | 2 | 0 | 1 | 8 |
|---|---|---|---|---|---|---|

Version

# Sturmvogel 4501 L-LS

## Series 1



**RABE**



## Important pour la commande de pièces de rechange

Lors de chaque commande de pièces, veuillez nous communiquer les données suivantes:

1. Type de la machine (gravé sur la plaque d'identification).
2. Numéro de série de la machine (gravé sur la Plaque d'identification et le bâti).
3. Numéro de pièce.
4. La quantité nécessaire de pièces de rechange.

## Important for ordering spare parts

Please give the following information whenever you order spare parts:

1. Type of the machine (stamped on type plate)
2. Serial number (stamped on type plate and frame)
3. Part number.
4. The required quantity of the spare parts.

### Plaquette / Identification plate







## Sommaire

|   |    |
|---|----|
| Sturmvogel 4501 L Br.1 complet.....                   | 9  |
| Plaque de guidage montée .....                        | 11 |
| Limite d'oscillation montée .....                     | 12 |
| Masse latérale 4,50m .....                            | 13 |
| Sturmvogel 4501 LS Br.1 complet .....                 | 14 |
| Support de parking soudé .....                        | 16 |
| Cadre pré-assemblé 4501 L(S) Série 1 .....            | 17 |
| Hydraulique Série 1 complète .....                    | 18 |
| Broches d'attelage Cat. 3.....                        | 19 |
| Kit de support pour quick coupler .....               | 20 |
| Porte-outils L complet monté .....                    | 21 |
| Porte-outils LS complet monté .....                   | 22 |
| Dent-élément de herse VEG-18 complet .....            | 23 |
| Dent VEG-18 complet .....                             | 24 |
| Dent-élément de herse complet.....                    | 25 |
| Dent debout raide 32x10 complet.....                  | 26 |
| Jeu de dents renforcés, élément de herse complet..... | 27 |
| Dents VEG-16 complet .....                            | 28 |
| Vibra dent renforcées complet .....                   | 29 |
| Vibra dent avec Soc monté .....                       | 30 |
| Element dents droites renforcées complet.....         | 31 |
| Dent 32x12 avec soc complet.....                      | 32 |
| Rouleau denté pointu Tandem TillXtrem .....           | 33 |
| Kit rouleau denté pointu D270 TillXtrem .....         | 34 |
| Kit rouleau denté pointu D330 TillXtrem .....         | 35 |
| Rouleau denté pointu Re-Lube .....                    | 36 |
| Kit Rouleau denté pointu D270 Re-Lube .....           | 37 |
| Kit Rouleau denté pointu D330 Re-Lube .....           | 38 |
| Set de couverture 6-kt. 270/190.....                  | 39 |
| Set de couverture en acier 6-kt. 330/250.....         | 40 |
| Rouleau Crosskill 1.5m complet monté .....            | 41 |
| Rouleau Crosskill 1.5m 10 roues monté .....           | 42 |
| Rouleau Crosskill plat 1.5m complet monté.....        | 43 |
| Rouleau Crosskill plat 1.5m 10 roues monté .....      | 44 |
| Support de stationnement arrière complet.....         | 45 |
| Herse L 2 chaîne monté.....                           | 46 |
| Herse LS 2 chaîne monté .....                         | 47 |
| Herse pré-monté .....                                 | 48 |
| Frontiér herse D7 .....                               | 49 |
| Station de stationnement montée .....                 | 50 |
| Élargi à gauche .....                                 | 51 |

|  |    |
|--|----|
| Élargi à droite .....                                      | 52 |
| Efface traces titulaire monté.....                         | 53 |
| Support pour efface-traces monté.....                      | 54 |
| Fixation monté .....                                       | 55 |
| Efface-trace titulaire 0.65m complet.....                  | 56 |
| Approach cadré 4501 série 1 .....                          | 57 |
| Effaceur de trace 80 tuyaux complet.....                   | 58 |
| Effaceur de trace à ressort 80 tuyaux complet.....         | 59 |
| Efface traces GG-5 cpl. ....                               | 60 |
| Efface traces GS-035 cpl. ....                             | 61 |
| Efface traces GG-011 cpl. ....                             | 62 |
| Efface traces à ressort GG-5 cpl. ....                     | 63 |
| Efface traces à ressort GS-035 cpl. ....                   | 64 |
| Efface traces à ressort GG-11 cpl. ....                    | 65 |
| Train denté 4501 L(S) cpl.....                             | 66 |
| Train denté section médiane cpl. ....                      | 67 |
| Train denté droit cpl.....                                 | 68 |
| Train denté gauche cpl.....                                | 69 |
| Ensemble de ressort gauche série 1 cpl. ....               | 70 |
| Ensemble de ressort gauche série 2 cpl. ....               | 72 |
| Train denté hydraulique 4501 L(S) cpl. ....                | 74 |
| Train denté hydraulique section médiane version 1 cpl..... | 75 |
| Train denté hydraulique droit cpl. ....                    | 76 |
| Train denté hydraulique gauche cpl. ....                   | 77 |
| Ensemble de ressort série 4 cpl. ....                      | 78 |
| Ensemble de ressort série 5 cpl. ....                      | 80 |
| Hydraulique Train denté 4500 .....                         | 82 |
| Éclairage.....   | 83 |

## Table of contents

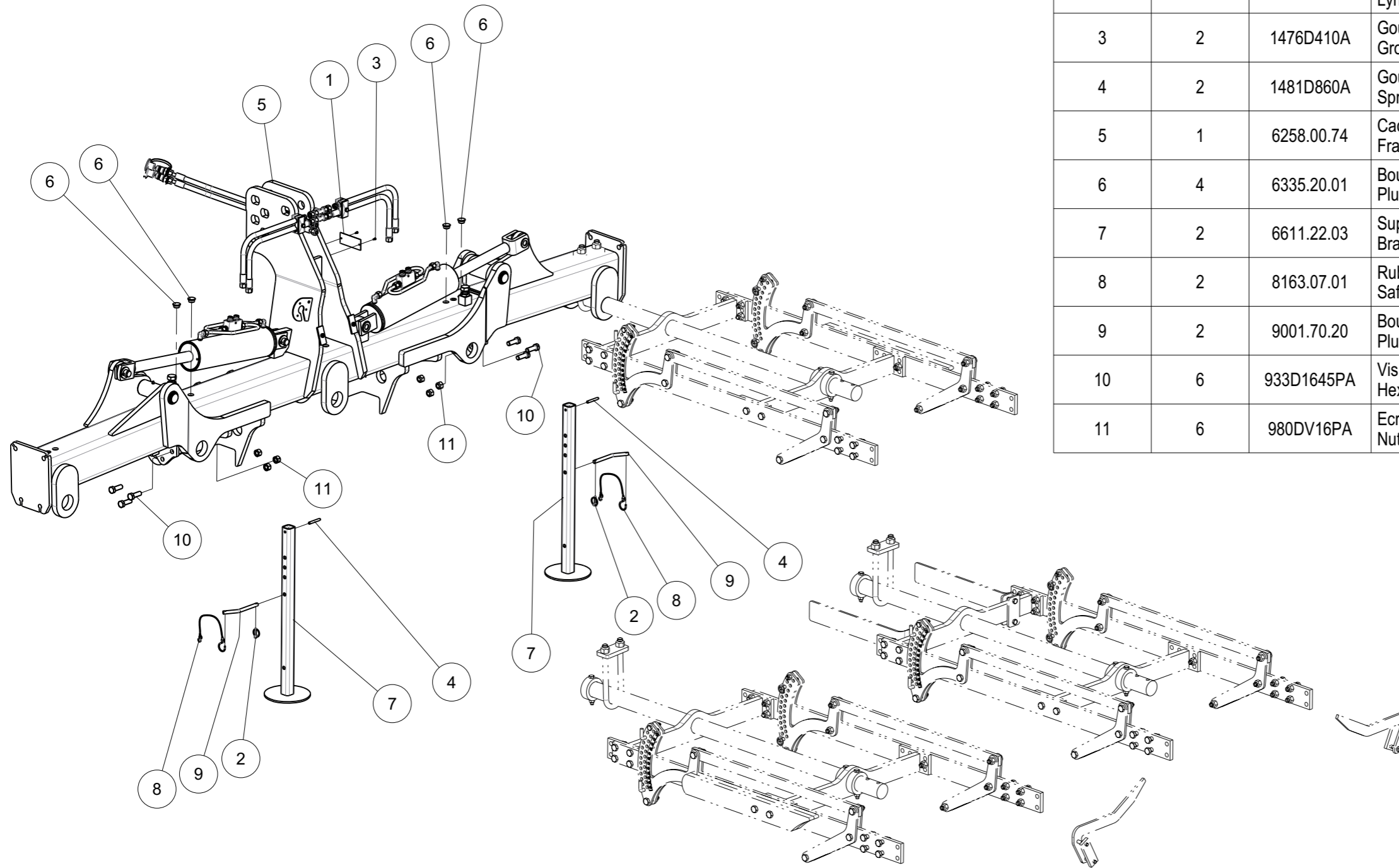
|   |    |
|---|----|
| Sturmvogel 4501 L Series 1 complete .....         | 9  |
| Guide plate mounted .....                         | 11 |
| Oscillation limitation mounted .....              | 12 |
| Lateral Weight 4,50m .....                        | 13 |
| Sturmvogel 4501 LS Series 1 complete .....        | 14 |
| Parking supports welded holder .....              | 16 |
| Frame pre-assembled 4501 L(S) Series 1 .....      | 17 |
| Hydraulic Series 1 complete .....                 | 18 |
| 3-Point headstock Cat.3 complete .....            | 19 |
| Support kit for quick coupler .....               | 20 |
| Tool carrier L complete .....                     | 21 |
| Tool carrier LS complete .....                    | 22 |
| Gare harrowing tine field VEG-18 complete .....   | 23 |
| S-tine VEG-18 complete .....                      | 24 |
| Gare harrowing tine field complete .....          | 25 |
| Tine steep standing 32x10 complete .....          | 26 |
| Double spring tine, harrow section complete ..... | 27 |
| Tines VEG-16 mounted .....                        | 28 |
| Vibra tine reinforced complete .....              | 29 |
| Vibra tine with share mounted .....               | 30 |
| Element reinforced straight tines complete .....  | 31 |
| Vibra tine 32x12 with share complete .....        | 32 |
| Pointed toothed roller Tandem TillXtrem .....     | 33 |
| Kit Pointed toothed roller D270 TillXtrem .....   | 34 |
| Kit Pointed toothed roller D330 TillXtrem .....   | 35 |
| Pointed toothed roller Re-Lube .....              | 36 |
| Kit Pointed toothed roller D270 Re-Lube .....     | 37 |
| Kit Pointed toothed roller D330 Re-Lube .....     | 38 |
| Set Cover Steel 6-kt. 270/190 .....               | 39 |
| Set Cover Steel 6-kt. 330/250 .....               | 40 |
| Crosskill roller 1.5m complete .....              | 41 |
| Crosskill roller 10 wheels mounted .....          | 42 |
| Nockering roller 1.5m complete .....              | 43 |
| Nockering roller 10 wheels mounted .....          | 44 |
| Rear parking support complete .....               | 45 |
| Harrow L 2-rows mounted .....                     | 46 |
| Harrow LS 2-rows mounted .....                    | 47 |
| Harrow pre-assembled .....                        | 48 |
| Tine harrow border D7 complete .....              | 49 |
| Parking station mounted – harrow .....            | 50 |
| Widened to the left mounted .....                 | 51 |

|  |    |
|--|----|
| Widened to the right mounted .....                         | 52 |
| Track eradicator holder mounted .....                      | 53 |
| Support holder mounted .....                               | 54 |
| Attachment mounted complete .....                          | 55 |
| Track eradicator holder 0,65m complete .....               | 56 |
| Frame approach 4501 series 1 .....                         | 57 |
| Track eradicator 80 pipe complete .....                    | 58 |
| Track eradicator spring-suspended 80 pipe complete .....   | 59 |
| Track eradicator GG-5 complete .....                       | 60 |
| Track eradicator GS-035 complete .....                     | 61 |
| Track eradicator GG-011 complete .....                     | 62 |
| Track eradicator spring mounted GG-5 complete .....        | 63 |
| Track eradicator spring mounted GS-035 complete .....      | 64 |
| Track eradicator spring mounted GG-011 complete .....      | 65 |
| Tine trailer 4501 L(S) complete .....                      | 66 |
| Tine trailer midsection complete .....                     | 67 |
| Tine trailer right complete .....                          | 68 |
| Tine trailer left complete .....                           | 69 |
| Spring assembly left series 1 complete .....               | 70 |
| Spring assembly left series 2 complete .....               | 72 |
| Tine trailer hydraulic 4501 L(S) complete .....            | 74 |
| Tine trailer hydraulic midsection version 1 complete ..... | 75 |
| Tine trailer hydraulic right complete .....                | 76 |
| Tine trailer hydraulic left complete .....                 | 77 |
| Spring assemble series 4 complete .....                    | 78 |
| Spring assemble series 5 complete .....                    | 80 |
| Hydraulic tine trailer 4500 .....                          | 82 |
| Lighting .....   | 83 |



*4501 L Série 1 cpl.*

*4501 L Series 1 cpl.*

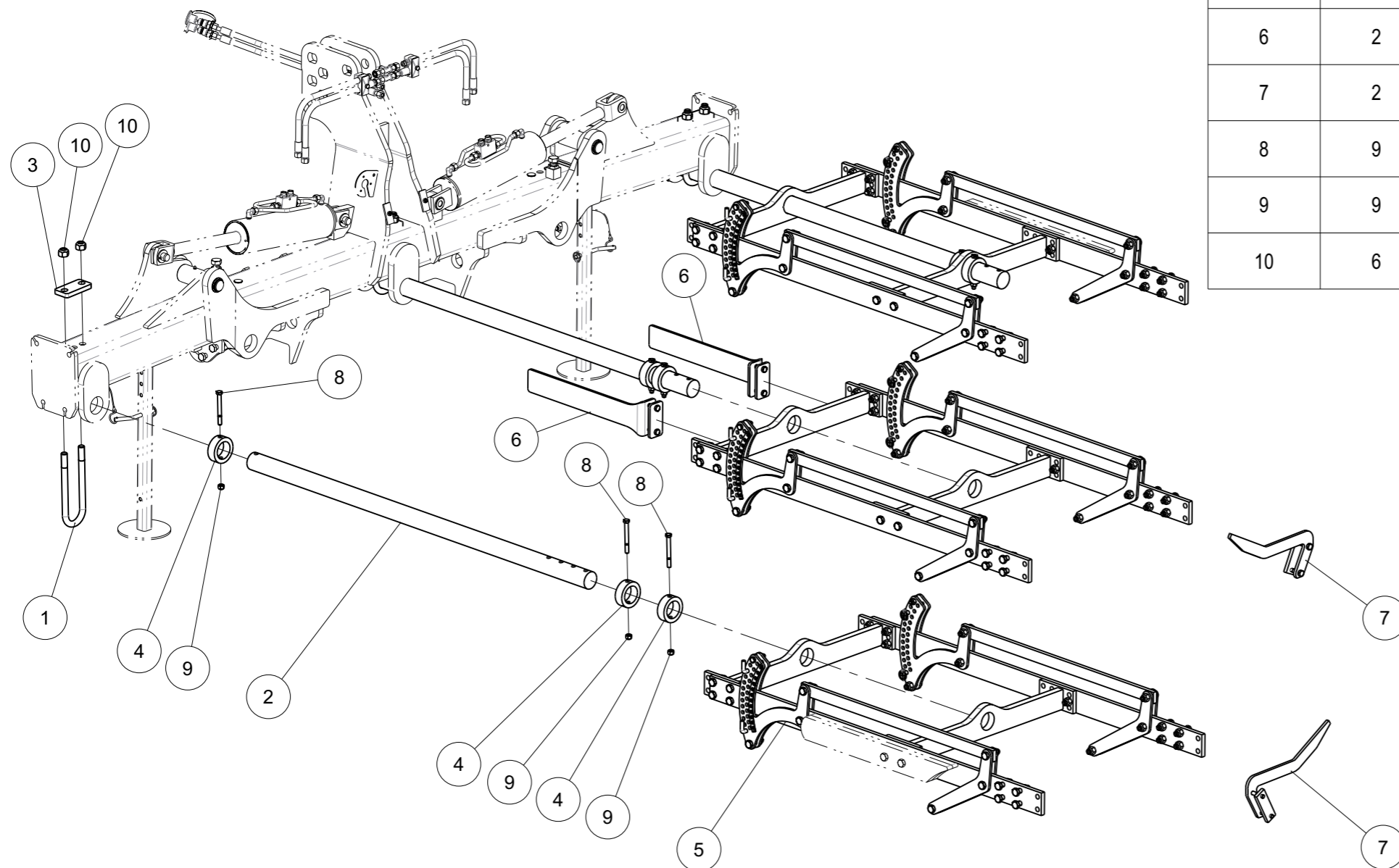


| Index | Quantity | Reference  | Designation  |
|-------|----------|------------|--|
| 1     | 1        | 1000.99.04 | Plaque CE<br>Identification plate CE   |
| 2     | 2        | 11023D532A | Goupille "Clips" Dia 5 Z<br>Lynch pin Dia5                                     |
| 3     | 2        | 1476D410A  | Goupille cannelée 4x10 DIN 1476 Z<br>Grooved pin 4x10 DIN 1476 Z               |
| 4     | 2        | 1481D860A  | Goupille elastique 8 X 60 ISO8752 Z<br>Spring Pin 8 X 60 ISO8752 Z             |
| 5     | 1        | 6258.00.74 | Cadre pré-assemblé 4501 L(S) Série 1<br>Frame pre-assembled 4501 L(S) Series 1 |
| 6     | 4        | 6335.20.01 | Bouchon (D22.4)<br>Plug (D22.4)  |
| 7     | 2        | 6611.22.03 | Support soudé<br>Bracket welded  |
| 8     | 2        | 8163.07.01 | Ruban de sécurité avec crochet<br>Safety tape with hook                        |
| 9     | 2        | 9001.70.20 | Boulon D12<br>Plug bolt D12  |
| 10    | 6        | 933D1645PA | Vis H M16x45 ISO4017-8.8 ZNBL<br>Hex. Screw M16x45 ISO4017-8.8 Zinc            |
| 11    | 6        | 980DV16PA  | Ecrou M16 ZNBL 8.8<br>Nut M16 Zinc 8.8   |



4501 L Série 1 cpl.

4501 L Series 1 cpl.

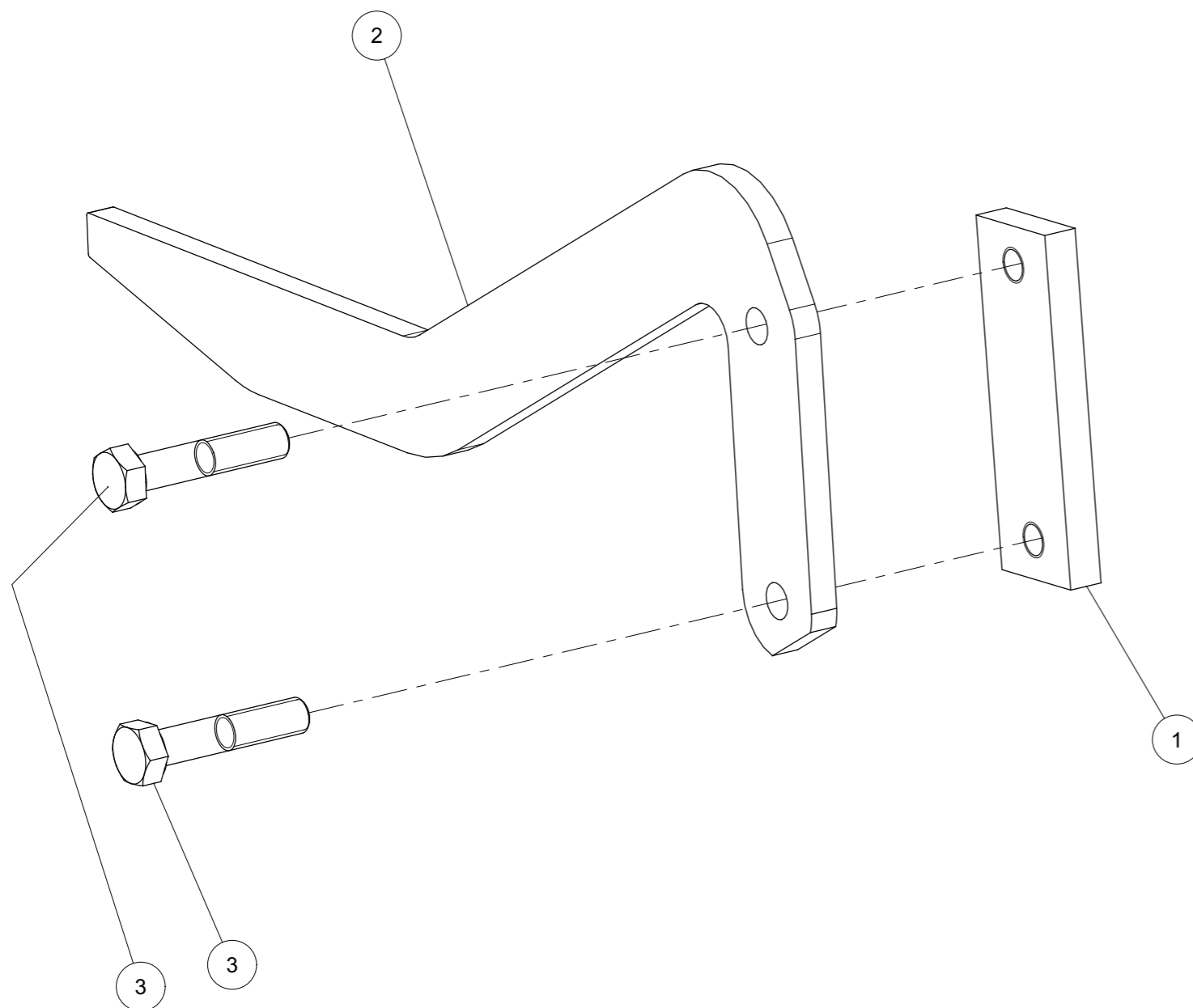


| Index | Quantity | Reference   | Designation   |
|-------|----------|-------------|---|
| 1     | 3        | 6253.12.05  | Bride MC-20x82x225 verz.<br>Cross section MC-20x82x225 verz.  |
| 2     | 3        | 6258.00.01  | Axe ø60 court<br>Axle ø60 short                               |
| 3     | 3        | 6258.00.03  | Plate de fixation D22-82<br>Fixing plate D22-82               |
| 4     | 9        | 6258.00.07  | Rondelle large<br>Limiter                                     |
| 5     | 3        | 6258.02.01  | Porte-outils L cpl.<br>Tool carrier L cpl.                    |
| 6     | 2        | 6258.07.01  | Limite d'oscillation montée<br>Oscillation limitation mounted |
| 7     | 2        | 6812.28.26  | Plaque de guidage montée<br>Guide plate mounted               |
| 8     | 9        | 931D12110NA | Vis H M12 x 110 ZNBL 10.9<br>Hex. Screw M12 x 110 Zinc 10.9   |
| 9     | 9        | 980DV12NA   | Ecrou M12 ZNBL 10.9<br>Nut M12 Zinc 10.9                      |
| 10    | 6        | 980DV20PA   | Ecrou M20 ZNBL 8.8<br>Nut M20 Zinc 8.8                        |



*Plaque de guidage montée*  
*Guide plate mounted*

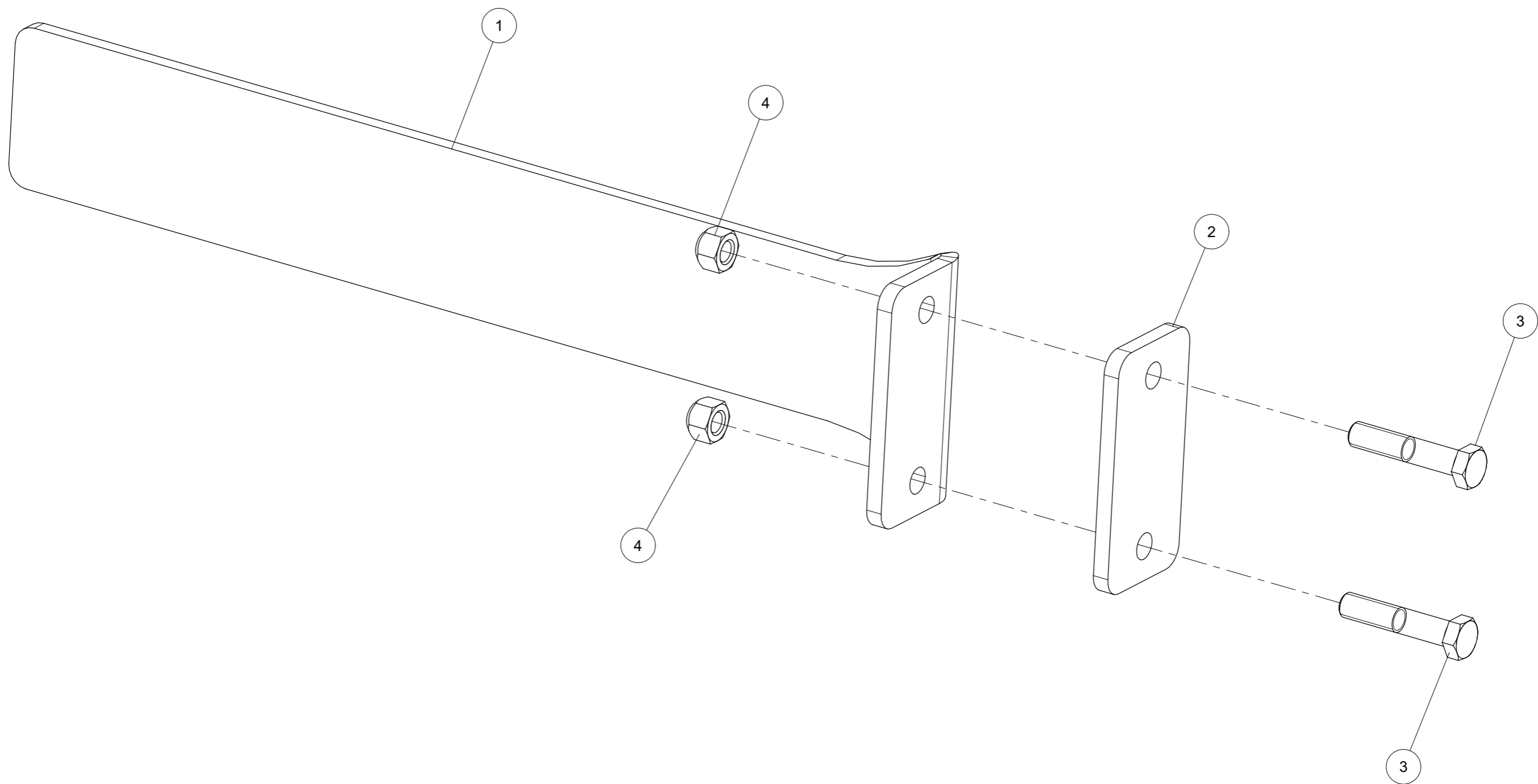
| Index | Quantity | Reference  | Designation  |
|-------|----------|------------|--|
| 1     | 1        | 6241.94.02 | Plat de fixation M 12-93<br>Latch M 12-93              |
| 2     | 1        | 6812.28.24 | Plaque de guidage<br>Guide plate                       |
| 3     | 2        | VI 29 13   | Vis H M12x 60 - 8.8 ZNBL<br>Screw H M12x 60 - 8.8 ZNBL |





*Limite d'oscillation montée*  
*Oscillation limitation mounted*

| Index | Quantity | Reference  | Designation   |
|-------|----------|------------|---|
| 1     | 1        | 6258.07.02 | Limite d'oscillation<br>Oscillation limitation          |
| 2     | 1        | 6465.58.11 | Patte de retenue D13 - 85<br>Retaining tab D13 - 85     |
| 3     | 2        | 931D1260PA | Vis H M12 x 60 ZNBL 8.8<br>Hex. Screw M12 x 60 Zinc 8.8 |
| 4     | 2        | 980DV12PA  | Ecrou M12 ZNBL 8.8<br>Nut M12 Zinc 8.8                  |

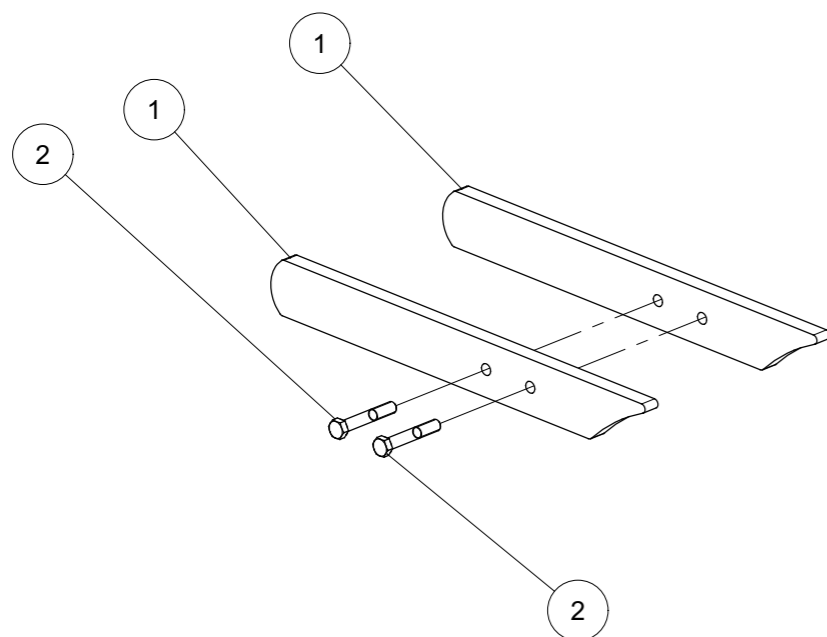
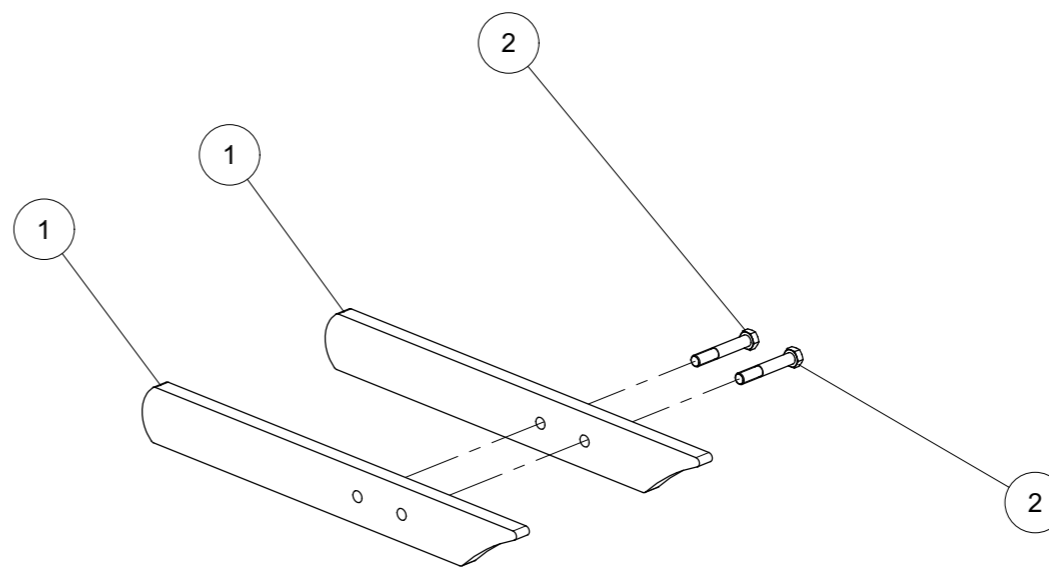






*Masse latérale 4,50m*  
*Lateral Weight 4,50m*

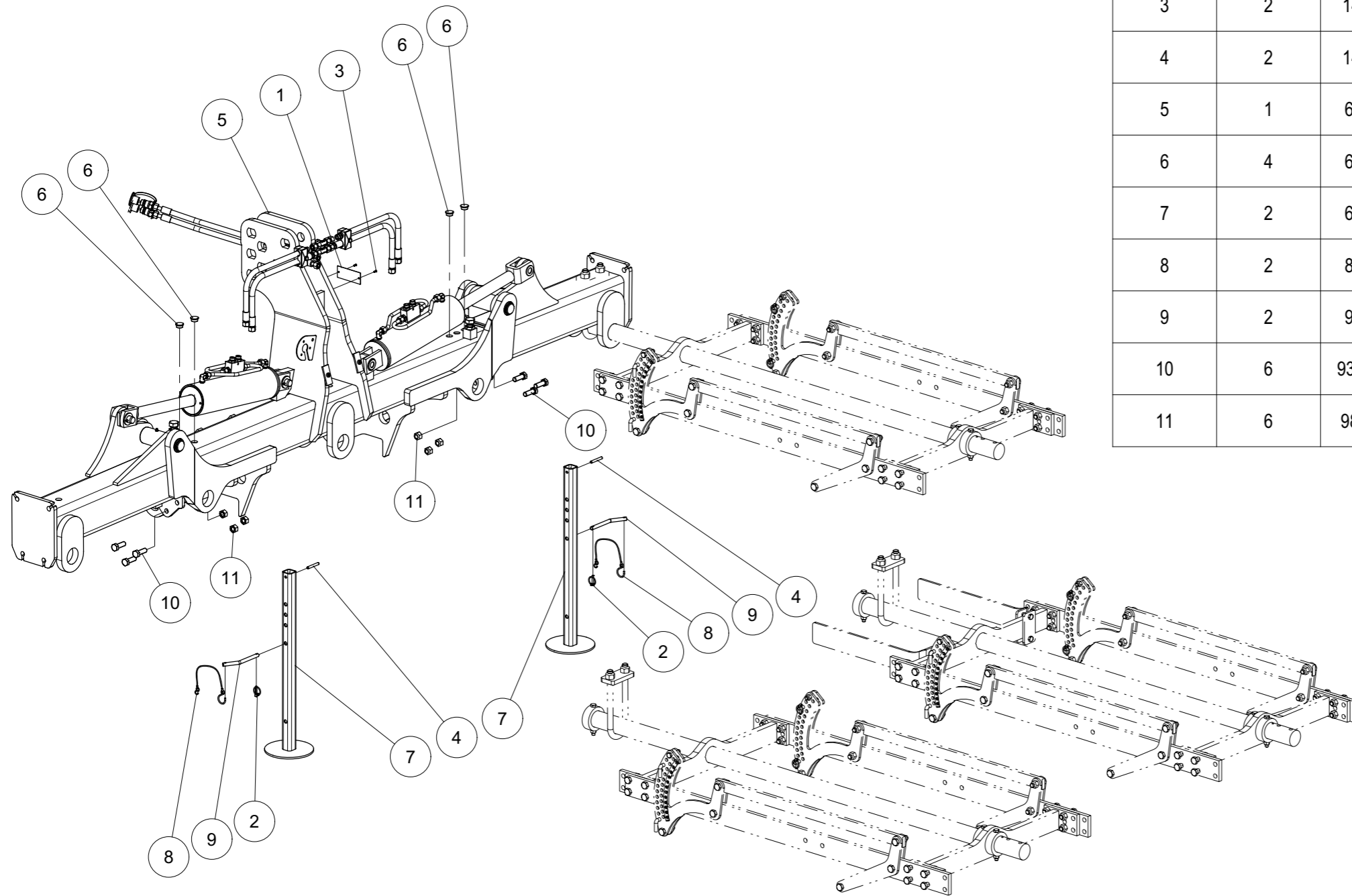
| Index | Quantity | Reference  | Designation  |
|-------|----------|------------|--|
| 1     | 4        | 6258.02.12 | Masse latérale<br>Lateral weight                       |
| 2     | 4        | VI 31 15   | Vis H M16x100 - 8.8 ZNBL<br>Screw H M16x100 - 8.8 ZNBL |





*4501 LS Série 1 cpl.*

*4501 LS Series 1 cpl.*



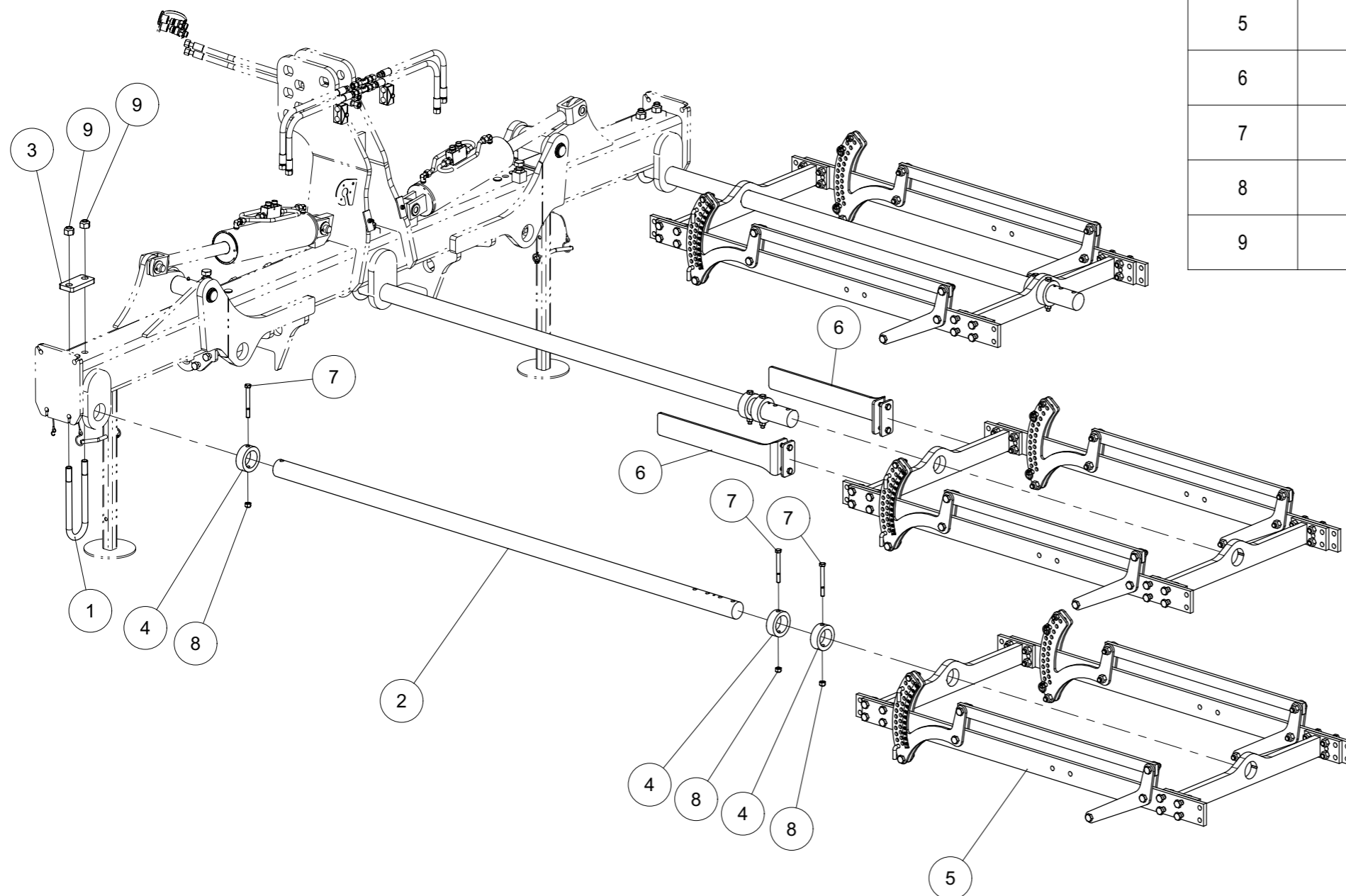
| Index | Quantity | Reference  | Designation  |
|-------|----------|------------|--|
| 1     | 1        | 1000.99.04 | Plaque CE<br>Identification plate CE   |
| 2     | 2        | 11023D532A | Goupille "Clips" Dia 5 Z<br>Lynch pin Dia5                                     |
| 3     | 2        | 1476D410A  | Goupille cannelée 4x10 DIN 1476 Z<br>Grooved pin 4x10 DIN 1476 Z               |
| 4     | 2        | 1481D860A  | Goupille elastique 8 X 60 ISO8752 Z<br>Spring Pin 8 X 60 ISO8752 Z             |
| 5     | 1        | 6258.00.74 | Cadre pré-assemblé 4501 L(S) Série 1<br>Frame pre-assembled 4501 L(S) Series 1 |
| 6     | 4        | 6335.20.01 | Bouchon (D22.4)<br>Plug (D22.4)  |
| 7     | 2        | 6611.22.03 | Support soudé<br>Bracket welded  |
| 8     | 2        | 8163.07.01 | Ruban de sécurité avec crochet<br>Safety tape with hook                        |
| 9     | 2        | 9001.70.20 | Boulon D12<br>Plug bolt D12  |
| 10    | 6        | 933D1645PA | Vis H M16x45 ISO4017-8.8 ZNBL<br>Hex. Screw M16x45 ISO4017-8.8 Zinc            |
| 11    | 6        | 980DV16PA  | Ecrou M16 ZNBL 8.8<br>Nut M16 Zinc 8.8   |



4501 LS Série 1 cpl.

4501 LS Series 1 cpl.

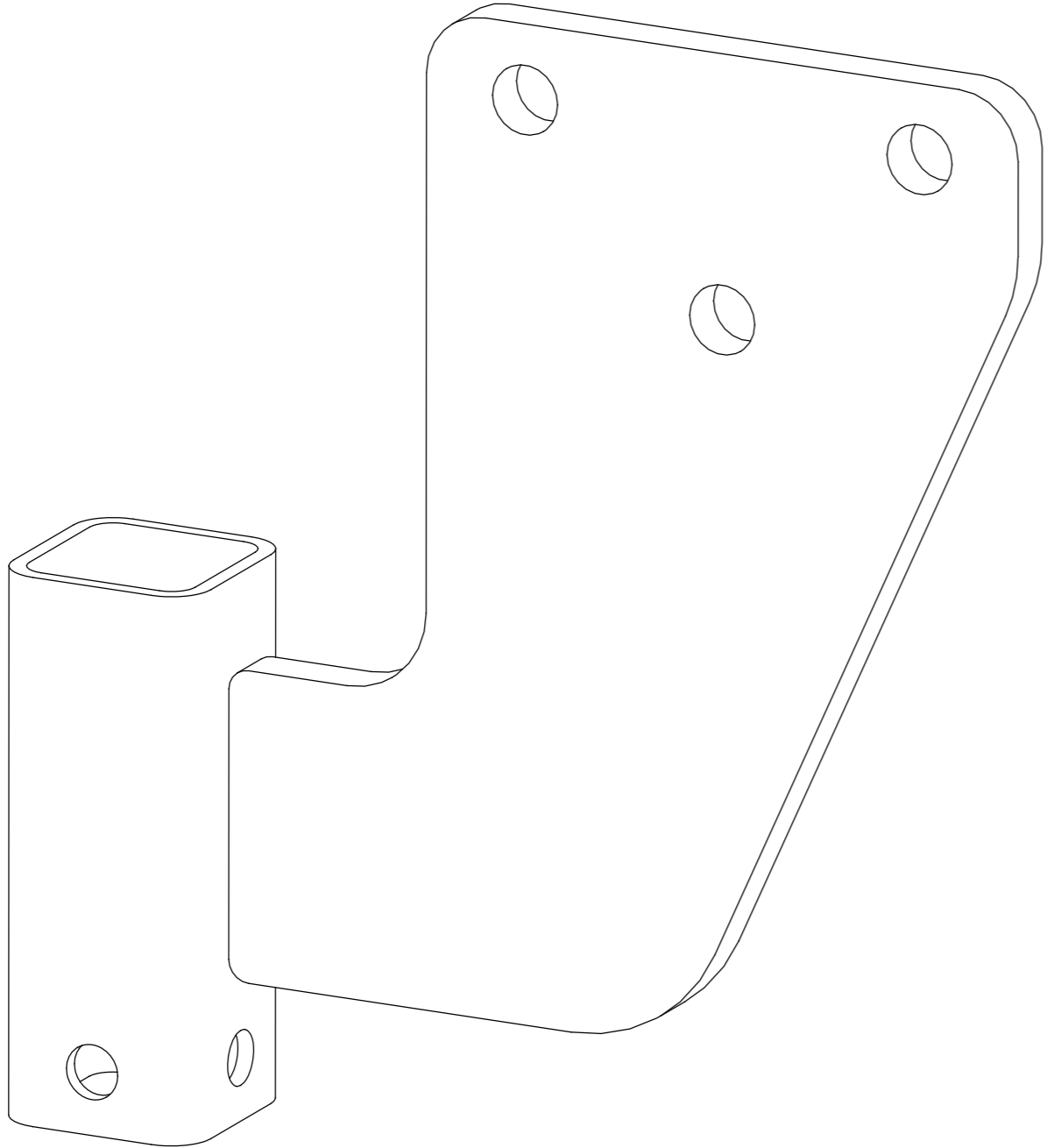
| Index | Quantity | Reference   | Designation   |
|-------|----------|-------------|---|
| 1     | 3        | 6253.12.05  | Bride MC-20x82x225 verz.<br>Cross section MC-20x82x225 verz.  |
| 2     | 3        | 6258.00.02  | Axe Ø60<br>Axle Ø60   |
| 3     | 3        | 6258.00.03  | Plate de fixation D22-82<br>Fixing plate D22-82               |
| 4     | 9        | 6258.00.07  | Rondelle large<br>Limiter                                     |
| 5     | 3        | 6258.02.50  | Porte-outils cpl.<br>Tool carrier LS cpl.                     |
| 6     | 2        | 6258.07.01  | Limite d'oscillation montée<br>Oscillation limitation mounted |
| 7     | 9        | 931D12110NA | Vis H M12 x 110 ZNBL 10.9<br>Hex. Screw M12 x 110 Zinc 10.9   |
| 8     | 9        | 980DV12NA   | Ecrou M12 ZNBL 10.9<br>Nut M12 Zinc 10.9                      |
| 9     | 6        | 980DV20PA   | Ecrou M20 ZNBL 8.8<br>Nut M20 Zinc 8.8                        |





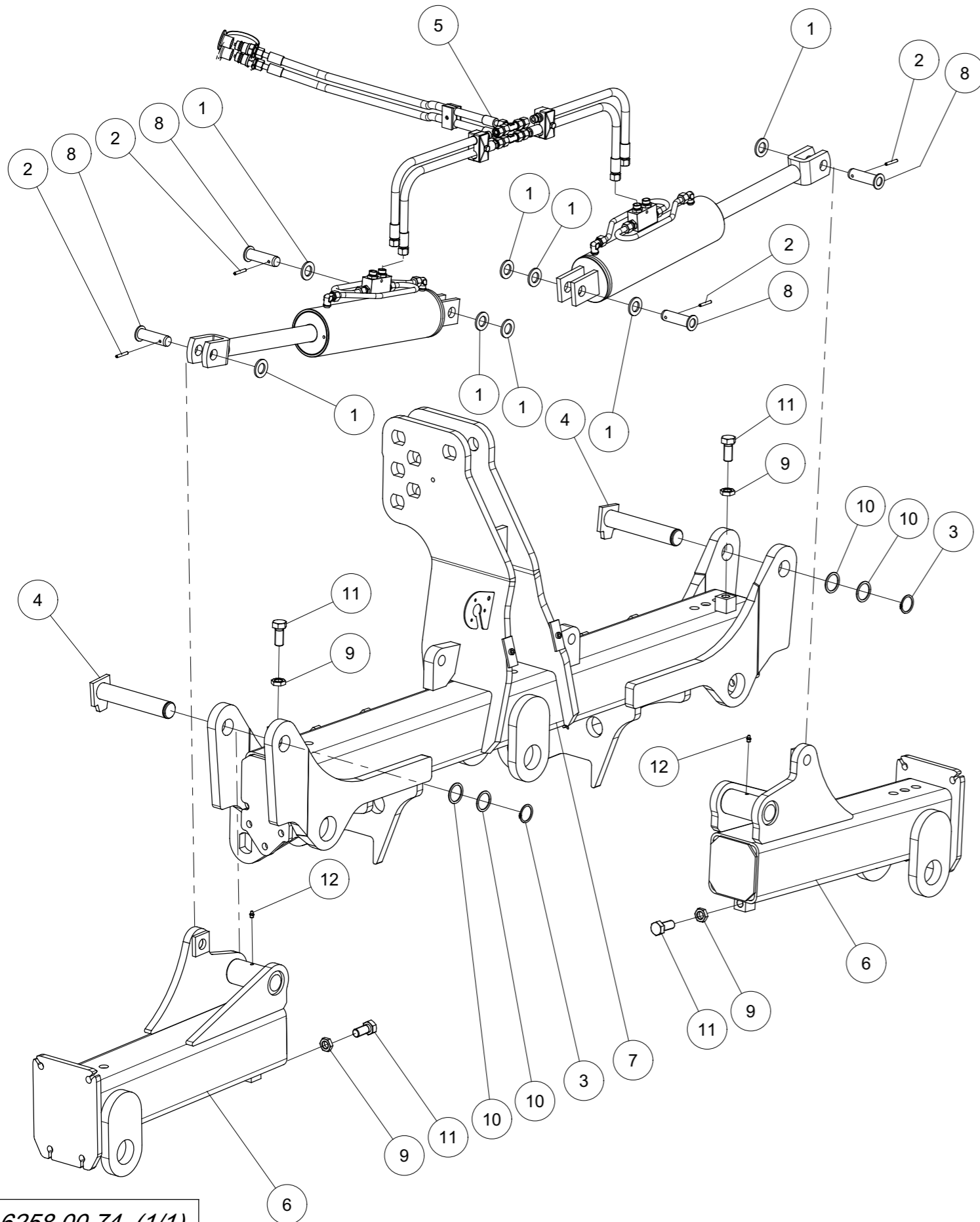
*Support de parking soudé*  
*Parking supports welded holder*

| <i>Index</i> | <i>Level</i> | <i>Quantity</i> | <i>Reference</i> | <i>Designation</i>   |
|--------------|--------------|-----------------|------------------|--|
| 1            | 1            | 1               | 6258.06.01       | Support de parking soudé<br>Parking supports welded holder |





*Cadre pré-assemblé 4501 L(S) Série 1*  
*Frame pre-assembled 4501 L(S) Series 1*



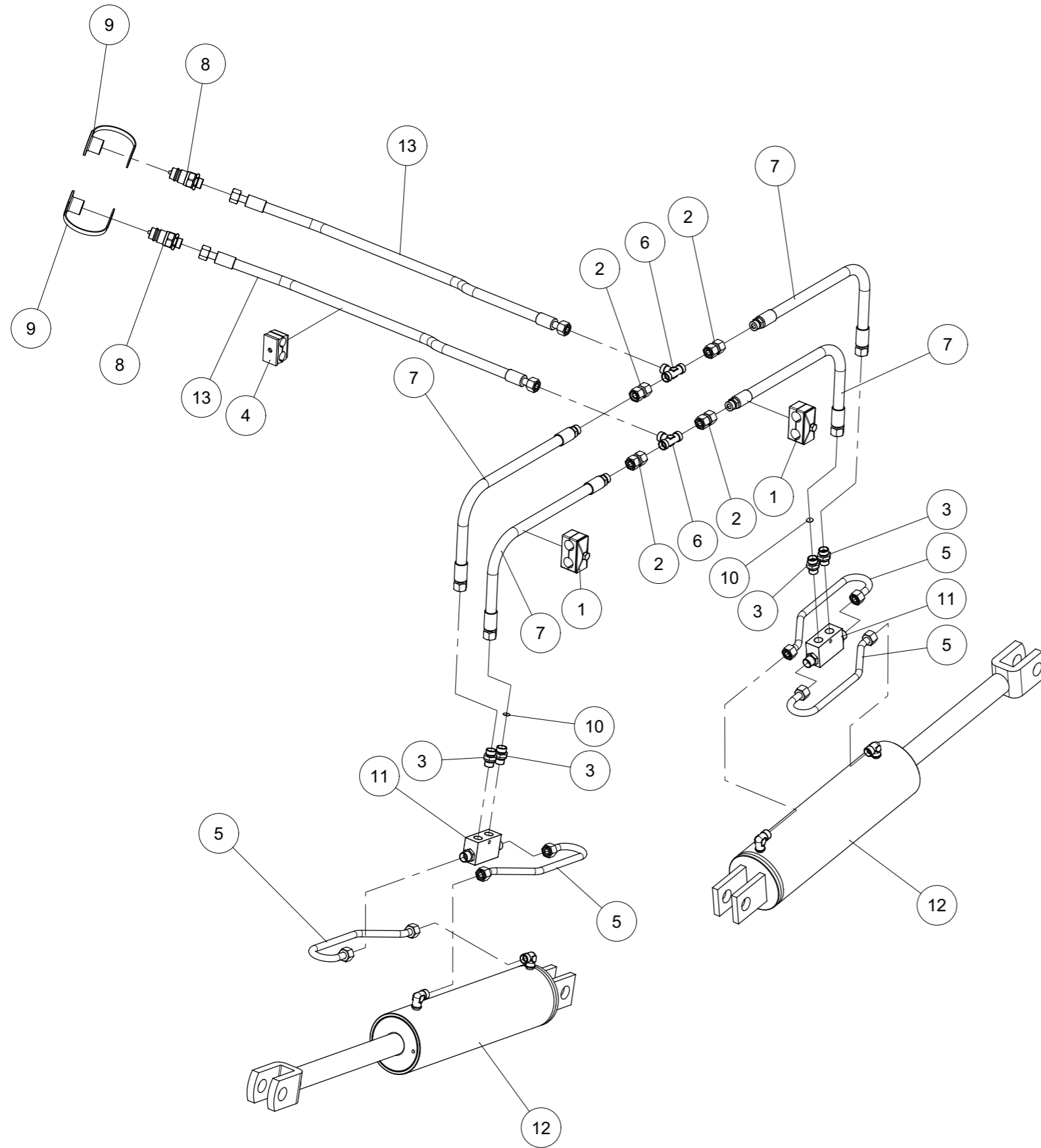
| Index | Quantity | Reference  | Designation   |
|-------|----------|------------|---|
| 1     | 8        | 125DA25A   | Rondelle A 25 ISO7089 Zinguée<br>Washer A 25 ISO7089 Zinc.                              |
| 2     | 4        | 1481D640A  | Goupille elastique 6 X 40 ISO8752 Z<br>Spring Pin 6 X 40 ISO8752 Z                      |
| 3     | 2        | 471D401.75 | Circlip 40x1,75 DIN471<br>Circlip 40x1,75 DIN471  |
| 4     | 2        | 6253.19.01 | Axe Ø 40<br>Pin Ø 40  |
| 5     | 1        | 6253.51.02 | Hydraulique Série 1 cpl.<br>Hydraulic Series 1 cpl.                                     |
| 6     | 2        | 6258.01.35 | Cadre latéral 4501 L(S)<br>Side frame 4501 L(S)   |
| 7     | 1        | 6258.01.90 | Cadre 3001 LE(S)-6001L(S)<br>Frame 3001 LE(S)-6001L(S)                                  |
| 8     | 4        | 6806.27.03 | Axe D25-71<br>Pin D25-71  |
| 9     | 4        | 936D20PA   | Ecrou bas Hm M20 8.8, ZNBL<br>Nut Hm M20 8.8, ZNBL                                      |
| 10    | 4        | 988D40502  | Rondelle 40x 50x2 DIN988<br>Washer 40x 50x2 DIN988                                      |
| 11    | 4        | VI 28 26   | Vis H M20x 45 - 8.8 ZNBL<br>Screw H M20x 45 - 8.8 ZNBL                                  |
| 12    | 2        | VM 214     | Graisseur droit autotaraudant - M8, pas100<br>Grease nipple self-tapping- M8, thread100 |

6258.00.74 (1/1)



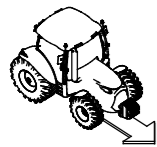
*Hydraulique Série 1 cpl.*

*Hydraulic Series 1 cpl.*



| Index | Quantity | Reference  | Designation   |
|-------|----------|------------|---|
| 1     | 2        | 1 235 106  | Collier double 2x20 complet<br>Double hose fixation 2x20 cpl.                   |
| 2     | 4        | 4716.53.05 | Raccord double<br>Double coupling   |
| 3     | 4        | 4723.02.03 | Raccord 12L M18x1.5<br>Male stud coupling 12L M18x1.5                           |
| 4     | 1        | 4753.57.01 | Collier double cpl.<br>Double clamp cpl.  |
| 5     | 4        | 6253.72.01 | Tube hydraulique 371mm<br>Hydraulic pipe 371mm                                  |
| 6     | 2        | 6436.07.02 | T-Raccord L-12 M18x1,5<br>T-Coupling L-12 M18x1,5                               |
| 7     | 4        | 6436.07.04 | Flexible Hydr. DN10 2SN L. 700<br>Hydr. hose DN10 2SN L. 700                    |
| 8     | 2        | 8132.01.00 | Connecteur hydraulique HL3 AG M18x1,5<br>Hydraulic connector HL3 AG M18x1,5     |
| 9     | 2        | 8132.05.01 | Cache rouge taille 3<br>Dust cap red size 3                                     |
| 10    | 2        | 8132.06.02 | Etranglement rondelle $\varnothing$ 1.5<br>Restrictive washer $\varnothing$ 1.5 |
| 11    | 2        | 8154.24.02 | Limiteur<br>Valve   |
| 12    | 2        | 8169.06.01 | Cylindre 100/40/300/575 cpl.<br>Cylinder 100/40/300/575 cpl.                    |
| 13    | 2        | 8413.88.01 | Tuyau hydraulique 2SN DN10 L1500<br>Hydraulic hose 2SN DN10 L1500               |

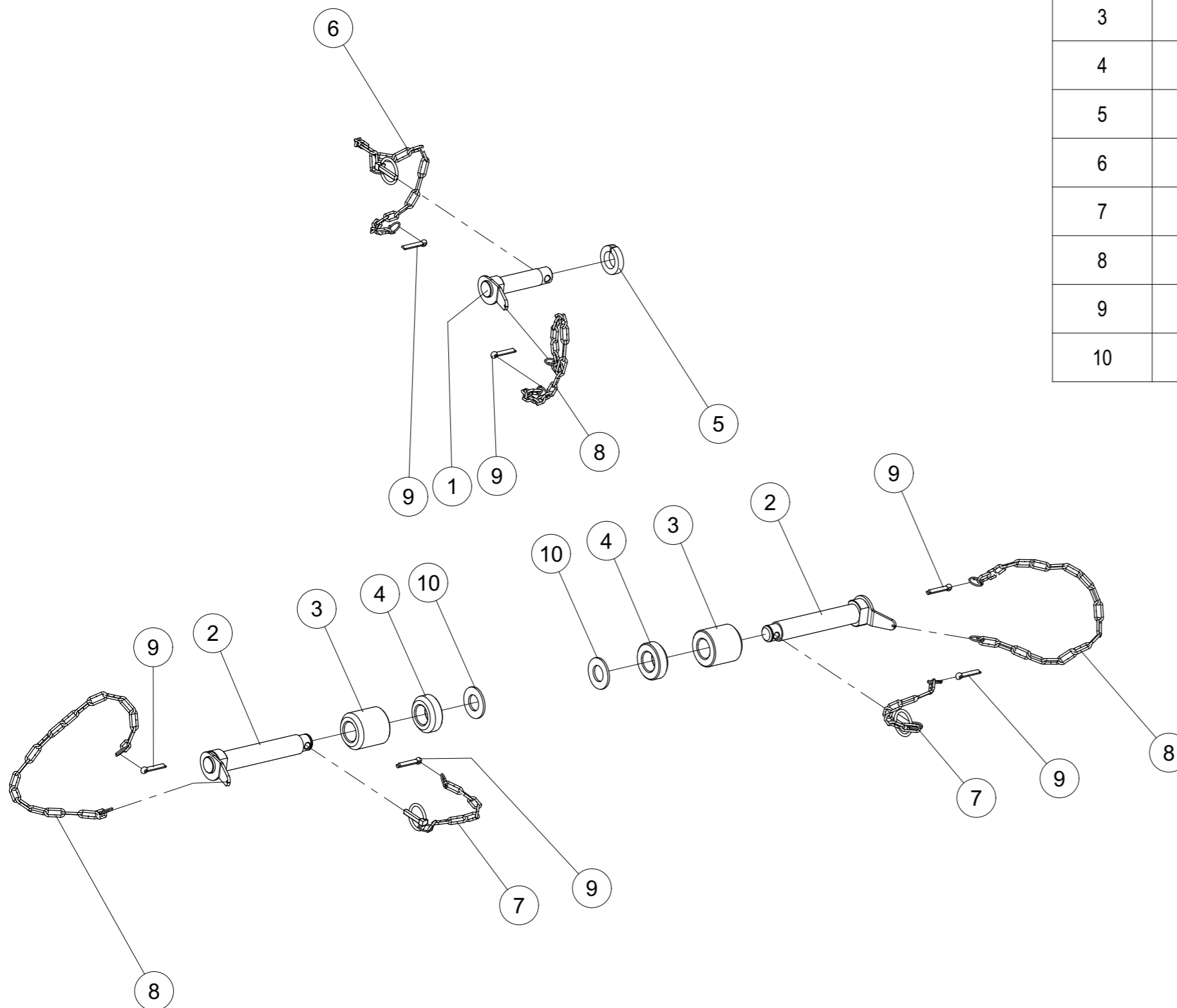




*Broches d'attelage Cat.3 cpl.*

*3-Point headstock Cat.3 cpl.*

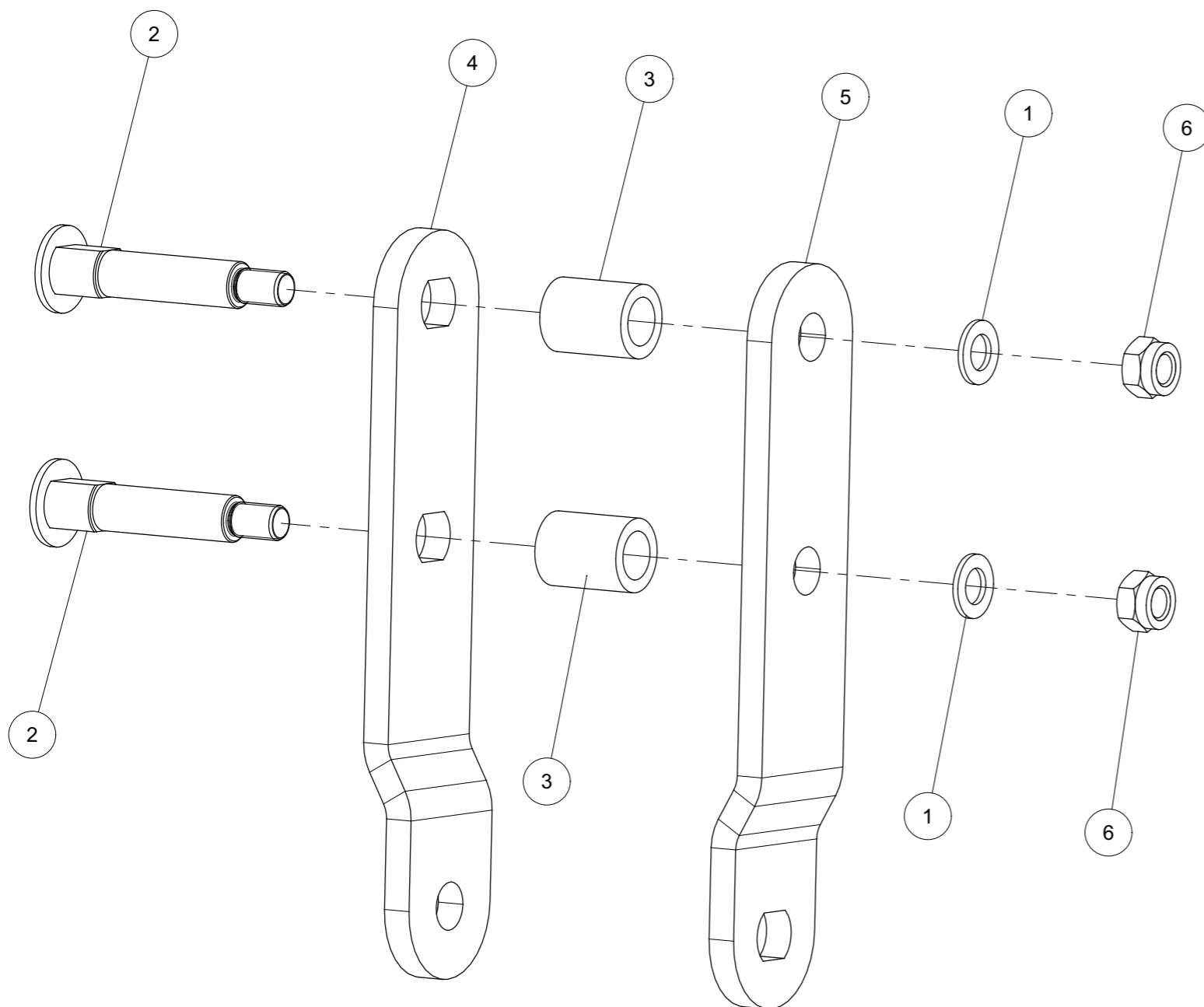
| Index | Quantite | Reference  | Designation   |
|-------|----------|------------|---|
| 1     | 1        | 1100.00.01 | Axe Cat.3<br>Pin Cat.3  |
| 2     | 2        | 1200.05.01 | Axe Cat 3<br>Top link pin Cat 3                               |
| 3     | 2        | 6258.13.15 | Douille d'attelage Lg:70mm<br>Hitch spacer length 70mm        |
| 4     | 2        | 6258.13.16 | Douille d'attelage Lg:25mm<br>Hitch spacer length 25mm        |
| 5     | 1        | 6258.13.20 | Rondelle 55/33x12<br>Washer 55/33x12                          |
| 6     | 1        | 6344.40.02 | Chaine de securité<br>Safety chain                            |
| 7     | 2        | 6344.40.03 | Chainette desecurité<br>Safety chain                          |
| 8     | 3        | 6344.40.19 | Chainette desecurité<br>Safety chain                          |
| 9     | 6        | 94D840A    | Goupille fendue 8x 40 ISO1234 Z<br>Cotter pin 8x 40 ISO1234 Z |
| 10    | 2        | VK 513     | Rondelle plate MU30 ZNBL<br>Flat washer MU30 ZNBL             |





*Kit de support pour quick coupler*  
*Support kit for quick coupler*

| Index | Quantity | Reference  | Designation  |
|-------|----------|------------|--|
| 1     | 2        | 125DA25A   | Rondelle A 25 ISO7089 Zinguée<br>Washer A 25 ISO7089 Zinc.     |
| 2     | 2        | 6258.90.16 | Axe<br>Bolt  |
| 3     | 2        | 6258.90.17 | Douille Z.<br>Sleeve Z.  |
| 4     | 1        | 6258.90.80 | Bride de liaison supérieure droit<br>Upper link flap right     |
| 5     | 1        | 6258.90.81 | Bride de liaison supérieure gauche<br>Upper link flap left     |
| 6     | 2        | 985D2415PA | Ecrou HFR M24x1,5 ISO10511-8 Z<br>Nut HFR M24x1,5 ISO10511-8 Z |

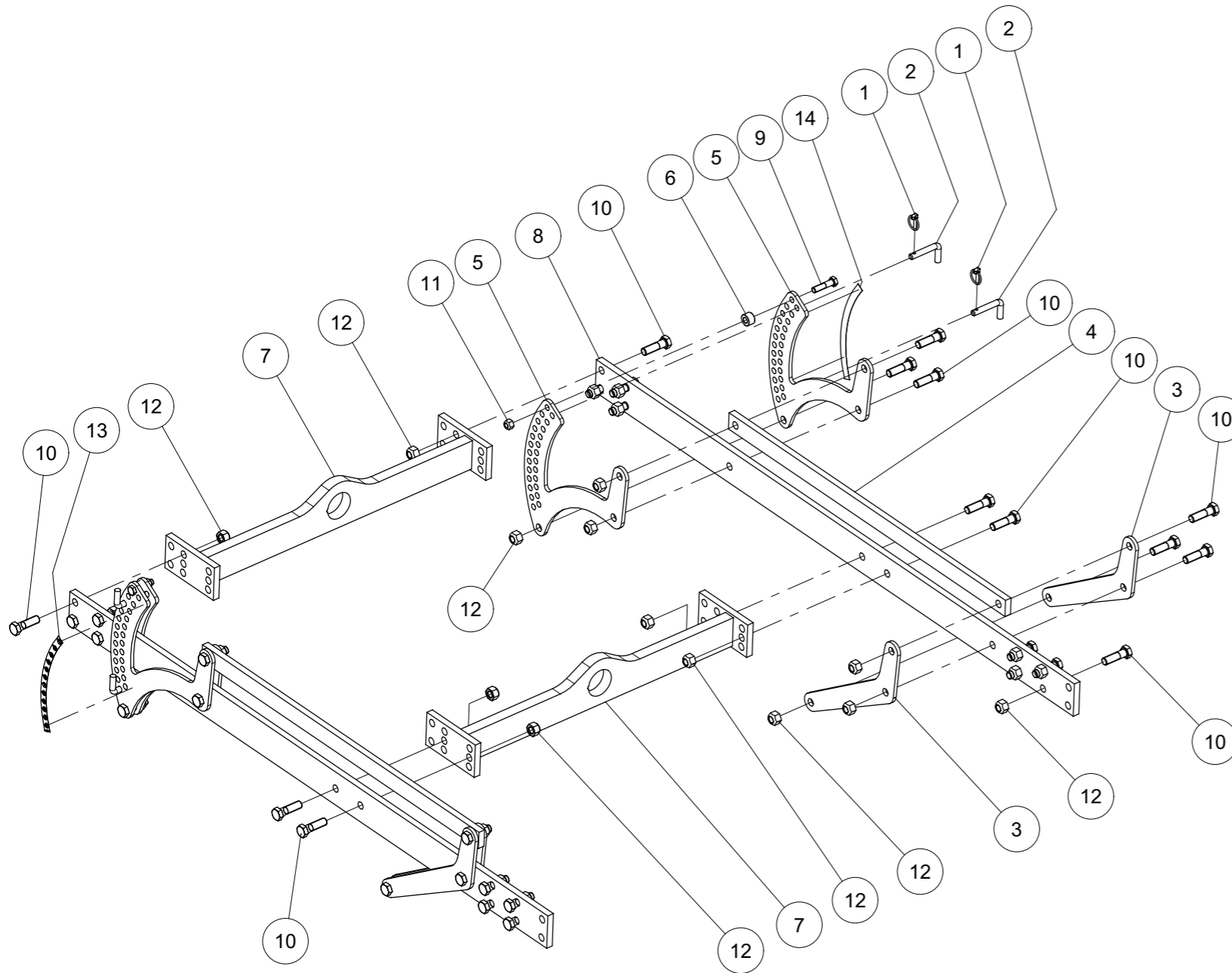






*Porte-outils L cpl.*

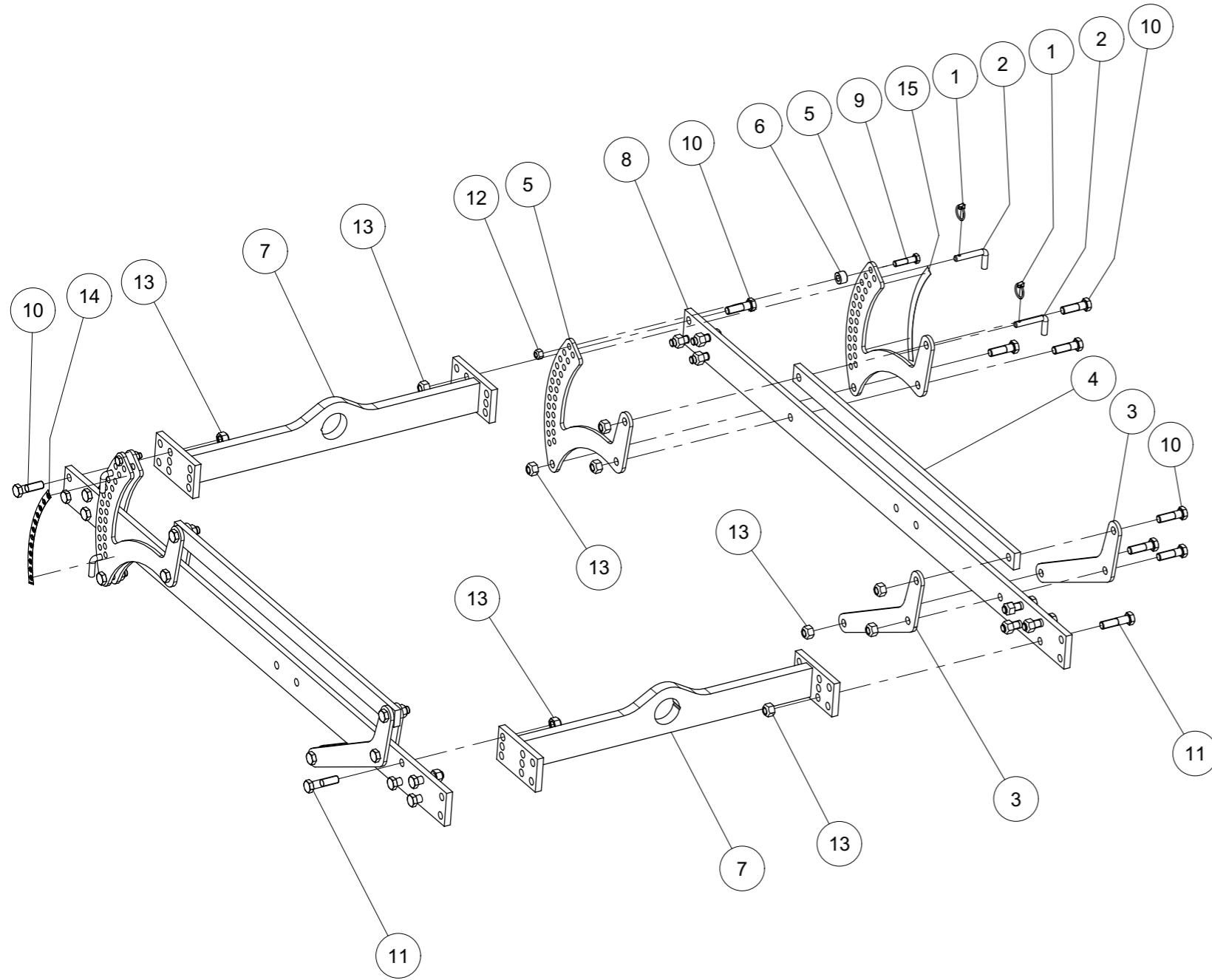
*Tool carrier L cpl.*



| Index | Quantity | Reference  | Designation   |
|-------|----------|------------|---|
| 1     | 4        | 11023D532A | Goupille "Clips" Dia 5 Z<br>Lynch pin Dia5              |
| 2     | 4        | 6241.29.02 | Axe TB-12x50<br>Pin TB-12x50                            |
| 3     | 4        | 6253.06.01 | Plaque de direction<br>Steering plate                   |
| 4     | 2        | 6253.10.02 | Support<br>Strut  |
| 5     | 4        | 6253.56.05 | Réglage<br>Adjuster                                     |
| 6     | 2        | 6258.02.03 | Espaceur<br>Spacer                                      |
| 7     | 2        | 6258.02.05 | Faisceau soudé<br>Beam welded                           |
| 8     | 2        | 6258.02.10 | Rail longitudinal<br>Longitudinal rail                  |
| 9     | 2        | 931D1250PA | Vis H M12 x 50 ZNBL 8.8<br>Hex. Screw M12 x 50 Zinc 8.8 |
| 10    | 32       | 931D1655PA | Vis H M16 x 55 ZNBL 8.8<br>Hex. Screw M16 x 55 Zinc 8.8 |
| 11    | 2        | 980DV12PA  | Ecrou M12 ZNBL 8.8<br>Nut M12 Zinc 8.8                  |
| 12    | 32       | 980DV16PA  | Ecrou M16 ZNBL 8.8<br>Nut M16 Zinc 8.8                  |
| 13    | 1        | 9998.09.05 | Échelle d'autocollant à gauche<br>Sticker scale left    |
| 14    | 1        | 9998.09.06 | Échelle d'autocollant à droite<br>Sticker scale right   |



*Porte-outils cpl.*  
*Tool carrier LS cpl.*

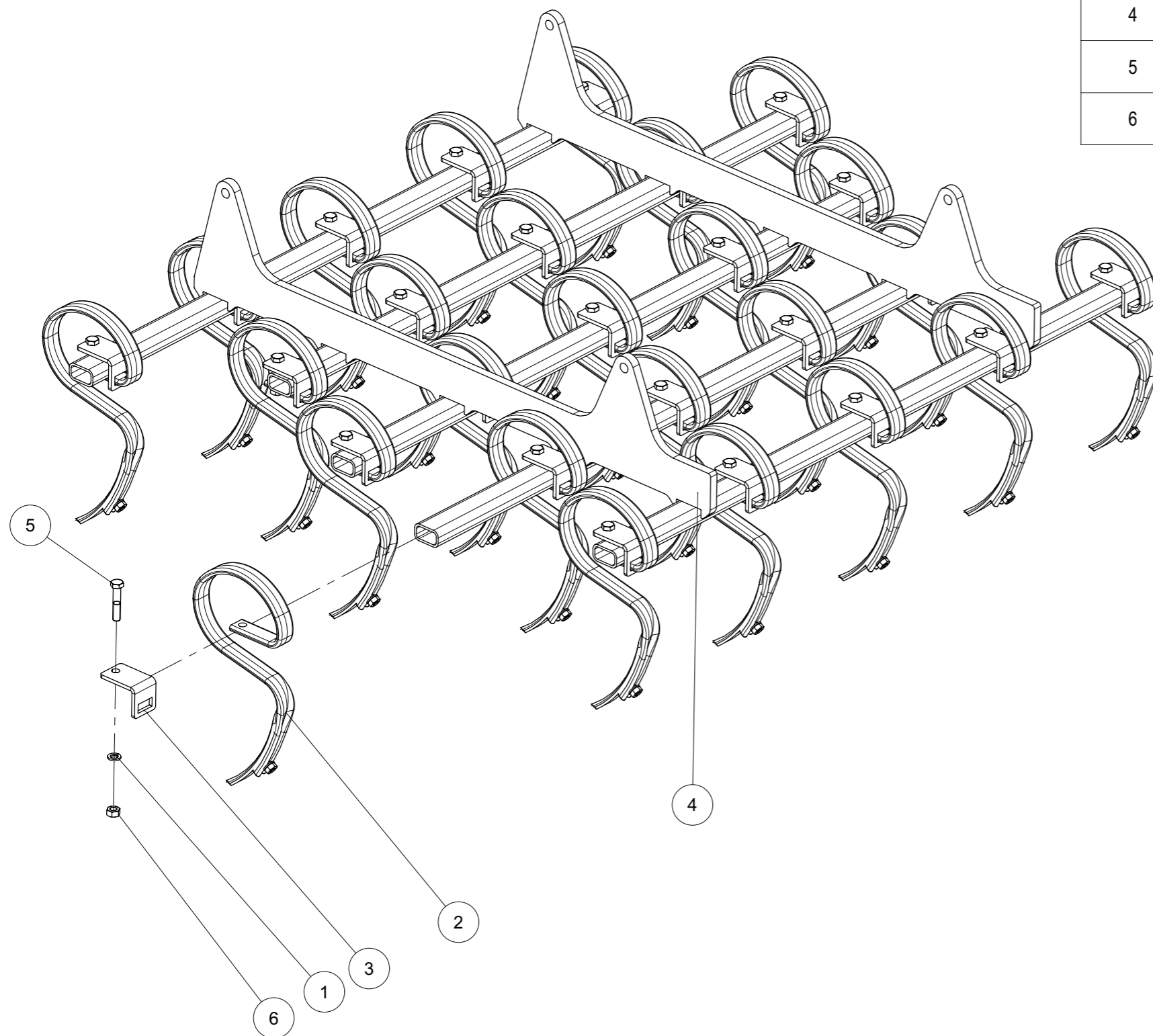


| Index | Quantity | Reference  | Designation   |
|-------|----------|------------|---|
| 1     | 4        | 11023D532A | Goupille "Clips" Dia 5 Z<br>Lynch pin Dia5              |
| 2     | 4        | 6241.29.02 | Axe TB-12x50<br>Pin TB-12x50                            |
| 3     | 4        | 6253.06.01 | Plaque de direction<br>Steering plate                   |
| 4     | 2        | 6253.10.02 | Support<br>Strut  |
| 5     | 4        | 6253.56.05 | Réglage<br>Adjuster                                     |
| 6     | 2        | 6258.02.03 | Espaceur<br>Spacer                                      |
| 7     | 2        | 6258.02.05 | Faisceau soudé<br>Beam welded                           |
| 8     | 2        | 6258.02.10 | Rail longitudinal<br>Longitudinal rail                  |
| 9     | 2        | 931D1250PA | Vis H M12 x 50 ZNBL 8.8<br>Hex. Screw M12 x 50 Zinc 8.8 |
| 10    | 20       | 931D1655PA | Vis H M16 x 55 ZNBL 8.8<br>Hex. Screw M16 x 55 Zinc 8.8 |
| 11    | 8        | 931D1665PA | Vis H M16 x 65 ZNBL 8.8<br>Hex. Screw M16 x 65 Zinc 8.8 |
| 12    | 2        | 980DV12PA  | Ecrou M12 ZNBL 8.8<br>Nut M12 Zinc 8.8                  |
| 13    | 28       | 980DV16PA  | Ecrou M16 ZNBL 8.8<br>Nut M16 Zinc 8.8                  |
| 14    | 1        | 9998.09.05 | Échelle d'autocollant à gauche<br>Sticker scale left    |
| 15    | 1        | 9998.09.06 | Échelle d'autocollant à droite<br>Sticker scale right   |



*Dent-élément de herse VEG-18 cpl.*  
*Gare harrowing tine field VEG-18 cpl.*

| Index | Quantity | Reference  | Designation   |
|-------|----------|------------|---|
| 1     | 25       | 127DA12A   | Rondelle élastique A 12 DIN127 Z<br>Springwasher A 12 DIN127 Z        |
| 2     | 25       | 6242.17.01 | Dent VEG-18 cpl.<br>S-tine VEG-18 cpl.                                |
| 3     | 25       | 6251.01.03 | Support de dent<br>Tine holder  |
| 4     | 1        | 6253.59.01 | Élément de herse soudé<br>Harrow section welded                       |
| 5     | 25       | 931D1260PA | Vis H M12 x 60 ZNBL 8.8<br>Hex. Screw M12 x 60 Zinc 8.8               |
| 6     | 25       | 934D12PA   | Ecrou std H M12 - pas 175 Zingue<br>Nut std H M12 - thread 175 Zingue |

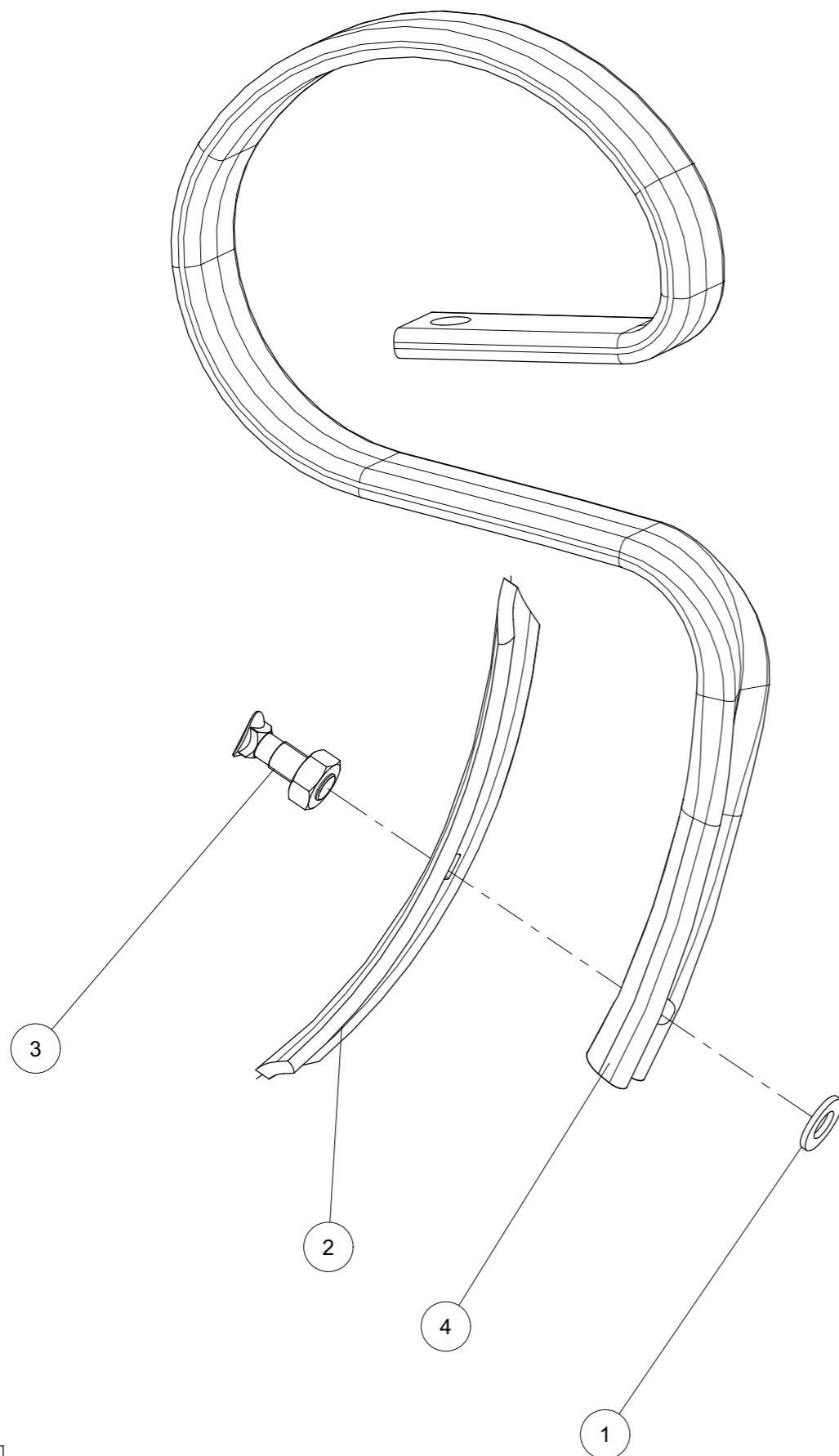




*Dent VEG-18 cpl.*

*S-tine VEG-18 cpl.*

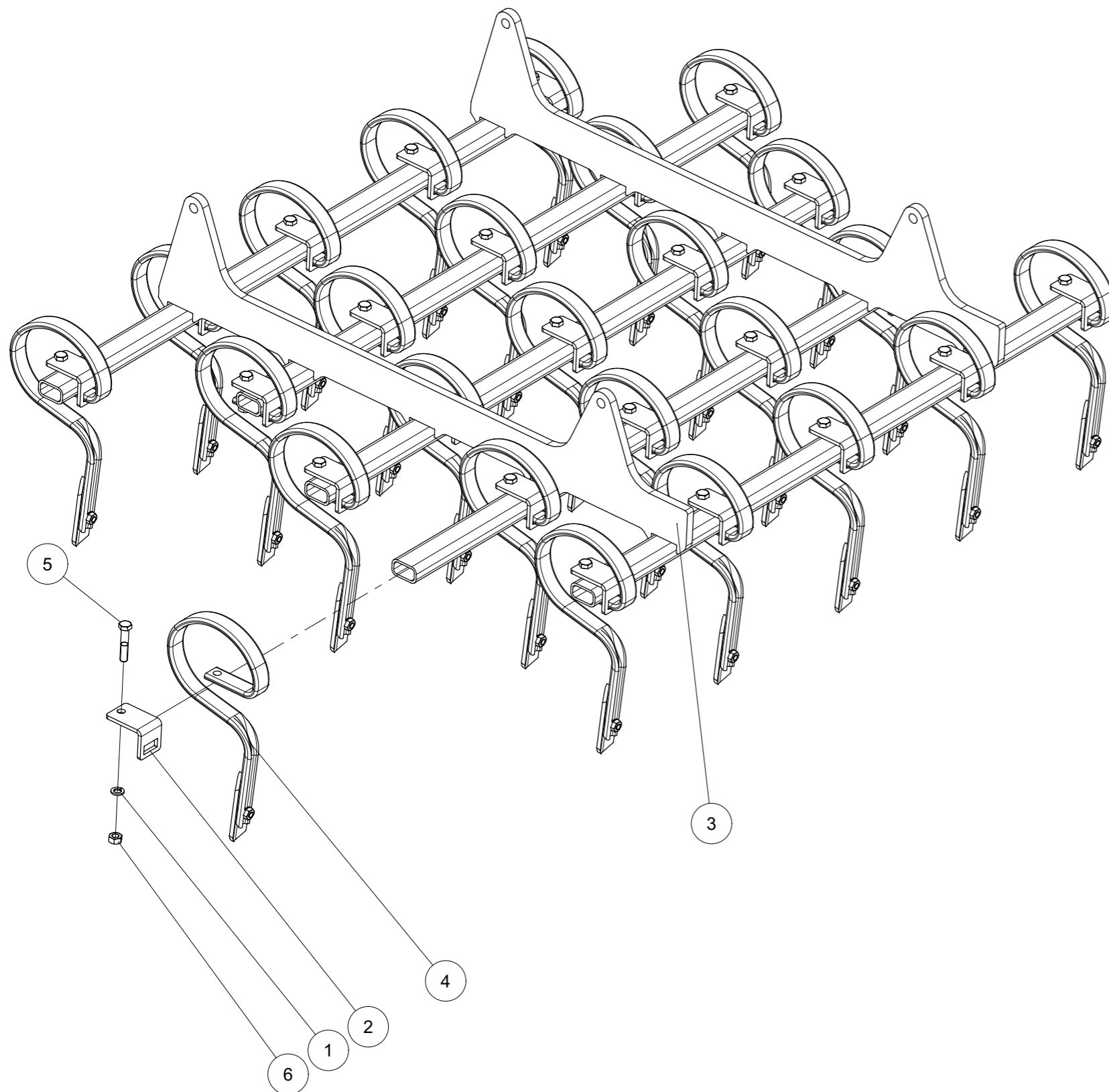
| Index | Quantity | Reference  | Designation  |
|-------|----------|------------|--|
| 1     | 1        | 125DA10.5A | Rondelle A 10.5 ISO 7089 Zinguée<br>Washer A 10.5 ISO 7089 Zinc. |
| 2     | 1        | 6242.08.02 | Soc GG - 12 pour P56/1<br>Share GG - 12 for P56/1                |
| 3     | 1        | 6242.08.04 | Vis SSS 10x35 + Ecrou<br>Bolt SSS 10x35 + Hex nut                |
| 4     | 1        | 6242.17.02 | Dent VEG-18<br>S-tine VEG-18                                     |





*Dent-élément de herse cpl.*  
*Gare harrowing tine field cpl.*

| Index | Quantity | Reference  | Designation   |
|-------|----------|------------|---|
| 1     | 25       | 127DA12A   | Rondelle élastique A 12 DIN127 Z<br>Springwascher A 12 DIN127 Z       |
| 2     | 25       | 6251.01.03 | Support de dent<br>Tine holder  |
| 3     | 1        | 6253.59.01 | Élément de herse soudé<br>Harrow section welded                       |
| 4     | 25       | 8007.63.00 | Dent debout raide 32x10 cpl.<br>Tine steep standing 32x10 cpl.        |
| 5     | 25       | 931D1260PA | Vis H M12 x 60 ZNBL 8.8<br>Hex. Screw M12 x 60 Zinc 8.8               |
| 6     | 25       | 934D12PA   | Ecrou std H M12 - pas 175 Zingue<br>Nut std H M12 - thread 175 Zingue |



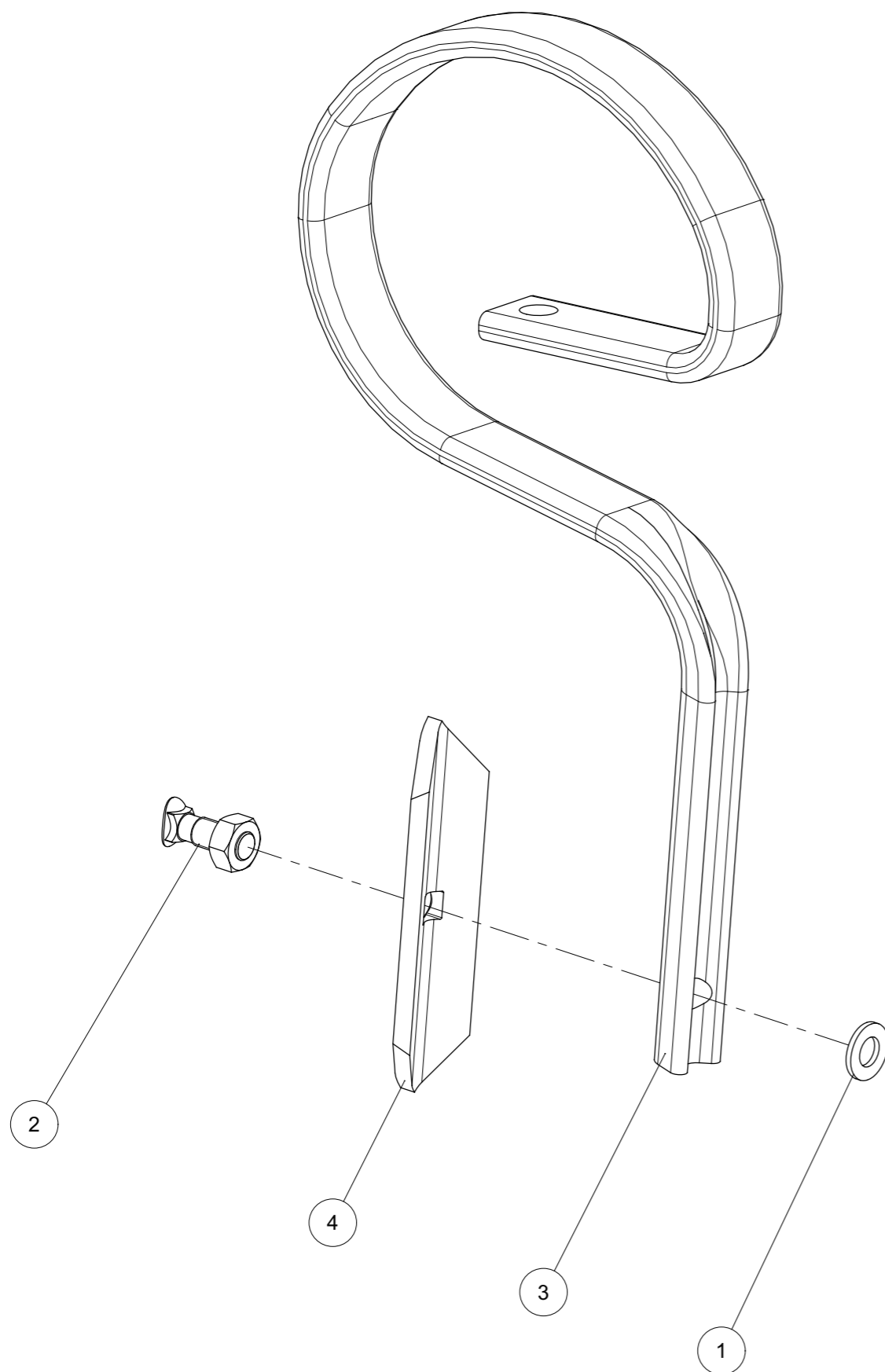




*Dent debout raide 32x10 cpl.*

*Tine steep standing 32x10 cpl.*

| Index | Quantity | Reference  | Designation  |
|-------|----------|------------|--|
| 1     | 1        | 125DA10.5A | Rondelle A 10.5 ISO 7089 Zinguée<br>Washer A 10.5 ISO 7089 Zinc. |
| 2     | 1        | 6242.08.04 | Vis SSS 10x35 + Ecrou<br>Bolt SSS 10x35 + Hex nut                |
| 3     | 1        | 8007.63.01 | Dent debout raide 32x10<br>Tine steep standing 32x10             |
| 4     | 1        | 8007.63.02 | Soc 40x6<br>Share 40x6   |

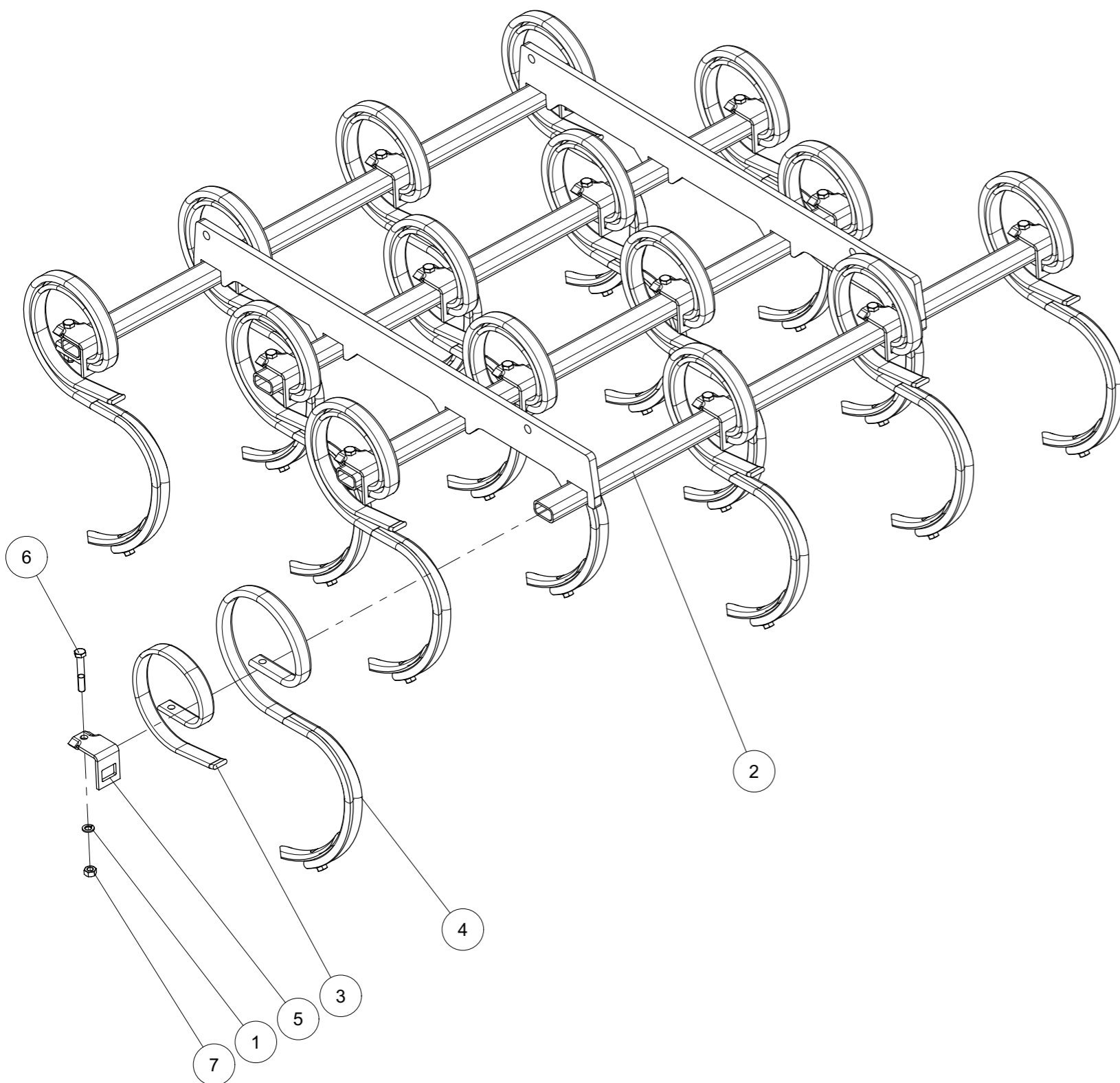


8007.63.00 (1/1)



*Jeu de dents renforcés, élément de herse cpl.*

*Double spring tine, harrow section cpl.*

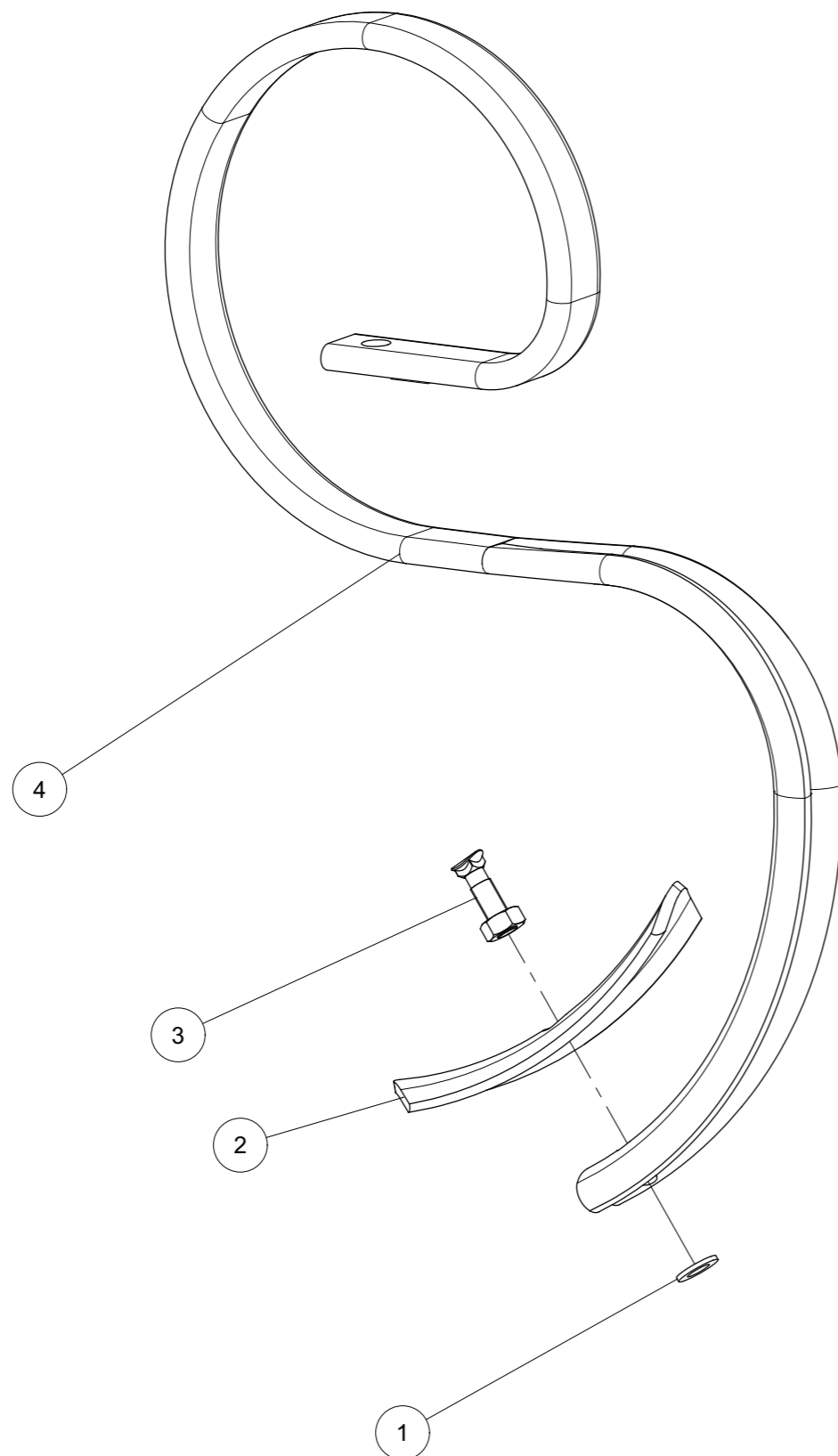


| Index | Quantity | Reference  | Designation   |
|-------|----------|------------|---|
| 1     | 16       | 127DA12A   | Rondelle élastique A 12 DIN127 Z<br>Springwasher A 12 DIN127 Z        |
| 2     | 1        | 6253.58.01 | Élément de herse<br>Harrow section                                    |
| 3     | 16       | 8007.33.02 | Renfort VEG-14<br>Reinforcement VEG-14                                |
| 4     | 16       | 8007.42.02 | Dents VEG-16 montées<br>Tines VEG-16 mounted                          |
| 5     | 16       | 8007.43.03 | Plaquette<br>Plate  |
| 6     | 16       | 931D1275PA | Vis H M12 x 75 ZNBL 8.8<br>Hex. Screw M12 x 75 Zinc 8.8               |
| 7     | 16       | 934D12PA   | Ecrou std H M12 - pas 175 Zingue<br>Nut std H M12 - thread 175 Zingue |



*Dents VEG-16 montées*  
*Tines VEG-16 mounted*

| Index | Quantity | Reference  | Designation  |
|-------|----------|------------|--|
| 1     | 1        | 126D11A    | Rondelle 11 ISO7091 ZNBL<br>Washer 11 ISO7091 ZNBL           |
| 2     | 1        | 8007.18.03 | Soc 40x5 GG-503<br>Share 40x5 GG-503                         |
| 3     | 1        | 8007.18.04 | Vis SSS 10x40 + Ecrou<br>Bolt SSS 10x40 + Hex nut            |
| 4     | 1        | 8007.42.01 | Dents de herse culture VEG-16<br>Culture harrow tines VEG-16 |



8007.42.02 (1/1)

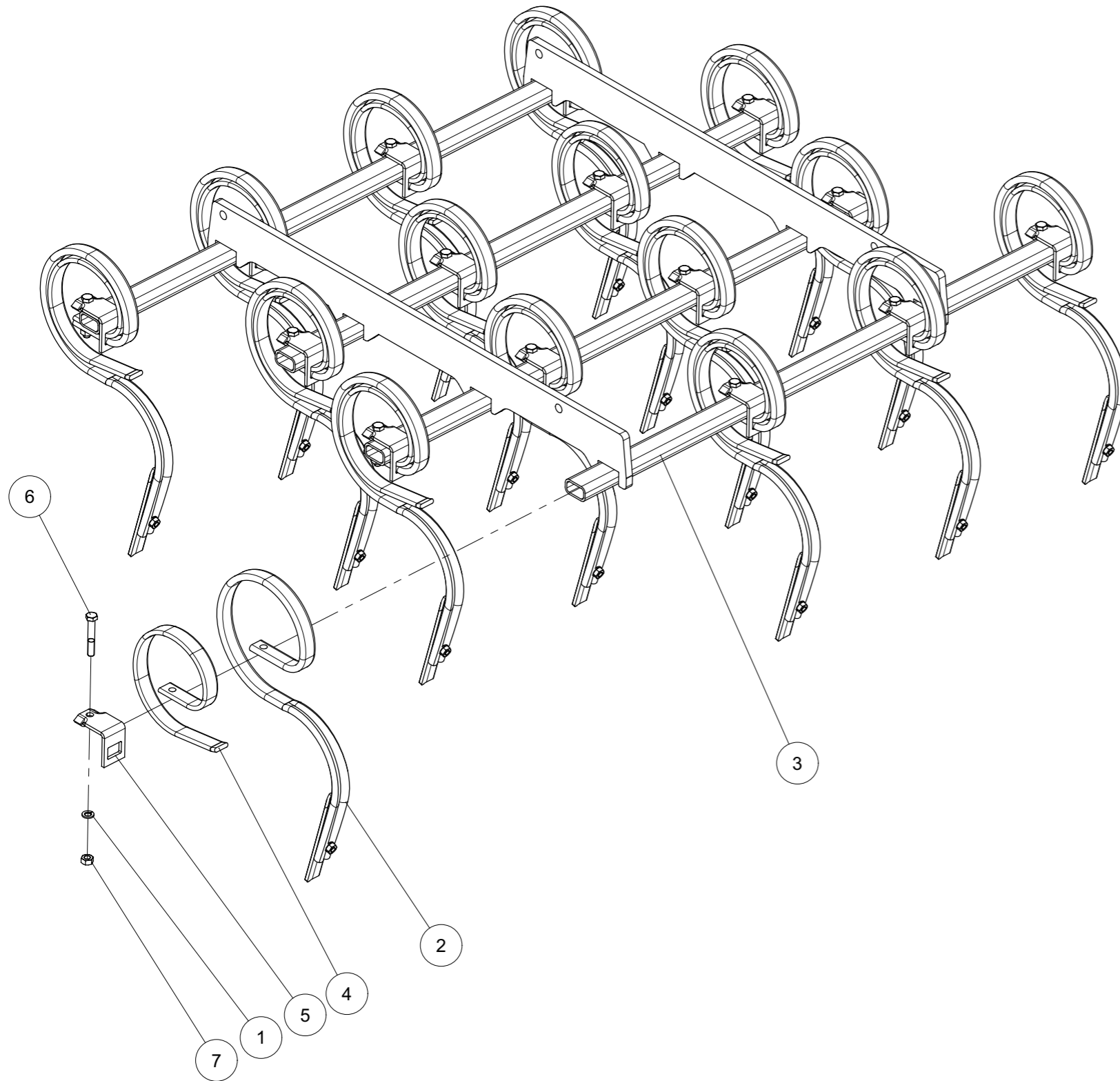




*Vibra dent renforcées cpl.*

*Vibra tine reinforced cpl.*

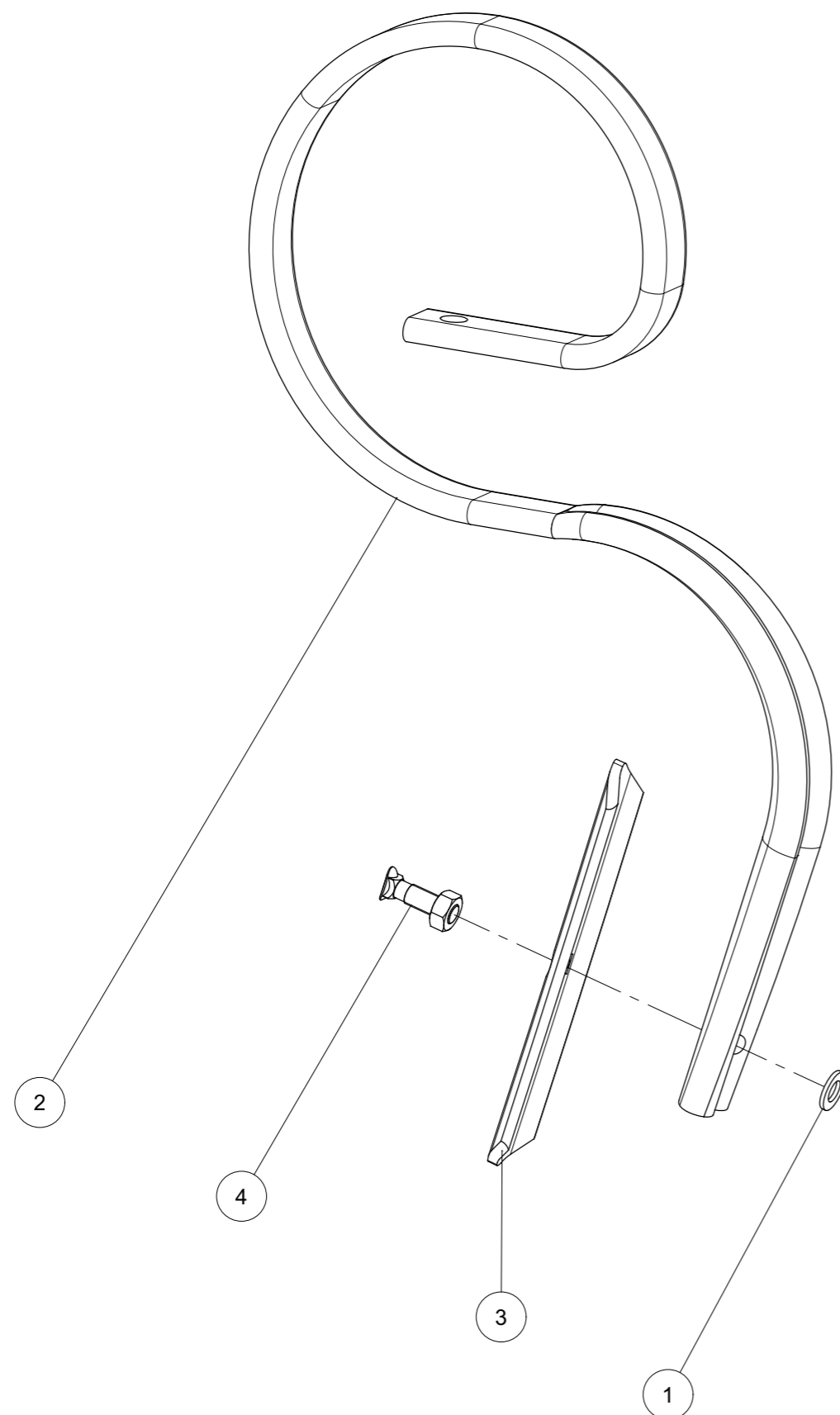
| Index | Quantity | Reference  | Designation   |
|-------|----------|------------|---|
| 1     | 16       | 127DA12A   | Rondelle élastique A 12 DIN127 Z<br>Springwasher A 12 DIN127 Z        |
| 2     | 16       | 6251.77.01 | Vibra dent avec Soc monté<br>Vibra tine with share mounted            |
| 3     | 1        | 6253.58.01 | Elément de herse<br>Harrow section                                    |
| 4     | 16       | 8007.33.02 | Renfort VEG-14<br>Reinforcement VEG-14                                |
| 5     | 16       | 8007.43.03 | Plaquette<br>Plate  |
| 6     | 16       | 931D1275PA | Vis H M12 x 75 ZNBL 8.8<br>Hex. Screw M12 x 75 Zinc 8.8               |
| 7     | 16       | 934D12PA   | Ecrou std H M12 - pas 175 Zingue<br>Nut std H M12 - thread 175 Zingue |





*Vibra dent avec Soc monté*  
*Vibra tine with share mounted*

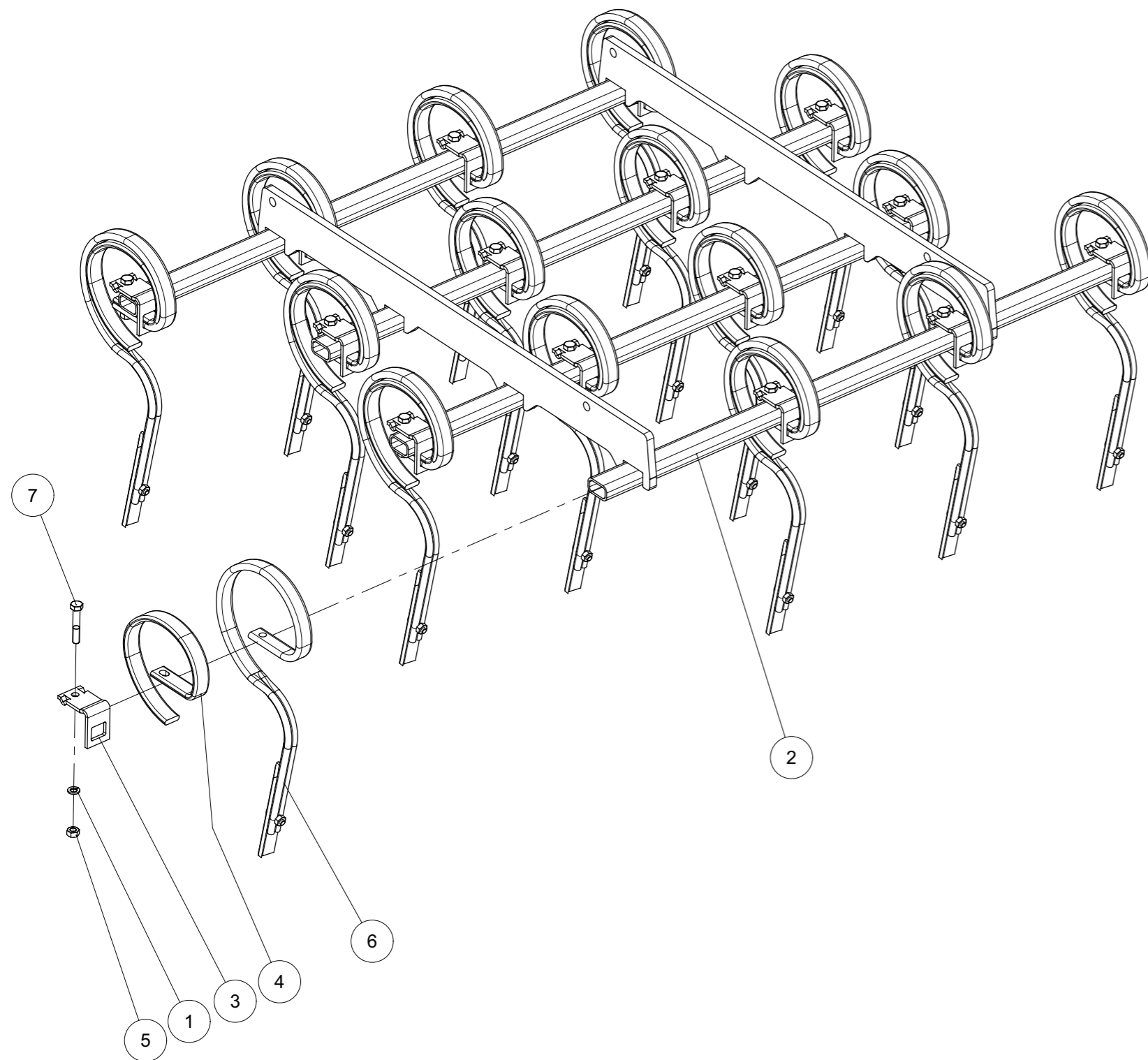
| Index | Quantity | Reference  | Designation  |
|-------|----------|------------|--|
| 1     | 1        | 126D11A    | Rondelle 11 ISO7091 ZNBL<br>Washer 11 ISO7091 ZNBL |
| 2     | 1        | 6251.77.02 | Vibra dent 32x12<br>Vibra tine 32x12               |
| 3     | 1        | 6251.77.03 | Soc<br>Share                                       |
| 4     | 1        | 8007.18.04 | Vis SSS 10x40 + Ecrou<br>Bolt SSS 10x40 + Hex nut  |





*Element dents droites renforcées cpl.*  
*Element reinforced straight tines cpl.*

| Index | Quantity | Reference  | Designation   |
|-------|----------|------------|---|
| 1     | 16       | 127DA12A   | Rondelle élastique A 12 DIN127 Z<br>Springwasher A 12 DIN127 Z        |
| 2     | 1        | 6253.58.01 | Elément de herse<br>Harrow section                                    |
| 3     | 16       | 6253.58.12 | Plaque 32x12+10 / 50x30<br>Plate 32x12+10 / 50x30                     |
| 4     | 16       | 6253.58.13 | Renfort DR 32x10<br>Reinforcement DR 32x10                            |
| 5     | 16       | 934D12PA   | Ecrou std H M12 - pas 175 Zingue<br>Nut std H M12 - thread 175 Zingue |
| 6     | 16       | DBDT 3212  | Dent 32x12 avec soc cpl.<br>Vibra tine 32x12 with share cpl.          |
| 7     | 16       | VI 29 16   | Vis H M12x 70 - 8.8 ZNBL<br>Screw H M12x 70 - 8.8 ZNBL                |

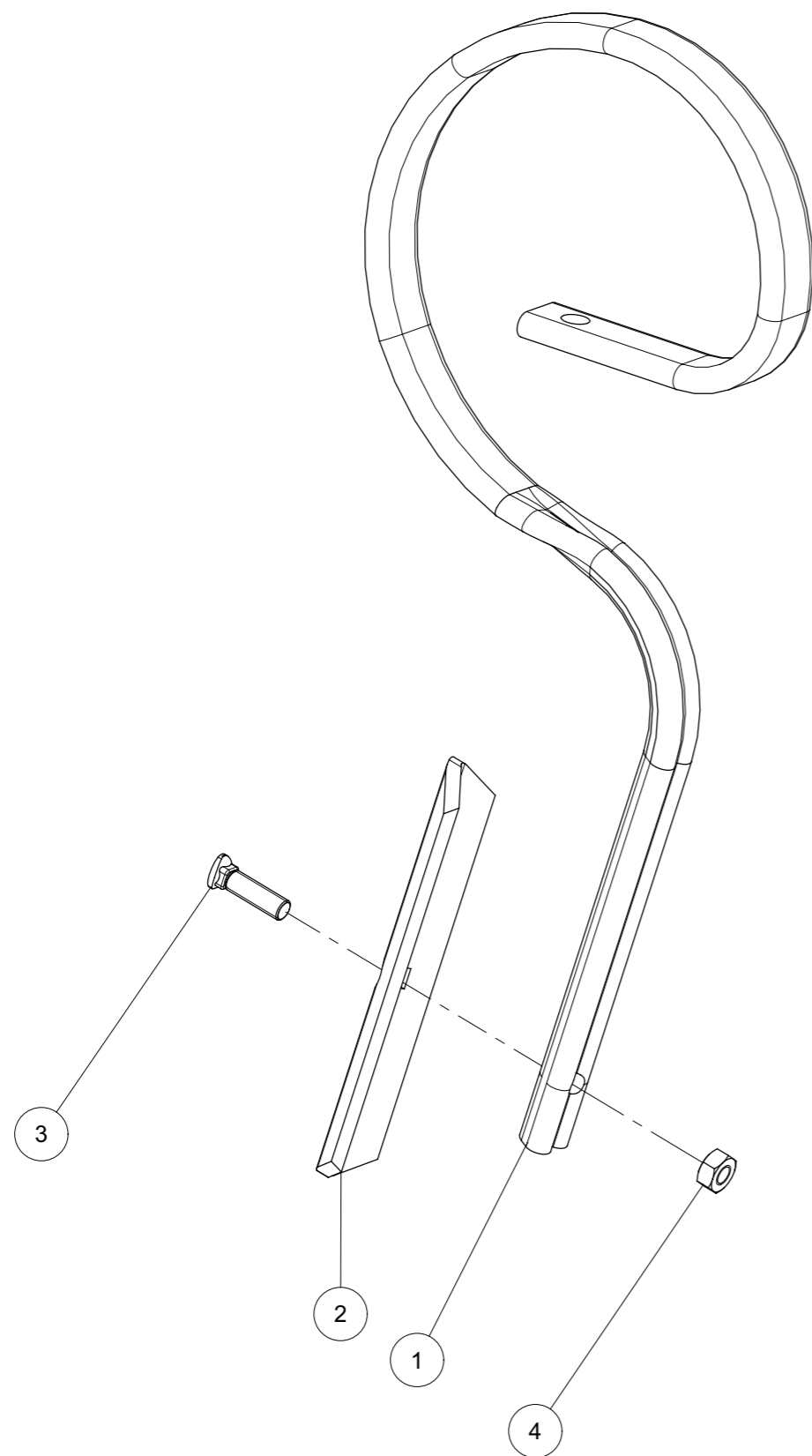


6253.58.11 (1/1)



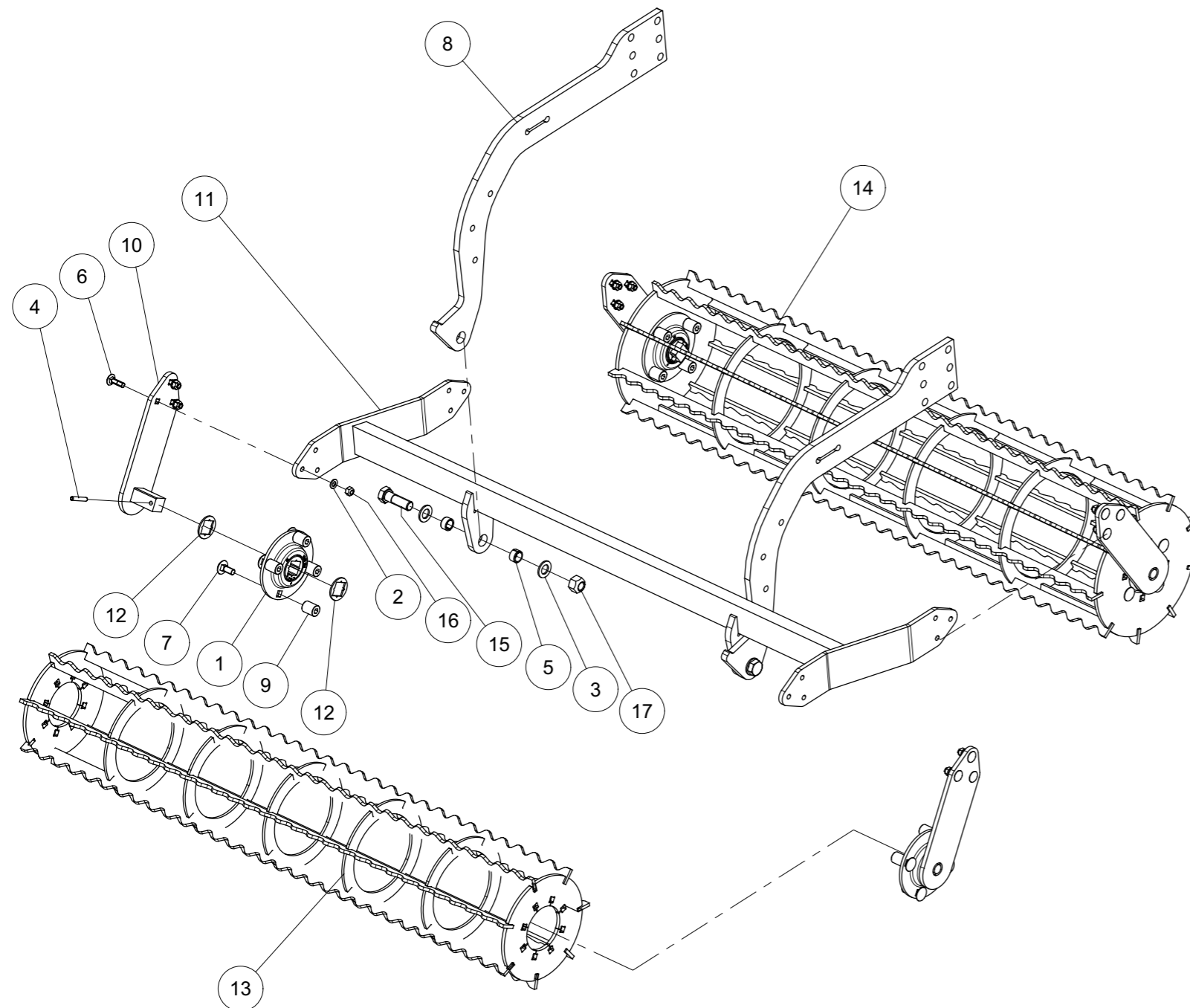
*Dent 32x12 avec soc cpl.*  
*Vibra tine 32x12 with share cpl.*

| Index | Quantity | Reference | Designation   |
|-------|----------|-----------|---|
| 1     | 1        | 7 C 00211 | Dent 32x12 nue<br>Vibra tines 32x12                               |
| 2     | 1        | FOMA 0017 | Soc droit 215x40x6<br>Share 215x40x6                              |
| 3     | 1        | M 230 806 | Vis TFCC M10x38 Cl.8.8 Pas150<br>Screw TFCC M10x38 Cl.8.8 Pas 150 |
| 4     | 1        | VJ 607    | Ecrou HU M10 - 8 ZNBL<br>Nut HU M10 - 8 ZNBL                      |





*Rouleau denté pointu Tandem TillXtrem*  
*Pointed toothed roller Tandem TillXtrem*



| Index | Quantity | Reference   | Designation   |
|-------|----------|-------------|---|
| 1     | 4        | 6 300 938   | Palier 209 C30 TillXtreme (BTE938)<br>Bearing 209 C30 TillXtreme (BTE938) |
| 2     | 12       | 125DA10.5A  | Rondelle A 10.5 ISO 7089 Zinguée<br>Washer A 10.5 ISO 7089 Zinc.          |
| 3     | 4        | 125DA21A    | Rondelle A 21 ISO7089 ZNBL<br>Washer A 21 ISO7089 Zinc.                   |
| 4     | 4        | 1481D850A   | Goupille elastique 8 X 50 ISO8752 Z<br>Spring Pin 8 X 50 ISO8752 Z        |
| 5     | 4        | 1498D202614 | Douille EG 20/26x14 DIN1498<br>Bush EG 20/26x14 DIN1498                   |
| 6     | 12       | 603D1035PA  | Vis TRCC M10x35 ISO8677-8.8 ZNBL<br>Round-head bolt M10x35 ISO8677-8.8 Z  |
| 7     | 16       | 603D1230PA  | Vis TRCC M12x30 ISO8677-8.8 ZNBL<br>Round-head bolt M12x30 ISO8677-8.8 Z  |
| 8     | 2        | 6258.23.39  | Levier<br>Lever   |
| 9     | 16       | 6812.25.15  | Ecrou spéciale M 12x30<br>Special nut M 12x30                             |
| 10    | 4        | 6812.25.34  | Bras de support SQ 30<br>Support arm SQ 30                                |
| 11    | 1        | 6812.25.67  | Porteur soudé<br>Welded carrier   |
| 12    | 8        | 6812.25.92  | Rondelle de calage palier<br>Adjusting washer                             |
| 13    | 1        | 6812.27.80  | Rouleau denté pointu D270<br>Pointed toothed roller D270                  |
| 14    | 1        | 6812.27.81  | Rouleau denté pointu D330<br>Pointed toothed roller D330                  |
| 15    | 2        | 931D2065NA  | Vis H M20 x 65 ZNBL 10.9<br>Hex. Screw M20 x 65 Zinc 10.9                 |
| 16    | 12       | 980DV10PA   | Ecrou M10 ZNBL 8.8<br>Nut M10 Zinc 8.8                                    |
| 17    | 2        | 980DV20NA   | Ecrou M20 ZNBL 10.9<br>Nut M20 Zinc 10.9                                  |

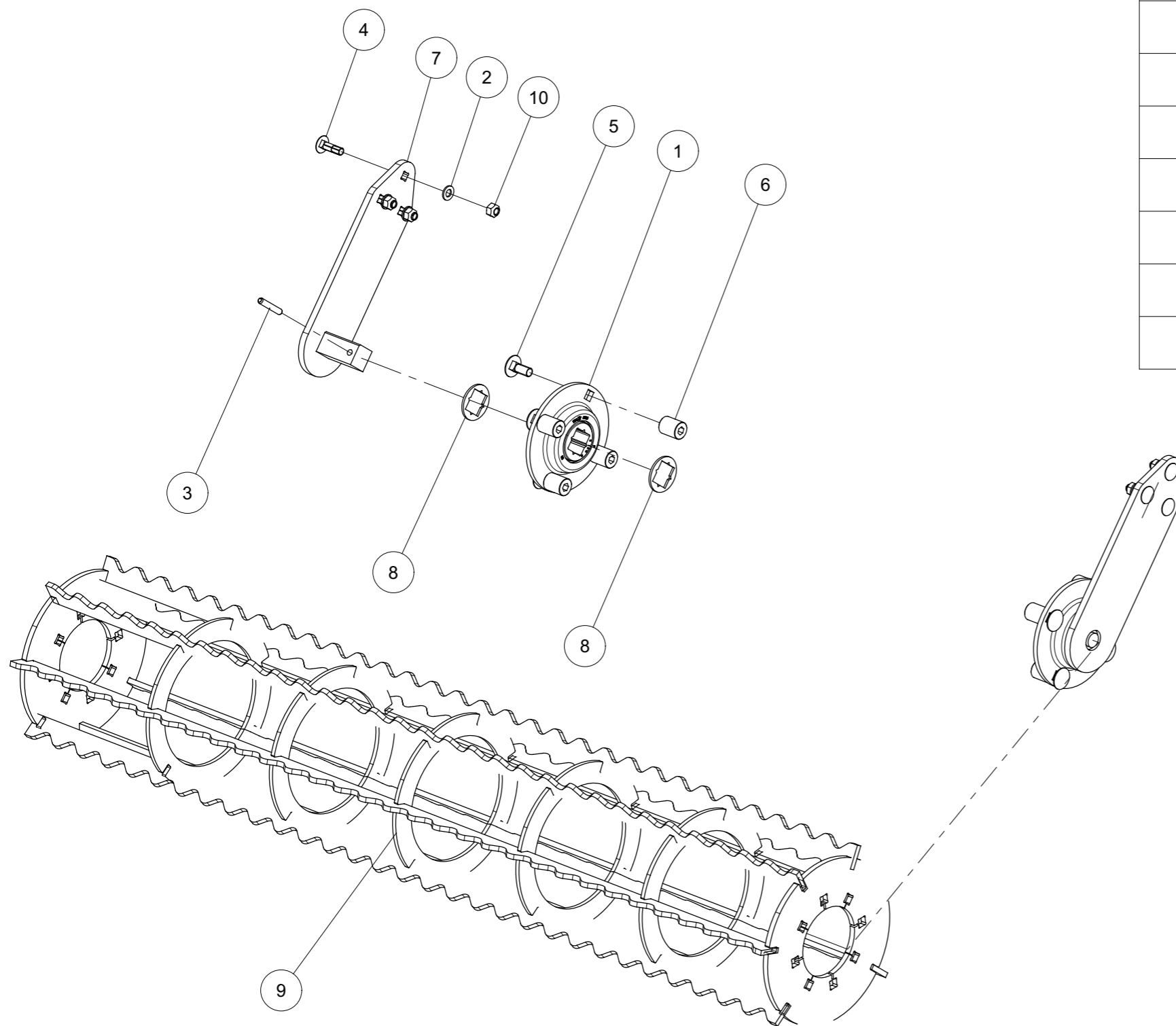




*Kit Rouleau denté pointu D270 TillXtrem*

*Kit Pointed toothed roller D270 TillXtrem*

| Index | Quantity | Reference  | Designation   |
|-------|----------|------------|---|
| 1     | 2        | 6 300 938  | Palier 209 C30 TillXtreme (BTE938)<br>Bearing 209 C30 TillXtreme (BTE938) |
| 2     | 6        | 125DA10.5A | Rondelle A 10.5 ISO 7089 Zinguée<br>Washer A 10.5 ISO 7089 Zinc.          |
| 3     | 2        | 1481D850A  | Goupille elastique 8 X 50 ISO8752 Z<br>Spring Pin 8 X 50 ISO8752 Z        |
| 4     | 6        | 603D1035PA | Vis TRCC M10x35 ISO8677-8.8 ZNBL<br>Round-head bolt M10x35 ISO8677-8.8 Z  |
| 5     | 8        | 603D1230PA | Vis TRCC M12x30 ISO8677-8.8 ZNBL<br>Round-head bolt M12x30 ISO8677-8.8 Z  |
| 6     | 8        | 6812.25.15 | Ecrou spéciale M 12x30<br>Special nut M 12x30                             |
| 7     | 2        | 6812.25.34 | Bras de support SQ 30<br>Support arm SQ 30                                |
| 8     | 4        | 6812.25.92 | Rondelle de calage palier<br>Adjusting washer                             |
| 9     | 1        | 6812.27.80 | Rouleau denté pointu D270<br>Pointed toothed roller D270                  |
| 10    | 6        | 980DV10PA  | Ecrou M10 ZNBL 8.8<br>Nut M10 Zinc 8.8                                    |

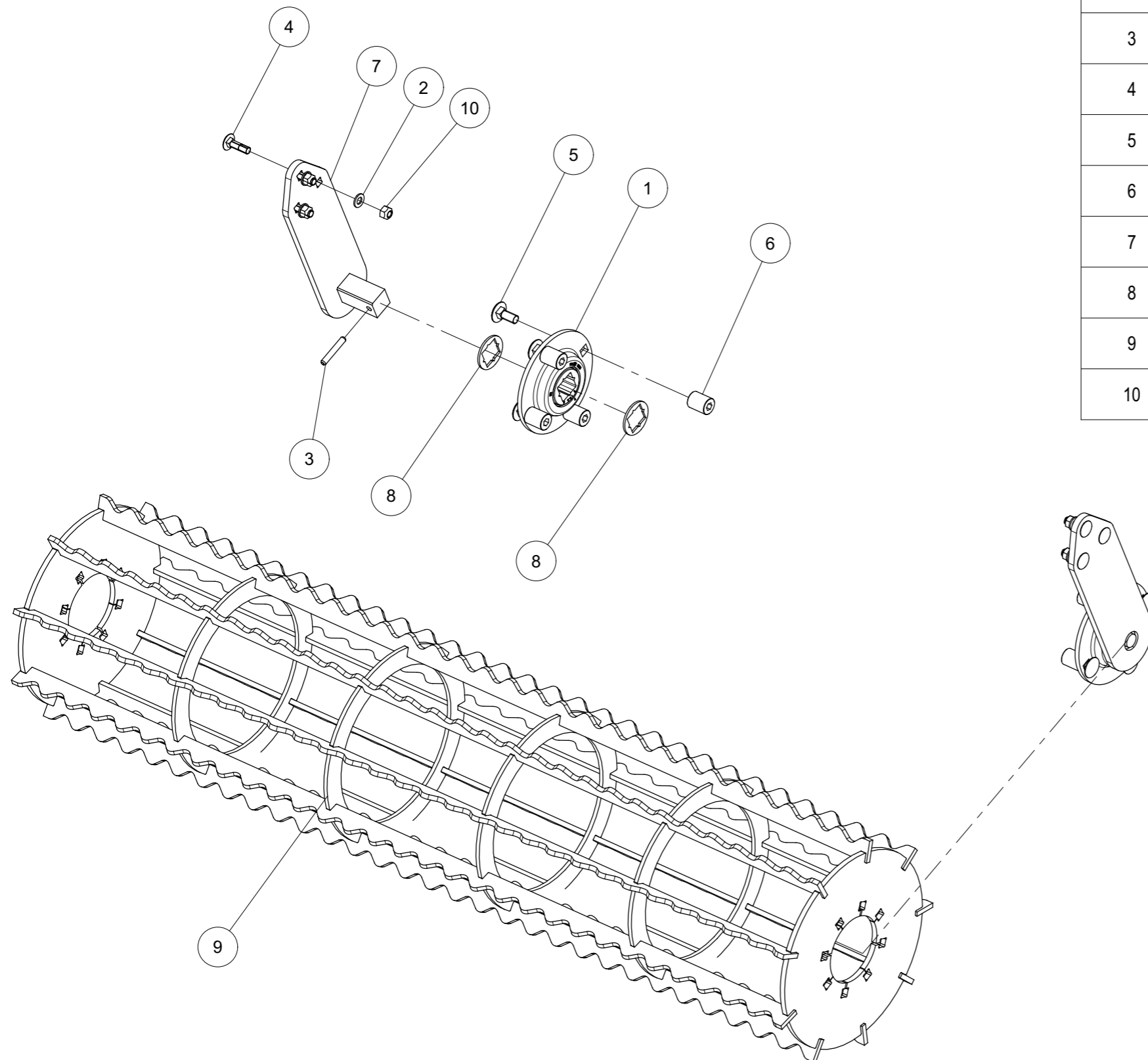




*Kit Rouleau denté pointu D330 TillXtrem*

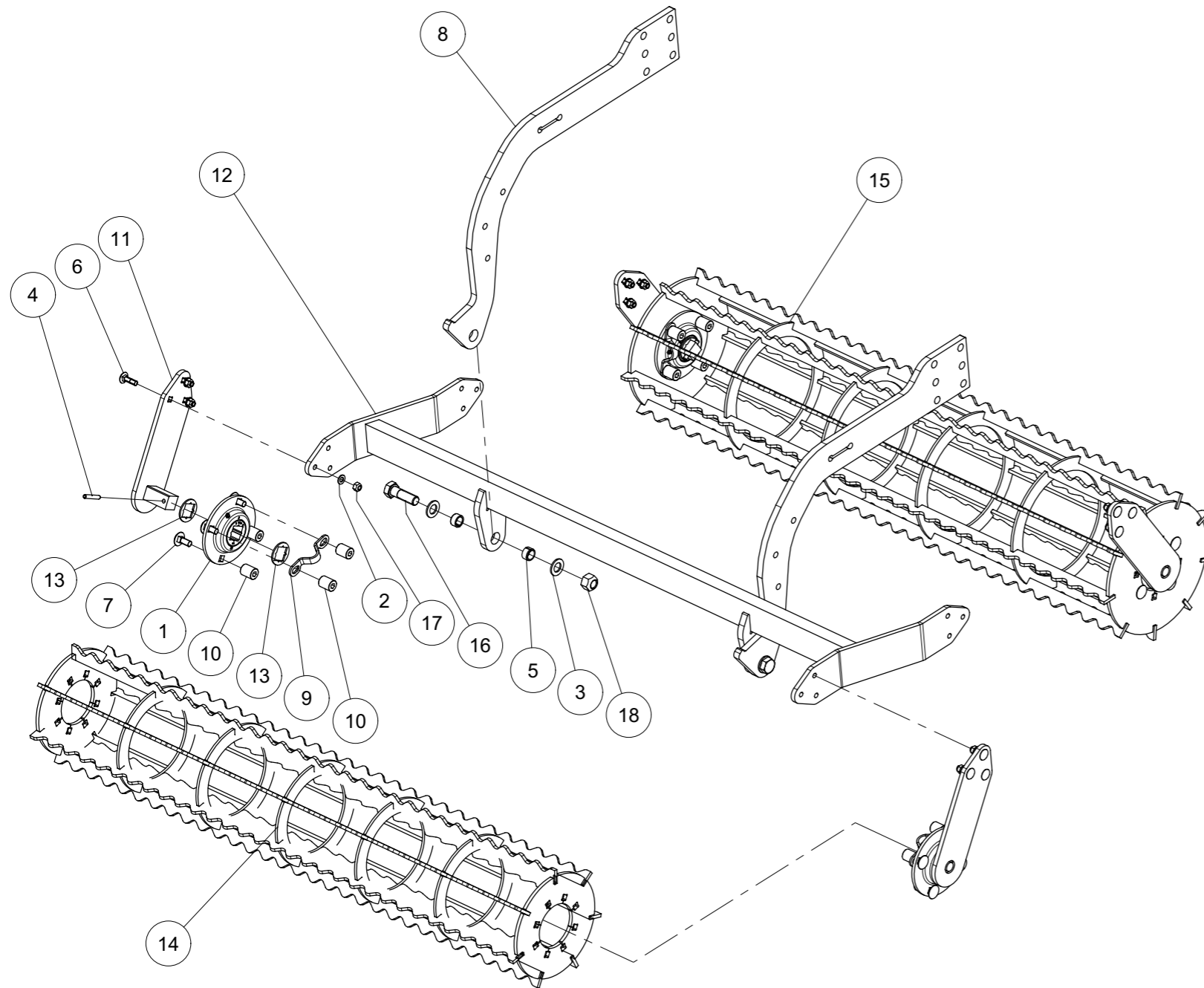
*Kit Pointed toothed roller D330 TillXtrem*

| Index | Quantity | Reference  | Designation   |
|-------|----------|------------|---|
| 1     | 2        | 6 300 938  | Palier 209 C30 TillXtreme (BTE938)<br>Bearing 209 C30 TillXtreme (BTE938) |
| 2     | 6        | 125DA10.5A | Rondelle A 10.5 ISO 7089 Zinguée<br>Washer A 10.5 ISO 7089 Zinc.          |
| 3     | 2        | 1481D850A  | Goupille elastique 8 X 50 ISO8752 Z<br>Spring Pin 8 X 50 ISO8752 Z        |
| 4     | 6        | 603D1035PA | Vis TRCC M10x35 ISO8677-8.8 ZNBL<br>Round-head bolt M10x35 ISO8677-8.8 Z  |
| 5     | 8        | 603D1230PA | Vis TRCC M12x30 ISO8677-8.8 ZNBL<br>Round-head bolt M12x30 ISO8677-8.8 Z  |
| 6     | 8        | 6812.25.15 | Ecrou spéciale M 12x30<br>Special nut M 12x30                             |
| 7     | 2        | 6812.25.34 | Bras de support SQ 30<br>Support arm SQ 30                                |
| 8     | 4        | 6812.25.92 | Rondelle de calage palier<br>Adjusting washer                             |
| 9     | 1        | 6812.27.81 | Rouleau denté pointu D330<br>Pointed toothed roller D330                  |
| 10    | 6        | 980DV10PA  | Ecrou M10 ZNBL 8.8<br>Nut M10 Zinc 8.8                                    |





*Rouleau denté pointu Re-Lube*  
*Pointed toothed roller Re-Lube*



| Index | Quantity | Reference   | Designation  |
|-------|----------|-------------|--|
| 1     | 4        | 6 300 939   | Palier 209 C30 ReLube (BTL939)<br>Bearing 209 C30 ReLube (BTL939)        |
| 2     | 12       | 125DA10.5A  | Rondelle A 10.5 ISO 7089 Zinguée<br>Washer A 10.5 ISO 7089 Zinc.         |
| 3     | 4        | 125DA21A    | Rondelle A 21 ISO7089 ZNBL<br>Washer A 21 ISO7089 Zinc.                  |
| 4     | 4        | 1481D850A   | Goupille elastique 8 X 50 ISO8752 Z<br>Spring Pin 8 X 50 ISO8752 Z       |
| 5     | 4        | 1498D202614 | Douille EG 20/26x14 DIN1498<br>Bush EG 20/26x14 DIN1498                  |
| 6     | 12       | 603D1035PA  | Vis TRCC M10x35 ISO8677-8.8 ZNBL<br>Round-head bolt M10x35 ISO8677-8.8 Z |
| 7     | 16       | 603D1230PA  | Vis TRCC M12x30 ISO8677-8.8 ZNBL<br>Round-head bolt M12x30 ISO8677-8.8 Z |
| 8     | 2        | 6258.23.39  | Levier<br>Lever  |
| 9     | 4        | 6812.25.08  | Protection de graisseurs<br>Grease nipple protection                     |
| 10    | 16       | 6812.25.15  | Ecrou spéciale M 12x30<br>Special nut M 12x30                            |
| 11    | 4        | 6812.25.34  | Bras de support SQ 30<br>Support arm SQ 30                               |
| 12    | 1        | 6812.25.67  | Porteur soudé<br>Welded carrier  |
| 13    | 8        | 6812.25.92  | Rondelle de calage palier<br>Adjusting washer                            |
| 14    | 1        | 6812.27.80  | Rouleau denté pointu D270<br>Pointed toothed roller D270                 |
| 15    | 1        | 6812.27.81  | Rouleau denté pointu D330<br>Pointed toothed roller D330                 |
| 16    | 2        | 931D2065NA  | Vis H M20 x 65 ZNBL 10.9<br>Hex. Screw M20 x 65 Zinc 10.9                |
| 17    | 12       | 980DV10PA   | Ecrou M10 ZNBL 8.8<br>Nut M10 Zinc 8.8                                   |
| 18    | 2        | 980DV20NA   | Ecrou M20 ZNBL 10.9<br>Nut M20 Zinc 10.9                                 |

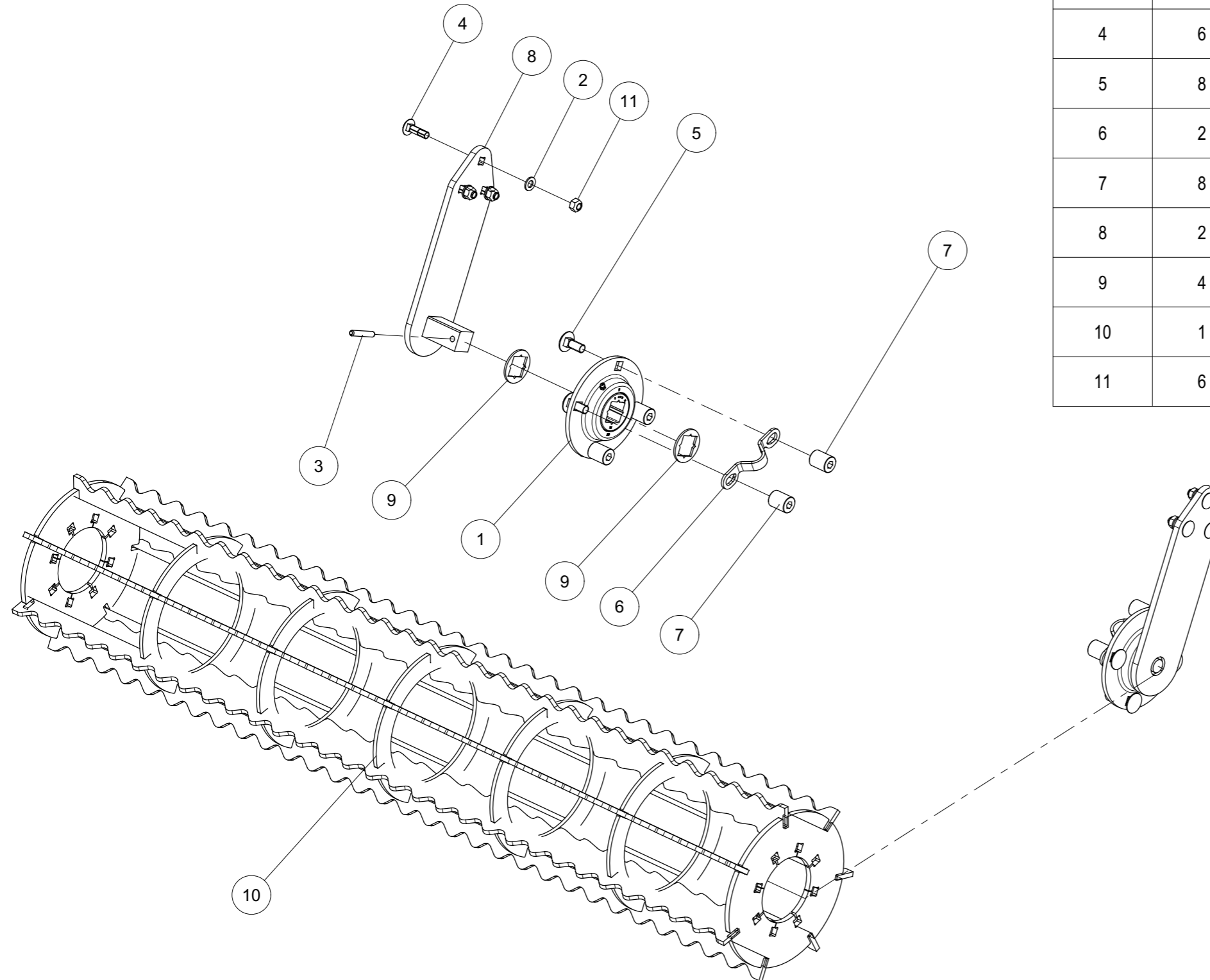




*Kit Rouleau denté pointu D270 Re-Lube*

*Kit Pointed toothed roller D270 Re-Lube*

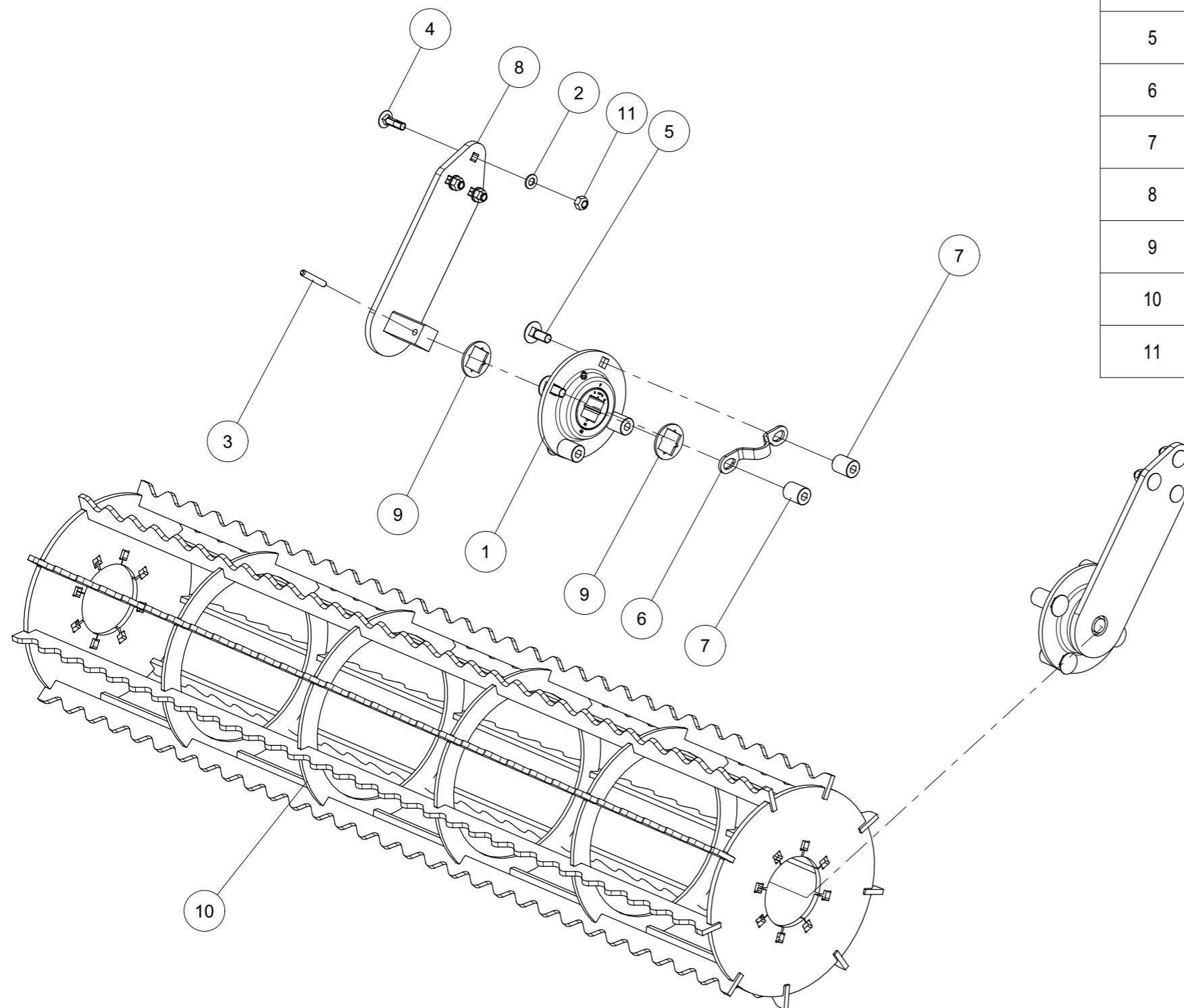
| Index | Quantity | Reference  | Designation  |
|-------|----------|------------|--|
| 1     | 2        | 6 300 939  | Palier 209 C30 ReLube (BTL939)<br>Bearing 209 C30 ReLube (BTL939)        |
| 2     | 6        | 125DA10.5A | Rondelle A 10.5 ISO 7089 Zinguée<br>Washer A 10.5 ISO 7089 Zinc.         |
| 3     | 2        | 1481D850A  | Goupille elastique 8 X 50 ISO8752 Z<br>Spring Pin 8 X 50 ISO8752 Z       |
| 4     | 6        | 603D1035PA | Vis TRCC M10x35 ISO8677-8.8 ZNBL<br>Round-head bolt M10x35 ISO8677-8.8 Z |
| 5     | 8        | 603D1230PA | Vis TRCC M12x30 ISO8677-8.8 ZNBL<br>Round-head bolt M12x30 ISO8677-8.8 Z |
| 6     | 2        | 6812.25.08 | Protection de graisseurs<br>Grease nipple protection                     |
| 7     | 8        | 6812.25.15 | Ecrou spéciale M 12x30<br>Special nut M 12x30                            |
| 8     | 2        | 6812.25.34 | Bras de support SQ 30<br>Support arm SQ 30                               |
| 9     | 4        | 6812.25.92 | Rondelle de calage palier<br>Adjusting washer                            |
| 10    | 1        | 6812.27.80 | Rouleau denté pointu D270<br>Pointed toothed roller D270                 |
| 11    | 6        | 980DV10PA  | Ecrou M10 ZNBL 8.8<br>Nut M10 Zinc 8.8                                   |





*Kit Rouleau denté pointu D330 Re-Lube*

*Kit Pointed toothed roller D330 Re-Lube*



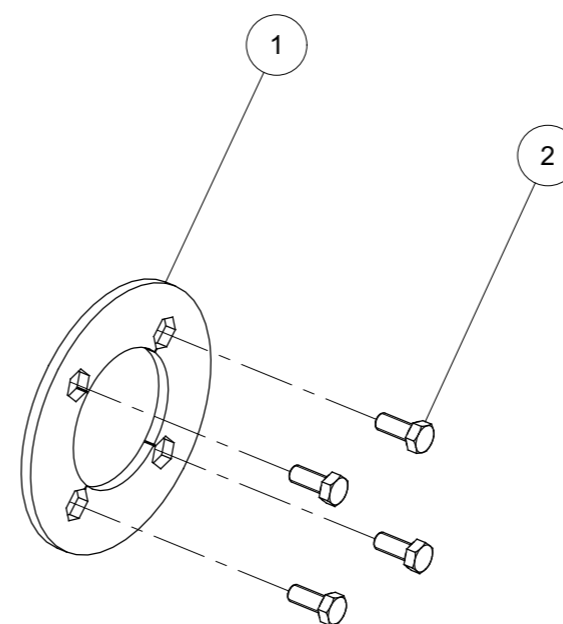
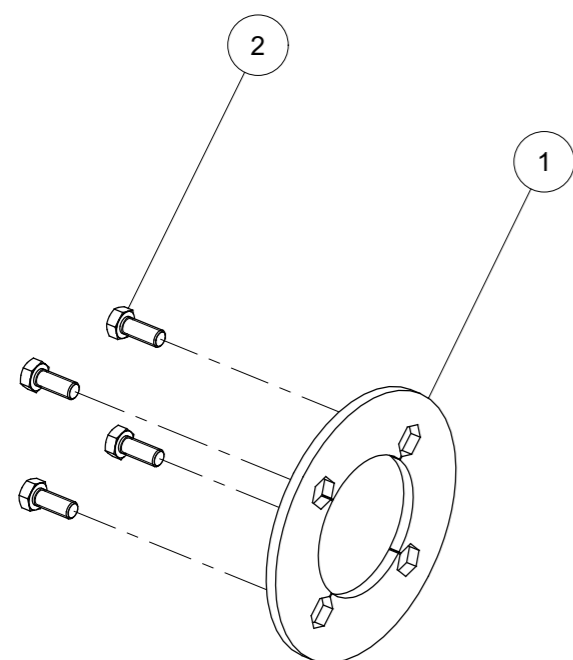
| Index | Quantity | Reference  | Designation  |
|-------|----------|------------|--|
| 1     | 2        | 6 300 939  | Palier 209 C30 ReLube (BTL939)<br>Bearing 209 C30 ReLube (BTL939)        |
| 2     | 6        | 125DA10.5A | Rondelle A 10.5 ISO 7089 Zinguée<br>Washer A 10.5 ISO 7089 Zinc.         |
| 3     | 2        | 1481D850A  | Goupille elastique 8 X 50 ISO8752 Z<br>Spring Pin 8 X 50 ISO8752 Z       |
| 4     | 6        | 603D1035PA | Vis TRCC M10x35 ISO8677-8.8 ZNBL<br>Round-head bolt M10x35 ISO8677-8.8 Z |
| 5     | 8        | 603D1230PA | Vis TRCC M12x30 ISO8677-8.8 ZNBL<br>Round-head bolt M12x30 ISO8677-8.8 Z |
| 6     | 2        | 6812.25.08 | Protection de graisseurs<br>Grease nipple protection                     |
| 7     | 8        | 6812.25.15 | Ecrou spéciale M 12x30<br>Special nut M 12x30                            |
| 8     | 2        | 6812.25.34 | Bras de support SQ 30<br>Support arm SQ 30                               |
| 9     | 4        | 6812.25.92 | Rondelle de calage palier<br>Adjusting washer                            |
| 10    | 1        | 6812.27.81 | Rouleau denté pointu D330<br>Pointed toothed roller D330                 |
| 11    | 6        | 980DV10PA  | Ecrou M10 ZNBL 8.8<br>Nut M10 Zinc 8.8                                   |



*Set de couverture 6-kt. 270/190*

*Set Cover Steel 6-kt. 270/190*

| Index | Quantity | Reference  | Designation   |
|-------|----------|------------|---|
| 1     | 2        | 6812.27.58 | Anneau de soudage D190 6-kt.SW19 (D270)<br>Welding ring D190 6-kt.SW19 (D270) |
| 2     | 8        | VI 29 04   | Vis H M12x 30 - 8.8 ZNBL<br>Screw H M12x 30 - 8.8 ZNBL                        |

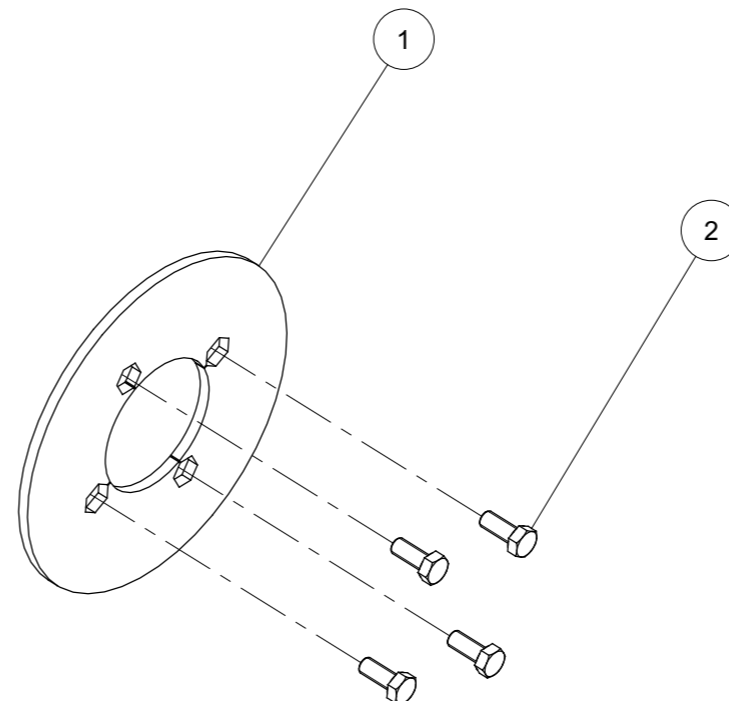
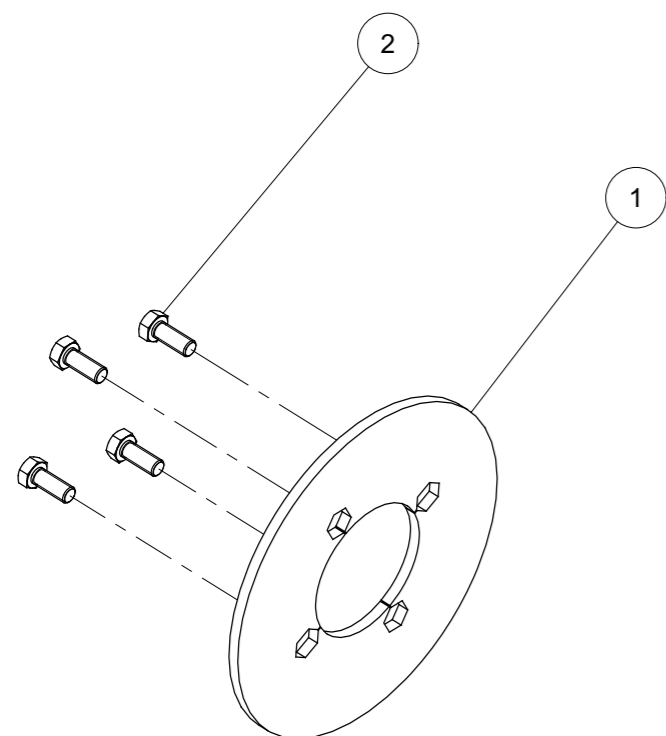




*Set de couverture en acier 6-kt. 330/250*

*Set Cover Steel 6-kt. 330/250*

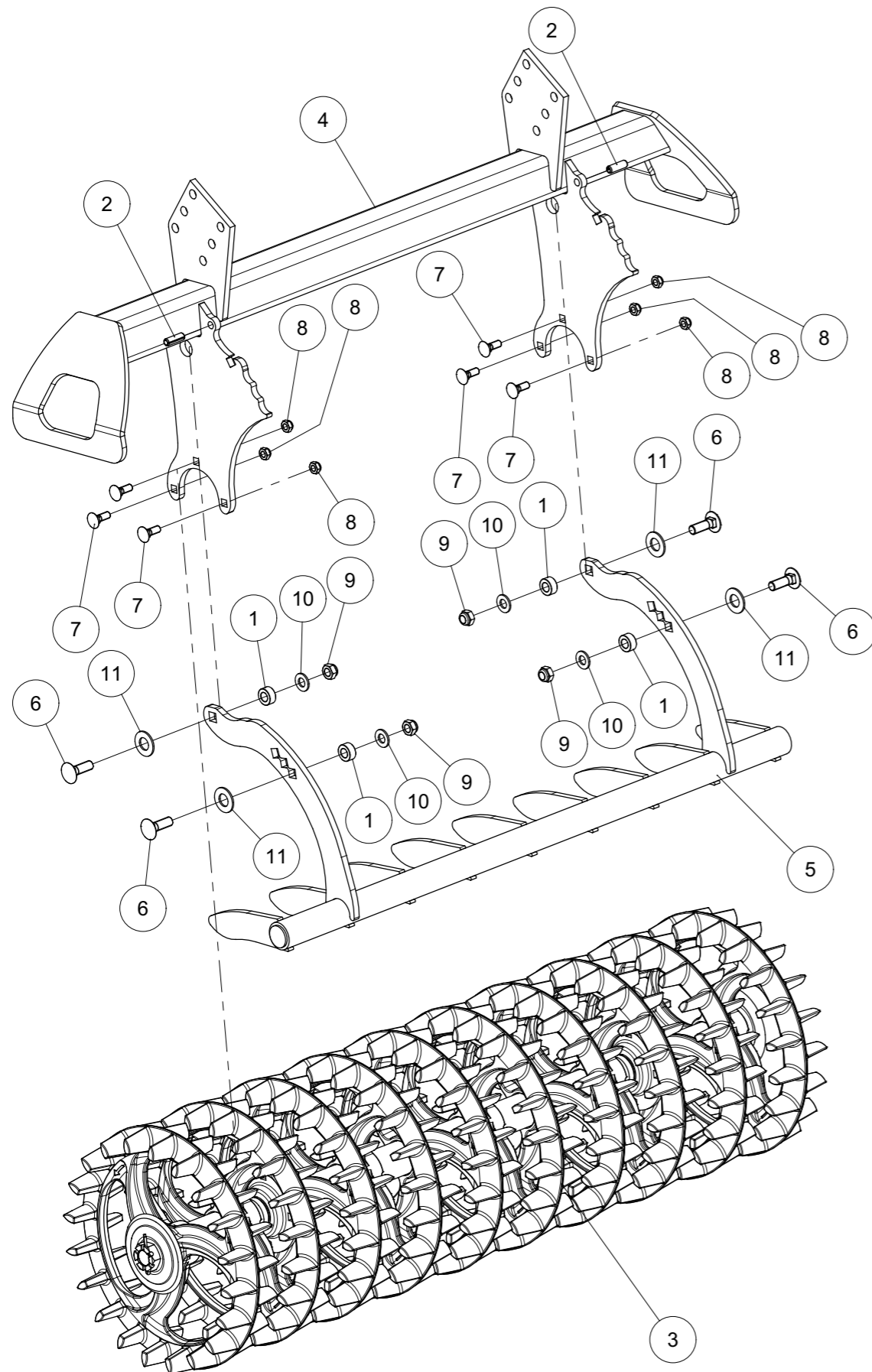
| Index | Quantity | Reference  | Designation   |
|-------|----------|------------|---|
| 1     | 2        | 6812.27.65 | Anneau de soudage D250 6-kt. SW19 (D330)<br>Welding ring D250 6-kt. SW19 (D330) |
| 2     | 8        | VI 29 04   | Vis H M12x 30 - 8.8 ZNBL<br>Screw H M12x 30 - 8.8 ZNBL                          |





*Rouleau crosskill 1,50m cpl.*

*Crosskill roller 1,50m cpl.*



| Index | Quantity | Reference  | Designation  |
|-------|----------|------------|--|
| 1     | 4        | 6 870 267  | Douille butée de décrotoirs<br>Abutment scrapers sleeve              |
| 2     | 2        | 1481D1340A | Goupille elastique 13 X 40 ISO8752 Z<br>Spring Pin 13 X 40 ISO8752 Z |
| 3     | 1        | 6808.21.01 | Rouleau Croskill 1.5m - 10 roues<br>Crosskill Roller - 10 Wheels     |
| 4     | 1        | 6808.21.02 | Porte-rouleau soudé<br>Roller holder welded                          |
| 5     | 1        | 6808.21.10 | Decrotoir Croskill aile gauche<br>Scrapper bar                       |
| 6     | 4        | M 260 016  | Vis TRCC M16x50<br>Screw TRCC M16x50                                 |
| 7     | 6        | VI 16 20   | Vis TRCC M12x 35 - 8.8 ZNBL<br>Cup square neck M12x 35 - 8.8 ZNBL    |
| 8     | 6        | VJ 322     | Ecrou frein std H M 12 - 8 ZNBL<br>Nyloc nut std H M 12 - 8 ZNBL     |
| 9     | 4        | VJ 324     | Ecrou frein std H M 16 - 8 ZNBL<br>Nyloc nut std H M 16 - 8 ZNBL     |
| 10    | 4        | VK 506     | Rondelle plate MU16 ZNBL<br>Flat washer MU16 ZNBL                    |
| 11    | 4        | VK 509     | Rondelle plate MU22 ZNBL<br>Flat washer MU22 ZNBL                    |

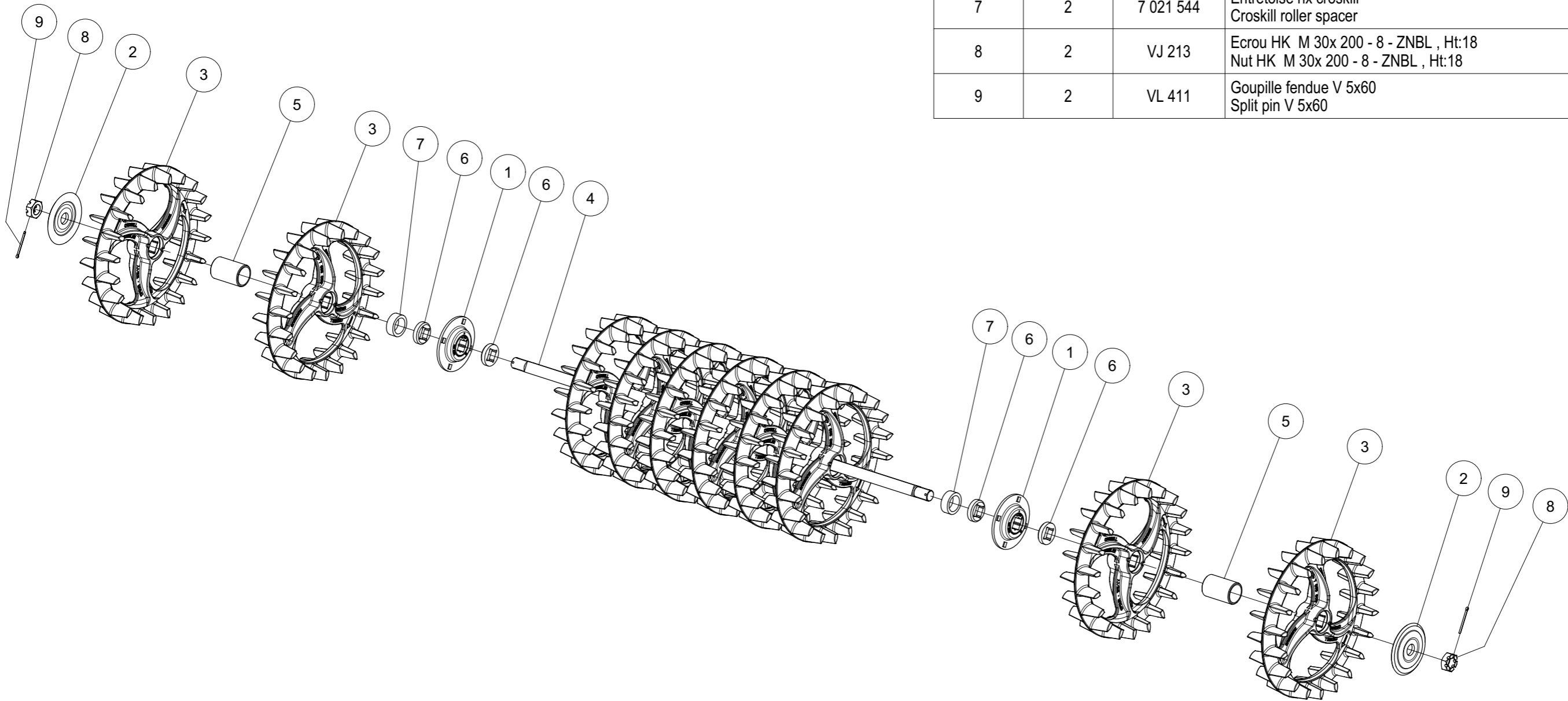




*Rouleau Croskill 1.5m - 10 roues*

*Crosskill Roller - 10 Wheels*

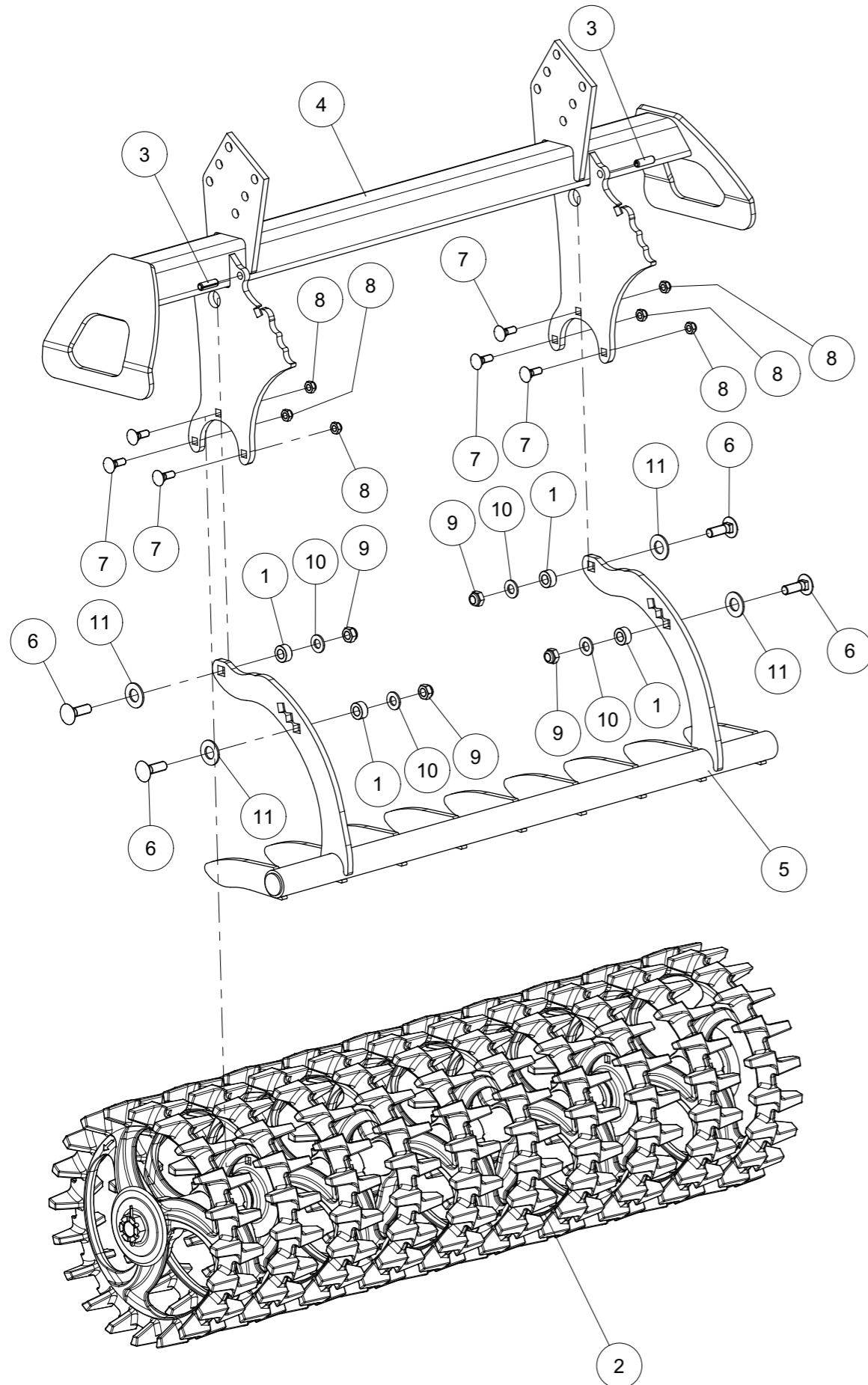
| Index | Quantity | Reference | Designation  |
|-------|----------|-----------|--|
| 1     | 2        | 6 300 938 | Palier 209 C30 TillXtreme (BTE938)<br>Bearing 209 C30 TillXtreme (BTE938)    |
| 2     | 2        | 6 432 654 | Rondelle rattrapage jeu Ø144<br>Tighten up washer Ø144                       |
| 3     | 10       | 7 005 009 | Croskill Crumbler<br>Croskill Crumbler                                       |
| 4     | 1        | 7 021 013 | Arbre C30 10 roues<br>Shaft C30 10 wheels                                    |
| 5     | 7        | 7 021 014 | Entretoise rlx croskill<br>Croskill roller spacer                            |
| 6     | 4        | 7 021 543 | Rondelle de palier (15mm)<br>Bearing washer (15mm)                           |
| 7     | 2        | 7 021 544 | Entretoise rlx croskill<br>Croskill roller spacer                            |
| 8     | 2        | VJ 213    | Ecrou HK M 30x 200 - 8 - ZNBL , Ht:18<br>Nut HK M 30x 200 - 8 - ZNBL , Ht:18 |
| 9     | 2        | VL 411    | Goupille fendue V 5x60<br>Split pin V 5x60                                   |





*Rouleau Crosskill plat cpl.*

*Nocking roller 1.50m cpl.*



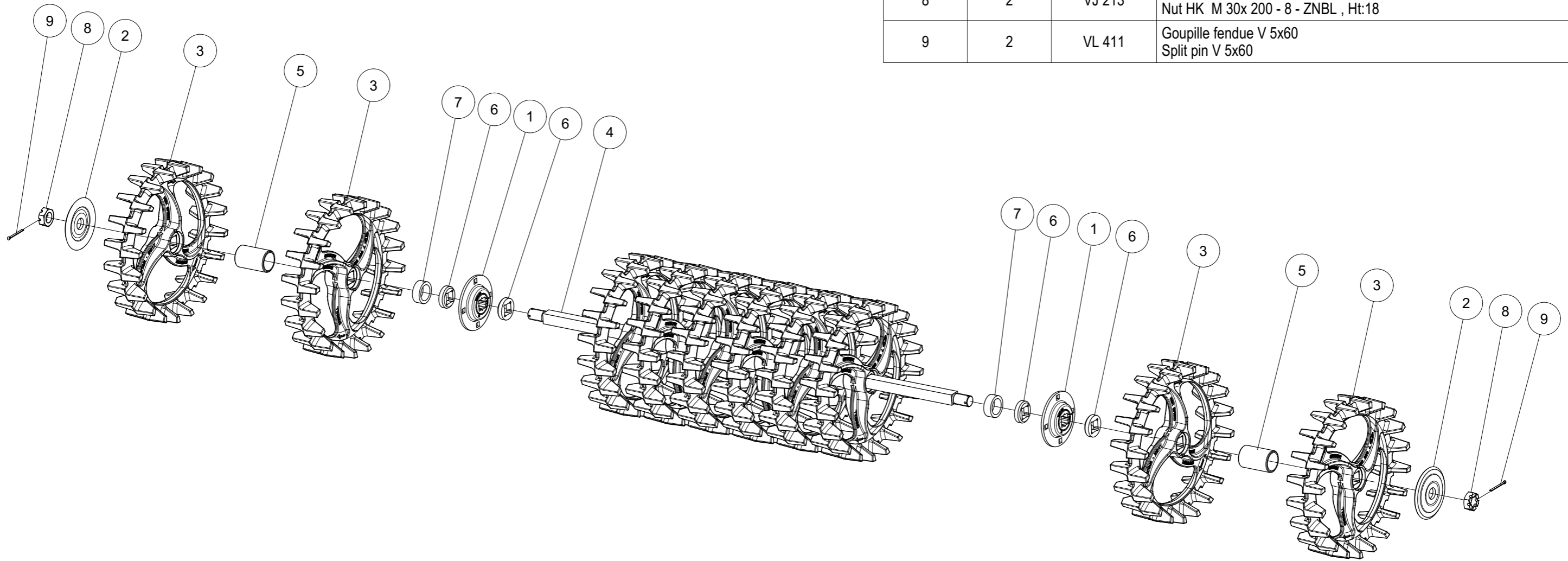
| Index | Quantity | Reference  | Designation   |
|-------|----------|------------|---|
| 1     | 4        | 6 870 267  | Douille butée de décrotoirs<br>Abutment scrapers sleeve               |
| 2     | 1        | 7 021 017  | Rlx Croskill Hi. 1.50m - 10 roues<br>Nocking roller 1.50m - 10 wheels |
| 3     | 2        | 1481D1340A | Goupille elastique 13 X 40 ISO8752 Z<br>Spring Pin 13 X 40 ISO8752 Z  |
| 4     | 1        | 6808.21.02 | Porte-rouleau soudé<br>Roller holder welded                           |
| 5     | 1        | 6808.21.10 | Decrotoir Croskill aile gauche<br>Scrapper bar                        |
| 6     | 4        | M 260 016  | Vis TRCC M16x50<br>Screw TRCC M16x50                                  |
| 7     | 6        | VI 16 20   | Vis TRCC M12x 35 - 8.8 ZNBL<br>Cup square neck M12x 35 - 8.8 ZNBL     |
| 8     | 6        | VJ 322     | Ecrou frein std H M 12 - 8 ZNBL<br>Nyloc nut std H M 12 - 8 ZNBL      |
| 9     | 4        | VJ 324     | Ecrou frein std H M 16 - 8 ZNBL<br>Nyloc nut std H M 16 - 8 ZNBL      |
| 10    | 4        | VK 506     | Rondelle plate MU16 ZNBL<br>Flat washer MU16 ZNBL                     |
| 11    | 4        | VK 509     | Rondelle plate MU22 ZNBL<br>Flat washer MU22 ZNBL                     |





*Rlx Croskill Hi. 1.50m - 10 roues*  
*Nockering roller 1.50m - 10 wheels*

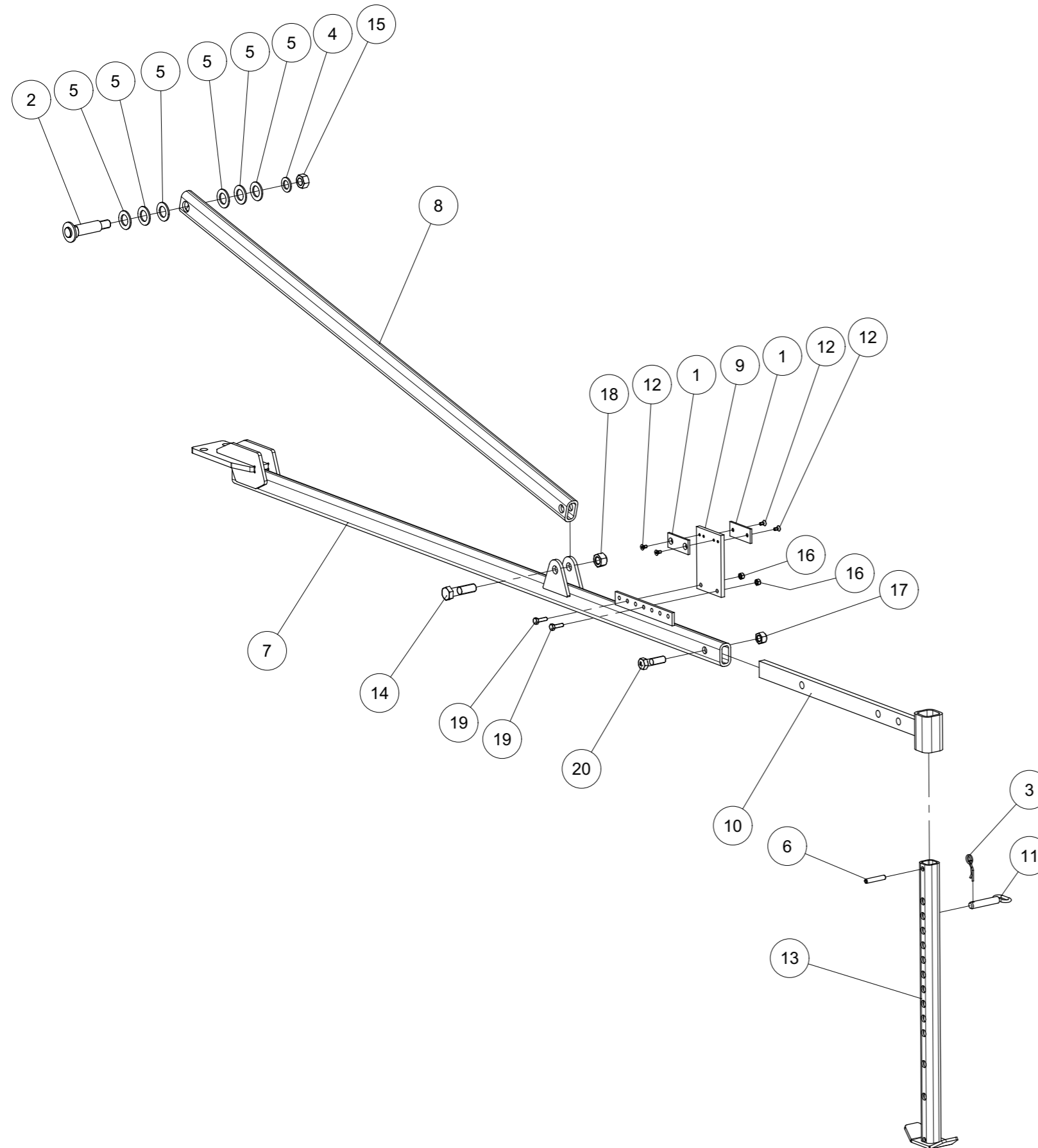
| Index | Quantity | Reference | Designation  |
|-------|----------|-----------|--|
| 1     | 2        | 6 300 938 | Palier 209 C30 TillXtreme (BTE938)<br>Bearing 209 C30 TillXtreme (BTE938)    |
| 2     | 2        | 6 432 654 | Rondelle rattrapage jeu Ø144<br>Tighten up washer Ø144                       |
| 3     | 10       | 7 005 010 | Croskill High Speed<br>Croskill High Speed                                   |
| 4     | 1        | 7 021 013 | Arbre C30 10 roues<br>Shaft C30 10 wheels                                    |
| 5     | 7        | 7 021 014 | Entretoise rlx croskill<br>Croskill roller spacer                            |
| 6     | 4        | 7 021 543 | Rondelle de palier (15mm)<br>Bearing washer (15mm)                           |
| 7     | 2        | 7 021 544 | Entretoise rlx croskill<br>Croskill roller spacer                            |
| 8     | 2        | VJ 213    | Ecrou HK M 30x 200 - 8 - ZNBL , Ht:18<br>Nut HK M 30x 200 - 8 - ZNBL , Ht:18 |
| 9     | 2        | VL 411    | Goupille fendue V 5x60<br>Split pin V 5x60                                   |





*Support de stationnement arrière cpl.*

*Rear parking support cpl.*

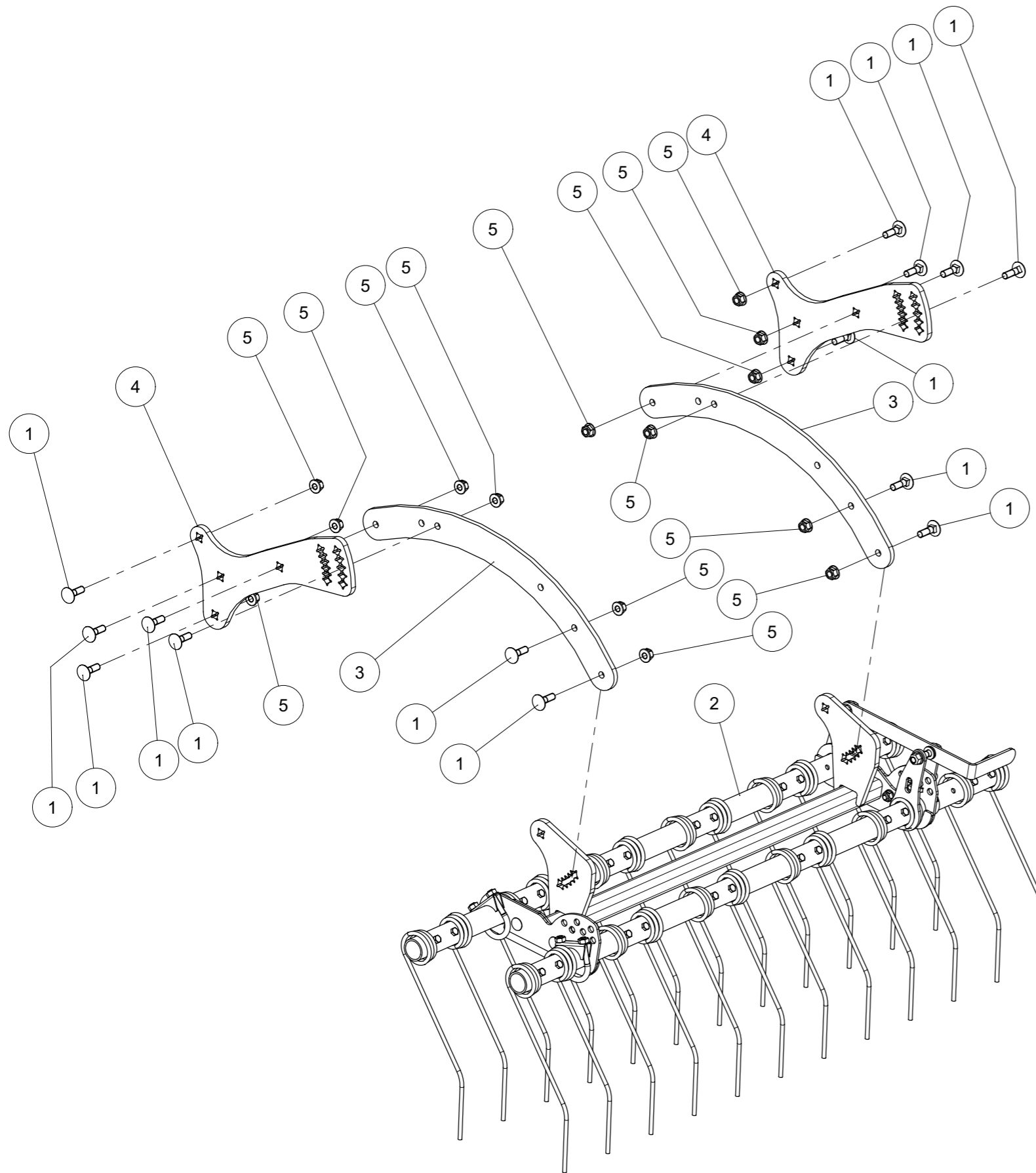


| Index | Quantity | Reference   | Designation  |
|-------|----------|-------------|--|
| 1     | 2        | 1 118 977 U | Plaque plastique - 6x44x100<br>Plastic plate - 6x44x100                |
| 2     | 1        | 1100.02.05  | Boulon<br>Bolt   |
| 3     | 1        | 11024D4A    | Goupille Beta<br>Spring plug Stock                                     |
| 4     | 1        | 126D26A     | Rondelle 26 ISO7091 ZNBL<br>Washer 26 ISO7091 ZNBL                     |
| 5     | 6        | 126D33A     | Rondelle 33 ISO7091 ZNBL<br>Washer 33 ISO7091 ZNBL                     |
| 6     | 1        | 1481D1370A  | Goupille elastique 13 X 70 ISO8752 Z<br>Spring Pin 13 X 70 ISO8752 Z   |
| 7     | 1        | 6258.21.01  | Bôme soudé<br>Welded boom  |
| 8     | 1        | 6258.21.06  | Étai<br>Strut  |
| 9     | 1        | 6258.21.09  | Plaque<br>Plate  |
| 10    | 1        | 6258.21.10  | Poutre de support soudée<br>Support beam welded                        |
| 11    | 1        | 7212.05.00  | Broche D20-90<br>Pin D20-90  |
| 12    | 4        | 7991D816PA  | Vis FHc M 8x16 ISO10642-8.8 ZNBL<br>Screw FHc M 8x16 ISO10642-8.8 ZNBL |
| 13    | 1        | 8431.31.07  | Support soudé<br>Bracket welded  |
| 14    | 1        | 931D2490P   | Vis H M24 x 90 Noire 8.8<br>Hex. Screw M24 x 90 Black 8.8              |
| 15    | 1        | 934D2415PA  | Ecrou std H M24 - pas 150 Zingue<br>Nut std H M24 - thread 150 Zingue  |
| 16    | 2        | 980DV10PA   | Ecrou M10 ZNBL 8.8<br>Nut M10 Zinc 8.8                                 |
| 17    | 1        | 980DV20PA   | Ecrou M20 ZNBL 8.8<br>Nut M20 Zinc 8.8                                 |
| 18    | 1        | 980DV24PA   | Ecrou M24 ZNBL 8.8<br>Nut M24 Zinc 8.8                                 |
| 19    | 2        | VI 28 05    | Vis H M10x 35 - 8.8 ZNBL<br>Screw H M10x 35 - 8.8 ZNBL                 |
| 20    | 1        | VI 33 06    | Vis H M20x 70 - 8.8 ZNBL<br>Screw H M20x 70 - 8.8 ZNBL                 |



*Herse L 2 Rh. Ø 7 Mont.*

*Harrow L 2 Rh. Ø 7 Mont.*

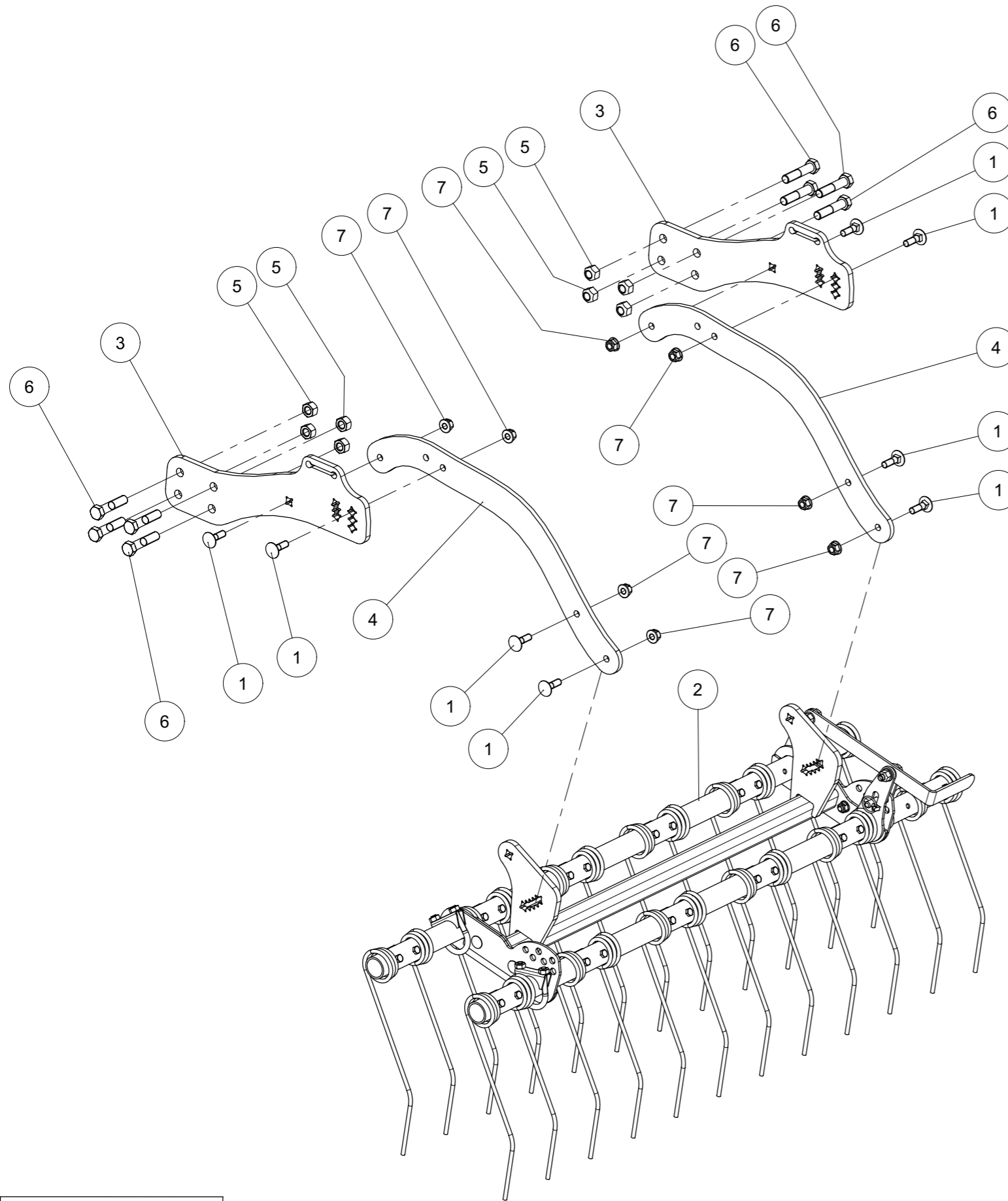


| Index | Quantity | Reference  | Designation  |
|-------|----------|------------|--|
| 1     | 14       | 603D1240PA | Vis TRCC M12x40 ISO8677-8.8 ZNBL<br>Round-head bolt M12x40 ISO8677-8.8 Z |
| 2     | 1        | 6258.23.02 | Herse Ø 7 pré-montée<br>Harrow Ø 7 pre-assembled                         |
| 3     | 2        | 6258.23.28 | Guidon-L<br>Handlebars-L   |
| 4     | 2        | 6258.23.41 | Bras porteu-L<br>Bearing arm-L   |
| 5     | 14       | VJ 157     | Ecrou HEFR M12 emb. S.Lock Cl.10<br>HEFR M12 Flg nut Gr.10 ZNBL          |



*Herse 2-rangées cpl.*

*Harrow 2-rows cpl.*

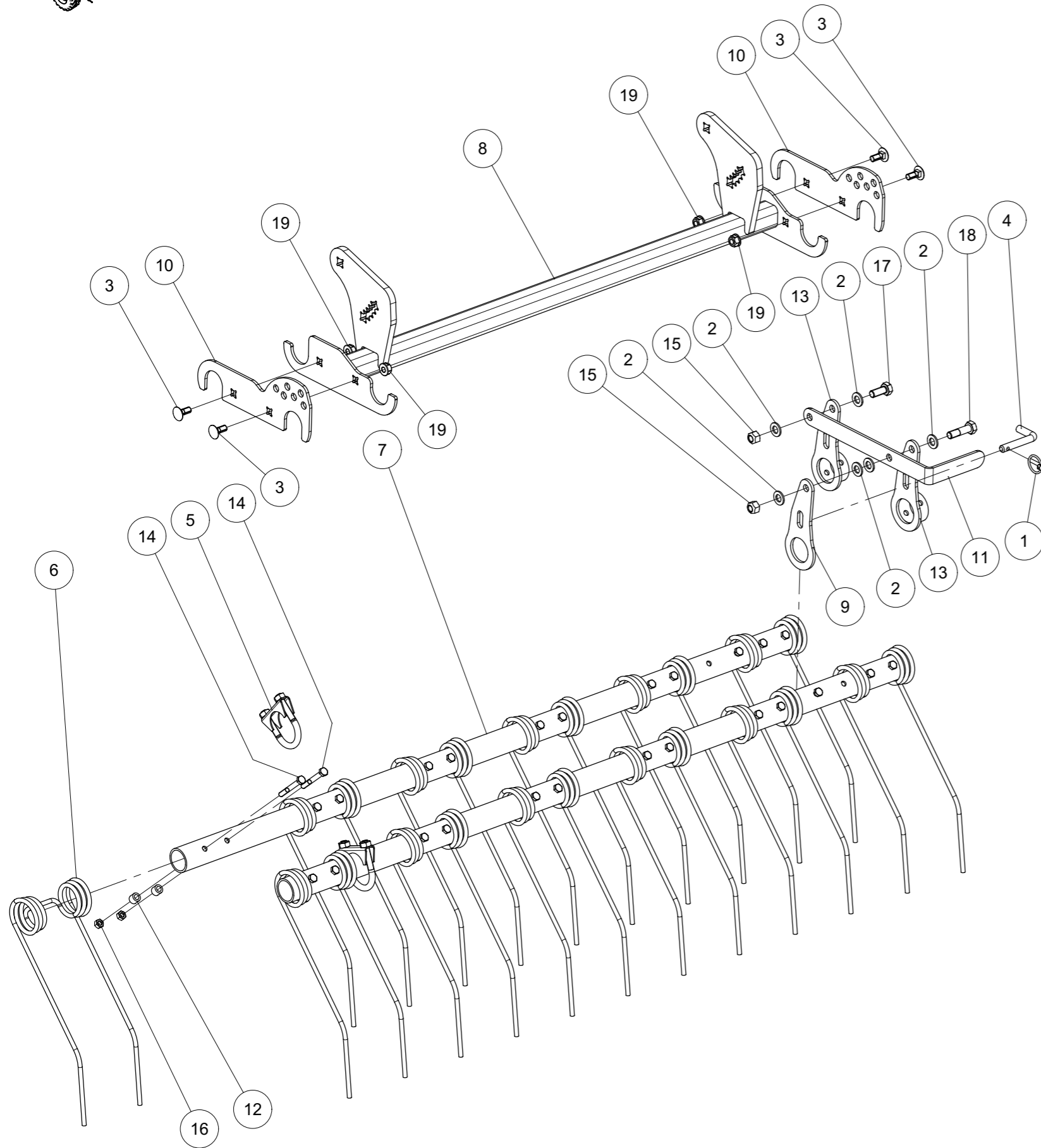


| Index | Quantity | Reference  | Designation  |
|-------|----------|------------|--|
| 1     | 8        | 603D1240PA | Vis TRCC M12x40 ISO8677-8.8 ZNBL<br>Round-head bolt M12x40 ISO8677-8.8 Z |
| 2     | 1        | 6258.23.02 | Herse $\varnothing$ 7 pré-montée<br>Harrow $\varnothing$ 7 pre-assembled |
| 3     | 2        | 6258.23.45 | Bras<br>Arm  |
| 4     | 2        | 6258.23.46 | Guidon<br>Handlebars   |
| 5     | 8        | 980DV16PA  | Ecrou M16 ZNBL 8.8<br>Nut M16 Zinc 8.8                                   |
| 6     | 8        | VI 31 32   | Vis H M16x 75 - 8.8 ZNBL<br>Screw H M16x 75 - 8.8 ZNBL                   |
| 7     | 8        | VJ 157     | Ecrou HEFR M12 emb. S.Lock Cl.10<br>HEFR M12 Flg nut Gr.10 ZNBL          |





*Herse Ø 7 pré-montée*  
*Harrow Ø 7 pre-assembled*

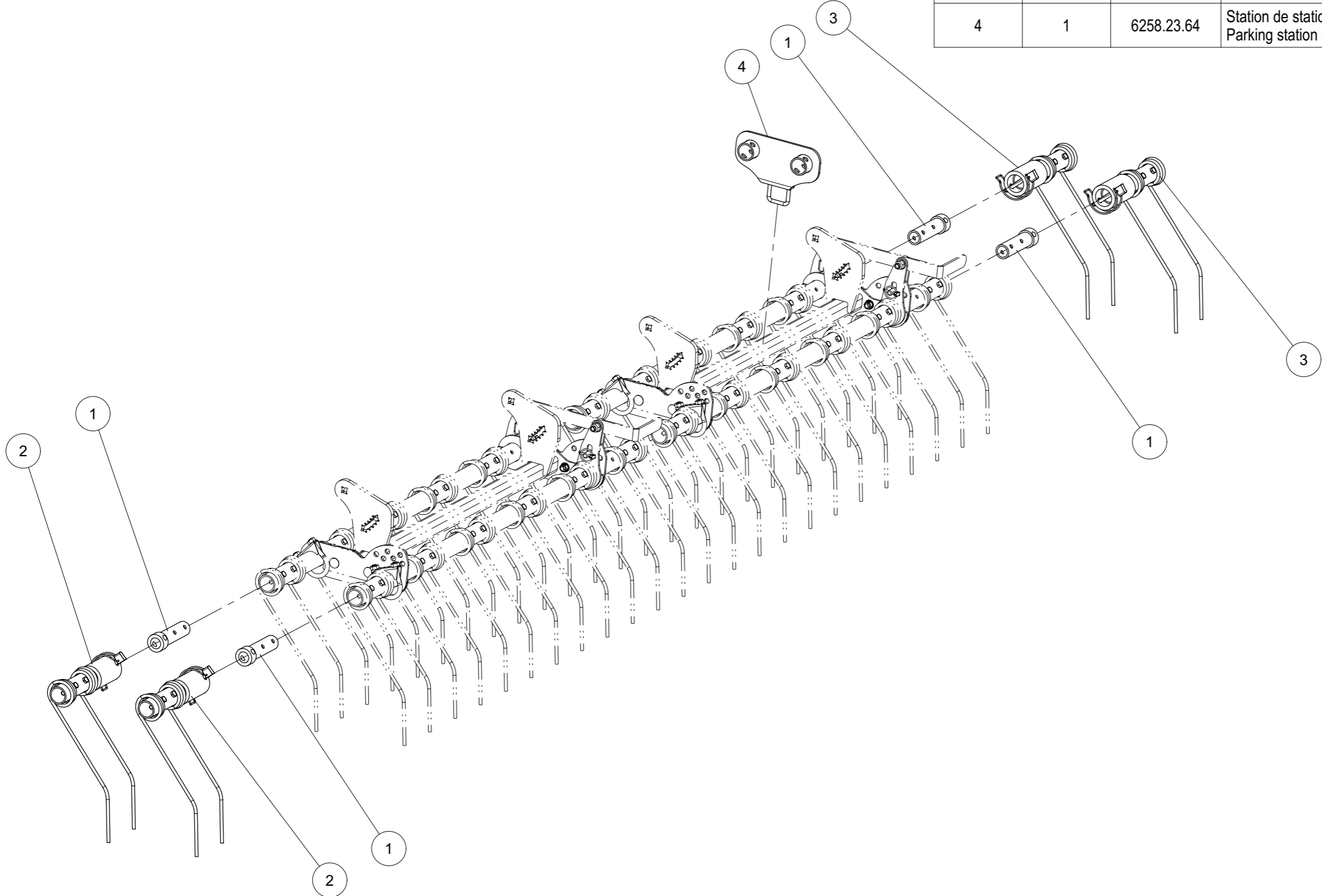


| Index | Quantity | Reference  | Designation   |
|-------|----------|------------|---|
| 1     | 1        | 11023D532A | Goupille "Clips" Dia 5 Z<br>Lynch pin Dia5  |
| 2     | 6        | 125DA13A   | Rondelle A 13 ISO7089 ZNBL<br>Washer A 13 ISO7089 Zinc.                               |
| 3     | 4        | 603D1025PA | Vis TRCC M10x25 ISO8677-8.8 ZNBL<br>Round-head bolt M10x25 ISO8677-8.8 Z              |
| 4     | 1        | 6241.29.02 | Axe TB-12x50<br>Pin TB-12x50  |
| 5     | 2        | 6258.22.16 | Collier de serrage<br>Pipe clamp  |
| 6     | 12       | 6258.23.10 | Dents de herse D7<br>Harrow tines   |
| 7     | 2        | 6258.23.20 | Tube de herse<br>Harrow tine support tube   |
| 8     | 1        | 6258.23.22 | Cadre support soudé<br>Welded supporting frame  |
| 9     | 1        | 6258.23.25 | Rabat pivotant<br>Swivel flap   |
| 10    | 2        | 6258.23.26 | Plaque de retenue<br>Retaining plate  |
| 11    | 1        | 6258.23.30 | Levier de réglage<br>Adjusting lever  |
| 12    | 24       | 6258.23.35 | Bague de butée<br>stopper   |
| 13    | 2        | 6258.23.36 | Rabat pivotant soudé<br>Swivel flap welded  |
| 14    | 26       | 931D865PA  | Vis H M8 x 65 ZNBL 8.8<br>Hex. Screw M8 x 65 Zinc 8.8                                 |
| 15    | 2        | 980DV12PA  | Ecrou M12 ZNBL 8.8<br>Nut M12 Zinc 8.8  |
| 16    | 26       | 980DV8PA   | Ecrou M8 ZNBL 8.8<br>Nut M8 Zinc 8.8  |
| 17    | 1        | VI 29 04   | Vis H M12x 30 - 8.8 ZNBL<br>Screw H M12x 30 - 8.8 ZNBL                                |
| 18    | 1        | VI 29 09   | Vis H M12x 45 - 10.9 ZNBL, filet /20 mm<br>Screw H M12x 45 - 10.9 ZNBL, thread /20 mm |
| 19    | 4        | VJ 141     | Ecrou HEFR M10 emb. S.Lock Cl.10<br>HEFR M10 Flg nut Gr.10 ZNBL                       |



*Frontiér herse D7 cpl.*  
*Tine harrow border D7 cpl.*

| Index | Quantity | Reference  | Designation  |
|-------|----------|------------|--|
| 1     | 4        | 6258.23.58 | Adaptateur<br>Adapter                                      |
| 2     | 2        | 6258.23.62 | Élargi à gauche<br>Widened to the left                     |
| 3     | 2        | 6258.23.63 | Élargi à droite<br>Widened to the right                    |
| 4     | 1        | 6258.23.64 | Station de stationnement montée<br>Parking station mounted |

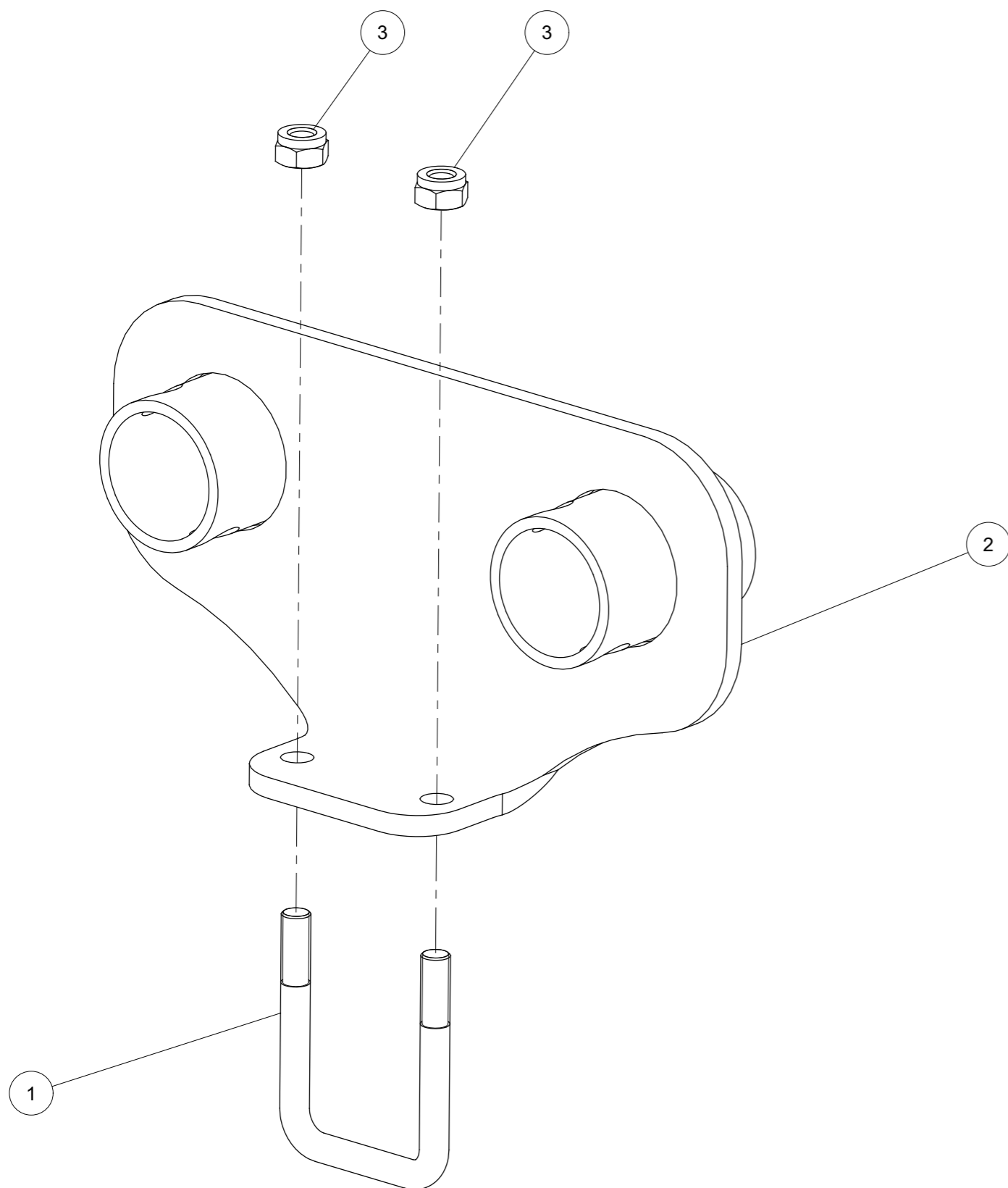


6258.23.75 (1/1)



*Station de stationnement montée*  
*Parking station mounted*

| Index | Quantity | Reference  | Designation  |
|-------|----------|------------|--|
| 1     | 1        | 6103.11.28 | Bride MC-8x50x65<br>Cross section MC-8x50x65         |
| 2     | 1        | 6258.23.65 | Support soudé<br>Welded carrier                      |
| 3     | 2        | 985D8PA    | Ecrou HFR M8 ISO10511-8 Z<br>Nut HFR M8 ISO10511-8 Z |

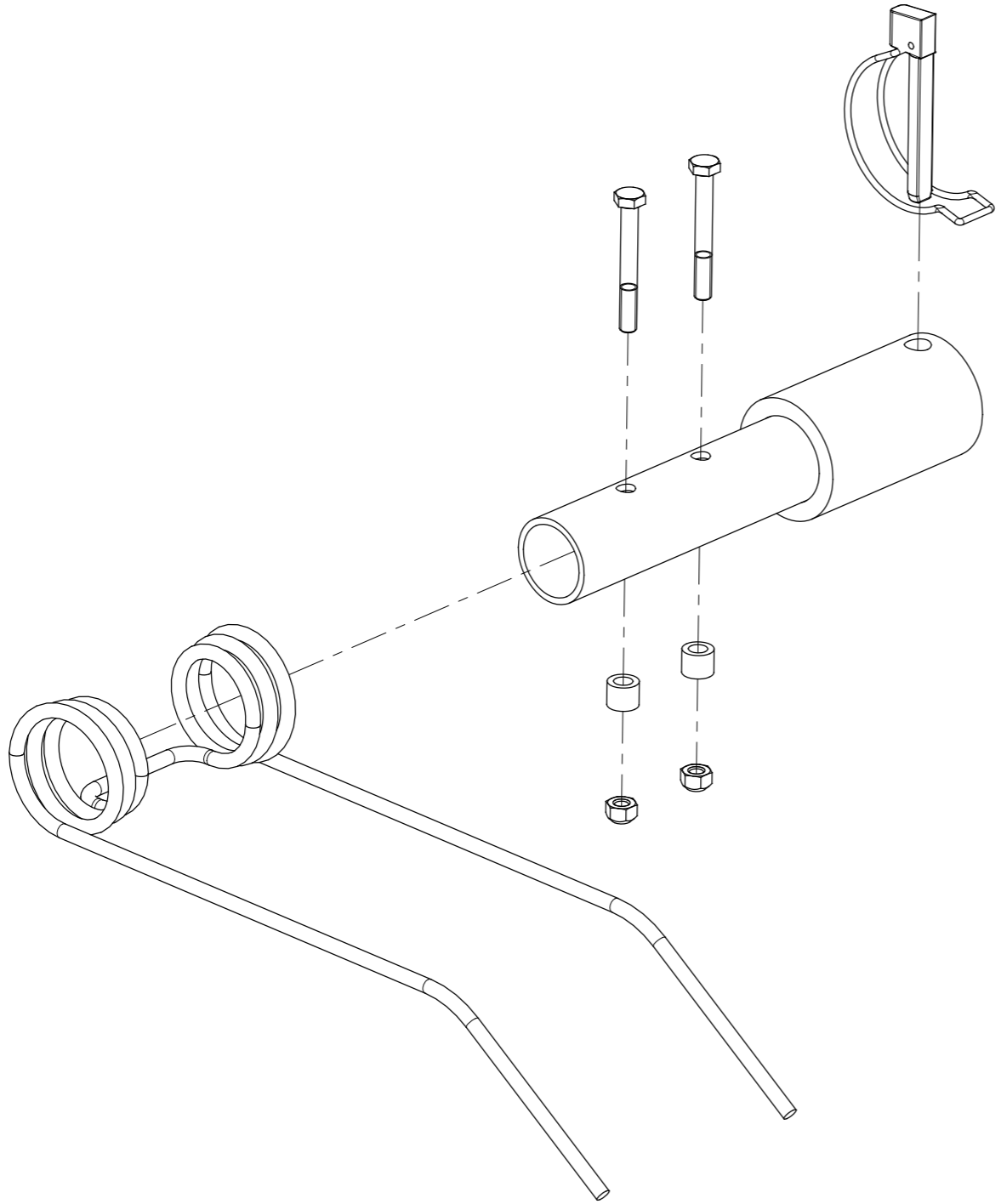






*Élargi à gauche*  
*Widened to the left*

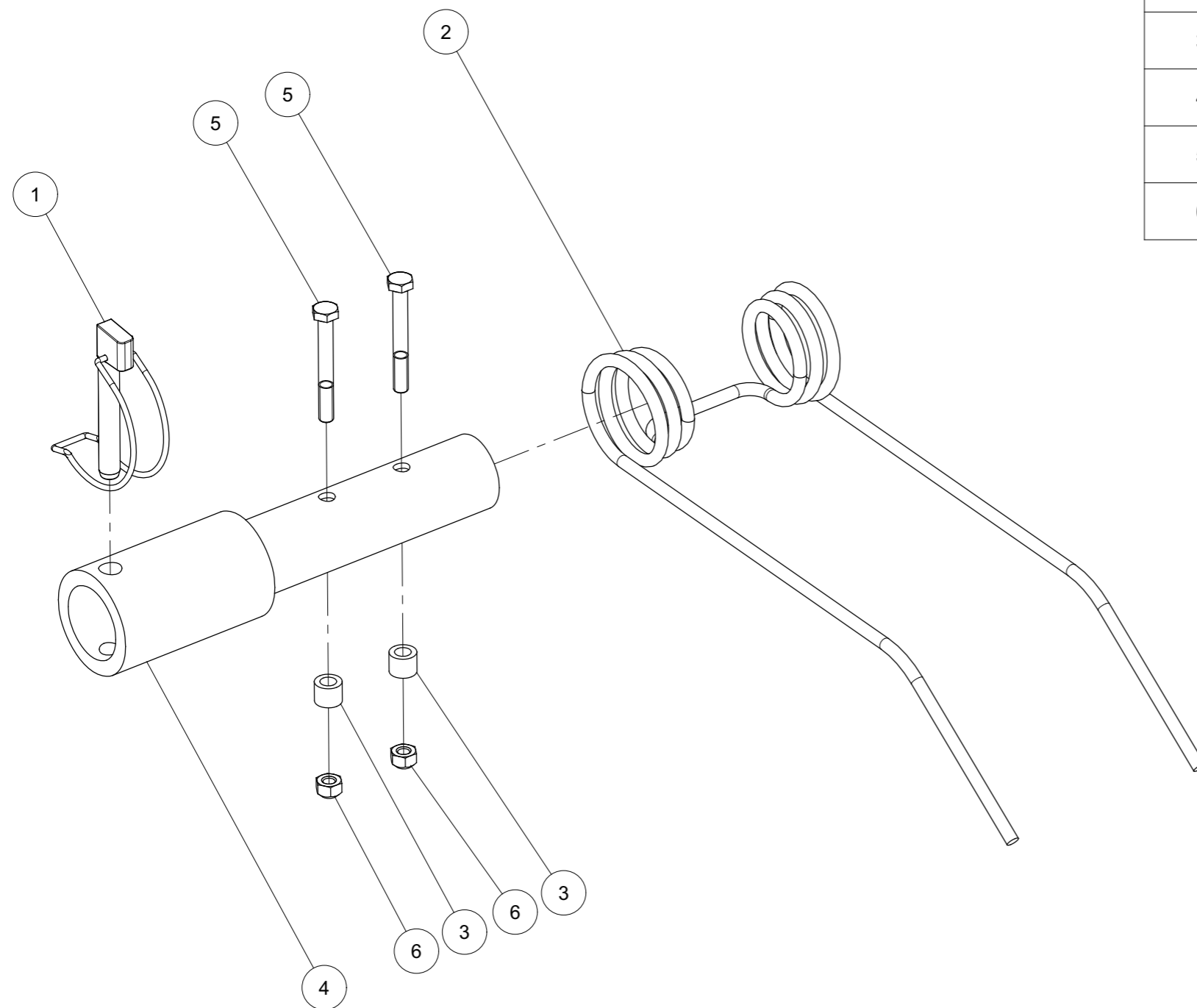
| Index | Quantity | Reference    | Designation  |
|-------|----------|--------------|--|
| 1     | 1        | 11023DR1275A | Goupille "Clips-Tube" - 11.5, Z<br>Pipe lynch pin - 11.5 Z |
| 2     | 1        | 6258.23.10   | Dents de herse D7<br>Harrow tines                          |
| 3     | 2        | 6258.23.35   | Bague de butée<br>stopper                                  |
| 4     | 1        | 6258.23.59   | Élargissement soudé<br>Widening welded                     |
| 5     | 2        | 931D865PA    | Vis H M8 x 65 ZNBL 8.8<br>Hex. Screw M8 x 65 Zinc 8.8      |
| 6     | 2        | 980DV8PA     | Ecrou M8 ZNBL 8.8<br>Nut M8 Zinc 8.8                       |





*Élargi à droite*  
*Widened to the right*

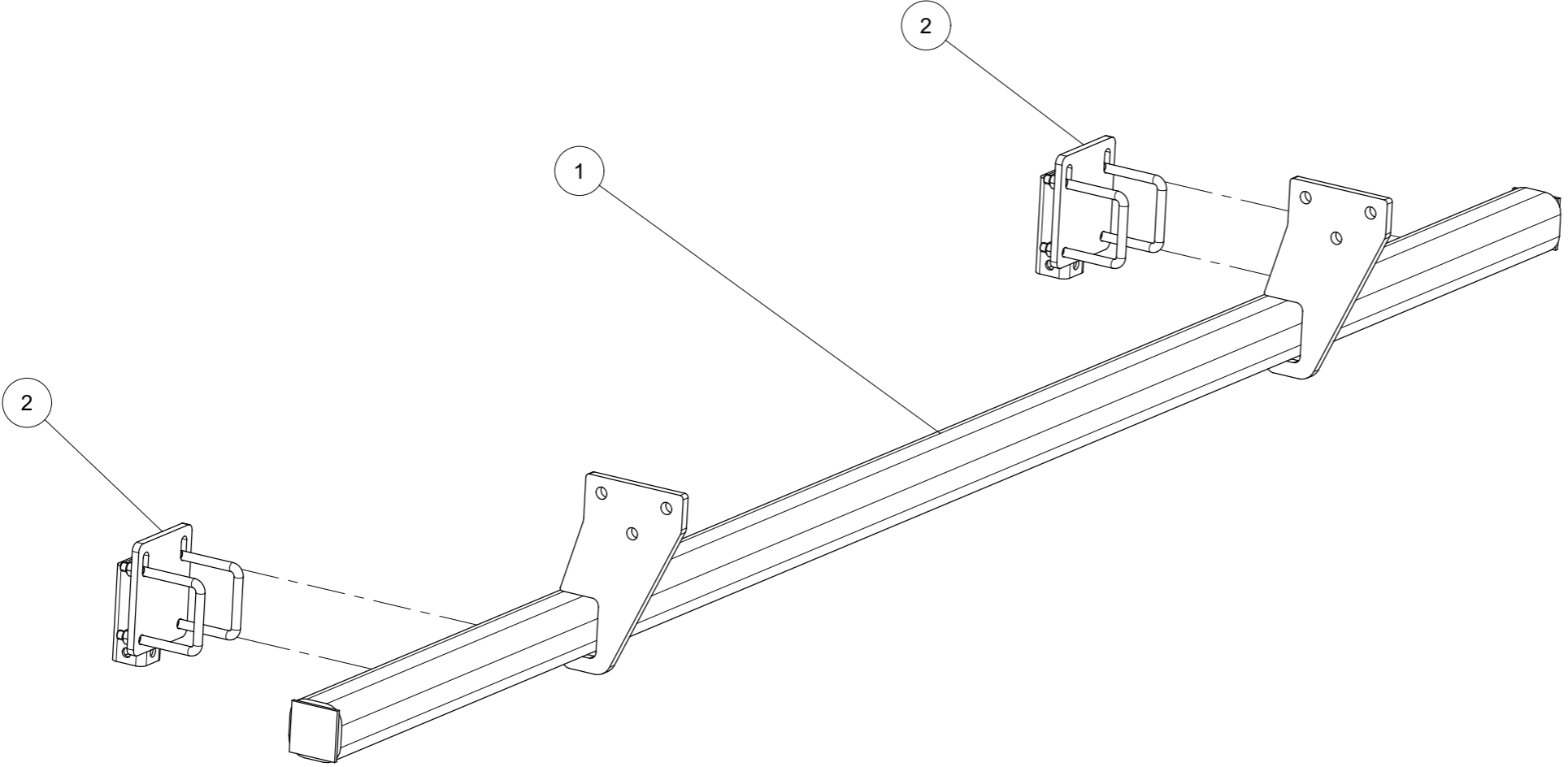
| Index | Quantity | Reference    | Designation  |
|-------|----------|--------------|--|
| 1     | 1        | 11023DR1275A | Goupille "Clips-Tube" - 11.5, Z<br>Pipe lynch pin - 11.5 Z |
| 2     | 1        | 6258.23.10   | Dents de herse D7<br>Harrow tines                          |
| 3     | 2        | 6258.23.35   | Bague de butée<br>stopper                                  |
| 4     | 1        | 6258.23.59   | Élargissement soudé<br>Widening welded                     |
| 5     | 2        | 931D865PA    | Vis H M8 x 65 ZNBL 8.8<br>Hex. Screw M8 x 65 Zinc 8.8      |
| 6     | 2        | 980DV8PA     | Ecrou M8 ZNBL 8.8<br>Nut M8 Zinc 8.8                       |





*Efface traces titulaire monté*  
*Track eradicator holder mounted*

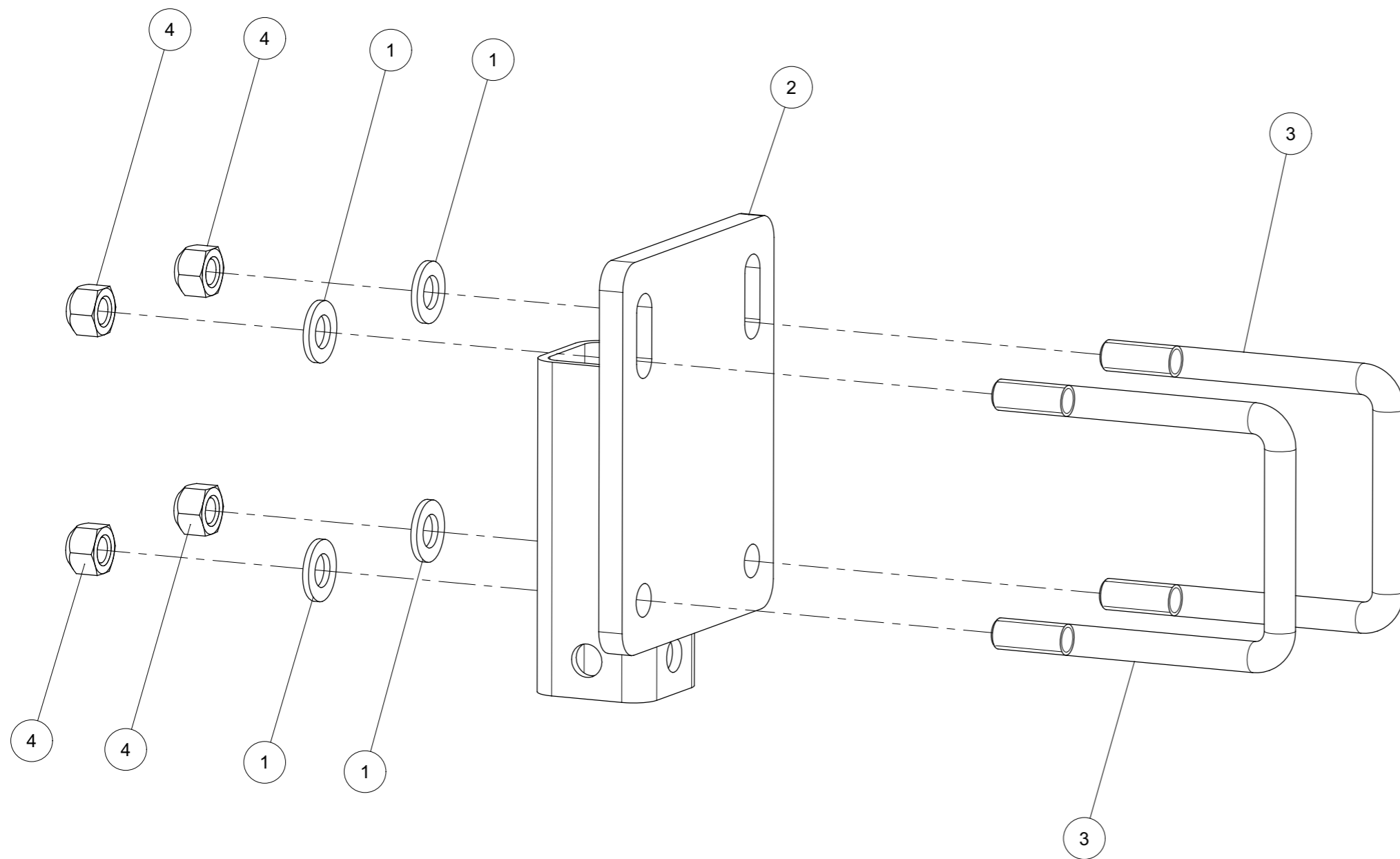
| Index | Quantity | Reference  | Designation   |
|-------|----------|------------|---|
| 1     | 1        | 6258.05.12 | Efface traces titulaire soudé<br>Track eradicator holder welded |
| 2     | 2        | 6258.05.19 | Support monté<br>Support holder mounted                         |





*Support monté*  
*Support holder mounted*

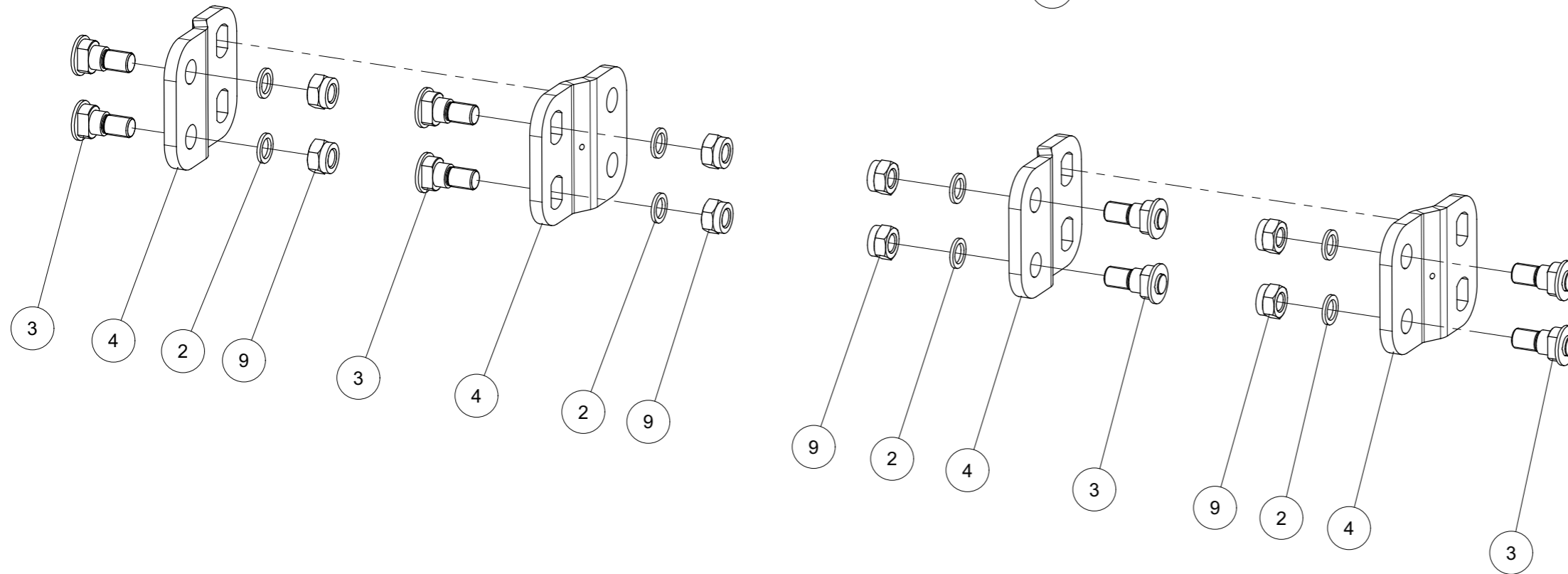
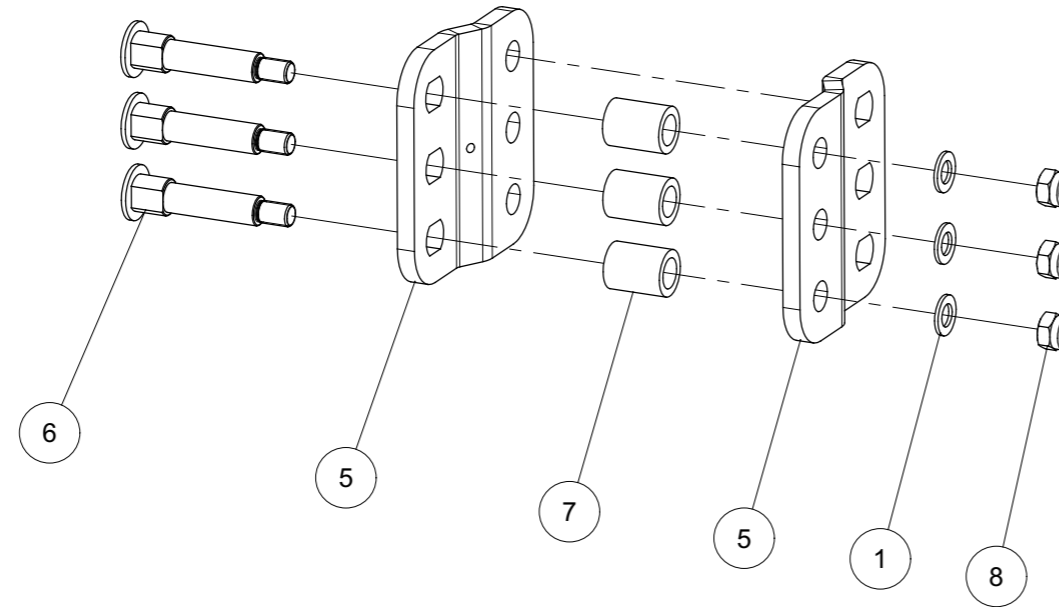
| Index | Quantity | Reference  | Designation   |
|-------|----------|------------|---|
| 1     | 4        | 125DA13A   | Rondelle A 13 ISO7089 ZNBL<br>Washer A 13 ISO7089 Zinc. |
| 2     | 1        | 6258.05.18 | Support soudé<br>Welded holder                          |
| 3     | 2        | 8406.33.02 | Bride MC-12x93x115 Z.<br>Flange MC-12x93x115 Z.         |
| 4     | 4        | 980DV12PA  | Ecrou M12 ZNBL 8.8<br>Nut M12 Zinc 8.8                  |





*Fixation monté cpl.*  
*Attachment mounted cpl.*

| Index | Quantity | Reference  | Designation  |
|-------|----------|------------|--|
| 1     | 3        | 125DA25A   | Rondelle A 25 ISO7089 Zinguée<br>Washer A 25 ISO7089 Zinc.     |
| 2     | 8        | 1441D31A   | Rondelle 31 DIN1441 Z<br>Washer 31 DIN1441 Z                   |
| 3     | 8        | 6258.90.01 | Axe<br>Bolt  |
| 4     | 4        | 6258.90.05 | Bride liaison inférieure<br>Flange lower link                  |
| 5     | 2        | 6258.90.07 | Bride de liaison supérieure<br>Upper link flange               |
| 6     | 3        | 6258.90.16 | Axe<br>Bolt  |
| 7     | 3        | 6258.90.17 | Douille Z.<br>Sleeve Z.  |
| 8     | 3        | 985D2415PA | Ecrou HFR M24x1,5 ISO10511-8 Z<br>Nut HFR M24x1,5 ISO10511-8 Z |
| 9     | 8        | 985D302PA  | Ecrou HFR M30x2,0 ISO10511-8 Z<br>Nut HFR M30x2,0 ISO10511-8 Z |

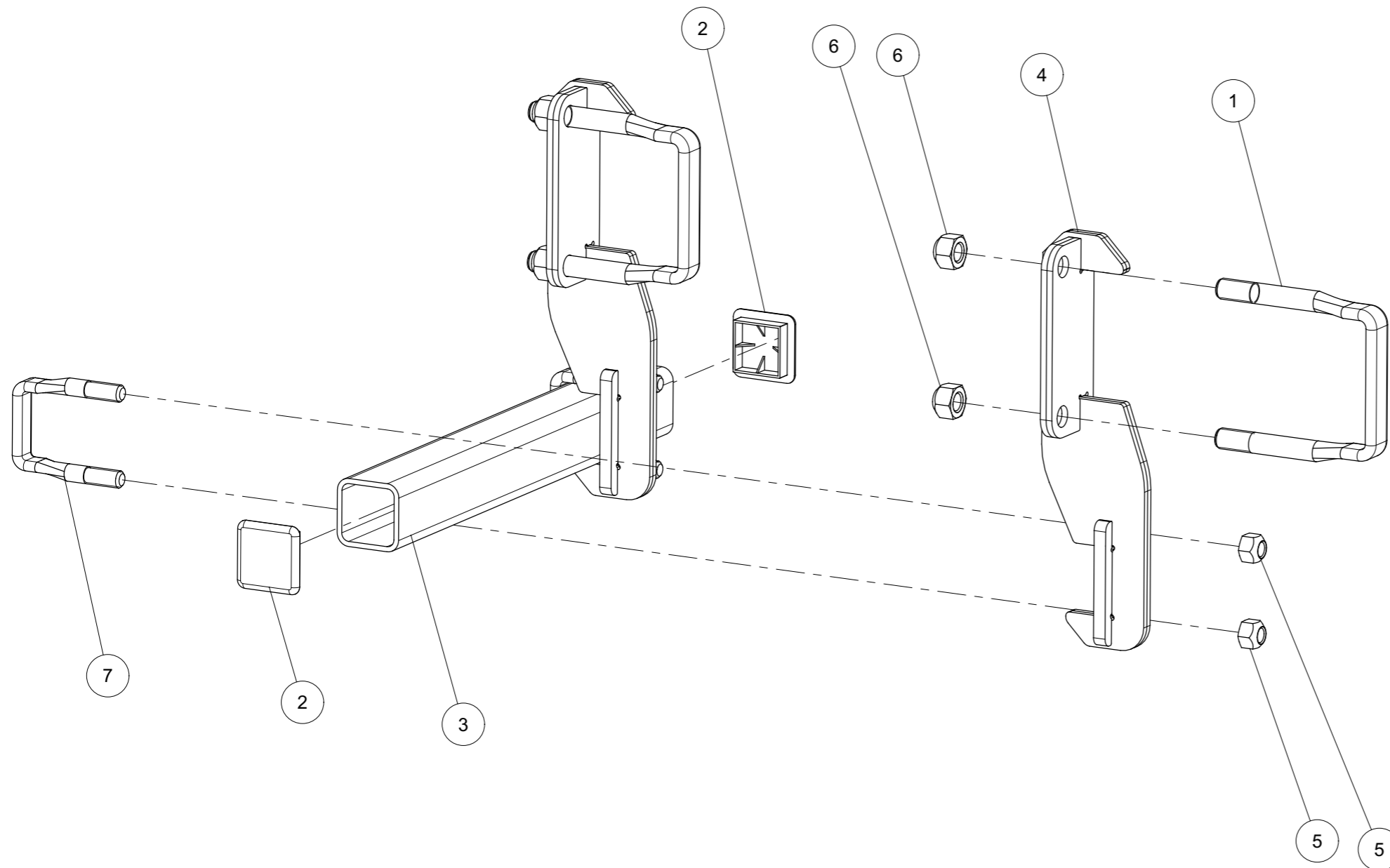




*Efface traces titulaire 0,65m cpl.*

*Track eradicator holder 0,65m cpl.*

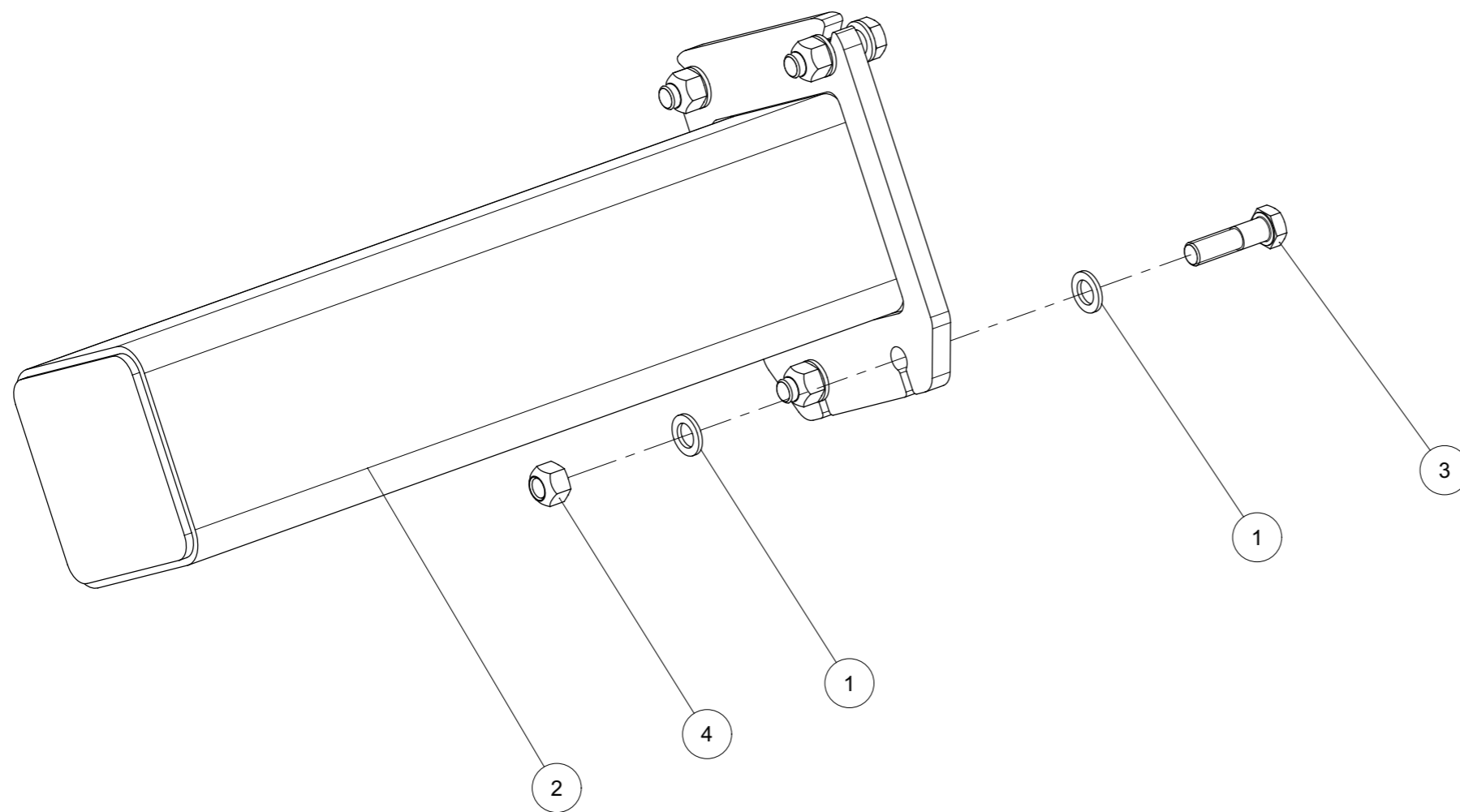
| Index | Quantity | Reference   | Designation   |
|-------|----------|-------------|---|
| 1     | 2        | 600 501 402 | Bride 150x150<br>Flange 150x150                             |
| 2     | 2        | 6258.05.51  | Bouchon en plastique 80x80x4-7<br>Plug 80x80x4-7            |
| 3     | 1        | 6258.05.52  | Pipe VK80806X650W<br>Tube VK80806X650W                      |
| 4     | 2        | 6258.15.10  | Bras de support soudé<br>Support arm welded                 |
| 5     | 4        | 980DV20PA   | Ecrou M20 ZNBL 8.8<br>Nut M20 Zinc 8.8                      |
| 6     | 4        | 980DV24PA   | Ecrou M24 ZNBL 8.8<br>Nut M24 Zinc 8.8                      |
| 7     | 2        | M 631 182   | Etrier M20 □80 aplati 10.9<br>Flange M20 □80 flattened 10.9 |





*Approach cadré 4501 série 1*  
*Frame approach 4501 series 1*

| Index | Quantity | Reference  | Designation   |
|-------|----------|------------|---|
| 1     | 8        | 1441D17A   | Rondelle 17 DIN1441 Z<br>Washer 17 DIN1441 Z            |
| 2     | 1        | 6258.01.81 | Cadre latéral<br>Side frame                             |
| 3     | 4        | 931D1660PA | Vis H M16 x 60 ZNBL 8.8<br>Hex. Screw M16 x 60 Zinc 8.8 |
| 4     | 4        | 980DV16PA  | Ecrou M16 ZNBL 8.8<br>Nut M16 Zinc 8.8                  |

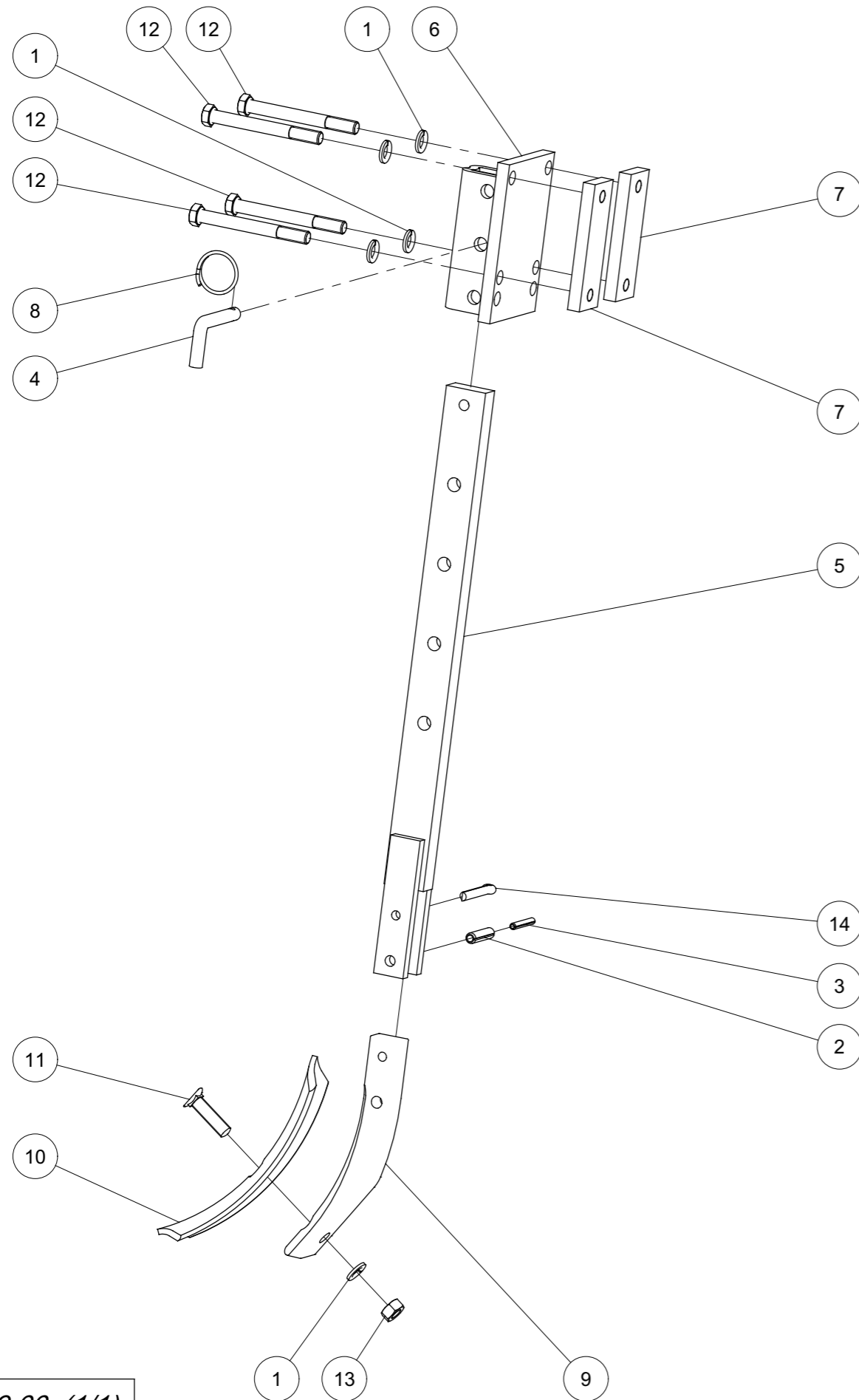






*Effaceur de trce 80 tuyaux cpl.*

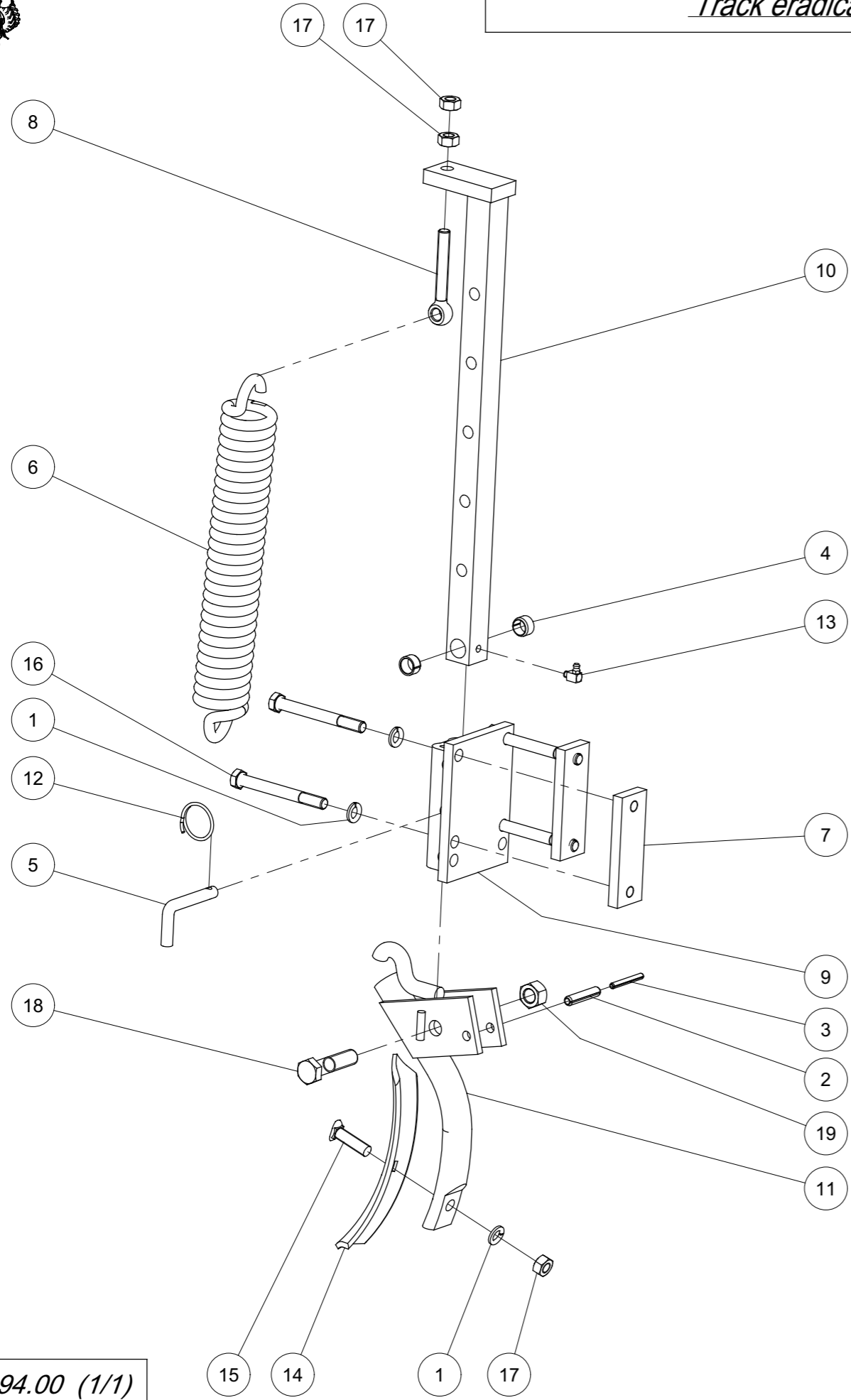
*Track eradicator 80 pipe cpl.*



| Index | Quantity | Reference   | Designation   |
|-------|----------|-------------|---|
| 1     | 5        | 127DA12A    | Rondelle élastique A 12 DIN127 Z<br>Springwasher A 12 DIN127 Z        |
| 2     | 1        | 1481D1045   | Goupille elastique 10 X 45 ISO8752<br>Spring Pin 10 X 45 ISO8752      |
| 3     | 1        | 1481D645A   | Goupille elastique 6 X 45 ISO8752 Z<br>Spring Pin 6 X 45 ISO8752 Z    |
| 4     | 1        | 6241.29.02  | Axe TB-12x50<br>Pin TB-12x50  |
| 5     | 1        | 6241.31.00  | Tige<br>Stalk   |
| 6     | 1        | 6241.39.00  | Support<br>Bracket  |
| 7     | 2        | 6241.94.02  | Plat de fixation M 12-93<br>Latch M 12-93                             |
| 8     | 1        | 6608.12.07  | Circlip<br>Circlip  |
| 9     | 1        | 8007.24.04  | Support de soc<br>Tine  |
| 10    | 1        | 8007.30.01  | Soc GG-5<br>Share GG-5  |
| 11    | 1        | 8007.30.02  | Vis tête noyée 12x48 - 8.8<br>C sunk screw 12x48 - 8.8                |
| 12    | 4        | 931D12110PA | Vis H M12 x 110 ZNBL 8.8<br>Hex. Screw M12 x 110 Zinc 8.8             |
| 13    | 1        | 934D12PA    | Ecrou std H M12 - pas 175 Zingue<br>Nut std H M12 - thread 175 Zingue |
| 14    | 1        | 94D850      | Goupille fendue 8x 50 ISO1234<br>Splint pin 8x 50 ISO1234             |

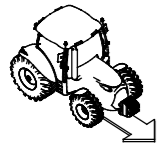


*Effaceur de trace à ressort 80 tuyaux cpl.*  
*Track eradicator spring-suspended 80 pipe cpl.*

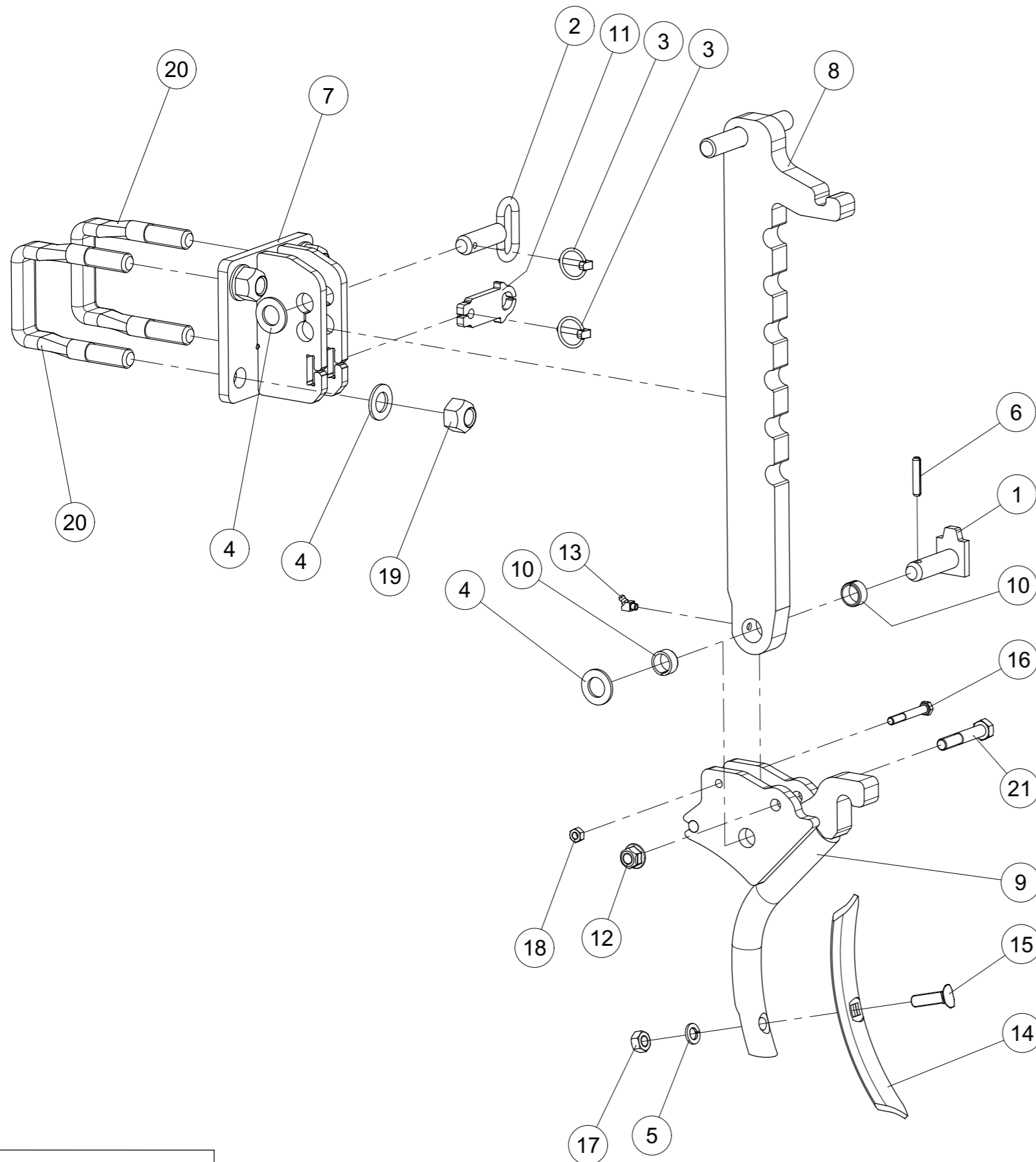


| Index | Quantity | Reference   | Designation   |
|-------|----------|-------------|---|
| 1     | 5        | 127DA12A    | Rondelle élastique A 12 DIN127 Z<br>Springwascher A 12 DIN127 Z       |
| 2     | 1        | 1481D1050   | Goupille elastique 10 X 50 ISO8752<br>Spring Pin 10 X 50 ISO8752      |
| 3     | 1        | 1481D650    | Goupille elastique 6 X 50 ISO8752<br>Spring Pin 6 X 50 ISO8752        |
| 4     | 2        | 1498D162012 | Douille EG 16/20x12 DIN1498<br>Bush EG 16/20x12 DIN1498               |
| 5     | 1        | 6241.29.02  | Axe TB-12x50<br>Pin TB-12x50  |
| 6     | 1        | 6241.94.01  | Ressort de tension CF-287<br>Tension spring CF-287                    |
| 7     | 2        | 6241.94.02  | Plat de fixation M 12-93<br>Latch M 12-93                             |
| 8     | 1        | 6241.94.04  | Vis oeil M12x90 Zingue<br>Screw eye M12x90 zinc                       |
| 9     | 1        | 6241.95.00  | Console<br>Clamp plate  |
| 10    | 1        | 6241.96.00  | Tige<br>Stalk   |
| 11    | 1        | 6241.97.00  | Dent<br>Tine  |
| 12    | 1        | 6608.12.07  | Circlip<br>Circlip  |
| 13    | 1        | 71412DCS81  | Graisneur H3a-M 8x1 -90<br>Grease Nipple H3a-M 8x1 -90                |
| 14    | 1        | 8007.30.01  | Soc GG-5<br>Share GG-5  |
| 15    | 1        | 8007.30.02  | Vis tête noyée 12x48 - 8.8<br>C sunk screw 12x48 - 8.8                |
| 16    | 4        | 931D12110PA | Vis H M12 x 110 ZNBL 8.8<br>Hex. Screw M12 x 110 Zinc 8.8             |
| 17    | 3        | 934D12PA    | Ecrou std H M12 - pas 175 Zingue<br>Nut std H M12 - thread 175 Zingue |
| 18    | 1        | 960D161565M | Vis hex. M16x1.5x65 noire 12.9<br>Hex. Screw M16x1.5x65 Black 12.9    |
| 19    | 1        | 980DV1615PA | Ecrou M16x1.5 ZNBL 8.8<br>Nut M16x1.5 Zinc 8.8                        |

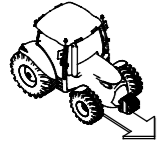
6241.94.00 (1/1)



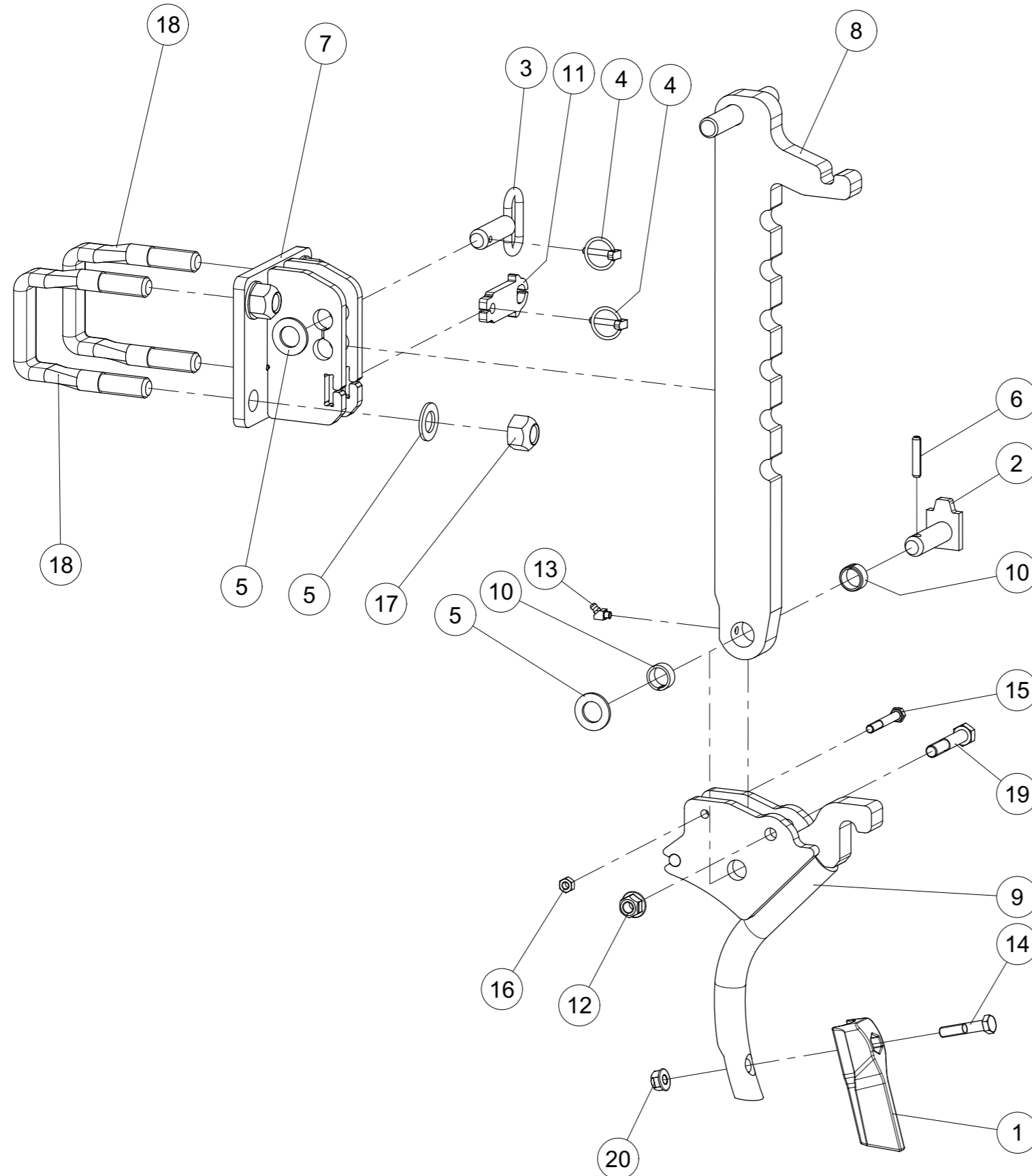
*Efface traces GG-5 cpl.*  
*Track eradicator GG-5 cpl.*



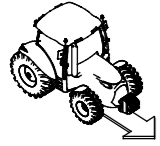
| Index | Quantite | Reference  | Designation   |
|-------|----------|------------|---|
| 1     | 1        | 1000.20.15 | Axe D 20x58 Z<br>Pin D 20x58 Z  |
| 2     | 1        | 1000.20.30 | Axe D20x55 Z<br>Pin D20x55 Z  |
| 3     | 2        | 11023D532A | Goupille "Clips" Dia 5 Z<br>Lynch pin Dia5                            |
| 4     | 6        | 125DA21A   | Rondelle A 21 ISO7089 ZNBL<br>Washer A 21 ISO7089 Zinc.               |
| 5     | 1        | 127DA12A   | Rondelle élastique A 12 DIN127 Z<br>Springwascher A 12 DIN127 Z       |
| 6     | 1        | 1481D840A  | Goupille elastique 8 X 40 ISO8752 Z<br>Spring Pin 8 X 40 ISO8752 Z    |
| 7     | 1        | 6258.31.20 | support de montant d'efface-trace<br>Leg support for track eraser     |
| 8     | 1        | 6258.31.26 | Montant d'efface-trace<br>Leg for track eraser                        |
| 9     | 1        | 6258.31.45 | Soc titulaire GG-5<br>Share holder GG-5                               |
| 10    | 2        | 6258.31.94 | Bague ø25/20x12<br>Bush ø25/20x12                                     |
| 11    | 1        | 6258.31.96 | Loquet<br>Latsch  |
| 12    | 1        | 6927DV12NA | Ecrou HEFR M12 emb. S.Lock Cl.10<br>HEFR M12 Flg nut Gr.10 ZNBL       |
| 13    | 1        | 71412DBS81 | Graisseur H2a-M 8x1 -45<br>Grease Nipple H2a-M 8x1 -45                |
| 14    | 1        | 8007.30.01 | Soc GG-5<br>Share GG-5  |
| 15    | 1        | 8007.30.02 | Vis tête noyée 12x48 - 8.8<br>C sunk screw 12x48 - 8.8                |
| 16    | 1        | 931D860NA  | Vis H M8 x 60 ZNBL 10.9<br>Hex. Screw M8 x 60 Zinc 10.9               |
| 17    | 1        | 934D12PA   | Ecrou std H M12 - pas 175 Zingue<br>Nut std H M12 - thread 175 Zingue |
| 18    | 1        | 934D8PA    | Ecrou std H M8 - pas 125 Zingue<br>Nut std H M8 - thread 125 Zingue   |
| 19    | 4        | 980DV20NA  | Ecrou M20 ZNBL 10.9<br>Nut M20 Zinc 10.9                              |
| 20    | 2        | M 631 182  | Etrier M20 □ 80 aplati 10.9<br>Flange M20 □ 80 flattened 10.9         |
| 21    | 1        | VI 29 16   | Vis H M12x 70 - 8.8 ZNBL<br>Screw H M12x 70 - 8.8 ZNBL                |



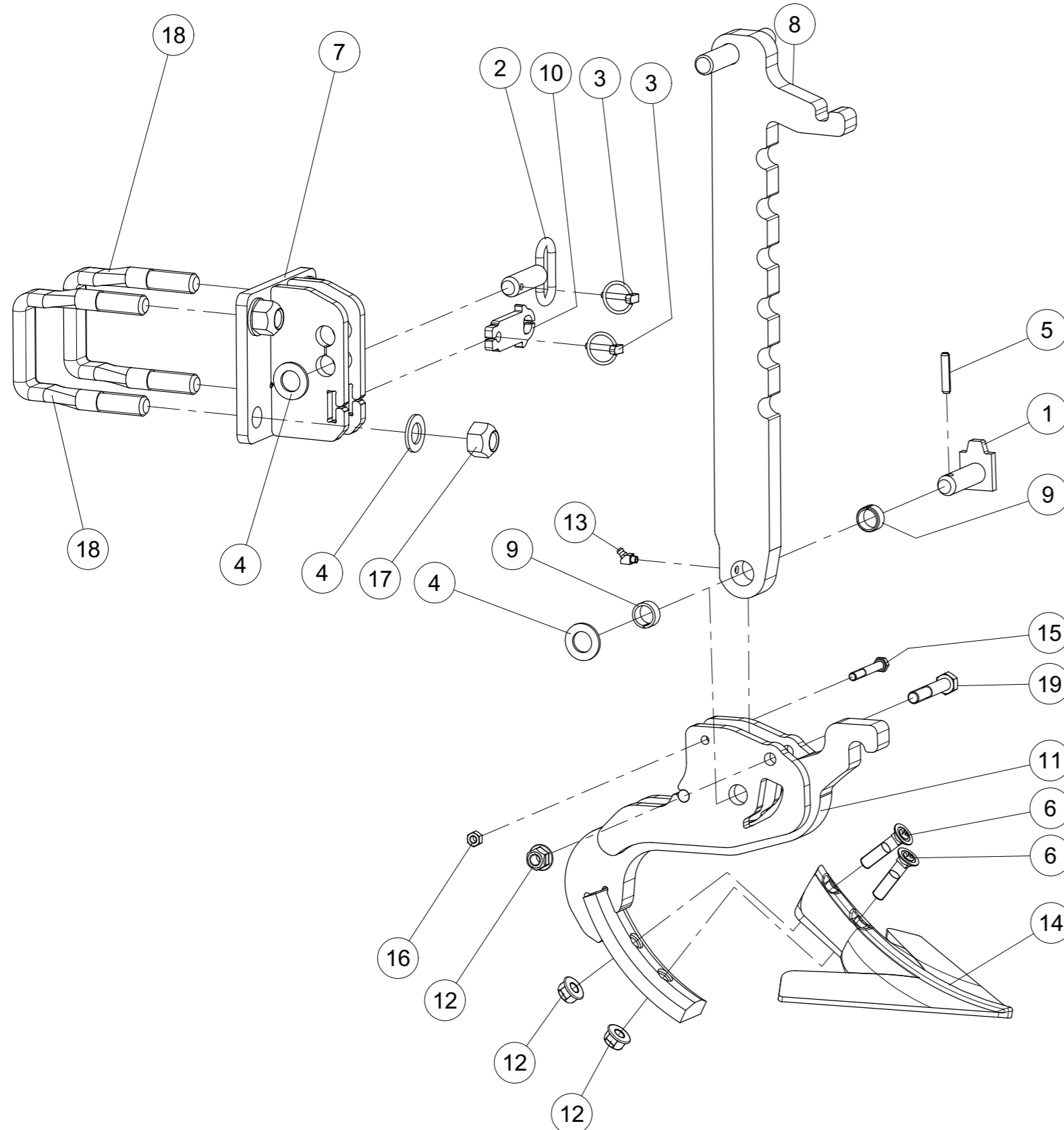
*Efface traces GS-035 cpl.*  
*Track eradicator GS-035 cpl.*



| Index | Quantite | Reference  | Designation   |
|-------|----------|------------|---|
| 1     | 1        | 7 C 00320  | Soc moulé court<br>Share lace short                                 |
| 2     | 1        | 1000.20.15 | Axe D 20x58 Z<br>Pin D 20x58 Z                                      |
| 3     | 1        | 1000.20.30 | Axe D20x55 Z<br>Pin D20x55 Z  |
| 4     | 2        | 11023D532A | Goupille "Clips" Dia 5 Z<br>Lynch pin Dia5                          |
| 5     | 6        | 125DA21A   | Rondelle A 21 ISO7089 ZNBL<br>Washer A 21 ISO7089 Zinc.             |
| 6     | 1        | 1481D840A  | Goupille elastique 8 X 40 ISO8752 Z<br>Spring Pin 8 X 40 ISO8752 Z  |
| 7     | 1        | 6258.31.20 | support de montant d'efface-trace<br>Leg support for track eraser   |
| 8     | 1        | 6258.31.26 | Montant d'efface-trace<br>Leg for track eraser                      |
| 9     | 1        | 6258.31.45 | Soc titulaire GG-5<br>Share holder GG-5                             |
| 10    | 2        | 6258.31.94 | Bague ø25/20x12<br>Bush ø25/20x12                                   |
| 11    | 1        | 6258.31.96 | Loquet<br>Latsch  |
| 12    | 1        | 6927DV12NA | Ecrou HEFR M12 emb. S.Lock Cl.10<br>HEFR M12 Flg nut Gr.10 ZNBL     |
| 13    | 1        | 71412DBS81 | Graisseur H2a-M 8x1 -45<br>Grease Nipple H2a-M 8x1 -45              |
| 14    | 1        | 931D1050N  | Vis H M10 x 50 Noire 10.9<br>Hex. Screw M10 x 50 Black 10.9         |
| 15    | 1        | 931D860NA  | Vis H M8 x 60 ZNBL 10.9<br>Hex. Screw M8 x 60 Zinc 10.9             |
| 16    | 1        | 934D8PA    | Ecrou std H M8 - pas 125 Zingue<br>Nut std H M8 - thread 125 Zingue |
| 17    | 4        | 980DV20NA  | Ecrou M20 ZNBL 10.9<br>Nut M20 Zinc 10.9                            |
| 18    | 2        | M 631 182  | Etrier M20 □ 80 aplati 10.9<br>Flange M20 □ 80 flattened 10.9       |
| 19    | 1        | VI 29 16   | Vis H M12x 70 - 8.8 ZNBL<br>Screw H M12x 70 - 8.8 ZNBL              |
| 20    | 1        | VJ 141     | Ecrou HEFR M10 emb. S.Lock Cl.10<br>HEFR M10 Flg nut Gr.10 ZNBL     |

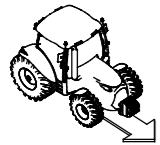


*Efface traces GG-011 cpl.*  
*Track eradicator GG-011 cpl.*

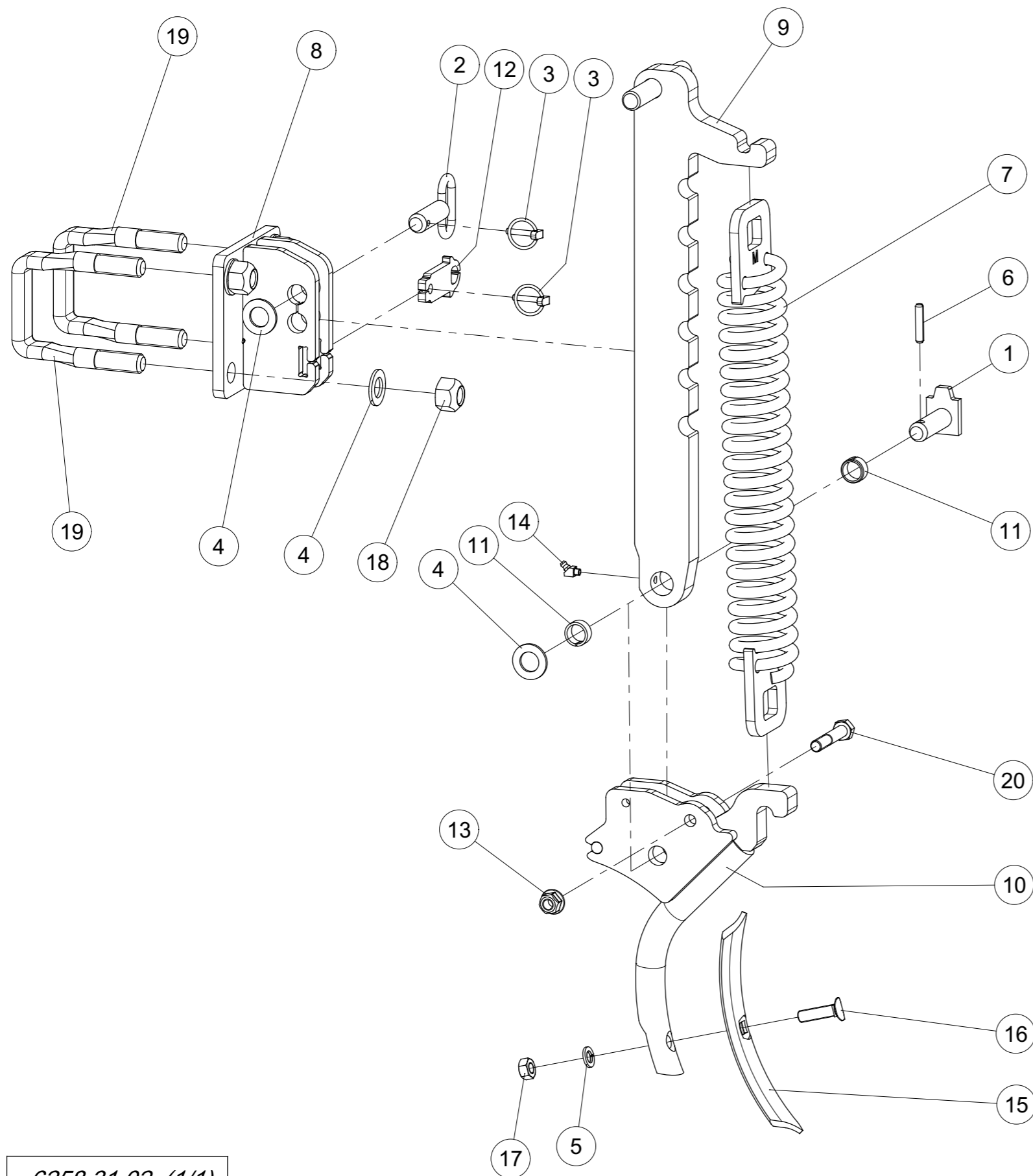


| Index | Quantite | Reference  | Designation   |
|-------|----------|------------|---|
| 1     | 1        | 1000.20.15 | Axe D 20x58 Z<br>Pin D 20x58 Z                                      |
| 2     | 1        | 1000.20.30 | Axe D20x55 Z<br>Pin D20x55 Z  |
| 3     | 2        | 11023D532A | Goupille "Clips" Dia 5 Z<br>Lynch pin Dia5                          |
| 4     | 6        | 125DA21A   | Rondelle A 21 ISO7089 ZNBL<br>Washer A 21 ISO7089 Zinc.             |
| 5     | 1        | 1481D840A  | Goupille elastique 8 X 40 ISO8752 Z<br>Spring Pin 8 X 40 ISO8752 Z  |
| 6     | 2        | 2700.26.10 | Vis a tête fraisée M 12 X 55-10.9<br>C sunk screw M 12 X 55-10.9    |
| 7     | 1        | 6258.31.20 | support de montant d'efface-trace<br>Leg support for track eraser   |
| 8     | 1        | 6258.31.26 | Montant d'efface-trace<br>Leg for track eraser                      |
| 9     | 2        | 6258.31.94 | Bague ø25/20x12<br>Bush ø25/20x12                                   |
| 10    | 1        | 6258.31.96 | Loquet<br>Latsch  |
| 11    | 1        | 6258.32.35 | Soc titulaire GG-O11<br>Share holder GG-O11                         |
| 12    | 3        | 6927DV12NA | Ecrou HEFR M12 emb. S.Lock Cl.10<br>HEFR M12 Flg nut Gr.10 ZNBL     |
| 13    | 1        | 71412DBS81 | Graisseur H2a-M 8x1 -45<br>Grease Nipple H2a-M 8x1 -45              |
| 14    | 1        | 8426.33.01 | Pattes d'oise GG-O11<br>Crow's feet GG-O11                          |
| 15    | 1        | 931D860NA  | Vis H M8 x 60 ZNBL 10.9<br>Hex. Screw M8 x 60 Zinc 10.9             |
| 16    | 1        | 934D8PA    | Ecrou std H M8 - pas 125 Zingue<br>Nut std H M8 - thread 125 Zingue |
| 17    | 4        | 980DV20NA  | Ecrou M20 ZNBL 10.9<br>Nut M20 Zinc 10.9                            |
| 18    | 2        | M 631 182  | Etrier M20 □ 80 aplati 10.9<br>Flange M20 □ 80 flattened 10.9       |
| 19    | 1        | VI 29 16   | Vis H M12x 70 - 8.8 ZNBL<br>Screw H M12x 70 - 8.8 ZNBL              |

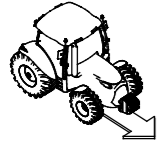




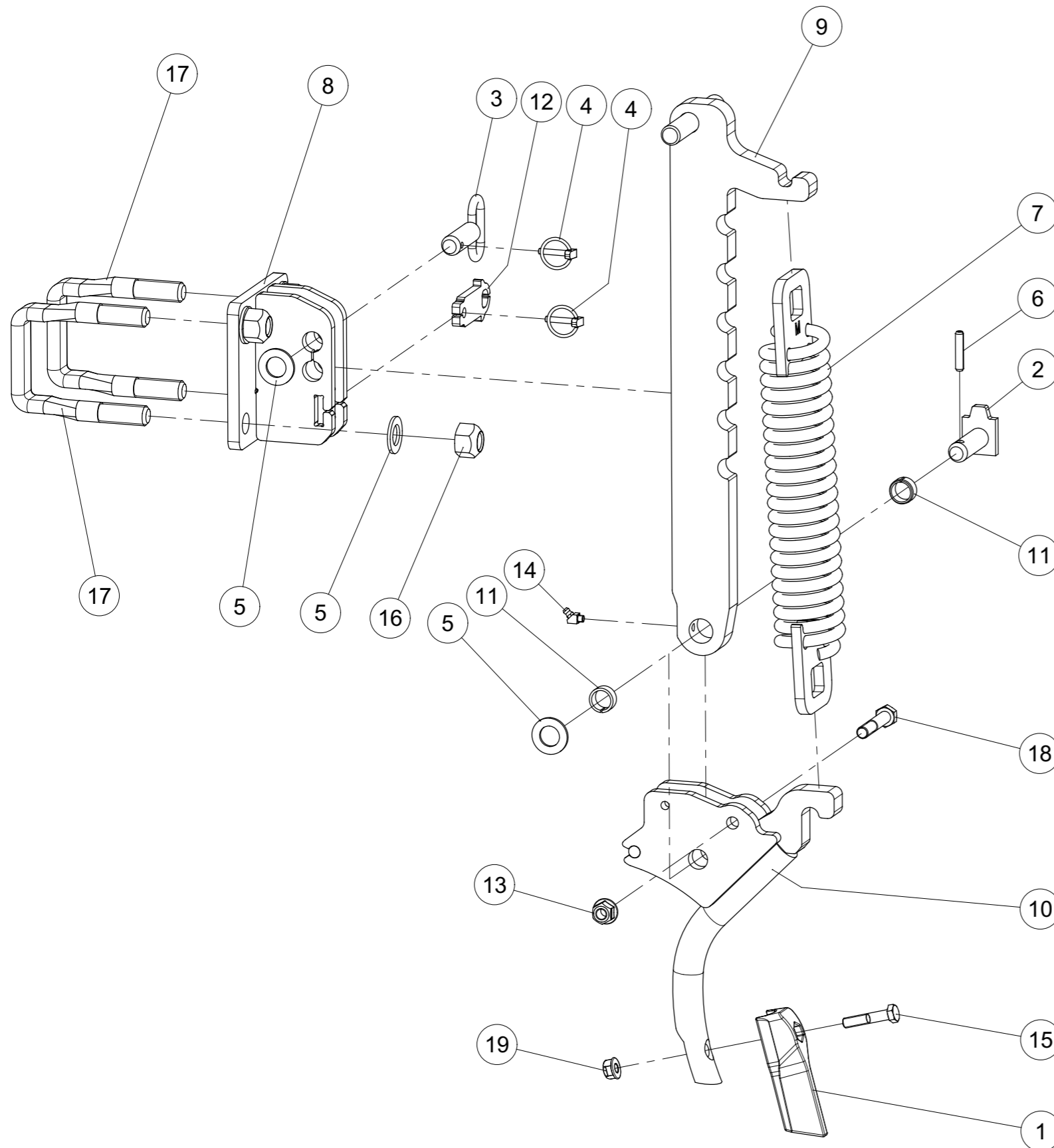
*Efface traces á ressort GG-5 cpl.*  
*Track eradicator spring mounted GG-5 cpl.*



| Index | Quantite | Reference  | Designation   |
|-------|----------|------------|---|
| 1     | 1        | 1000.20.15 | Axe D 20x58 Z<br>Pin D 20x58 Z  |
| 2     | 1        | 1000.20.30 | Axe D20x55 Z<br>Pin D20x55 Z  |
| 3     | 2        | 11023D532A | Goupille "Clips" Dia 5 Z<br>Lynch pin Dia5                            |
| 4     | 6        | 125DA21A   | Rondelle A 21 ISO7089 ZNBL<br>Washer A 21 ISO7089 Zinc.               |
| 5     | 1        | 127DA12A   | Rondelle élastique A 12 DIN127 Z<br>Springwascher A 12 DIN127 Z       |
| 6     | 1        | 1481D840A  | Goupille elastique 8 X 40 ISO8752 Z<br>Spring Pin 8 X 40 ISO8752 Z    |
| 7     | 1        | 6258.31.16 | Ressort de tension<br>Tension spring                                  |
| 8     | 1        | 6258.31.20 | support de montant d'efface-trace<br>Leg support for track eraser     |
| 9     | 1        | 6258.31.26 | Montant d'efface-trace<br>Leg for track eraser                        |
| 10    | 1        | 6258.31.45 | Soc titulaire GG-5<br>Share holder GG-5                               |
| 11    | 2        | 6258.31.94 | Bague ø25/20x12<br>Bush ø25/20x12                                     |
| 12    | 1        | 6258.31.96 | Loquet<br>Latsch  |
| 13    | 1        | 6927DV12NA | Ecrou HEFR M12 emb. S.Lock Cl.10<br>HEFR M12 Flg nut Gr.10 ZNBL       |
| 14    | 1        | 71412DBS81 | Graisseur H2a-M 8x1 -45<br>Grease Nipple H2a-M 8x1 -45                |
| 15    | 1        | 8007.30.01 | Soc GG-5<br>Share GG-5  |
| 16    | 1        | 8007.30.02 | Vis tête noyée 12x48 - 8.8<br>C sunk screw 12x48 - 8.8                |
| 17    | 1        | 934D12PA   | Ecrou std H M12 - pas 175 Zingue<br>Nut std H M12 - thread 175 Zingue |
| 18    | 4        | 980DV20NA  | Ecrou M20 ZNBL 10.9<br>Nut M20 Zinc 10.9                              |
| 19    | 2        | M 631 182  | Etrier M20 □ 80 aplati 10.9<br>Flange M20 □ 80 flattened 10.9         |
| 20    | 1        | VI 29 16   | Vis H M12x 70 - 8.8 ZNBL<br>Screw H M12x 70 - 8.8 ZNBL                |

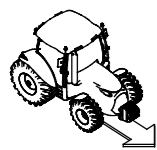


*Efface traces á ressort GS-035 cpl.*  
*Track eradicator spring mounted GS-035 cpl.*

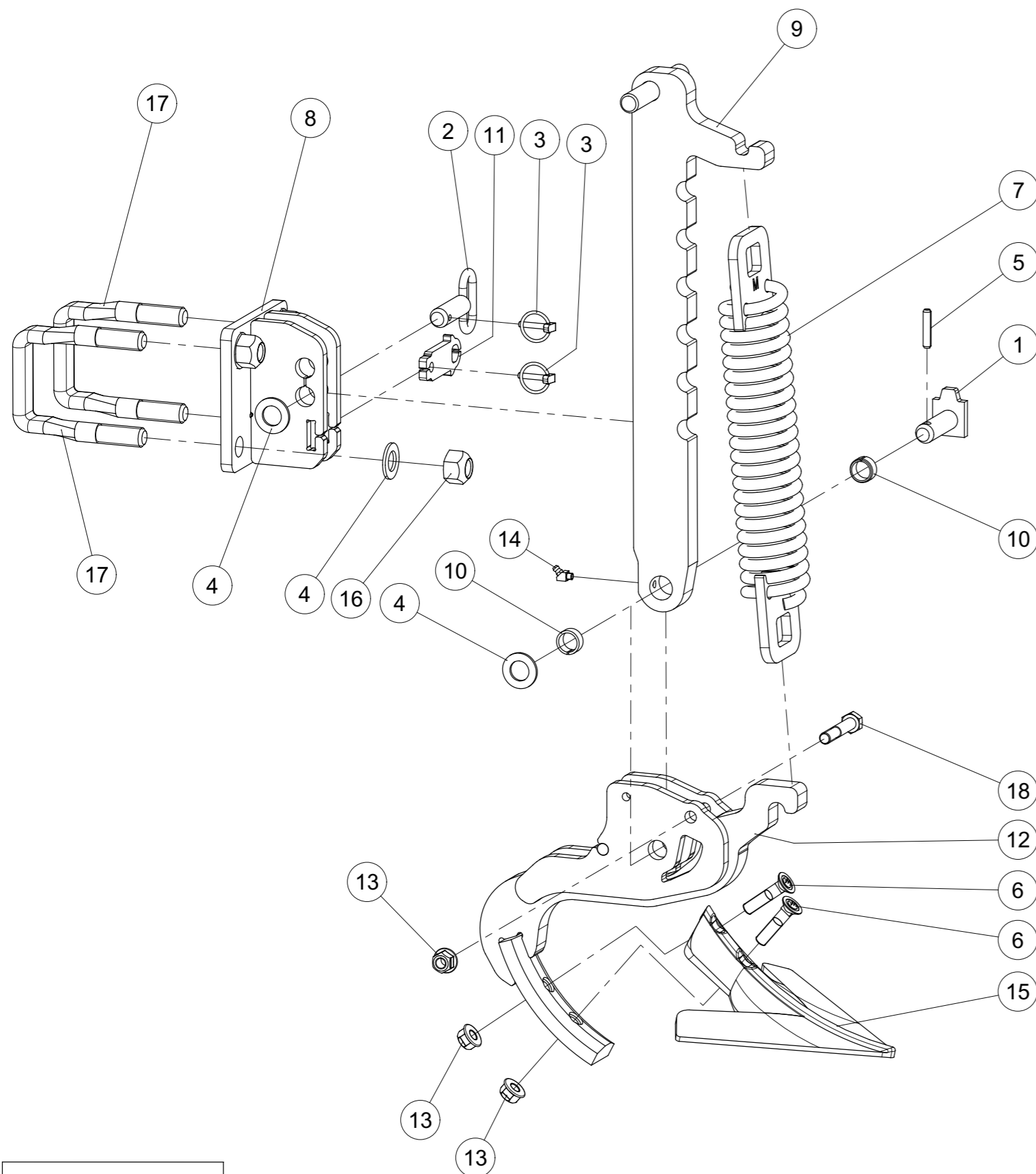


| Index | Quantite | Reference  | Designation  |
|-------|----------|------------|--|
| 1     | 1        | 7 C 00320  | Soc moulé court<br>Share lace short                                |
| 2     | 1        | 1000.20.15 | Axe D 20x58 Z<br>Pin D 20x58 Z                                     |
| 3     | 1        | 1000.20.30 | Axe D20x55 Z<br>Pin D20x55 Z                                       |
| 4     | 2        | 11023D532A | Goupille "Clips" Dia 5 Z<br>Lynch pin Dia5                         |
| 5     | 6        | 125DA21A   | Rondelle A 21 ISO7089 ZNBL<br>Washer A 21 ISO7089 Zinc.            |
| 6     | 1        | 1481D840A  | Goupille elastique 8 X 40 ISO8752 Z<br>Spring Pin 8 X 40 ISO8752 Z |
| 7     | 1        | 6258.31.16 | Ressort de tension<br>Tension spring                               |
| 8     | 1        | 6258.31.20 | support de montant d'efface-trace<br>Leg support for track eraser  |
| 9     | 1        | 6258.31.26 | Montant d'efface-trace<br>Leg for track eraser                     |
| 10    | 1        | 6258.31.45 | Soc titulaire GG-5<br>Share holder GG-5                            |
| 11    | 2        | 6258.31.94 | Bague ø25/20x12<br>Bush ø25/20x12                                  |
| 12    | 1        | 6258.31.96 | Loquet<br>Latsch   |
| 13    | 1        | 6927DV12NA | Ecrou HEFR M12 emb. S.Lock Cl.10<br>HEFR M12 Flg nut Gr.10 ZNBL    |
| 14    | 1        | 71412DBS81 | Graisser H2a-M 8x1 -45<br>Grease Nipple H2a-M 8x1 -45              |
| 15    | 1        | 931D1050N  | Vis H M10 x 50 Noire 10.9<br>Hex. Screw M10 x 50 Black 10.9        |
| 16    | 4        | 980DV20NA  | Ecrou M20 ZNBL 10.9<br>Nut M20 Zinc 10.9                           |
| 17    | 2        | M 631 182  | Etrier M20 □ 80 aplati 10.9<br>Flange M20 □ 80 flattened 10.9      |
| 18    | 1        | VI 29 16   | Vis H M12x 70 - 8.8 ZNBL<br>Screw H M12x 70 - 8.8 ZNBL             |
| 19    | 1        | VJ 141     | Ecrou HEFR M10 emb. S.Lock Cl.10<br>HEFR M10 Flg nut Gr.10 ZNBL    |





*Efface traces á ressort GG-011 cpl.*  
*Track eradicator spring mounted GG-011 cpl.*



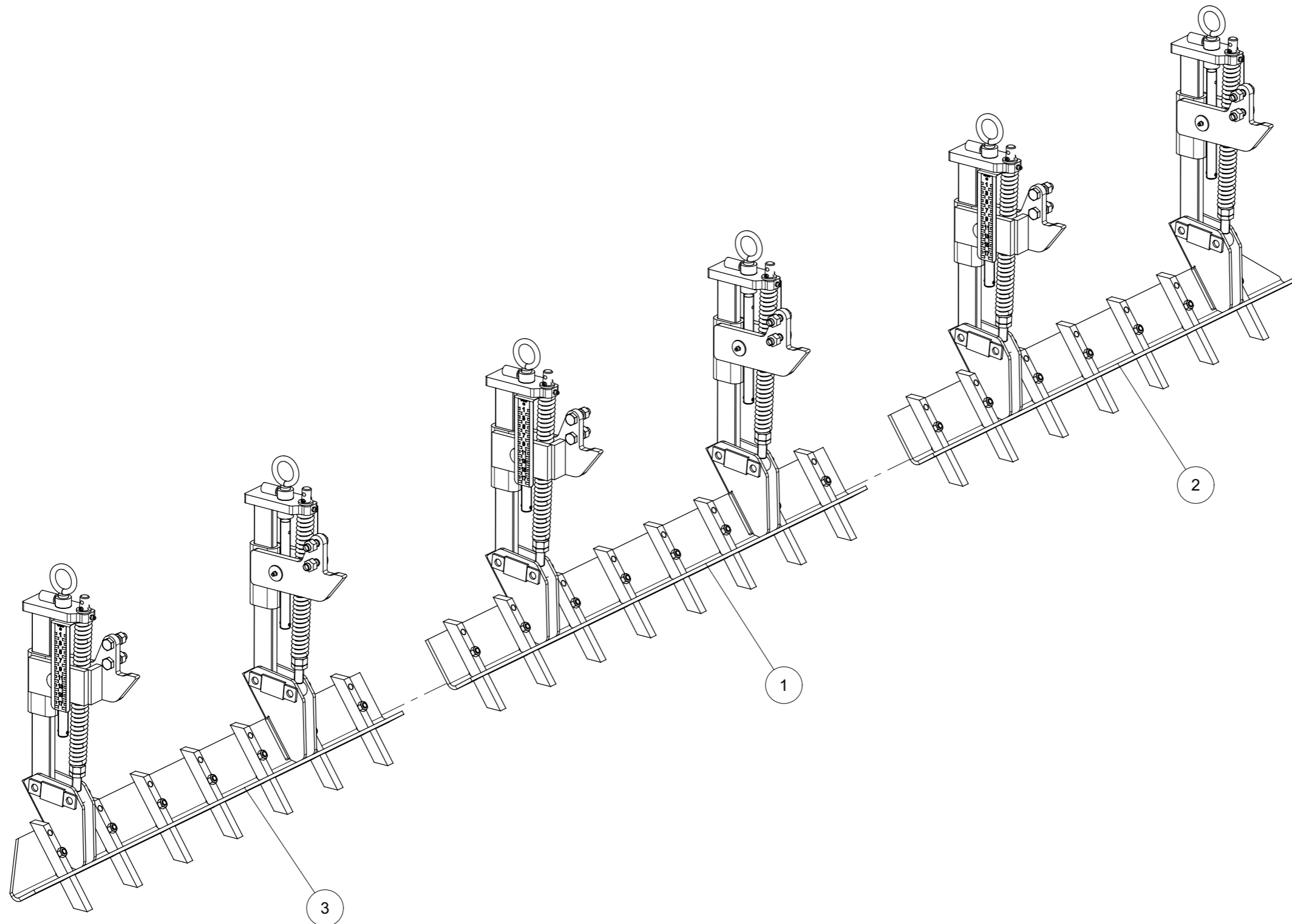
| Index | Quantite | Reference  | Designation  |
|-------|----------|------------|--|
| 1     | 1        | 1000.20.15 | Axe D 20x58 Z<br>Pin D 20x58 Z                                     |
| 2     | 1        | 1000.20.30 | Axe D20x55 Z<br>Pin D20x55 Z                                       |
| 3     | 2        | 11023D532A | Goupille "Clips" Dia 5 Z<br>Lynch pin Dia5                         |
| 4     | 6        | 125DA21A   | Rondelle A 21 ISO7089 ZNBL<br>Washer A 21 ISO7089 Zinc.            |
| 5     | 1        | 1481D840A  | Goupille elastique 8 X 40 ISO8752 Z<br>Spring Pin 8 X 40 ISO8752 Z |
| 6     | 2        | 2700.26.10 | Vis a tête fraisée M 12 X 55-10.9<br>C sunk screw M 12 X 55-10.9   |
| 7     | 1        | 6258.31.16 | Ressort de tension<br>Tension spring                               |
| 8     | 1        | 6258.31.20 | support de montant d'efface-trace<br>Leg support for track eraser  |
| 9     | 1        | 6258.31.26 | Montant d'efface-trace<br>Leg for track eraser                     |
| 10    | 2        | 6258.31.94 | Bague ø25/20x12<br>Bush ø25/20x12                                  |
| 11    | 1        | 6258.31.96 | Loquet<br>Latsch   |
| 12    | 1        | 6258.32.35 | Soc titulaire GG-O11<br>Share holder GG-O11                        |
| 13    | 3        | 6927DV12NA | Ecrou HEFR M12 emb. S.Lock Cl.10<br>HEFR M12 Flg nut Gr.10 ZNBL    |
| 14    | 1        | 71412DBS81 | Graisseur H2a-M 8x1 -45<br>Grease Nipple H2a-M 8x1 -45             |
| 15    | 1        | 8426.33.01 | Pattes d'oise GG-O11<br>Crow's feet GG-O11                         |
| 16    | 4        | 980DV20NA  | Ecrou M20 ZNBL 10.9<br>Nut M20 Zinc 10.9                           |
| 17    | 2        | M 631 182  | Etrier M20 □ 80 aplati 10.9<br>Flange M20 □ 80 flattened 10.9      |
| 18    | 1        | VI 29 16   | Vis H M12x 70 - 8.8 ZNBL<br>Screw H M12x 70 - 8.8 ZNBL             |



*Train denté 4501 L (S) cpl.*

*Tine trailer 4501 L (S) cpl.*

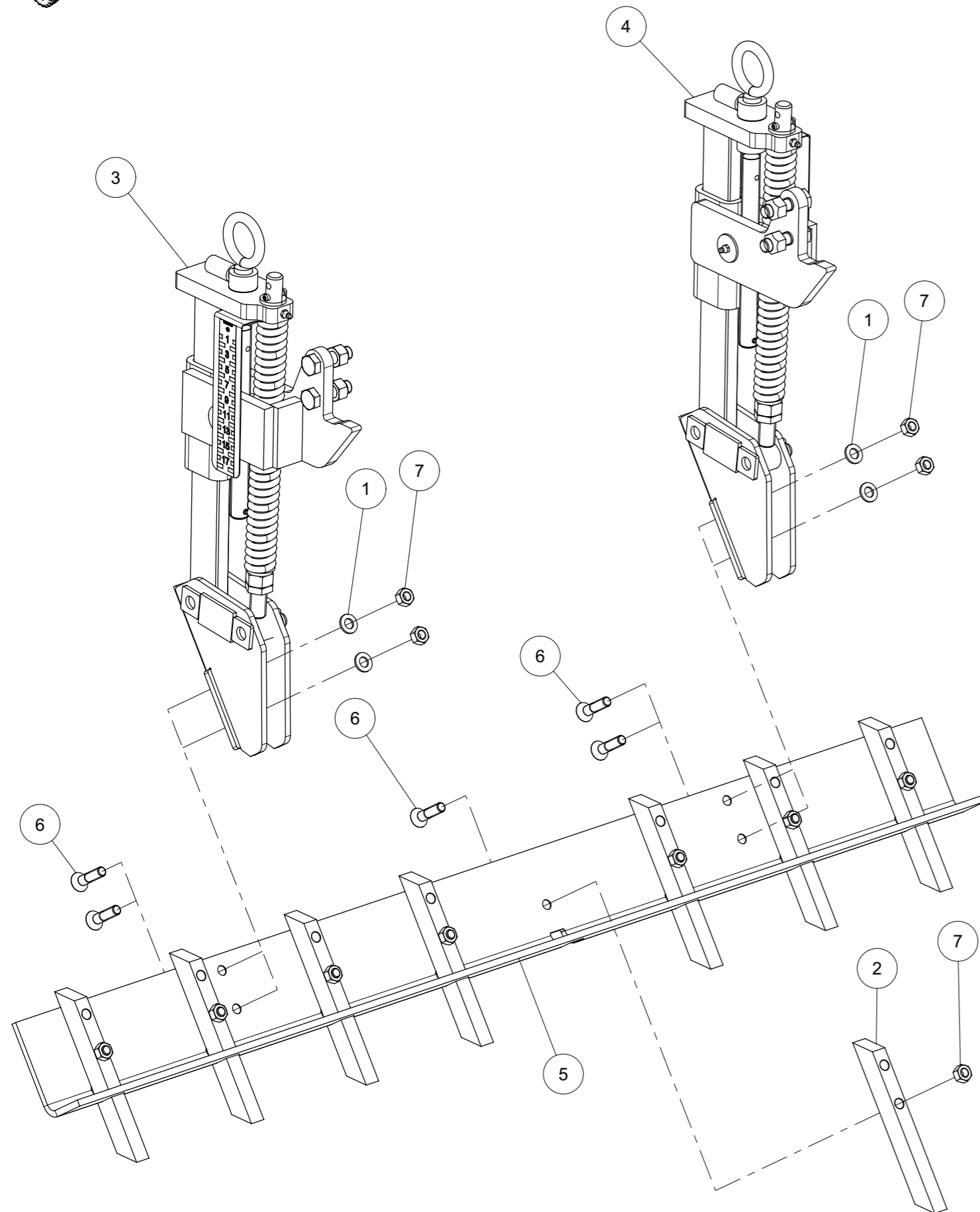
| Index | Quantity | Reference  | Designation  |
|-------|----------|------------|--|
| 1     | 1        | 6258.03.10 | Train denté section médiane cpl.<br>Tine trailer midsection cpl. |
| 2     | 1        | 6258.03.20 | Train denté droit cpl.<br>Tine trailer right cpl.                |
| 3     | 1        | 6258.03.30 | Train denté gauche cpl.<br>Tiné trailer left cpl.                |





*Train denté section médiane cpl.*

*Tine trailer midsection cpl.*

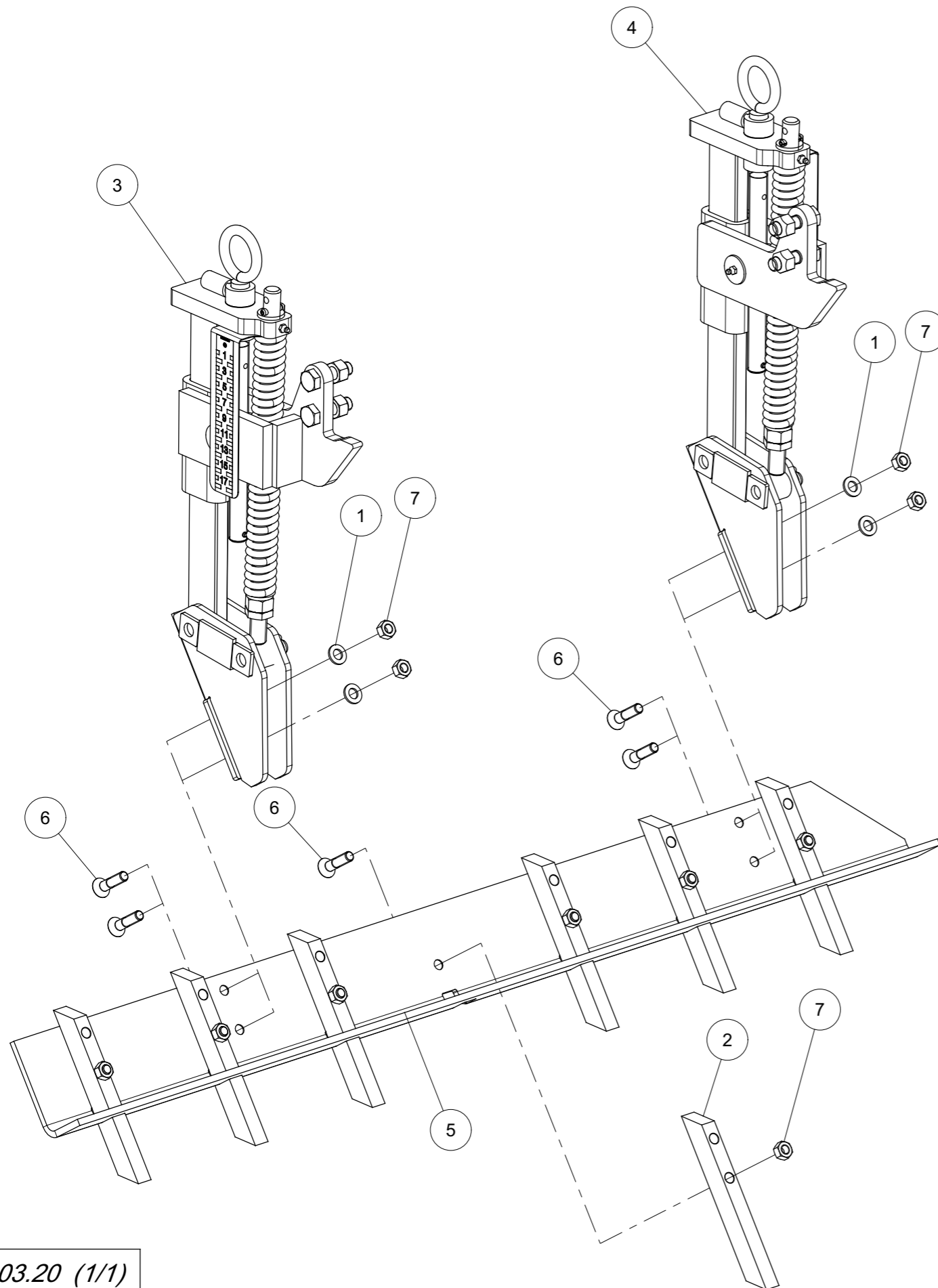


| Index | Quantity | Reference   | Designation   |
|-------|----------|-------------|---|
| 1     | 4        | 125DA13A    | Rondelle A 13 ISO7089 ZNBL<br>Washer A 13 ISO7089 Zinc.                       |
| 2     | 8        | 6253.48.01  | Dent<br>Tine  |
| 3     | 1        | 6258.03.34  | Ensemble de ressort gauche série 1 cpl.<br>Spring assembly left series 1 cpl. |
| 4     | 1        | 6258.03.35  | Ensemble de ressort gauche série 2 cpl.<br>Spring assemble left series 2 cpl. |
| 5     | 1        | 6258.03.90  | Angle tôle au milieu<br>Angle sheet metal midst                               |
| 6     | 12       | 7991D1250PA | Vis FHc M12x50 ISO10642-8.8 ZNBL<br>Screw FHc M12x50 ISO10642-8.8 ZNBL        |
| 7     | 12       | 934D12PA    | Ecrou std H M12 - pas 175 Zingue<br>Nut std H M12 - thread 175 Zingue         |



*Train denté droit cpl.*

*Tine trailer right cpl.*

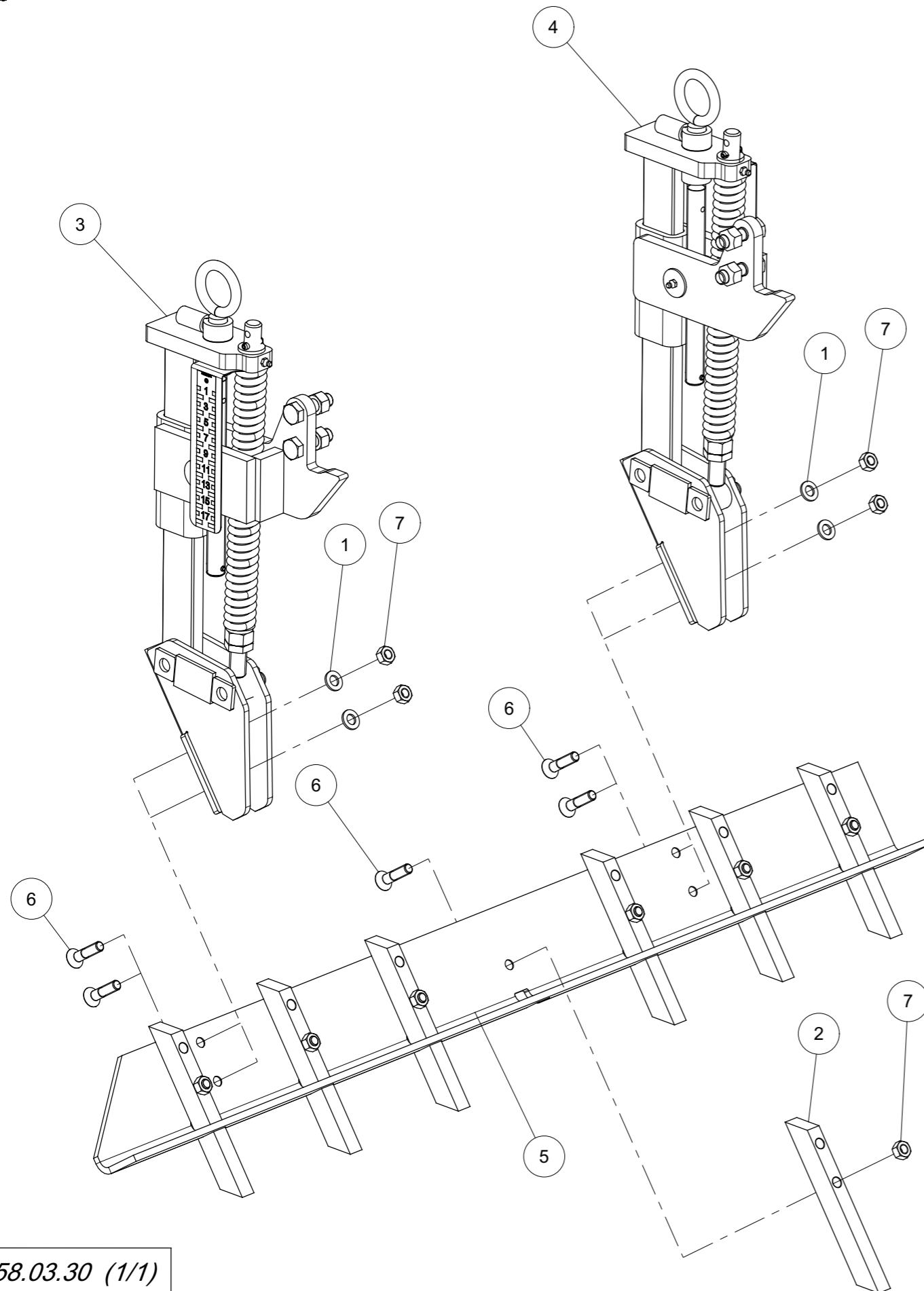


| Index | Quantity | Reference   | Designation   |
|-------|----------|-------------|---|
| 1     | 4        | 125DA13A    | Rondelle A 13 ISO7089 ZNBL<br>Washer A 13 ISO7089 Zinc.                       |
| 2     | 7        | 6253.48.01  | Dent<br>Tine  |
| 3     | 1        | 6258.03.34  | Ensemble de ressort gauche série 1 cpl.<br>Spring assembly left series 1 cpl. |
| 4     | 1        | 6258.03.35  | Ensemble de ressort gauche série 2 cpl.<br>Spring assemble left series 2 cpl. |
| 5     | 1        | 6258.03.81  | Angle tôle droite<br>Angle sheet metal right                                  |
| 6     | 11       | 7991D1250PA | Vis FHc M12x50 ISO10642-8.8 ZNBL<br>Screw FHc M12x50 ISO10642-8.8 ZNBL        |
| 7     | 11       | 934D12PA    | Ecrou std H M12 - pas 175 Zingue<br>Nut std H M12 - thread 175 Zingue         |



*Train denté gauche cpl.*

*Tiné trailer left cpl.*



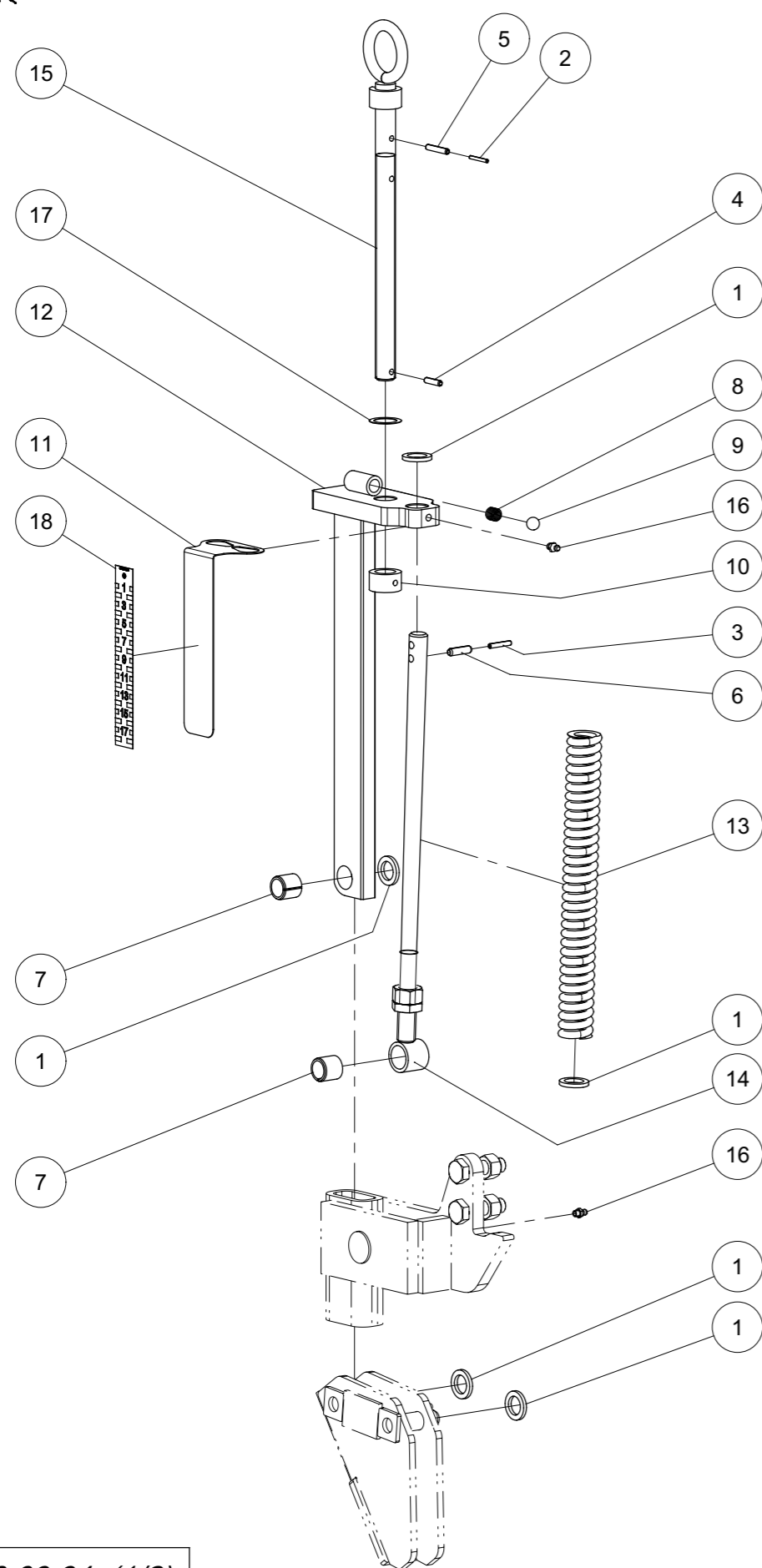
| Index | Quantity | Reference   | Designation   |
|-------|----------|-------------|---|
| 1     | 4        | 125DA13A    | Rondelle A 13 ISO7089 ZNBL<br>Washer A 13 ISO7089 Zinc.                       |
| 2     | 7        | 6253.48.01  | Dent<br>Tine  |
| 3     | 1        | 6258.03.34  | Ensemble de ressort gauche série 1 cpl.<br>Spring assembly left series 1 cpl. |
| 4     | 1        | 6258.03.35  | Ensemble de ressort gauche série 2 cpl.<br>Spring assemble left series 2 cpl. |
| 5     | 1        | 6258.03.85  | Angle tôle gauche<br>Angle sheet metal left                                   |
| 6     | 11       | 7991D1250PA | Vis FHc M12x50 ISO10642-8.8 ZNBL<br>Screw FHc M12x50 ISO10642-8.8 ZNBL        |
| 7     | 11       | 934D12PA    | Ecrou std H M12 - pas 175 Zingue<br>Nut std H M12 - thread 175 Zingue         |





*Ensemble de ressort gauche série 1 cpl.*

*Spring assembly left series 1 cpl.*



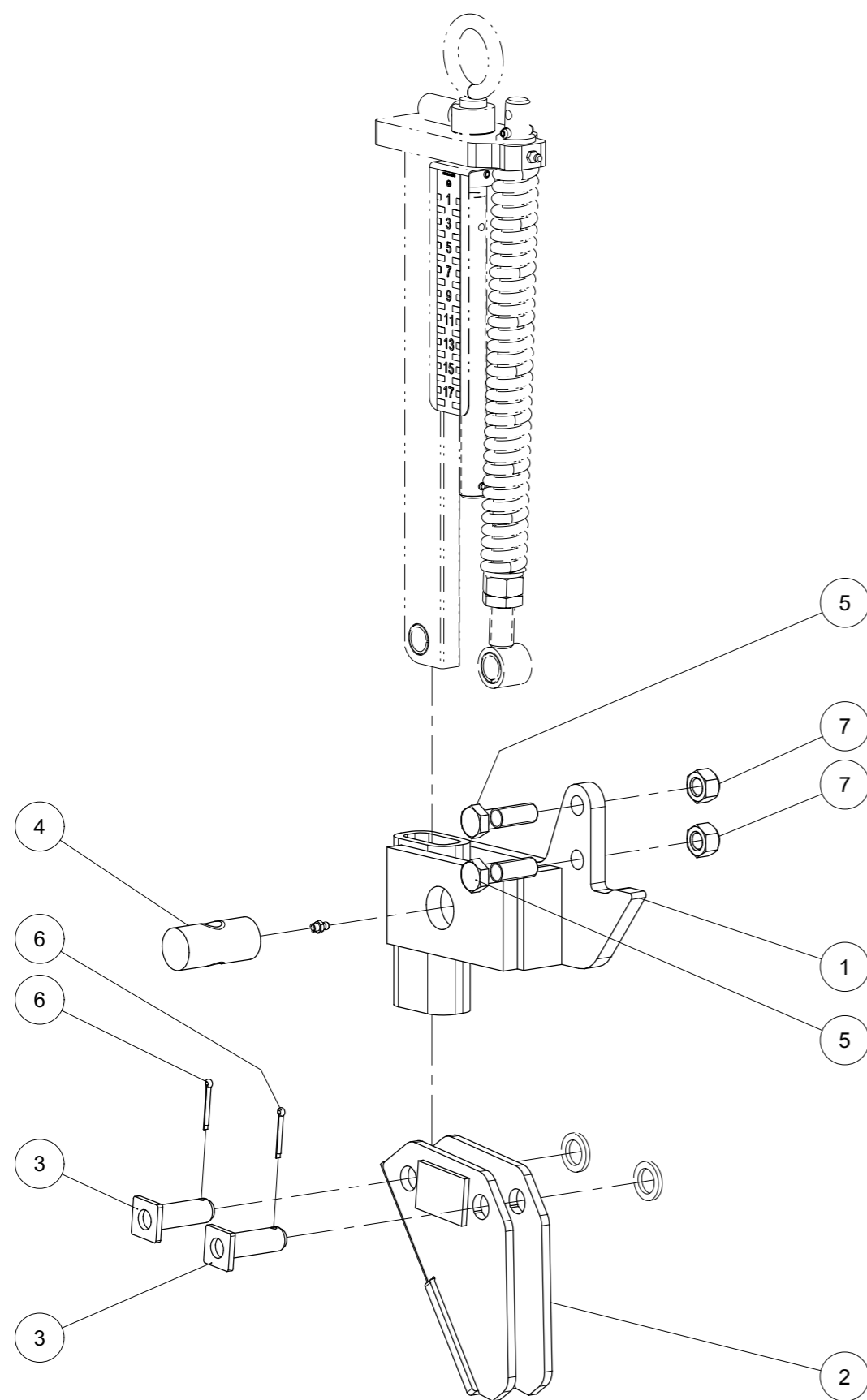
| Index | Quantity | Reference   | Designation  |
|-------|----------|-------------|--|
| 1     | 5        | 1441D21A    | Rondelle 21 DIN1441 Z<br>Washer 21 DIN1441 Z                           |
| 2     | 1        | 1481D3.530A | Goupille elastique 3,5 X 30 ISO8752 Z<br>Spring Pin 3,5 X 30 ISO8752 Z |
| 3     | 1        | 1481D530A   | Goupille elastique 5 X 30 ISO8752 Z<br>Spring Pin 5 X 30 ISO8752 Z     |
| 4     | 1        | 1481D626A   | Goupille elastique 6 X 26 ISO8752 Z<br>Spring Pin 6 X 26 ISO8752 Z     |
| 5     | 1        | 1481D636A   | Goupille elastique 6 X 36 ISO8752 Z<br>Spring Pin 6 X 36 ISO8752 Z     |
| 6     | 1        | 1481D830    | Goupille elastique 8 X 30 ISO8752<br>Spring Pin 8 X 30 ISO8752         |
| 7     | 2        | 1498D202624 | Douille EG 20/26x24 DIN1498<br>Bush EG 20/26x24 DIN1498                |
| 8     | 1        | 4716.12.00  | Ressort de compression<br>Compression Spring                           |
| 9     | 1        | 4716.36.00  | Bille<br>Ball  |
| 10    | 1        | 6258.03.02  | Bague de butée<br>Stop ring  |
| 11    | 1        | 6258.03.75  | Échelle de tôle<br>Scale sheet metal                                   |
| 12    | 1        | 6337.43.20  | Tige soudée<br>Stalk welded  |
| 13    | 1        | 6337.48.15  | Ressort de compression DF-269.5<br>Compression spring DF-269.5         |
| 14    | 1        | 6337.81.01  | Bras soudée<br>Compression rod welded                                  |
| 15    | 1        | 6464.07.39  | Broche soudé<br>Spindle welded   |
| 16    | 2        | 71412DA81   | Graisseur H1-M 8x1 -180<br>Grease Nipple H1-M 8x1 -180                 |
| 17    | 1        | 988D25350.5 | Rondelle 25x 35x0,5 DIN988<br>Washer 25x 35x0,5 DIN988                 |
| 18    | 1        | 9998.09.04  | Échelle d'autocollant<br>Sticker scale                                 |





*Ensemble de ressort gauche série 1 cpl.*

*Spring assembly left series 1 cpl.*

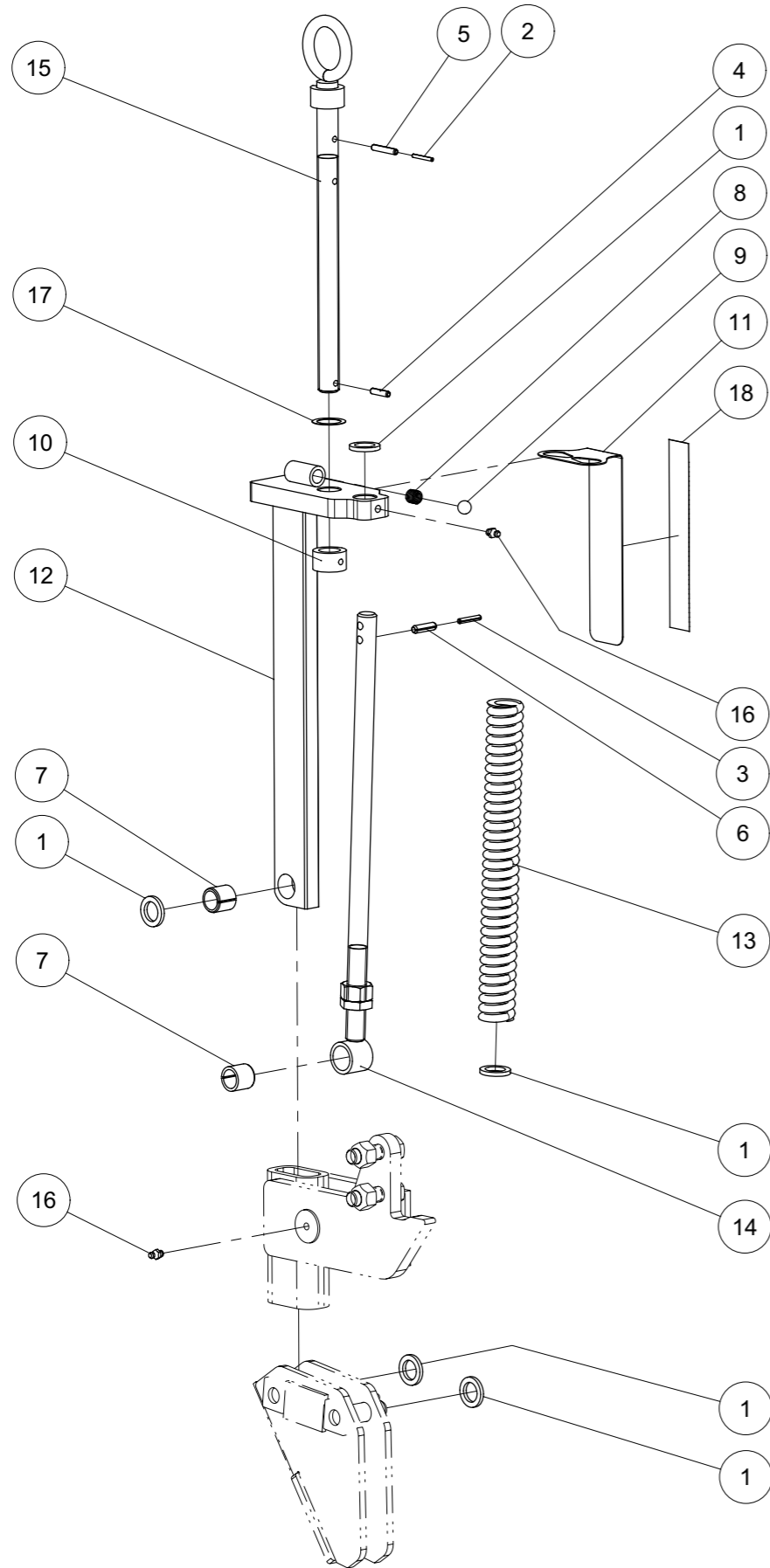


| Index | Quantity | Reference  | Designation   |
|-------|----------|------------|---|
| 1     | 1        | 6258.03.61 | Support gauche soudé<br>Bracket left welded               |
| 2     | 1        | 6258.03.95 | Support soudé version 1<br>Welded holder version 1        |
| 3     | 2        | 6337.45.03 | Axe sécurité D20-53.5<br>Safety pin D20-53.5              |
| 4     | 1        | 6806.34.03 | Ecrou de la vis Tr. 22x5<br>Spindle nut Tr. 22x5          |
| 5     | 2        | 931D1655PA | Vis H M16 x 55 ZNBL 8.8<br>Hex. Screw M16 x 55 Zinc 8.8   |
| 6     | 2        | 94D432     | Goupille fendue 4x 32 ISO1234<br>cotter pin 4x 32 ISO1234 |
| 7     | 2        | 980DV16PA  | Ecrou M16 ZNBL 8.8<br>Nut M16 Zinc 8.8                    |



*Ensemble de ressort gauche série 2 cpl.*

*Spring assemble left series 2 cpl.*



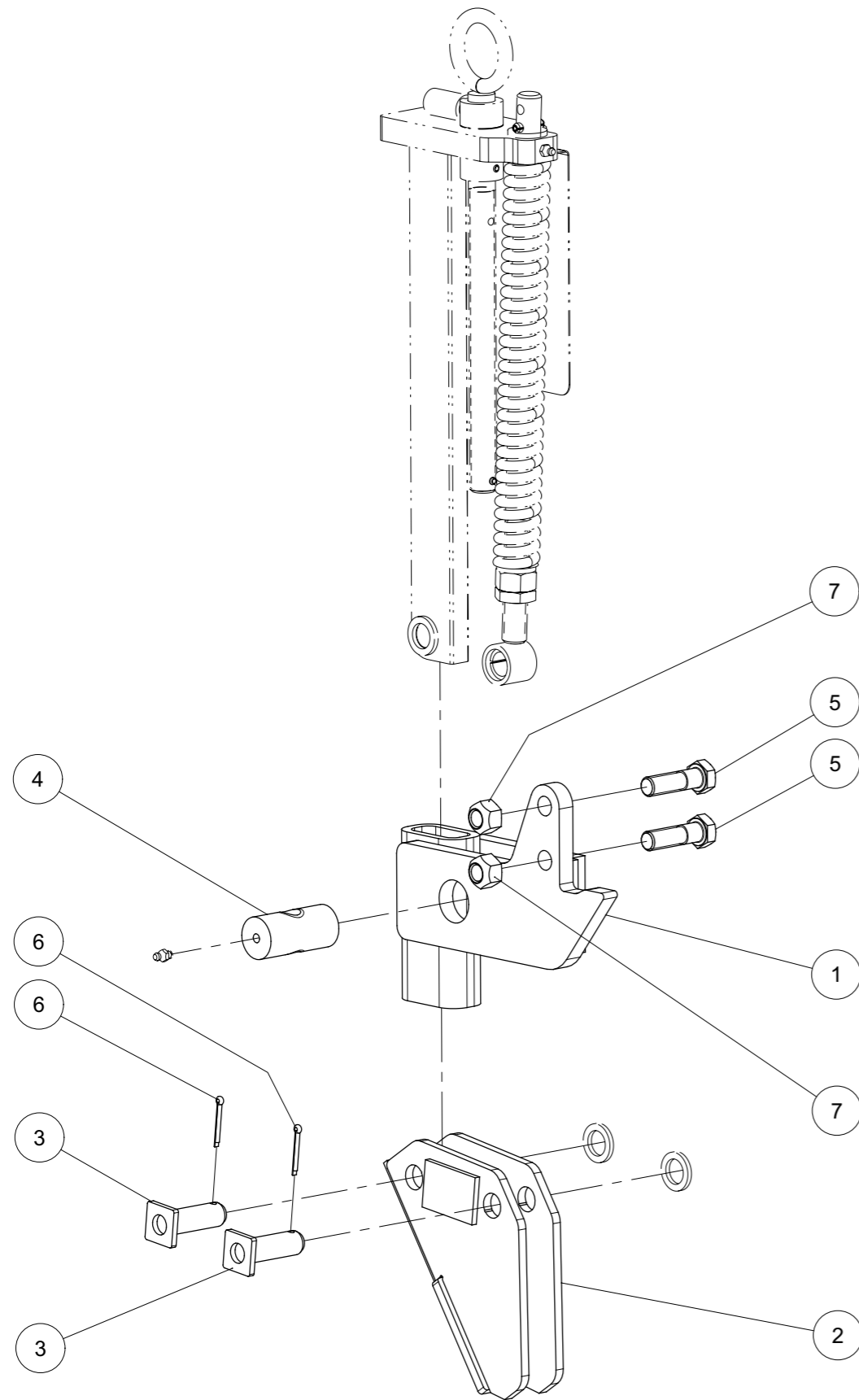
| Index | Quantity | Reference   | Designation  |
|-------|----------|-------------|--|
| 1     | 5        | 1441D21A    | Rondelle 21 DIN1441 Z<br>Washer 21 DIN1441 Z                           |
| 2     | 1        | 1481D3.530A | Goupille elastique 3,5 X 30 ISO8752 Z<br>Spring Pin 3,5 X 30 ISO8752 Z |
| 3     | 1        | 1481D530A   | Goupille elastique 5 X 30 ISO8752 Z<br>Spring Pin 5 X 30 ISO8752 Z     |
| 4     | 1        | 1481D626A   | Goupille elastique 6 X 26 ISO8752 Z<br>Spring Pin 6 X 26 ISO8752 Z     |
| 5     | 1        | 1481D636A   | Goupille elastique 6 X 36 ISO8752 Z<br>Spring Pin 6 X 36 ISO8752 Z     |
| 6     | 1        | 1481D830    | Goupille elastique 8 X 30 ISO8752<br>Spring Pin 8 X 30 ISO8752         |
| 7     | 2        | 1498D202624 | Douille EG 20/26x24 DIN1498<br>Bush EG 20/26x24 DIN1498                |
| 8     | 1        | 4716.12.00  | Ressort de compression<br>Compression Spring                           |
| 9     | 1        | 4716.36.00  | Bille<br>Ball  |
| 10    | 1        | 6258.03.02  | Bague de butée<br>Stop ring  |
| 11    | 1        | 6258.03.75  | Échelle de tôle<br>Scale sheet metal                                   |
| 12    | 1        | 6337.43.20  | Tige soudée<br>Stalk welded  |
| 13    | 1        | 6337.48.15  | Ressort de compression DF-269.5<br>Compression spring DF-269.5         |
| 14    | 1        | 6337.81.01  | Bras soudée<br>Compression rod welded                                  |
| 15    | 1        | 6464.07.39  | Broche soudé<br>Spindle welded   |
| 16    | 2        | 71412DA81   | Graisseur H1-M 8x1 -180<br>Grease Nipple H1-M 8x1 -180                 |
| 17    | 1        | 988D25350.5 | Rondelle 25x 35x0,5 DIN988<br>Washer 25x 35x0,5 DIN988                 |
| 18    | 1        | 9998.09.04  | Échelle d'autocollant<br>Sticker scale                                 |



*Ensemble de ressort gauche série 2 cpl.*

*Spring assemble left series 2 cpl.*

| Index | Quantity | Reference  | Designation   |
|-------|----------|------------|---|
| 1     | 1        | 6258.03.64 | Support droit soudé<br>Bracket right welded               |
| 2     | 1        | 6258.03.95 | Support soudé version 1<br>Welded holder version 1        |
| 3     | 2        | 6337.45.03 | Axe sécurité D20-53.5<br>Safety pin D20-53.5              |
| 4     | 1        | 6806.34.03 | Ecrou de la vis Tr. 22x5<br>Spindle nut Tr. 22x5          |
| 5     | 2        | 931D1655PA | Vis H M16 x 55 ZNBL 8.8<br>Hex. Screw M16 x 55 Zinc 8.8   |
| 6     | 2        | 94D432     | Goupille fendue 4x 32 ISO1234<br>cotter pin 4x 32 ISO1234 |
| 7     | 2        | 980DV16PA  | Ecrou M16 ZNBL 8.8<br>Nut M16 Zinc 8.8                    |

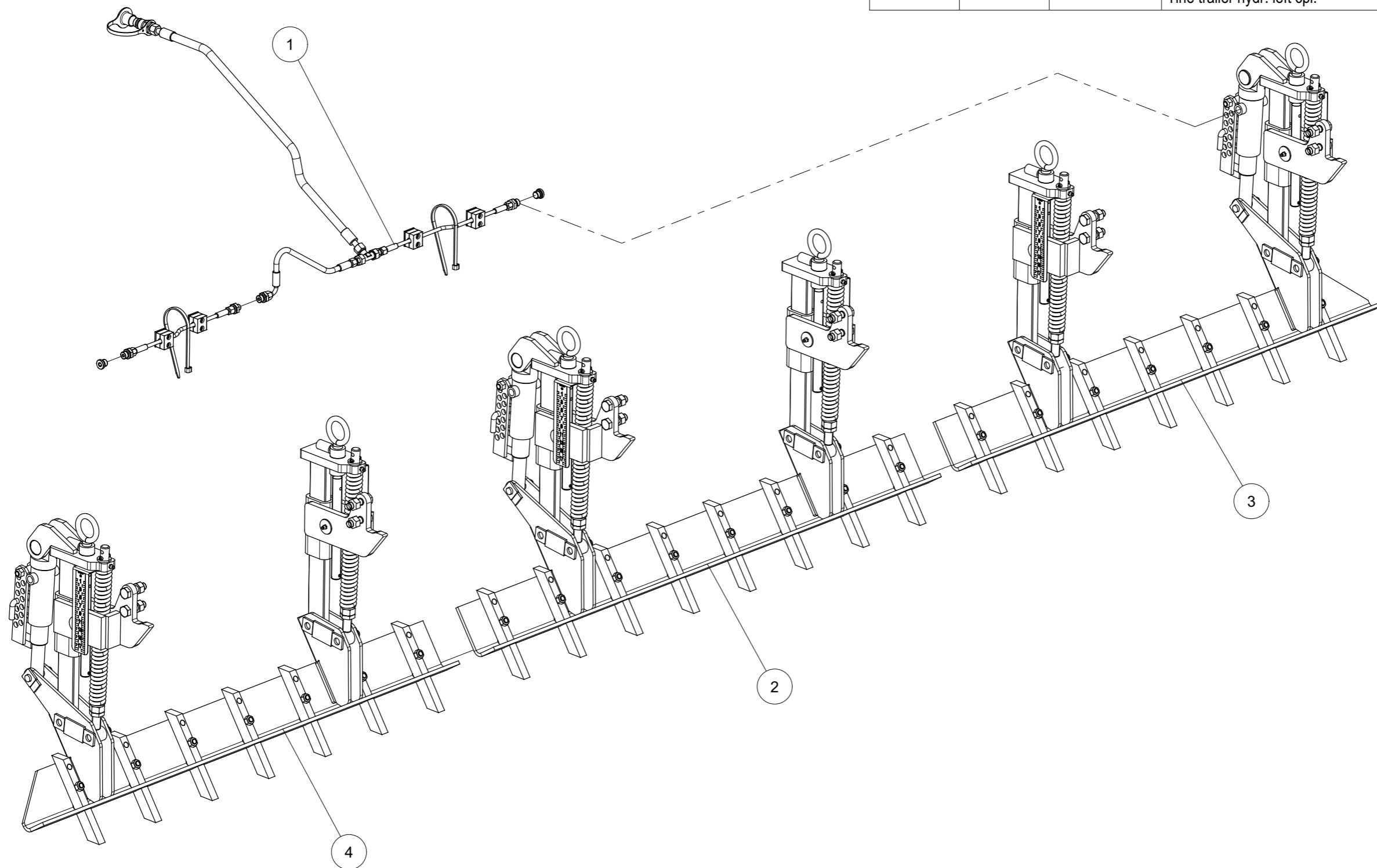




*Train denté hydr. 4501 L (S) cpl.*

*Tain trailer hydr. 4501 L (S) cpl.*

| Index | Quantity | Reference  | Designation  |
|-------|----------|------------|--|
| 1     | 1        | 6253.91.01 | Hydr. Train denté 4500<br>Hydr. Tine trailer 4500  |
| 2     | 1        | 6258.04.10 | Train denté hydr. section médiane version 1 cpl.<br>Tine trailer hydr. midsection version 1 cpl. |
| 3     | 1        | 6258.04.20 | Train denté hydr. droit cpl.<br>Tine trailer hydr. right cpl.                                    |
| 4     | 1        | 6258.04.30 | Train denté hydr. gauche cpl.<br>Tine trailer hydr. left cpl.                                    |

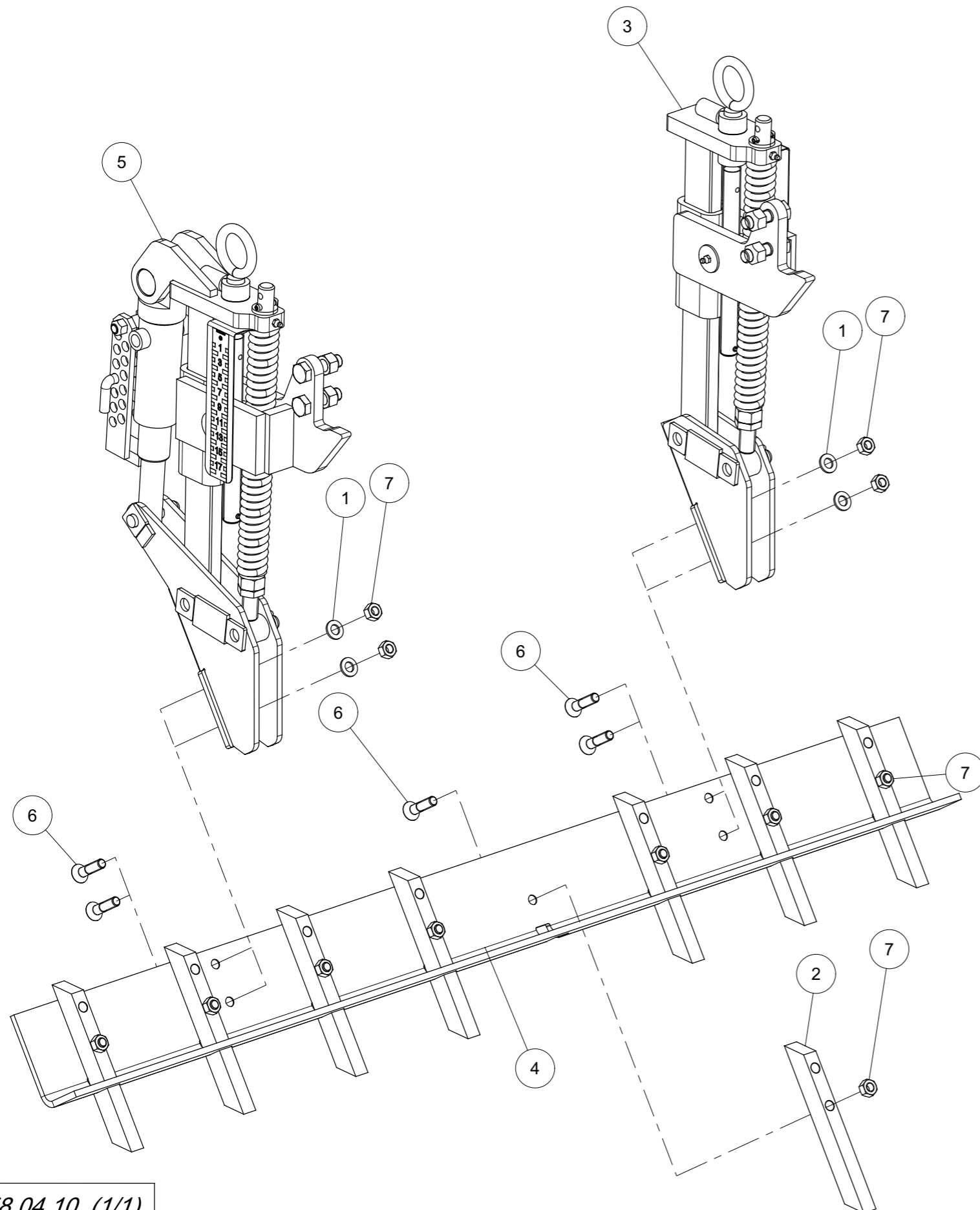




*Train denté hydr. section médiane version 1 cpl.*

*Tine trailer hydr. midsection version 1 cpl.*

| Index | Quantity | Reference   | Designation   |
|-------|----------|-------------|---|
| 1     | 4        | 125DA13A    | Rondelle A 13 ISO7089 ZNBL<br>Washer A 13 ISO7089 Zinc.                       |
| 2     | 8        | 6253.48.01  | Dent<br>Tine  |
| 3     | 1        | 6258.03.35  | Ensemble de ressort gauche série 2 cpl.<br>Spring assemble left series 2 cpl. |
| 4     | 1        | 6258.03.90  | Angle tôle au milieu<br>Angle sheet metal midst                               |
| 5     | 1        | 6258.04.37  | Ensemble de ressort série 4 cpl.<br>Spring assemble series 4 cpl.             |
| 6     | 12       | 7991D1250PA | Vis FHc M12x50 ISO10642-8.8 ZNBL<br>Screw FHc M12x50 ISO10642-8.8 ZNBL        |
| 7     | 12       | 934D12PA    | Ecrou std H M12 - pas 175 Zingue<br>Nut std H M12 - thread 175 Zingue         |

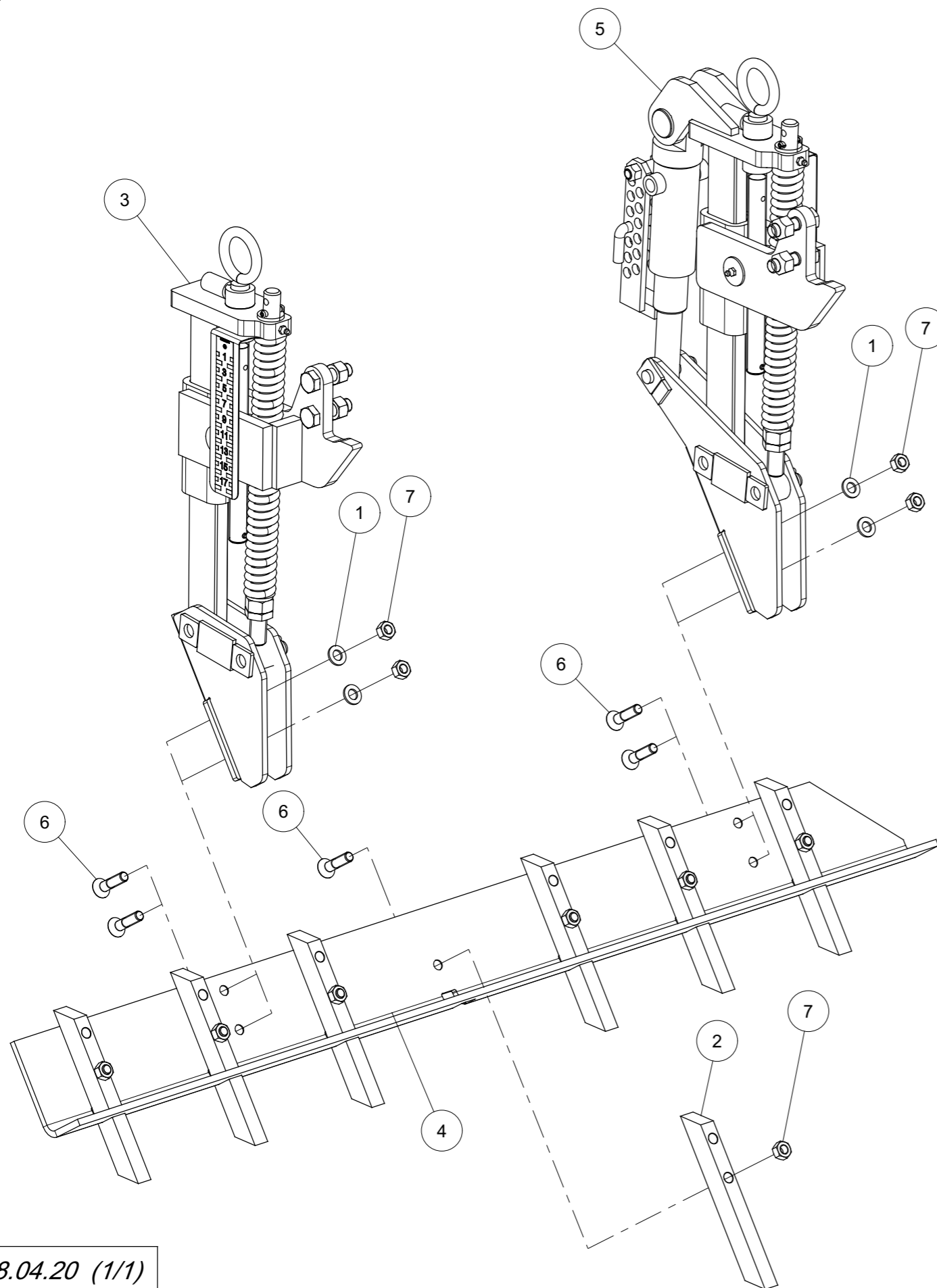






*Train denté hydr. droit cpl.*

*Tine trailer hydr. right cpl.*



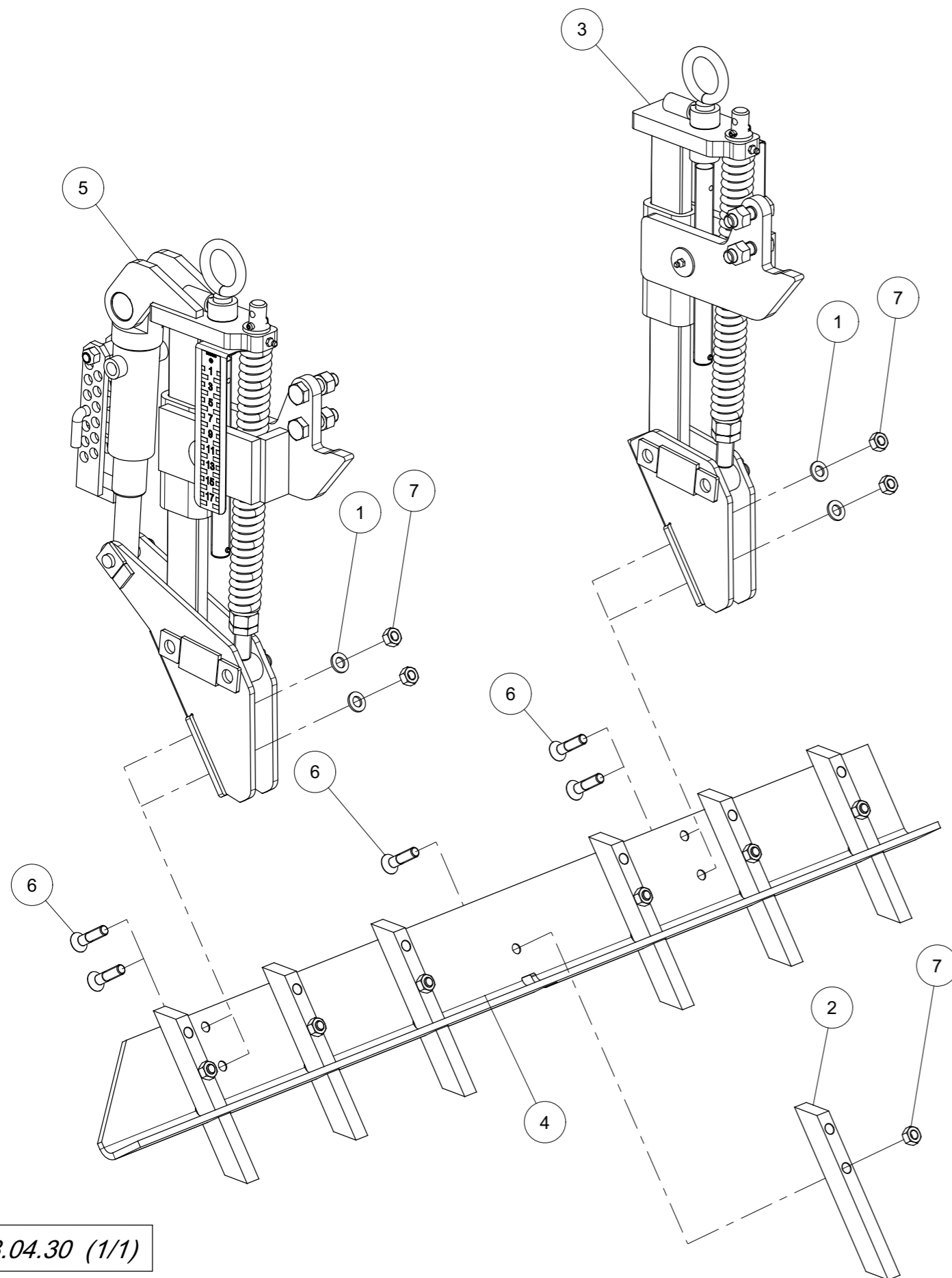
| Index | Quantity | Reference   | Designation   |
|-------|----------|-------------|---|
| 1     | 4        | 125DA13A    | Rondelle A 13 ISO7089 ZNBL<br>Washer A 13 ISO7089 Zinc.                       |
| 2     | 7        | 6253.48.01  | Dent<br>Tine  |
| 3     | 1        | 6258.03.34  | Ensemble de ressort gauche série 1 cpl.<br>Spring assembly left series 1 cpl. |
| 4     | 1        | 6258.03.81  | Angle tôle droite<br>Angle sheet metal right                                  |
| 5     | 1        | 6258.04.38  | Ensemble de ressort série 5 cpl.<br>Spring assemble series 5 cpl.             |
| 6     | 11       | 7991D1250PA | Vis FHc M12x50 ISO10642-8.8 ZNBL<br>Screw FHc M12x50 ISO10642-8.8 ZNBL        |
| 7     | 11       | 934D12PA    | Ecrou std H M12 - pas 175 Zingue<br>Nut std H M12 - thread 175 Zingue         |





*Train denté hydr. gauche cpl.*

*Tine trailer hydr. left cpl.*

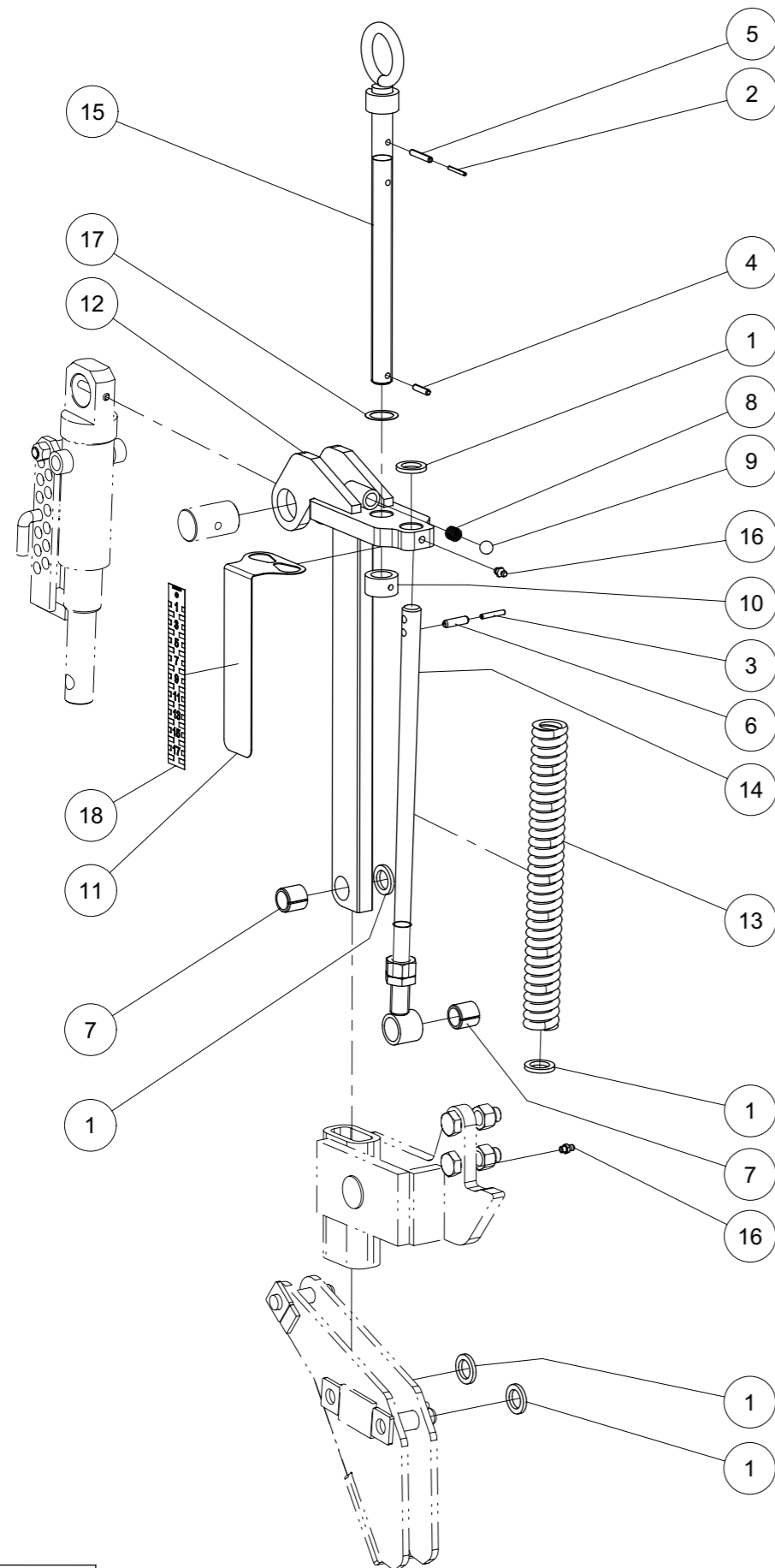


| Index | Quantity | Reference   | Designation   |
|-------|----------|-------------|---|
| 1     | 4        | 125DA13A    | Rondelle A 13 ISO7089 ZNBL<br>Washer A 13 ISO7089 Zinc.                       |
| 2     | 7        | 6253.48.01  | Dent<br>Tine  |
| 3     | 1        | 6258.03.35  | Ensemble de ressort gauche série 2 cpl.<br>Spring assemble left series 2 cpl. |
| 4     | 1        | 6258.03.85  | Angle tôle gauche<br>Angle sheet metal left                                   |
| 5     | 1        | 6258.04.37  | Ensemble de ressort série 4 cpl.<br>Spring assemble series 4 cpl.             |
| 6     | 11       | 7991D1250PA | Vis FHc M12x50 ISO10642-8.8 ZNBL<br>Screw FHc M12x50 ISO10642-8.8 ZNBL        |
| 7     | 11       | 934D12PA    | Ecrou std H M12 - pas 175 Zingue<br>Nut std H M12 - thread 175 Zingue         |



*Ensemble de ressort série 4 cpl.*

*Spring assemble series 4 cpl.*

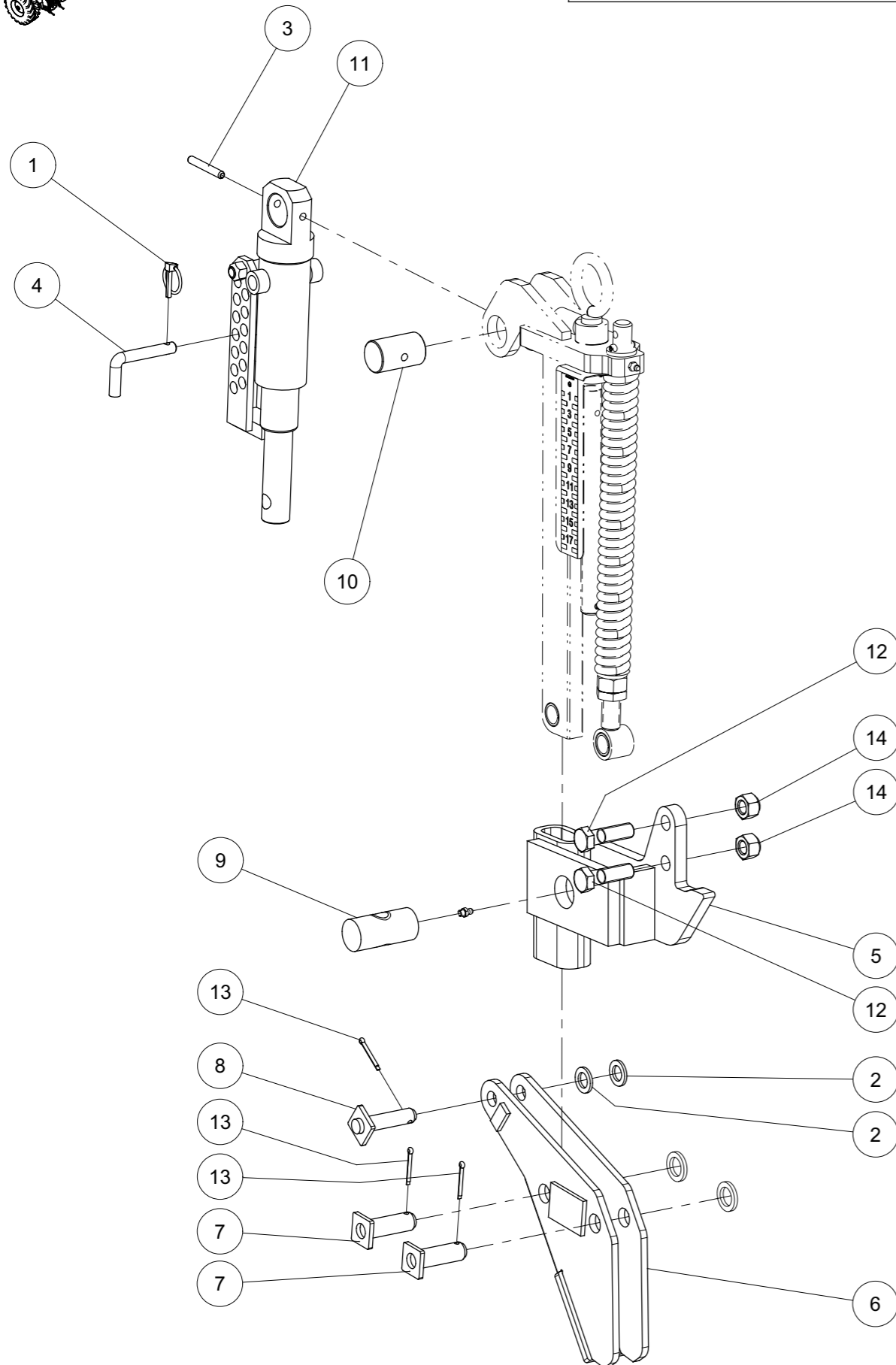


| Index | Quantity | Reference   | Designation  |
|-------|----------|-------------|--|
| 1     | 5        | 1441D21A    | Rondelle 21 DIN1441 Z<br>Washer 21 DIN1441 Z                           |
| 2     | 1        | 1481D3.530A | Goupille elastique 3,5 X 30 ISO8752 Z<br>Spring Pin 3,5 X 30 ISO8752 Z |
| 3     | 1        | 1481D530A   | Goupille elastique 5 X 30 ISO8752 Z<br>Spring Pin 5 X 30 ISO8752 Z     |
| 4     | 1        | 1481D626A   | Goupille elastique 6 X 26 ISO8752 Z<br>Spring Pin 6 X 26 ISO8752 Z     |
| 5     | 1        | 1481D636A   | Goupille elastique 6 X 36 ISO8752 Z<br>Spring Pin 6 X 36 ISO8752 Z     |
| 6     | 1        | 1481D830    | Goupille elastique 8 X 30 ISO8752<br>Spring Pin 8 X 30 ISO8752         |
| 7     | 2        | 1498D202624 | Douille EG 20/26x24 DIN1498<br>Bush EG 20/26x24 DIN1498                |
| 8     | 1        | 4716.12.00  | Ressort de compression<br>Compression Spring                           |
| 9     | 1        | 4716.36.00  | Bille<br>Ball  |
| 10    | 1        | 6258.03.02  | Bague de butée<br>Stop ring  |
| 11    | 1        | 6258.03.75  | Échelle de tôle<br>Scale sheet metal                                   |
| 12    | 1        | 6337.43.22  | Tige soudé<br>Stalk welded   |
| 13    | 1        | 6337.48.15  | Ressort de compression DF-269.5<br>Compression spring DF-269.5         |
| 14    | 1        | 6337.81.01  | Bras soudée<br>Compression rod welded                                  |
| 15    | 1        | 6464.07.39  | Broche soudé<br>Spindle welded   |
| 16    | 2        | 71412DA81   | Graisseur H1-M 8x1 -180<br>Grease Nipple H1-M 8x1 -180                 |
| 17    | 1        | 988D25350.5 | Rondelle 25x 35x0,5 DIN988<br>Washer 25x 35x0,5 DIN988                 |
| 18    | 1        | 9998.09.04  | Échelle d'autocollant<br>Sticker scale                                 |



*Ensemble de ressort série 4 cpl.*

*Spring assemble series 4 cpl.*

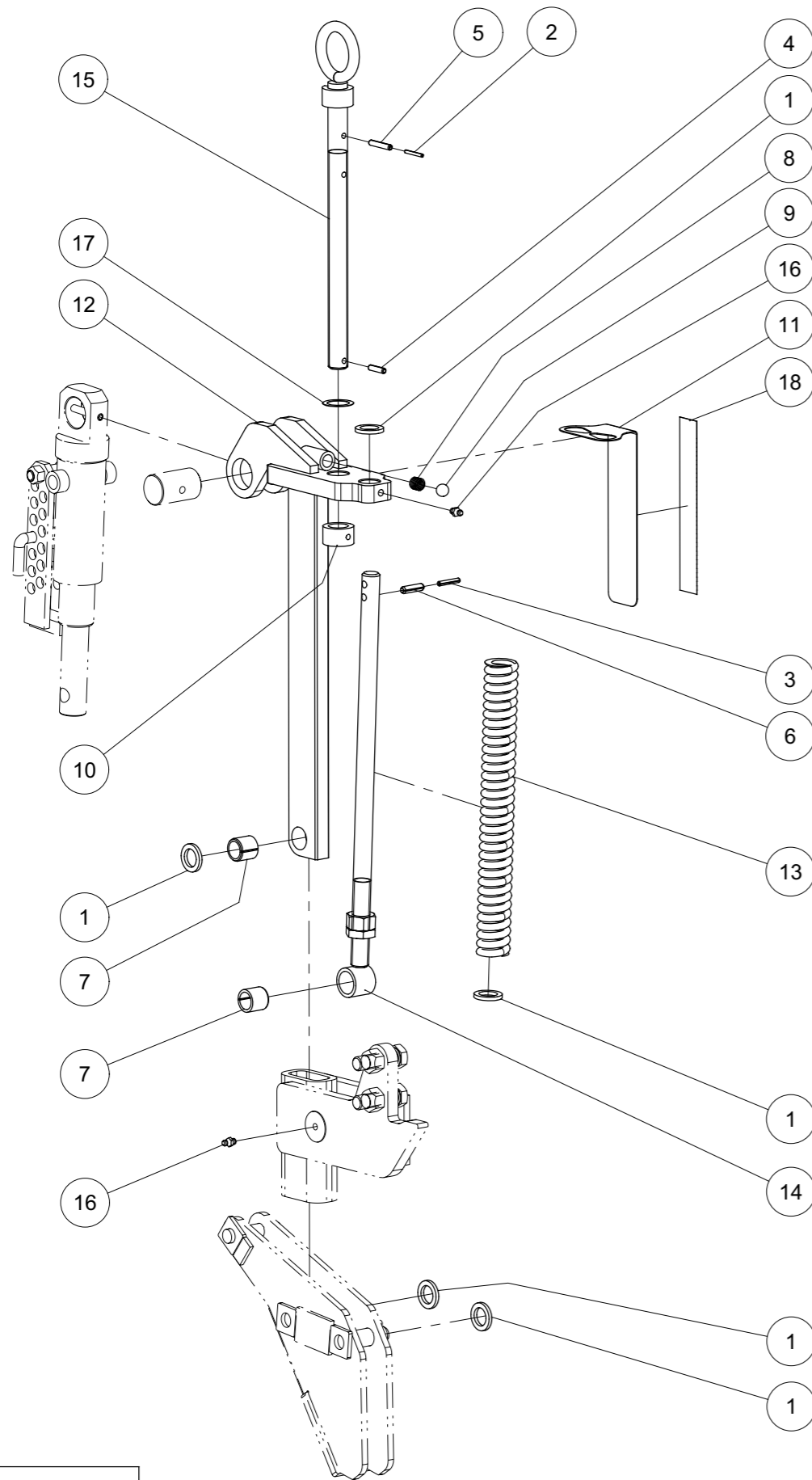


| Index | Quantity | Reference  | Designation  |
|-------|----------|------------|--|
| 1     | 1        | 11023D532A | Goupille "Clips" Dia 5 Z<br>Lynch pin Dia5                         |
| 2     | 2        | 1441D17A   | Rondelle 17 DIN1441 Z<br>Washer 17 DIN1441 Z                       |
| 3     | 1        | 1481D860A  | Goupille elastique 8 X 60 ISO8752 Z<br>Spring Pin 8 X 60 ISO8752 Z |
| 4     | 1        | 6241.29.02 | Axe TB-12x50<br>Pin TB-12x50                                       |
| 5     | 1        | 6258.03.61 | Support gauche soudé<br>Bracket left welded                        |
| 6     | 1        | 6258.04.92 | Support soudé version 2<br>Welded holder version 2                 |
| 7     | 2        | 6337.45.03 | Axe sécurité D20-53.5<br>Safety pin D20-53.5                       |
| 8     | 1        | 6349.16.01 | Axe D16-56<br>Pin D16-56   |
| 9     | 1        | 6806.34.03 | Ecrou de la vis Tr. 22x5<br>Spindle nut Tr. 22x5                   |
| 10    | 1        | 8163.01.01 | Axe D35x57 mm<br>Pin D35x57 mm                                     |
| 11    | 1        | 8171.48.01 | Cylindre 45/40/96/310 monté<br>Cylinder 45/40/96/310 mounted       |
| 12    | 2        | 931D1655PA | Vis H M16 x 55 ZNBL 8.8<br>Hex. Screw M16 x 55 Zinc 8.8            |
| 13    | 3        | 94D432     | Goupille fendue 4x 32 ISO1234<br>cotter pin 4x 32 ISO1234          |
| 14    | 2        | 980DV16PA  | Ecrou M16 ZNBL 8.8<br>Nut M16 Zinc 8.8                             |



*Ensemble de ressort série 5 cpl.*

*Spring assemble series 5 cpl.*

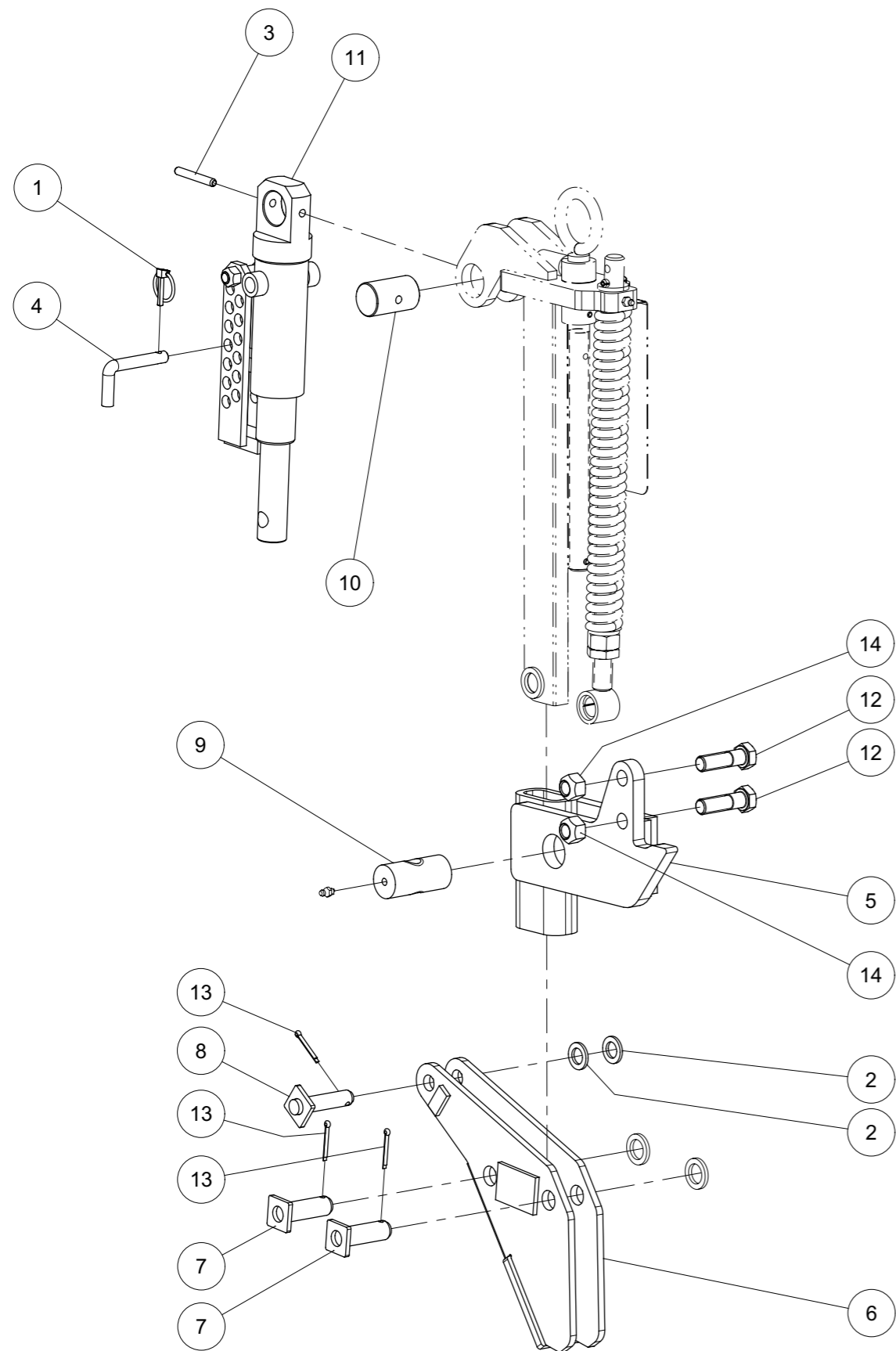


| Index | Quantity | Reference   | Designation  |
|-------|----------|-------------|--|
| 1     | 5        | 1441D21A    | Rondelle 21 DIN1441 Z<br>Washer 21 DIN1441 Z                           |
| 2     | 1        | 1481D3.530A | Goupille elastique 3,5 X 30 ISO8752 Z<br>Spring Pin 3,5 X 30 ISO8752 Z |
| 3     | 1        | 1481D530A   | Goupille elastique 5 X 30 ISO8752 Z<br>Spring Pin 5 X 30 ISO8752 Z     |
| 4     | 1        | 1481D626A   | Goupille elastique 6 X 26 ISO8752 Z<br>Spring Pin 6 X 26 ISO8752 Z     |
| 5     | 1        | 1481D636A   | Goupille elastique 6 X 36 ISO8752 Z<br>Spring Pin 6 X 36 ISO8752 Z     |
| 6     | 1        | 1481D830    | Goupille elastique 8 X 30 ISO8752<br>Spring Pin 8 X 30 ISO8752         |
| 7     | 2        | 1498D202624 | Douille EG 20/26x24 DIN1498<br>Bush EG 20/26x24 DIN1498                |
| 8     | 1        | 4716.12.00  | Ressort de compression<br>Compression Spring                           |
| 9     | 1        | 4716.36.00  | Bille<br>Ball  |
| 10    | 1        | 6258.03.02  | Bague de butée<br>Stop ring  |
| 11    | 1        | 6258.03.75  | Échelle de tôle<br>Scale sheet metal                                   |
| 12    | 1        | 6337.43.22  | Tige soudé<br>Stalk welded   |
| 13    | 1        | 6337.48.15  | Ressort de compression DF-269.5<br>Compression spring DF-269.5         |
| 14    | 1        | 6337.81.01  | Bras soudée<br>Compression rod welded                                  |
| 15    | 1        | 6464.07.39  | Broche soudé<br>Spindle welded   |
| 16    | 2        | 71412DA81   | Graisseur H1-M 8x1 -180<br>Grease Nipple H1-M 8x1 -180                 |
| 17    | 1        | 988D25350.5 | Rondelle 25x 35x0,5 DIN988<br>Washer 25x 35x0,5 DIN988                 |
| 18    | 1        | 9998.09.04  | Échelle d'autocollant<br>Sticker scale                                 |



*Ensemble de ressort série 5 cpl.*

*Spring assemble series 5 cpl.*



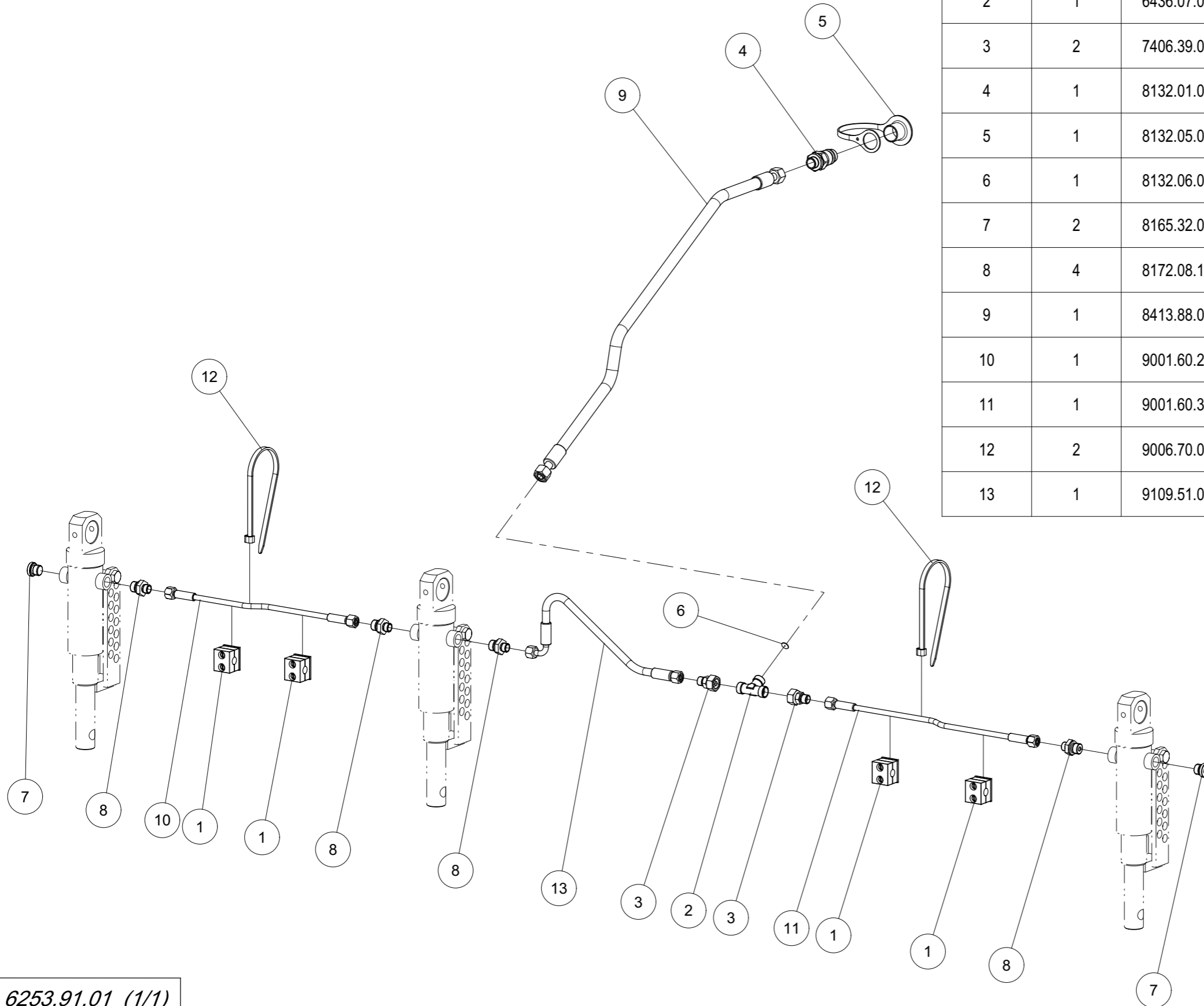
| Index | Quantity | Reference  | Designation  |
|-------|----------|------------|--|
| 1     | 1        | 11023D532A | Goupille "Clips" Dia 5 Z<br>Lynch pin Dia5                         |
| 2     | 2        | 1441D17A   | Rondelle 17 DIN1441 Z<br>Washer 17 DIN1441 Z                       |
| 3     | 1        | 1481D860A  | Goupille elastique 8 X 60 ISO8752 Z<br>Spring Pin 8 X 60 ISO8752 Z |
| 4     | 1        | 6241.29.02 | Axe TB-12x50<br>Pin TB-12x50                                       |
| 5     | 1        | 6258.03.64 | Support droit soudé<br>Bracket right welded                        |
| 6     | 1        | 6258.04.92 | Support soudé version 2<br>Welded holder version 2                 |
| 7     | 2        | 6337.45.03 | Axe sécurité D20-53.5<br>Safety pin D20-53.5                       |
| 8     | 1        | 6349.16.01 | Axe D16-56<br>Pin D16-56   |
| 9     | 1        | 6806.34.03 | Ecrou de la vis Tr. 22x5<br>Spindle nut Tr. 22x5                   |
| 10    | 1        | 8163.01.01 | Axe D35x57 mm<br>Pin D35x57 mm                                     |
| 11    | 1        | 8171.48.01 | Cylindre 45/40/96/310 monté<br>Cylinder 45/40/96/310 mounted       |
| 12    | 2        | 931D1655PA | Vis H M16 x 55 ZNBL 8.8<br>Hex. Screw M16 x 55 Zinc 8.8            |
| 13    | 3        | 94D432     | Goupille fendue 4x 32 ISO1234<br>cotter pin 4x 32 ISO1234          |
| 14    | 2        | 980DV16PA  | Ecrou M16 ZNBL 8.8<br>Nut M16 Zinc 8.8                             |





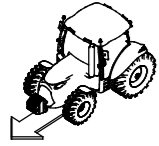
*Hydr. Train denté 4500*

*Hydr. Tine trailer 4500*



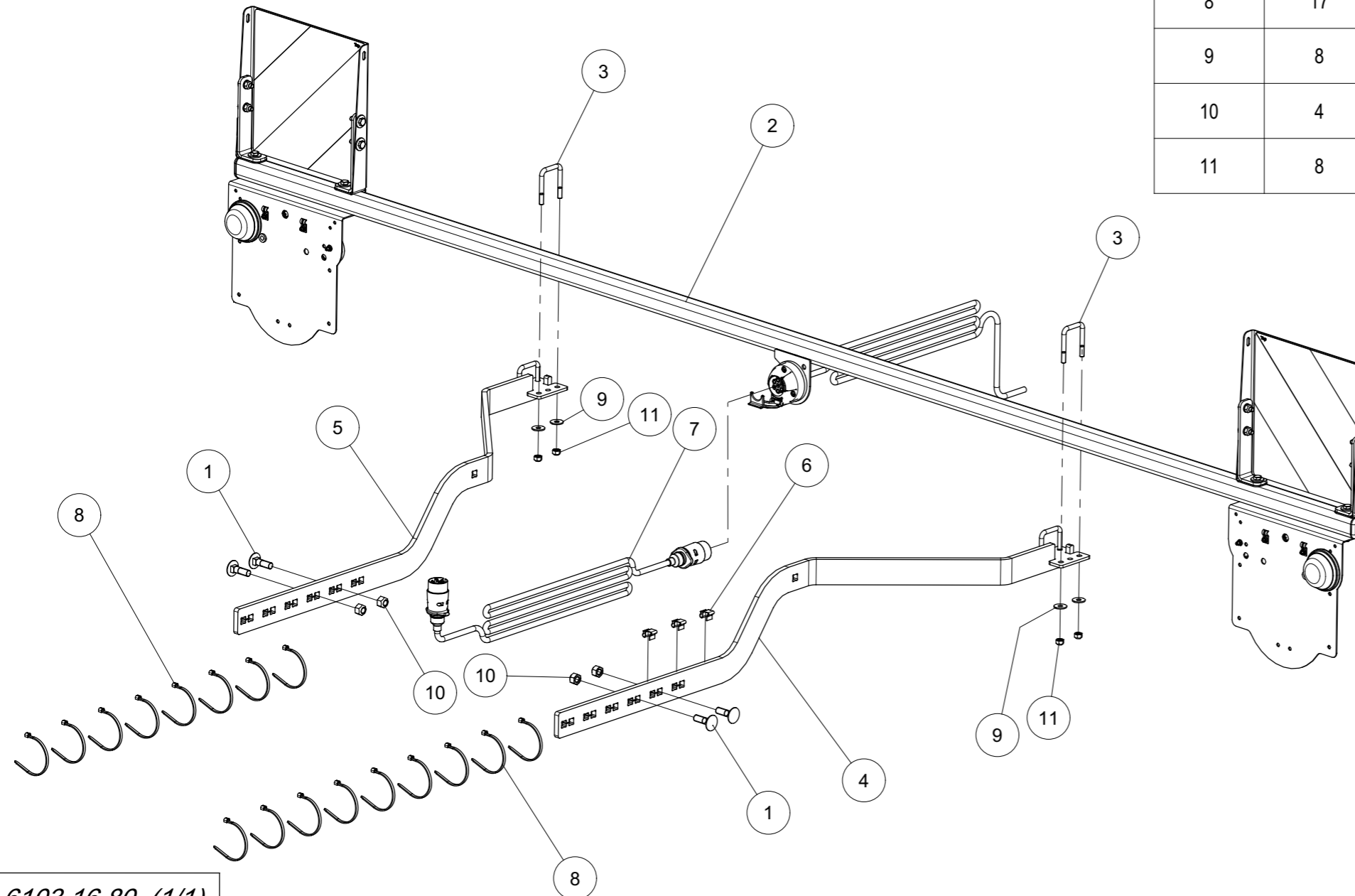
| Index | Quantity | Reference  | Designation   |
|-------|----------|------------|---|
| 1     | 4        | 4753.56.03 | Collier de serrage SP 112 A PP-Li cpl.<br>Pipe clamp SP 112 A PP-Li cpl.        |
| 2     | 1        | 6436.07.02 | T-Raccord L-12 M18x1,5<br>T-Coupling L-12 M18x1,5                               |
| 3     | 2        | 7406.39.01 | Raccord de réduc. M18x1.5 M14x1.5<br>Male stud coupl. M18x1.5 M14x1.5           |
| 4     | 1        | 8132.01.00 | Connecteur hydraulique HL3 AG M18x1,5<br>Hydraulic connector HL3 AG M18x1,5     |
| 5     | 1        | 8132.05.01 | Cache rouge taille 3<br>Dust cap red size 3                                     |
| 6     | 1        | 8132.06.01 | Etranglement rondelle $\varnothing$ 1.0<br>Restrictive washer $\varnothing$ 1.0 |
| 7     | 2        | 8165.32.02 | Bouchon fileté 3/8<br>Hexagon head plug 3/8                                     |
| 8     | 4        | 8172.08.13 | Raccord L M14x1,5 / G 3/8<br>Male Stud coupling L M14x1,5 / G 3/8               |
| 9     | 1        | 8413.88.01 | Tuyau hydraulique 2SN DN10 L1500<br>Hydraulic hose 2SN DN10 L1500               |
| 10    | 1        | 9001.60.22 | Flexible hydr. DN 6 L1600 A0/A0<br>Hydr. hose DN 6 L1600 A0/A0                  |
| 11    | 1        | 9001.60.34 | Flexible hydr. DN 6 L 2150 A0/A0<br>Hydr. hose DN 6 L 2150 A0/A0                |
| 12    | 2        | 9006.70.04 | Attaches de câble 7,8x360 noire<br>Cable ties 7,8x360 black                     |
| 13    | 1        | 9109.51.02 | Flexible hydr. 1106-K DN 6 L 750 A0/A3<br>Hydr. hose 1106-K DN 6 L 750 A0/A3    |





*Éclairage M 3.0 monté*  
*Lighting M 3.0 mounted*

| Index | Quantity | Reference  | Designation   |
|-------|----------|------------|---|
| 1     | 4        | 603D1240PA | Vis TRCC M12x40 ISO8677-8.8 ZNBL<br>Round-head bolt M12x40 ISO8677-8.8 Z      |
| 2     | 1        | 6103.09.14 | Unité d'éclairage monté<br>Mounted lighting unit                              |
| 3     | 4        | 6103.11.28 | Bride MC-8x50x65<br>Cross section MC-8x50x65                                  |
| 4     | 1        | 6103.16.81 | Support gauche, soudé<br>Holder left, welded                                  |
| 5     | 1        | 6103.16.82 | Support droit, soudé<br>Holder right, welded                                  |
| 6     | 3        | 6103.18.03 | Pince de support Type SRV T=8-12 D=6-7<br>Carrier clamp Type SRV T=8-12 D=6-7 |
| 7     | 1        | 6456.50.04 | Entre câble 7,0m 7-broches<br>Between cable 7,0m 7-pins                       |
| 8     | 17       | 9006.70.02 | Attaches de câble 4,8x178 noire<br>Cable ties 4,8x178 black                   |
| 9     | 8        | 9021DA8.4A | Rondelle A 8,4 ISO7093-1 Z<br>Washer A 8,4 ISO7093-1 Z                        |
| 10    | 4        | 980DV12PA  | Ecrou M12 ZNBL 8.8<br>Nut M12 Zinc 8.8  |
| 11    | 8        | 980DV8PA   | Ecrou M8 ZNBL 8.8<br>Nut M8 Zinc 8.8  |



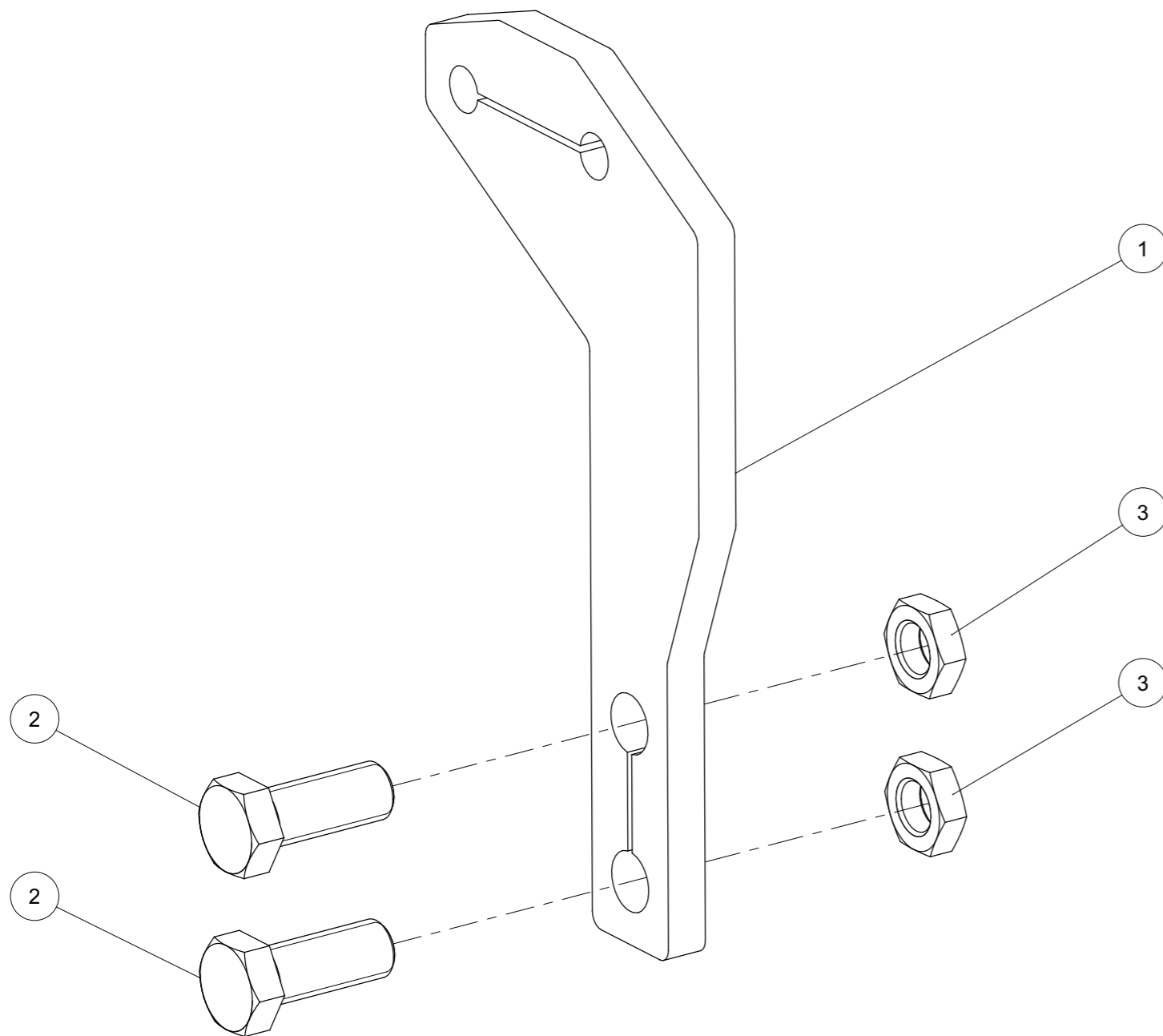
6103.16.80 (1/1)



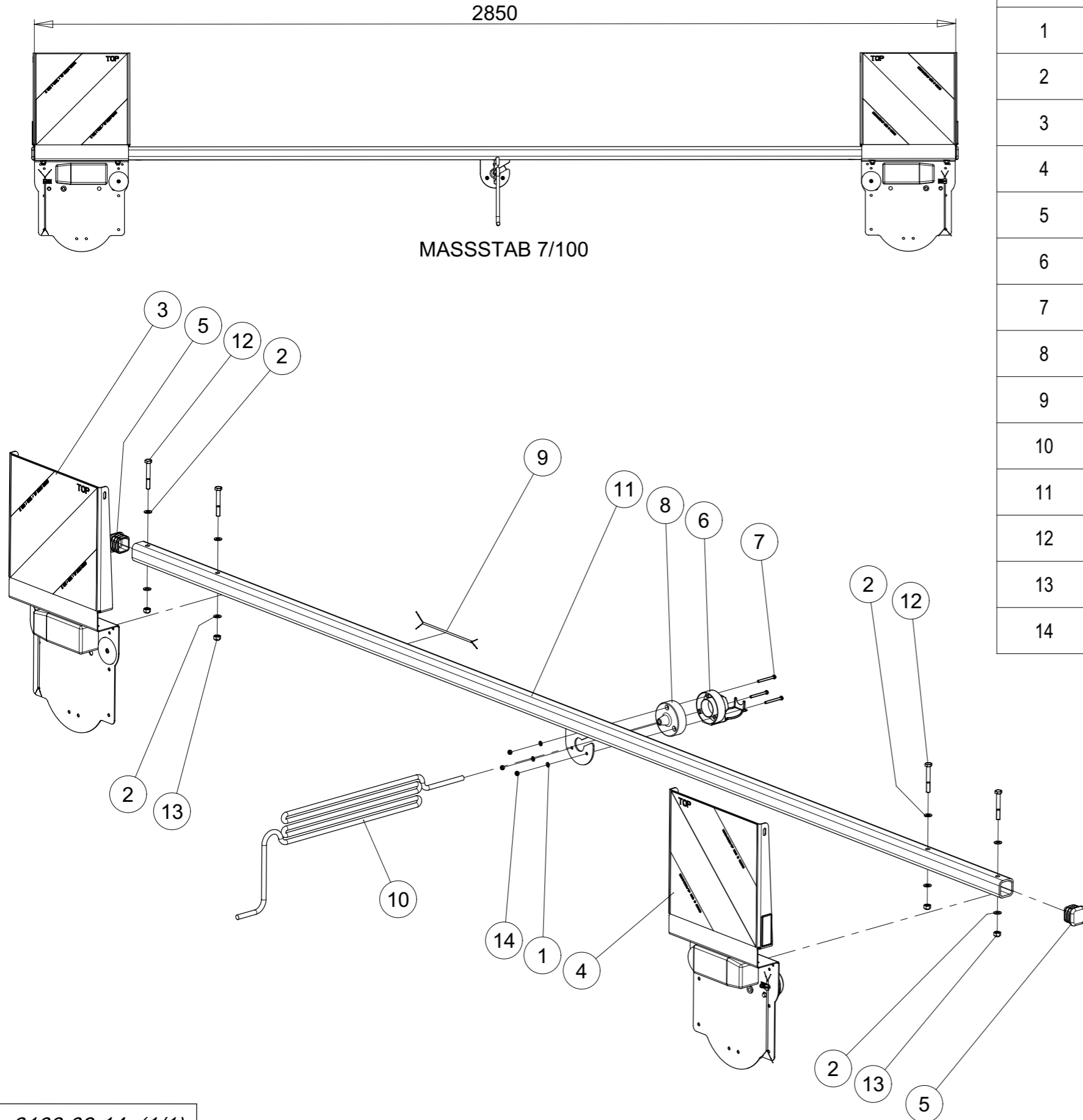
*Adaptateur d'éclairage LS cpl.*

*Adapter lighting LS cpl.*

| Index | Quantity | Reference  | Designation   |
|-------|----------|------------|---|
| 1     | 1        | 6103.16.86 | Adaptateur d'éclairage LS<br>Adapter lighting LS                    |
| 2     | 2        | 933D1640PA | Vis H M16x40 ISO4017-8.8 ZNBL<br>Hex. Screw M16x40 ISO4017-8.8 Zinc |
| 3     | 2        | 936D16PA   | Ecrou bas Hm M16 8.8, ZNBL<br>Nut Hm M16 8.8, ZNBL                  |



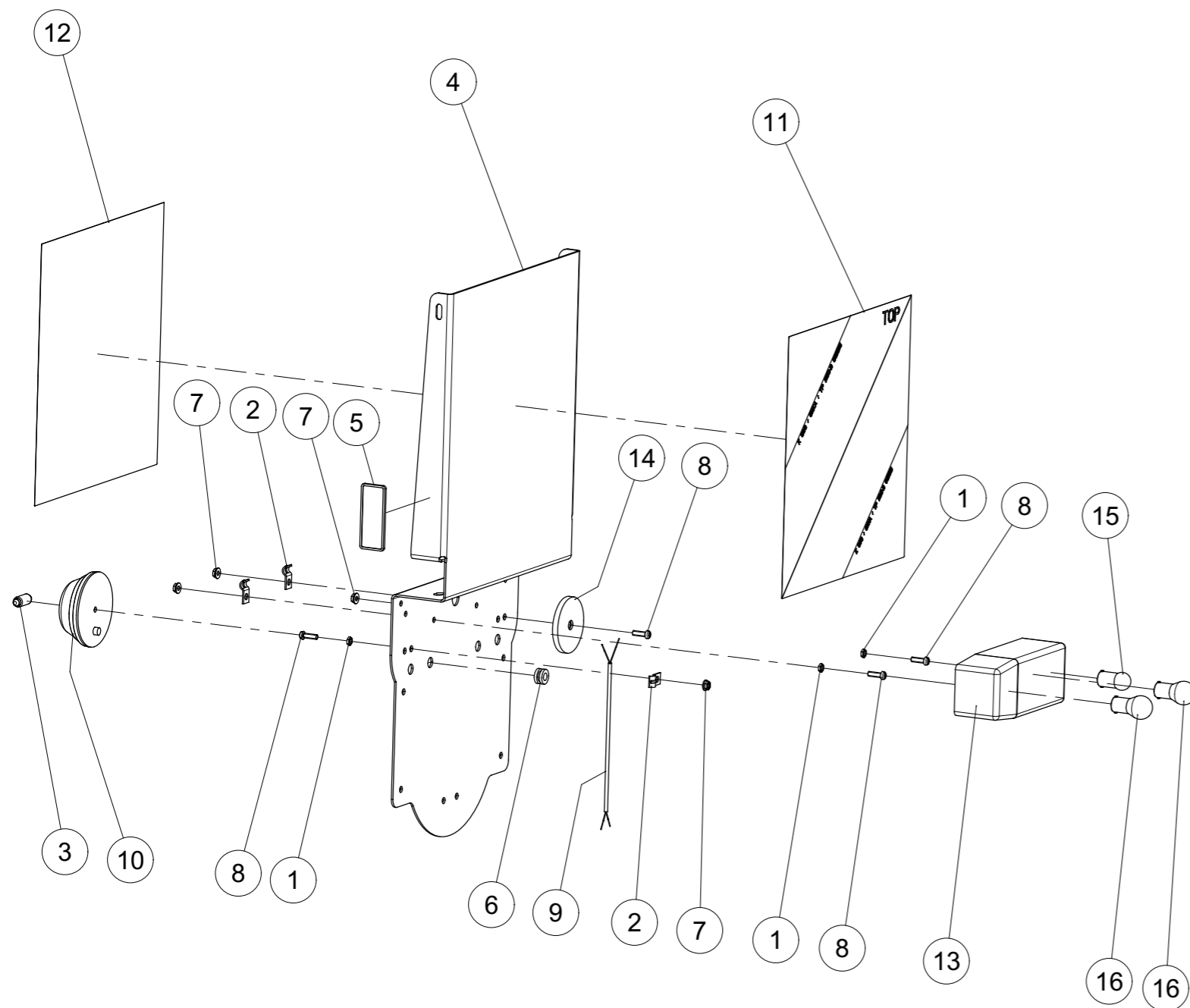
*Unité d'éclairage montée*  
*Mounted lighting unit*



| Index | Quantité | Reference  | Designation   |
|-------|----------|------------|---|
| 1     | 3        | 125DA5.3A  | Rondelle A 5,3 ISO7089 Zinguée<br>Washer A 5,3 ISO7089 Zinc.                                |
| 2     | 8        | 125DA8.4A  | Rondelle A 8,4 ISO7089 Zinguée<br>Washer A 8,4 ISO7089 Zinc.                                |
| 3     | 1        | 6103.16.38 | Panneau d'avertissement monté arrière gauche<br>Warning plate mounted rear left             |
| 4     | 1        | 6103.16.48 | Panneau d'avertissement monté arrière droite<br>Warning plate mounted rear right            |
| 5     | 2        | 6103.90.01 | Embout ailette LQ40x40x1-4<br>Square plastic plugs LQ40x40x1-4                              |
| 6     | 1        | 8416.65.01 | Socket 7 pôle plastique noir<br>7 pole socket Black plastic                                 |
| 7     | 3        | 84D545WA   | Vis M5x45 ISO1207-4.8 Z<br>Screw M5x45 ISO1207-4.8 Z  |
| 8     | 1        | 9004.18.55 | Capuchon de protection pour prise<br>Protective cap for socket                              |
| 9     | 1        | 9012.80.00 | Câble noir 4x0.75 - 2.80 m<br>Cable black 4x0,75 - 2.80 m                                   |
| 10    | 1        | 9012.91.00 | Câble HYSLY-JZ 7x1,5 - 1.50m<br>Cable HYSLY-JZ 7x1,5 -1.50m                                 |
| 11    | 1        | 9037.26.21 | Tube de retenue pour panneau d'avertissement soudé<br>Holding tube for warning plate welded |
| 12    | 4        | 931D860PA  | Vis H M8 x 60 ZNBL 8.8<br>Hex. Screw M8 x 60 Zinc 8.8                                       |
| 13    | 4        | 980DV8PA   | Ecrou M8 ZNBL 8.8<br>Nut M8 Zinc 8.8  |
| 14    | 3        | 985D5PA    | Ecrou HFR M5 ISO10511-8 Z<br>Nut HFR M5 ISO10511-8 Z  |



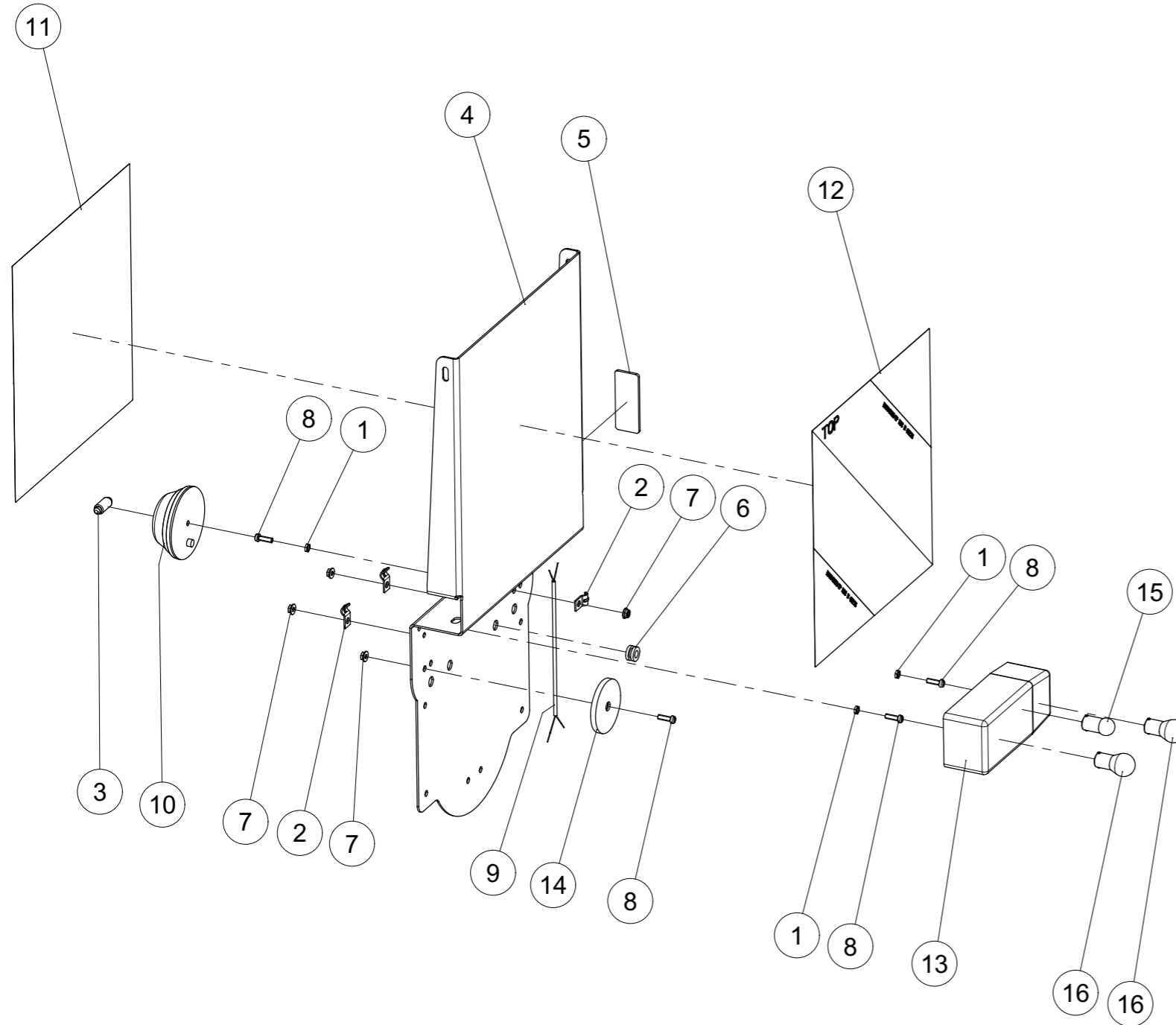
*Panneau d'avertissement monté arrière gauche*  
*Warning plate mounted rear left*



| Index | Quantite | Reference  | Designation  |
|-------|----------|------------|--|
| 1     | 3        | 439DAM5SA  | Ecrou AM5 ISO4035-4 Zingue<br>Nut AM5 ISO4035-4 zinc                                     |
| 2     | 3        | 6103.05.40 | Collier de fixation D7 ZNBL.<br>Mounting clamp D7 vez.                                   |
| 3     | 1        | 6103.09.34 | Ampoule CW5 12V/5W,plinthe SV8, 5-8 court<br>Light bulb C5W 12V/5W,socket SV8, 5-8 short |
| 4     | 1        | 6103.16.03 | Attention plaque de plaque arrière<br>Warning plate sheet behind                         |
| 5     | 1        | 6103.16.05 | Réflecteur jaune<br>Reflector yellow   |
| 6     | 1        | 6103.16.70 | Grommet HV1302 D 15,9 noir<br>Grommet HV1302 D 15,9 black                                |
| 7     | 4        | 6923D5RA   | Ecrou M5 Din6923 Zingue<br>Nut M5 Din 6923 Zingue  |
| 8     | 4        | 84D516WA   | Vis M5x16 ISO1207-4.8 Z<br>Screw M5x16 ISO1207-4.8 Z                                     |
| 9     | 1        | 9012.81.00 | Câble noir 2x0,75mm <sup>2</sup><br>Cable black 2x0,75mm <sup>2</sup>                    |
| 10    | 1        | 9018.27.05 | Marker lumière<br>Marking Light  |
| 11    | 1        | 9032.37.58 | Marquage gauche<br>Marking left  |
| 12    | 1        | 9032.37.59 | Marquage droite<br>Marking right   |
| 13    | 1        | 9037.26.12 | Feu arrière gauche<br>Tail light left  |
| 14    | 1        | 9108.80.01 | Réflecteur rouge<br>Reflector red  |
| 15    | 1        | 9108.80.06 | Ampoule 12V/10W<br>Light bulb 12V/10W  |
| 16    | 2        | 9108.80.07 | Ampoule 12V/21W<br>Light bulb 12V/21W  |



*Panneau d'avertissement monté arrière droite*  
*Warning plate mounted rear right*



| Index | Quantite | Reference  | Designation  |
|-------|----------|------------|--|
| 1     | 3        | 439DAM5SA  | Ecrou AM5 ISO4035-4 Zingue<br>Nut AM5 ISO4035-4 zinc                                     |
| 2     | 3        | 6103.05.40 | Collier de fixation D7 ZNBL.<br>Mounting clamp D7 vez.                                   |
| 3     | 1        | 6103.09.34 | Ampoule CW5 12V/5W,plinthe SV8, 5-8 court<br>Light bulb C5W 12V/5W,socket SV8, 5-8 short |
| 4     | 1        | 6103.16.03 | Attention plaque de plaque arrière<br>Warning plate sheet behind                         |
| 5     | 1        | 6103.16.05 | Réflecteur jaune<br>Reflector yellow   |
| 6     | 1        | 6103.16.70 | Grommet HV13O2 D 15,9 noir<br>Grommet HV13O2 D 15,9 black                                |
| 7     | 4        | 6923D5RA   | Ecrou M5 Din6923 Zingue<br>Nut M5 Din 6923 Zingue  |
| 8     | 4        | 84D516WA   | Vis M5x16 ISO1207-4.8 Z<br>Screw M5x16 ISO1207-4.8 Z                                     |
| 9     | 1        | 9012.81.00 | Câble noir 2x0,75mm <sup>2</sup><br>Cable black 2x0,75mm <sup>2</sup>                    |
| 10    | 1        | 9018.27.05 | Marker lumière<br>Marking Light  |
| 11    | 1        | 9032.37.58 | Marquage gauche<br>Marking left  |
| 12    | 1        | 9032.37.59 | Marquage droite<br>Marking right   |
| 13    | 1        | 9037.26.13 | Feu arrière droite<br>Tail light right   |
| 14    | 1        | 9108.80.01 | Réflecteur rouge<br>Reflector red  |
| 15    | 1        | 9108.80.06 | Ampoule 12V/10W<br>Light bulb 12V/10W  |
| 16    | 2        | 9108.80.07 | Ampoule 12V/21W<br>Light bulb 12V/21W  |

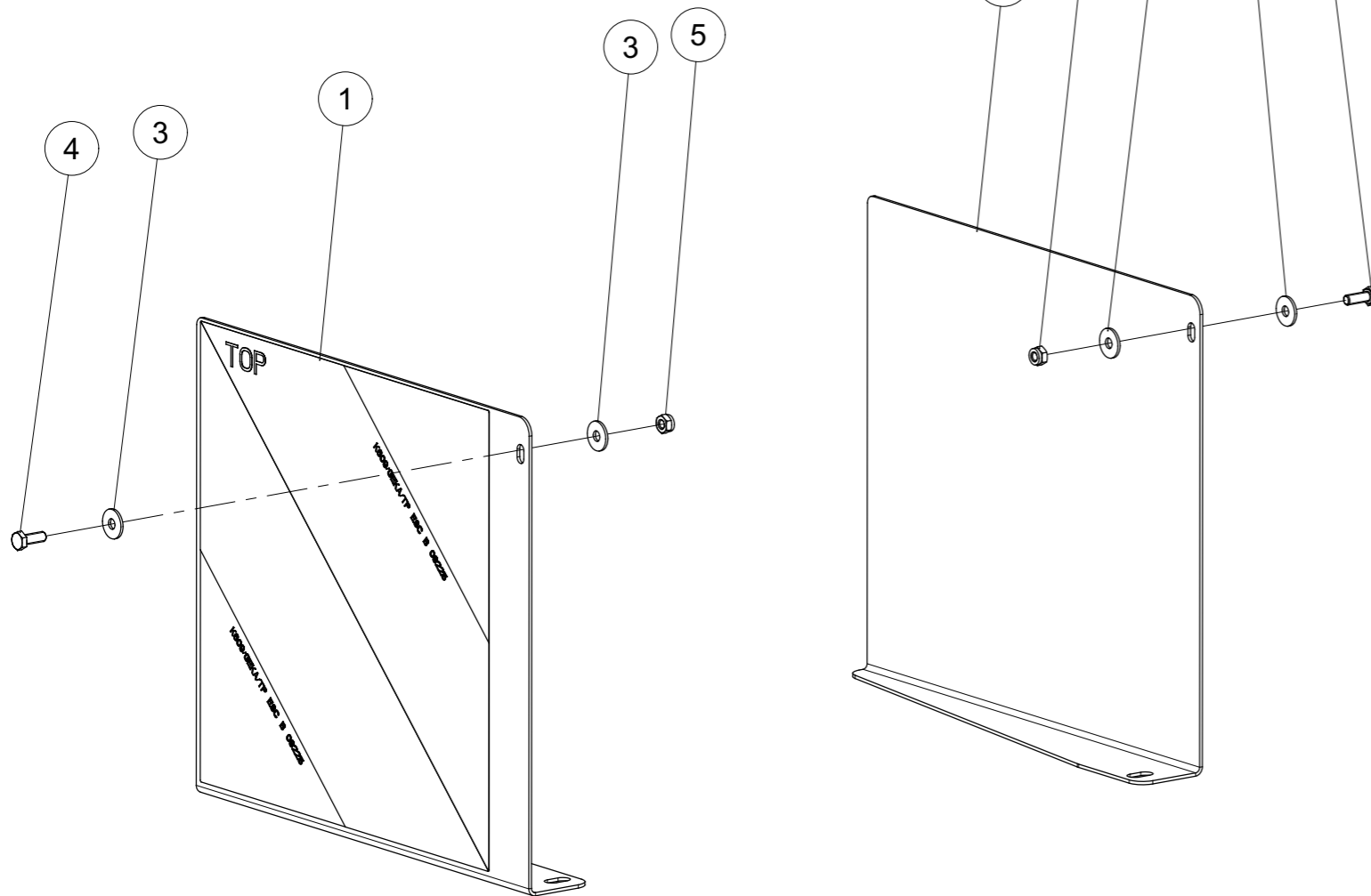


*Kit Signalisation coté FR*

*Kit lighting FR*



| Index | Quantite | Reference  | Designation  |
|-------|----------|------------|--|
| 1     | 1        | 6103.16.41 | Attention plaque de plaque arriére gauche FR<br>Warning plate rear left FR |
| 2     | 1        | 6103.16.44 | Attention plaque de plaque arriére droit FR<br>Warning plate rear right FR |
| 3     | 4        | 9021DA6.4A | Rondelle A 6,4 ISO7093-1 Z<br>Washer A 6,4 ISO7093-1 Z                     |
| 4     | 2        | 933D616PA  | Vis H M6x16 ISO4017-8.8 ZNBL<br>Hex. Screw M6x16 ISO4017-8.8 Zinc          |
| 5     | 2        | 985D6PA    | Ecrou HFR M6 ISO10511-8 Z<br>Nut HFR M6 ISO10511-8 Z                       |













---

## **RABE**

ZI Nord Les Gaudères  
37130 Langeais  
**France - Frankreich**

Tel. (+33) 2 47 96 72 61  
Fax (+33) 2 47 96 71 85  
info@rabe-gb.fr  
www.rabe-gb.fr

---

## **RABE**

Am Rabewerk 1  
49152 Bad Essen  
**Allemagne - Deutschland**

Tel. +49 (0) 54 72 771 - 0  
Fax +49 (0) 54 72 771 -195  
info@rabe-gb.de  
www.rabe-gb.de