

3910 HA on-land Plow

P

R



JOHN DEERE

PARTS CATALOG

3910 HA on-land Plow

F

PCXXXXX (Feb-18) English

Revision 02/2018

P

R

O

O

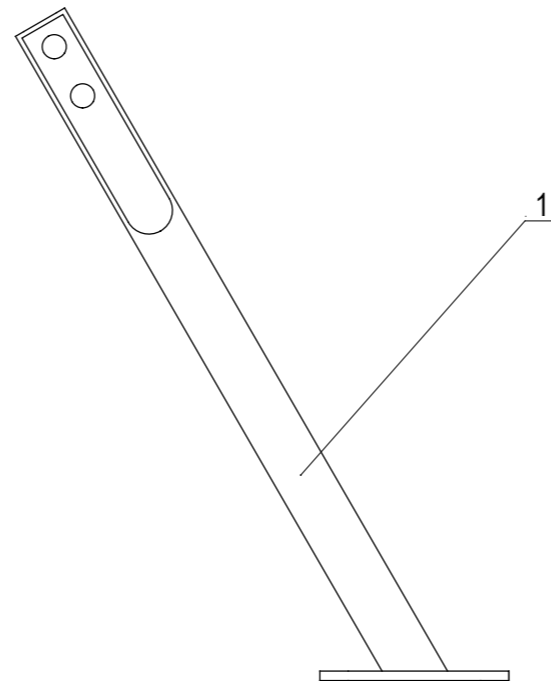
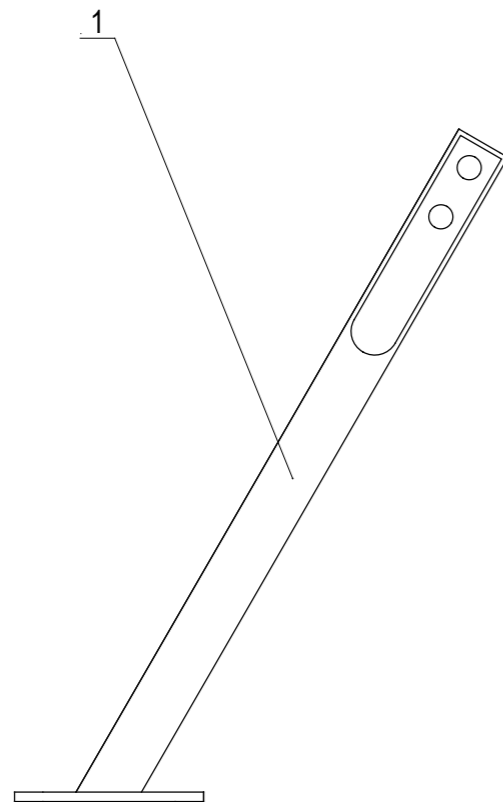
South Africa Portfolio Extension Group

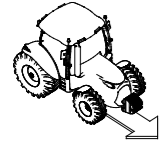
Europe Edition
Printed in U.S.A. (Revised)
COPYRIGHT © 2016
DEERE & COMPANY
Moline, Illinois
All rights reserved

P R O O F P R O O F

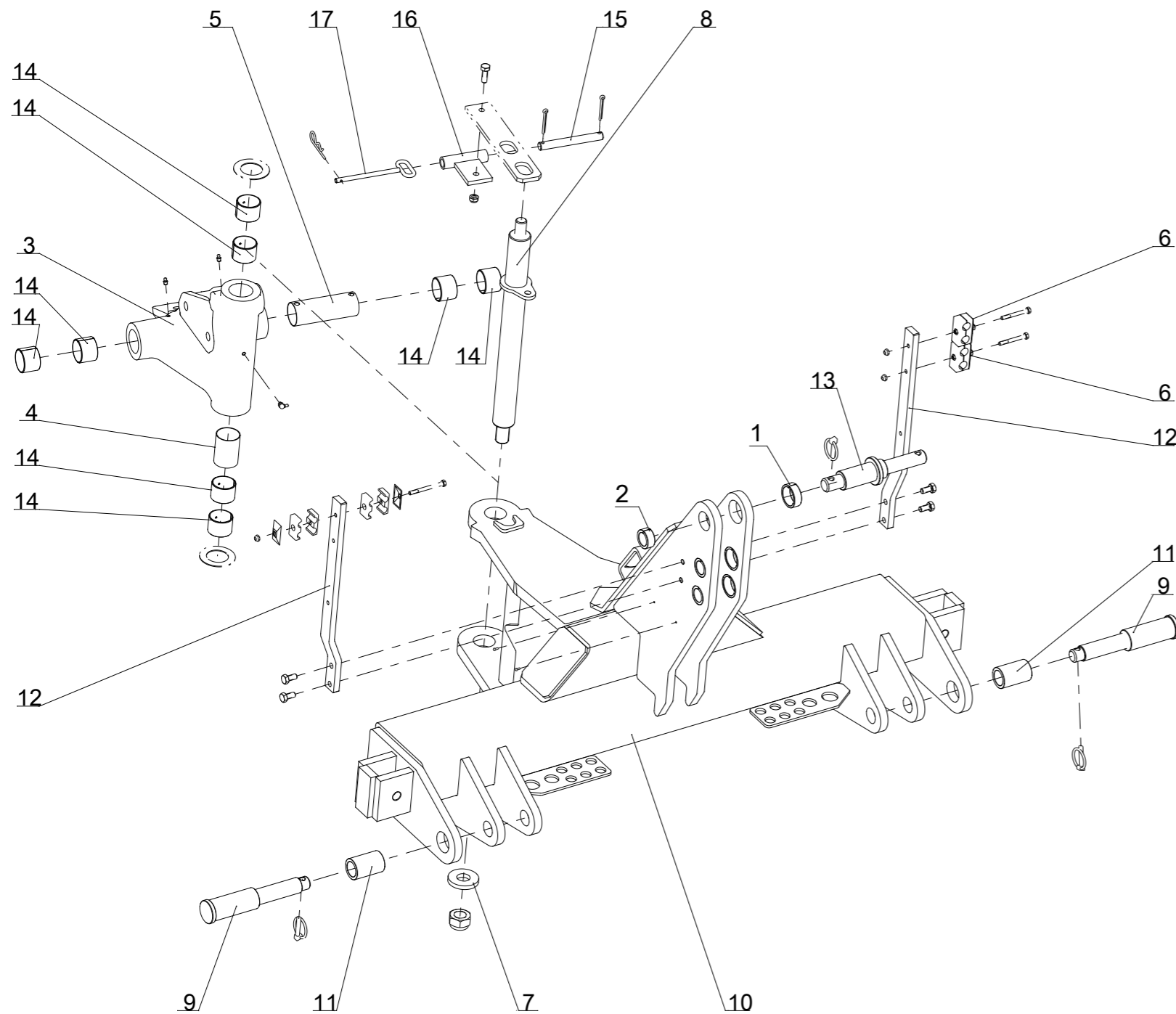
Charrue SPB9 816/170/100 (7+1)
Semi-Mounted Plough 816/170/100 (7+1)

<i>Index</i>	<i>Quantity</i>	<i>Reference</i>	<i>Designation</i>
1	2	5GB1 223 163	Parking leg long

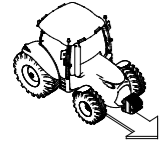




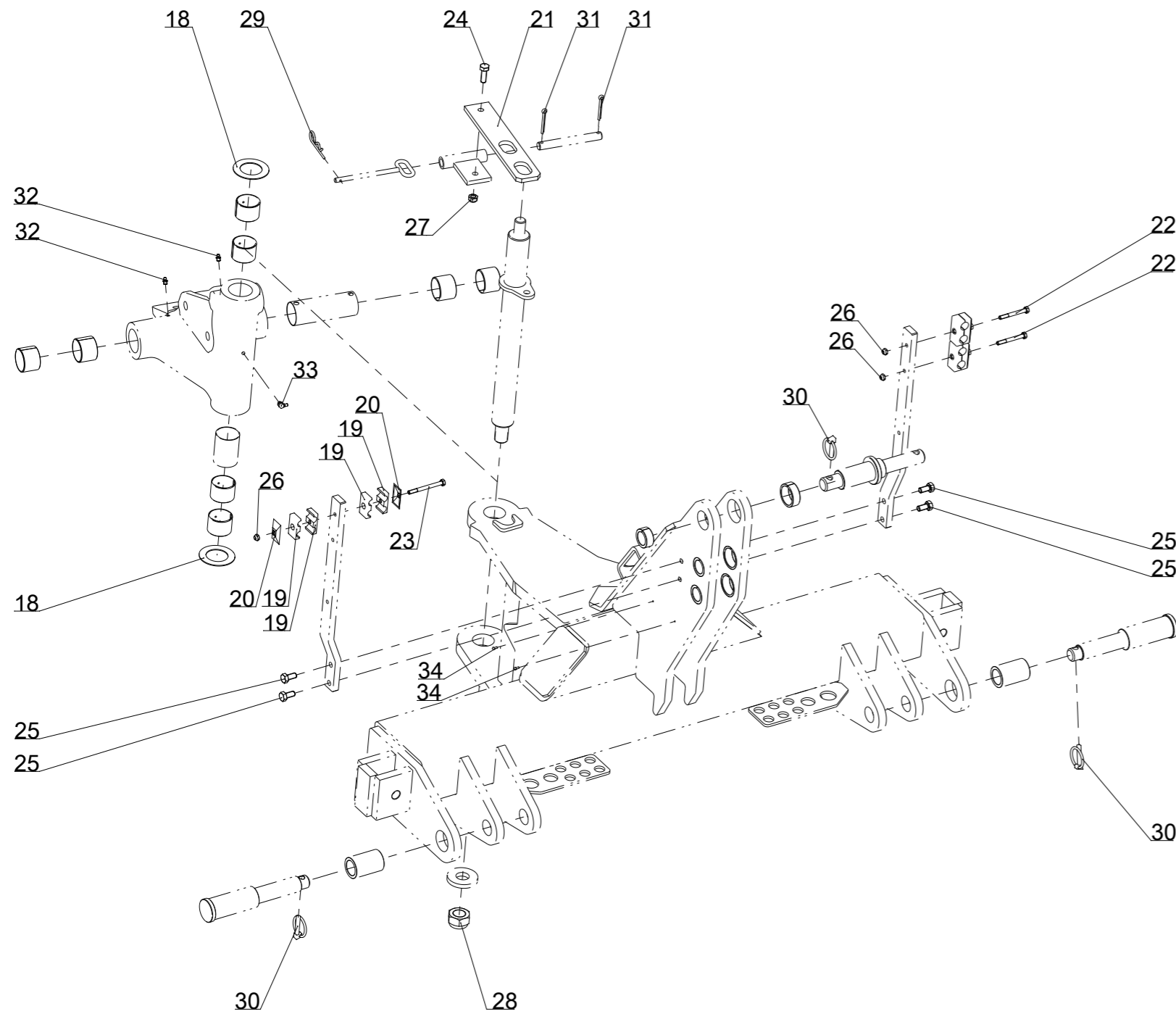
Palonnier Quick - Dia 3-4, lg. : 3-4
Hitch point Quick 3/4 standard



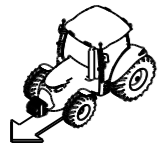
Index	Quantite	Reference	Designation
1	3	5GB122 198	Steel bush 45x32, Lg:20
2	3	5GB122 199	Steel bush 55x45, Lg : 20
3	1	5GB1 223 210 U	Cast iron cardan joint 110°
4	1	5GB1 223 221	Grease casing for cardan joint (front)
5	1	5GB1 223 222	Grease casing for cardan joint (rear)
6	2	5GB1 235 106	Double hose fixation 2x20 cpl.
7	1	5GB122 106	Special washer - 30.5x70x10
8	1	5GB122 128	Vertical pin SP 110°- Dia 50, lg. : 605 mm, thread 2.00
9	2	5GB122 145	Lower link pin Quick-Coupler Cat III / IV
10	1	5GB122 159	Headstock Quick-Coupler Cat III / IV, 110°
11	2	5GB122 161	Socket for quick coupler N°3-4
12	2	5GB122 195	Hose support / Headstock
13	1	5GB122 197	3 point hitch top link pin Cat III / IV
14	8	5GB122 246	Bronze bushing - Dia50x55, lg. : 40 mm
15	1	5GB122 249	Bracket parking latch pin - Dia 18, lu. : 140 mm
16	1	5GB122 273	Rear parking latch bracket
17	1	5GB122 292	Pin parking latch - Dia 10, lg. : 158 mm



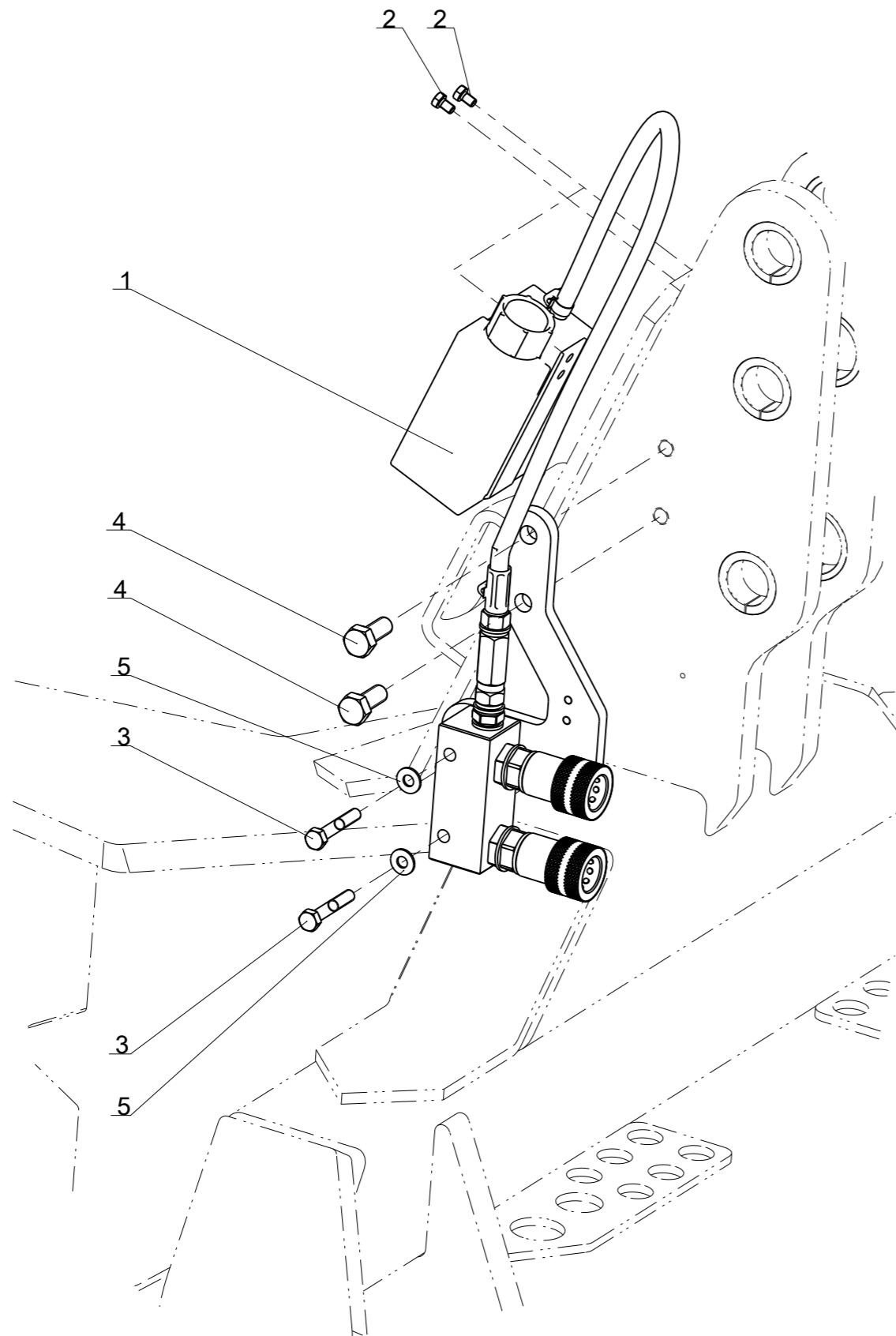
Palonnier Quick - Dia 3-4, lg. : 3-4
Hitch point Quick 3/4 standard



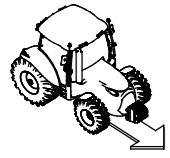
Index	Quantite	Reference	Designation
18	2	5GB122 295	Special washer - 50.5x82x2
19	4	5GB122 360	Double hose fixation 2x16
20	2	5GB122 361	Upper plate convex - hose fixation 2x16 28x49
21	1	5GB122 373	Front parking latch bracket - lg. : 315 mm
22	2	5GBVI 27 12	Screw H M8x 70 - 8.8 ZNBL
23	1	5GBVI 27 14	Screw H M8x 90 - 8.8 ZNBL
24	1	5GBVI 29 05	Screw H M12x 35 - 8.8 ZNBL
25	4	5GBVI 41 03	Screw H M12x 25 - 8.8 ZNBL
26	3	5GBVJ 320	Nyloc nut std H M 8 - 8 ZNBL
27	1	5GBVJ 322	Nyloc nut std H M 12 - 8 ZNBL
28	1	5GBVJ 335	Nyloc nut std H M 30 - 8 ZNBL - thread 200
29	1	5GBVL 002	R Clip - 4, Z
30	3	5GBVL 103	Lynch pin "Clips" Dia10 Z
31	2	5GBVL 414	Split pin V 6.3x50
32	2	5GBVM 201	Grease nipple - M8, thread125
33	1	5GBVM 203	Grease nipple 90° M8x125
34	2	5GBVM 410	Fluted round head nail4x9



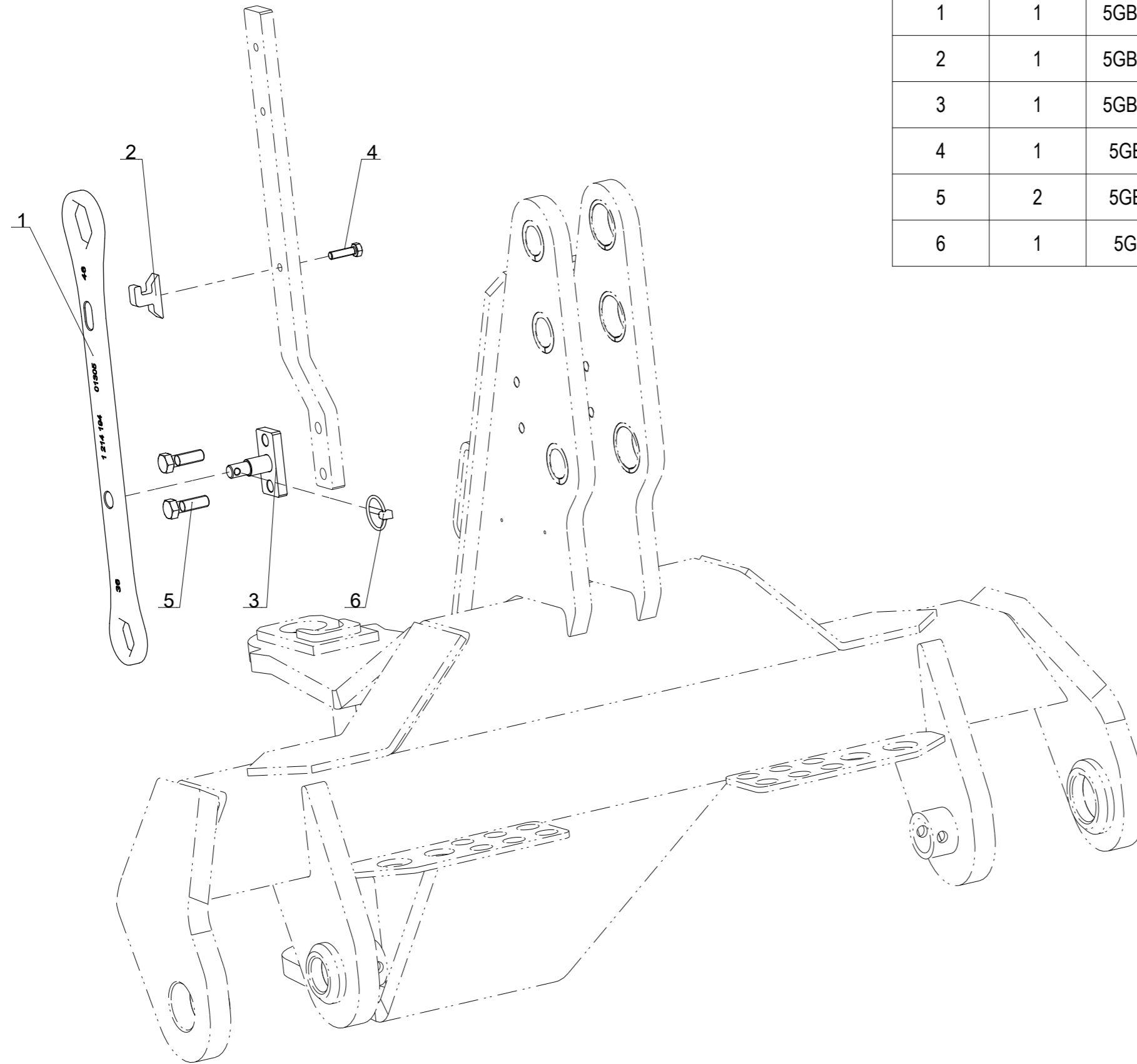
Kit decompression retournement
Decompression hydraulic kit (Turnover)



<i>Index</i>	<i>Quantite</i>	<i>Reference</i>	<i>Designation</i>
1	1	5GB1 122 404	Decompression Kit (complet)
2	2	5GBVI 26 01	Screw H M6x 10 - 8.8 ZNBL
3	2	5GBVI 27 10	Screw H M8x 50 - 8.8 ZNBL
4	2	5GBVI 29 04	Screw H M12x 30 - 8.8 ZNBL
5	2	5GBVK 502	Flat washer MU8 ZNBL



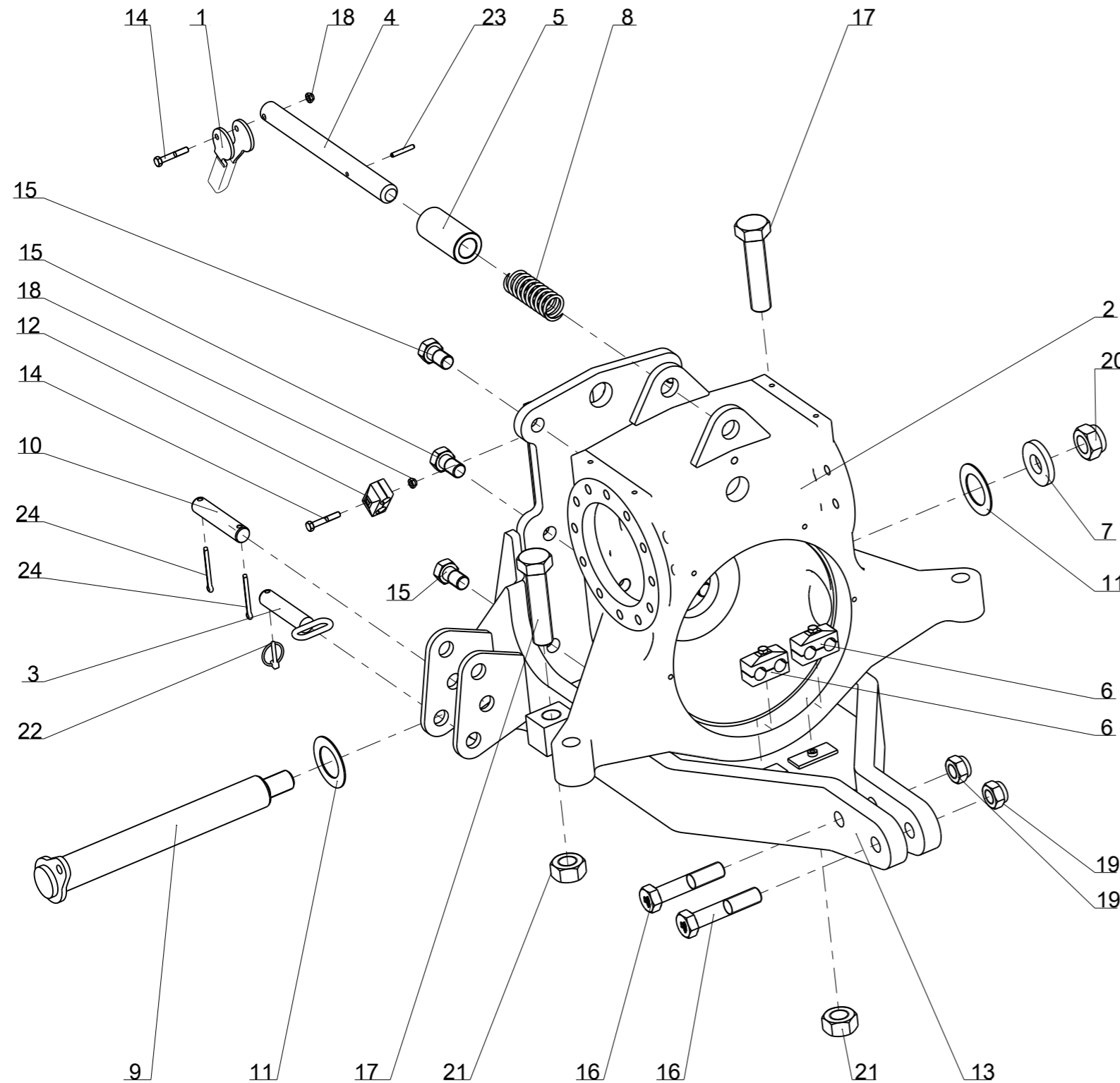
Kit key 36/46



Index	Quantité	Référence	Designation
1	1	5GB1 214 194	Key 36/46
2	1	5GB1 214 195	Axle support key
3	1	5GB1 214 196	Key support
4	1	5GBVI 27 06	Screw H M8x 30 - 8.8 ZNBL
5	2	5GBVI 29 07	Screw H M12x 40 - 10.9 ZNBL
6	1	5GBVL 101	Lynch pin "Clips" Dia6 Z



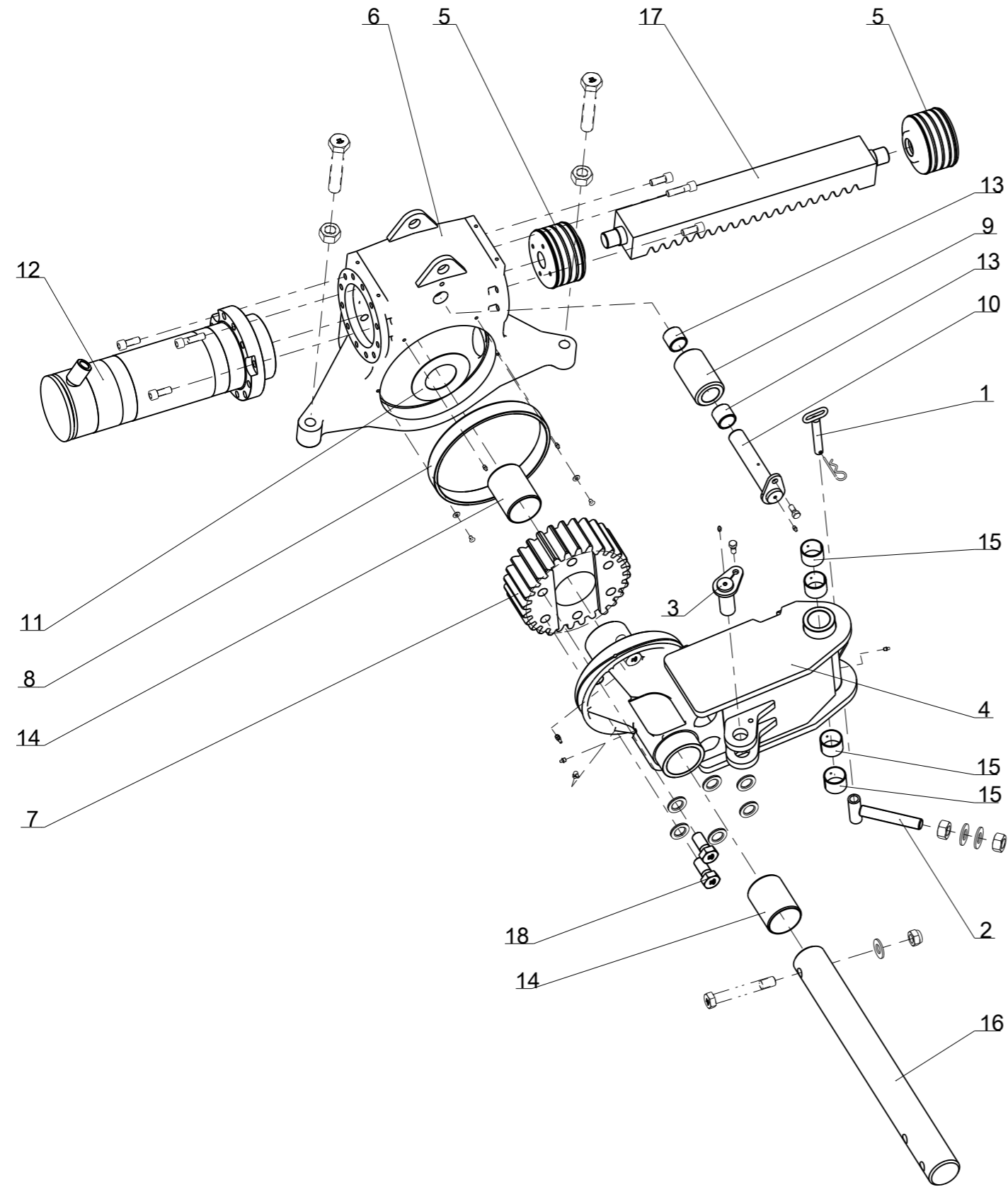
Retournement semi-portée chariot, hors-raie
Turnover, semi-mounted on-land



Repere	Quantite	Reference	Designation
1	1	5GB1 123 115	Handle for transport pin
2	1	5GB1 223 152 U	headstock casting
3	2	5GB1 223 164	Parking leg pin
4	1	5GB1 223 173	Transport lock pin
5	1	5GB1 223 211	Socket (transport lock)
6	2	5GB1 235 106	Double hose fixation 2x20 cpl.
7	1	5GB122 106	Special washer - 30.5x70x10
8	1	5GB122 224	Spring N°12 bis for transport lock - Dia 40, lg. : 110 mm
9	1	5GB122 250	Horizontal crucifix pin - Dia 50, Lu:378mm,M30
10	2	5GB122 253	Parking leg pin - Dia 25, Lu:100 mm
11	2	5GB122 295	Special washer - 50.5x82x2
12	1	5GB122 358	Double hose fixation 2x16 cpl.
13	1	5GB122 375	Headstock frame
14	2	5GBVI 27 10	Screw H M8x 50 - 8.8 ZNBL
15	6	5GBVI 34 01	Screw H M22x 40 - 8.8 ZNBL , thread /25 mm
16	2	5GBVI 35 06	Screw H M24x120 - 8.8 ZNBL
17	2	5GBVI 47 03	Screw H M30x130 - 10.9 ZNBL
18	2	5GBVJ 320	Nyloc nut std H M 8 - 8 ZNBL
19	2	5GBVJ 331	Nyloc nut std H M 24 - 8 ZNBL
20	1	5GBVJ 335	Nyloc nut std H M 30 - 8 ZNBL - thread 200
21	2	5GBVJ 626	Nut HU M30 - 8 ZNBL
22	2	5GBVL 101	Lynch pin "Clips" Dia6 Z
23	1	5GBVL 214	Thick roll pin - 6x40 mm, Zyntek
24	4	5GBVL 415	Split pin V 6.3x60



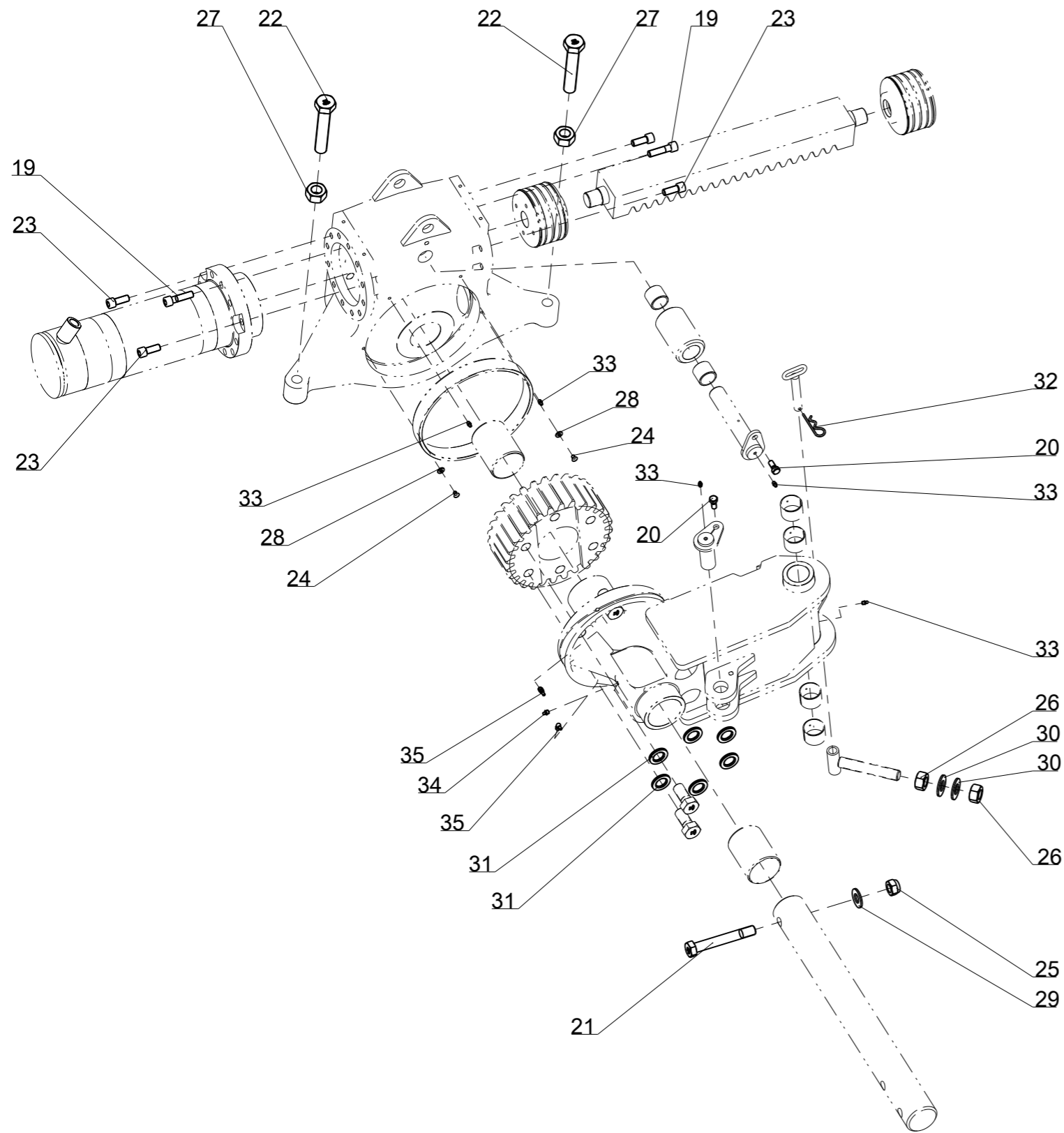
Retournement semi-portée chariot, hors-raie
Turnover, semi-mounted on-land



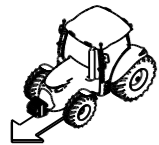
Repere	Quantite	Reference	Designation
1	1	5GB1 221 204	Locking pin for in furrow plowing - Dia 20, lg. : 130 mm
2	1	5GB1 221 205	Locking screw for in furrow plowing - M27, lg. : 160 mm
3	1	5GB1 221 207	Cylinder inner pin - Dia 40, lg. : 105 mm
4	1	5GB1 221 227	Pignon support semi-mounted on-land
5	2	5GB1 223 117	Piston for cylinder - Dia 150, width : 107 mm
6	1	5GB1 223 152 U	headstock casting
7	1	5GB1 223 155	pinion - width : 133 mm
8	1	5GB1 223 156	Plastic bushing for pinion
9	1	5GB1 223 157	Rack guide bearing
10	1	5GB1 223 158	headstock rollers pin
11	1	5GB1 223 194	Special washer - Dia 85.5x160x2
12	2	5GB1 223 236	Ram semi-mounted Dia150
13	2	5GB1 291 306	Bush composite Dia48x40 Lg=40
14	2	5GB122 231	Plastic bush - Dia 93 x 86
15	4	5GB122 246	Bronze bushing - Dia55x50, Lg=40
16	1	5GB122 251	Front shaft - Dia 85, lg. : 790 mm
17	1	5GB122 256	rack - width : 100 mm
18	6	5GB122 265	Screw H M27x 60 - 10.9 Znbl, thread /45mm, thread200



Retournement semi-portée chariot, hors-raie
Turnover, semi-mounted on-land

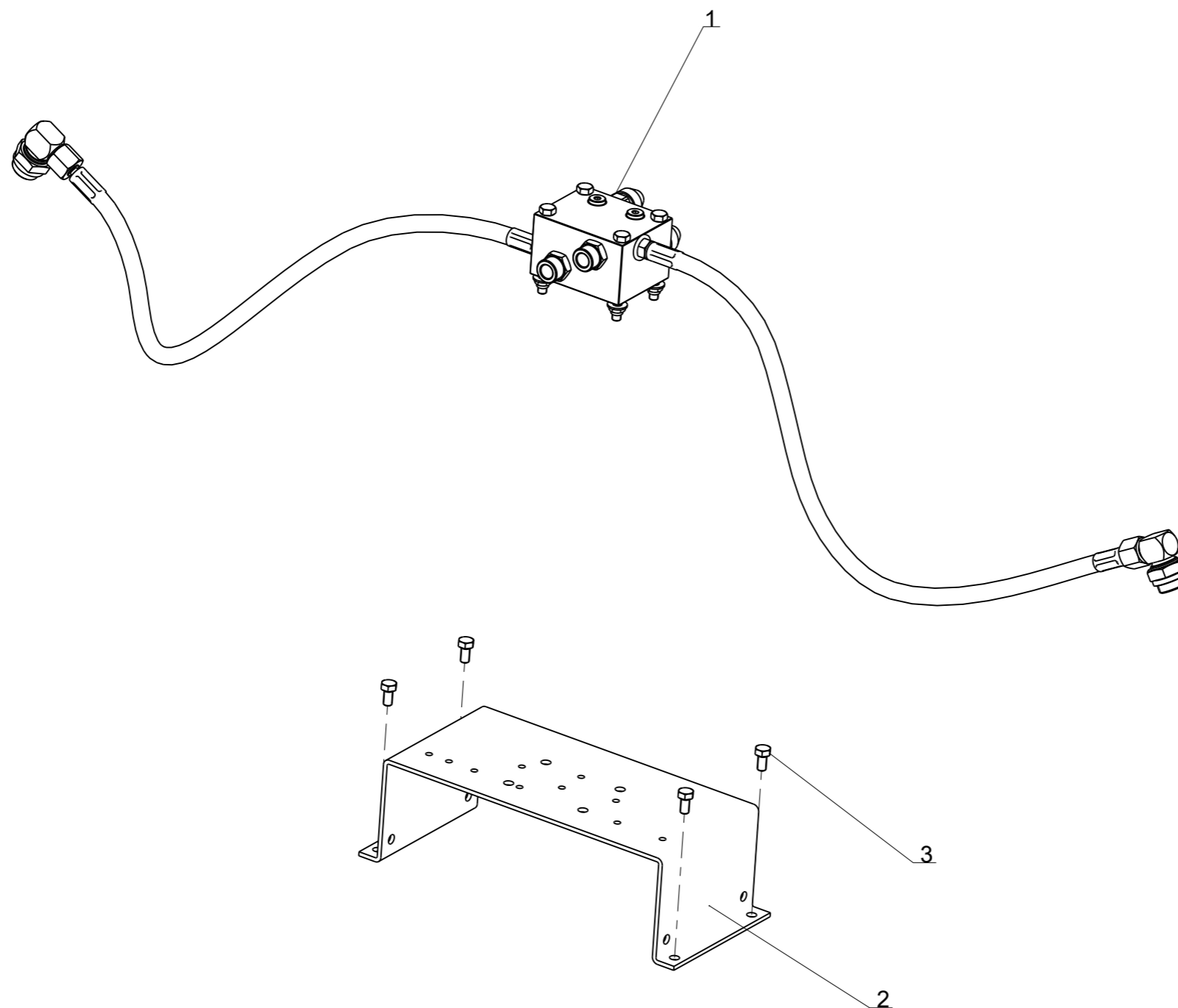


<i>Repere</i>	<i>Quantite</i>	<i>Reference</i>	<i>Designation</i>
19	20	5GB802 503 000	Screw CHc M16x 60 - 8.8 Black
20	2	5GBVI 24 33	Screw H conical M12x22 lg. : 36
21	1	5GBVI 35 15	Screw H M24x170 - 10.9 ZNBL, thread /36 mm
22	2	5GBVI 47 01	Screw H M30x160 - 10.9 ZNBL
23	4	5GBVI 48 24	Screw CHc M16x 40 - 8.8 Black
24	2	5GBVI 49 02	Screw FHC M8x 12 - 10.9 Black
25	1	5GBVJ 331	Nyloc nut std H M 24 - 8 ZNBL
26	2	5GBVJ 623	Nut HU M27 - 8 ZNBL
27	2	5GBVJ 626	Nut HU M30 - 8 ZNBL
28	2	5GBVK 502	Flat washer MU8 ZNBL
29	1	5GBVK 510	Flat washer MU24 ZNBL
30	2	5GBVK 512	Flat washer MU27 ZNBL
31	6	5GBVK 522	Washer ZNBL NL27
32	1	5GBVL 002	R Clip - 4, Z
33	5	5GBVM 201	Grease nipple - M8, thread125
34	1	5GBVM 205	Grease nipple - M10, thread150
35	2	5GBVM 207	Grease nipple 90° M10x150



Retournement semi-portée direct
Direct turnover, semi-mounted plow

<i>Index</i>	<i>Quantite</i>	<i>Reference</i>	<i>Designation</i>
1	1	5GB1 214 230	Kit pressure limiter
2	1	5GB1 223 112	Support (hydraulic block)
3	4	5GBVI 27 03	Screw H M8x 16 - 8.8 ZNBL

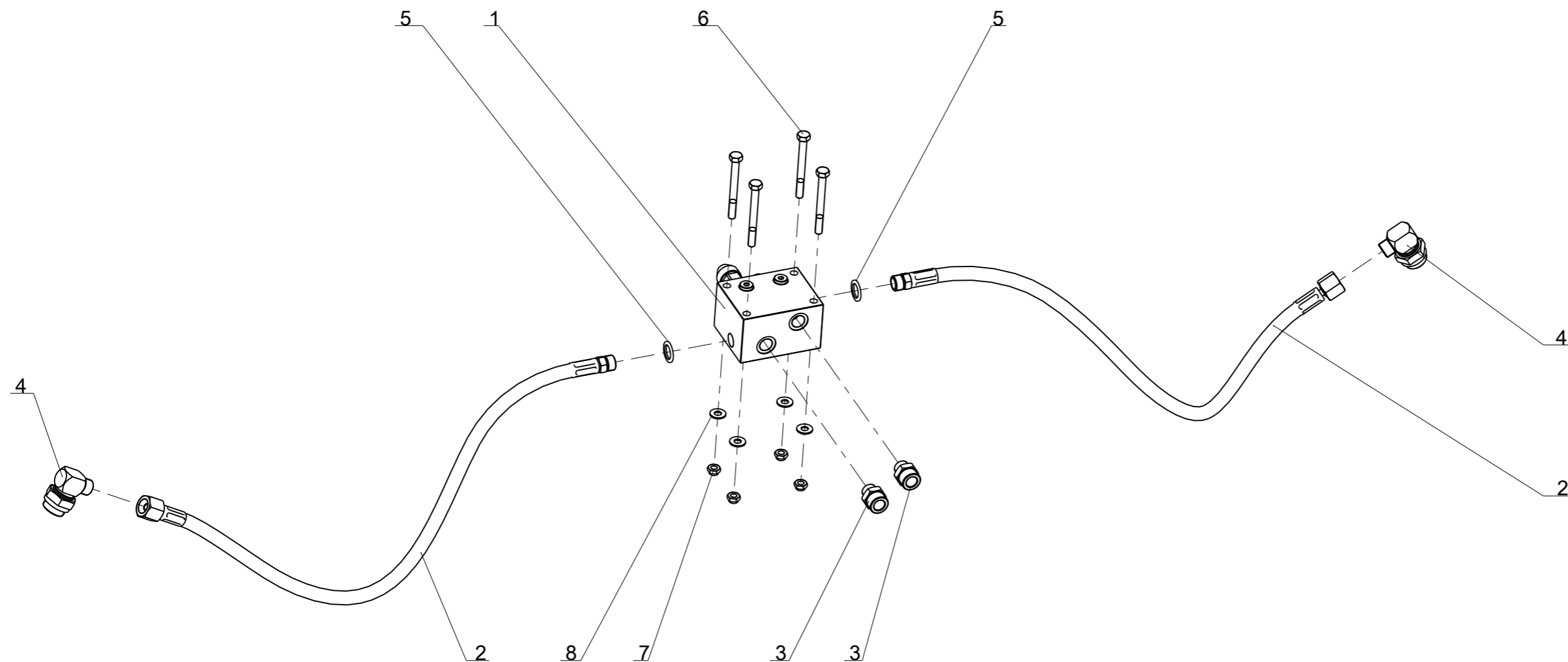




Kit hyd limiteur de pression (Ret. semi-portée directe)

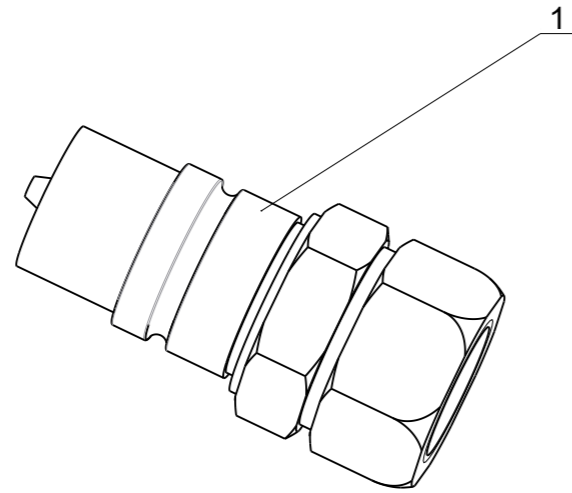
Kit pressure limiter

<i>Index</i>	<i>Quantité</i>	<i>Référence</i>	<i>Designation</i>
1	1	5GB1 214 231	Pressure limiter 180B
2	2	5GB1 214 233	Hydraulic hose 5/16 Lg:800, F12-M3/8
3	2	5GB1 231 523	Union M15 + M3/8 Cyl
4	2	5GB1 231 554	Swivel elbow M12 - 3 / 4G
5	2	5GB10 248	Ring BS 17
6	4	5GBVI 27 13	Screw H M8x 80 - 8.8 ZNBL
7	4	5GBVJ 320	Nyloc nut std H M 8 - 8 ZNBL
8	4	5GBVK 502	Flat washer MU8 ZNBL

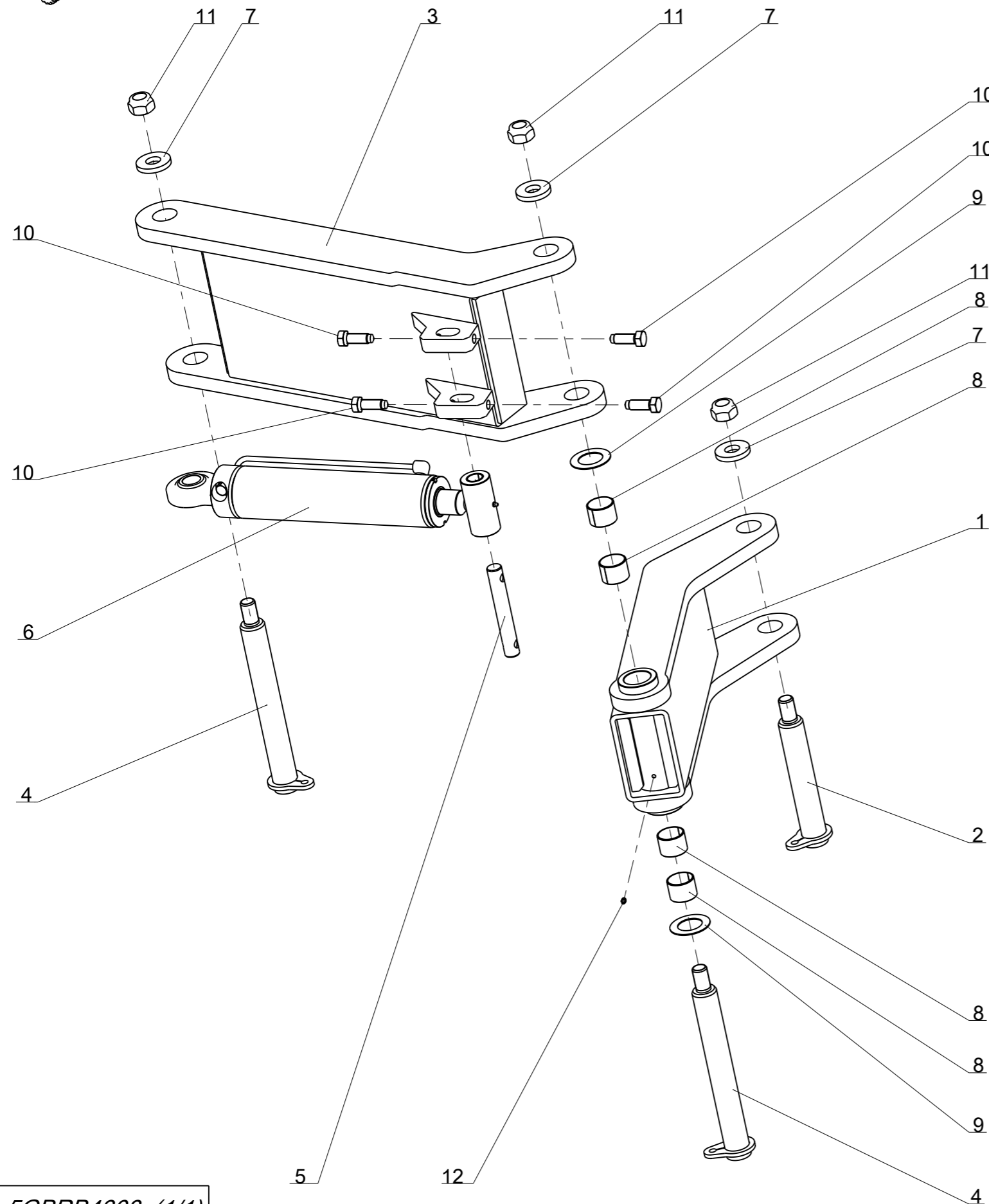


Valve PUSH-PULL M18x15 a clapet

<i>Index</i>	<i>Quantity</i>	<i>Reference</i>	<i>Designation</i>
1	1	5GB1 122 393	Push-pull ventil M18x15O



*Deport semi-portée chariot hors raie Hyd. Indep.
Independant hydr. front furrow*



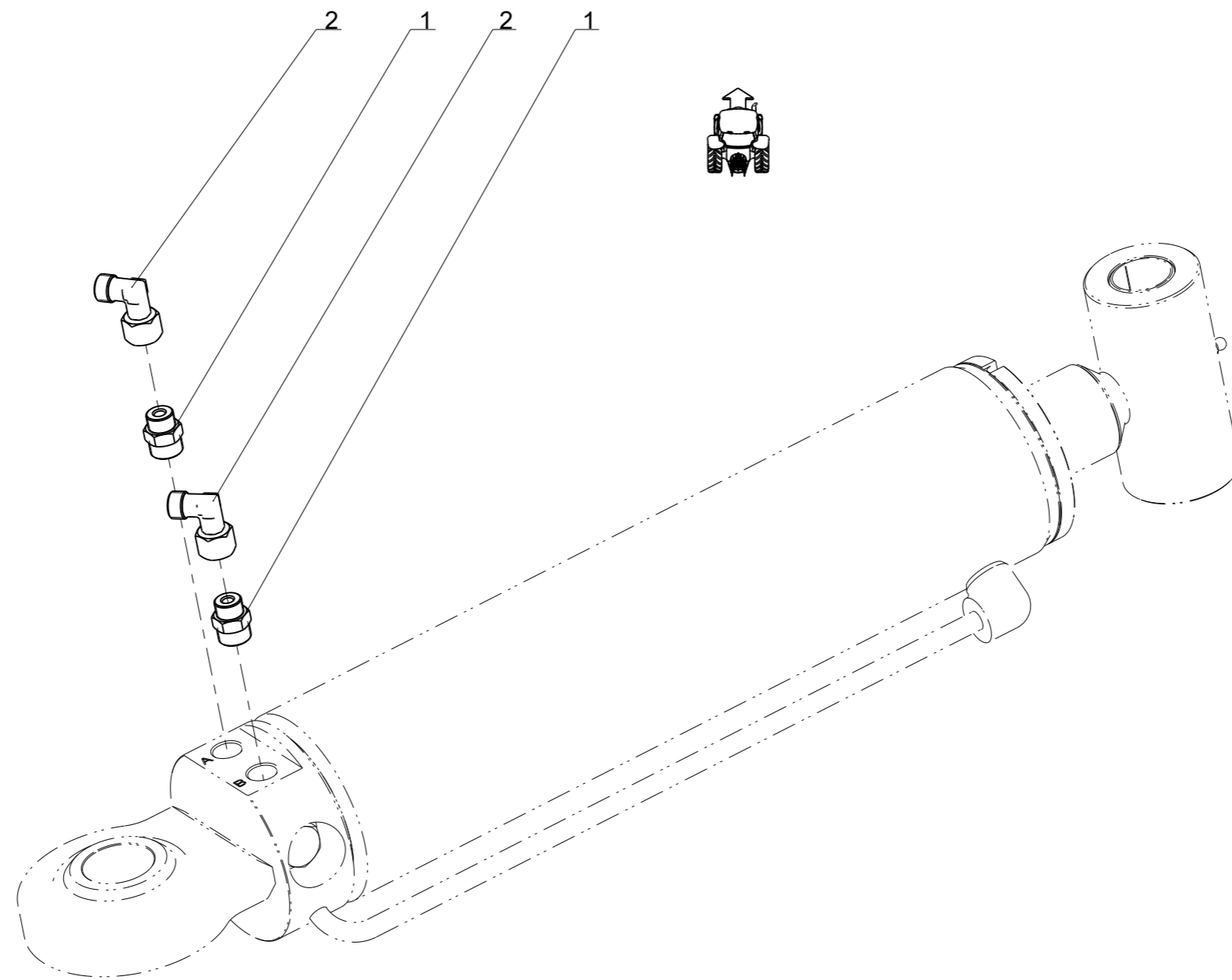
<i>Repere</i>	<i>Quantité</i>	<i>Reference</i>	<i>Designation</i>
1	1	5GB1 221 301	Offset yoke linked to beam
2	1	5GB1 221 302	Pin for offset yoke linked to beam
3	1	5GB1 221 303	Offset yoke link to pinion support
4	2	5GB1 221 310	Offset yoke pin linking centre and pinion support
5	1	5GB1 221 318	Cylinder outer pin - Dia 30, lg. : 200 mm
6	1	5GB1 221 331	Ram DA 90x50 Str. 340
-	1	5GB1 223 182	Hydraulic kit N°65E
7	3	5GB122 106	Special washer - 30.5x70x10
8	4	5GB122 246	Bronze bushing - Dia55x50, Lg=40
9	2	5GB122 295	Special washer - 50.5x82x2
10	4	5GB131 602	Screw H M20x 60 - 8.8 ZNBL, Teat-screw
11	3	5GBVJ 335	Nyloc nut std H M 30 - 8 ZNBL - thread 200
12	1	5GBVM 201	Grease nipple - M8, thread125

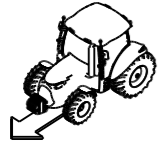
5GBRB4308 (1/1)

12-Sep-13
Revision : B
MaJ : 23-Mar-18

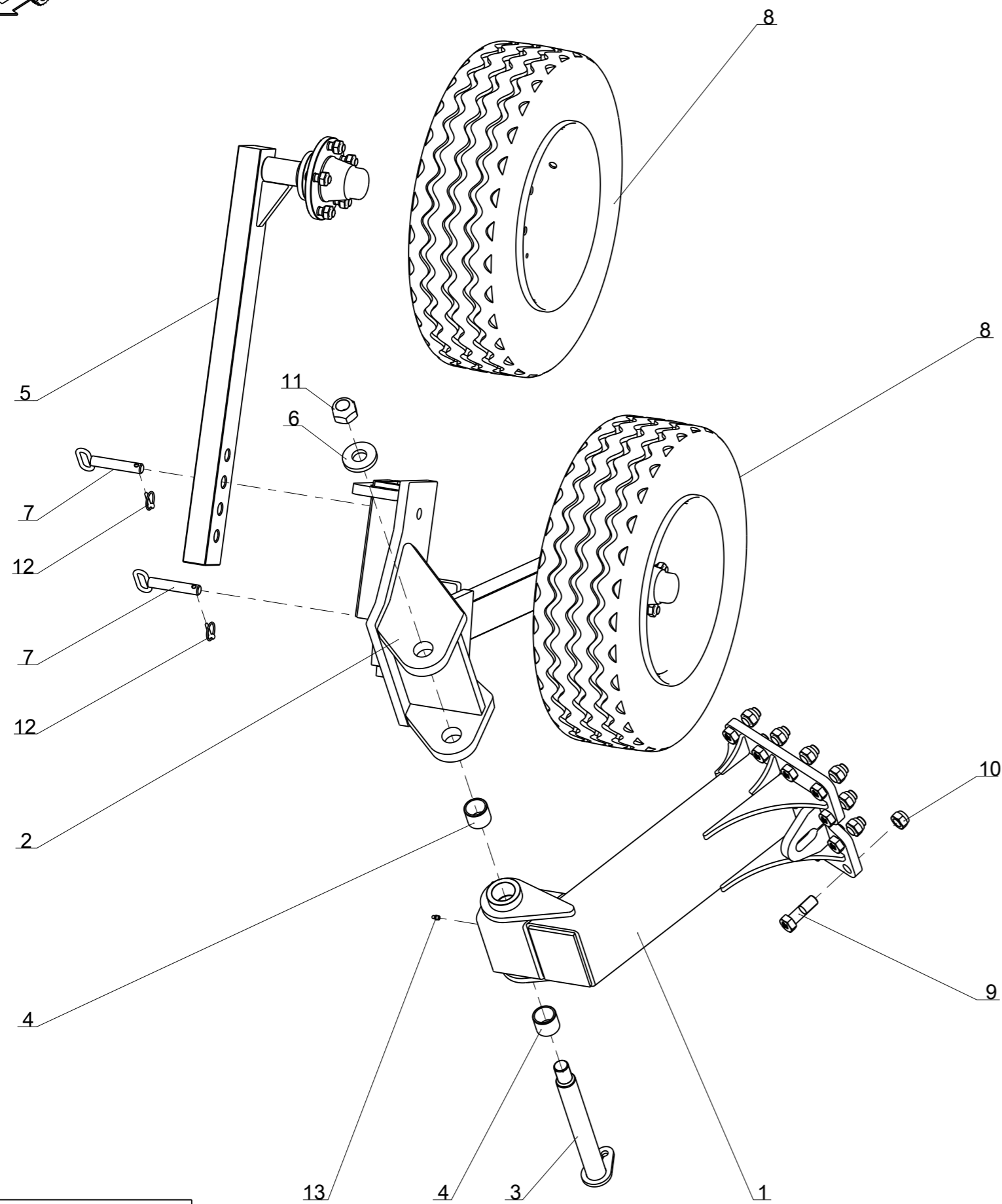
Kit Hyd. N°65E Deport Hyd. Indep
Hydraulic kit N°65E

<i>Index</i>	<i>Quantité</i>	<i>Reference</i>	<i>Designation</i>
1	2	5GB1 116 144	Union M8 + M3/8 Cyl
2	2	5GB1 116 525	Hydraulic adaptable elbow F8 + M8





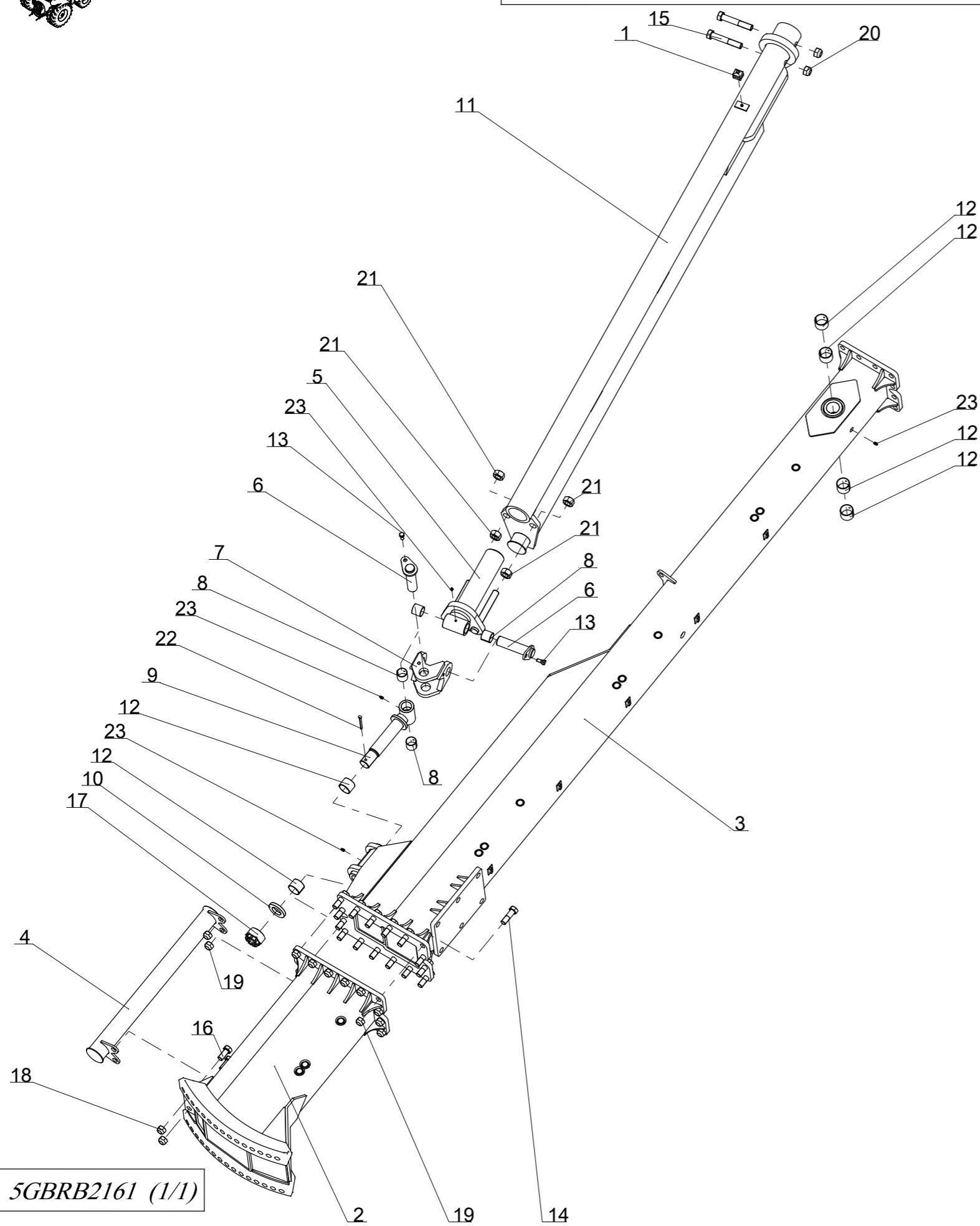
Roue RAD 700x12, Ht:180, jante jaune
Wheel RAD 700x12, Ht:180, yellow rim



Index	Quantité	Reference	Designation
1	1	5GB1 291 301	Wheel mounting bracket
2	1	5GB1 291 302	Swivel wheel bracket RAD
3	1	5GB1 291 303	Pivot pin Dia 40, lg. : 360 mm
4	2	5GB1 291 306	Bush composite Dia48x40 Lg=40
5	2	5GB1 291 308	Wheel arm RAD, Ht : 180
6	1	5GB122 106	Special washer - 30.5x70x10
7	2	5GB122 156	Working depth adjusting Pin
8	2	5GB198 709 Y	Complete wheel - 700 x 12, 5 studs
9	12	5GBVI 34 18	Screw H M22x 70 - 10.9 ZNBL, thread /34mm, thread150
10	12	5GBVJ 330	Nyloc nut std H M 22 - 8 ZNBL - thread 150
11	1	5GBVJ 335	Nyloc nut std H M 30 - 8 ZNBL - thread 200
12	2	5GBVL 101	Lynch pin "Clips" Dia6 Z
13	1	5GBVM 201	Grease nipple - M8, thread125



Caisson Av. semi-portée, chariot hors-raie 4/1000 (3+1), Secu. boulon
Front beam 4-furrows (1000), bolt safety

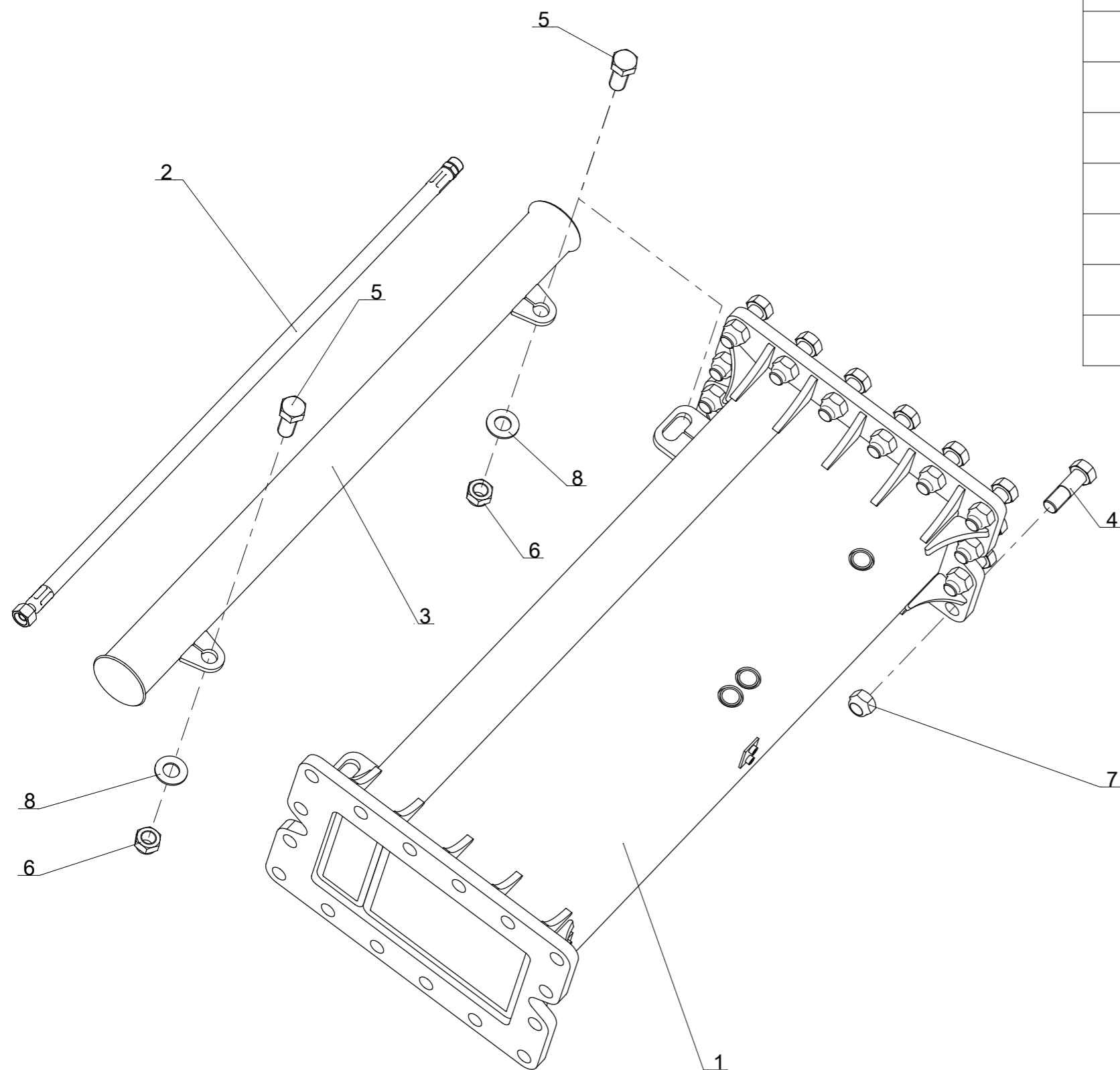


Repere	Quantite	Reference	Designation
1	1	5GB1 116 233	Double hose fixation 2x12 cpl.
2	1	5GB1 215 126	Front adjustable extension - 5 angles M22
3	1	5GB1 215 127	Front beam - 3 furrows 1000
4	1	5GB1 215 148	Hoses protection tube lg. : 850 mm
5	1	5GB1 231 101	Adjustable Rear shaft
6	2	5GB1 231 102	Rear cardan axle - Dia 40, lg. : 165 mm
7	1	5GB1 231 104	Rear cardan
8	4	5GB1 231 143	Bronze bushing - Dia44x40, Lg=40
9	1	5GB1 231 150	Cardan pivot axle - Dia 50 Lg:260mm M45x3.00
10	1	5GB1 231 151	Cardan washer - Dia 45.5x80x12
11	1	5GB1 231 409	Front stabilization tube - 3 furrows 1000 lg. : 2640 mm
12	6	5GB122 246	Bronze bushing - Dia55x50, Lg=40
13	2	5GBVI 24 33	Screw H conical M12x22 lg. : 36
14	16	5GBVI 34 18	Screw H M22x 70 - 10.9 ZNBL, thread /34mm, thread150
15	2	5GBVI 35 08	Screw H M24x140 - 8.8 ZNBL
16	2	5GBVI 46 05	Screw H M22x 50 - 8.8 ZNBL
17	1	5GBVJ 212	Nut HK M 45x 300 - 8 - ZNBL
18	2	5GBVJ 329	Nyloc nut std H M 22- 8 ZNBL
19	16	5GBVJ 330	Nyloc nut std H M 22 - 8 ZNBL - thread 150
20	2	5GBVJ 331	Nyloc nut std H M 24 - 8 ZNBL
21	4	5GBVJ 623	Nut HU M27 - 8 ZNBL
22	1	5GBVL 419	Split pin V 8x80
23	4	5GBVM 201	Grease nipple - M8, thread125



Rallonge Av. semi-portée chariot en raie et/ou hors raie 1/1000

Front extension 1/100



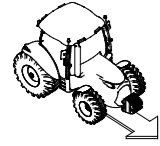
<i>Repere</i>	<i>Quantité</i>	<i>Reference</i>	<i>Designation</i>
1	1	5GB1 215 119	Front extension 1/100
2	1	5GB1 215 143	Hyd. hose 1/2", Lg.:1000, F15-M15
3	1	5GB1 215 672	Hoses protection tube lg. : 1000
4	16	5GBVI 34 18	Screw H M22x 70 - 10.9 ZNBL, thread /34mm, thread150
5	2	5GBVI 46 05	Screw H M22x 50 - 8.8 ZNBL
6	2	5GBVJ 329	Nyloc nut std H M 22- 8 ZNBL
7	16	5GBVJ 330	Nyloc nut std H M 22 - 8 ZNBL - thread 150
8	2	5GBVK 509	Flat washer MU22 ZNBL

5GBRB2645 (1/1)

if need for hydraulic hose protection, order the desired length

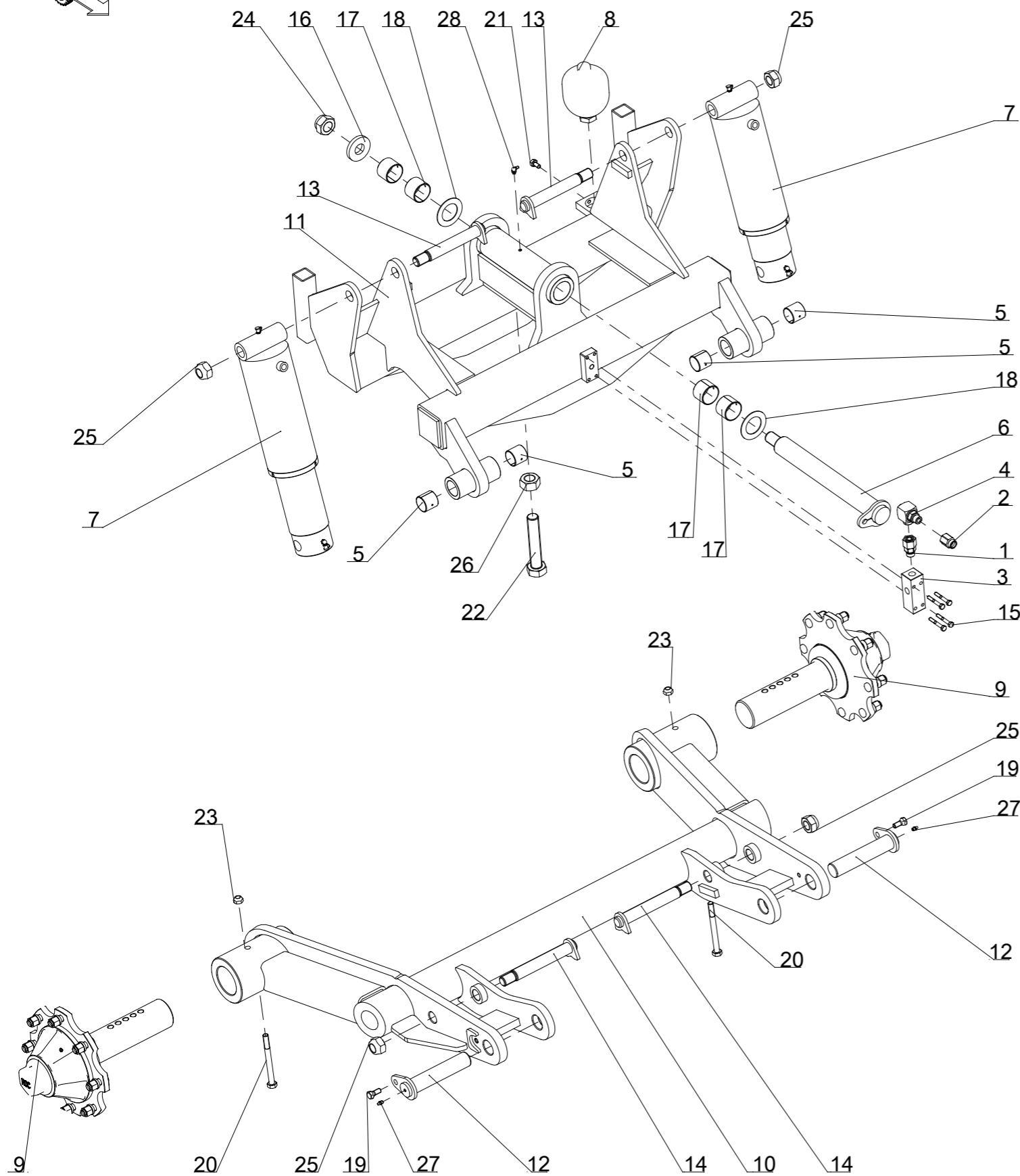
<i>Picture</i>	<i>Qty</i>	<i>Reference</i>	<i>Designation</i>
	meter	5GB1116581	Plastic flat spring Dia 15mm
	meter	5GB1116582	Plastic flat spring Dia 20mm
	meter	5GB1116580	Plastic flat spring Dia 13mm
	meter	5GB1116546	Plastic flat spring Dia25-40mm

26-May-08
Revision : B
MaJ : 22-Feb-18



Chariot Renf. semie-portée V105 Ht180

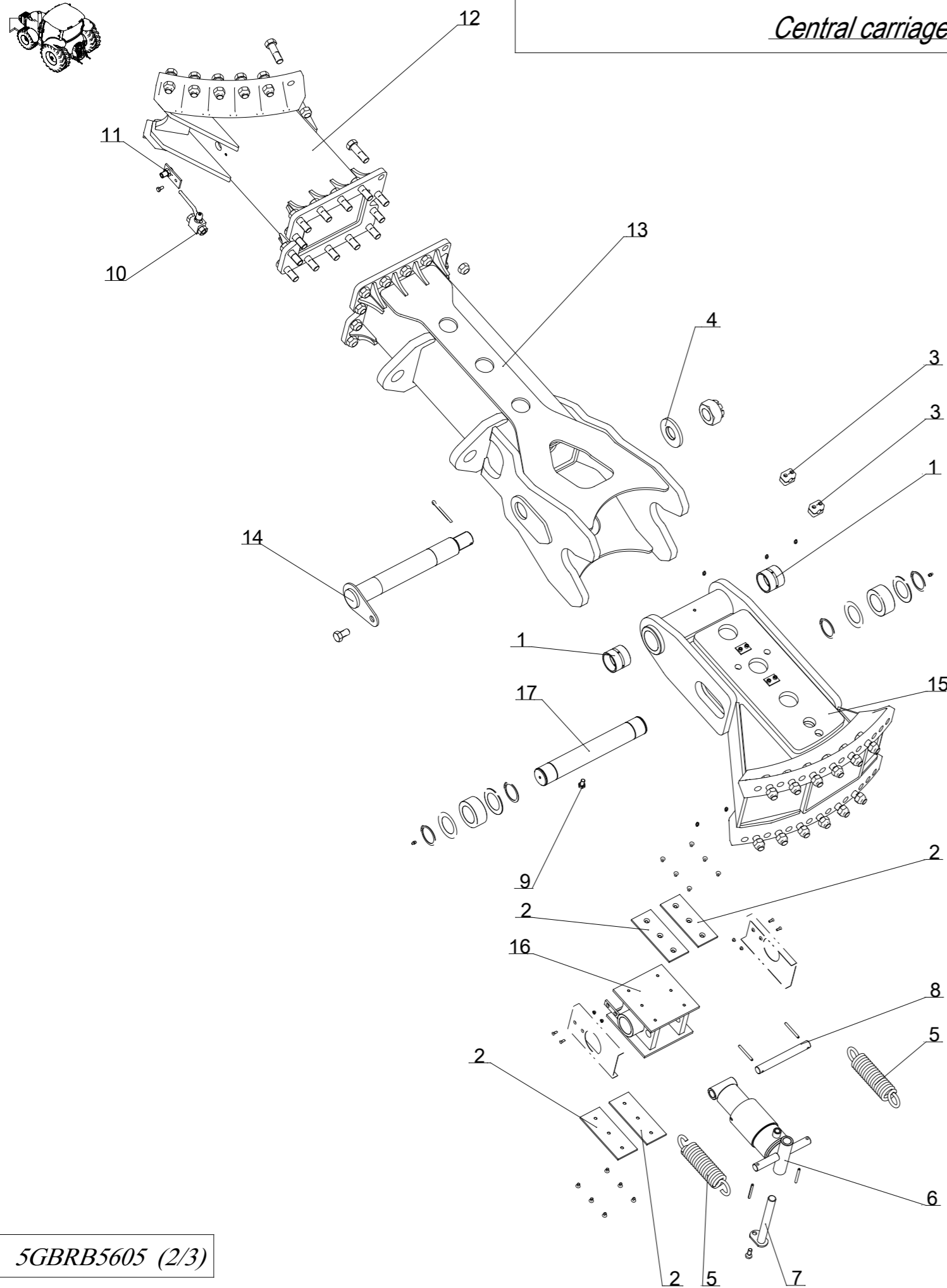
Central carriage Ht:180, Ram 105



Repere	Quantite	Reference	Designation
1	1	5GB1 116 586	Reduction fittings S16-G1/2
2	1	5GB1 116 587	Right screwed connection L15-G1/2
3	1	5GB1 214 188	Derivation block support
4	1	5GB1 214 189	Rotating coupling 1/2, 90°
5	4	5GB1 231 143	Bronze bushing - Dia40x44, lg. : 40 mm
6	1	5GB1 231 302	Turnover axle - Dia 50, lg. : 480 mm
7	2	5GB1 231 326	Ram SA 105 Str.212
8	1	5GB1 233 105	Accumulator 0.75 l. set 90 bars
9	2	5GB1 233 247	Compleat Hub 8-stud (808X)
10	1	5GB1 233 288	Central carriage
11	1	5GB1 235 170	Central hitch point
12	2	5GB1 235 172	Lower hub pivot
13	2	5GB1 235 237	Axle Dia30
14	2	5GB1 235 238	Axle Dia30
15	4	5GB16 449	Screw H M8x 55 - 8.8 ZNBL
16	1	5GB122 106	Special washer - 30.5x70x10
17	4	5GB122 246	Bronze bushing - Dia50x55, lg. : 40 mm
18	2	5GB122 295	Special washer - 50.5x82x2
19	2	5GBVI 24 33	Screw H conical M12x22 lg. : 36
20	2	5GBVI 30 24	Screw H M14x150 - 8.8 ZNBL
21	1	5GBVI 40 11	Screw H M10x 20 - 8.8 ZNBL
22	1	5GBVI 47 01	Screw H M30x160 - 10.9 ZNBL
23	2	5GBVJ 323	Nyloc nut std H M 14 - 8 ZNBL
24	1	5GBVJ 335	Nyloc nut std H M 30 - 8 ZNBL - thread 200
25	4	5GBVJ 342	Nyloc nut std H M 27 - 8 ZNBL
26	1	5GBVJ 626	Nut HU M30 - 8 ZNBL
27	2	5GBVM 201	Grease nipple - M8, thread125
28	1	5GBVM 203	Grease nipple 90° M8x125

Chariot Renf. semie-portée V105 Ht180

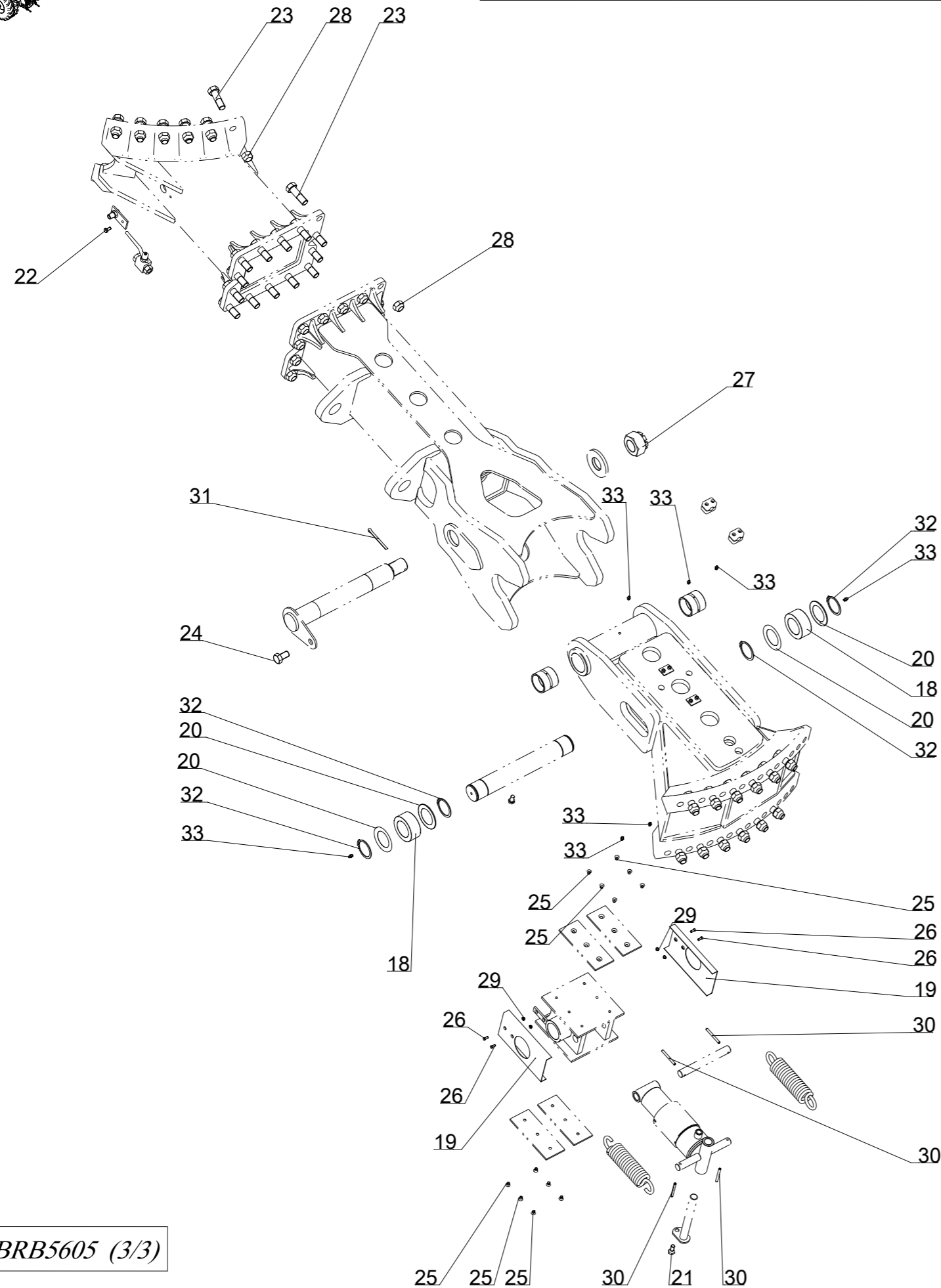
Central carriage Ht:180, Ram 105



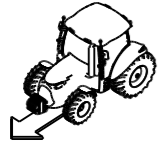
<i>Repere</i>	<i>Quantite</i>	<i>Reference</i>	<i>Designation</i>
1	2	5GB1 115 239	Steel bushing 60x70 Lg:60
2	4	5GB1 118 610 U	Plastic plate - 200 x 80, thick. : 6 mm
3	2	5GB1 118 929	Hose fixation 1x16 cpl.
4	1	5GB1 215 238	Rear washer
5	2	5GB1 231 213	Spring N°2101A
6	1	5GB1 231 214	Ram SA 80 Stroke 80
7	1	5GB1 231 215	Rear pin for guide cylinder - Dia 25, lg. : 230 mm
8	1	5GB1 231 216	Front pin for guide cylinder - Dia 25, lg. : 210 mm
9	1	5GB1 231 233	Screw H M12 x 25 - 8.8 Z, pointed
10	1	5GB1 231 243	Shut off valve 1/4
11	1	5GB1 235 121	Hydraulic connection
12	1	5GB1 235 123	Central carriage adjustable Front extension, M22
13	1	5GB1 235 219	Carriage front beam
14	1	5GB1 235 220	Turnover axle Dia60, Lg:410
15	1	5GB1 235 221	Carriage rear beam
16	1	5GB1 235 222	Carriage slide reinforced
17	1	5GB1 235 223	Sliding guide pin reinforced

Chariot Renf. semie-portée V105 Ht180

Central carriage Ht:180, Ram 105



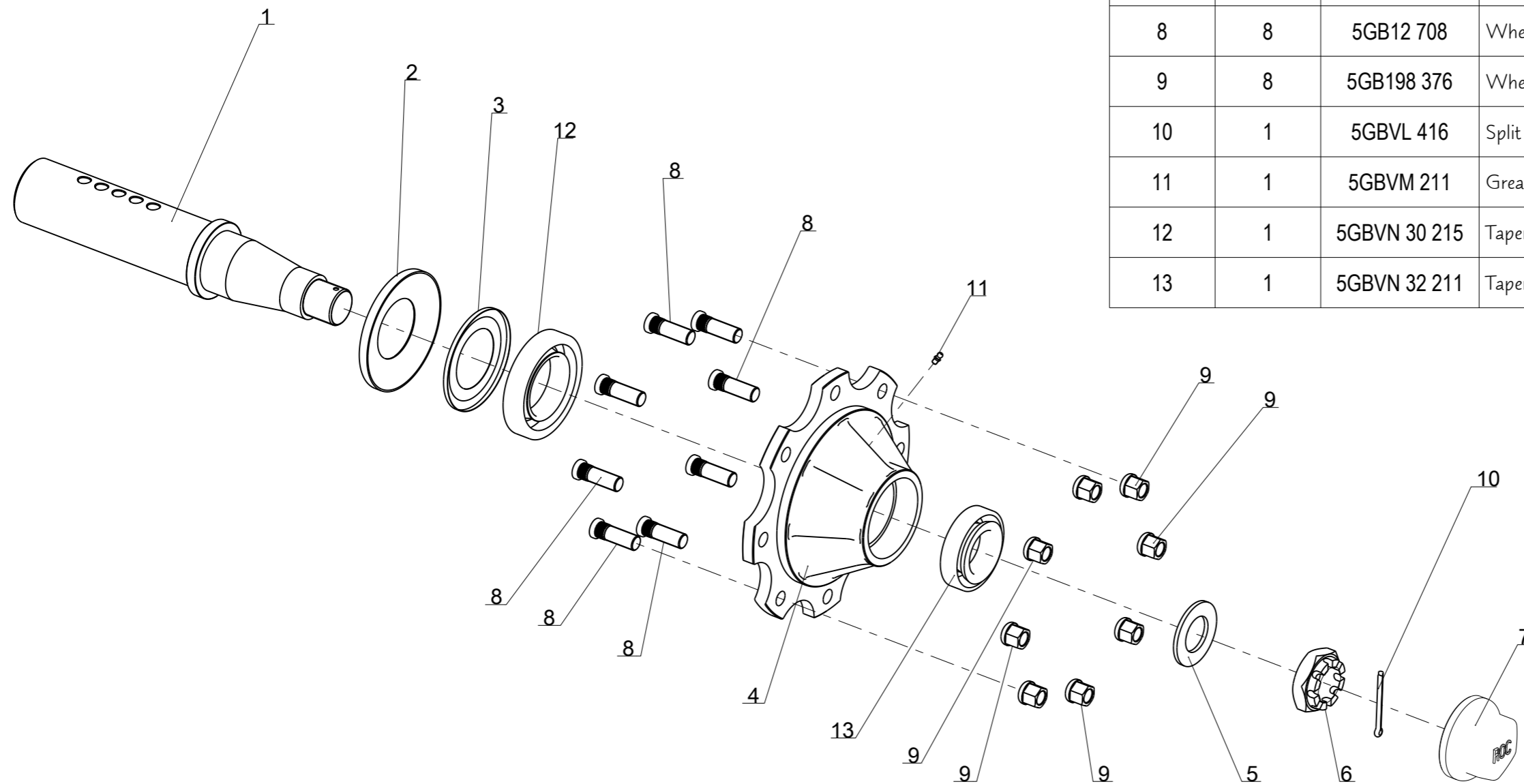
<i>Repere</i>	<i>Quantite</i>	<i>Reference</i>	<i>Designation</i>
18	2	5GB1 235 224	Central carriage bearing reinforced
19	2	5GB1 235 225	Slide protection plate
20	4	5GB1 235 226	Grease raitener Nylos, Dia 60x90.8
21	1	5GBVI 24 33	Screw H conical M12x22 lg. : 36
22	1	5GBVI 27 03	Screw H M8x 16 - 8.8 ZNBL
23	38	5GBVI 34 18	Screw H M22x 70 - 10.9 ZNBL, thread /34mm, thread150
24	1	5GBVI 45 01	Screw H M20x 35 - 8.8 ZNBL
25	12	5GBVI 49 02	Screw FHC M8x 12 - 10.9 Black
26	4	5GBVI 49 16	Screw FHC M6x 16 - 10.9 Black
27	1	5GBVJ 212	Nut HK M 45x 300 - 8 - ZNBL
28	38	5GBVJ 330	Nyloc nut std H M 22 - 8 ZNBL - thread 150
29	4	5GBVJ 340	Nyloc nut std H M 6 - 8 ZNBL
30	4	5GBVL 220	Thick roll pin - 7x70 mm
31	1	5GBVL 419	Split pin V 8x80
32	4	5GBVM 010	Outer snap ring for shaft Dia 60 mm
33	7	5GBVM 201	Grease nipple - M8, thread125



Moyeu 8 trous complet (808X)

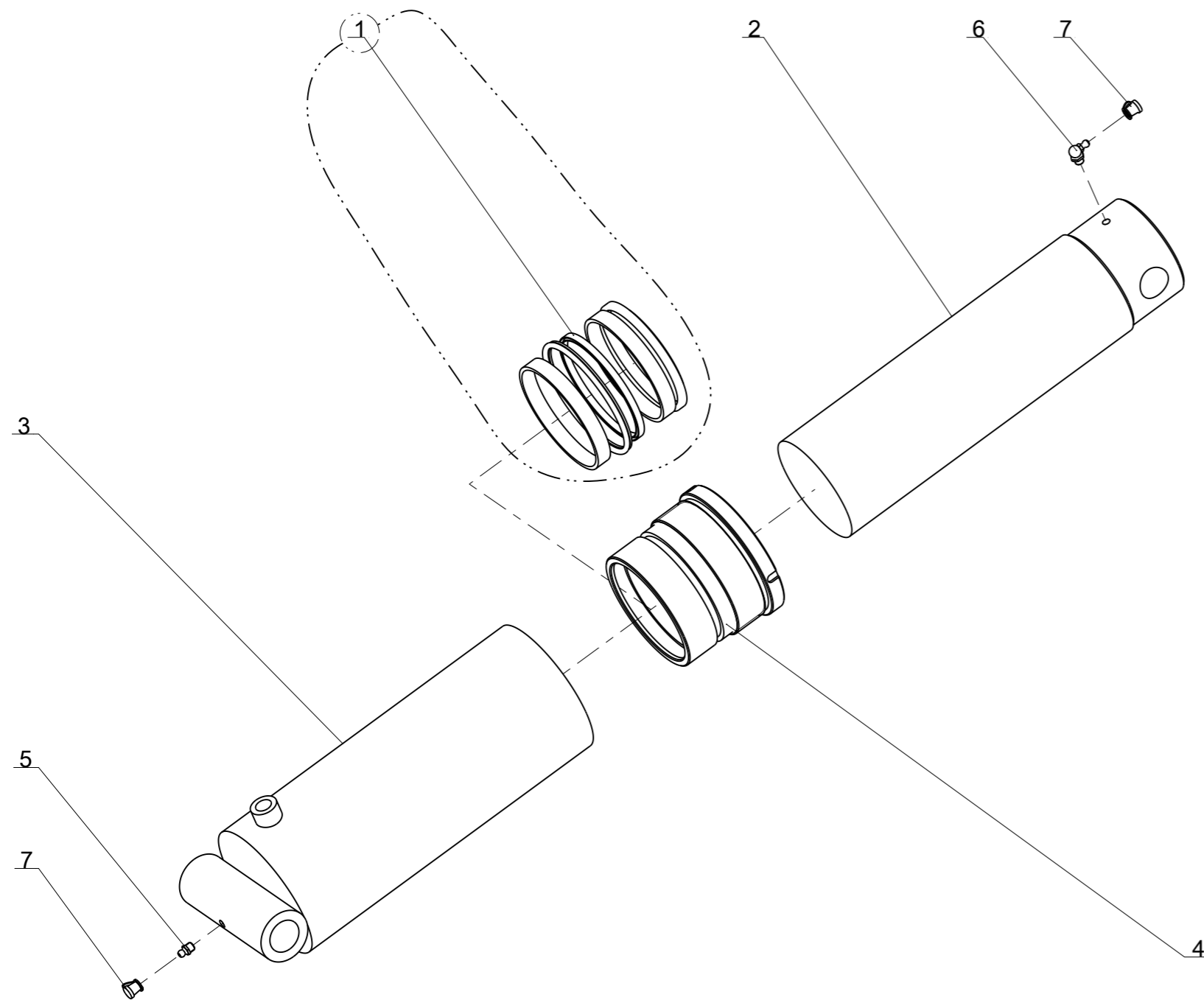
Complet Hub 8-stud (808X)

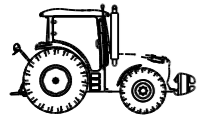
<i>Index</i>	<i>Quantité</i>	<i>Référence</i>	<i>Designation</i>
1	1	5GB1 233 247 A	Rocket, Hub 8 holes (808X)
2	1	5GB1 235 143	Protection washer (808X)
3	1	5GB1 235 144	Metal seal (808X)
4	1	5GB1 235 145	Hub 8-holes (808X)
5	1	5GB1 235 146	Washer 45x80 Lg:5
6	1	5GB1 235 147	Nut HK M 45x 200 - 8 - ZNBL, Ht:28
7	1	5GB1 235 148	Wheel hub cap - M101.5x1.5
8	8	5GB12 708	Wheel stud M18x150 Lg:54
9	8	5GB198 376	Wheel nut - M18, thread 1.50
10	1	5GBVL 416	Split pin V 6.3x70
11	1	5GBVM 211	Grease nipple - M6, thread100
12	1	5GBVN 30 215	Taper roller bearing
13	1	5GBVN 32 211	Taper roller bearing



Verin SE 105 C212
Ram SA 105 Str.212

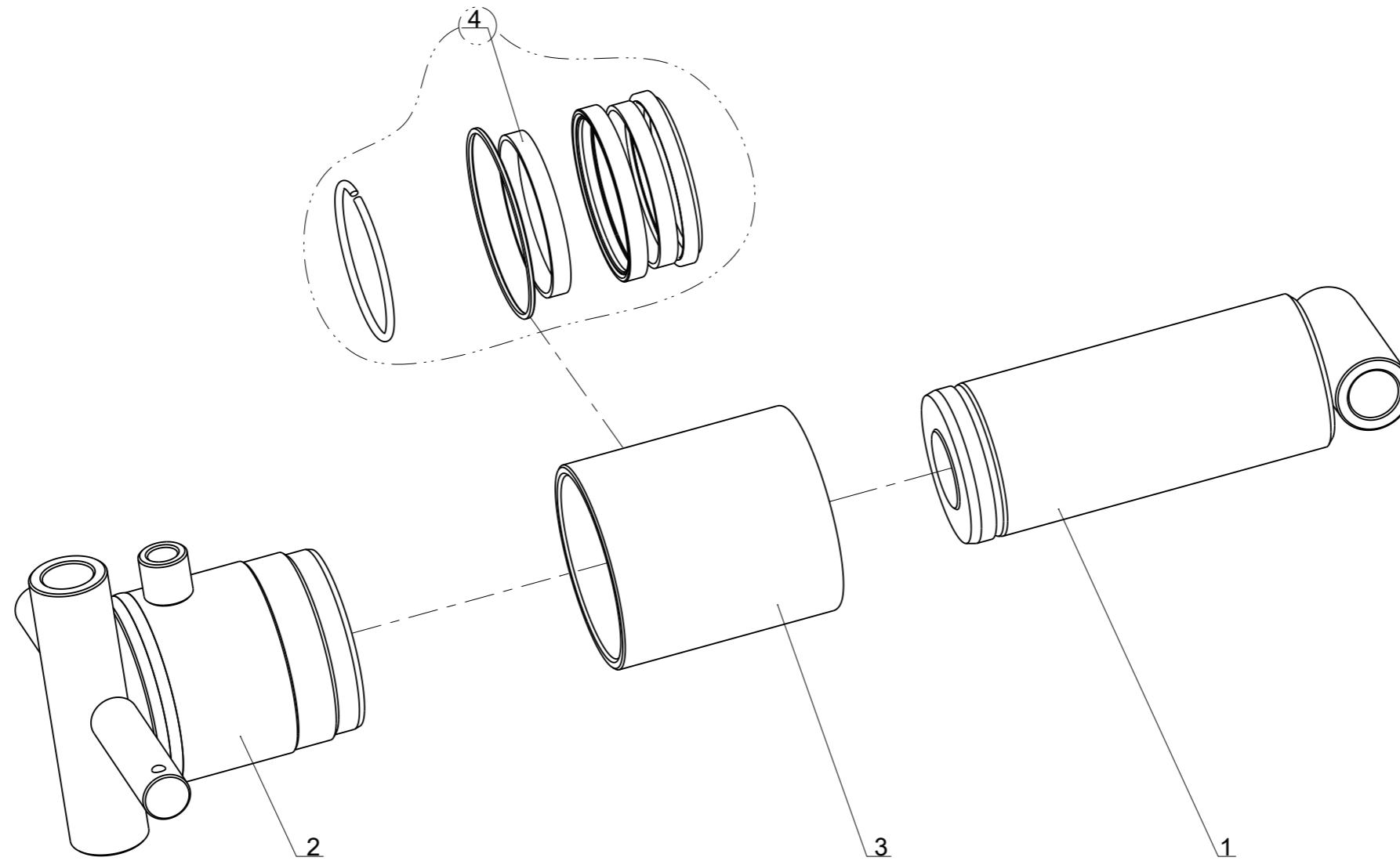
<i>Index</i>	<i>Quantité</i>	<i>Référence</i>	<i>Designation</i>
1	1	5GB1 231 331	Seal kit for ram 1 231 326
2	1	5GB1 231 343	Ram stick SA 105 Str. 212 / 1 231 326
3	1	5GB1 231 344	Ram Cylinder SA 105 Str. 212
4	1	5GB1 231 345	Ram stick guide SA 105 Str.212
5	1	5GBVM 201	Grease nipple - M8, thread125
6	1	5GBVM 203	Grease nipple 90° M8x125
7	2	5GBVM 215	Grease cap





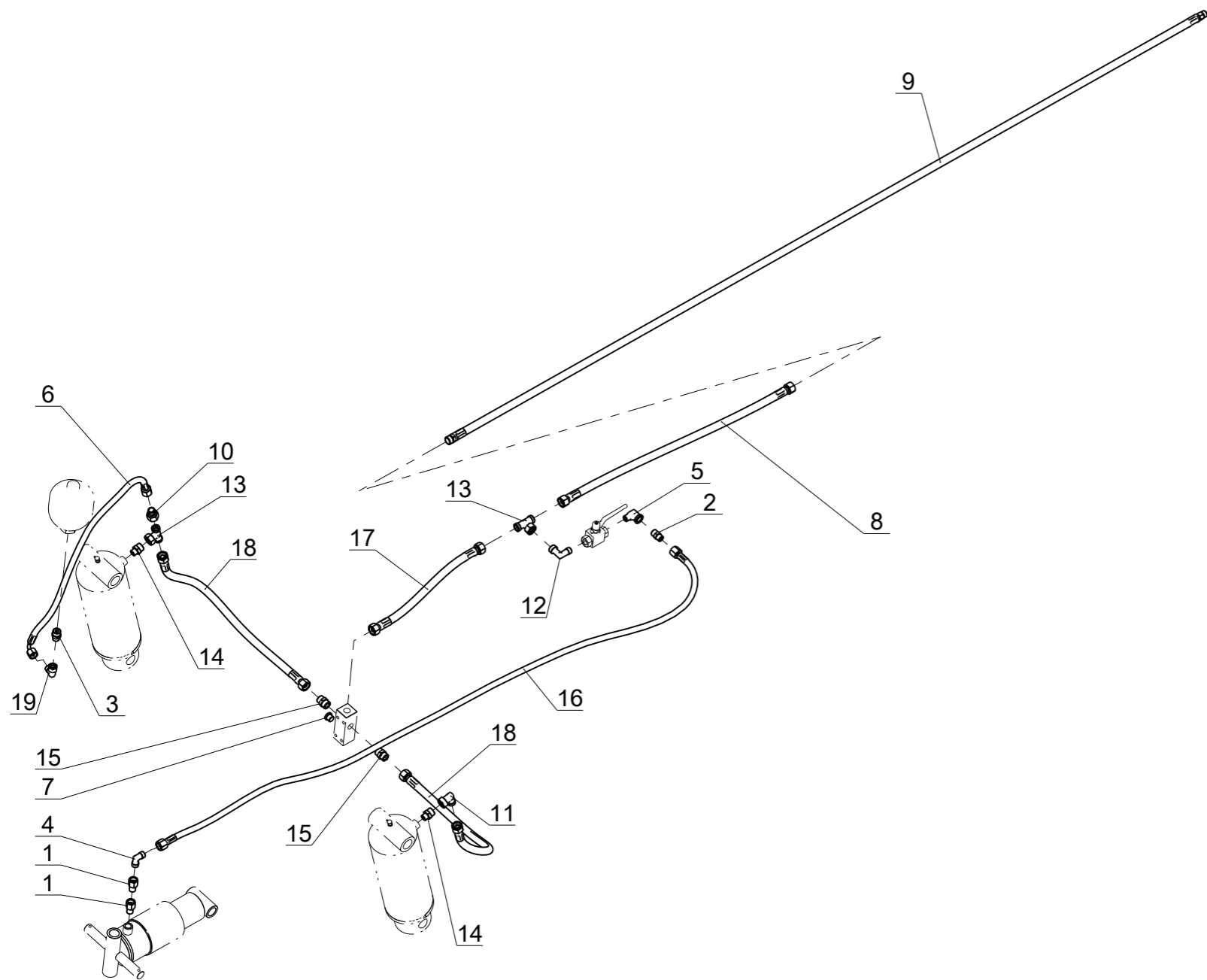
Verin SE 80 C80
Ram SA 80 Stroke 80

<i>Index</i>	<i>Quantité</i>	<i>Référence</i>	<i>Designation</i>
1	1	5GB1 231 219	Ram Stick SA 80 Stroke 80
2	1	5GB1 231 220	Ram cylinder SA for 1 231 214
3	1	5GB1 231 235	Ram stick guide SA 80
4	1	5GB1 231 236	Seal kit for ram SA 80





Kit Hyd. Chariot à glissière
Hydraulic kit central carriage

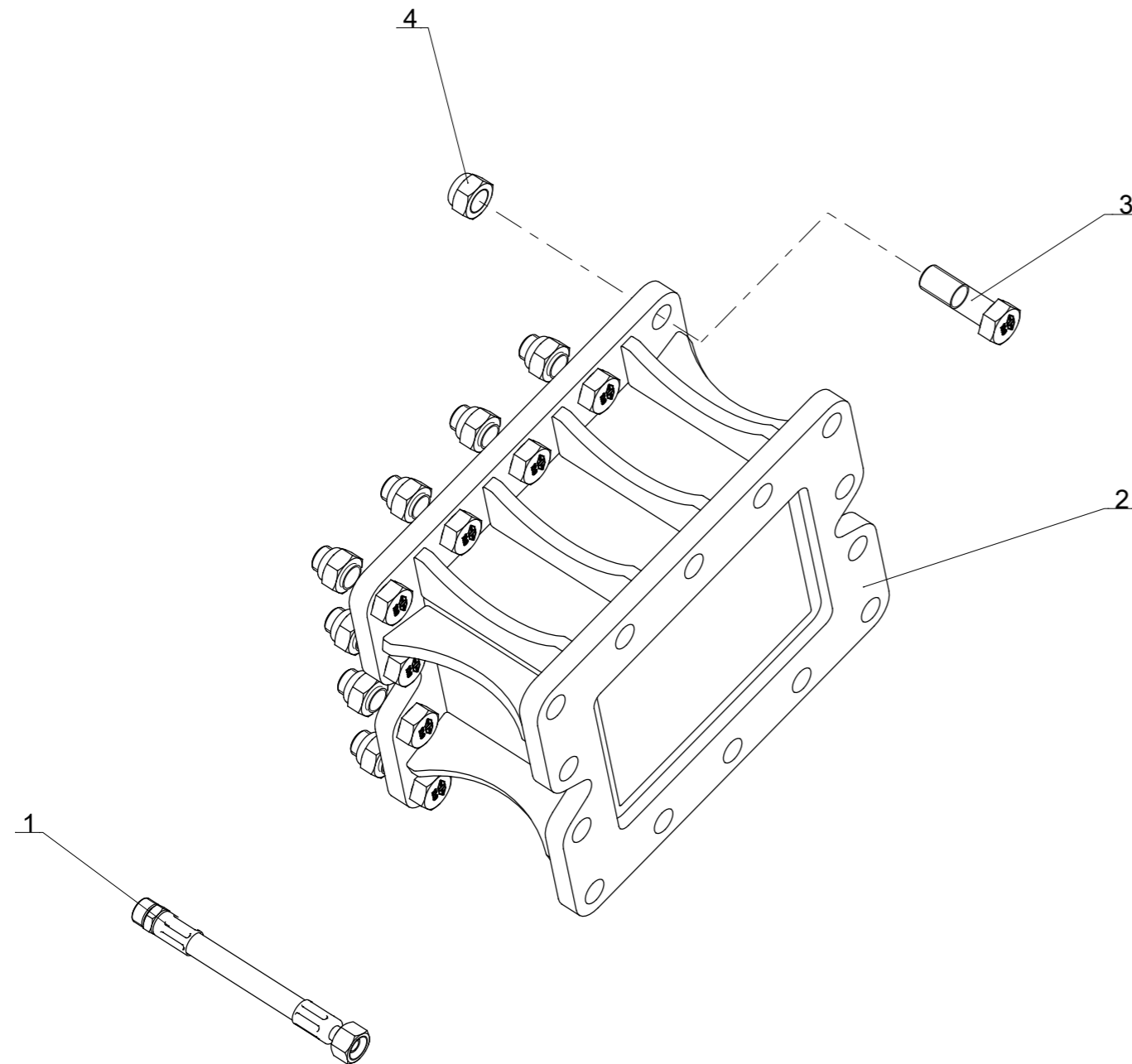


Index	Quantité	Référence	Designation
1	2	5GB1 116 231	Hydraulic adapter M 3/8 Co + F 3/8
2	1	5GB1 116 363	Union M12 + M3/8 Cyl
3	1	5GB1 116 509	Union M12 + M1/2 Cyl
4	1	5GB1 116 521	Hydraulic elbow M12 + M3/8 Co
5	1	5GB1 116 524	Hydraulic elbow M3/8 Co. + F3/8
6	1	5GB1 118 967	Hyd. hose 5/16", lg. : 800 mm, F12-F12 90°
7	1	5GB1 122 756	Stop end male 3/8 Cyl
8	1	5GB1 215 147	Hyd. hose 1/2", lg. : 1550 mm, F15-F15
9	1	5GB1 231 406	Hyd. 1/2", lg. : 6900 mm, M15-MVA18
10	1	5GB1 231 505	Hydraulic Adapter F 15 + M 12
11	1	5GB1 231 506	Hydraulic adaptable elbow F15 + M15
12	1	5GB1 231 508	Hydraulic elbow M15 + M3/8 Co
13	2	5GB1 231 519	Hydraulic 'T' - 2 M15 + F15
14	2	5GB1 231 523	Union M15 + M3/8 Cyl
15	2	5GB1 231 524	Union M15 + M1/2 Cyl
16	1	5GB1 235 152	Hyd. hose 5/16", lg. : 2300 mm, F12-F12
17	1	5GB1 235 240	Hyd. hose 1/2", lg. : 645, F15-F15
18	2	5GB1 235 241	Hyd. hose 1/2", lg. : 700, F15-F15
19	1	5GB122 315	Hydraulic adaptable elbow F12 + M12



Rallonge chariot semi-portée, Lg:200

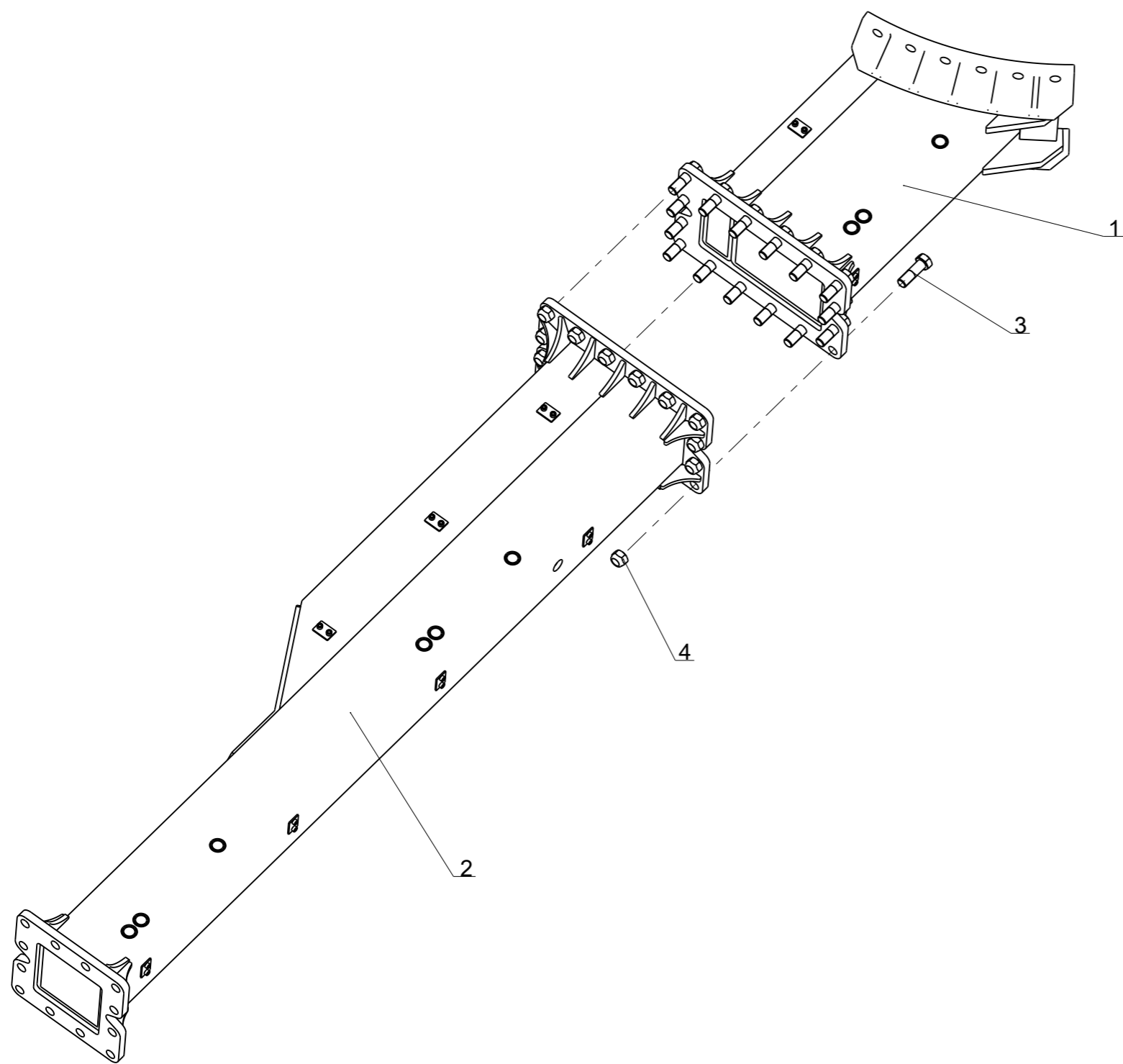
Carriage extension, Lg:200mm



<i>Index</i>	<i>Quantity</i>	<i>Reference</i>	<i>Designation</i>
1	1	5GB1 235 115	Hydraulic hose - Dia 1/2", lg. : 200 mm, M15-F15
2	1	5GB1 235 125	Central carriage extension SPF9-SPL9 - lg. : 200 mm
3	14	5GBVI 34 18	Screw H M22x 70 - 10.9 ZNBL, thread /34mm, thread150
4	14	5GBVJ 330	Nyloc nut std H M 22 - 8 ZNBL - thread 150



Caisson Ar. Semi-portée chariot 3/1000, Secu. boulon
Rear beam 3-furrows (1000), Bolt safety

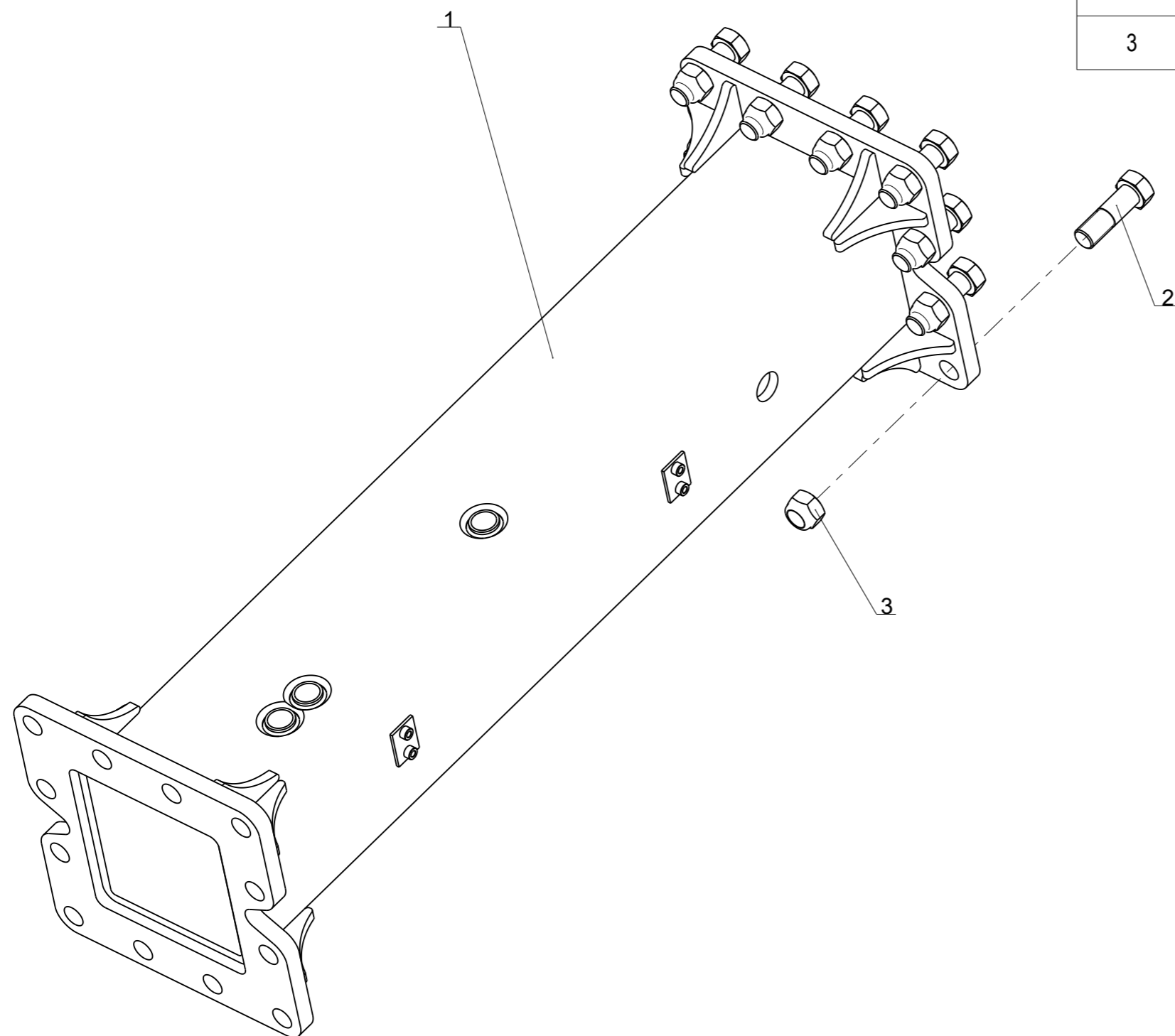


<i>Repere</i>	<i>Quantité</i>	<i>Reference</i>	<i>Designation</i>
1	1	5GB1 215 133	Central carriage adjustable Rear extension 1000
2	1	5GB1 215 137	Rear beam 2 furrows /1000
3	16	5GBVI 34 18	Screw H M22x 70 - 10.9 ZNBL, thread /34mm, thread150
4	16	5GBVJ 330	Nyloc nut std H M 22 - 8 ZNBL - thread 150



Rallonge Ar. semi-portée, 1/1000, Secu boulon
Rear extension 1/100, Bolt safety

<i>Repere</i>	<i>Quantité</i>	<i>Reference</i>	<i>Designation</i>
1	1	5GB1 215 139	Rear extension 1/1000
2	12	5GBVI 34 18	Screw H M22x 70 - 10.9 ZNBL, thread /34mm, thread150
3	12	5GBVJ 330	Nyloc nut std H M 22 - 8 ZNBL - thread 150

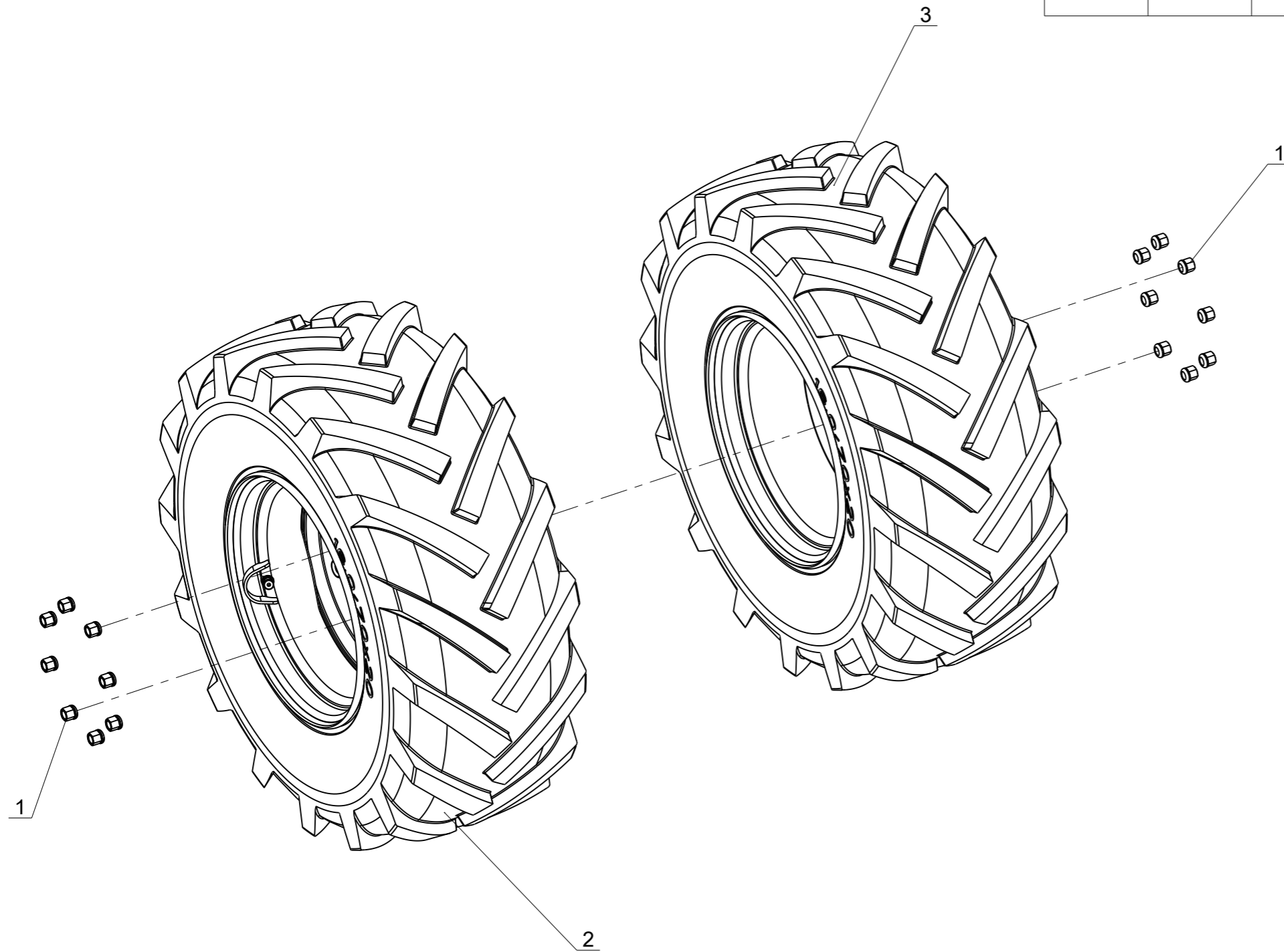


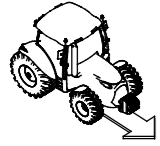


Roue - 16.0/70-20 TL AS504, 8 trs, jante jaune

Wheel - 16.0/70-20 TL AS504,8 studs, Yellow rim

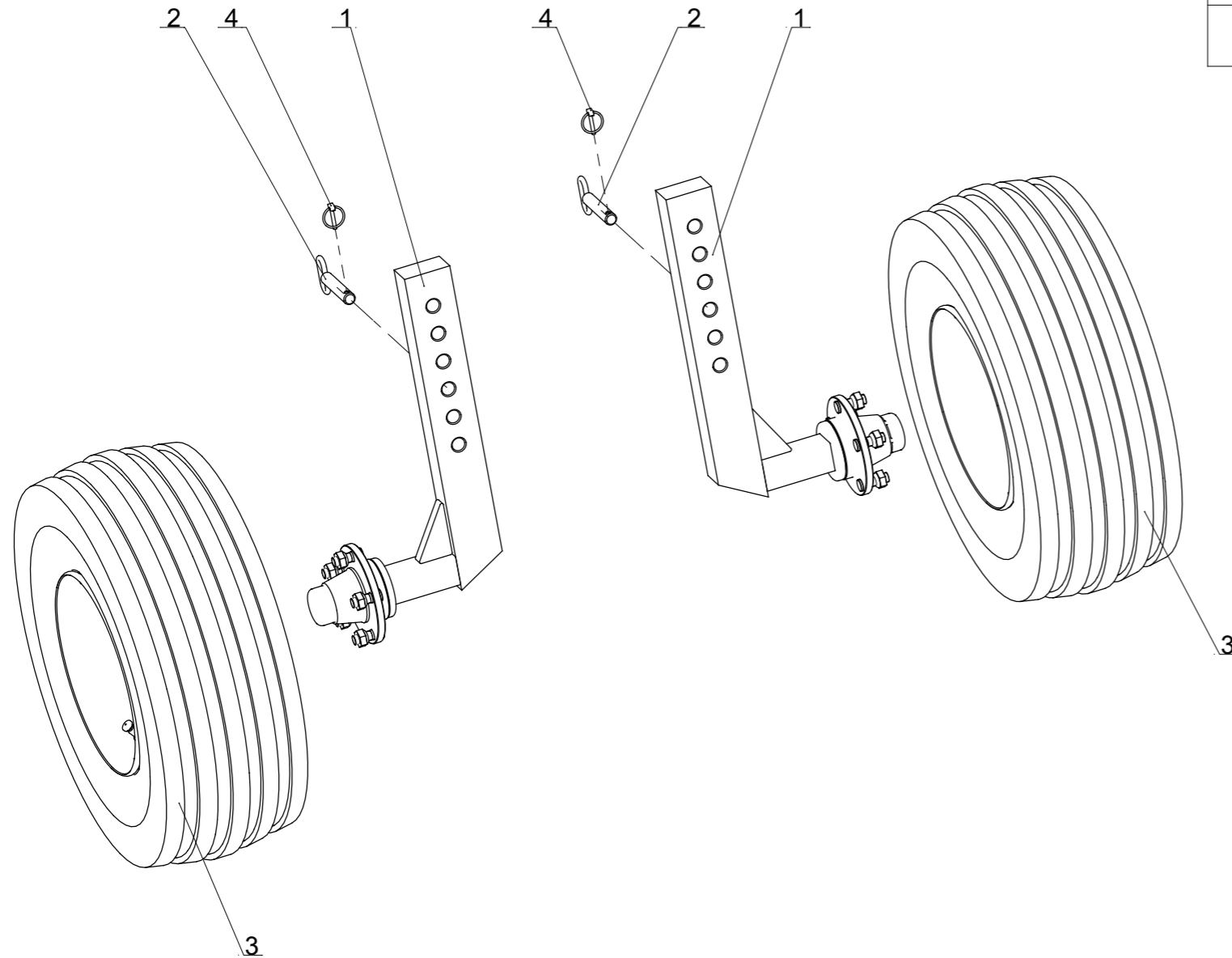
Index	Quantity	Reference	Designation
1	16	5GB198 376	Wheel nut - M18, thread 1.50
2	1	5GB198 734 DY	Cplt wheel - 16.0/70-20 TL AS504,8 studs, R.H. tractor, Yellow rim
3	1	5GB198 734 GY	Complete wheel - 16.0/70-20 TL AS504,8 studs, Left tractor, Yellow rim





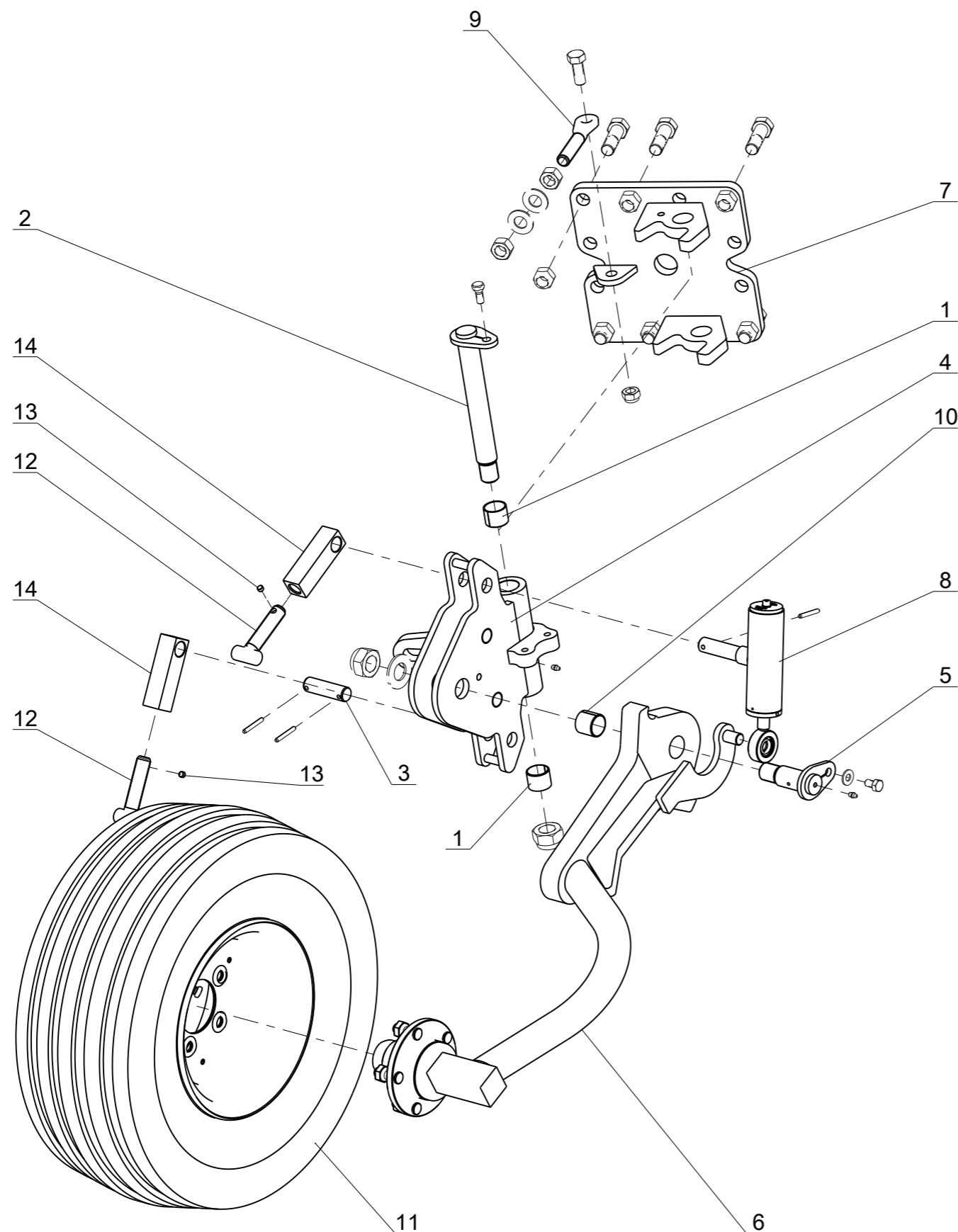
Kit 2 roues 10/75-12 / Quick-Coupler
Kit 2 wheel 10/75-12 / Quick-Coupler, yellow rim

<i>Repere</i>	<i>Quantité</i>	<i>Reference</i>	<i>Designation</i>
1	2	5GB122 155	Wheel arm on headstock
2	2	5GB122 156	Working depth adjusting Pin
3	2	5GB198 727 Y	Complete wheel 10.0/75-12,yellow rim 5-studs
4	2	5GBVL 101	Lynch pin "Clips" Dia6 Z





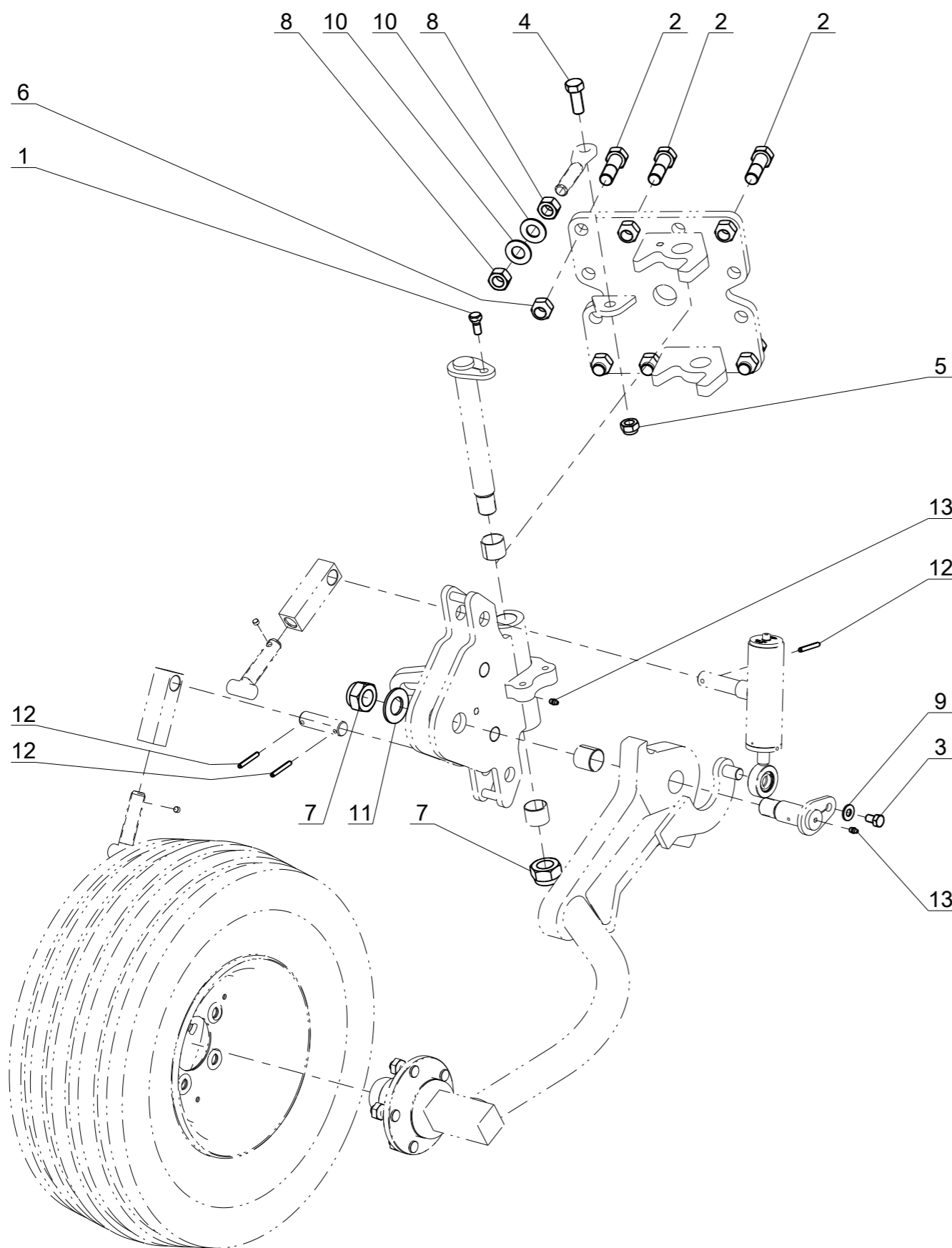
Roue RJR 10.0/75-12, jante jaune / SPF/L9 Std
Wheel RJR 10.0/75-12, yellow rim / SPL9 - Rear



Index	Quantity	Reference	Designation
1	2	5GB1 118 817	Bush steel Dia 39x35 Lg=30
2	1	5GB1 291 101	Pivot pin RJR - Dia 35, lg. : 290 mm, thread 2.00
3	1	5GB1 291 121	Adjuster pin wheel - Dia 25, lg. : 87 mm
4	1	5GB1 291 123	Swivel wheel bracket RJR
5	1	5GB1 291 124	Wheel axel pivot RJR - Dia 35, lu. : 62 mm, M30x2.00
6	1	5GB1 291 125	Wheel arm RJR
7	1	5GB1 291 155	Wheel mounting bracket RJR-Rear M22
8	1	5GB1 291 166	Wheel shock absorber - Dia 50x20, S.: 110 mm
9	1	5GB172 304	Eye bolt - M22, thick. : 11 mm
10	1	5GB198 521	Bush steel Dia 39x35 Lg=35
11	1	5GB198 727 Y	Complete wheel 10.0/75-12,yellow rim 5-studs
12	2	5GB198 913	'T' adjuster on land - M24, lg. : 120 mm
13	2	5GB198 914	Adjuster plastic lock
14	2	5GB198 931	Barrel nut RJR - square 35, M24, lg. : 125 mm



Roue RJR 10.0/75-12, jante jaune / SPF/L9 Std
Wheel RJR 10.0/75-12, yellow rim / SPL9 - Rear

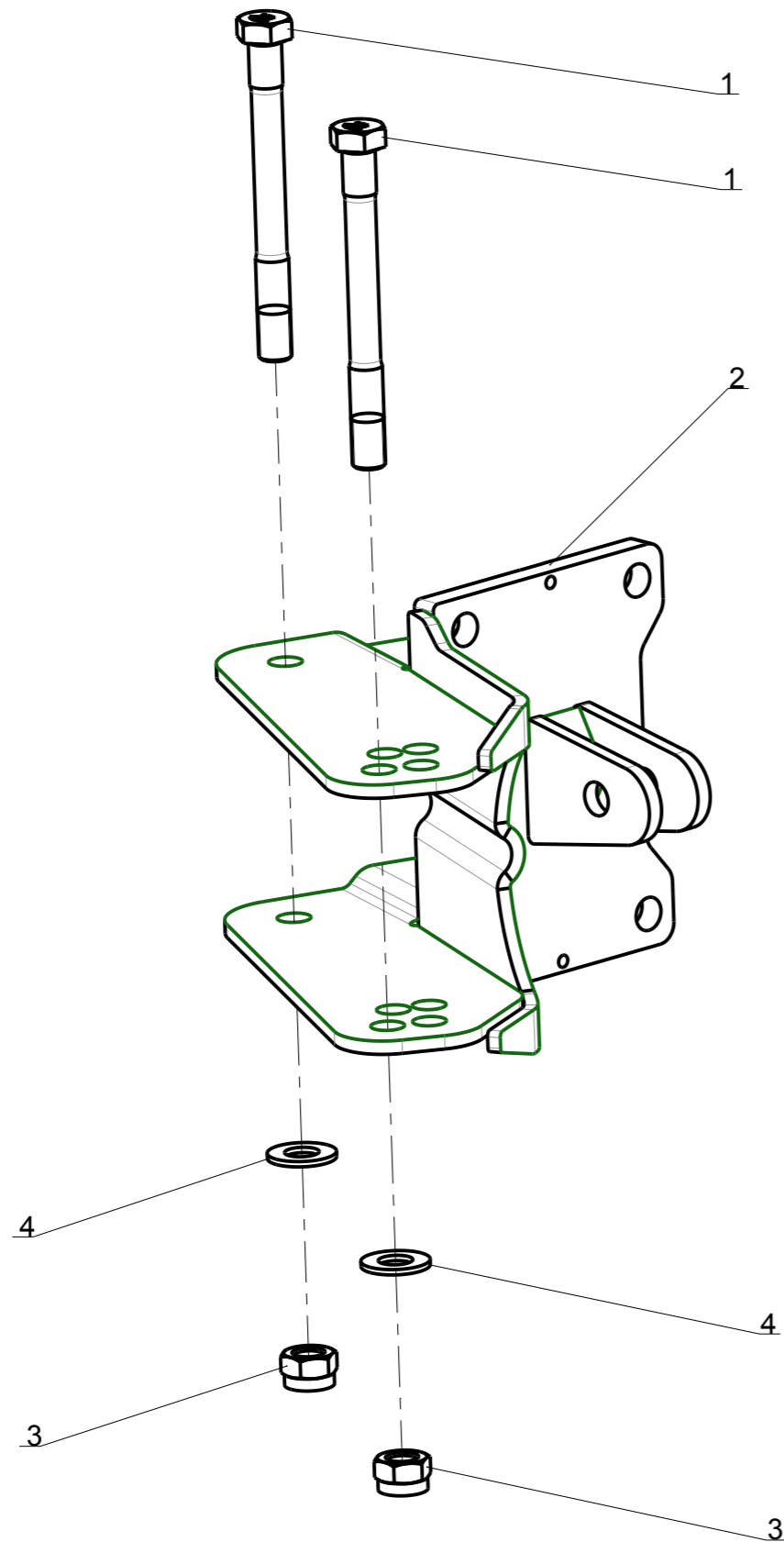


Index	Quantity	Reference	Designation
1	1	5GBVI 24 33	Screw H conical M12x22 lg. : 36
2	6	5GBVI 34 13	Screw H M22x 70 - 8.8 ZNBL, thread /34mm
3	1	5GBVI 41 02	Screw H M12x 20 - 8.8 ZNBL
4	1	5GBVI 44 04	Screw H M18x 45 - 8.8 ZNBL
5	1	5GBVJ 325	Nyloc nut std H M 18 - 8 ZNBL
6	6	5GBVJ 329	Nyloc nut std H M 22- 8 ZNBL
7	2	5GBVJ 335	Nyloc nut std H M 30 - 8 ZNBL - thread 200
8	2	5GBVJ 620	Nut HU M22 - 8 ZNBL
9	1	5GBVK 504	Flat washer MU12 ZNBL
10	2	5GBVK 509	Flat washer MU22 ZNBL
11	1	5GBVK 513	Flat washer MU30 ZNBL
12	3	5GBVL 219	Thick roll pin - 7x50 mm, ZNBL
13	2	5GBVM 201	Grease nipple - M8, thread125



Ensemble Console HA
Set Console HA

<i>Index</i>	<i>Quantite</i>	<i>Reference</i>	<i>Designation</i>
1	2	5GB1 118 358	Screw H M24x24O - 10.9 ZNBL, thread /36 mm
2	1	5GB1 118 475	Console
3	2	5GB985D24PA	Nut HFR M24 - 8 ZNBL
4	2	5GBVK 510	Flat washer MU24 ZNBL

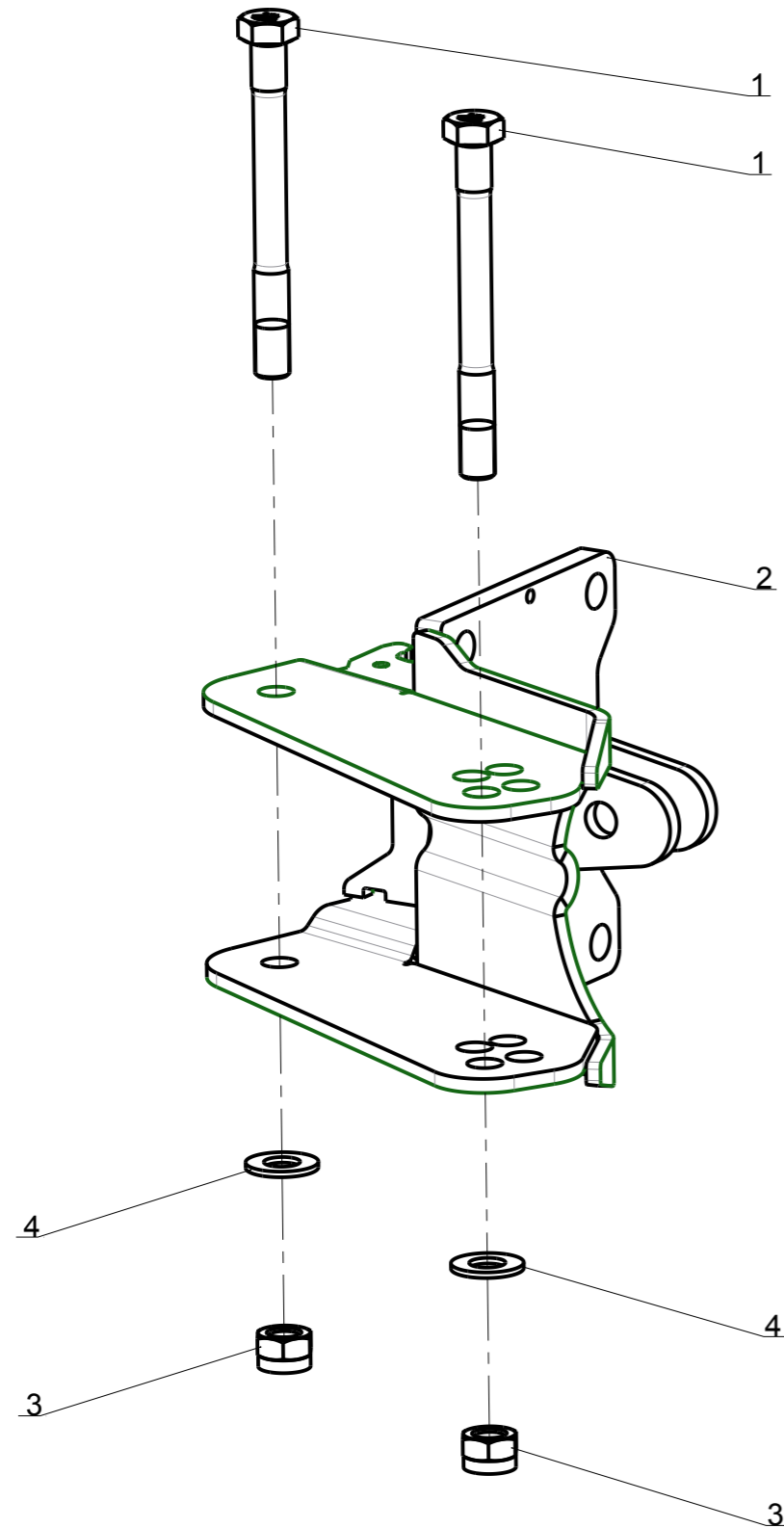




Ensemble Console HA + DOK

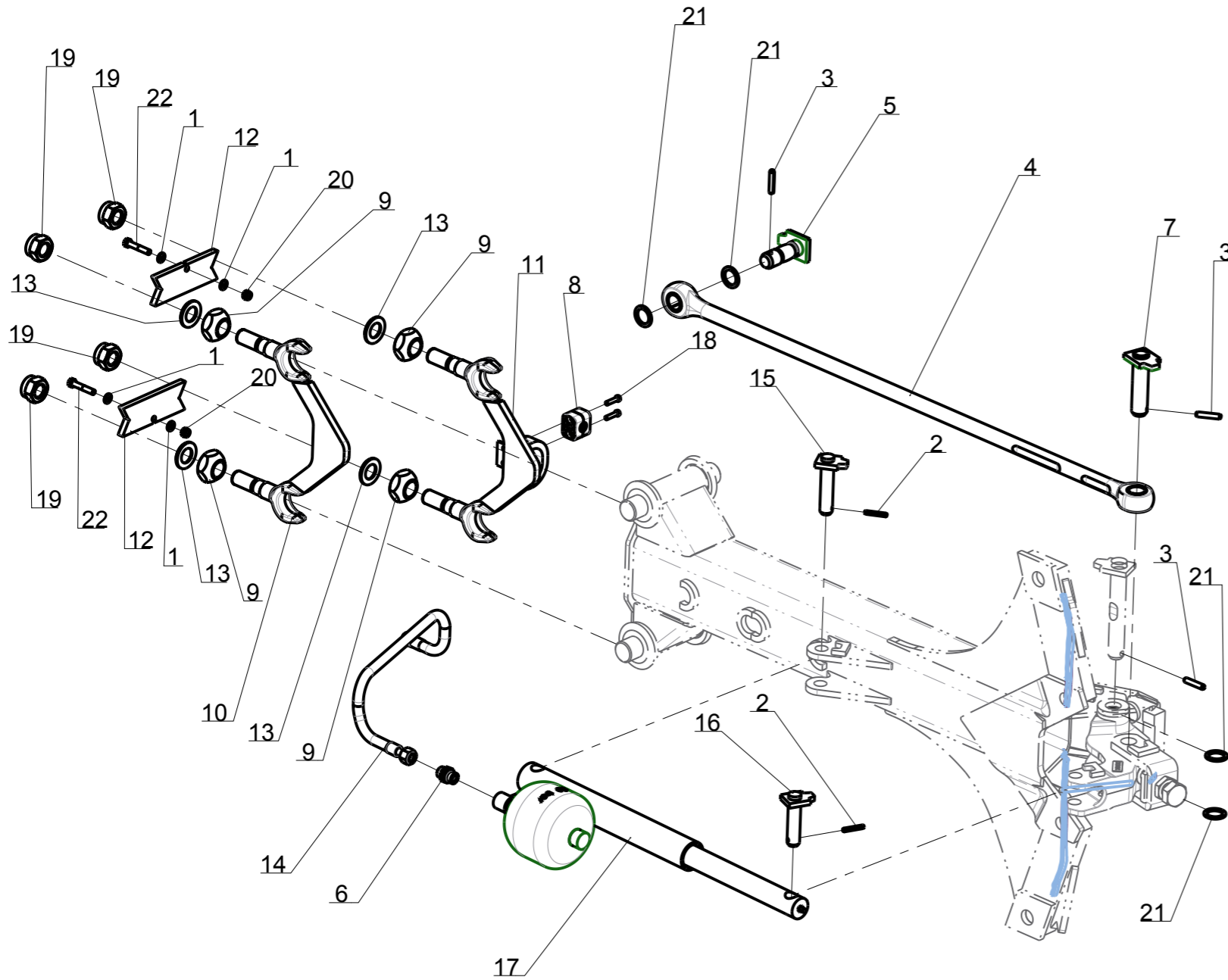
Set Console HA + DOK

Index	Quantite	Reference	Designation
1	2	5GB1 118 358	Screw H M24x240 - 10.9 ZNBL, thread /36 mm
2	1	5GB4805.01.01	Console
3	2	5GB985D24PA	Nut HFR M24 - 8 ZNBL
4	2	5GBVK 510	Flat washer MU24 ZNBL





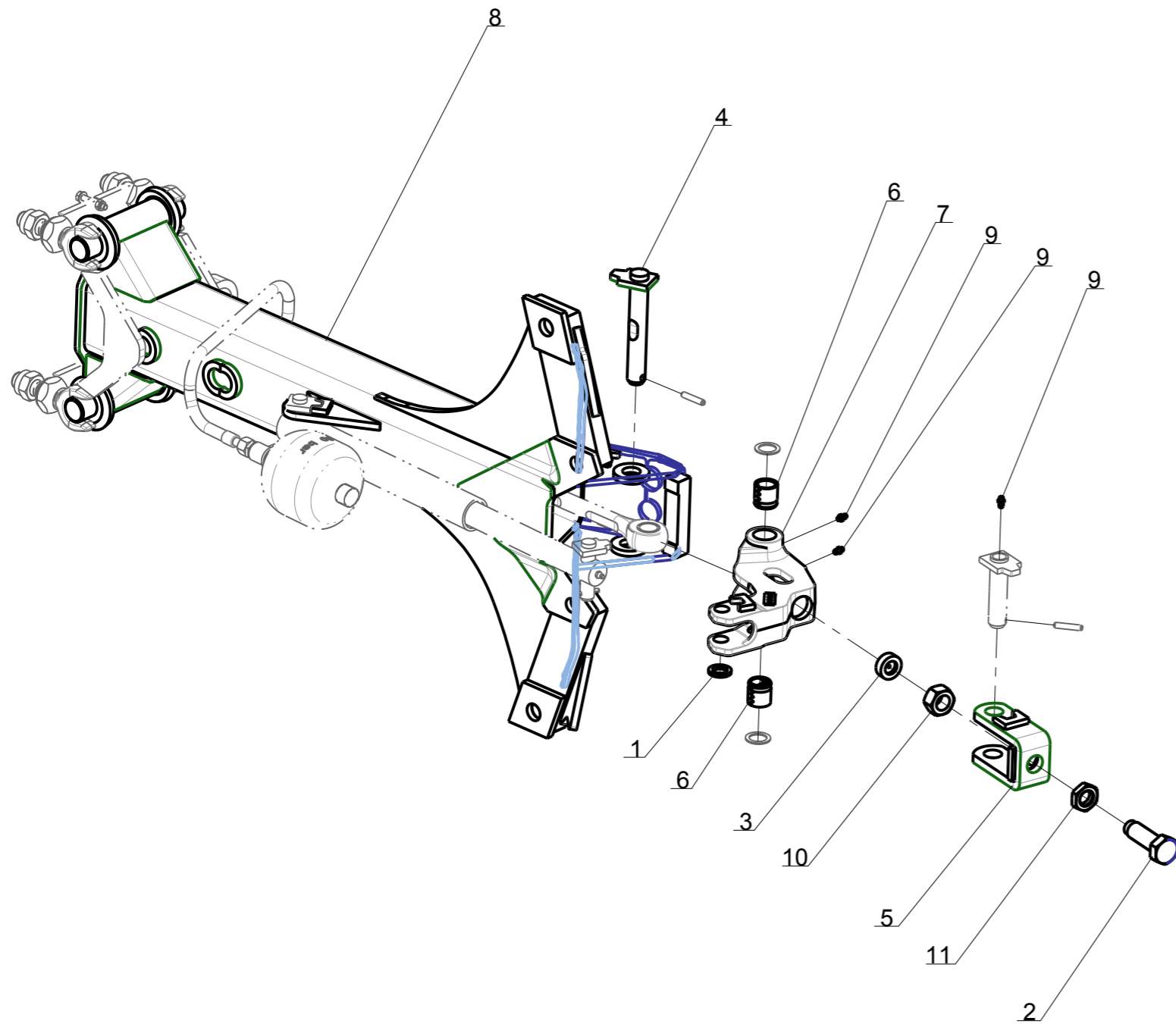
Sécurité hydraulique typ 120
Hydraulic auto - reset type 120



Repere	Quantite	Reference	Designation
1	4	5GB125DA8.4A	Washer A 8,4 ISO7089 Zinc.
2	2	5GB1481D636A	Spring Pin 6 X 36 ISO8752 Z
3	3	5GB1481D840A	Spring Pin 8 X 40 ISO8752 Z
4	1	5GB4724.15.00	Pull rod cpl.
5	1	5GB4724.75.00	Pull rod pin pront
6	1	5GB4726.38.03	Male stud coupling 12L M18x1.5
7	1	5GB4745.68.00	Pull rod pin rear D25-85
8	1	5GB4777.35.01	Pipe clamp 216PP
9	4	5GB4798.17.05	Adjusting nut M27x1.5
10	1	5GB4798.17.07	Legmounting
11	1	5GB4798.17.13	Legmounting for pipe clamp
12	2	5GB4798.18.04	Locking plate
13	4	5GB6916D25A	Washer 25 EN14399-6 Z
14	1	5GB7408.28.01	Hydraulic hose 2SN O8-1050
15	1	5GB8020.58.01	Pin D20-76
16	1	5GB8020.58.04	Pin D20-65
17	1	5GB8171.02.01	Cylinder+Valve 40/35/260/375
18	2	5GB84D625WA	Screw M6X25 ISO1207-4.8 Z
19	4	5GB985D2415PA	Nut HFR M24x1,5 ISO10511-8 Z
20	2	5GB985D8PA	Nut HFR M8 ISO10511-8 Z
21	4	5GB988DS2535	Supporting washer S 25x 35 DIN988
22	2	5GBVI 27 09	Screw H M8x 45 - 8.8 ZNBL



Sécurité hydraulique typ 120
Hydraulic auto - reset type 120



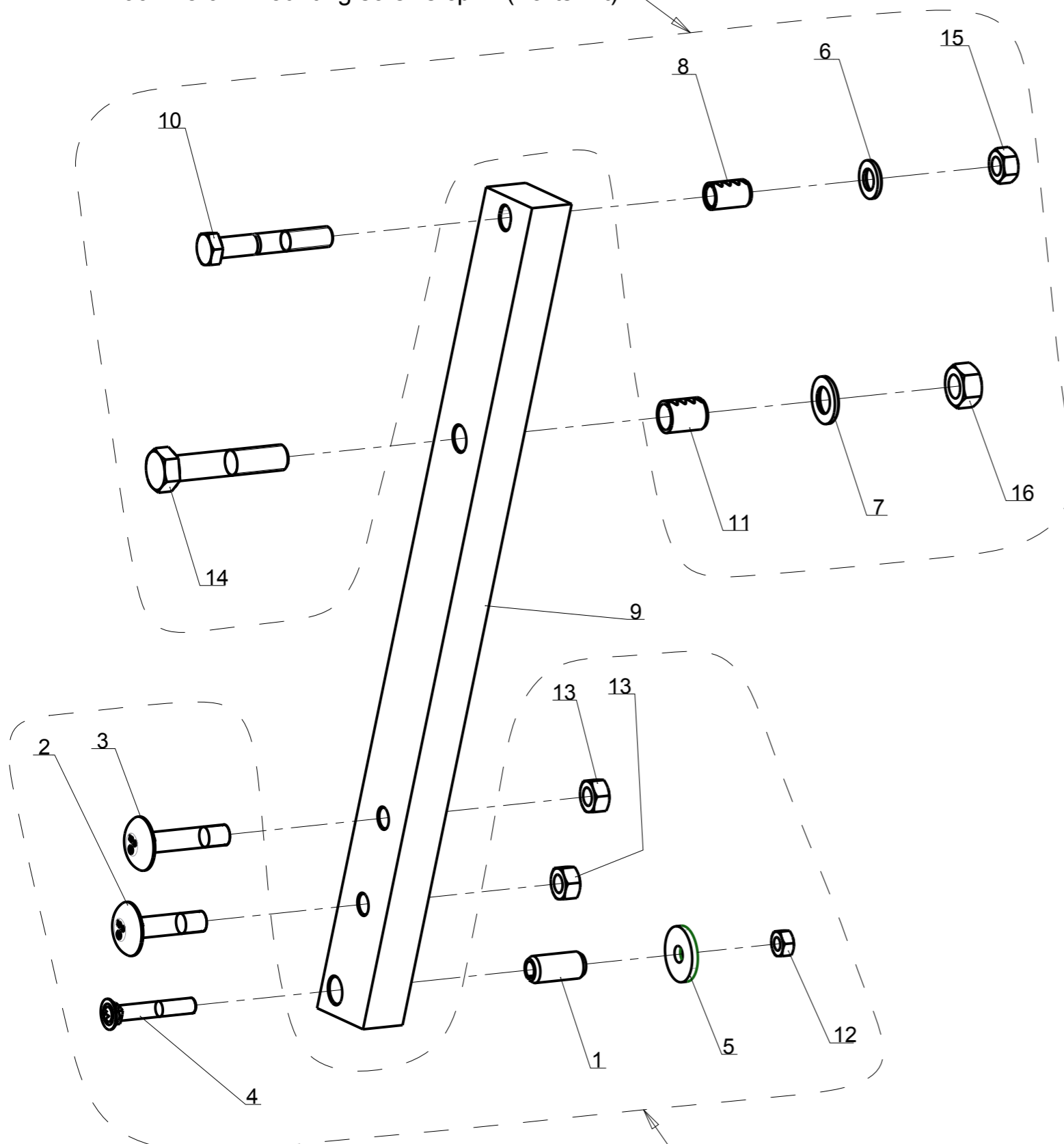
<i>Repere</i>	<i>Quantite</i>	<i>Reference</i>	<i>Designation</i>
1	1	5GB1441D21A	Washer 21 DIN1441 Z
2	1	5GB4724.01.04	Adjusting screw M 24x1.5x75_12.9 Geomet
3	1	5GB4724.38.02	Thrust washer
4	1	5GB4724.74.00	Pin D25-143
5	1	5GB4745.67.01	Chucking jaw
6	2	5GB4760.51.02	Steel bushing Ø 32 x 25 x 32
7	1	5GB4798.14.03	Lever
8	1	5GB4798.15.01	Interm.leg HA 120
9	3	5GB71412DA81	Grease Nipple H1-M 8x1 -180
10	1	5GB934D2415MA	Nut std H M24 - thread 150 Geomet
11	1	5GB936D2415PA	Nut Hm M24x1.5 8.8, ZNBL



Tendille 70x35 RH 800 cpl.

Leg 70x35 RH 800 cpl.

7001.25.01 Mounting screws cpl. - (Parts Kit)



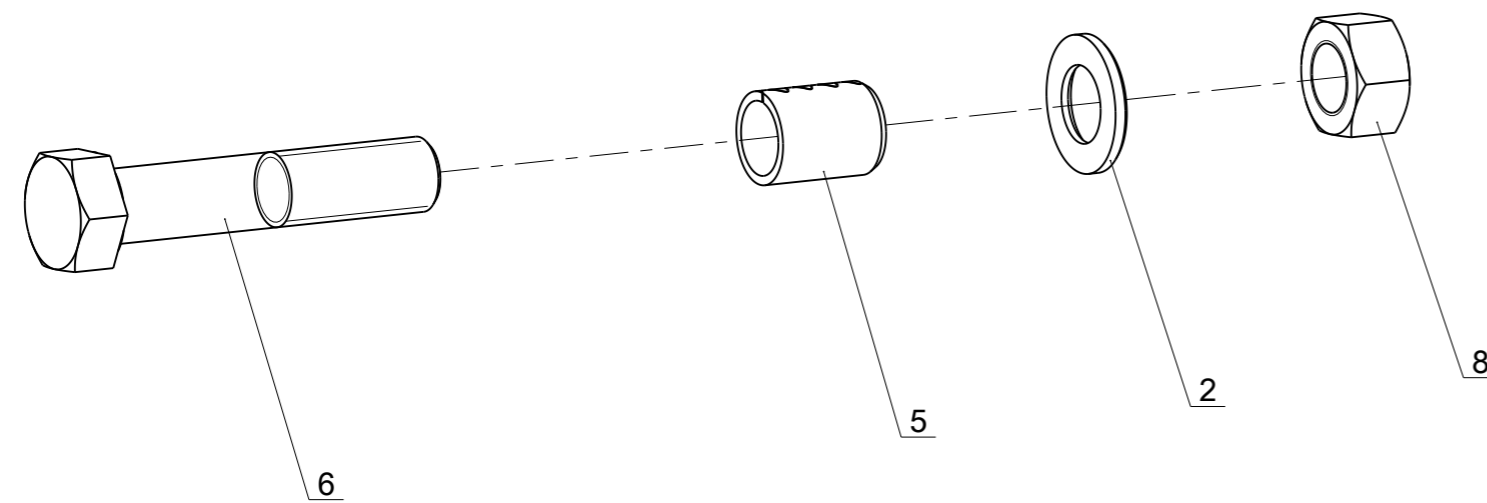
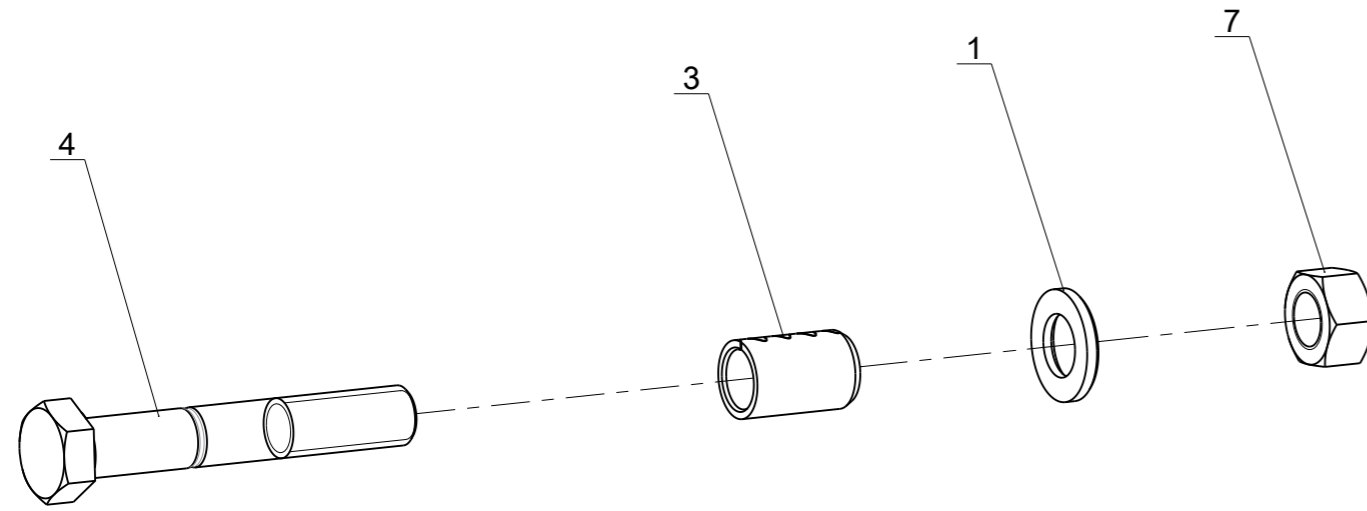
G2722/027 Screw Kit for the Leg (thickness 35) cpl.- (Parts Kit)

Index	Quantite	Reference	Designation
1	1	5GB1481D2145	Spring Pin 21 X 45 ISO8752
2	1	5GB2204.49.05	Bolt M 16x65-10.9
3	1	5GB2204.49.08	Bolt M 16x75-10.9
4	1	5GB2700.26.14	C sunk screw M 12 X 75-10.9 verz.
5	1	5GB6436.60.03	Washer C-13
6	1	5GB6916D17A	Washer 17 EN14399-6 Z
7	1	5GB6916D21A	Washer 21 Z
8	1	5GB7001.15.00	Steel bushing Ø 21 x 16 x 32
9	1	5GB7001.19.03	Leg 70x35 RH 800
10	1	5GB7001.24.00	Hex. Screw M16x1.5x100 with Notche
11	1	5GB7002.05.00	Steel bushing Ø 25 x 20 x 32
12	1	5GB934D12NA	Nut std H M12 - thread 175 Zingue
13	2	5GB934D16NA	Nut std H M16 - thread 200 Zingue
14	1	5GBVI 33 39	Screw H M20x100 - 12.9 Black, thread150
15	1	5GBVJ 638	Nut HU M16 - 10 ZNBL - thread 150
16	1	5GBVJ 639	Nut HU M20 - 10 ZNBL - thread 150



Vis de fixation pour tendille 70 x 35 (V)HA
Assembly screws for Leg 70 x 35 (V)HA

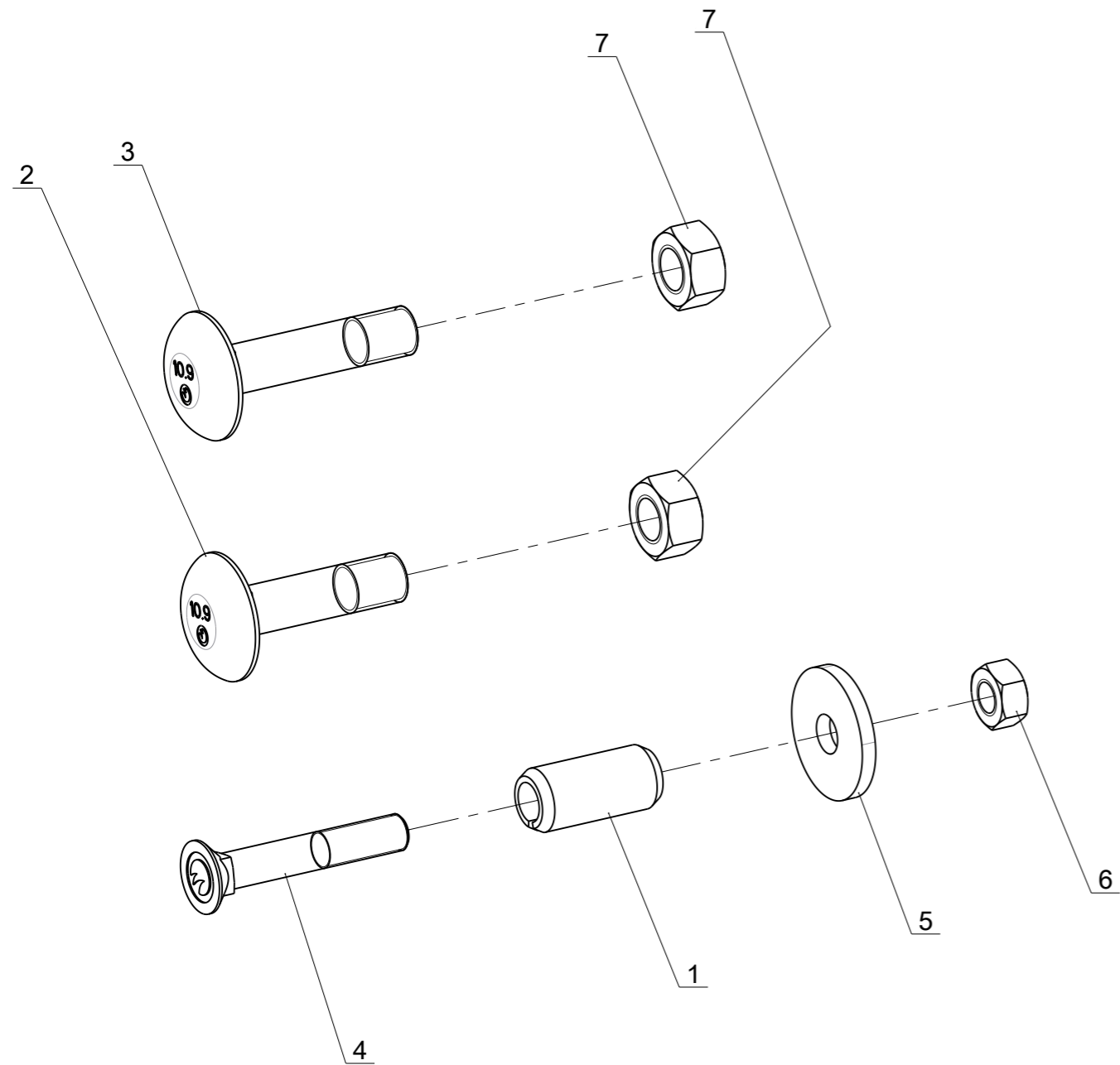
Index	Quantite	Reference	Designation
1	1	5GB6916D17A	Washer 17 EN14399-6 Z
2	1	5GB6916D21A	Washer 21 Z
3	1	5GB7001.15.00	Steel bushing Ø 21 x 16 x 32
4	1	5GB7001.24.00	Hex. Screw M16x1.5x100 with Notche
5	1	5GB7002.05.00	Steel bushing Ø 25 x 20 x 32
6	1	5GBVI 33 39	Screw H M20x100 - 12.9 Black, thread150
7	1	5GBVJ 638	Nut HU M16 - 10 ZNBL - thread 150
8	1	5GBVJ 639	Nut HU M20 - 10 ZNBL - thread 150





Kit de visserie pour tendille (épaisse 35)

Screw Kit for the Leg (thickness 35)

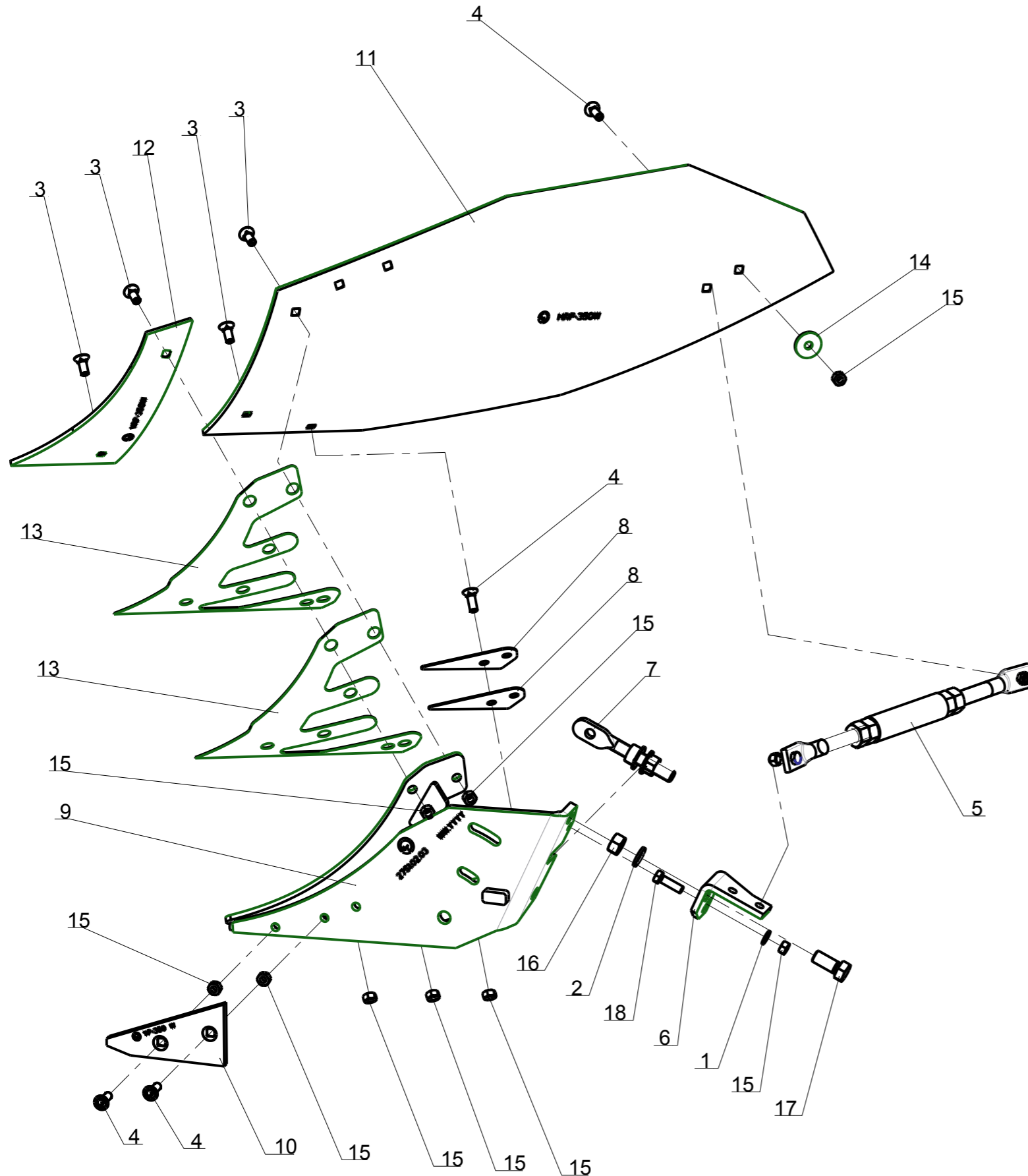


<i>Index</i>	<i>Quantite</i>	<i>Reference</i>	<i>Designation</i>
1	1	5GB1481D2145	Goupille elastique 21 X 45 ISO8752
2	1	5GB2204.49.05	Vis M 16x65-10.9
3	1	5GB2204.49.08	Vis M 16x75-10.9
4	1	5GB2700.26.14	Vis a tête fraisée M 12 X 75-10.9 verz.
5	1	5GB6436.60.03	Rondelle C-13
6	1	5GB934D12NA	Ecrou std H M12 - pas 175 Zingue
7	2	5GB934D16NA	Ecrou std H M16 - pas 200 Zingue



Corps de labour BP-350 WR

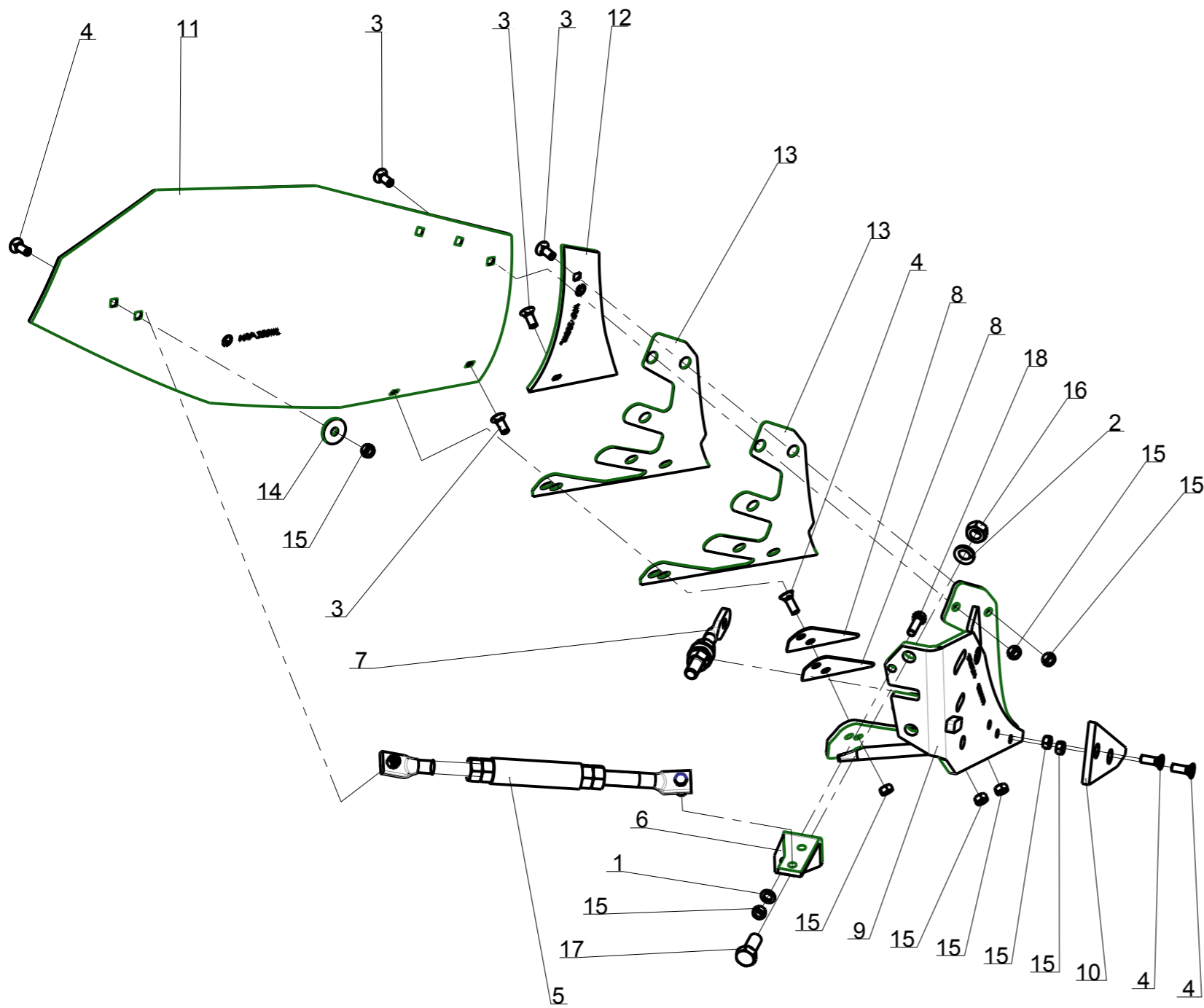
Body BP-350 WR



Index	Quantite	Reference	Designation
1	1	5GB126D14A	Washer 14 ISO7091 ZNBL
2	1	5GB127DB20A	Spring washer B 20 DIN127 Zinc
3	4	5GB2700.26.03	C sunk screw M 12 X 30-10.9 verz.
4	4	5GB2700.26.05	C sunk screw M 12 X 35-10.9 verz.
5	1	5GB2701.01.00	Turnbuckle M24 430-580 mounted
6	1	5GB2720.06.05	Angle 90°, R.H.
7	1	5GB2720.09.02	Adjusting screw M20 / boring \varnothing 16 cpl.
8	2	5GB2751.00.01	Sheet metal wedge
9	1	5GB2751.01.01	Frog plough BP-351 W
10	1	5GB2751.02.05	Point YP - 350 W
11	1	5GB2751.04.01	Shin HRP-350W
12	1	5GB2751.05.01	shin VRP-350 W, R.H.
13	2	5GB2751.20.00	Shim BP350
14	1	5GB6436.60.03	Washer C-13
15	9	5GB934D12NA	Nut std H M12 - thread 175 Zingue
16	1	5GB934D20PA	Nut std H M20 - thread 250 Zingue
17	1	5GBVI 28 26	Screw H M20x 45 - 8.8 ZNBL
18	1	5GBVI 28 29	Screw H M12x 40 - 10.9 ZNBL

Corps de labour BP-350 WL

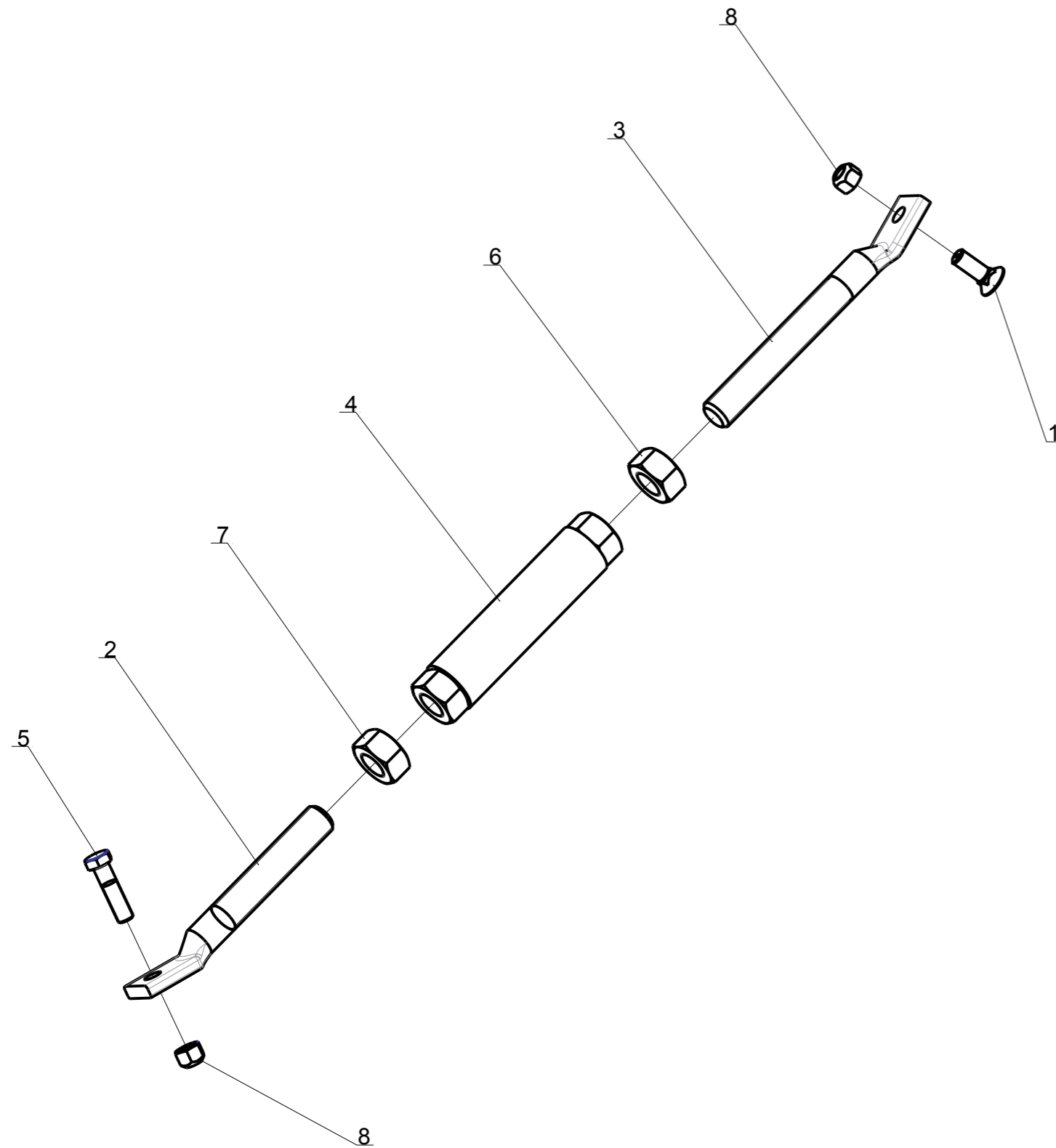
Body BP-350 WL



Index	Quantite	Reference	Designation
1	1	5GB126D14A	Washer 14 ISO7091 ZNBL
2	1	5GB127DB20A	Spring washer B 20 DIN127 Zinc
3	4	5GB2700.26.03	C sunk screw M 12 X 30-10.9 verz.
4	4	5GB2700.26.05	C sunk screw M 12 X 35-10.9 verz.
5	1	5GB2701.01.00	Turnbuckle M24 430-580 mounted
6	1	5GB2720.06.06	Angle 90°, L.H.
7	1	5GB2720.09.02	Adjusting screw M20 / boring \varnothing 16 cpl.
8	2	5GB2751.00.01	Sheet metal wedge
9	1	5GB2751.01.02	Frog plough BP-351 WL
10	1	5GB2751.02.05	Point YP - 350 W
11	1	5GB2751.04.02	Shin HRP-350W
12	1	5GB2751.05.02	shin VRP-350 W, L.H
13	2	5GB2751.20.00	Shim BP350
14	1	5GB6436.60.03	Washer C-13
15	9	5GB934D12NA	Nut std H M12 - thread 175 Zingue
16	1	5GB934D20PA	Nut std H M20 - thread 250 Zingue
17	1	5GBVI 28 26	Screw H M20x 45 - 8.8 ZNBL
18	1	5GBVI 28 29	Screw H M12x 40 - 10.9 ZNBL

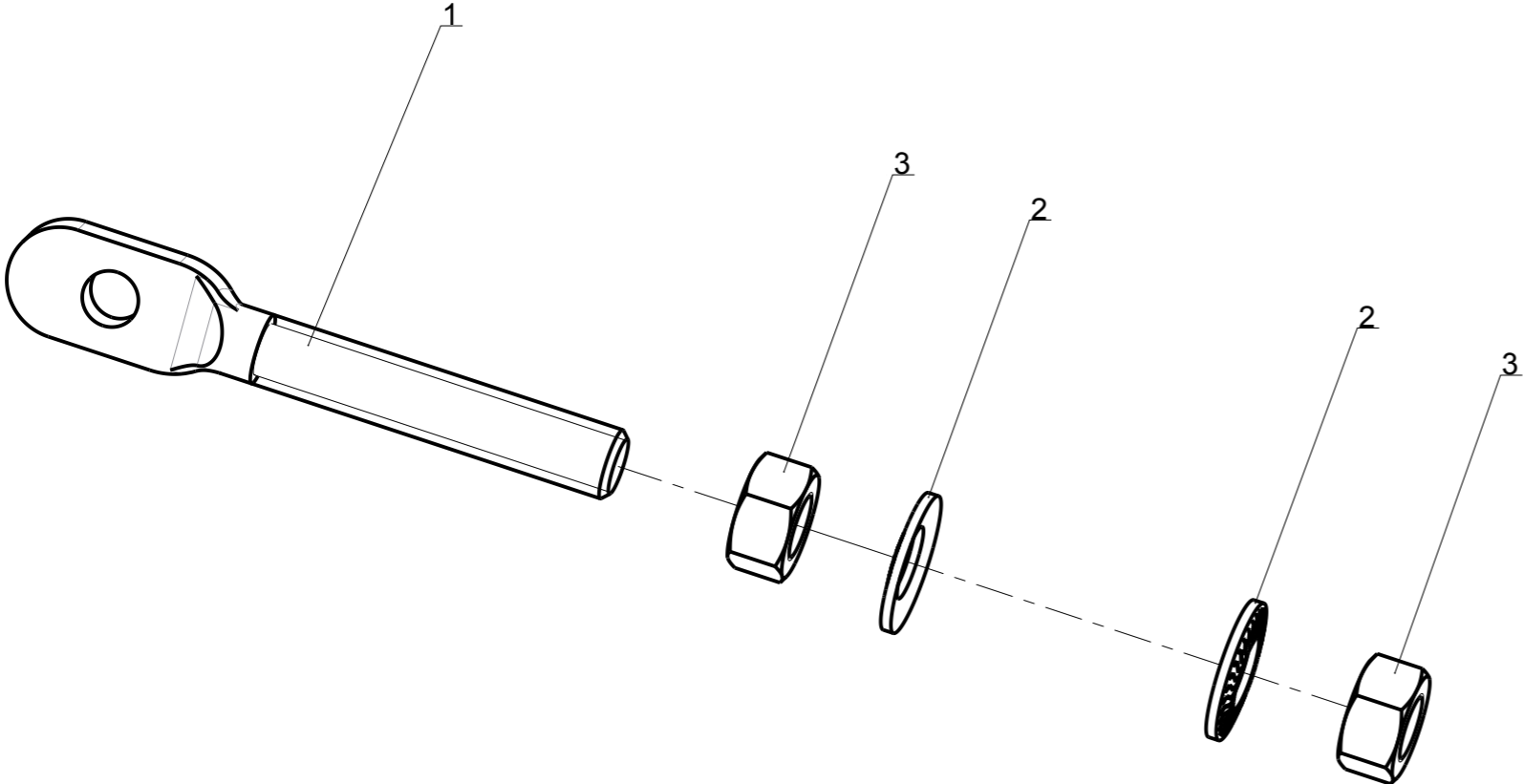
Tirant M24 monté, 430-580
Turnbuckle M24 430-580 mounted

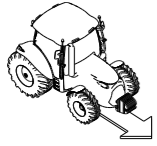
<i>Index</i>	<i>Quantite</i>	<i>Reference</i>	<i>Designation</i>
1	1	5GB2700.26.05	C sunk screw M 12 X 35-10.9 verz.
2	1	5GB2701.01.01	Pulling adjustment M24, L. H
3	1	5GB2701.02.01	Pulling adjustment M24, R.H.
4	1	5GB2701.03.00	central stretcher
5	1	5GB931D1245NA	Hex. Screw M12 x 45 Zinc 10.9
6	1	5GB934D24PA	Nut std H M24 - thread 300 Zingue
7	1	5GB934D24PLA	Nut std H M24 - thread left 300 Zingue
8	2	5GB980DV12NA	Nut M12 Zinc 10.9



Vis de réglage M20 / forage \varnothing 16 cpl.
Adjusting screw M20 / boring \varnothing 16 cpl.

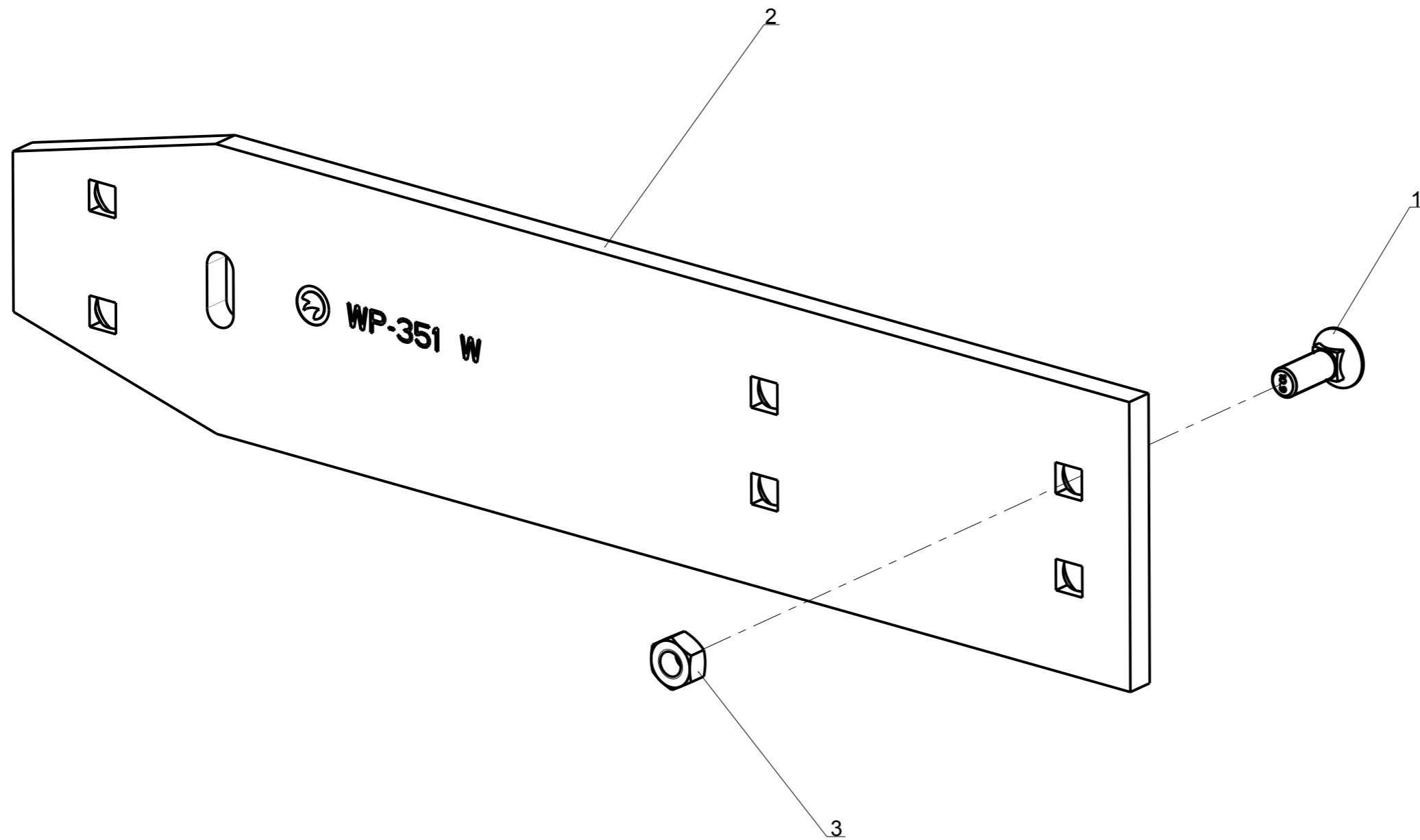
<i>Index</i>	<i>Quantite</i>	<i>Reference</i>	<i>Designation</i>
1	1	5GB2720.07.01	Adjusting screw M20 \varnothing 16
2	2	5GB2720.11.01	Washer 20
3	2	5GB934D20NA	Nut std H M20 - thread 250 Zingue





Contre-Sep long WP-351 W
Long landside WP-351 W

<i>Index</i>	<i>Quantite</i>	<i>Reference</i>	<i>Designation</i>
1	1	5GB2700.26.05	C sunk screw M 12 X 35-10.9 verz.
2	1	5GB2751.03.05	Long landside WP-351 W
3	1	5GB934D12NA	Nut std H M12 - thread 175 Zingue

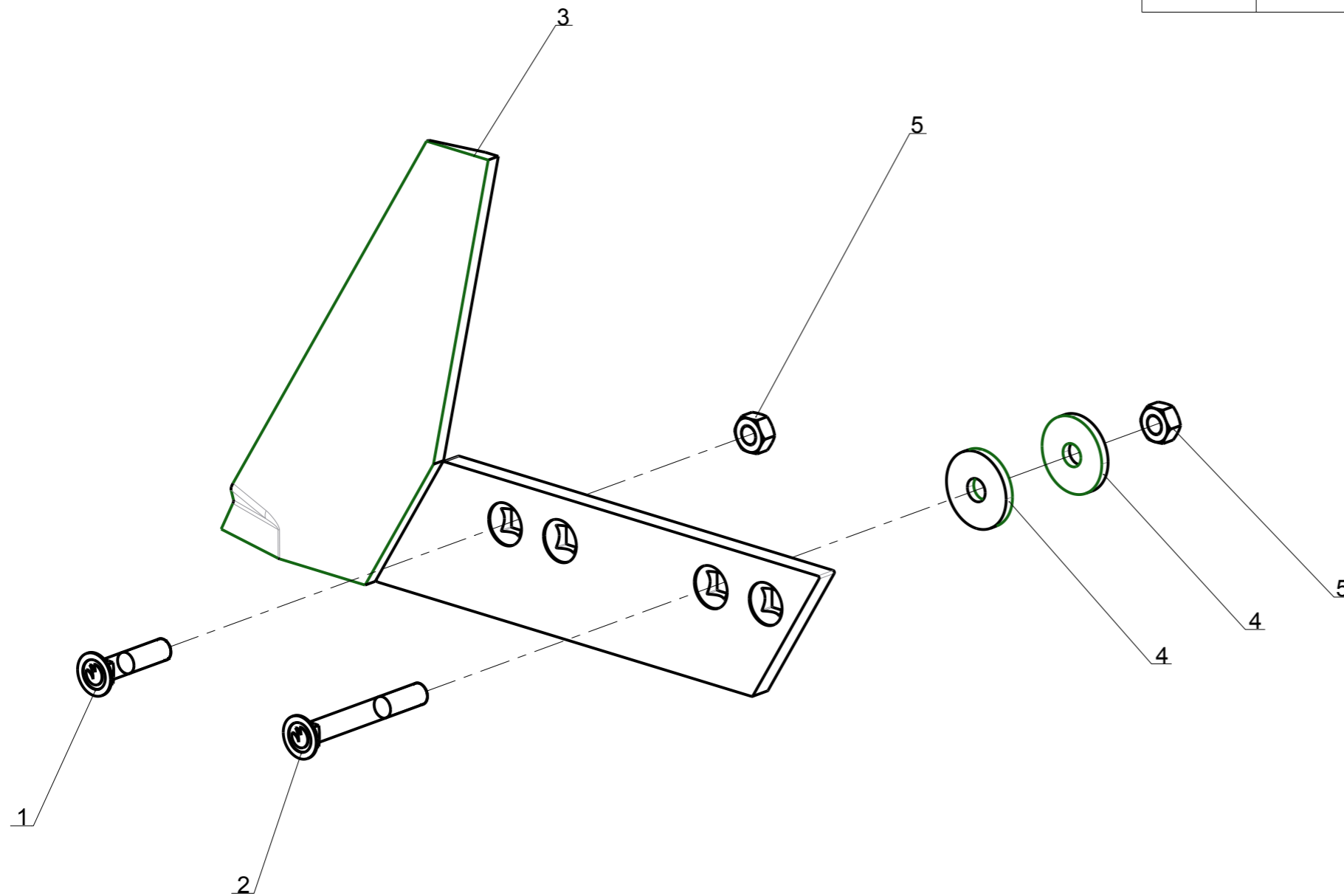




NG-35 Dr. Coutre de contresep cpl.

NG-35 R Wing coulter cpl.

<i>Index</i>	<i>Quantite</i>	<i>Reference</i>	<i>Designation</i>
1	1	5GB2700.26.10	C sunk screw M 12 X 55-10.9 verz.
2	1	5GB2700.26.16	C sunk screw M 12 X 95-10.9 verz.
3	1	5GB2751.10.01	Wing coulter NG-35
4	2	5GB6436.60.03	Washer C-13
5	2	5GB934D12NA	Nut std H M12 - thread 175 Zingue

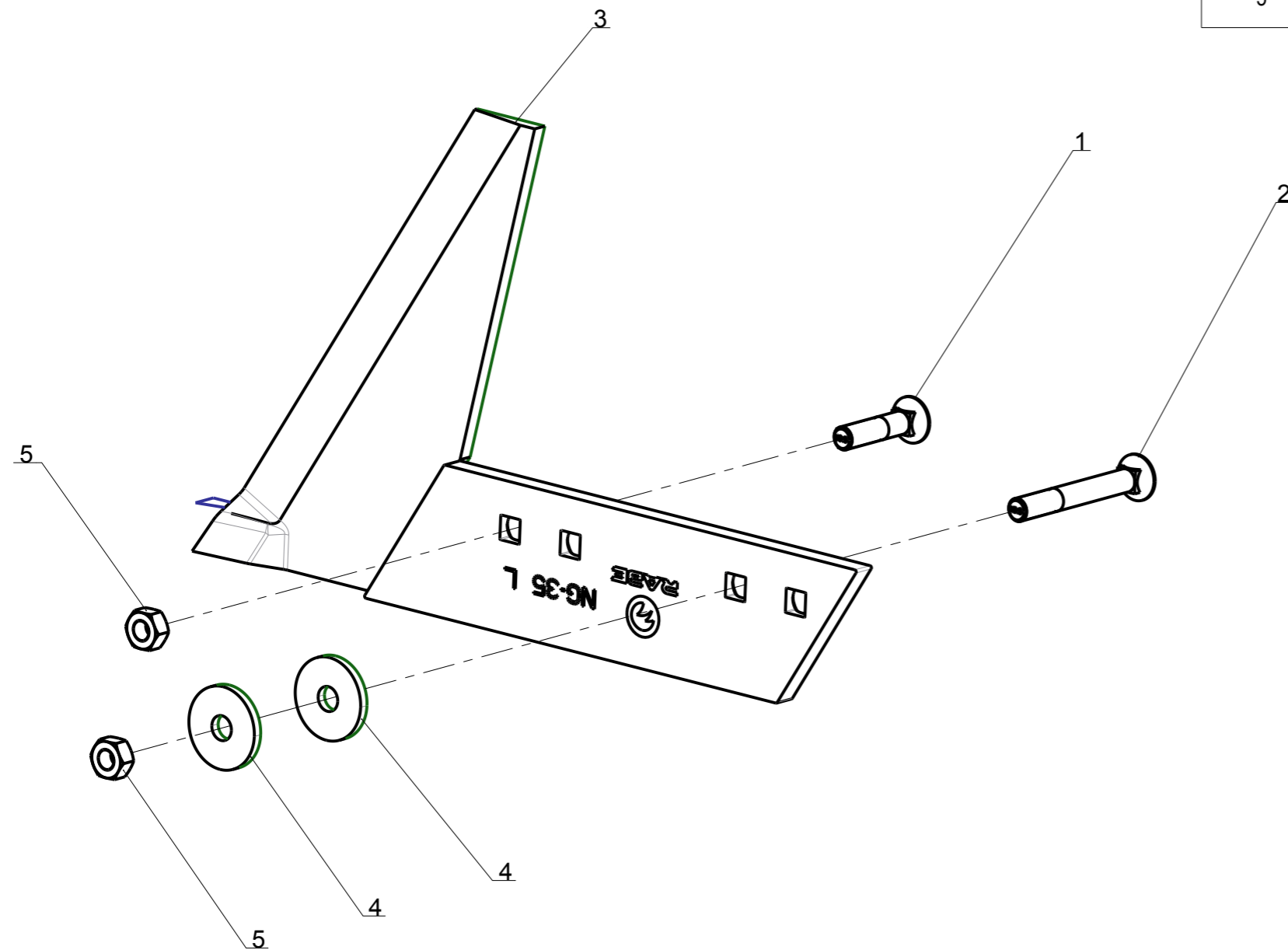




NG-35 Ga. Coutre de contresep cpl.

NG-35 L Wing coulter cpl.

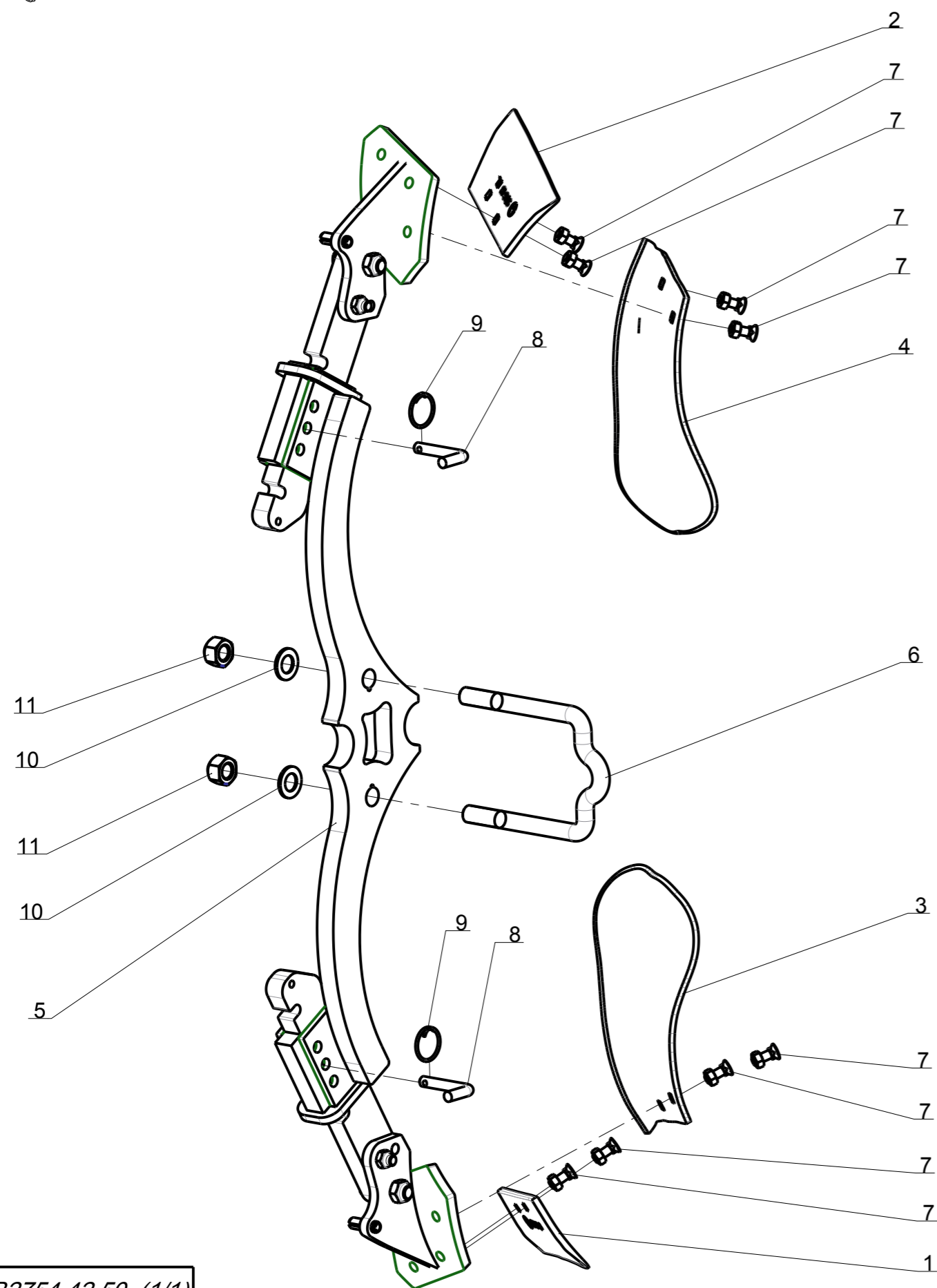
<i>Index</i>	<i>Quantite</i>	<i>Reference</i>	<i>Designation</i>
1	1	5GB2700.26.10	C sunk screw M 12 X 55-10.9 verz.
2	1	5GB2700.26.16	C sunk screw M 12 X 95-10.9 verz.
3	1	5GB2751.10.02	Wing coulter NG-35 L
4	2	5GB6436.60.03	Washer C-13
5	2	5GB934D12NA	Nut std H M12 - thread 175 Zingue





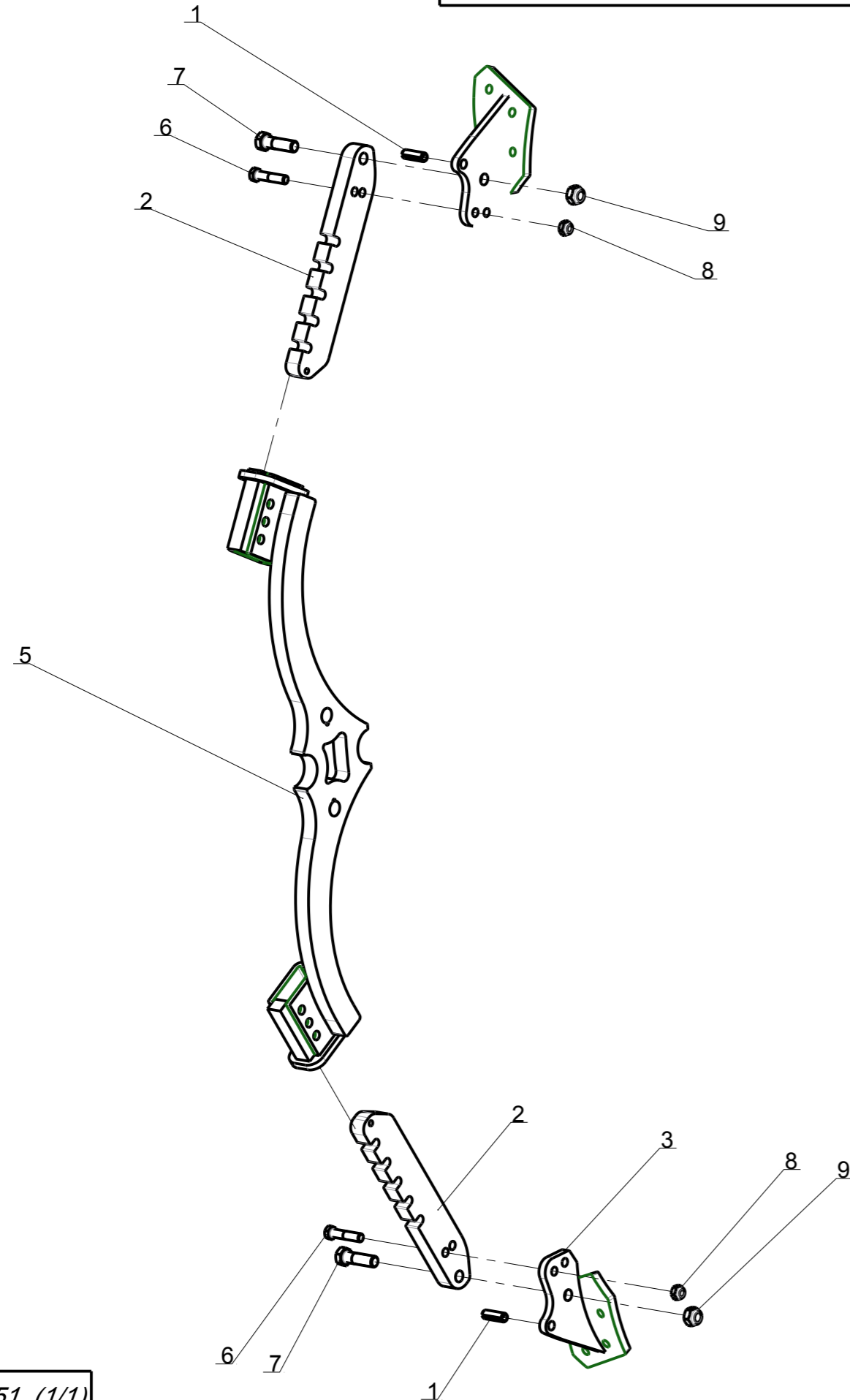
Rasette VHD 212 B montée

Skimmer VHD 212 B cpl.



<i>Repere</i>	<i>Quantite</i>	<i>Reference</i>	<i>Designation</i>
1	1	5GB2715.05.01	Skimmer share R.H.
2	1	5GB2715.05.02	Skimmer share L.H.
3	1	5GB2715.07.01	Skimmer shin R.H.
4	1	5GB2715.07.02	Skimmer shin L.H.
5	1	5GB2754.42.51	Support skimmers Vari Heavy Duty HA
6	1	5GB4777.30.04	Cross section
7	8	5GB608D1030PA	Bolt 608-8.8 Z M10x30+MU
8	2	5GB6241.29.02	Pin TB-12x50
9	2	5GB6608.12.07	Circlip
10	2	5GB6916D21A	Washer 21 Z
11	2	5GB980DV20NA	Nut M20 Zinc 10.9

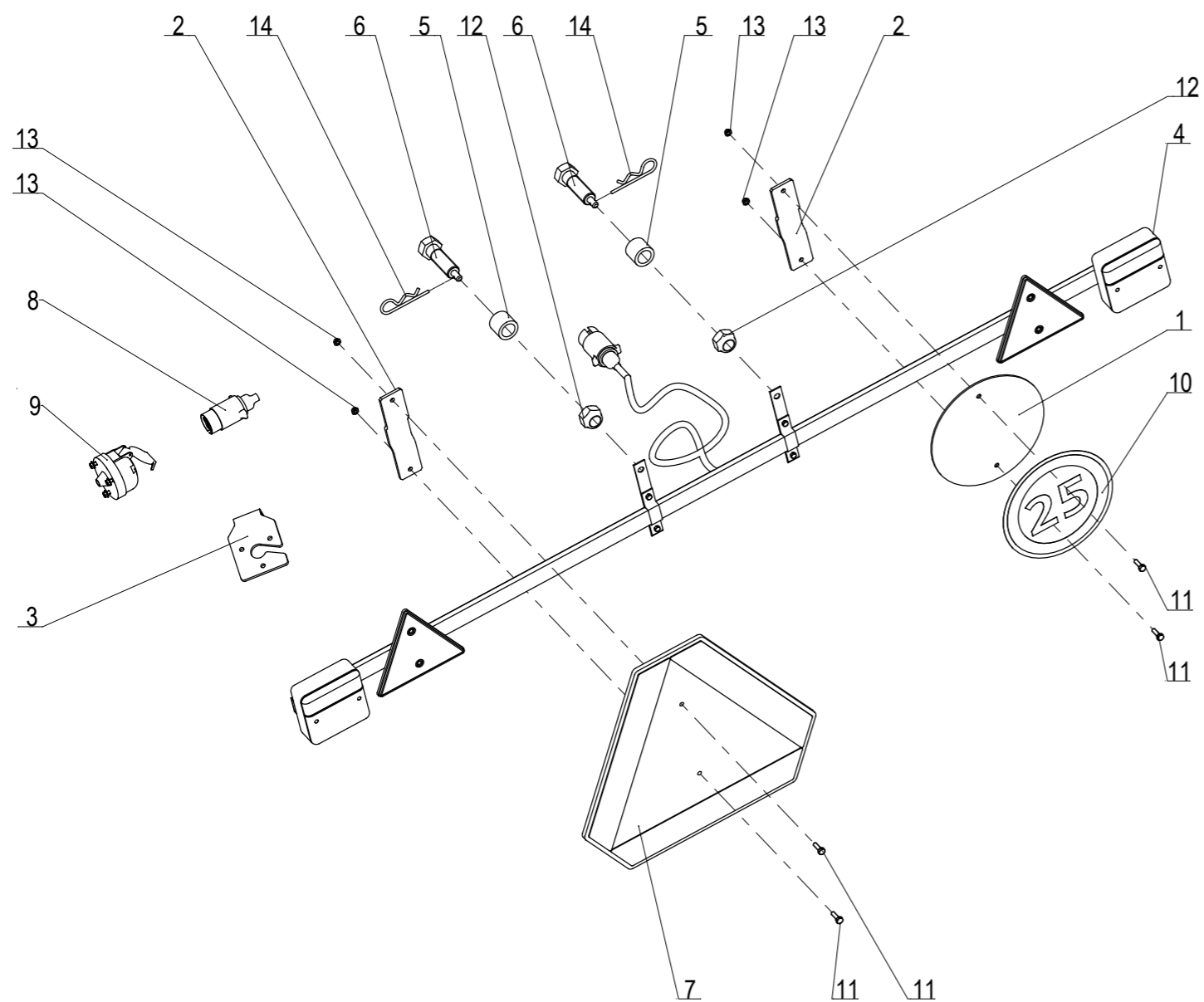
Support rasette HD HA
Support skimmers Vari Heavy Duty HA



<i>Index</i>	<i>Quantite</i>	<i>Reference</i>	<i>Designation</i>
1	2	5GB1481D1340A	Spring Pin 13 X 40 ISO8752 Z
2	2	5GB2754.42.39	Skimmer leg 350 mm
3	1	5GB2754.42.44	Skimmer bracket, R.H.
4	1	5GB2754.42.45	Skimmer bracket, R.H.
5	1	5GB2754.42.52	Support skimmer HA
6	2	5GB931D1255NA	Hex. Screw M12 x 55 Zinc 10.9
7	2	5GB931D1655NA	Hex. Screw M16 x 55 Zinc 10.9
8	2	5GBVJ 322	Nyloc nut std H M 12 - 8 ZNBL
9	2	5GBVJ 324	Nyloc nut std H M 16 - 8 ZNBL



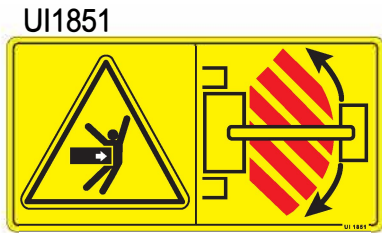
Rear lighting kit M22



Index	Qty	Reference	Designation
1	1	5GB1 214 186	Support Adhesive 25km/h
2	2	5GB1 214 192	Flange
3	1	5GB1 214 198	7 pin plug holder
4	1	5GB1 214 199	Rear trailer board
5	2	5GB1 215 150	Sleeve extension Front double
6	2	5GB1 291 156	Special screw for lighting board H M22x90
7	1	5GB6103.16.65	triangle signaling
8	1	5GB850 100 385	Male electrical outlet
9	1	5GB850 101 785	Electrical outlet, 7 pin, female
10	1	5GB9998.25.04	Adhesive 25km/h Russia
11	4	5GBVI 26 03	Screw H M6x 20 - 8.8 ZNBL
12	2	5GBVJ 329	Nyloc nut std H M 22- 8 ZNBL
13	4	5GBVJ 340	Nyloc nut std H M 6 - 8 ZNBL
14	2	5GBVL 002	R Clip - 4, Z

Stickers for ploughs 3910L

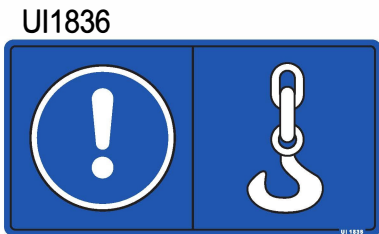
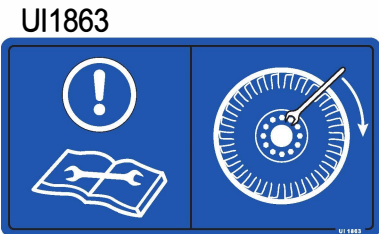
Safety stickers



UI303



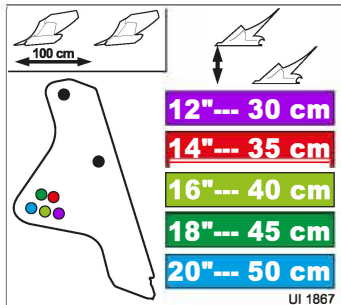
Informations stickers



Stickers for ploughs 3910L

Stickers

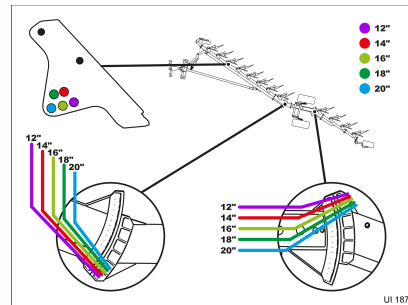
UI1867



48059230



UI1872



3910 "Flex Frame" models (Left side)

1890 x 80 mm



Stickers <10 furrows: 48059220

3910 "Flex Frame" models (Right side)

1890 x 80 mm

Stickers <10 furrows: 48059222



4813.91.01 (2/2)

Revision A
MaJ:13-April-18

