

SPARE PARTSCATALOGUE

SEMI-MOUNTED REVERSIBLE PLOUGH
SINGLE-WHEELED

"7' , %\$@"

N°MACHNE :

Update 2015, bom plough 3810L

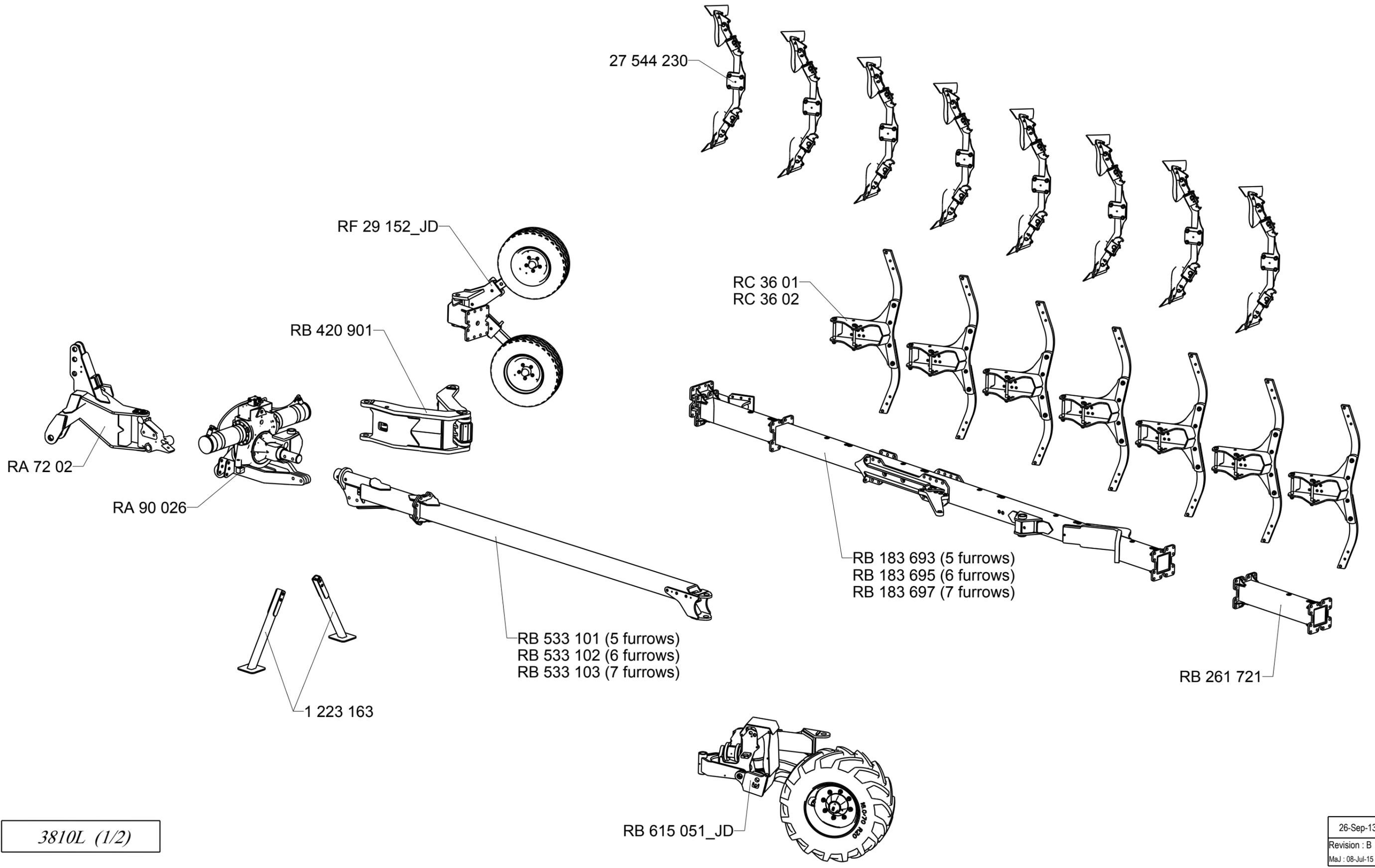
Drawing Reference	New Version	Comments
RA 72 02	B	<p style="color: red;">Parts added between version A and B: Index 13, Reference 122249, Quantity 1 Index 14, Reference 122273, Quantity 1 Index 15, Reference 122292, Quantity 1 Index 19, Reference 122373, Quantity 1 Index 21, Reference VI2905, more 1 part Index 24, Reference VJ322, more 1 part Index 26, Reference VL002, Quantity 1 Index 28, Reference VL414, Quantity 2</p> <p style="color: blue;">Parts replaced between version A and B: index 4, reference 122360 (qty2) and 122361 (qty 1) by reference 1235106, quantity 1</p>
RF 900 015	A	New reference replace RF900002
RF 900 016	A	New reference
RA 90 026	E	<p style="color: blue;">Replace the reference RA 90 025</p> <p>Parts suppressed between version A and B: Reference 1212149, quantity 1 Reference 1223115, quantity 1 Reference 122221, quantity 1 Reference VI4832, Quantity 2 Reference VJ339, quantity 2 Reference 122249, Quantity 1 Reference 122273, Quantity 1 Reference 122292, Quantity 1 Reference 122373, Quantity 1 Reference VI2905, Quantity 1 Reference VJ322, Quantity 1 Reference VL002, Quantity 1 Reference VL414, Quantity 2</p> <p style="color: blue;">Parts replaced between version A and B: index 9, ram reference 1223116 by reference 1223236, quantity 2 (page 2/3) index 20, screw reference VI4824 by reference 802503000, quantity 20 (page 3/3)</p> <p style="color: red;">Parts added between version A and B: : index 36, reference VM207, quantity 2 (page 3/3) index 33, reference VK522, quantity 6 (page 3/3)</p>
RB 421 001	A	New drawing, Hydraulic return
1214230	B	Replace 1212149 + 1223115 + 122221

Ram-Piston	B	replace reference 1223116 by 1223236
RB 420 901	B	Parts replaced between version A and B: index 7, ram reference 1223408 by reference 1223437, quantity 1
1223437	A	New drawing, ram detail
1291305	A	New drawing, hub detail
RB 533 101	B	Parts suppressed between version A and B: Reference 1112424, quantity 1 Reference 1212166, quantity 1 Parts added between version A and B: index 10, reference 122358, quantity 1
RB 183 693	B	Parts suppressed between version A and B: Reference UI141, quantity 1
RB 533 102	B	Parts suppressed between version A and B: Reference 1112424, quantity 1 Reference 1212166, quantity 1 Parts added between version A and B: index 10, reference 122358, quantity 1
RB 183 695	B	Parts suppressed between version A and B: Reference UI141, quantity 1
RB 533 103	B	Parts suppressed between version A and B: Reference 1112424, quantity 1 Reference 1212166, quantity 1 Parts added between version A and B: index 10, reference 122358, quantity 1
RB 183 697	B	Parts suppressed between version A and B: Reference UI141, quantity 1
RB 615 051	B	Parts replaced between version A and B: index 3, washer reference 1292311 by reference 1116261, quantity 2 (page 1/3) Parts added between version A and B: index 13, reference 1234112, quantity 2 (page 1/3)
1292306	A	New drawing, hub detail
1292371	A	New drawing, ram detail
1292342	C	Parts added between version A and C: index , reference 1292169, quantity 1 Parts modified between version A and B: index 7, new length hose hydraulic 1292343, 800mm => 950mm
48050184	A	New reference, Reinforcement kit leg 70x35

RC 36 02	A	New reference, Shearbolt protection with leg 80x35
27544230	A	New reference, skimmer assembly, replace 27543111
27544231	A	New reference, support skimmert assembly
G7210-250	A	New disc, replace 72090102 by 72140001, quantity 2
RE 90 523	A	New assembly with disc 72140001
RF 90 56	A	New reference for rear lighting kit, replace RF9054
Hydraulic diagram	B	Update

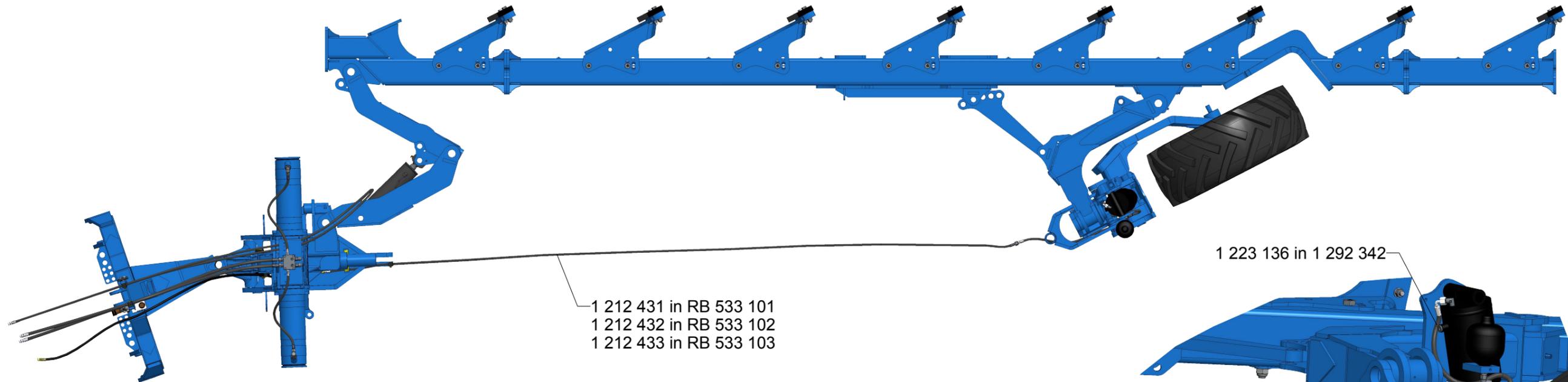


Charrue 3810L
Plough 3810L

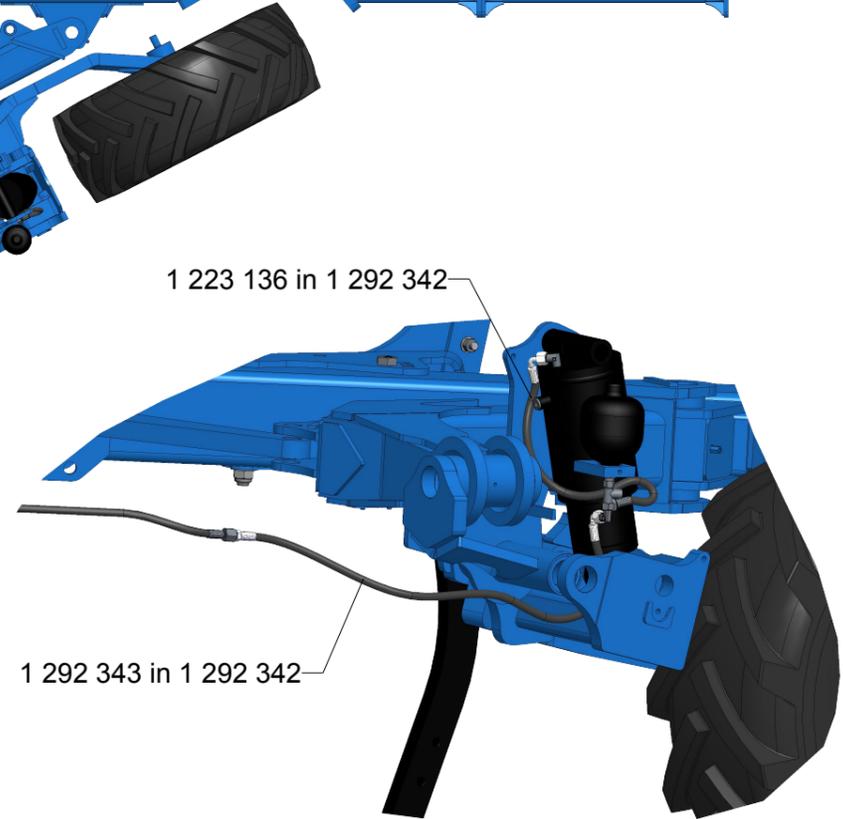




Charrue 3810L
Plough 3810L

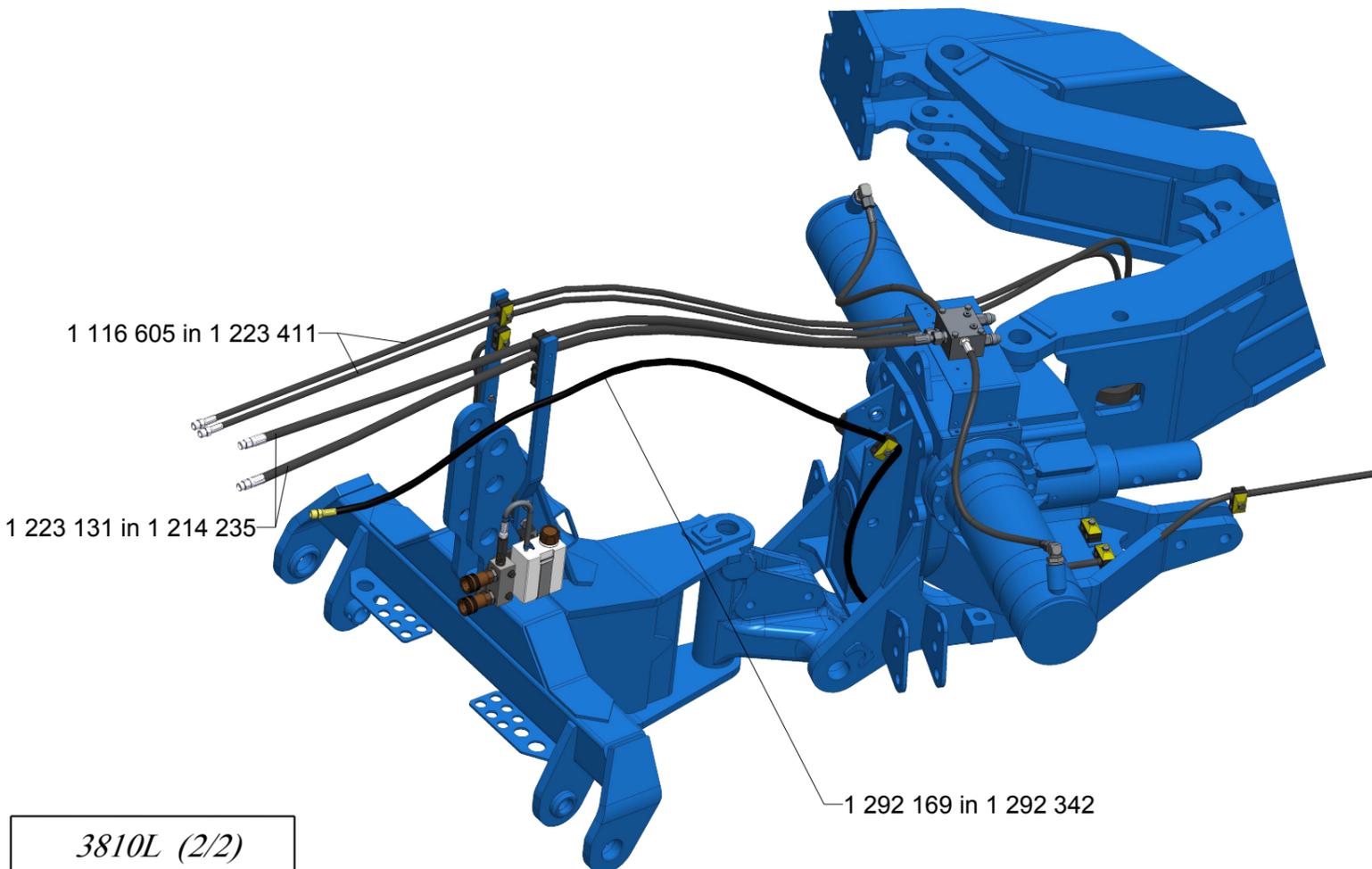


1 212 431 in RB 533 101
1 212 432 in RB 533 102
1 212 433 in RB 533 103



1 223 136 in 1 292 342

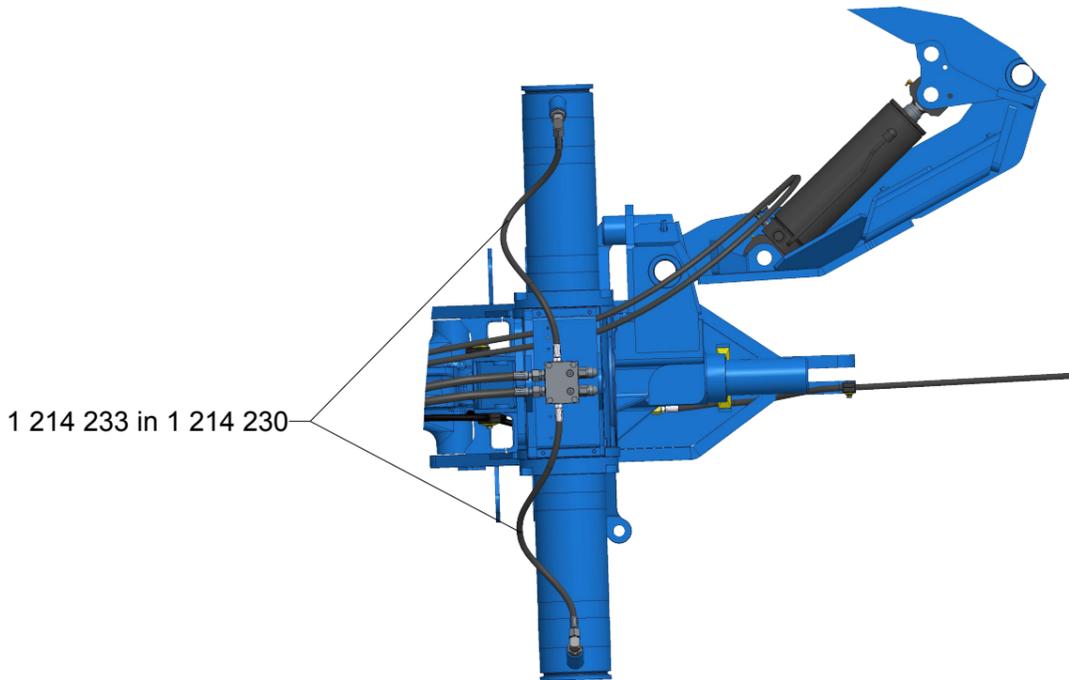
1 292 343 in 1 292 342



1 116 605 in 1 223 411

1 223 131 in 1 214 235

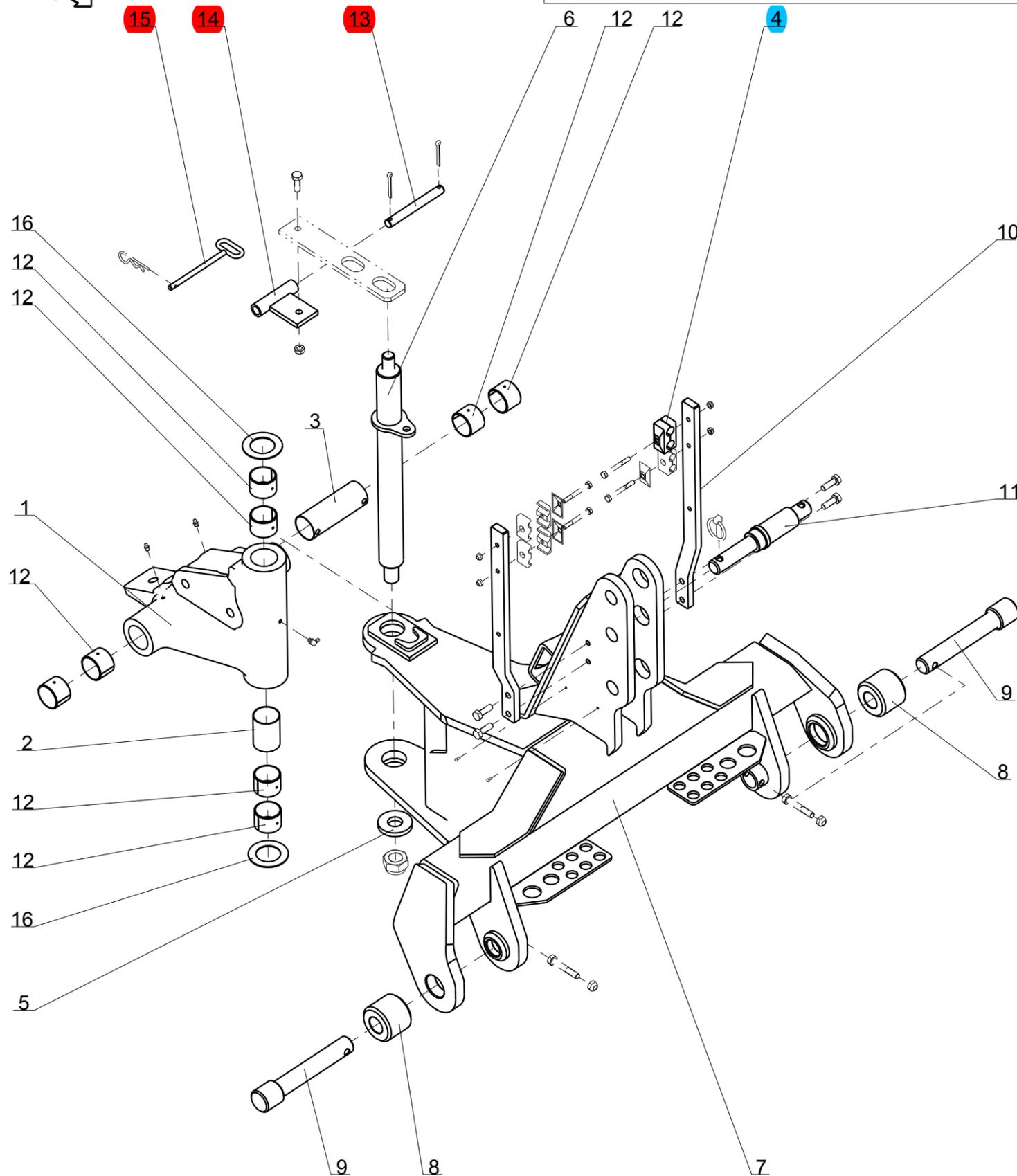
1 292 169 in 1 292 342



1 214 233 in 1 214 230

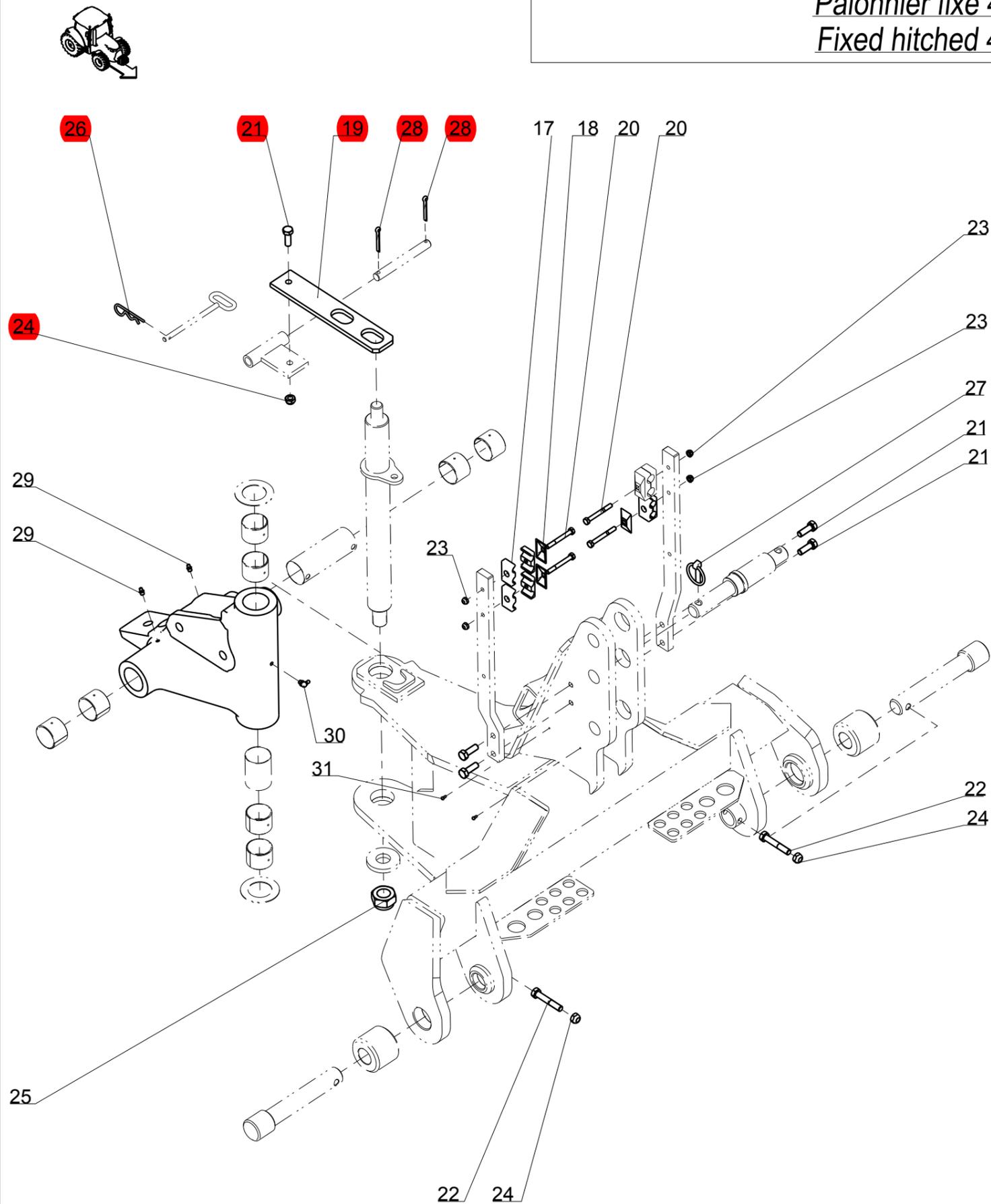


Palonnier fixe 4N-D3 Std
Fixed hitched 4N D3 Std



Repere	Quantite	Reference	Designation
1	1	1 223 210 U	Cardan 110° moule Cast iron cardan joint 110°
2	1	1 223 221	Douille de graissage verticale sur cardan moule Grease casing for cardan joint (front)
3	1	1 223 222	Douille de graissage horizontale sur cardan moule Grease casing for cardan joint (rear)
4	1	1 235 106	Collier double 2x20 complet Double hose fixation 2x20 cpl.
5	1	122 106	Rondelle plate speciale - 30.5x70x10 Special washer - 30.5x70x10
6	1	122 128	Axe vertical cardan 110°- Dia 50, lg. : 605 mm, pas 2.00 Vertical pin SP 110°- Dia 50, lg. : 605 mm, thread 2.00
7	1	122 191	Palonnier Fixe 3N / 4N Hitch point SP fixed L2-L3 110°
8	2	122 193	Douille d'attelage Palonnier 3N/4N
9	2	122 194	Broche d'att inf D3 / Palonnier fixe 3N/4N
10	2	122 195	Support tuyaux / palonnier Hose support / Headstock
11	1	122 197	Broche d'attelage de 3eme point Cat. III / IV 3 point hitch top link pin Cat III / IV
12	8	122 246	Bague bronze - Dia50x55, lg. : 40 mm Bronze bushing - Dia50x55, lg. : 40 mm
13	1	122 249	Axe Du18, Lu:140 Bracket parking latch pin - Dia 18, lg. : 155 mm
14	1	122 273	Bride de blocage Ar. Rear parking latch bracket
15	1	122 292	Broche de bride - Dia 10, lg. : 158 mm Pin parking latch - Dia 10, lg. : 158 mm
16	2	122 295	Rondelle plate speciale - 50.5x82x2 Special washer - 50.5x82x2

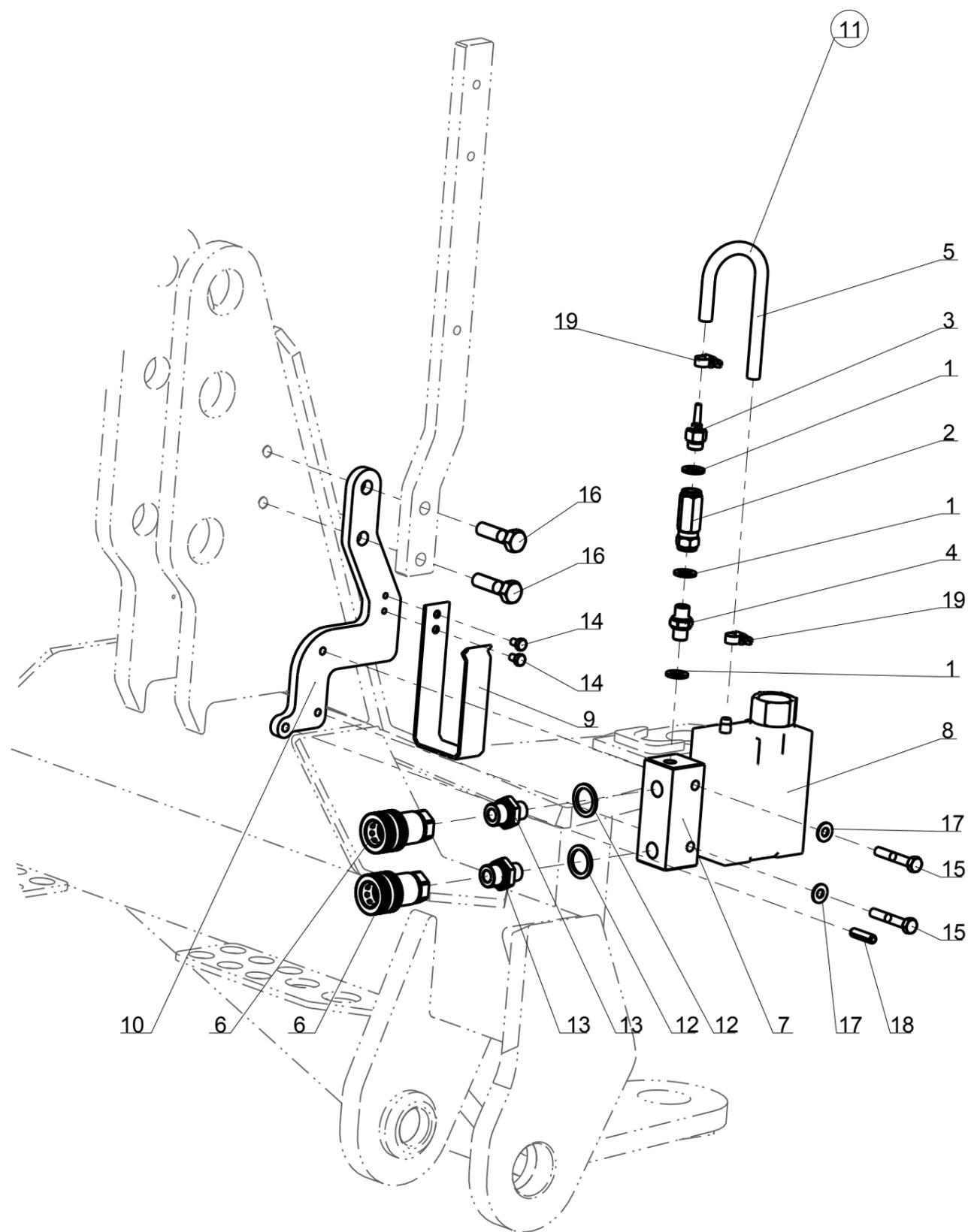
Palonnier fixe 4N-D3 Std
Fixed hitched 4N D3 Std



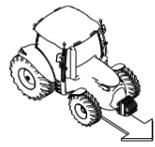
Repere	Quantite	Reference	Designation
17	6	122 360	Collier double 2x16 nu noir Double hose fixation 2x16
18	3	122 361	Plaque Sup. bombée, collier 2x16 28x49 Upper plate convex - hose fixation 2x16 28x49
19	1	122 373	Bride de blocage Av. - lg. : 315 mm Front parking latch bracket - lg. : 315 mm
20	4	VI 27 12	Vis H M8x 70 - 8.8 ZNBL Screw H M8x 70 - 8.8 ZNBL
21	5	VI 29 05	Vis H M12x 35 - 8.8 ZNBL Screw H M12x 35 - 8.8 ZNBL
22	2	VI 29 16	Vis H M12x 70 - 8.8 ZNBL Screw H M12x 70 - 8.8 ZNBL
23	4	VJ 320	Ecrou frein std H M 8 - 8 ZNBL Nyloc nut std H M 8 - 8 ZNBL
24	3	VJ 322	Ecrou frein std H M 12 - 8 ZNBL Nyloc nut std H M 12 - 8 ZNBL
25	1	VJ 335	Ecrou frein std H M 30 - 8 ZNBL - pas 200 Nyloc nut std H M 30 - 8 ZNBL - thread 200
26	1	VL 002	Goupille "Beta" - 4, Z R Clip - 4, Z
27	1	VL 103	Goupille "Clips" Dia10 Z Lynch pin "Clips" Dia10 Z
28	2	VL 414	Goupille fendue V 6.3x50 Split pin V 6.3x50
29	2	VM 201	Graisneur droit - M8, pas125 Grease nipple - M8, thread125
30	1	VM 203	Graisneur coude 90° M8x125 Grease nipple 90° M8x125
31	2	VM 410	Rivet tete ronde 4x9 Fluted round head nail4x9



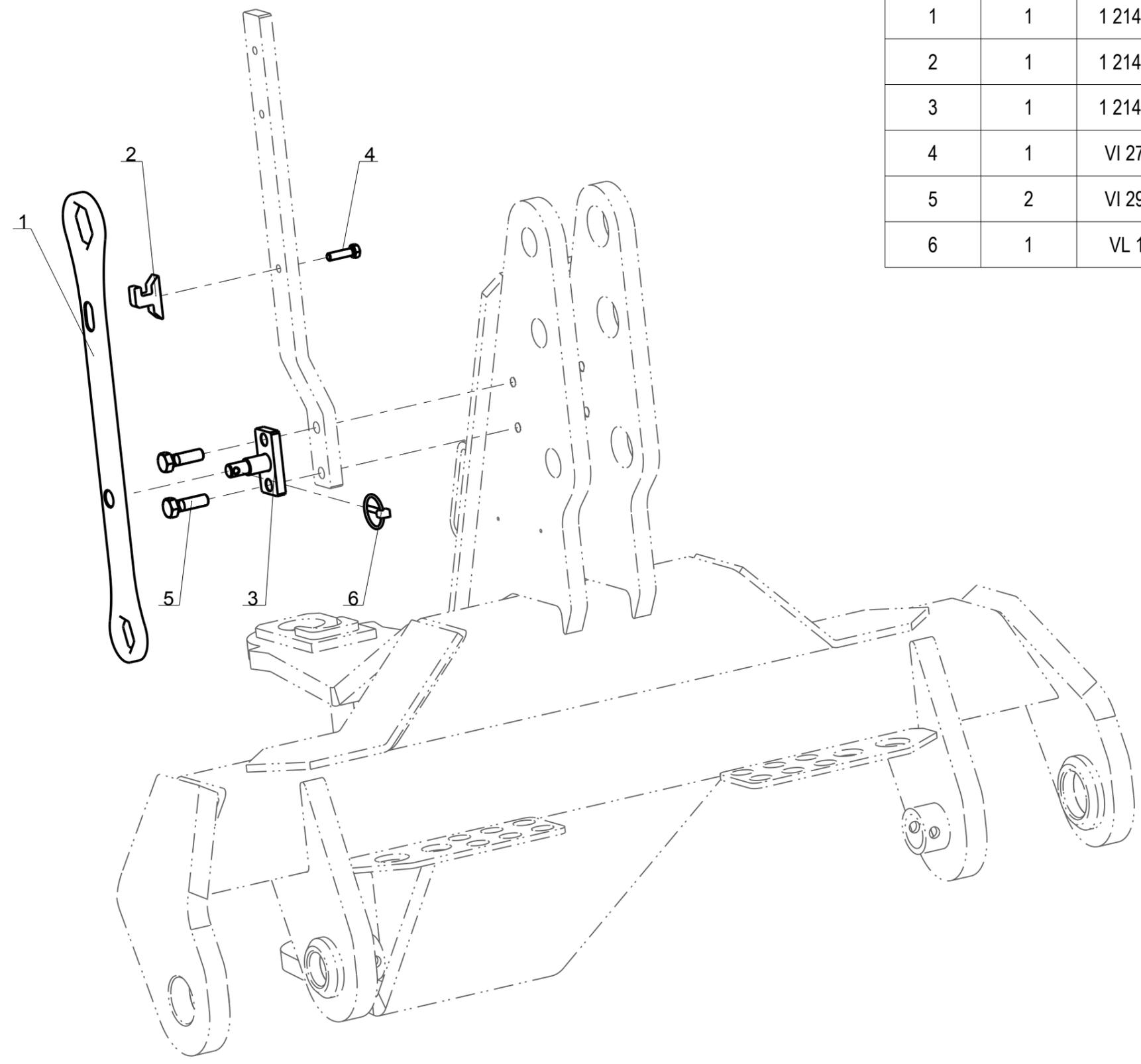
Kit decompression retournement



Index	Quantité	Référence	Designation
1	3	1 114 639	Bague BS13 - Dia13x21 ep : 2 Ring BS 13 - Dia13x21 thick : 2
2	1	1 115 321	Clapet anti-retour 1/4
3	1	1 116 553	Embout a sertir 6 male de 8 - Cable press piece 6 M 8 -
4	1	1 116 588	Unions nu male 1/4 - male 1/4
5	1	1 116 589	Tuyaux
6	2	1 122 394	Coupleur femelle a clapet 1/4 ISO-A
7	1	1 122 396	Bloc pour prise push-pull 1/2
8	1	1 122 397	Bidon reserve d'huile
9	1	1 122 398	Support de bidon de recyclage
10	1	1 122 399	Patte Support kit decompression
11	1	1 122 404	Kit decompression retournement complet
12	2	1 231 312	Bague BS23 - Dia23x31 ep : 2 Ring BS 23 - Dia23x31 thick : 2
13	2	1 231 535	Union nu male 3/8 - male 1/2
14	2	VI 26 01	Vis H M6x 10 - 8.8 ZNBL Screw H M6x 10 - 8.8 ZNBL
15	2	VI 27 10	Vis H M8x 50 - 8.8 ZNBL Screw H M8x 50 - 8.8 ZNBL
16	2	VI 29 08	Vis H M12x 45 - 8.8 ZNBL Screw H M12x 45 - 8.8 ZNBL
17	2	VK 502	Rondelle plate MU8 ZNBL Flat washer MU8 ZNBL
18	1	VL 221	Goupille elastique epaisse - 8x30 mm Thick roll pin - 8x30 mm
19	2	VM 501	Collier Serflex 8mm Dia10 à D16 Collar Serflex 8mm Dia10 to D16



Kit Clé 36-46
Kit key 36/46

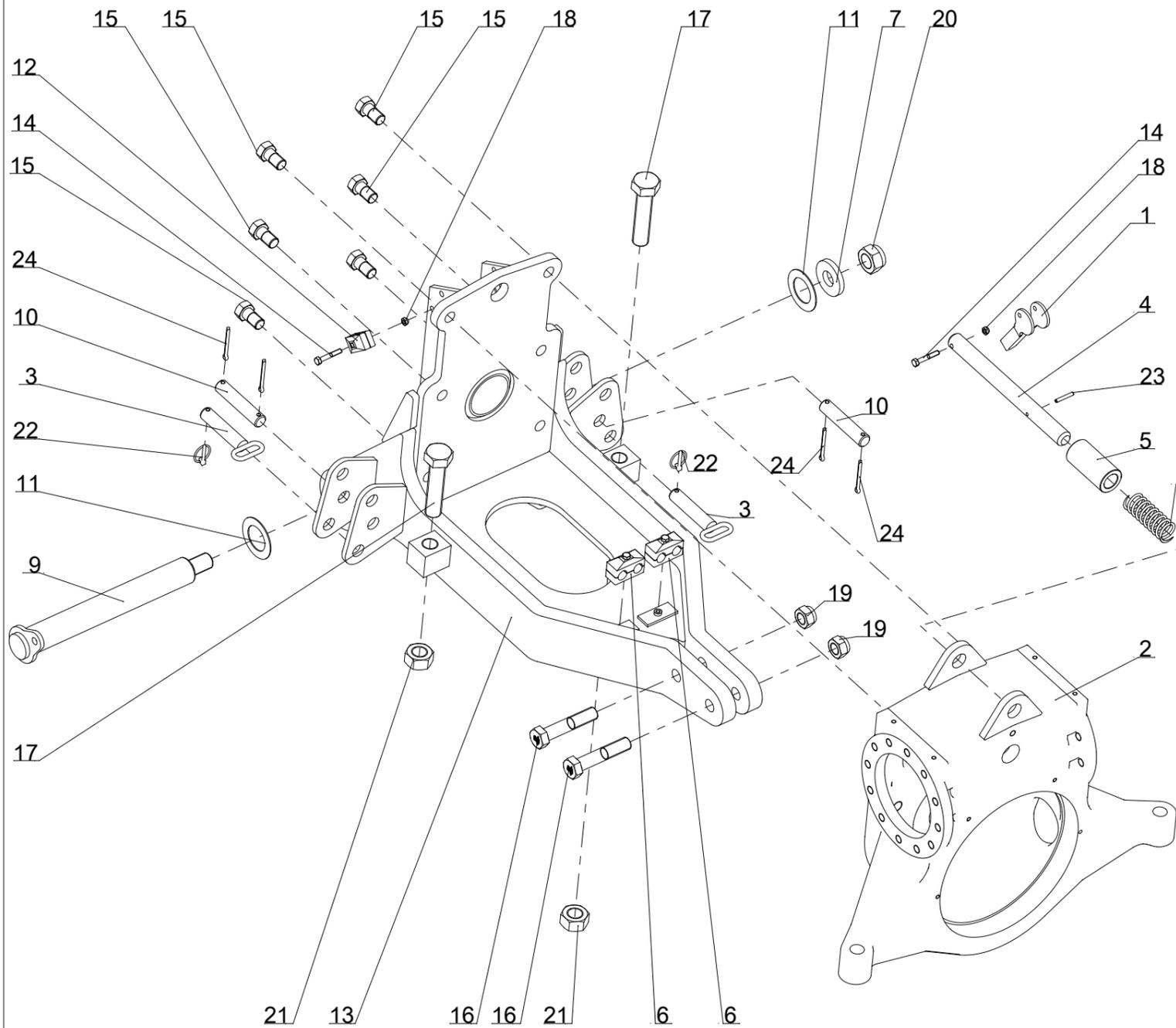


Index	Quantité	Référence	Designation
1	1	1 214 194	Clé 36/46 Key 36/46
2	1	1 214 195	Support de clé Key support
3	1	1 214 196	Support de clé Key support
4	1	VI 27 06	Vis H M8x 30 - 8.8 ZNBL Screw H M8x 30 - 8.8 ZNBL
5	2	VI 29 07	Vis H M12x 40 - 10.9 ZNBL Screw H M12x 40 - 10.9 ZNBL
6	1	VL 101	Goupille "Clips" Dia6 Z Lynch pin "Clips" Dia6 Z



Retournement semi-portée mono-roue

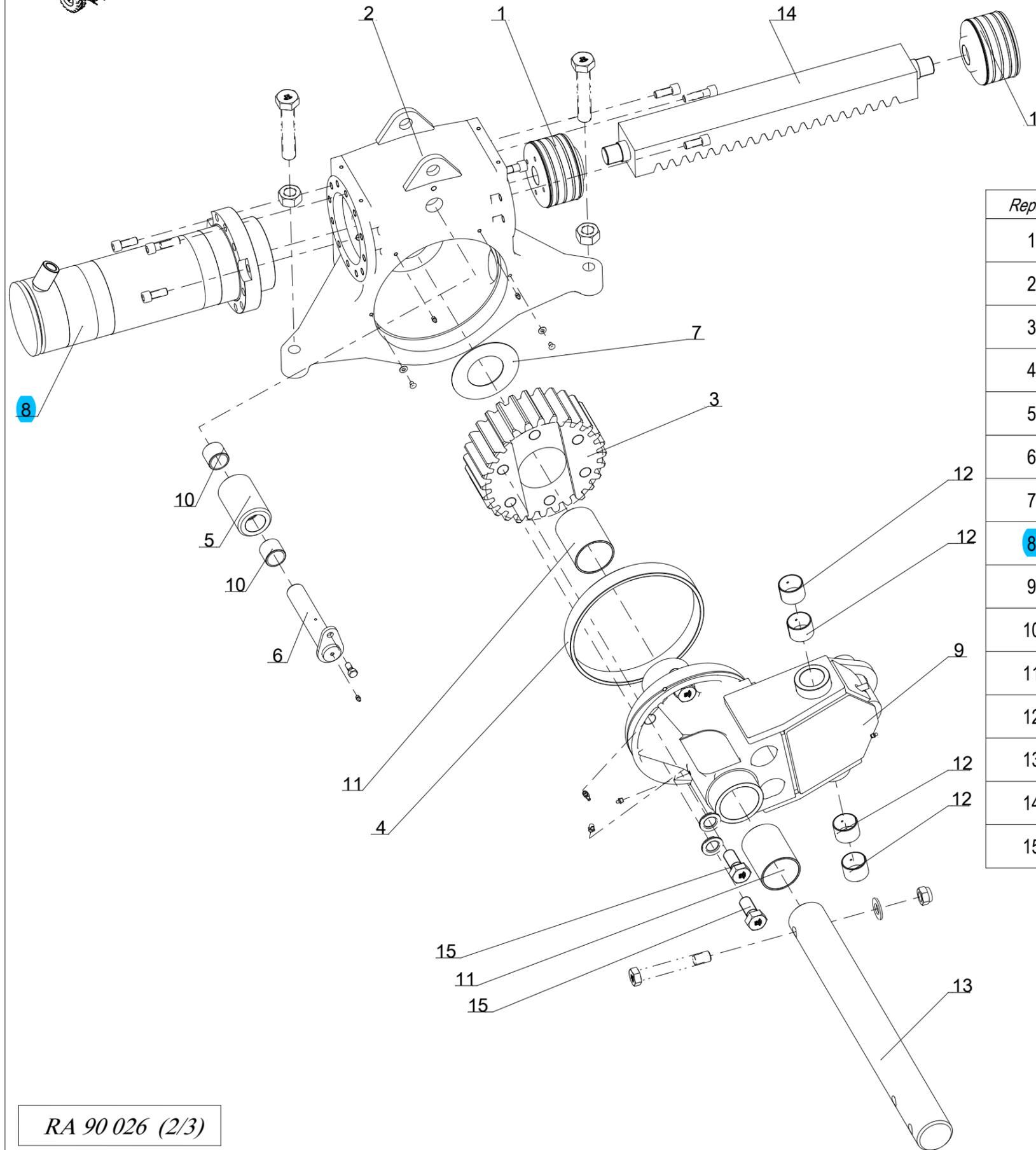
Turnover Semi-mounted single wheel



Repere	Quantite	Reference	Designation
1	1	1 123 115	Came de blocage en transport Handle for transport pin
2	1	1 223 152 U	Boitier de retournement headstock casting
3	2	1 223 164	Broche de bequille Parking leg pin
4	1	1 223 173	Axe blocage transport Transport lock pin
5	1	1 223 211	Douille blocage transport Socket (transport lock)
6	2	1 235 106	Collier double 2x20 complet Double hose fixation 2x20 cpl.
7	1	122 106	Rondelle plate speciale - 30.5x70x10 Special washer - 30.5x70x10
8	1	122 224	Ressort de blocage en transport - Dia 40, lg. : 110 mm Spring N°12 bis for transport lock - Dia 40, lg. : 110 mm
9	1	122 250	Axe Du50, Lu:378 Horizontal crucifix pin - Dia 50, Lu:378mm,M30
10	2	122 253	Axe Du25 Lu:100 Parking leg pin - Dia 25, Lu:100 mm
11	2	122 295	Rondelle plate speciale - 50.5x82x2 Special washer - 50.5x82x2
12	1	122 358	Collier double 2x16 complet Double hose fixation 2x16 cpl.
13	1	122 375	Berceau Av. train Headstock frame
14	2	VI 27 10	Vis H M8x 50 - 8.8 ZNBL Screw H M8x 50 - 8.8 ZNBL
15	6	VI 34 01	Vis H M22x 40 - 8.8 ZNBL , filet /25 mm Screw H M22x 40 - 8.8 ZNBL , thread /25 mm
16	2	VI 35 06	Vis H M24x120 - 8.8 ZNBL Screw H M24x120 - 8.8 ZNBL
17	2	VI 47 03	Vis H M30x130 - 10.9 ZNBL Screw H M30x130 - 10.9 ZNBL
18	2	VJ 320	Ecrou frein std H M 8 - 8 ZNBL Nyloc nut std H M 8 - 8 ZNBL
19	2	VJ 331	Ecrou frein std H M 24 - 8 ZNBL Nyloc nut std H M 24 - 8 ZNBL
20	1	VJ 335	Ecrou frein std H M 30 - 8 ZNBL - pas 200 Nyloc nut std H M 30 - 8 ZNBL - thread 200
21	2	VJ 626	Ecrou HU M30 - 8 ZNBL Nut HU M30 - 8 ZNBL
22	2	VL 101	Goupille "Clips" Dia6 Z Lynch pin "Clips" Dia6 Z
23	1	VL 214	Goupille elastique epaisse - 6x40 mm Thick roll pin - 6x40 mm
24	4	VL 415	Goupille fendue V 6.3x60 Split pin V 6.3x60



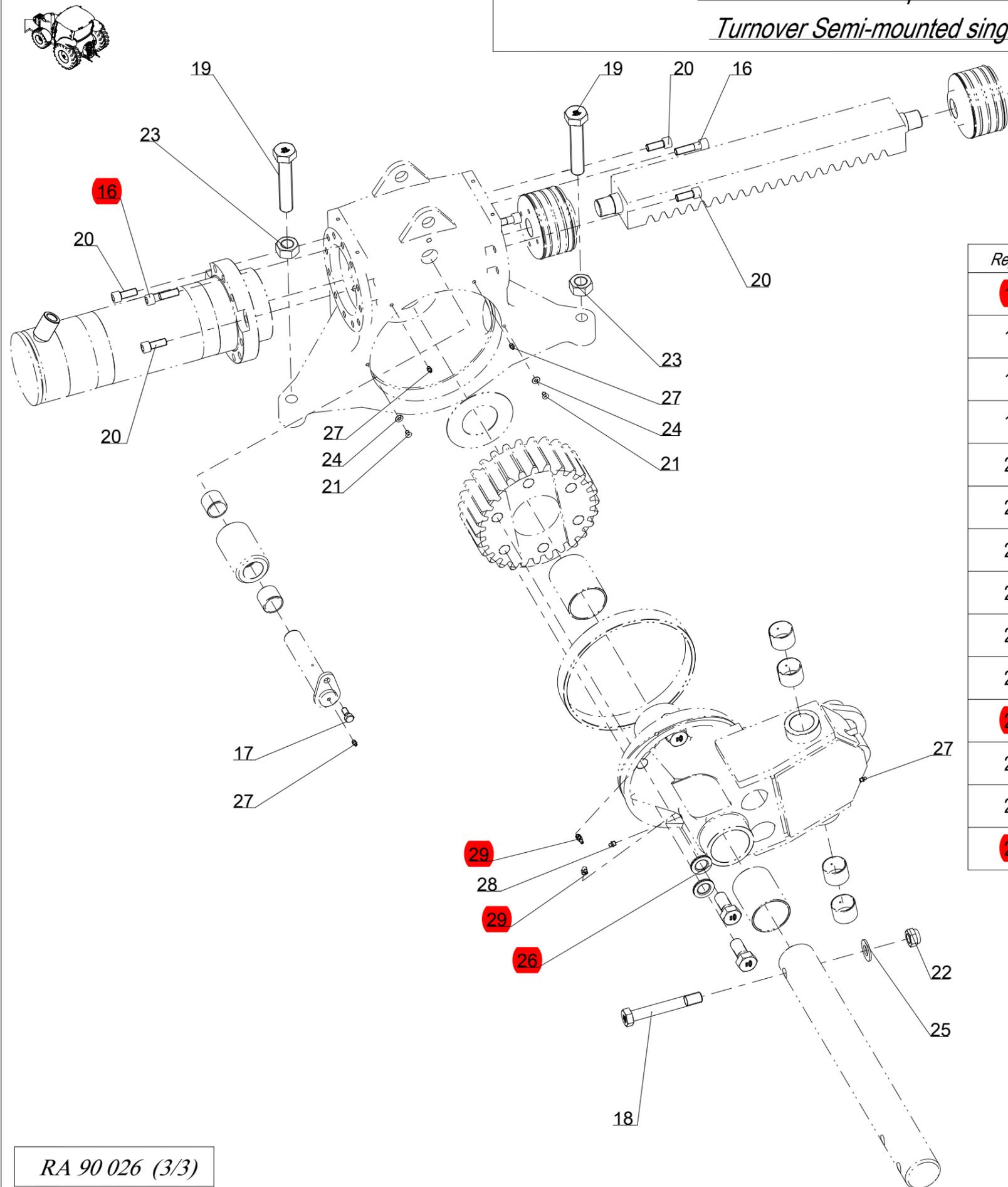
Retournement semi-portée mono-roue
Turnover Semi-mounted single wheel



Repere	Quantite	Reference	Designation
1	2	1 223 117	Piston retournement - Larg:107 mm, Dia 150 mm Piston for cylinder - Dia 150, width : 107 mm
2	1	1 223 152 U	Boitier de retournement headstock casting
3	1	1 223 155	Pignon - larg. : 133 mm pinion - width : 133 mm
4	1	1 223 156	Bague plastique pignon Plastic bushing for pinion
5	1	1 223 157	Galet de guidage de cremailere Rack guide bearing
6	1	1 223 158	Axe du galet Av. train headstock rollers pin
7	1	1 223 194	Rondelle speciale, Appui Int. du boitier, Dia 85.5x160 ep : 2 mm Special washer - Dia 85.5x160x2
8	2	1 223 236	Fut Retrounement semi-portée Dia150 Ram semi-mounted Dia150
9	1	1 223 401	Support pignon Pinion support
10	2	1 291 306	Bague composite Dia40x48 Lg=40 Bush composite Dia40x48 Lg=40
11	2	122 231	Bague plastique - Dia 93 x 86, lg. : 120 mm Plastic bush - Dia 93 x 86, lg. : 120 mm
12	4	122 246	Bague bronze - Dia50x55, lg. : 40 mm Bronze bushing - Dia50x55, lg. : 40 mm
13	1	122 251	Fusee Av. du berceau - Dia 85, lg. : 790 mm Front shaft - Dia 85, lg. : 790 mm
14	1	122 256	Cremaillere - larg. : 100 mm rack - width : 100 mm
15	6	122 265	Vis H M27x 60 - 10.9 Brut, filet /45mm, pas200 Screw H M27x 60 - 10.9 Znbl, thread /45mm, thread200

Retournement semi-portée mono-roue

Turnover Semi-mounted single wheel

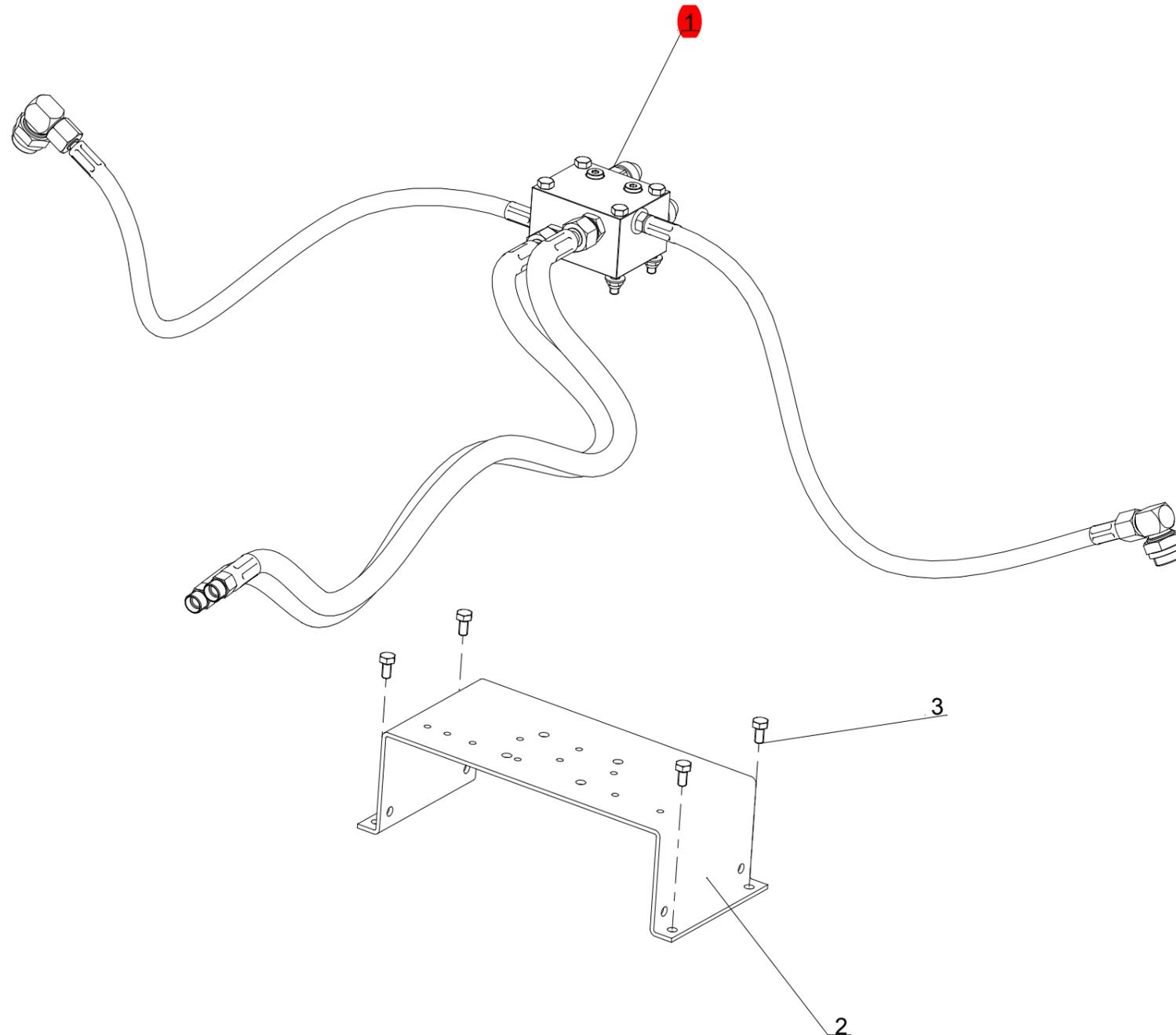


Repere	Quantite	Reference	Designation
16	20	802 503 000	Vis CHc M16x 60 - 8.8 Brut Screw CHc M16x 60 - 8.8 Black
17	1	VI 24 33	Vis H conique M12x22 lg. : 36 classe 8.8 Screw H conical M12x22 lg. : 36
18	1	VI 35 15	Vis H M24x170 - 10.9 ZNBL, filet /36 mm Screw H M24x170 - 10.9 ZNBL, thread /36 mm
19	2	VI 47 01	Vis H M30x160 - 10.9 ZNBL Screw H M30x160 - 10.9 ZNBL
20	4	VI 48 24	Vis CHc M16x 40 - 8.8 Brut Screw CHc M16x 40 - 8.8 Black
21	2	VI 49 02	Vis FHC M8x 12 - 10.9 Brut Screw FHC M8x 12 - 10.9 Black
22	1	VJ 331	Ecrou frein std H M 24 - 8 ZNBL Nyloc nut std H M 24 - 8 ZNBL
23	2	VJ 626	Ecrou HU M30 - 8 ZNBL Nut HU M30 - 8 ZNBL
24	2	VK 502	Rondelle plate MU8 ZNBL Flat washer MU8 ZNBL
25	1	VK 510	Rondelle plate MU24 ZNBL Flat washer MU24 ZNBL
26	6	VK 522	Rondelle ZNBL NL27 Washer ZNBL NL27
27	4	VM 201	Graisseur droit - M8, pas125 Grease nipple - M8, thread125
28	1	VM 205	Graisseur droit - M10, pas150 Grease nipple - M10, thread150
29	2	VM 207	Graisseur coude 90° M10x150 Grease nipple 90° M10x150

Retournement semi-portée direct



Index	Quantité	Reference	Designation
1	1	1 214 230	Kit hyd. limiteur de pression (Ret. semi-portée directe) Kit pressure limiter
2	1	1 223 112	Support distributeur Support (hydraulic block)
3	4	VI 27 03	Vis H M8x 16 - 8.8 ZNBL Screw H M8x 16 - 8.8 ZNBL

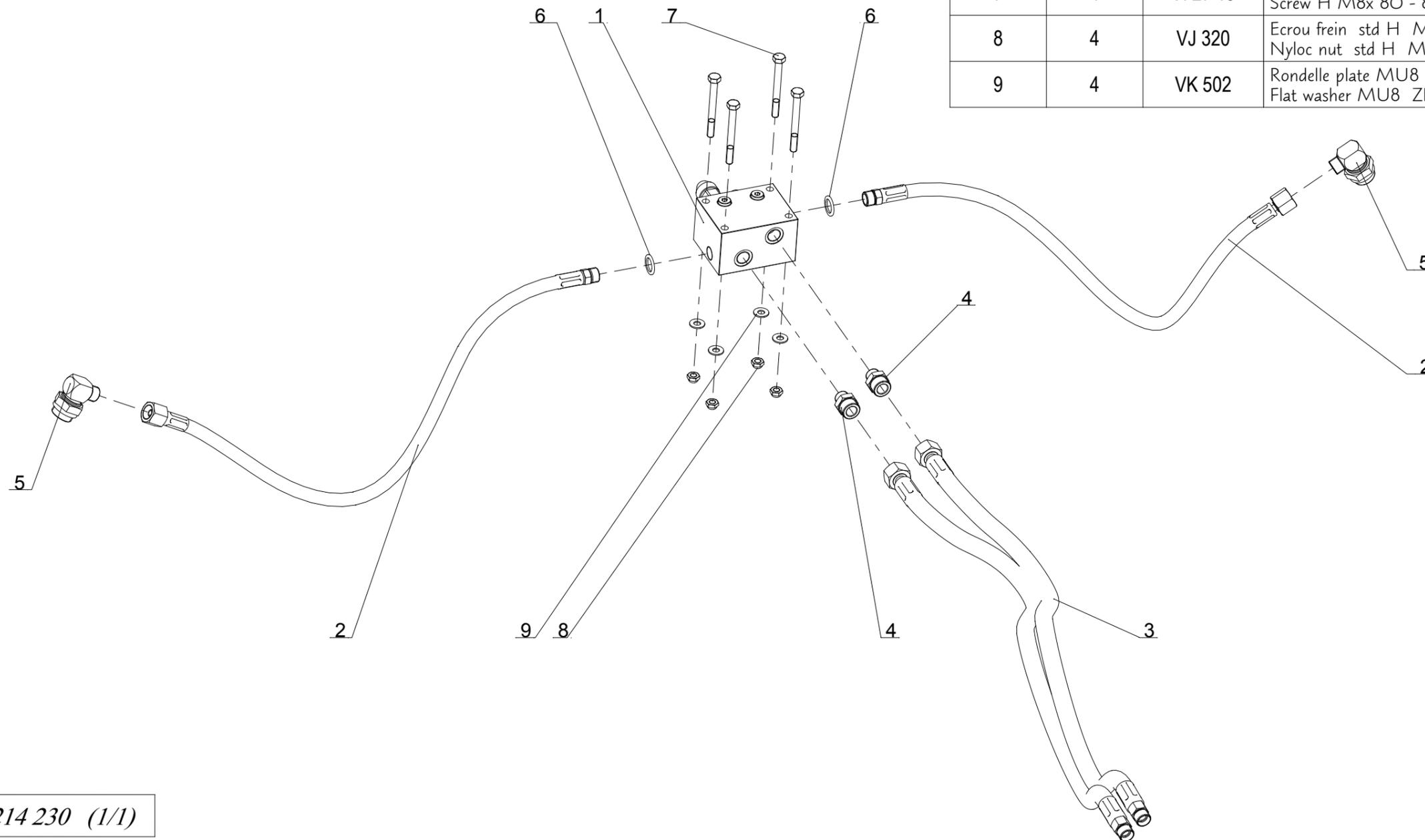




Kit hyd limiteur de pression (Ret. semi-portée directe)

Kit pressure limiter

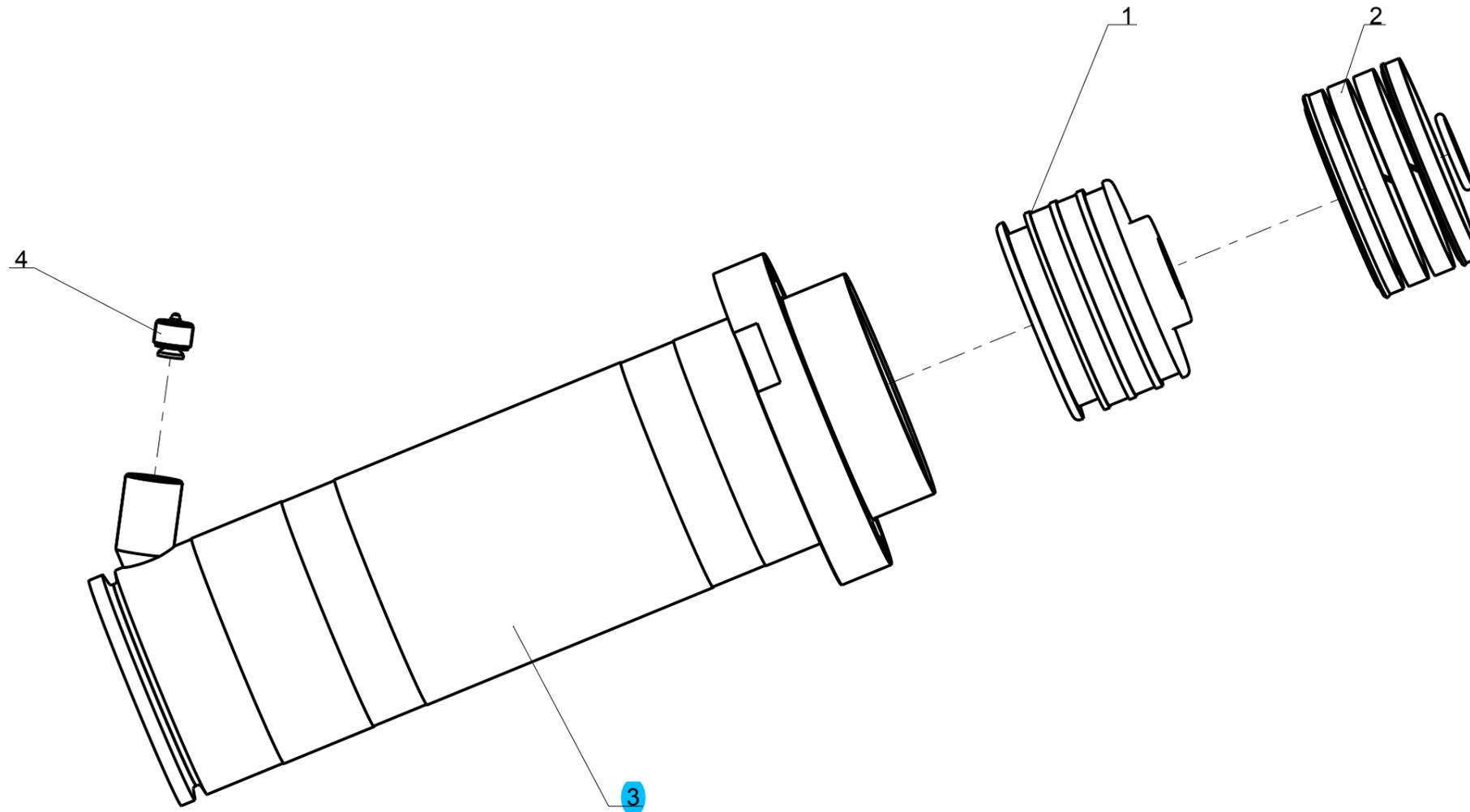
Index	Quantité	Référence	Designation
1	1	1 214 231	Limiteur pression 180B Pressure limiter 180B
2	2	1 214 233	Flex. Hyd. - Dia5/16, Lg:800, E12-M3/8 Hydraulic hose 5/16 Lg:800, F12-M3/8
3	2	1 223 131	Flex. Hyd. - Dia 1/2", lg. :3000mm, E15-MVA18 Hydraulic hose - Dia 1/2", lg. :3000mm, F15-MVA18
4	2	1 231 523	Union nu male15 + male3/8 Cyl Union M15 + M3/8 Cyl
5	2	1 231 554	Coude orientable M12 - 3/4G, contre-ecrou Swivel elbow M12 - 3 / 4G
6	2	10 248	Bague BS 17 Ring BS 17
7	4	VI 27 13	Vis H M8x 80 - 8.8 ZNBL Screw H M8x 80 - 8.8 ZNBL
8	4	VJ 320	Ecrou frein std H M 8 - 8 ZNBL Nyloc nut std H M 8 - 8 ZNBL
9	4	VK 502	Rondelle plate MU8 ZNBL Flat washer MU8 ZNBL

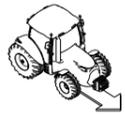




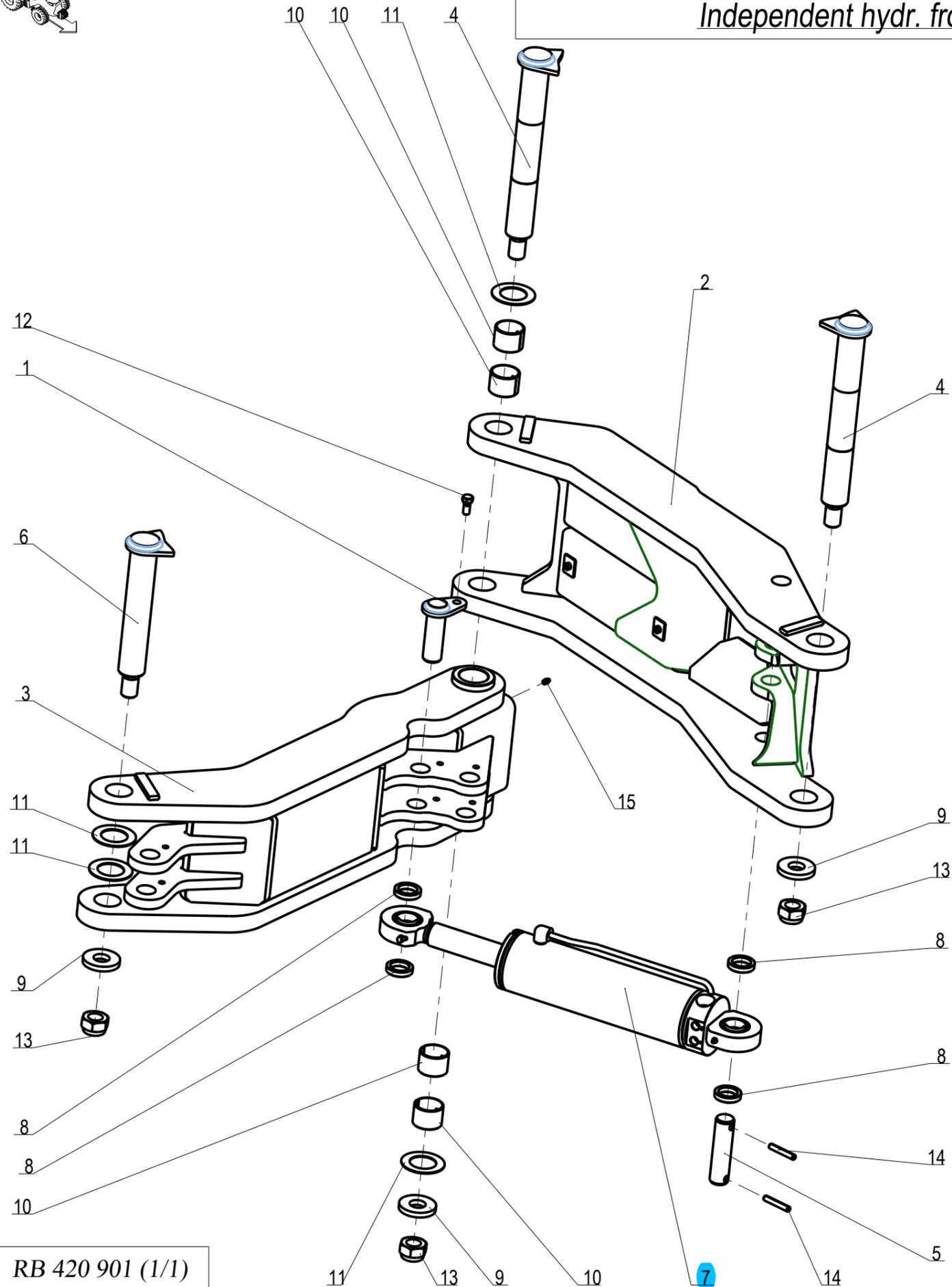
Fut + Piston retournement cremailliere Ram + piston turnover

Repere	Quantité	Reference	Designation
1	1	1 223 117	Piston semi-portée largeur Piston for cylinder
2	1	1 223 118	Jeu de joints pour piston Seal kit for Piston for cylinder - Dia 150, width : 107 mm
3	1	1 223 236	Fut Retournement semi-portée Dia150 Ram semi-mounted Dia150
4	1	122 364	Clapet parachute "hawe" 3/4 Parachute valve Hawe 3/4"



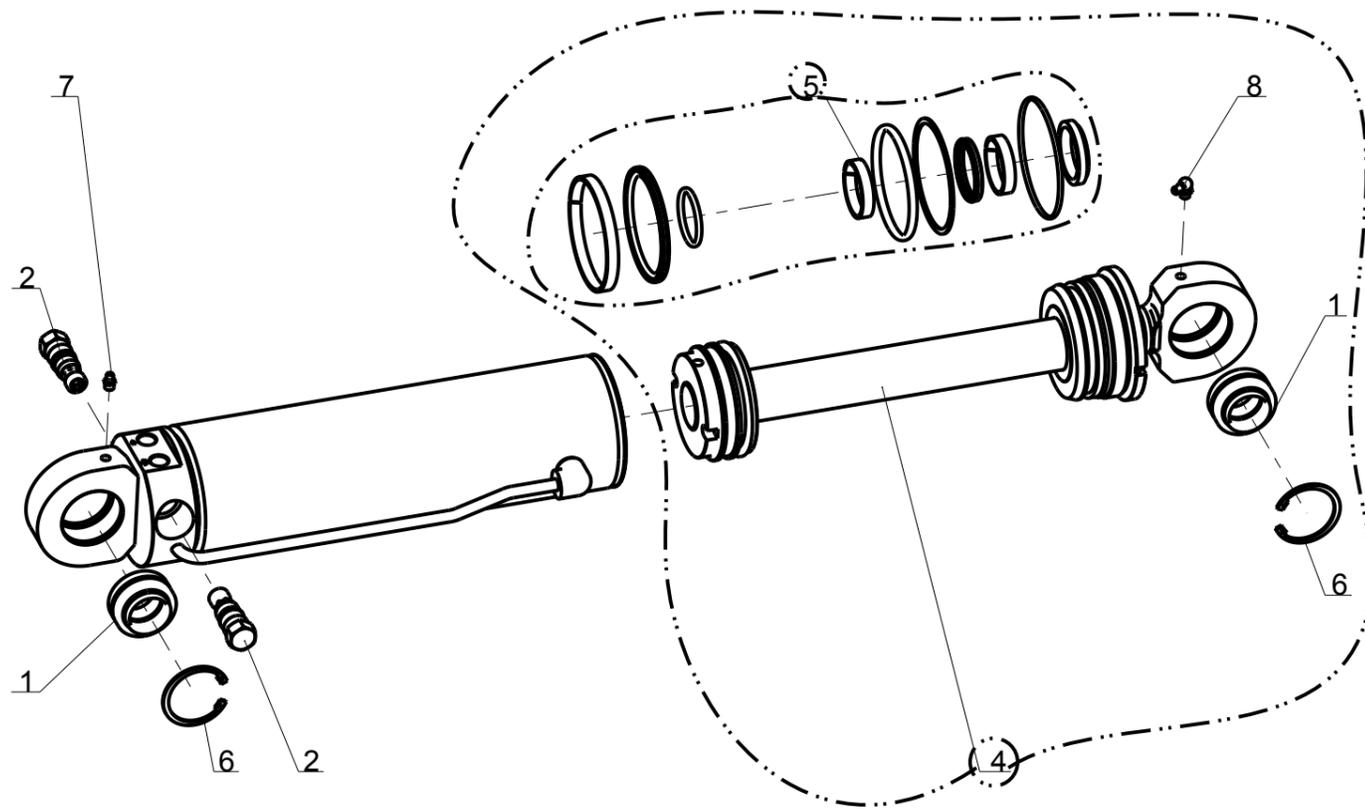


Deport semi-portée mono-roue hors raie Hyd. Indep. Independent hydr. front furrow adjustment



Repere	Quantité	Reference	Designation
1	1	1 122 732	Axe bras de devers (Dia35 Lu:103) Pin Dia 35, Lu:103 mm
2	1	1 223 402	Bras de deport interieur Int. front furrow adjuster
3	1	1 223 403	Bras de deport exterieur Ext. front furrow adjuster
4	2	1 223 405	Axe de bras Int. deport Axle front furrow adjuster
5	1	1 223 406	Axe Av de verin de deport Front axle (front furrow ram)
6	1	1 223 407	Axe de bras Ext. deport Axle (ext. front furrow adjuster)
-	1	1 223 411	Kit Hyd. deport direct Hyd. kit front furrow
7	1	1 223 437	Vérin DE 100x45 C290 Ram DA 100x45 Str.290
8	4	1 234 112	Entretoise Dia 35.5 x 50 Lg : 10 Spacer washer 50x35.5x10
9	3	122 106	Rondelle plate speciale - 30.5x70x10 Special washer - 30.5x70x10
10	4	122 246	Bague bronze - Dia50x55, lg. : 40 mm Bronze bushing - Dia50x55, lg. : 40 mm
11	4	122 295	Rondelle plate speciale - 50.5x82x2 Special washer - 50.5x82x2
12	1	VI 24 33	Vis H conique M12x22 lg. : 36 classe 8.8 Screw H conical M12x22 lg. : 36
13	3	VJ 335	Ecrou frein std H M 30 - 8 ZNBL - pas 200 Nyloc nut std H M 30 - 8 ZNBL - thread 200
14	2	VL 225	Goupille elastique epaisse - 10x60 mm Thick roll pin - 10x60 mm
15	1	VM 201	Graisseur droit - M8, pas125 Grease nipple - M8, thread125

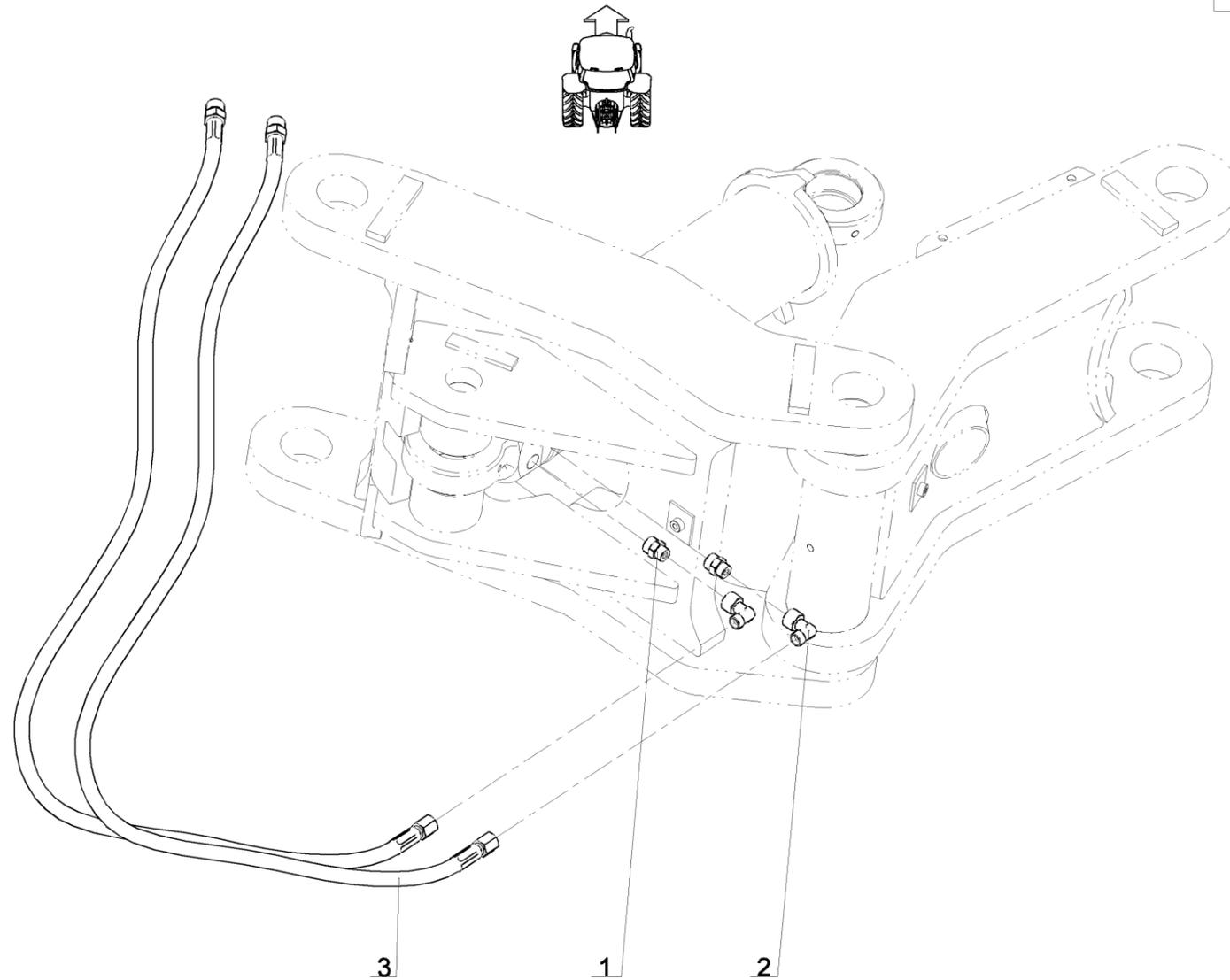
Vérin DE 100x45 C290
Ram DA 100x45 Str.290



Repere	Quantité	Reference	Designation
1	2	1 116 241	Rotule lisse GE35HO 35x55x35 Bearing GE35HO 35x55x35
2	2	1 122 467	Blocage pilote Check valve kit
3	1	1 223 437	Vérin DE 100x45 C290 Ram DA 100x45 Str.290
4	1	1 223 438	Kit tige / Vérin 1 223 437 Kit stick / Ram 1 223 437
5	1	1 223 439	Jeu de joints vérin DE 100x45 Seal kit ram DA 100x45
6	2	VM 104	Circlips pour alesage Dia 55 Internal circlip for bore Dia 55
7	1	VM 201	Graisseur droit - M8, pas125 Grease nipple - M8, thread125
8	1	VM 203	Graisseur coude 90° M8x125 Grease nipple 90° M8x125

Hyd. kit front furrow
Ремкомплект для гидроцилиндра смещения

<i>Index / Справка</i>	<i>Qty / Количество</i>	<i>Reference / N° по каталогу</i>	<i>Designation / Наименование</i>
1	2	1 116 144	Union M8 + M3/8 Cyl Штуцер голый M8 + M3/8 Cyl
2	2	1 116 525	Hydraulic adaptable elbow F8 + M8 Адаптер изогн. гайка 8 + "папа" 8
3	2	1 116 605	Hydraulic hose 1/4 Lg:4500 F8-MVA18 Шланг гидравл. - Dia1/4" - дл. 4500 E8-MVA18



1 223 411 (1/1)

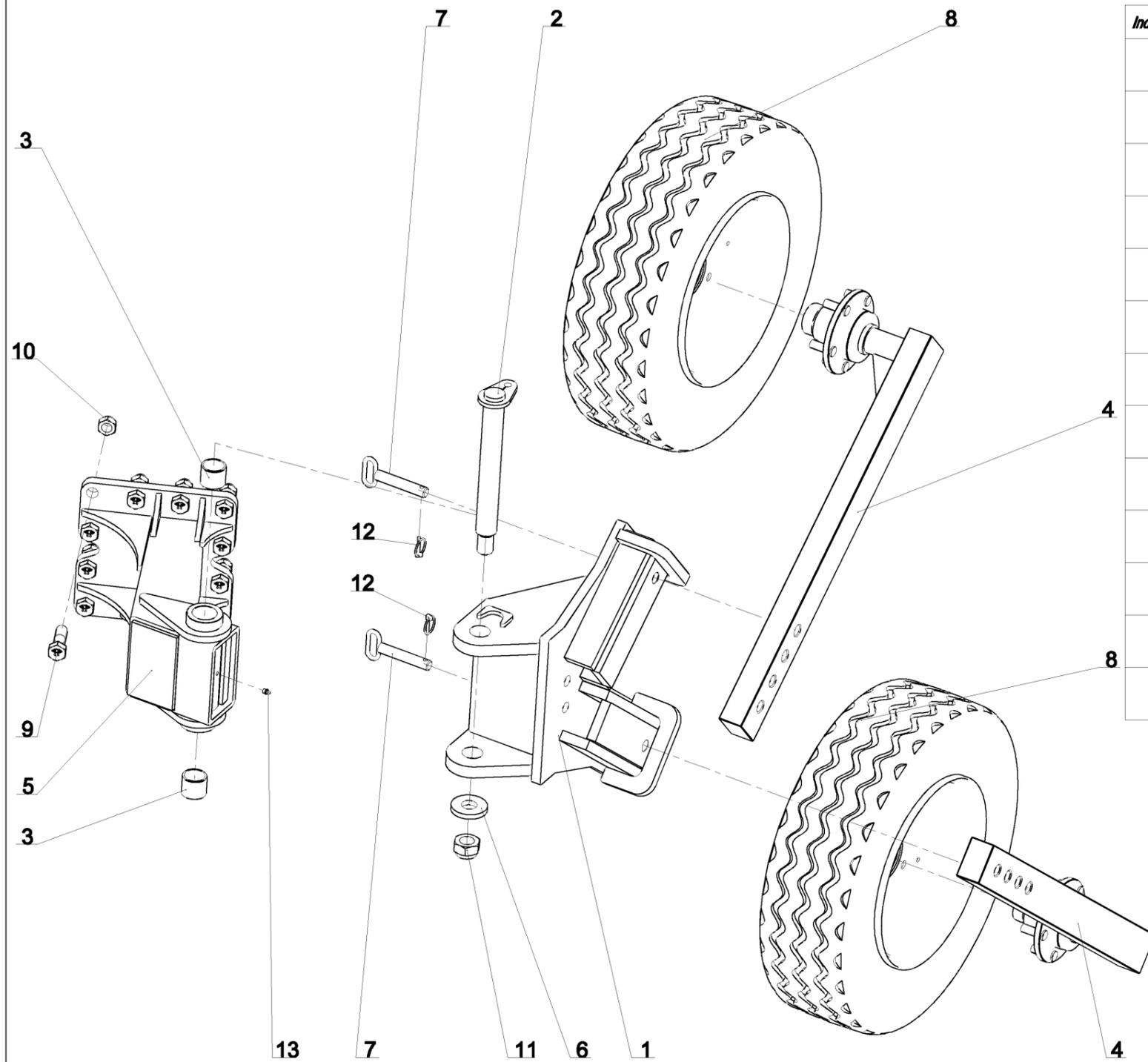
if need for hydraulic hose protection, order the desired length

<i>Picture</i>	<i>Qty / Количество</i>	<i>Reference / N° по каталогу</i>	<i>Designation / Наименование</i>
	meter	1 116 581	Plastic flat spring Dia 15mm Рессора плоская пластмассовая Dia15mm
	meter	1 116 582	Plastic flat spring Dia 20mm Рессора плоская пластмассовая Dia20mm
	meter	1 116 580	Plastic flat spring Dia 13mm Рессора плоская пластмассовая Dia13mm
	meter	1 116 546	Plastic flat spring Dia25-40mm Рессора плоская пластмассовая Dia25-40mm

16-Jul-13

Revision : A
M a J :

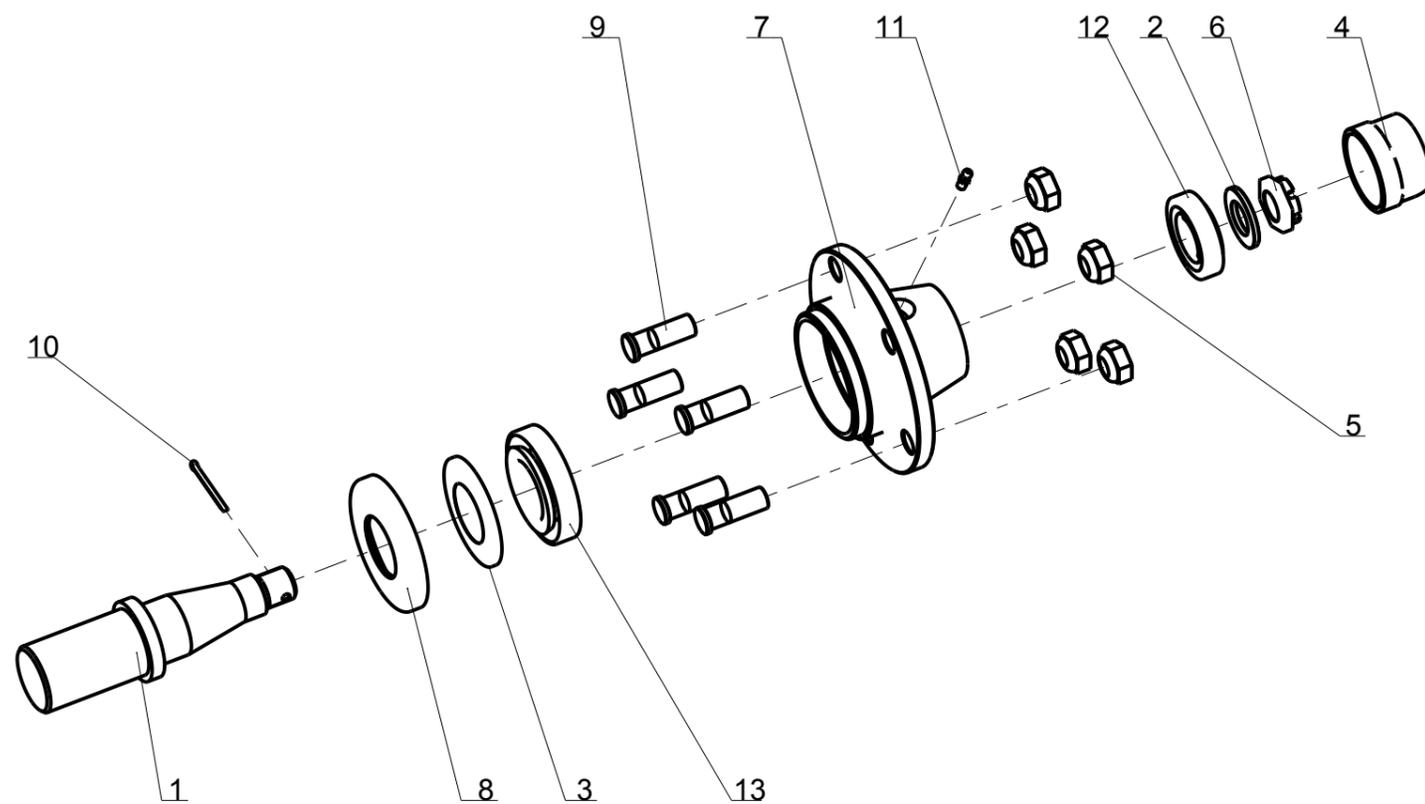
Wheel RAD-SPML(W)9 700x12 Ht:180, yellow rim
Колесо RAD-SPML(W)9 700x12 Ht:180, желтые обода



Index / Справка	Qty / Количество	Reference / № по каталогу	Designation / Наименование
1	1	1 291 302	Swivel wheel bracket RAD-SPL9 Поворотная обойма двойного колеса SPL9
2	1	1 291 303	Pivot pin RAD - Dia 40, lg. : 360 mm Ось поворота суппорта двойного колеса - Ø 40, дл. : 360 мм, шаг 2.00
3	2	1 291 306	Bush composite Dia40x48 Lg=40 Втулка композит Dia 40x48 дл.40
4	2	1 291 308	Wheel arm RAD-SPL9 Ht : 180 Стойка колеса RAD длин
5	1	1 291 309	Wheel mounting bracket RAD-SPHR8 Кронштейн колеса RAD-VL
6	1	122 106	Special washer 30.5x70x10 Шайба плоская специальная 30.5 x 70 x 10
7	2	122 156	Working depth adjusting pin - Dia 20, lg. : 110 mm Регулировочный штифт колеса Quick SP
8	2	198 709 Y	Complete wheel - 700 x 12, 5 studs, yellow rim Колесо в сборе 700-12, 5отв., желтые обода
9	12	VI 34 13	Screw H M22x 70 - 8.8 ZNBL, thread /34mm Болт H M22x 70 - 8.8 ZNBL, резьба /34 мм
10	12	VJ 329	Nyloc nut std H M 22 - thread 250 Гайка с нейлостопором std H M 22 шаг 250
11	1	VJ 335	Nyloc nut std H M 30 - thread 200 Гайка с нейлостопором std H M 30 шаг 200
12	2	VL 101	Lynch pin "Clips" Dia6 Z Шплинт с пружин.кольцом Dia 6 Z
13	1	VM 201	Grease nipple - M8, thread125 Смазчик прямой M8 шаг 125



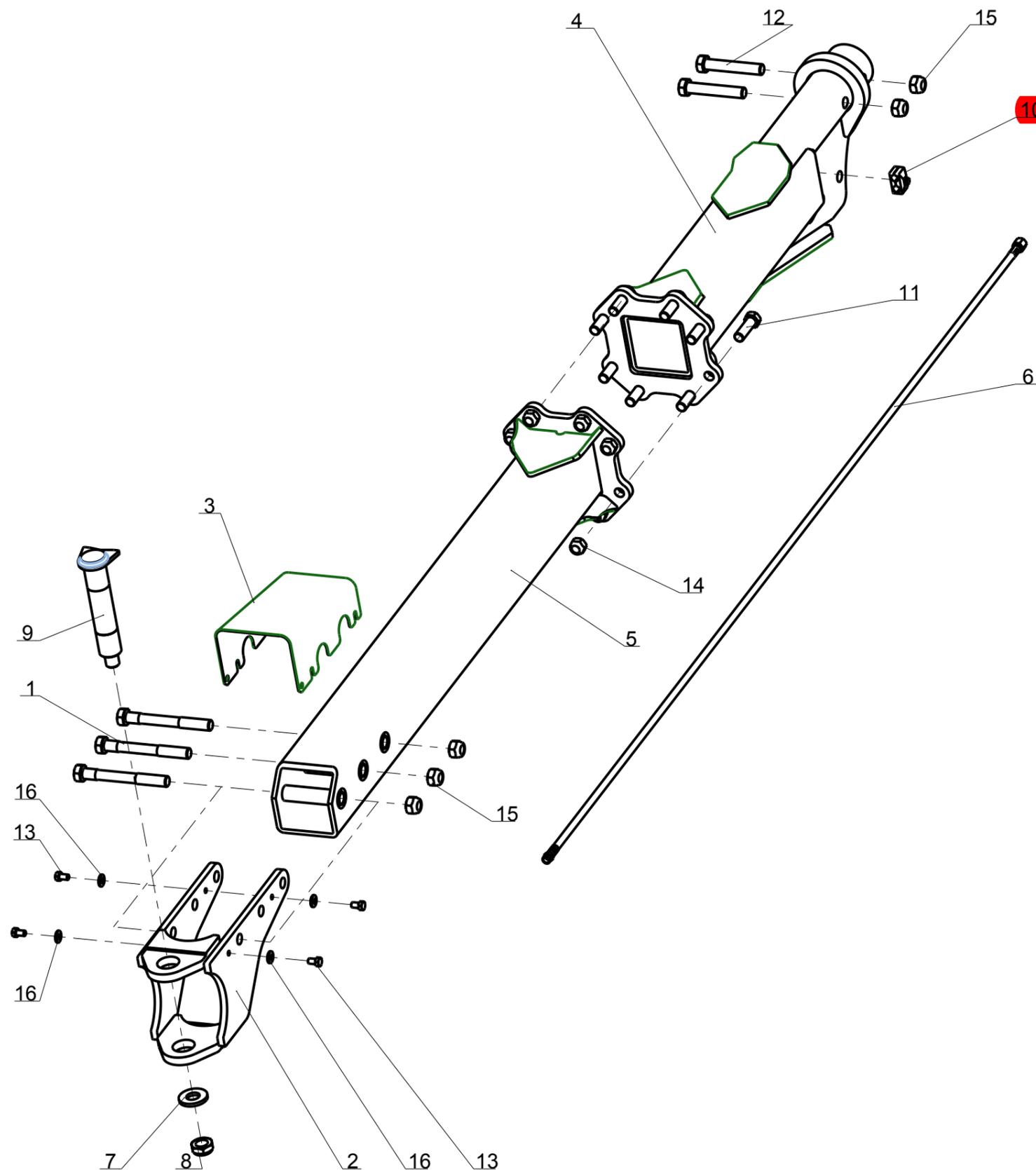
Moyeu 505A Lg:90 special semi-portée
Complet hub 5-Stud 50 Lg:90



Repere	Quantité	Reference	Designation
1	1	1 291 311	Fusée moyeu 5trs a souder Wheel axle 505A R50 Lg:90
2	1	198 315	Rondelle d'arret Dia25x45x4 Protection washer - Dia 25 x 45, thick. : 4 mm
3	1	198 357	Joint Nylos Dia45x84 Grease retainer Nylos for hub - Dia 45 x 84 mm
4	1	198 369	Chapeau de moyeu M64 Hub cap - M64
5	5	198 375	Ecrou de goujon - M16, pas 1,50 Wheel nut - M16, lg. : 45 mm, thread 1.50
6	1	198 377	Ecrou à creneaux HK M24x200 Castellated nut for hub HK M24 - thread 2.00, thick. : 15 mm
7	1	198 516	Moyeu nu 5 trs (505A) Wheel hub 5-Stud steel
8	1	198 524	Rondelle enveloppante Dia45x100x12 Protection washer - Dia 45 x 100, thick. : 12 mm
9	5	198372	Goujon de roue M16, pas 1,50 Lg:45mm Wheel stud M16x150 Lg:45
10	1	VL 405	Goupille fendue V 4x40 Split pin V 4x40
11	1	VM 211	Graisser droit - M6, pas100 Grease nipple - M6, thread100
12	1	VN 30 206	Roulement a rouleaux conique Taper roller bearing
13	1	VN 30 209	Roulement a rouleaux conique Taper roller bearing



Barre de Stab. semi-portée mono-roue hors-raie 100 (1+4) 2583
Stabilization bar, semi-mounted single wheel 1000 (1+4) 2583, on-land



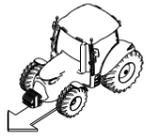
Repere	Quantité	Reference	Designation
1	3	1 118 357	Vis H M24x210 - 10.9 ZNBL, filet /36 mm Screw H M24x210 - 10.9 ZNBL, thread /36 mm
2	1	1 212 410	Articulation Ar. de barre de stab Rear articulation of stabilization bar
3	1	1 212 411	Carter Ar. / Barre de stab Rear protection plate / stabilization bar
4	1	1 212 421	Barre de stab Av (Lg:1100) Front stabilization bar (Lg:1100)
5	1	1 212 422	Barre de Stab Ar 5-100 (Lg:1483) Rear stabilization bar 5-100, (Lg:1483)
6	1	1 212 431	Flex Hyd. - 5/16 - Lg:2680mm, E12-M12 Hydr. hose 5/16 Lg:2680mm E12-M12
7	1	1 233 264	Rondelle plate speciale - 30.5x65, ep. : 7 mm Special flat washer - 30.5x65x7
8	1	1 233 267	Ecrou frein usine H M30, pas 2.00 ep. : 20 mm Nyloc nut H M30, thread 2.00, 20 mm thick.
9	1	1 292 308	Axe Ar. de bras de roue Welded rear axle
10	1	122 358	Collier double 2x16 complet Double hose fixation 2x16 cpl.
11	8	VI 34 13	Vis H M22x 70 - 8.8 ZNBL, filet /34mm Screw H M22x 70 - 8.8 ZNBL, thread /34mm
12	2	VI 35 08	Vis H M24x140 - 8.8 ZNBL Screw H M24x140 - 8.8 ZNBL
13	4	VI 41 02	Vis H M12x 20 - 8.8 ZNBL Screw H M12x 20 - 8.8 ZNBL
14	8	VJ 329	Ecrou frein std H M 22- 8 ZNBL Nyloc nut std H M 22- 8 ZNBL
15	5	VJ 331	Ecrou frein std H M 24 - 8 ZNBL Nyloc nut std H M 24 - 8 ZNBL
16	4	VK 504	Rondelle plate MU12 ZNBL Flat washer MU12 ZNBL

RB 533 101 (1/1)

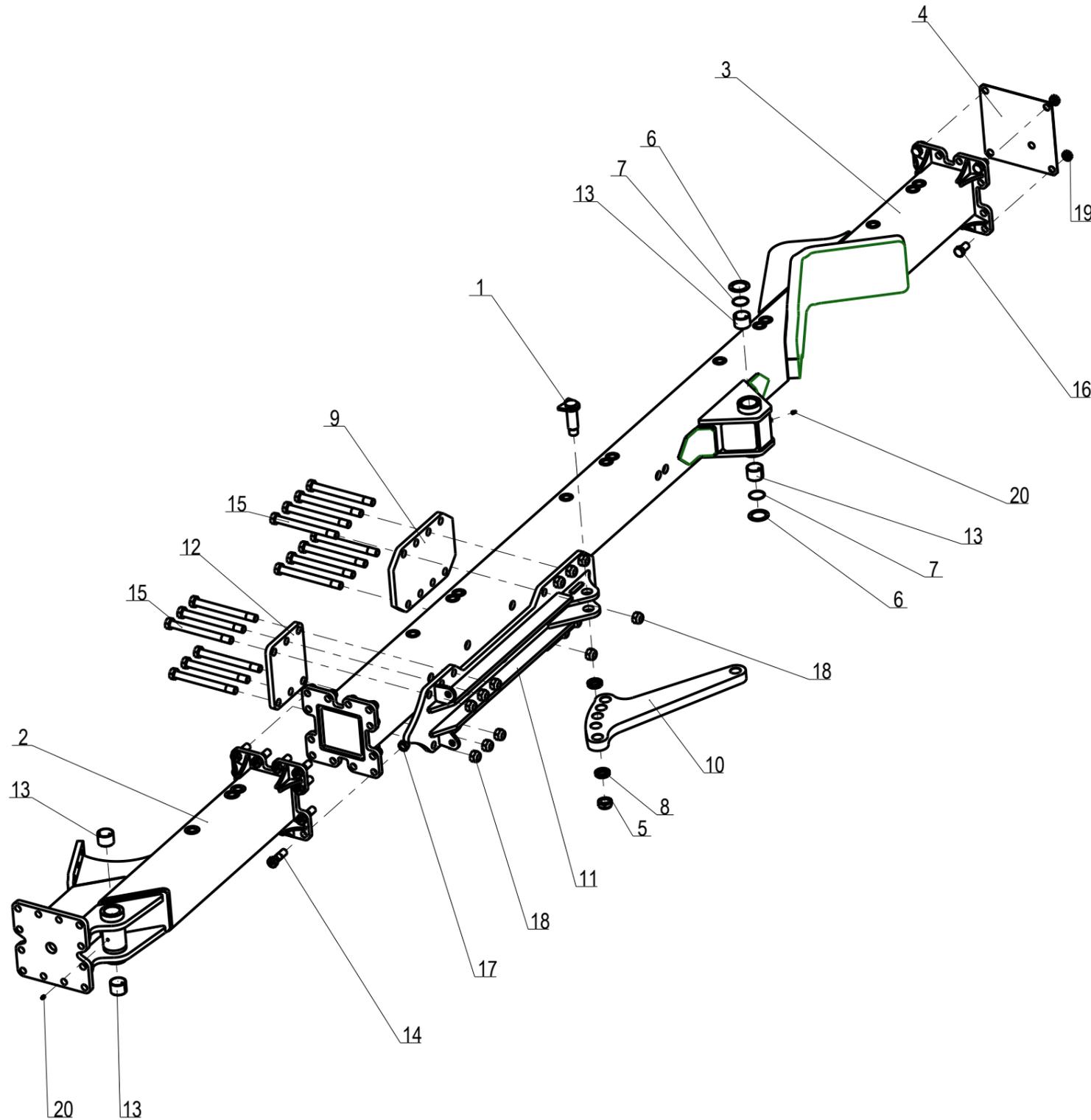
if need for hydraulic hose protection, order the desired length

Picture	Qty /	Reference / N°	Designation /
	meter	1 116 581	Plastic flat spring Dia 15mm Dia15mm
	meter	1 116 582	Plastic flat spring Dia 20mm Dia20mm
	meter	1 116 580	Plastic flat spring Dia 13mm Dia13mm
	meter	1 116 546	Plastic flat spring Dia25-40mm Dia25-40mm

10-Jul-13
 Revision : B
 M a J :31-Mar-15



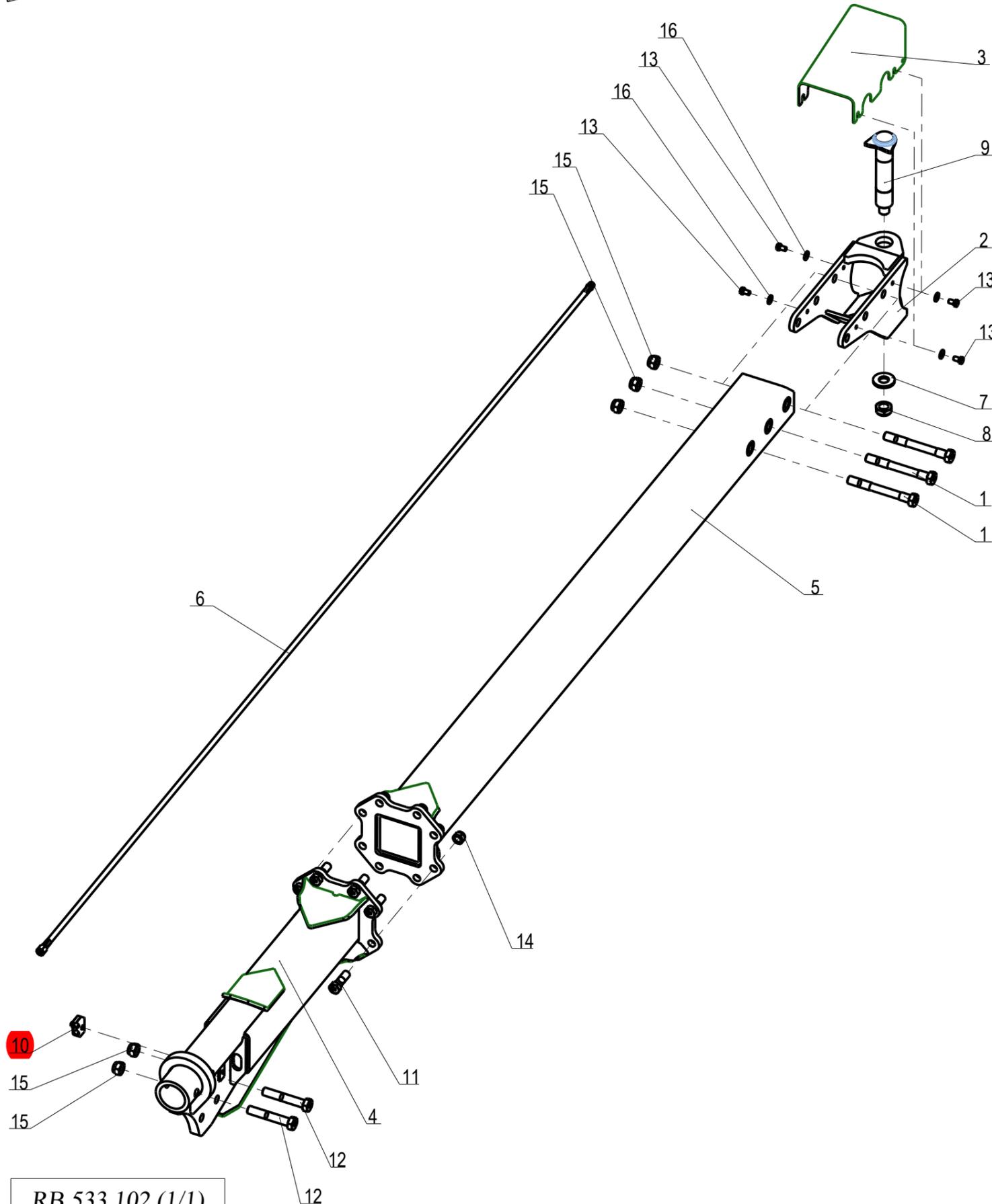
Caisson semi-portée mono-roue en raie et/ou hors raie 5/1000 (Av + 4)
Beam 5/1000 Semi-mounted single wheel (Front part+4)



Repere	Quantité	Reference	Designation
1	1	1 113 832	Axe Ar verin de largeur Rear axle of the working width cylinder
2	1	1 212 401	Bloc Avant Welded front piece
3	1	1 212 402	Caisson Ar. ; 4 corps 100 Welded rear beam - 4-furrow 100
4	1	1 214 130	Plaque de fermeture Front end plate
5	1	1 233 267	Ecrou frein usine H M30, pas 2.00 ep. : 20 mm Nyloc nut H M30, thread 2.00, 20 mm thick.
6	2	1 233 269	Rondelle plate speciale - 50x70x1 Special flat washer - 50x70x1
7	2	1 233 271	Joint torique - Dia 50x2.5 O-Ring Dia 50x2,5
8	2	1 234 112	Entretoise Dia 35.5 x 50 Lg : 10 Spacer washer 50x35.5x10
9	1	1 292 360	Plaque de fixation du support Support mounting plate
10	1	1 292 362	Bras de réglage d'angle de roue Arm adjustable wheel angle
11	1	1 292 364	Support bras d'angle de roue 100 Renf. Arm support wheel angle reinforced SPML9 100
12	1	1 292 365	Contre plaque Av de sup. angle de roue Renf. Plate against support wheel angle reinforced SMPL9
13	6	122 246	Bague bronze - Dia50x55, lg. : 40 mm Bronze bushing - Dia50x55, lg. : 40 mm
14	12	VI 34 13	Vis H M22x 70 - 8.8 ZNBL, filet /34mm Screw H M22x 70 - 8.8 ZNBL, thread /34mm
15	14	VI 35 33	Vis H M24x250 - 10.9 ZNBL, filet /36 mm Screw H M24x250 - 10.9 ZNBL, thread /36 mm
16	4	VI 46 01	Vis H M22x 40 - 8.8 ZNBL Screw H M22x 40 - 8.8 ZNBL
17	12	VJ 329	Ecrou frein std H M 22- 8 ZNBL Nyloc nut std H M 22- 8 ZNBL
18	14	VJ 331	Ecrou frein std H M 24 - 8 ZNBL Nyloc nut std H M 24 - 8 ZNBL
19	4	VJ 407	Ecrou Hm M22 - 8 ZNBL Nut Hm M22 - 8 ZNBL
20	2	VM 201	Graisseur droit - M8, pas125 Grease nipple - M8, thread125



Barre de stab. semi-portée mono-roue hors-raie 1000 (1+5) 3557mm
Stabilization bar, semi-mounted single wheel 1000 (1+5) 3557mm, on-land



Repere	Quantité	Reference	Designation
1	3	1 118 357	Vis H M24x210 - 10.9 ZNBL, filet /36 mm Screw H M24x210 - 10.9 ZNBL, thread /36 mm
2	1	1 212 410	Articulation Ar. de barre de stab Rear articulation of stabilization bar
3	1	1 212 411	Carter Ar. / Barre de stab Rear protection plate / stabilization bar
4	1	1 212 421	Barre de stab Av (Lg:1100) Front stabilization bar (Lg:1100)
5	1	1 212 423	Barre de stab Ar. 6/100 (Lg:2468) Rear stabilization bar 6/100 (Lg:2468)
6	1	1 212 432	Flex Hyd. - 5/16 - Lg:3670mm, E12-M12 Hydr. hose 5/16 Lg:3670mm E12-M12
7	1	1 233 264	Rondelle plate speciale - 30.5x65, ep. : 7 mm Special flat washer - 30.5x65x7
8	1	1 233 267	Ecrou frein usine H M30, pas 2.00 ep. : 20 mm Nyloc nut H M30, thread 2.00, 20 mm thick.
9	1	1 292 308	Axe Ar. de bras de roue Welded rear axle
10	1	122 358	Collier double 2x16 complet Double hose fixation 2x16 cpl.
11	8	VI 34 13	Vis H M22x 70 - 8.8 ZNBL, filet /34mm Screw H M22x 70 - 8.8 ZNBL, thread /34mm
12	2	VI 35 08	Vis H M24x140 - 8.8 ZNBL Screw H M24x140 - 8.8 ZNBL
13	4	VI 41 02	Vis H M12x 20 - 8.8 ZNBL Screw H M12x 20 - 8.8 ZNBL
14	8	VJ 329	Ecrou frein std H M 22- 8 ZNBL Nyloc nut std H M 22- 8 ZNBL
15	5	VJ 331	Ecrou frein std H M 24 - 8 ZNBL Nyloc nut std H M 24 - 8 ZNBL
16	4	VK 504	Rondelle plate MU12 ZNBL Flat washer MU12 ZNBL

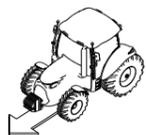
RB 533 102 (1/1)

if need for hydraulic hose protection, order the desired length

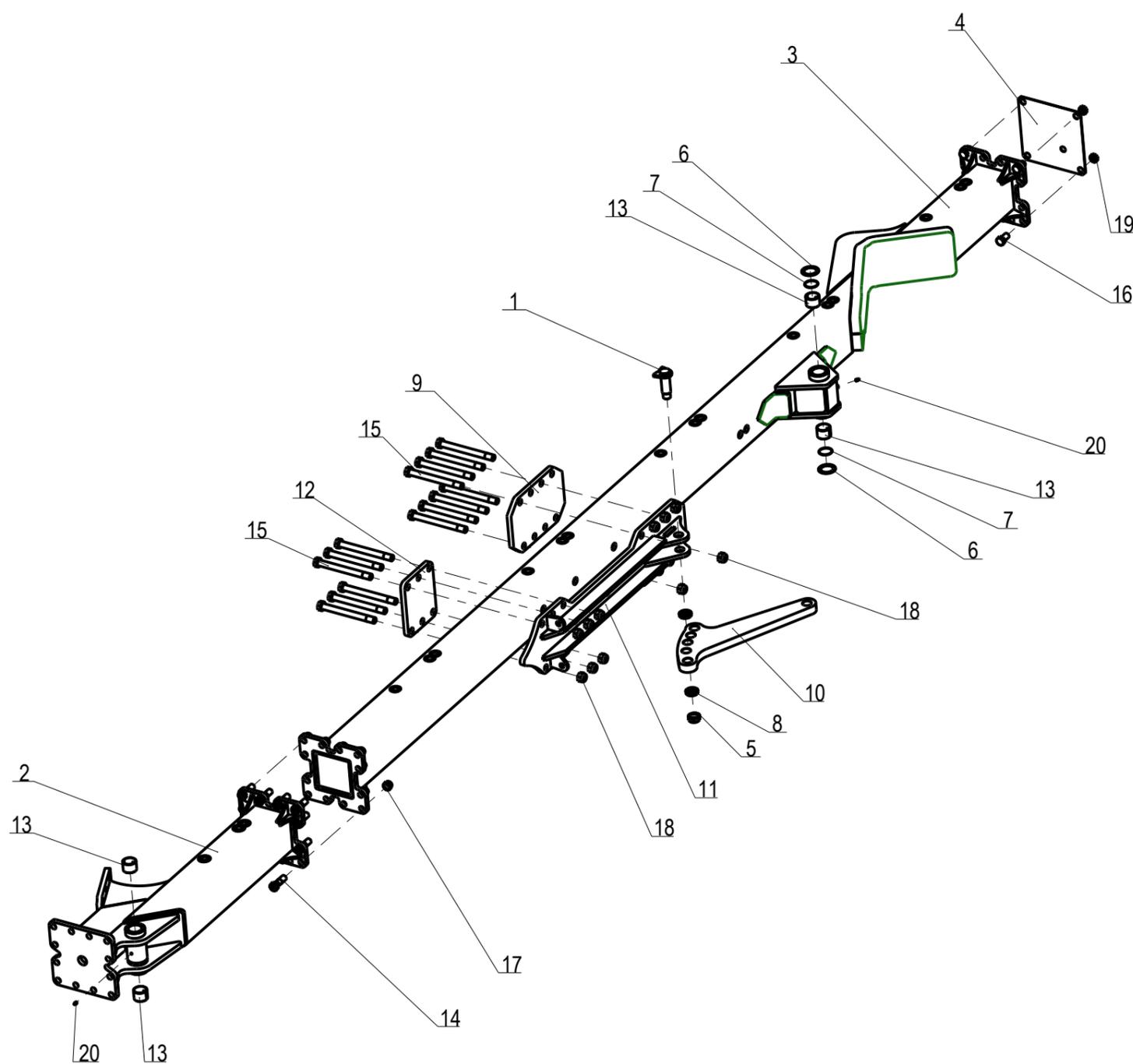
Picture	Qty /	Reference / N°	Designation /
	meter	1 116 581	Plastic flat spring Dia 15mm Dia15mm
	meter	1 116 582	Plastic flat spring Dia 20mm Dia20mm
	meter	1 116 580	Plastic flat spring Dia 13mm Dia13mm
	meter	1 116 546	Plastic flat spring Dia25-40mm Dia25-40mm

10-Jul-13

Revision : B
M a J :31-Mar-15



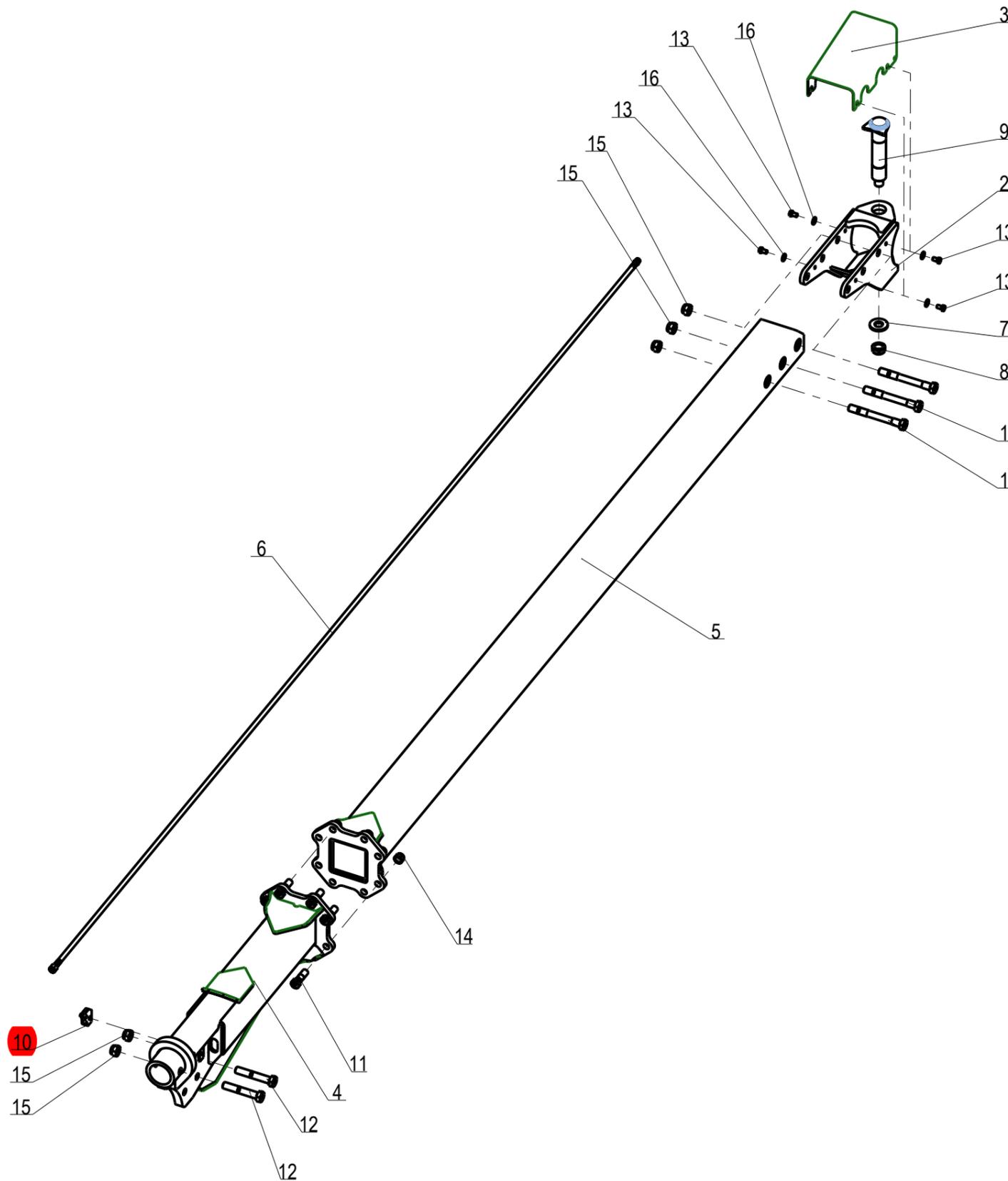
Caisson semi-portée mono-roue en raie et/ou hors raie 6/1000 (Av + 5)
Beam 6/1000, semi-mouted single wheel (Front part+ 5)



Repere	Quantité	Reference	Designation
1	1	1 113 832	Axe Ar verin de largeur Rear axle of the working width cylinder
2	1	1 212 401	Bloc Av. (100/114) --
3	1	1 212 403	Caisson Ar. ; 5 corps 100 Welded rear beam - 5-furrow 100
4	1	1 214 130	Plaque de fermeture Front end plate
5	1	1 233 267	Ecrou frein usine H M30, pas 2.00 ep. : 20 mm Nyloc nut H M30, thread 2.00, 20 mm thick.
6	2	1 233 269	Rondelle plate speciale - 50x70x1 Special flat washer - 50x70x1
7	2	1 233 271	Joint torique - Dia 50x2.5 O-Ring Dia 50x2,5
8	2	1 234 112	Entretoise Dia 35.5 x 50 Lg : 10 Spacer washer 50x35.5x10
9	1	1 292 360	Plaque de fixation du support Support mounting plate
10	1	1 292 362	Bras de réglage d'angle de roue Arm adjustable wheel angle
11	1	1 292 364	Support bras d'angle de roue 100 Renf. Arm support wheel angle reinforced SPML9 100
12	1	1 292 365	Contre plaque Av de sup. angle de roue Renf. Plate against support wheel angle reinforced SMPL9
13	6	122 246	Bague bronze - Dia50x55, lg. : 40 mm Bronze bushing - Dia50x55, lg. : 40 mm
14	12	VI 34 13	Vis H M22x 70 - 8.8 ZNBL, filet /34mm Screw H M22x 70 - 8.8 ZNBL, thread /34mm
15	14	VI 35 33	Vis H M24x250 - 10.9 ZNBL, filet /36 mm Screw H M24x250 - 10.9 ZNBL, thread /36 mm
16	4	VI 46 01	Vis H M22x 40 - 8.8 ZNBL Screw H M22x 40 - 8.8 ZNBL
17	12	VJ 329	Ecrou frein std H M 22- 8 ZNBL Nyloc nut std H M 22- 8 ZNBL
18	14	VJ 331	Ecrou frein std H M 24 - 8 ZNBL Nyloc nut std H M 24 - 8 ZNBL
19	4	VJ 407	Ecrou Hm M22 - 8 ZNBL Nut Hm M22 - 8 ZNBL
20	2	VM 201	Graisseur droit - M8, pas125 Grease nipple - M8, thread125



Barre de stab. semi-portée mono-roue hors raie 1000 (1+6) 4563
Stabilization bar, semi-mounted single wheel (1+6) 4557mm, on-land



Repere	Quantité	Reference	Designation
1	3	1 118 357	Vis H M24x210 - 10.9 ZNBL, filet /36 mm Screw H M24x210 - 10.9 ZNBL, thread /36 mm
2	1	1 212 410	Articulation Ar. de barre de stab Rear articulation of stabilization bar
3	1	1 212 411	Carter Ar. / Barre de stab Rear protection plate / stabilization bar
4	1	1 212 421	Barre de stab Av (Lg:1100) Front stabilization bar (Lg:1100)
5	1	1 212 424	Barre de stab Ar 7/100 (lg : 3463) Rear stabilization bar 7/100 (Lg:3463)
6	1	1 212 433	Flex.Hyd. 5/16 _ Lg:4660mm _ E12-M12 Hydr. hose 5/16 Lg:4660mm E12-M12
7	1	1 233 264	Rondelle plate speciale - 30.5x65, ep. : 7 mm Special flat washer - 30.5x65x7
8	1	1 233 267	Ecrou frein usine H M30, pas 2.00 ep. : 20 mm Nyloc nut H M30, thread 2.00, 20 mm thick.
9	1	1 292 308	Axe Ar. de bras de roue Welded rear axle
10	1	122 358	Collier double 2x16 complet Double hose fixation 2x16 cpl.
11	8	VI 34 13	Vis H M22x 70 - 8.8 ZNBL, filet /34mm Screw H M22x 70 - 8.8 ZNBL, thread /34mm
12	2	VI 35 08	Vis H M24x140 - 8.8 ZNBL Screw H M24x140 - 8.8 ZNBL
13	4	VI 41 02	Vis H M12x 20 - 8.8 ZNBL Screw H M12x 20 - 8.8 ZNBL
14	8	VJ 329	Ecrou frein std H M 22- 8 ZNBL Nyloc nut std H M 22- 8 ZNBL
15	5	VJ 331	Ecrou frein std H M 24 - 8 ZNBL Nyloc nut std H M 24 - 8 ZNBL
16	4	VK 504	Rondelle plate MU12 ZNBL Flat washer MU12 ZNBL

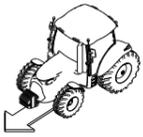
RB 533 103 (1/1)

if need for hydraulic hose protection, order the desired length

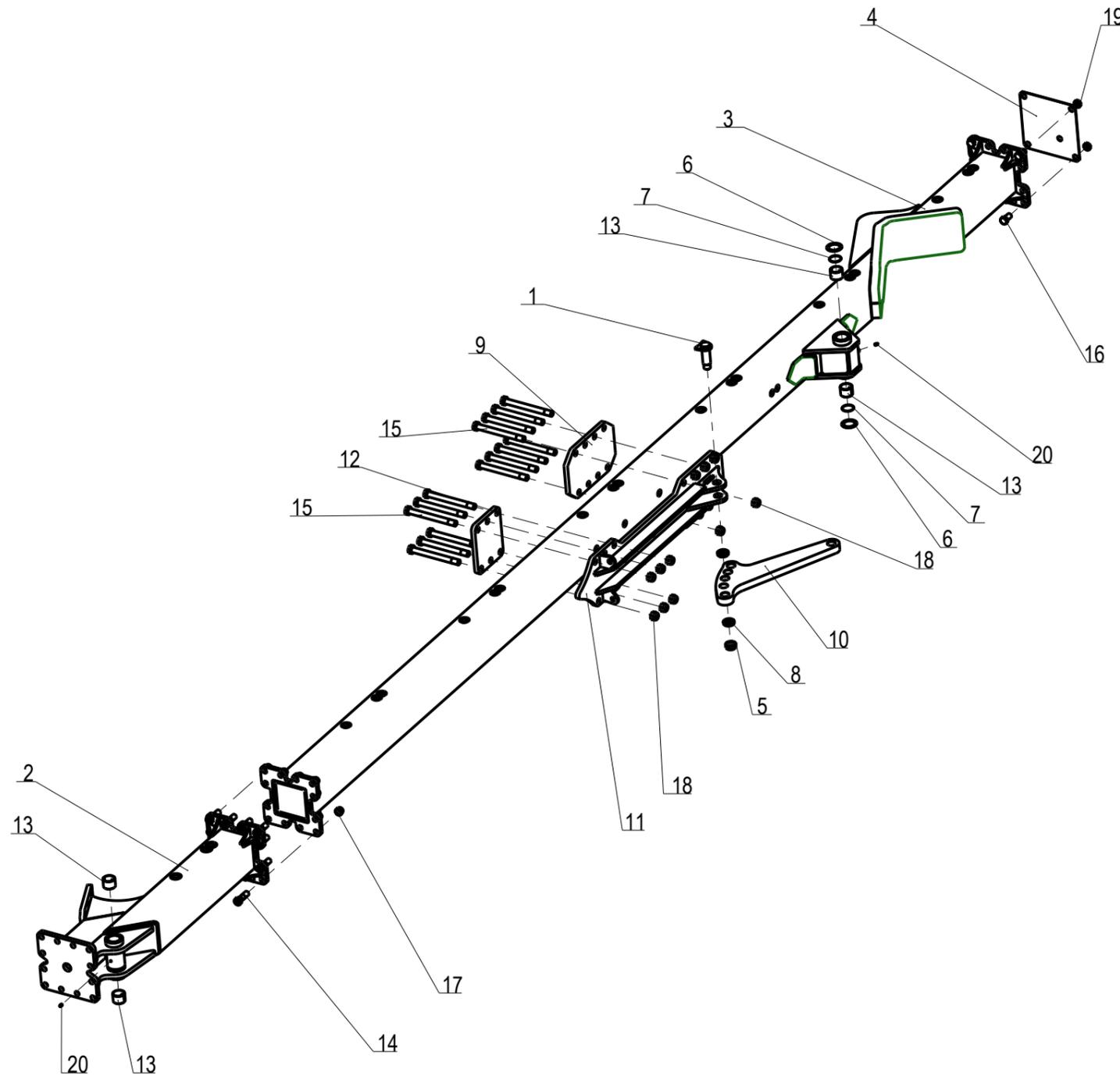
Picture	Qty /	Reference / N°	Designation /
	meter	1 116 581	Plastic flat spring Dia 15mm Dia15mm
	meter	1 116 582	Plastic flat spring Dia 20mm Dia20mm
	meter	1 116 580	Plastic flat spring Dia 13mm Dia13mm
	meter	1 116 546	Plastic flat spring Dia25-40mm Dia25-40mm

10-Jul-13

Revision : B
M a J :31-Mar-15



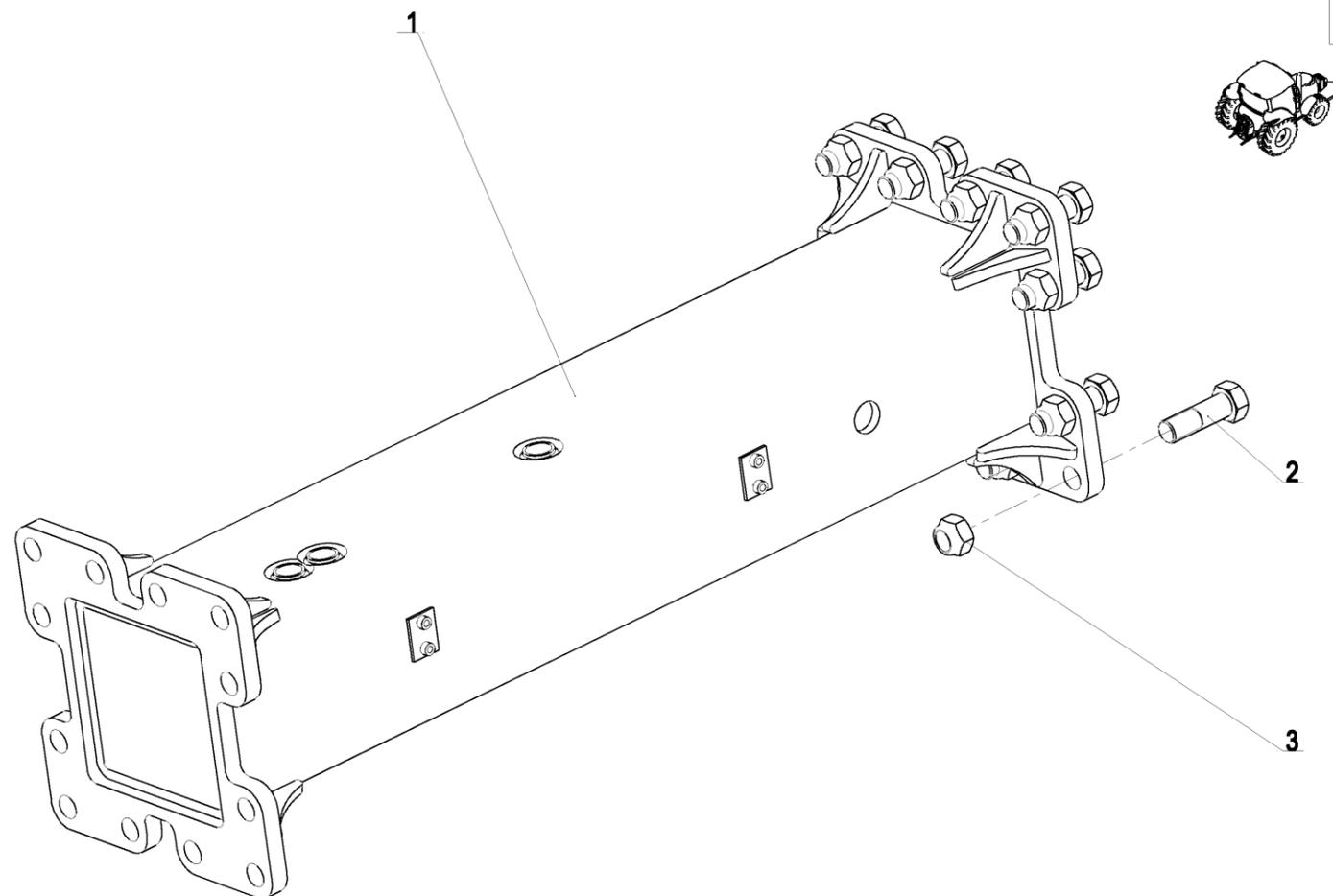
Caisson semi-portée mono-roue hors-raie 7/1000 (Av + 6)
Beam 7/1000, semi-mounted single wheel (front part+6)



Repere	Quantité	Reference	Designation
1	1	1 113 832	Axe Ar verin de largeur Rear axle of the working width cylinder
2	1	1 212 401	Bloc Av. (100/114) --
3	1	1 212 404	Caisson Ar ; 6 corps 100 Welded rear beam - 6-furrow 100
4	1	1 214 130	Plaque de fermeture Front end plate
5	1	1 233 267	Ecrou frein usine H M30, pas 2.00 ep. : 20 mm Nyloc nut H M30, thread 2.00, 20 mm thick.
6	2	1 233 269	Rondelle plate speciale - 50x70x1 Special flat washer - 50x70x1
7	2	1 233 271	Joint torique - Dia 50x2.5 O-Ring Dia 50x2,5
8	2	1 234 112	Entretoise Dia 35.5 x 50 Lg : 10 Spacer washer 50x35.5x10
9	1	1 292 360	Plaque de fixation du support Support mounting plate
10	1	1 292 362	Bras de réglage d'angle de roue Arm adjustable wheel angle
11	1	1 292 364	Support bras d'angle de roue 100 Renf. Arm support wheel angle reinforced SPML9 100
12	1	1 292 365	Contre plaque Av de sup. angle de roue Renf. Plate against support wheel angle reinforced SMPL9
13	6	122 246	Bague bronze - Dia50x55, lg. : 40 mm Bronze bushing - Dia50x55, lg. : 40 mm
14	12	VI 34 13	Vis H M22x 70 - 8.8 ZNBL, filet /34mm Screw H M22x 70 - 8.8 ZNBL, thread /34mm
15	14	VI 35 33	Vis H M24x250 - 10.9 ZNBL, filet /36 mm Screw H M24x250 - 10.9 ZNBL, thread /36 mm
16	4	VI 46 01	Vis H M22x 40 - 8.8 ZNBL Screw H M22x 40 - 8.8 ZNBL
17	12	VJ 329	Ecrou frein std H M 22- 8 ZNBL Nyloc nut std H M 22- 8 ZNBL
18	14	VJ 331	Ecrou frein std H M 24 - 8 ZNBL Nyloc nut std H M 24 - 8 ZNBL
19	4	VJ 407	Ecrou Hm M22 - 8 ZNBL Nut Hm M22 - 8 ZNBL
20	2	VM 201	Graisseur droit - M8, pas125 Grease nipple - M8, thread125

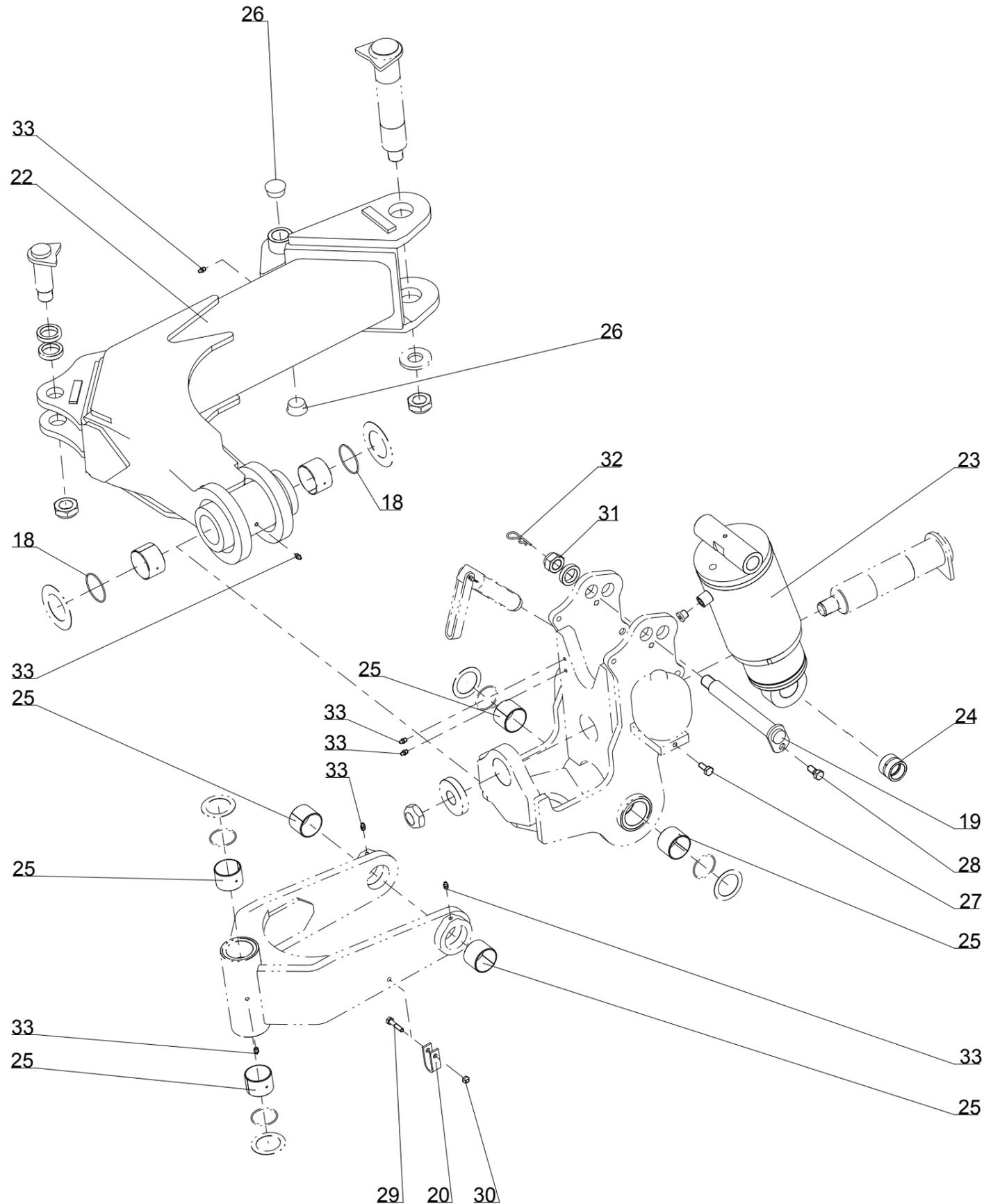
Front / Rear extension 1000
 Переходник AV-AR 1000

<i>Index / Строчка</i>	<i>Qty / Количество</i>	<i>Reference / N° по каталогу</i>	<i>Designation / Наименование</i>
1	1	1 212 405	Extension SPML9 - 100 Дополнительная секция кессона рамы SPML 1000
2	12	VI 34 13	Screw H M22x 70 - 8.8 ZNBL, thread /34mm Болт H M22x 70 - 8.8 ZNBL, резьба /34 мм
3	12	VJ 329	Nyloc nut std H M 22 - thread 250 Гайка с нейлостопором std H M 22 шаг 250





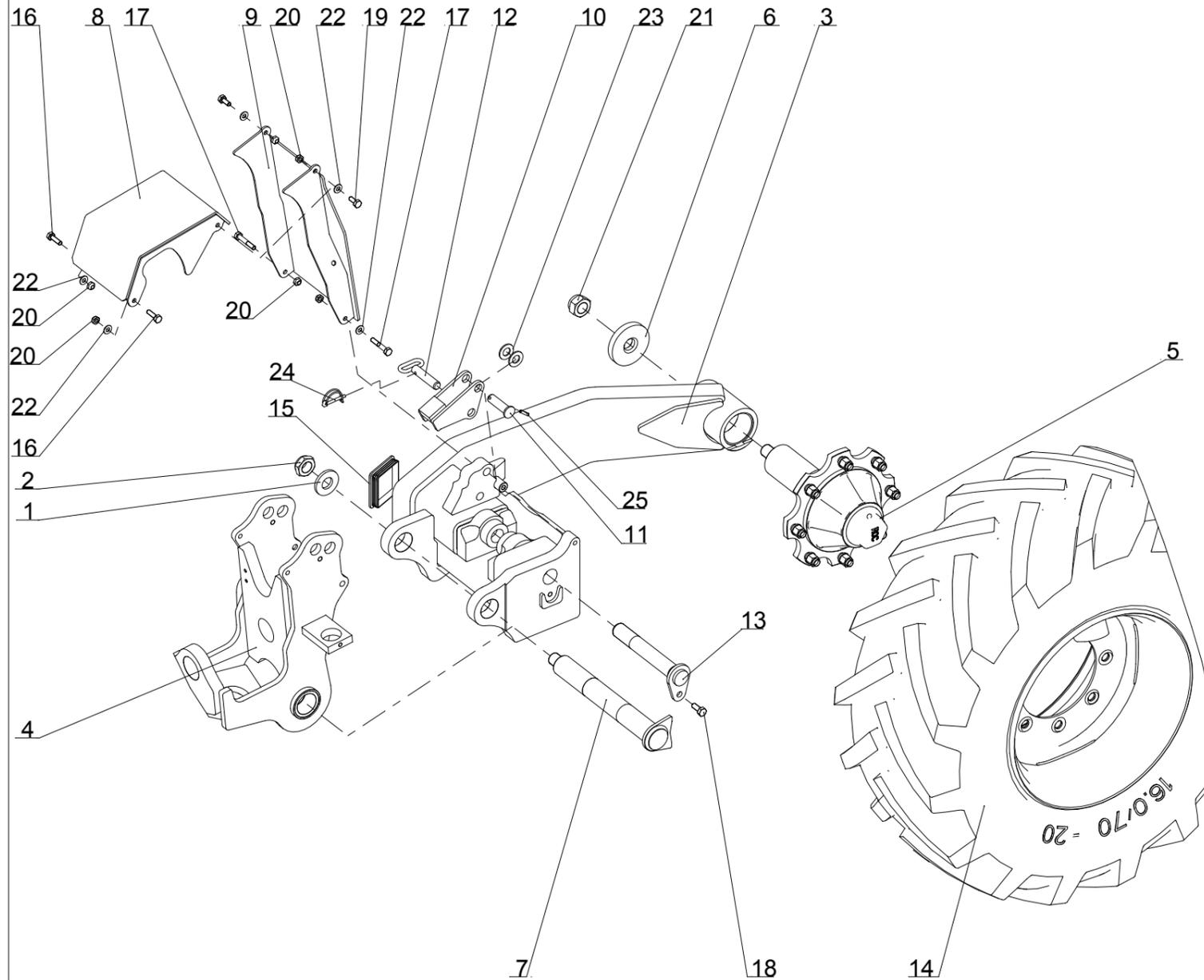
Roue 16.0/70-20 AS504, jante jaune
Wheel 16.0/70-20 AS504, yellow rim



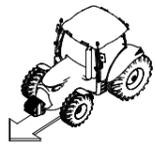
Repere	Quantité	Reference	Designation
18	2	1 292 310	Joint torique 60x2,5 O-ring 60x2,5
19	1	1 292 320	Axe sup du verin de relevage Sup. axle of ram
20	1	1 292 339	Cavalier de flexible roue U for wheel hid. hose
21	1	1 292 342	Kit Hyd. de roue semi-portée mono-roue Hydraulic kit for wheel semi-mounted single wheel
-	1	1 292 354	Kit graissage roue semi-portée mono-roue Grease wheel kit
22	1	1 292 358	Bras de roue Wheel arm
23	1	1 292 371	Vérin SE 125 C125 Ram SA 125 Str.125
24	1	1 292 372	Bague acier Dia35x45 Lg35 Steel bushing 35x45 Lg:35
25	6	122 246	Bague bronze - Dia50x55, lg. : 40 mm Bronze bushing - Dia50x55, lg. : 40 mm
26	2	325 309	Bouchon plastique GPN 350 I 45 Plastic plug Tube D.35
27	1	VI 21 05	Vis H M10x 25 - 8.8 ZNBL, Bout cuvette Screw H M10x 25 - 8.8 ZNBL, cup point
28	1	VI 24 33	Vis H conique M12x22 lg. : 36 classe 8.8 Screw H conical M12x22 lg. : 36
29	1	VI 27 08	Vis H M8x 40 - 8.8 ZNBL Screw H M8x 40 - 8.8 ZNBL
30	1	VJ 320	Ecrou frein std H M 8 - 8 ZNBL Nyloc nut std H M 8 - 8 ZNBL
31	1	VJ 331	Ecrou frein std H M 24 - 8 ZNBL Nyloc nut std H M 24 - 8 ZNBL
32	1	VL 001	Goupille "Beta" - 3, Z R Clip - 3, Z
33	7	VM 201	Graisseur droit - M8, pas125 Grease nipple - M8, thread125



Roue 16.0/70-20 AS504, jante jaune
Wheel 16.0/70-20 AS504, yellow rim

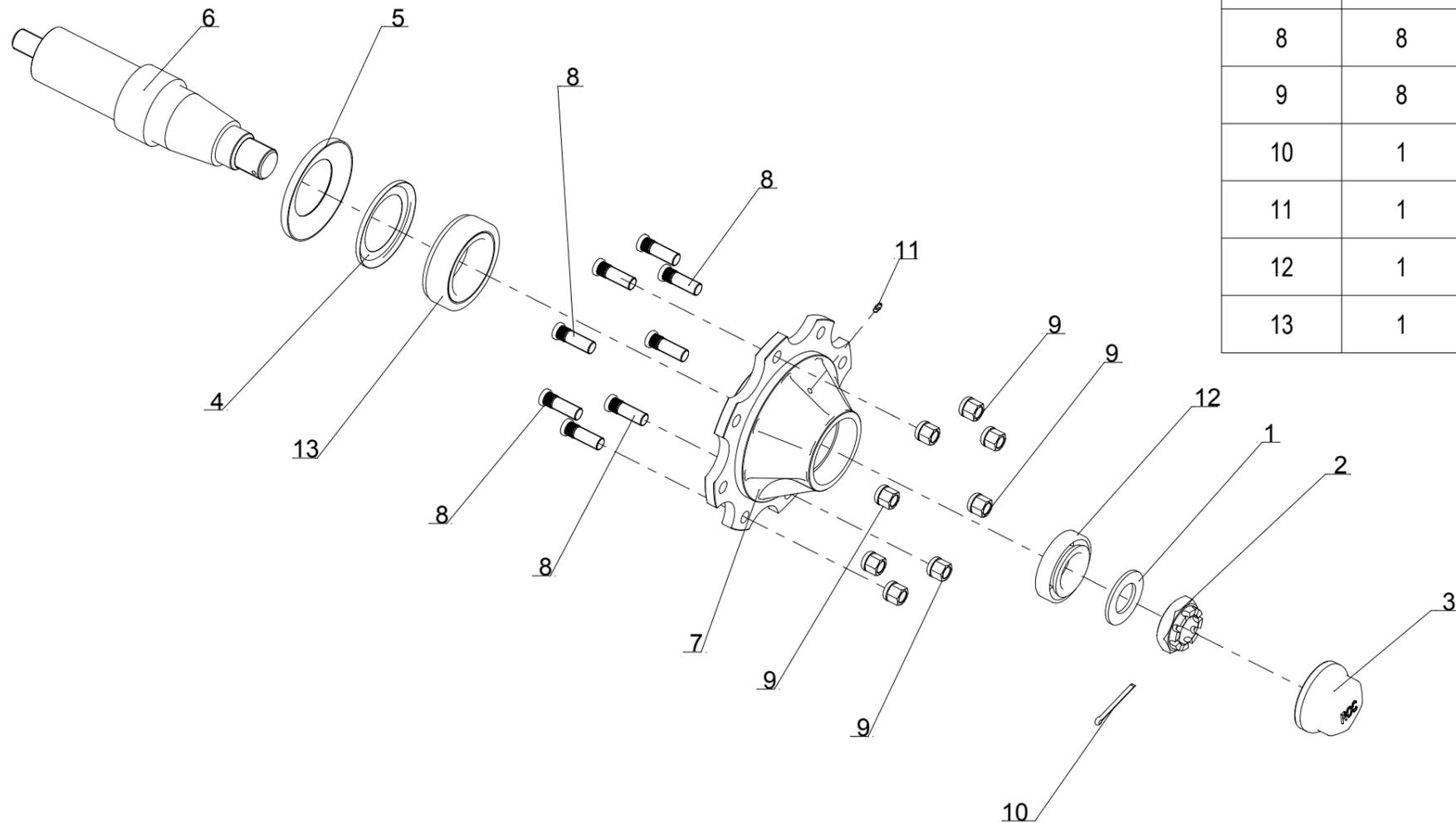


Repere	Quantité	Reference	Designation
1	1	1 233 264	Rondelle plate speciale - 30.5x65, ep. : 7 mm Special flat washer - 30.5x65x7
2	1	1 233 267	Ecrou frein usine H M30, pas 2.00 ep. : 20 mm Nyloc nut H M30, thread 2.00, 20 mm thick.
3	1	1 292 301	Montant de roue Wheel arm
4	1	1 292 302	Bati central / roue Central beam / wheel
5	1	1 292 306	Moyeu complet 8 trous Complete hub 8-holes
6	1	1 292 309	Rondelle de serrage / Moyeu Tightening washer / hub
7	1	1 292 312	Axe de montant de roue Welded axle
8	1	1 292 314	Carter de verin / Roue Ram protection / wheel
9	1	1 292 315	Carter Ar. / Roue Rear protection case / wheel
10	1	1 292 336	Butee de transport / Roue Transport stop / wheel
11	1	1 292 337	Axe de butee de transport / Roue Axle (transport stop) / wheel
12	1	1 292 338	Broche de transp soudee / Roue Welded transport pin / wheel
13	1	1 292 374	Axe Inf. / Verin de relevage Lower axle / Lift ram
14	1	198 734 DY	Roue compl. - 16.0/70-20 TL AS504, 8 trs, Drte tracteur, jante jaune Cplt wheel - 16.0/70-20 TL AS504,8 studs, R.H. tractor, Yellow rim
15	1	325 312	Bouchon plastique Tube 100x100 ep5 Plastic plug Tube 100x100
16	2	VI 28 05	Vis H M10x 35 - 8.8 ZNBL Screw H M10x 35 - 8.8 ZNBL
17	2	VI 28 12	Vis H M10x 60 - 8.8 ZNBL Screw H M10x 60 - 8.8 ZNBL
18	1	VI 29 04	Vis H M12x 30 - 8.8 ZNBL Screw H M12x 30 - 8.8 ZNBL
19	2	VI 40 03	Vis H M10x 25 - 8.8 ZNBL Screw H M10x 25 - 8.8 ZNBL
20	6	VJ 321	Ecrou frein std H M 10 - 8 ZNBL Nyloc nut std H M 10 - 8 ZNBL
21	1	VJ 335	Ecrou frein std H M 30 - 8 ZNBL - pas 200 Nyloc nut std H M 30 - 8 ZNBL - thread 200
22	5	VK 503	Rondelle plate MU10 ZNBL Flat washer MU10 ZNBL
23	2	VK 508	Rondelle plate MU20 ZNBL Flat washer MU20 ZNBL
24	1	VL 107	Goupille "Clips-Tube" - 6, Z Pipe lynch pin - 6 Z
25	1	VL 213	Goupille elastique epaisse - 6x30 mm Thick roll pin - 6x30 mm

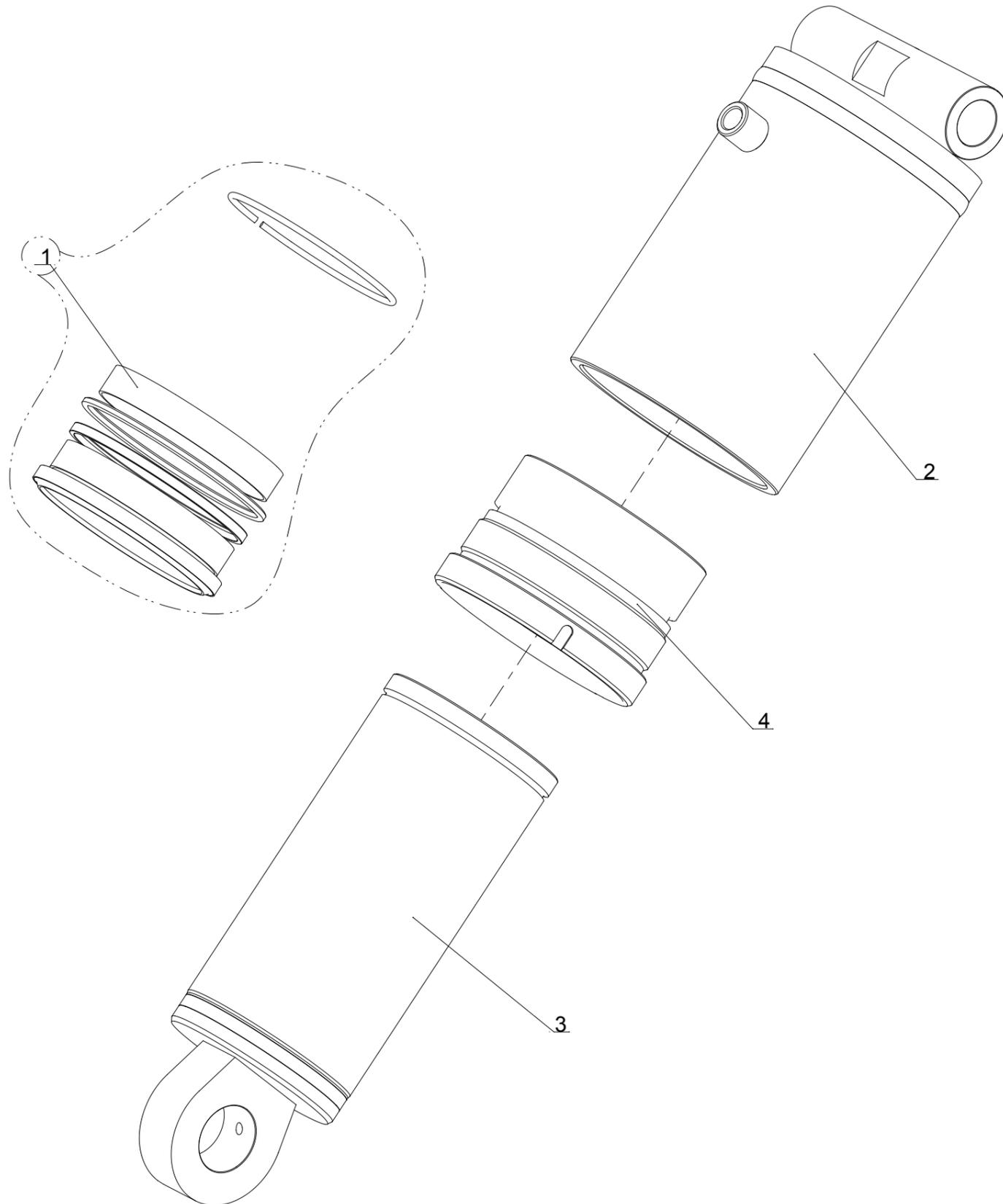


Moyeu complet 8 trous
Complete hub 8-holes

Index	Quantité	Référence	Designation
1	1	1 235 146	Rondelle 45x80 Lg:5 Washer 45x80 Lg:5
2	1	1 235 147	Ecrou HK M 45x 200 - 8 - ZNBL, Ht:28 Nut HK M 45x 200 - 8 - ZNBL, Ht:28
3	1	1 235 148	Bouchon moyeu M101,5x1,5 Wheel hub cap - M101,5x1,5
4	1	1 292 306 A	Joint métallique (908X) Grease retainer (908X)
5	1	1 292 306 B	Coupelle enveloppante (908X)
6	1	1 292 306 C	Fusee moyeu 8trous (908X)
7	1	1 292 378	Moyeu 8 trs usiné (908X) Hub 8-holes (908X)
8	8	12 708	Goujon de roue M18x150 Lg : 54 Fil.40 Wheel stud M18x150 Lg:50
9	8	198 376	Ecrou de goujon - M18, pas 1,50 Wheel nut - M18, thread 1.50
10	1	VL 416	Goupille fendue V 6.3x70 Split pin V 6.3x70
11	1	VM 211	Graisser droit - M6, pas100 Grease nipple - M6, thread100
12	1	VN 32 211	Roulement a rouleaux conique Taper roller bearing
13	1	VN 33 017	Roulement a rouleaux conique Taper roller bearing

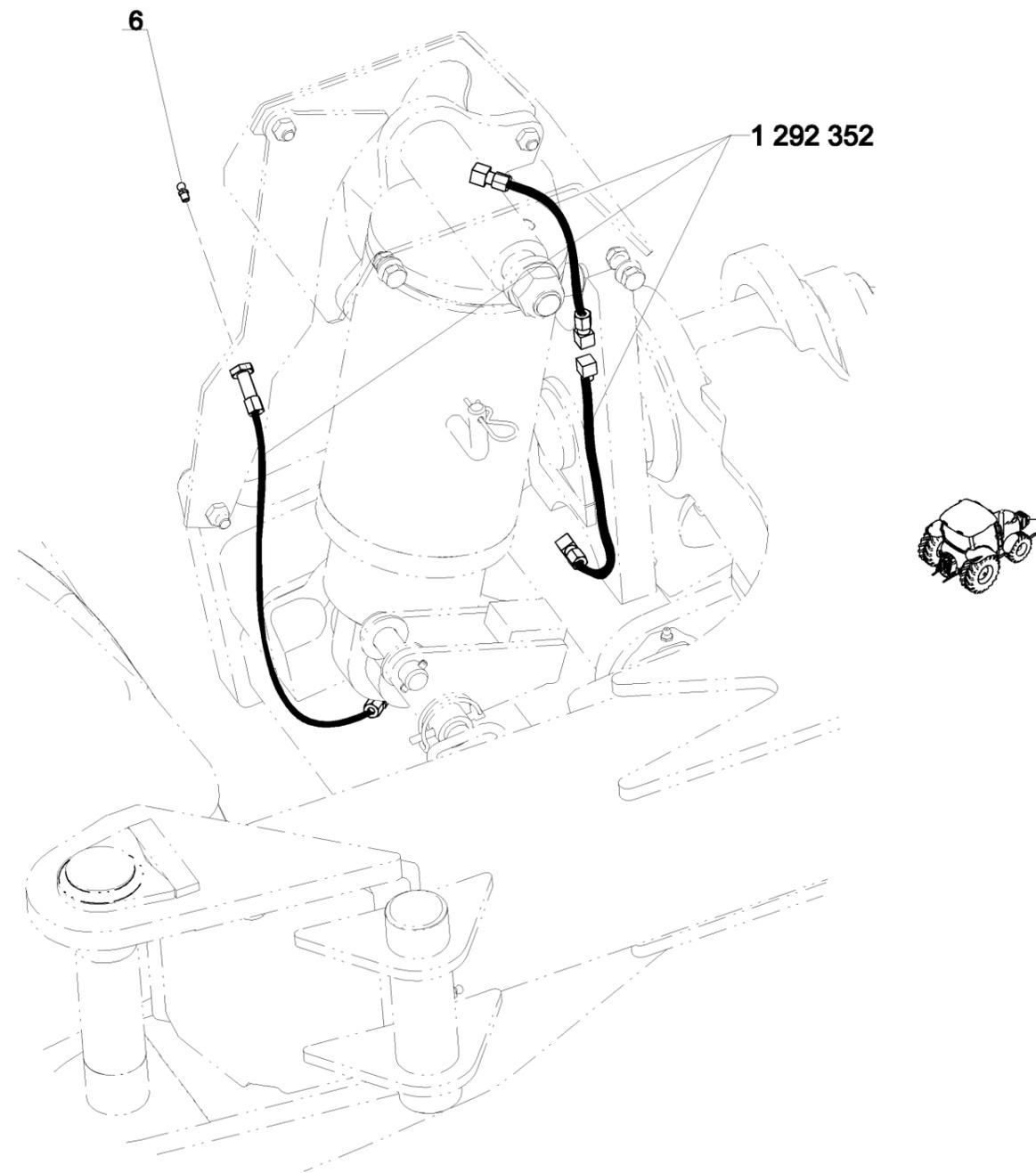


Vérin SE 125 C125
Ram SA 125 Str.125



<i>Index</i>	<i>Quantité</i>	<i>Référence</i>	<i>Designation</i>
1	1	1 233 208	Jeu de joints / 1 292 371 & 1 233 209 Seal kit / 1 292 371 & 1 233 209
2	1	1 292 371 A	Fut verin SE 125 C125 Ram cylinder SA 125 Str.125
3	1	1 292 371 B	Tige verin SE 125 C125 Ram stick SA 125 Str. 125
4	1	1 292 371 D	Guide verin SE 125 Ram stick guide SA 125

Набор смазчик колеса



<i>Index / Справка</i>	<i>Qty / Количество</i>	<i>Reference / N° по каталогу</i>	<i>Designation / Наименование</i>
1	5	1 292 349	Оттиб Måle 6+Måle M8x1,25Co
2	5	1 292 350	Nut for steel tube Dia6 Гайка Dia6 (для провода стального)
3	5	1 292 351	Press ring for tube 6 Насадок на гидрошланг 6
4	3	1 292 352	Шланг для смазки 3x6
5	1	1 292 353	Доп. смазчик PASSE CLOISON
6	1	VM 211	Grease nipple - M6, thread100 Смазчик саморез 6/100



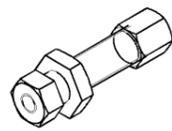
1 292 349



1 292 350



1 292 351



1 292 353

1 292 354 (1/1)

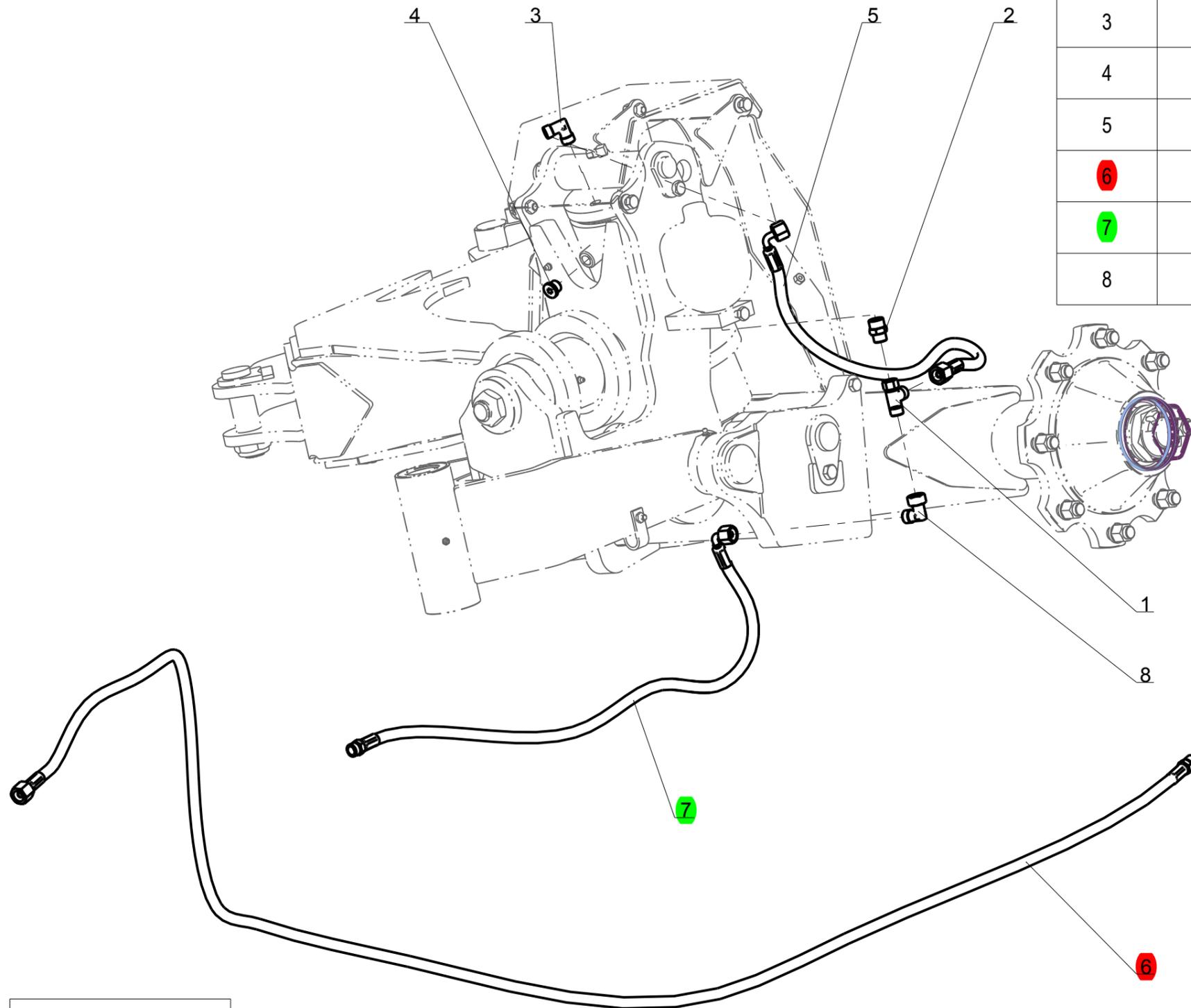
11-Jul-13

Revision : A
M a J :



Kit Hyd. de roue semi-portée mono-roue
Hydraulic kit for wheel semi-mounted single wheel

Repere	Quantité	Reference	Designation
1	1	1 112 972	Te adaptable renverse 2 M12 + F12 Hydraulic 'T' - 2 M12 + F12
2	1	1 116 509	Union nu male12 + male1/2 Cyl Union M12 + M1/2 Cyl
3	1	1 116 521	Coude nu M12 + M3/8 Co Hydraulic elbow M12 + M3/8 Co
4	1	1 122 756	Bouchon male 3/8 Cyl Stop end male 3/8 Cyl
5	1	1 223 136	Flex Hyd 5/16 L750 E12-E12 90° Hydraulic hose 5/16 Lg:750 F12-F12 90°
6	1	1 292 169	Flex. Hyd. 5/16" - Lg:3830 E12-MVA18 Hydraulic hose - Dia 5/16", lg. : 3830 mm, F12-MVA18
7	1	1 292 343	Flex Hyd 5/16 L950 M12-E12 90° Hydraulic hose 5/16 Lg:950 M12-F12 90°
8	1	122 315	Coude adaptable ecrou 12 + male 12 Hydraulic adaptable elbow F12 + M12

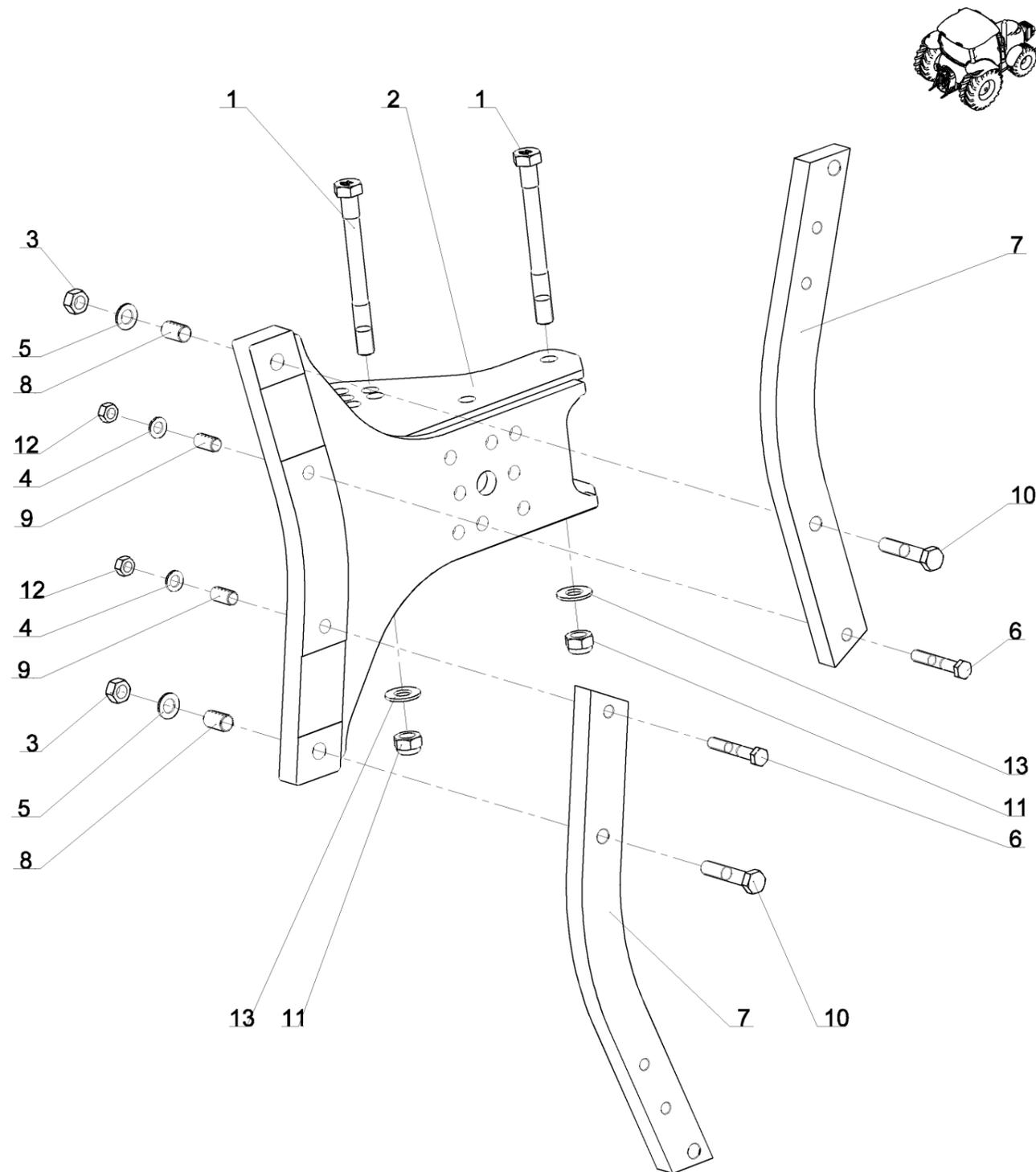


1 292 342 (1/1)

if need for hydraulic hose protection, order the desired length

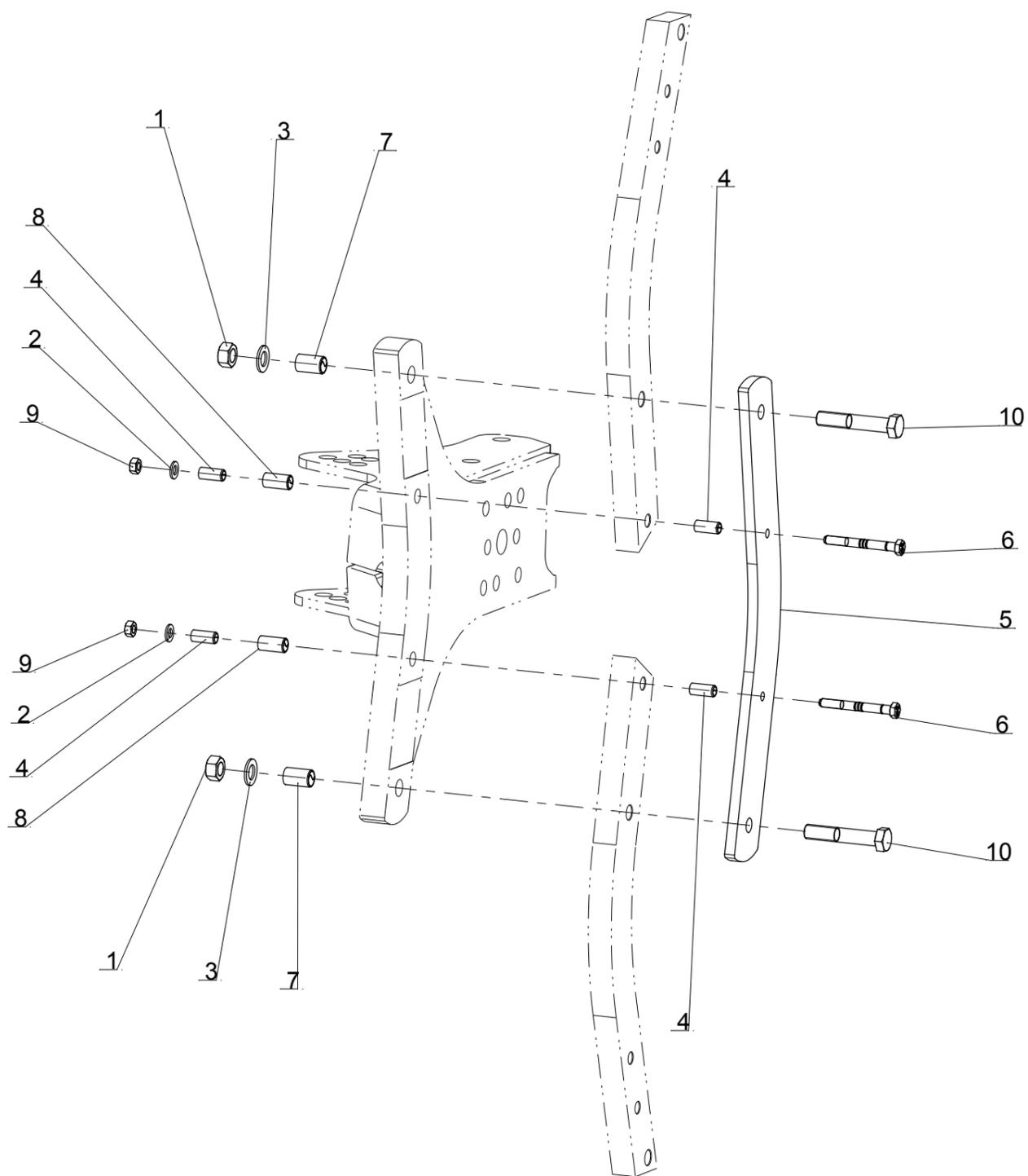
Picture	Qty /	Reference / N°	Designation /
	meter	1 116 581	Plastic flat spring Dia 15mm Dia15mm
	meter	1 116 582	Plastic flat spring Dia 20mm Dia20mm
	meter	1 116 580	Plastic flat spring Dia 13mm Dia13mm
	meter	1 116 546	Plastic flat spring Dia25-40mm Dia25-40mm

Shearbolt protection Защита срезным болтом



<i>Index / Справка</i>	<i>Qty / Количество</i>	<i>Reference / N° по каталогу</i>	<i>Designation / Наименование</i>
1	2	1 118 358	Screw H M24x240 - 10.9 ZNBL, thread /36 mm Болт H M24x240 - 10.9 ZNBL, резьба /36 mm
2	1	1 118 468	Element support Komoran Башмак грядила Komoran
3	2	10 654	Nut std H M20 - thread 150 ZNBL Гайка станд. вороненная std H M20x150 - ZNBL
4	2	125DA17A	Washer A 17 ISO7089 Zinc. Шайба A 17 ISO7089 Zinc.
5	2	125DA21A	Washer A 21 ISO7089 Zinc. Шайба A 21 ISO7089 Zinc.
6	2	7001.24.00	Hex. Screw M16x1.5x100 with Notche Болт M16x1.5x100 со срезными канавками.
7	2	7010.03.01	Leg RH 800, 70x35 Стойка RH 800, 70x35
8	2	7010.03.02	Steel bushing Ø 24 x 20 x 38 Втулка стальная Ø 24 x 20 x 38
9	2	7010.03.03	Steel bushing Ø 20 x 16 x 38 Втулка стальная Ø 20 x 16 x 38
10	2	VI 33 39	Screw H M20x100 - 12.9 Black DIN960, thread150 Болт H M20x100 - 12.9 DIN960, шаг150
11	2	VJ 331	Nyloc nut std H M 24 - thread 300 Гайка с нейлостопором std H M 24 шаг 300
12	2	VJ 638	Nut std H M16 - thread 150 ZNBL Гайка станд. вороненная std H M16x150 - ZNBL
13	2	VK 510	Flat washer medium MU24 Прокладка плоская средняя M 24 U

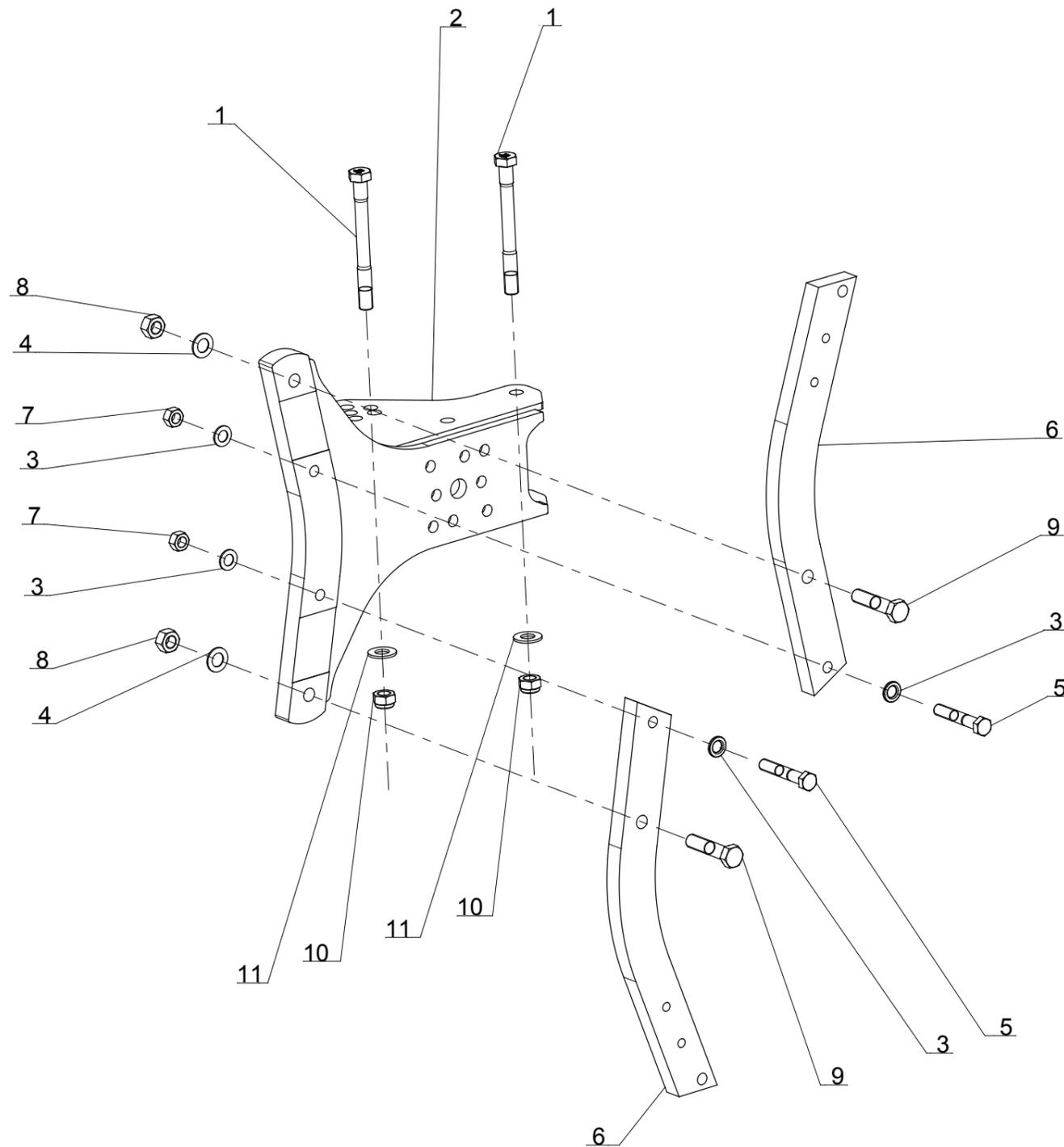
Kit montage tendille renforcée
Assembly reinforced leg



Repere	Quantité	Reference	Designation
1	2	10 654	Ecrou HU M20 - 10 ZNBL Nut HU M20 - 10 ZNBL
2	2	125DA13A	Rondelle A 13 ISO7089 ZNBL Washer A 13 ISO7089 ZNBL
3	2	125DA21A	Rondelle A 21 ISO7089 ZNBL Washer A 21 ISO7089 ZNBL
4	4	4789.05.09	Bagues acier Ø 16 x 12 x 35 Steel bushing Ø 16 x 12 x 35
5	1	4805.01.85	Chape fixation pour renforcement sécurité Fixation bracket, safety reinforcement
6	2	4805.01.86	Vis HM12x110 rainurée 12.9 Screw HM12x110 grooved 12.9
7	2	7010.03.02	Bagues acier Ø 24 x 20 x 38 Steel bushing Ø 24 x 20 x 38
8	2	7010.03.03	Bagues acier Ø 20 x 16 x 38 Steel bushing Ø 20 x 16 x 38
9	2	934D12NA	Ecrou std H M12 - pas 175 Zingue Nut std H M12 - thread 175 Zingue
10	2	960D2015110NA	Vis hex. M20x1.5x110 ZNBL Hex. Screw M20x1.5x110 ZNBL

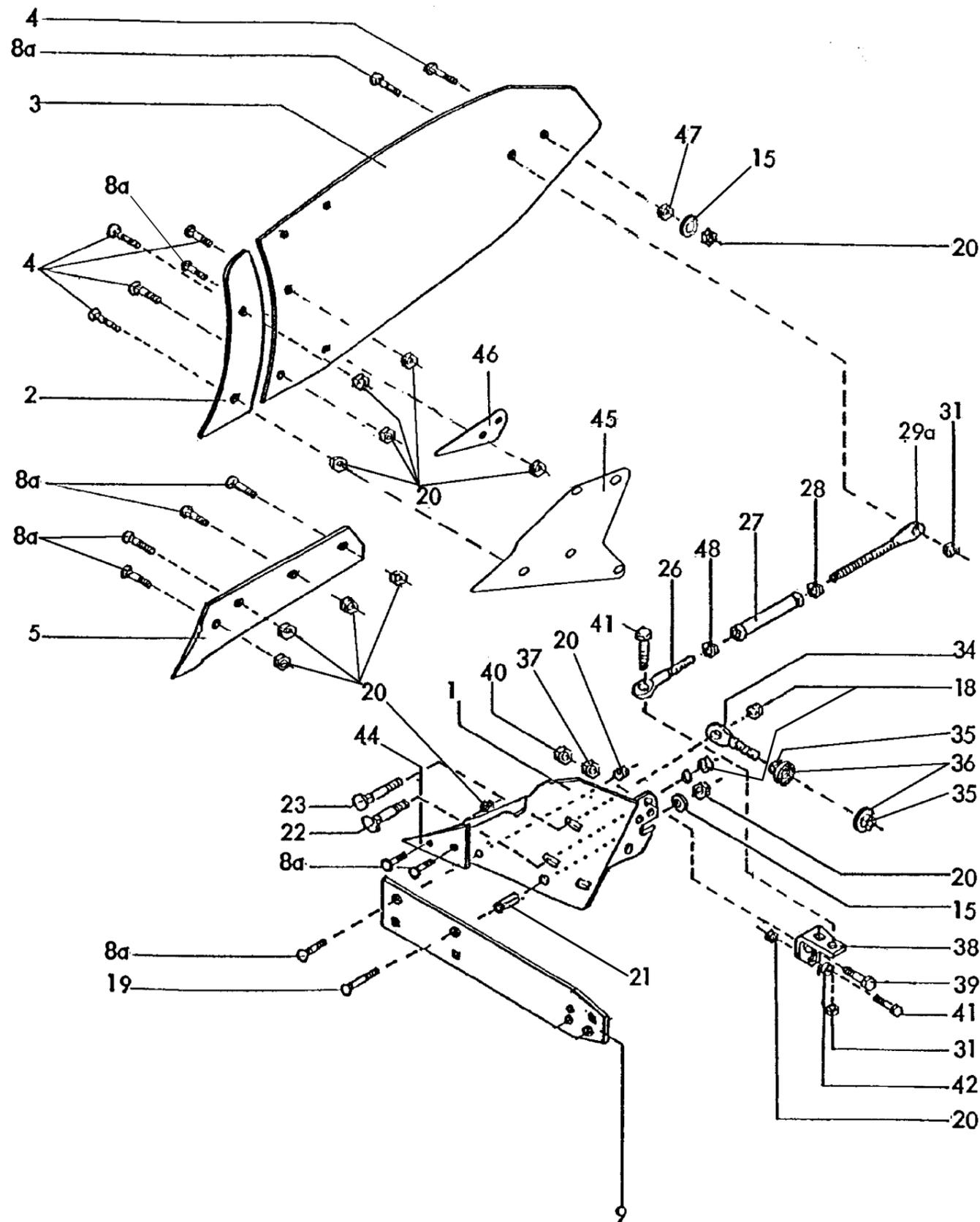


Sécurité boulon cisailement 80
Shearbolt protection 80



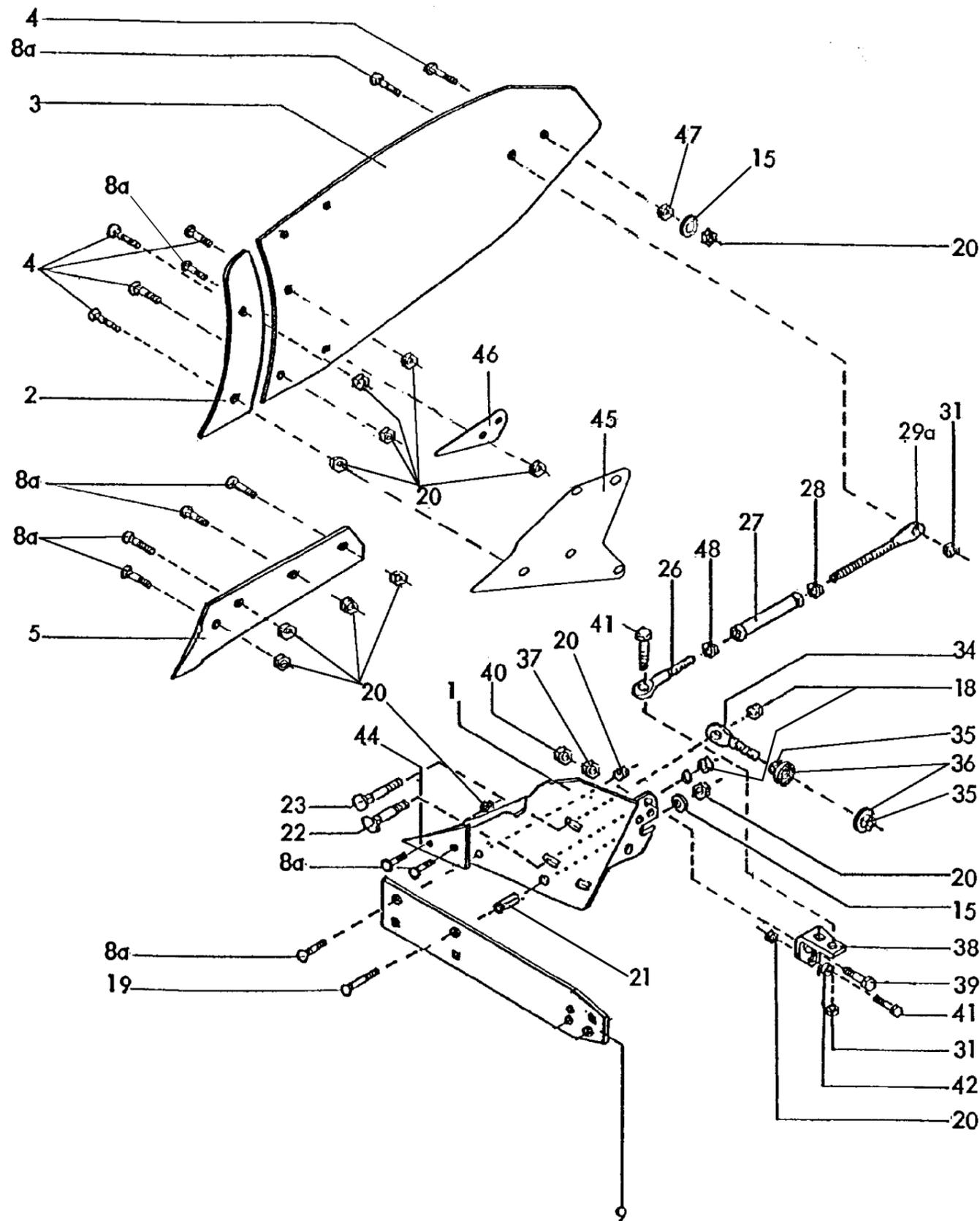
Repere	Quantité	Reference	Designation
1	2	1 118 358	Vis H M24x240 - 10.9 ZNBL, filet /36 mm Screw H M24x240 - 10.9 ZNBL, thread /36 mm
2	1	1 118 468	Support sécurité console
3	4	6916D21A	Rondelle 21 Z Washer 21 Z
4	2	6916D25A	Rondelle 25 EN14399-6 Z Washer 25 EN14399-6 Z
5	2	7002.10.00	Vis Hex. M20x1.5x120 avec entaille Hex. Screw M20x1.5x120 with Notche
6	2	7010.12.01	Etançon RH 800, 80x35 Leg RH 800, 80x35
7	2	934D2015PA	Ecrou std H M20 - pas 150 Zingue Nut std H M20 - thread 150 Zingue
8	2	934D2415NA	Ecrou std H M24 - pas 150 Zingue Nut std H M24 - thread 150 Zingue
9	2	VI 35 42	Vis H M24x110 - 10.9 ZNBL DIN960, pas150 Screw H M24x110 - 10.9 ZNBL DIN960 thread150
10	2	VJ 331	Ecrou frein std H M 24 - 8 ZNBL Nyloc nut std H M 24 - 8 ZNBL
11	2	VK 510	Rondelle plate MU24 ZNBL Flat washer MU24 ZNBL

Plain Body Сплошной корпус



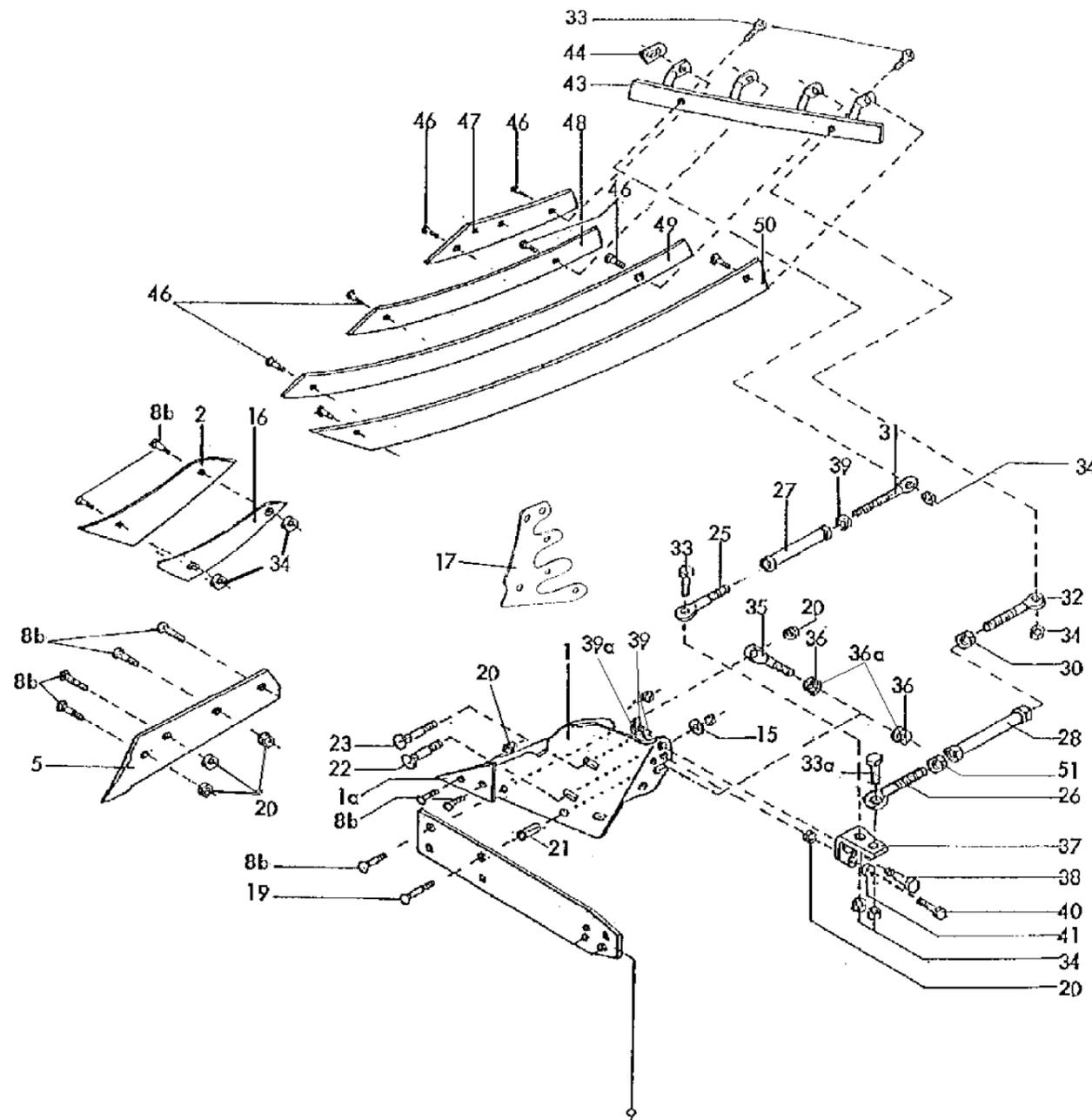
Index / Справка	Reference / № по каталогу	Qty / Количество	Designation / Наименование
1	2751.01.01	1	Frog R.H. Башмак Прав. ВР-351 W
	2751.01.02	1	Frog L.H. Башмак Лев. ВР-351 WL
2	2751.05.01	1	Shin R.H. Грудь отвала Прав. VRP-350 W
	2751.05.02	1	Shin L.H. Грудь отвала Лев. VRP-350 WL
3	2751.04.01	1	Mouldboard R.H. Отвал Прав. HRP-350 W
	2751.04.02	1	Mouldboard L.H. Отвал Лев. HRP-350 WL
4	2700.26.03	10	C sunk screw M12x30-10.9 4kt. С Болт с потайной головкой M12x30-10.9 4kt.
5	2751.30.01	1	Share R.H. Плазма Лемех Пр.
	2751.30.02	1	Share L.H. Плазма Лемех Лев.
8a	2700.26.05	18	C sunk screw M12x35-10.9 4kt. С болт с потайной головкой M12x35-10.9 4kt.
9	2751.03.05	2	Long landside Полевая доска длинная WP-351 W
15	6436.60.03	4	Steel Washer C-13 Шайба C-13
18	934D16PA	4	Hex. nut M16 Шестигранная гайка M16
19	2700.26.14	2	C sunk screw M12x75-12.6 С Болт с потайной головкой M12x75-12.6
20	934D12M	30	Hex. nut M12 DIN934-12.9 Шестигранная гайка M12 DIN934-12.9
21	1481D2145	2	Dowel pin 21x45 DIN1481 Пружинный штифт 21x45 DIN1481
22	2204.49.08	2	Bolt M16X75-10.9 Болт M16X75-10.9
23	2204.49.05	2	Bolt M16X65-10.9 Болт M16X65-10.9
26	2701.01.01	2	Eyebolt Стяжная винтовая муфта

Plain Body Сплошной корпус



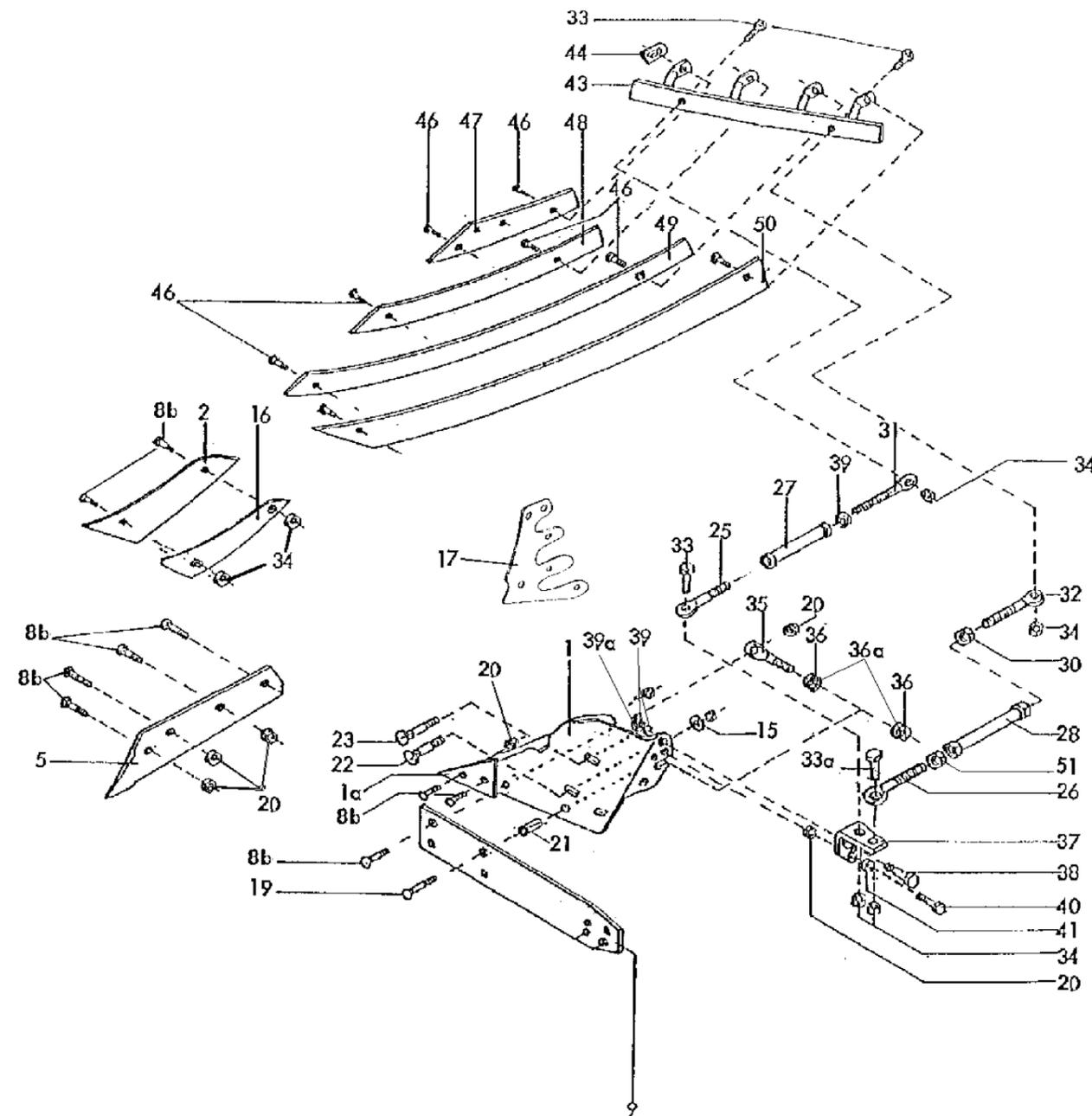
Index / Справка	Reference / № по каталогу	Qty / Количество	Designation / Наименование
27	2701.03.00	2	Turnbuckle nut L=190 mm Гайка винтовой муфты
28	934D24P	2	Hex. nut M24 DIN934-8 Шестигранная гайка M24 DIN934-8
29a	2701.02.01	2	Eyebolt Рым-болт Пр.
31	980DV12NA	4	Lock nut VM12 DIN980-10 verz. Стопорная гайка VM12 DIN980-10 verz.
34	2720.07.01	2	Adjusting screw M20 Регулировочный болт M20. Внутр.Ø16
35	934D20N	4	Hex. nut M20 DIN934-10 Шестигранная гайка M20 DIN934-10
36	2720.11.01	4	Washer 20 M Шайба 20 M
37	127DB20A	2	Springwasher B20 DIN127 verz. Пружинная шайба B20 DIN127 verz.
38	2720.06.05	1	Bracket R.H. Кронштейн Пр.
	2720.06.06	1	Bracket L.H. Кронштейн Лев.
39	933D2045P	2	Hex. bolt M20x45 DIN933-8.8 Шестигранный болт M20x45 DIN933-8.8
40	934D20P	2	Hex. nut M20 DIN934-8 Шестигранная гайка M20 DIN934-8
41	933D1240N	4	Hex. bolt M12x40 DIN933-10.9 Шестигранный болт M12x40 DIN933-10.9
42	126D14	2	Washer 14 DIN126 Шайба 14 DIN126
44	2751.02.05	2	Bolt-on point Долото на болтовом креплении YP-350 W
45	2751.20.00	4	Cardboard Shim
46	2751.00.01	2	Steel Shim
47	2720.05.00	2	Cardboard Washer (shim) Шайба
48	934D24PL	2	Hex. Nut M24 Left Шестигранная гайка M24 лв

Slatted Body Перьевого отвала



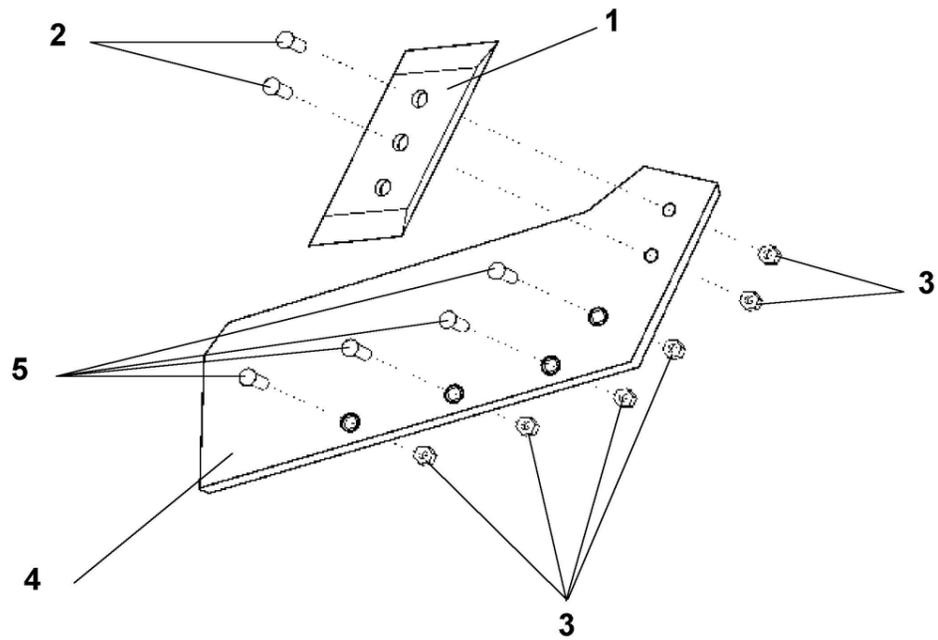
Index / Справка	Qty / Количество	Reference / N° по каталогу	Designation / Наименование
1	2751.01.01	1	Frog R.H. Башмак Прав. ВР-351 W
	2751.01.02	1	Frog L.H. Башмак Лев. ВР-351 WL
1a	2751.02.05	2	Bolt-on point Долото на болтовом креплении YP-350 W
2	2751.05.01	1	Shin R.H. Отвал Пр.
	2751.05.02	1	Shin L.H. Отвал Лев.
5	2751.30.01	1	Share R.H. Плазма лемех Пр.
	2751.30.02	1	Share L.H. Плазма лемех Лев.
8b	2700.26.05	18	C sunk screw M12x35-10.9 4kt. Болт с потайной головкой M12x35-10.9 4kt.
9	2751.03.05	2	Long landside Полевая доска Длинная WP-351 W
15	6436.60.03	2	Washer C13 Шайба C13
16	2755.05.01	2	Cardboard Shim
17	2751.20.00	2	Cardboard Shim
19	2700.26.14	2	C sunk screw M12x75-12.6 С Болт с потайной головкой M12x75-12.6
20	934D12M	20	Hex. nut M12 ISO4032-12.9 Шестигранная гайка M12 ISO4032-12.9
21	1481D2145	2	Dowel Pin 21x45 DIN1481 Пружинный штифт 21x45 DIN1481
22	2204.49.08	2	Bolt M16x75-10.9 Болт M16x75-10.9
23	2204.49.05	2	Bolt M16x65-10.9 Болт M16x65-10.9
23a	934D16PA	4	Hex. nut M16 ISO4032-8 verz. Шестигранная гайка M16 ISO4032-8 verz.
25	2700.17.02	2	Eyebolt I.h. Рым болт Лев.
26	2701.01.01	2	Eyebolt I.h. Рым болт Лев.
27	2700.20.00	2	Turnbuckle nut Lg:190mm Гайка винтовой стяжки L=190 мм
28	2701.03.10	2	Turnbuckle nut Lg:250mm Гайка винтовой стяжки L=250 мм
30	936D24P	2	Hex. nut M24 DIN936-8 Шестигранная гайка M24 DIN936-8
31	2700.17.01	2	Eyebolt Рым болт Пр.
32	2701.02.01	2	Eyebolt Рым болт Пр.

Slatted Body Перьевой отвал

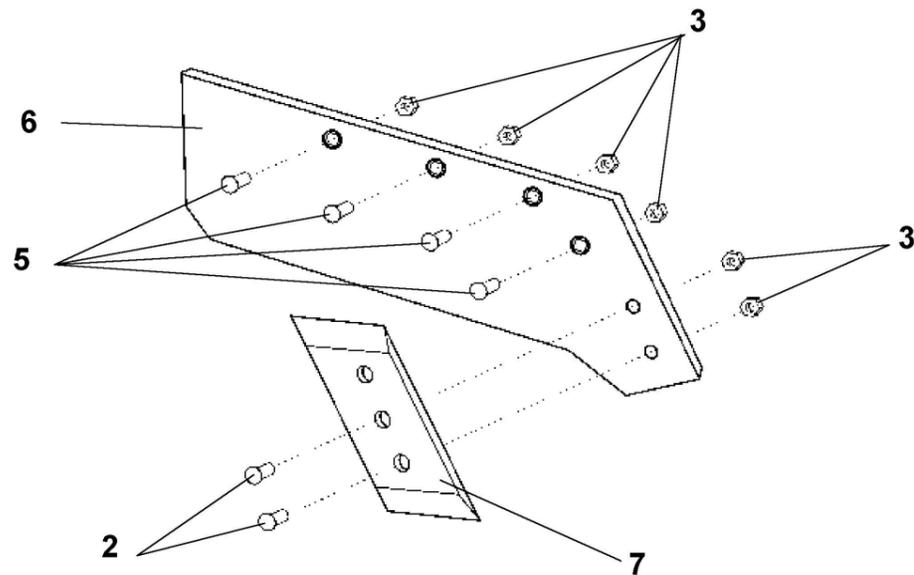


Index / Справка	Qty / Количество	Reference / N° по каталогу	Designation / Наименование
33	933D1245N	2	Hex. bolt M12x45 ISO4017-10.9 Шестигранный болт M12x45 ISO4017-10.9
34	980DV12NA	26	Lock nut VM12 ISO7042-10 vz. Стопорная гайка VM12 ISO7042-10 vz.
35	2720.07.01	2	Adjusting screw Регулировочный винт M 20 Внутр. Ø16
36	934D20N	4	Hex. nut M20 ISO4032-10 Шестигранная гайка M20 ISO4032-10.
36a	2720.11.01	4	Washer 20 M Шайба 20 M
37	2720.06.05	1	Bracket R.H. Кронштейн Пр.
	2720.06.06	1	Bracket L.H. Кронштейн Лев.
38	933D2045P	2	Hex. bolt M20x45 ISO4017-8.8 Шестигранный болт M20x45 ISO4017-8.8
39	934D20PA	4	Hex. nut M20 ISO4032-8 vz. Шестигранная гайка M20 ISO4032-8 vz.
39a	127DB20A	4	Springwasher B20 DIN127 vz. Пружинная шайба B20 DIN127 vz.
40	933D1240P	8	Hex. bolt M12x40 ISO4017-8.8 Шестигранный болт M12x40 ISO4017-8.8
41	126D14	2	Washer 14 ISO7091 Шайба 14 ISO7091
43	2755.06.01	1	Strut R.H. Опора-кронштейн Пр.
	2755.06.02	1	Strut L.H. Опора-кронштейн Лев.
44	2731.07.00	8	Washer T=2.5 mm Шайба T=2.5 мм
46	2700.41.14	16	Special bolt M12x40-12.9 Болт M12x40 -12.9
47	2755.01.01	1	Slat R.H. 1 Полоса Пр. 1
	2755.01.02	1	Slat L.H. 1 Полоса Лев. 1
48	2755.02.01	1	Slat R.H. 2 Полоса Пр. 2
	2755.02.02	1	Slat L.H. 2 Полоса Лев. 2
49	2755.03.01	1	Slat R.H. 3 Полоса Пр. 3
	2755.03.02	1	Slat L.H. 3 Полоса Лев. 3
50	2755.07.01	1	Slat R.H. 4 Полоса Пр. 4
	2755.07.02	1	Slat L.H. 4 Полоса Лев. 4
51	936D24PL	2	Hex. nut M24 DIN936-8 Left Шестигранная гайка M24 DIN936-8 лв

Option Share + Point вариант Лемех + Долото



Index / Справка	Reference / N° по каталогу	Qty / Количество	Designation / Наименование
1	2751.09.02	1	Reversible point WP-350 L, L.H. Долото съемное WP-350 L, лв
2	2700.41.14	4	Conical screw M12x40 12.9 Болт конический M12x40 12.9
3	934D12M	12	Hex. nut M12 DIN934-12.9 Шестигранная гайка M12 DIN934-12.9
4	2751.22.02	1	Share SSP-350WSE, L.H. Лемех лв
5	2700.26.05	8	C sunk screw M12x35-10,9 4kt. С болт с потайной головкой M12x35-10,9 4kt.
6	2751.22.01	1	Share SSP-350WSE, R.H. Лемех В3 16" пр
7	2751.09.01	1	Reversible point WP-350, R.H. Долото съемное WP-350 L, пр

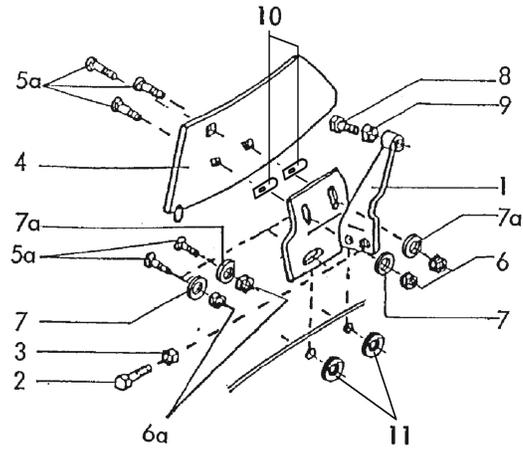


Option body О П Ц И И Т Е Л А

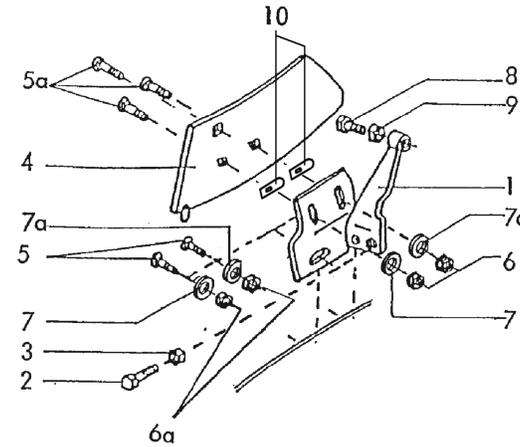
Body / Корпус 351W

Trashboard / У г л о с н и м

Body / Корпус 351WS



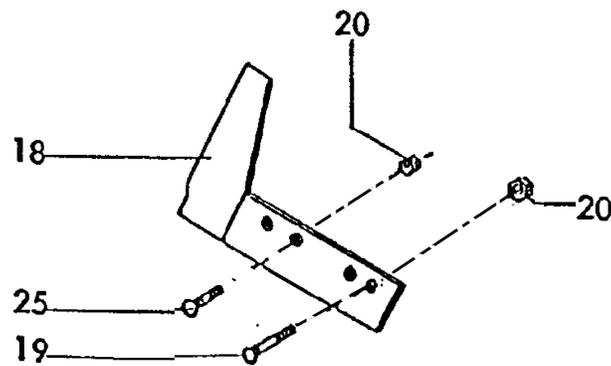
Index / Справка	Reference / N° по каталогу	Qty / Количество	Designation / Наименование
	G2729/003		Trashboard DG51 U with EBP-4 R.H. Угლოსним DG51 U с EBP-4 Прав.
	G2729/004		Trashboard DG51 U with EBP-4 L.H. Угლოსним DG51 U с EBP-4 Лев.
1	2729.07.01	1	Adjust.plate R.H. Регулировочная пластина Прав.
1	2729.07.02	1	Adjust.plate L.H. Регулировочная пластина Лев.
2	VI 28 30	1	Hex. Screw M16x60 ISO4017-8,8 Шестигранный болт M16x60 ISO4017-8,8
3	936D16P	1	Hex. nut M16 DIN936-8 Шестигранная гайка M16 DIN936-8
4	2729.01.01	1	Mouldboard R.H. Отвал Пр.
4	2729.01.02	1	Mouldboard L.H. Отвал Лев.
5a	2700.26.05	5	C sunk screw M12x35-10,9 4kt. С Болт с потайной головкой M12x35-10,9 4kt.
6	934D12M	3	Hex. nut M12 ISO4032-10 Шестигранная гайка M12 ISO4032-10
6a	980DV12M	2	Lock nut VM12 ISO7042-12 Стопорная гайка VM12 ISO7042-12
7a	6437.00.01	2	Washer C-13/43,5 C-132 Шайба C-13/43,5 C-132
7	6436.60.03	3	Washer C-13/43,5 C-13 Шайба C-13/43,5 C-13
8	VI 28 24	1	Hex. Screw M10x50 ISO4017 Шестигранный болт M10x50 ISO4017
9	934D10PA	1	Hex. nut M10 ISO4032-8 verz. Шестигранная гайка M10 ISO4032-8 verz.
10	2731.07.00	2	Cardboard 2,5 thick картонные диски 2,5
11	2720.05.00	2	Cardboard D45 картонные диски D45



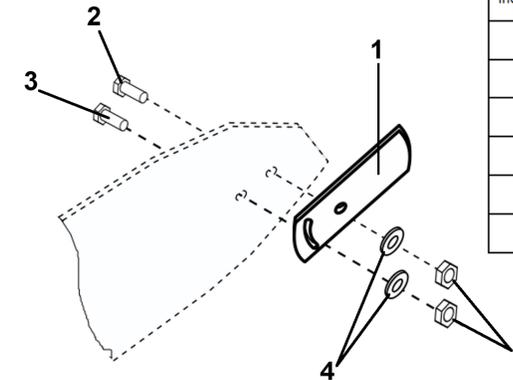
Index / Справка	Reference / N° по каталогу	Qty / Количество	Designation / Наименование
	G2729/018		Trashboard DG51 U with EBP-4 R.H. Угლოსним DG51 U с EBP-4 Прав.
	G2729/019		Trashboard DG51 U with EBP-4 L.H. Угლოსним DG51 U с EBP-4 Лев.
1	2729.07.01	1	Adjust.plate R.H. Регулировочная пластина Прав.
1	2729.07.02	1	Adjust.plate L.H. Регулировочная пластина Лев.
2	VI 28 30	1	Hex. bolt M16x60 ISO4017-8,8 Шестигранный болт M16x60 ISO4017-8,8
3	936D16P	1	Hex. nut M16 DIN936-8 Шестигранная гайка M16 DIN936-8
4	2729.01.01	1	Mouldboard R.H. Отвал Пр.
4	2729.01.02	1	Mouldboard L.H. Отвал Лев.
5a	2700.26.05	3	C sunk screw M12x35-10,9 4kt. С Болт с потайной головкой M12x35-10,9 4kt.
5	2700.41.14	2	Conical Bolt M12x40 - 12,9 Болт M12x40 - 12,9
6	934D12M	3	Hex. nut M12 ISO4032-10 Шестигранная гайка M12 ISO4032-10
6a	980DV12M	2	Lock nut VM12 ISO7042-12 Стопорная гайка VM12 ISO7042-12
7a	6437.00.01	2	Washer C-13/43,5 C-132 Шайба C-13/43,5 C-132
7	6436.60.03	3	Washer C-13/43,5 C-13 Шайба C-13/43,5 C-13
8	VI 28 24	1	Hex. Screw M10x50 ISO4017 Шестигранный болт M10x50 ISO4017
9	934D10PA	1	Hex. nut M10 ISO4032-8 verz. Шестигранная гайка M10 ISO4032-8 verz.
10	2731.07.00	2	Cardboard 2,5 thick картонные диски 2,5

Wing coultter / Н о ж э л е р о н

Extension mouldboard BP351W / Дополнительная секция BP351W



Index / Справка	Reference / N° по каталогу	Qty / Количество	Designation / Наименование
18	2751.10.01	1	Wing coultter R.H. Нож элерон Прав.
18	2751.10.02	1	Wing coultter L.H. Нож элерон Лев.
19	608D1290M	1	C sunk screw M12x90-12,6 С Болт с потайной головкой M12x90-12,6
20	934D12N	2	Hex. nut M12 DIN934-10 Шестигранная гайка M12 DIN934-10
25	2700.26.10	1	C sunk screw M12x55-10,9 4kt. С Болт с потайной головкой M12x55-10,9 4kt.



Index / Справка	Reference / N° по каталогу	Qty / Количество	Designation / Наименование
1	2701.19.01	1	Mouldboard extension R.H. Дополнительная секция пр
1	2701.19.02	1	Mouldboard extension L.H. Дополнительная секция лв
2	2700.26.03	2	C sunk screw M12x30-10,9 4kt. С Болт с потайной головкой M12x30-10,9 4kt.
3	2700.26.10	2	C sunk screw M12x55-10,9 4kt. С Болт с потайной головкой M12x55-10,9 4kt.
4	2720.05.00	4	Cardboard washer (shim)
5	980DV12NA	4	Lock nut VM12 DIN980-10 verz. Стопорная гайка VM12 DIN980-10 verz.

Option (1/1)

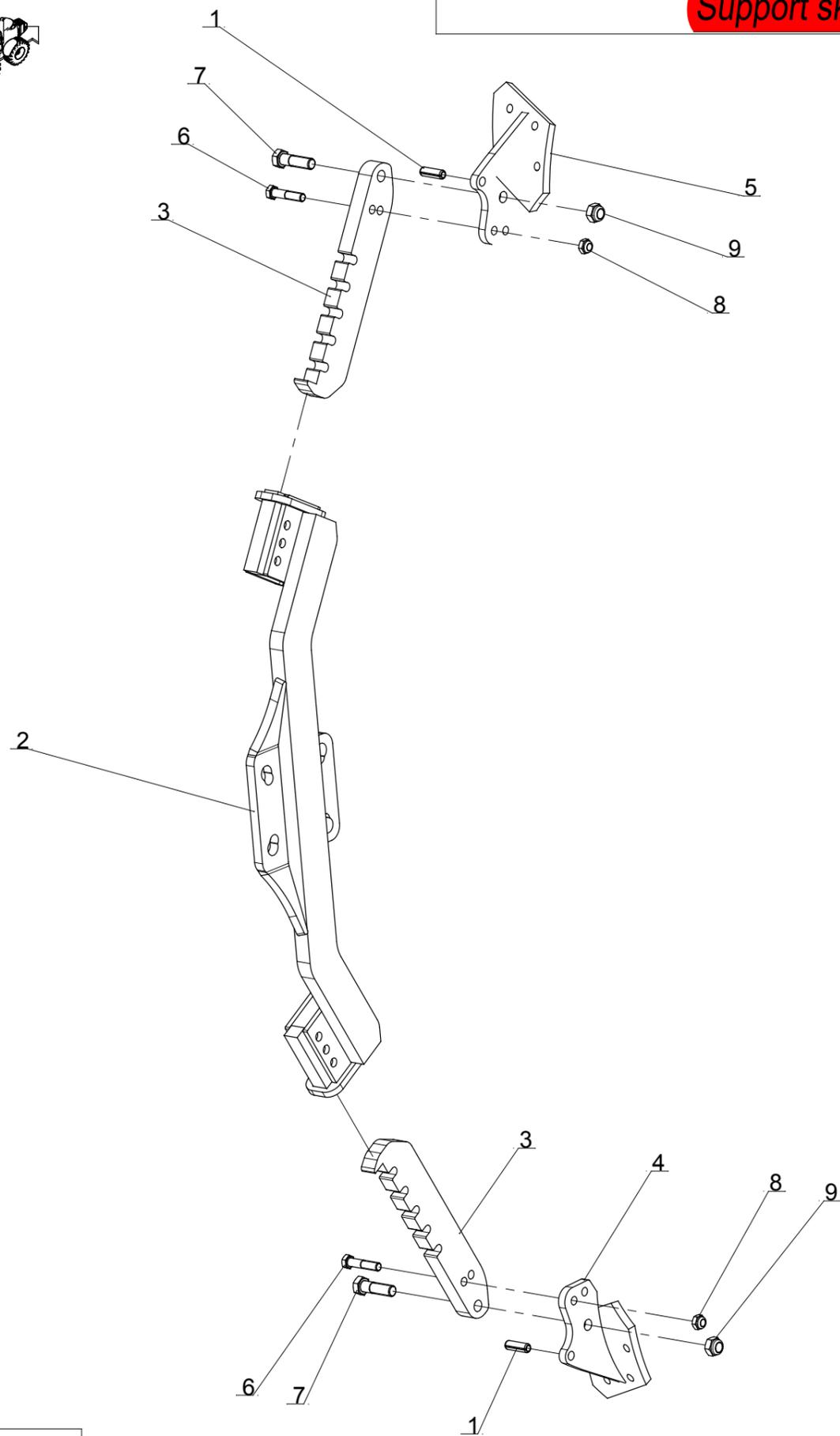
Complete Reference G2701/013 (pair)

13-Dec-13

Revision: A
Ma J:



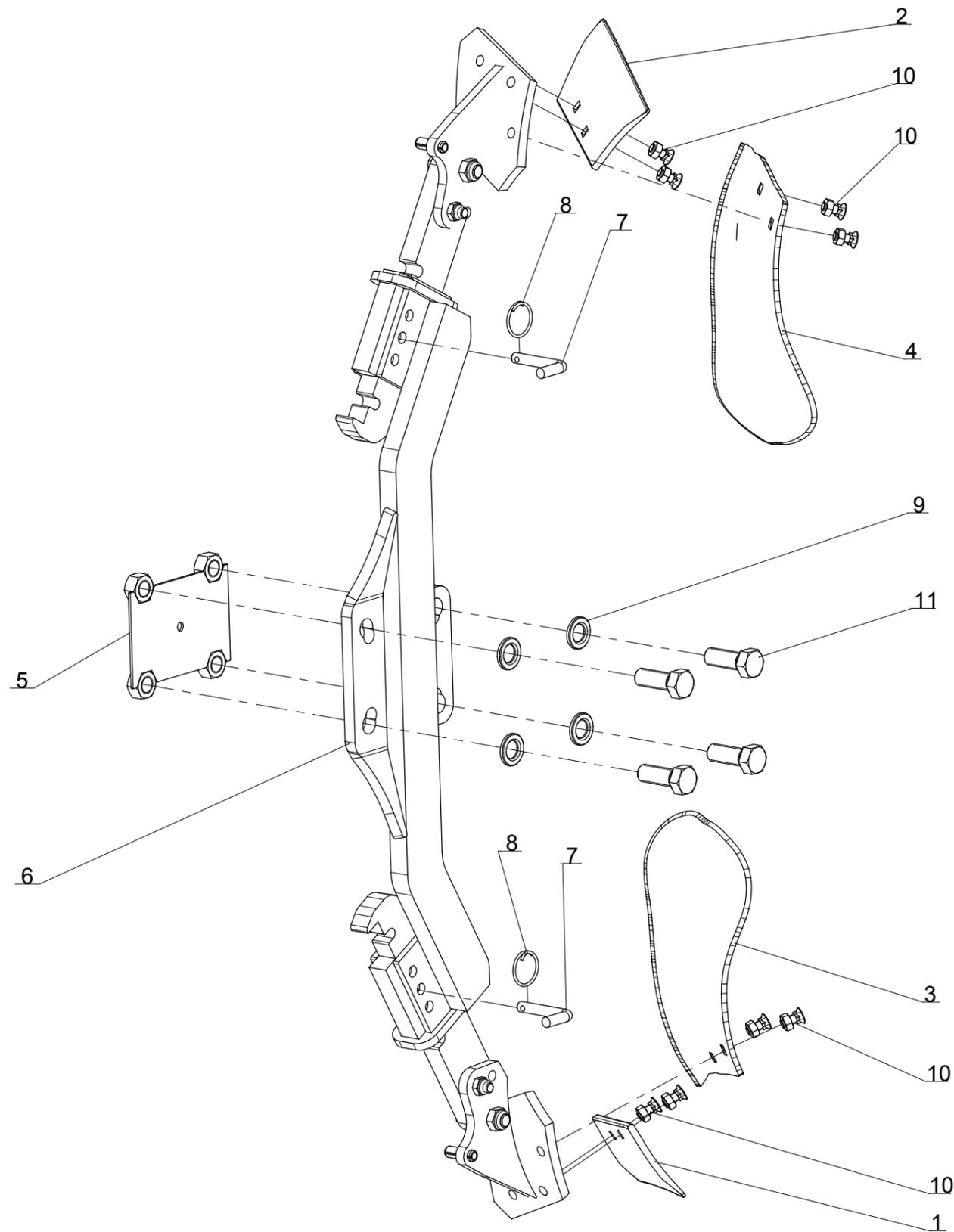
Support rasette HD
Support skimmers Vari Heavy Duty



Repere	Quantite	Reference	Designation
1	2	1481D1340A	Goupille elastique 13 X 40 ISO8752 Z Spring Pin 13 X 40 ISO8752 Z
2	1	2754.42.32	Support rasette Support skimmer
3	2	2754.42.39	Montant de rasette std - 350 mm Skimmer leg 350 mm
4	1	2754.42.44	Assise de rasette, Drt Skimmer bracket, R.H.
5	1	2754.42.45	Assise de rasette, Gche Skimmer bracket, R.H.
6	2	931D1255NA	Vis H M12 x 55 ZNBL 10.9 Hex. Screw M12 x 55 Zinc 10.9
7	2	931D1655NA	Vis H M16 x 55 ZNBL 10.9 Hex. Screw M16 x 55 Zinc 10.9
8	2	VJ 322	Ecrou frein std H M 12 - 8 ZNBL Nyloc nut std H M 12 - 8 ZNBL
9	2	VJ 324	Ecrou frein std H M 16 - 8 ZNBL Nyloc nut std H M 16 - 8 ZNBL



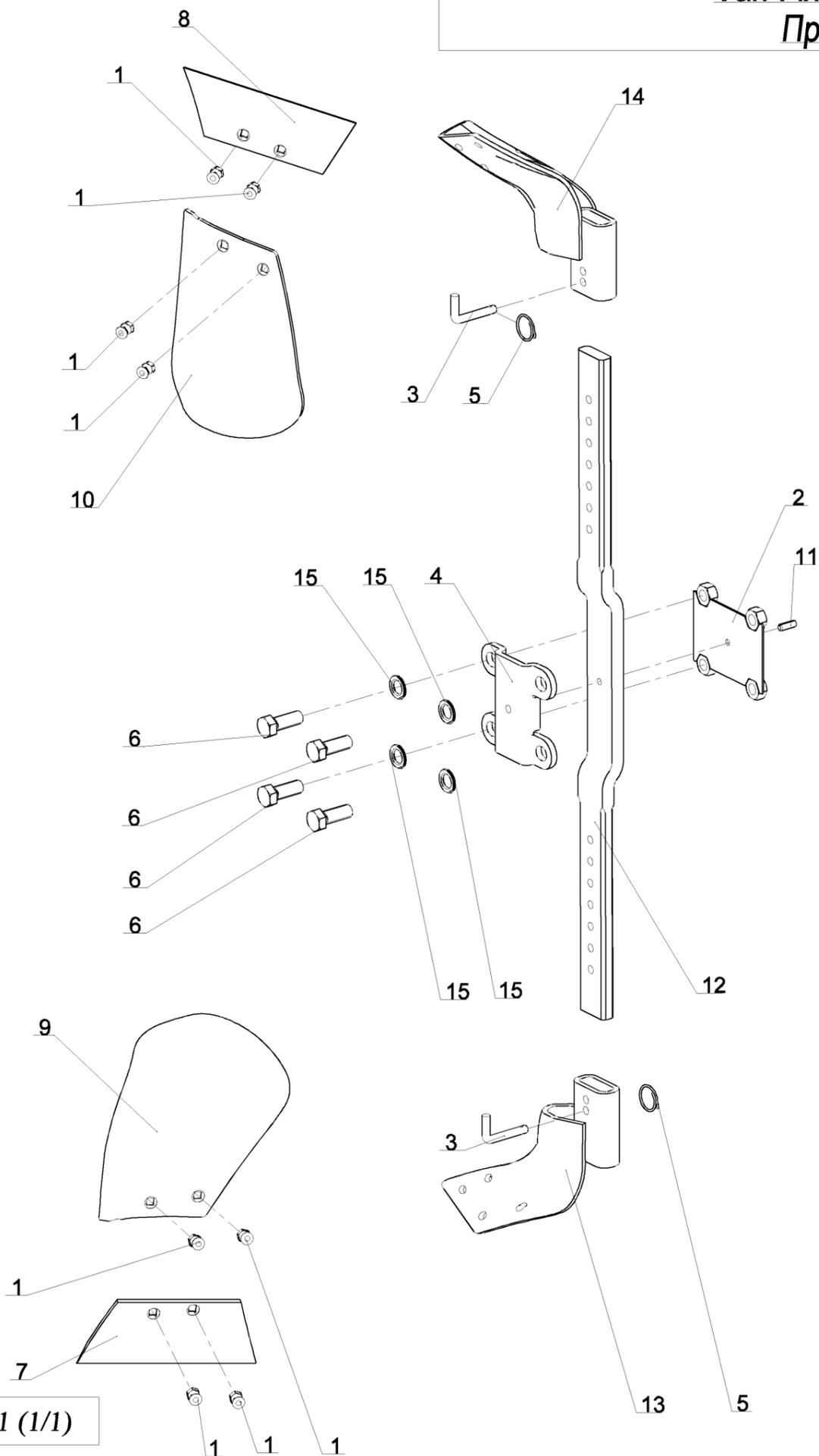
Rasette VHD 212 B montée
Skimmer VHD 212 B cpl.



Repere	Quantite	Reference	Designation
1	1	2715.05.01	Soc de rasette, Drt Skimmer share R.H.
2	1	2715.05.02	Soc de rasette, Gche Skimmer share L.H
3	1	2715.07.01	Versoir de rasette, Drt Skimmer shin R.H.
4	1	2715.07.02	Versoir de rasette, Gche Skimmer shin L.H.
5	1	2754.40.01	Plat de serrage Lock plate
6	1	2754.42.31	Support rasette HD Support skimmers Vari Heavy Duty
7	2	6241.29.02	Axe TB-12x50 Pin TB-12x50
8	2	6608.12.07	Circlip Circlip
9	4	6916D21A	Rondelle 21 Z Washer 21 Z
10	8	VI 13 14	Vis tête noyee 608-8.8 ZNBL M10x25+MU C sunk screw M10X25 DIN608-8.8 + Hex. nut ZNBL
11	4	VI 28 25	Vis H M20x 55 - 8.8 ZNBL Screw H M20x 55 - 8.8 ZNBL

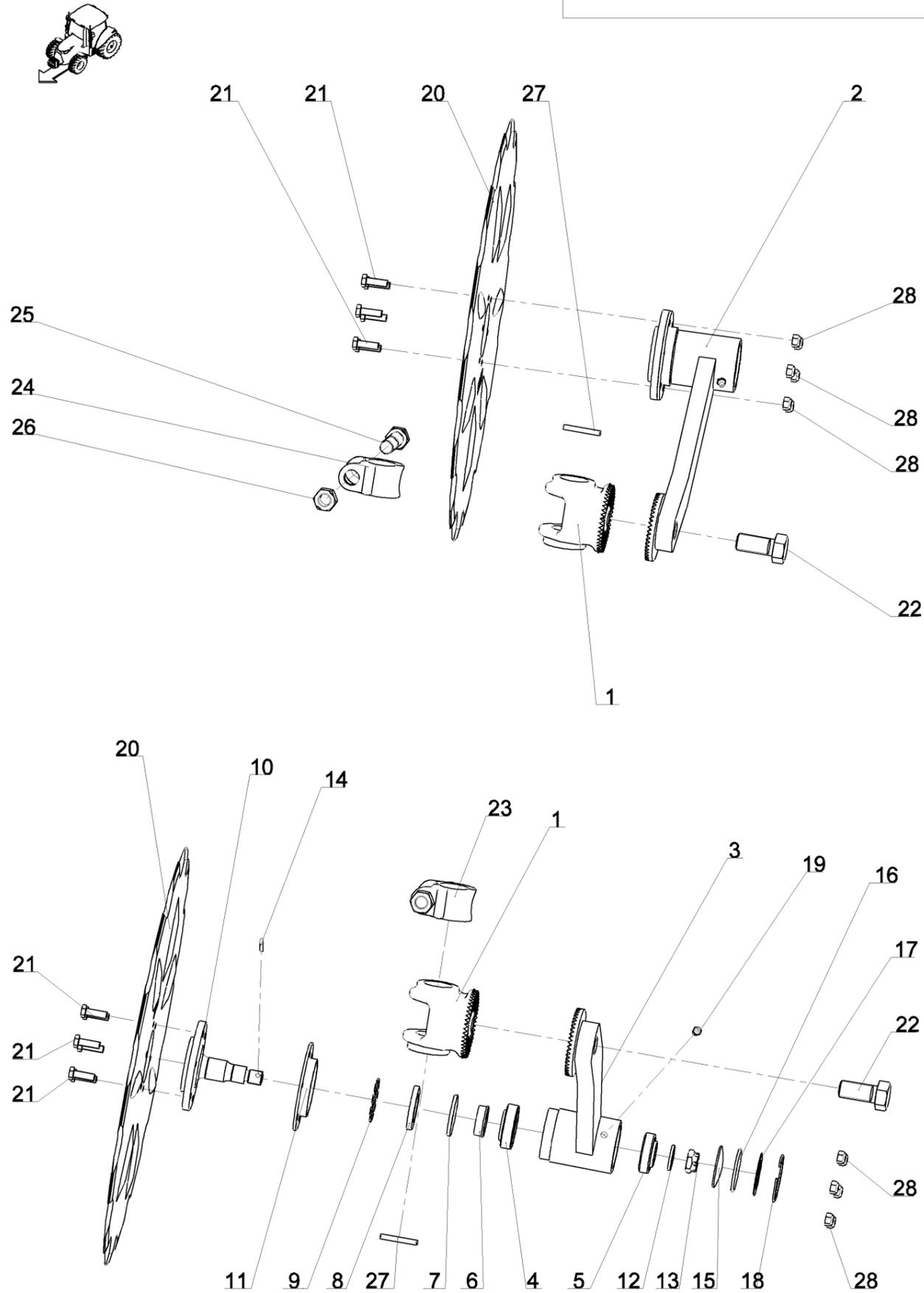


Vari-Fix Skimmers model 212B Предплужники 212B



Index / Справка	Qty / Количество	Reference / № по каталогу	Designation / Наименование
1	8	VI 13 14	C sunk screw M10X25 DIN608-8.8 + Hex. nut ZNBL С Болт с потайной головкой M10X25 DIN608-8.8 +Шестигранная гайка ZNBL
2	1	2754.40.01	Lock plate Super Albatros Стопорная шайба Super Albatros
3	2	6241.29.02	Pin TB-12x50 Палец TB-12x50
4	1	2754.26.02	Plate Super-Albatros Плита Super-Albatros
5	2	6608.12.07	rclip 3A D2076C vz. Ci Стопорное кольцо 3A D2076C vz. Ci
6	4	VI 28 25	Screw H M20x 55 - 8.8 ZNBL DIN933 Болт H M20x55 - 8.8 ZNBL DIN933
7	1	2715.05.02	Skimmer share L.H. Лемех предплужника Лев.
8	1	2715.05.01	Skimmer share R.H. Лемех предплужника Пр.
9	1	2715.07.02	Skimmer shin L.H. Отвал предплужника Лев.
10	1	2715.07.01	Skimmer shin R.H. Отвал предплужника Пр.
11	1	1481D1030	Spring Pin 10 X 30 ISO8752 Пружинный шплинт 10 X 30 ISO8752
12	1	2754.30.01	Stalk RH 75/80 Стойка RH 75/80
13	1	2754.29.02	Vari-Fix Frog L.H. Башмак Лев. Vari-Fix
14	1	2754.29.01	Vari-Fix Frog R.H. Башмак Прав. Vari-Fix
15	4	6916D21A	Washer 21 EN14399-6 Z Шайба 21 EN14399-6 Z

Kilt coultter DOK D510 (pair)



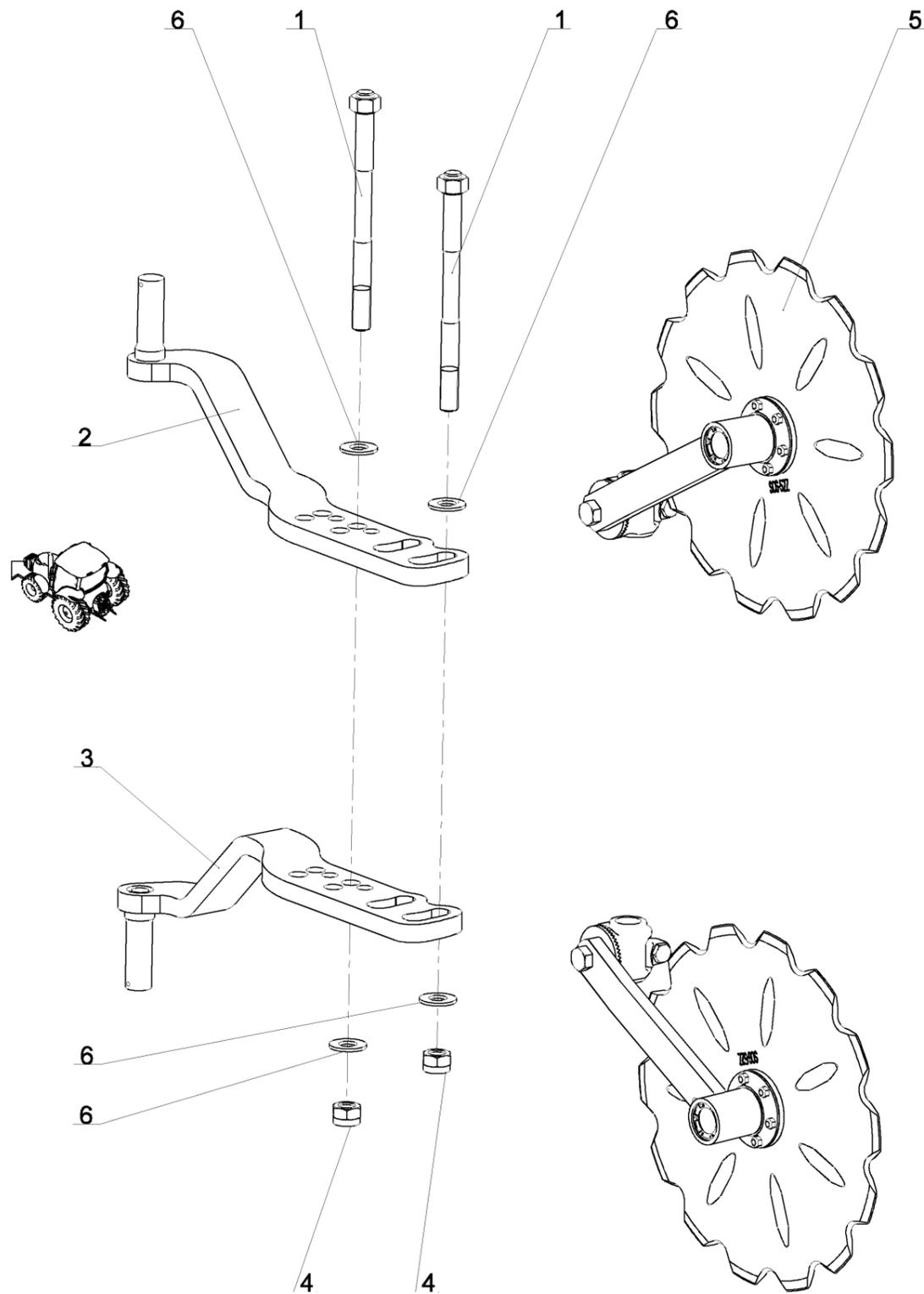
Index / Справка	Level	Qty / Количество	Reference / N° по каталогу	Designation / Наименование
1	2	2	7210.26.00	Bracket Кронштейн рычага
2	2	2	7210.29.02	Arm disc coultter complet Рычаг режущего диска в сборе
3	3	1	7210.28.02	Arm disc coultter Рычаг режущего диска
4	3	1	720D30205	conical roller bearing-720 30205 Коническое кольцо-720 30205
5	3	1	720D30204	conical roller bearing-720 30204 Коническое кольцо-720 30204
6	3	1	7209.00.07	Spacer ring Уплотнительное кольцо
7	3	1	7209.00.08	Nilosring Кольцо нейлоновое
8	3	1	7209.00.06	Washer C-351 Шайба C-351
9	3	1	7209.00.04	Spacer Прокладка
10	3	1	7209.08.00	Axle Палец
11	3	1	7209.00.05	Dust cap Пыльник
12	3	1	126D17.5A	Washer 17,5 ISO7091 ZNBL Шайба 17,5 ISO7091 ZNBL
13	3	1	937D1615P	Castellated nut M16x1,5 DIN937-8.8 Корончатая гайка M16x1,5 DIN937-8.8
14	3	1	94D425A	Cotter pin 4x 25 ISO1234 Z Разводной шплинт 4x 25 ISO1234 Z
15	3	1	470 D50	End lid Крышка
16	3	1	7209.00.09	O-seal Уплотнительное кольцо
17	3	1	7209.00.10	Washer Шайба
18	3	1	984 D522	Circlip seeger Пружинное полукольцо
19	3	1	VM 214	Grease nipple - M8, thread100 Смазчик прямой H1a- M 8x1 -180
20	2	2	7209.01.02	Notched disc coultter Dia500 Режущий диск вырезной диам 500
21	2	12	933D825NA	Hex. Screw M8x25 ISO4017-10.9 Zinc Болт M8x25 ISO4017-10.9 оцинкованный
22	2	2	VI 28 26	Screw H M20x 45 - 8.8 ZNBL DIN933 Болт H M20x45 - 8.8 ZNBL DIN933
23	2	2	7209.00.11	Complet clamping ring UW-44 Прижимное кольцо UW-44
24	3	1	7209.28.00	Clamping ring Прижимное кольцо
25	3	1	VI 31 32	Screw H M16x 75 - 8.8 ZNBL DIN931 Болт H M16x 75 - 8.8 ZNBL DIN931
26	3	1	934D16PA	Nut std H M16 - thread 200 Zingue Гайка станд. вороненная std H M16 - Zingue
27	2	2	1481D645A	Spring Pin 6 X 45 ISO8752 Z Пружинный шплинт 6 X 45 ISO8752 Z
28	2	12	980DV8NA	Nut M8 Zinc 10.9 Гайка M8 оцинкованная 10.9

G7210-185 (1/1)

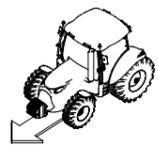
16-Dec-13

Revision :
Ma J :

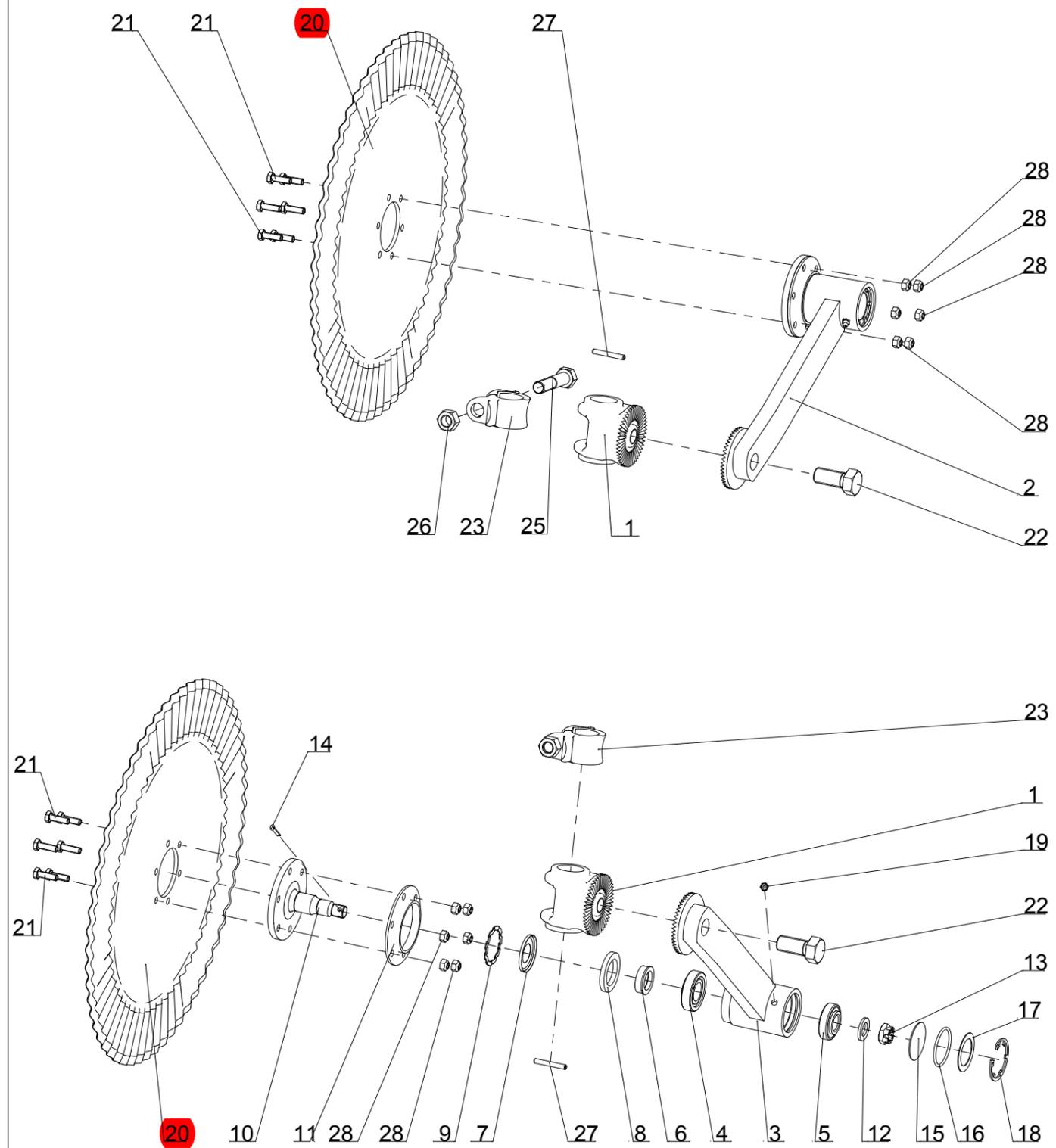
Disc coultter fix with notched disc Dia500



<i>Index / Справка</i>	<i>Qty / Количество</i>	<i>Reference / N° по каталогу</i>	<i>Designation / Наименование</i>
1	2	4788.08.51	Axle M24x305 Палец M24x305
2	1	4788.08.60	Support disc coultter L.H. Стойка режущего диска левая
3	1	4788.08.65	Support disc coultter R.H. Стойка режущего диска правая
4	2	985D24PA	Nyloc Nut M24 ISO10511-8 Z Контргайка M24 ISO10511-8 Z
5	1	G7210-185	Kilt coultter DOK D510 (pair)
6	4	VK 510	Flat washer medium MU24 Прокладка плоская средняя M 24 U



Kit coudre fixe disque ondulé 20" 6trs
Kit Disc coultre fixed, Fluted disc 20" 6 holes



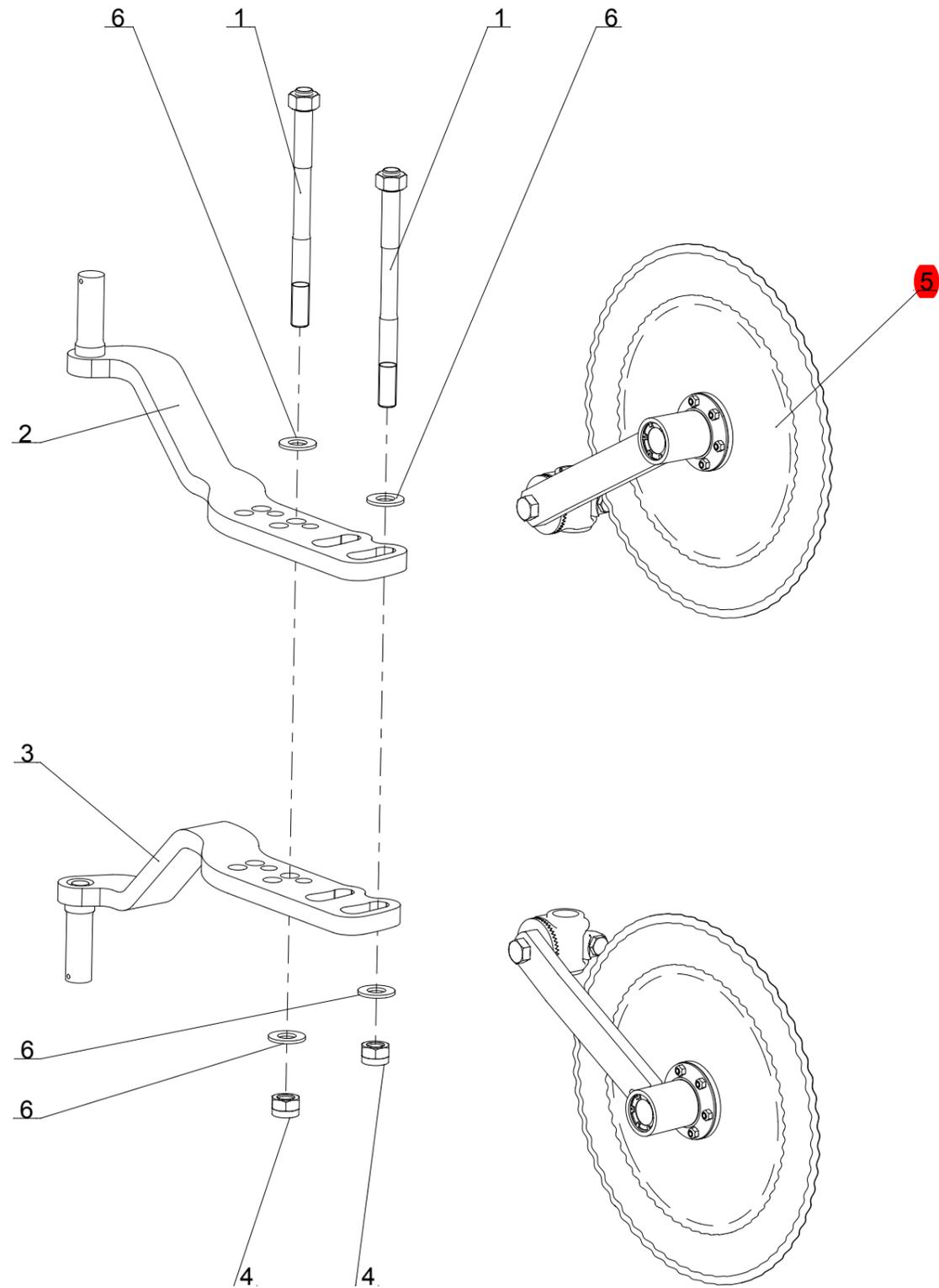
Repere	Niveau	Quantite	Reference	Designation
1	2	2	7210.26.00	Support de verrou Bracket
2	2	2	7210.29.02	Montant coudre complet Arm disc coultre complet
3	3	1	7210.28.02	Montant de coudre Arm disc coultre
4	3	1	720D30205	Roulement à rlx conique-72O 3O2O5 --
5	3	1	720D30204	Roulement à rlx conique-72O 3O2O4 --
6	3	1	7209.00.07	Bague intermediaire Spacer ring
7	3	1	7209.00.08	Joint Nilos Nilosring
8	3	1	7209.00.06	Rondelle Washer
9	3	1	7209.00.04	Entretoise Spacer
10	3	1	7209.08.00	Moyeu coudre disque Axle
11	3	1	7209.00.05	Cache moyeu Dust cap
12	3	1	126D17.5A	Rondelle 17,5 ISO7O91 ZNBL --
13	3	1	937D1615P	Ecrou à creneaux M16x1,5 DIN937-8.8 --
14	3	1	94D425A	Goupille fendue 4x 25 ISO1234 Z --
15	3	1	470 D50	Couvercle de fermeture End lid
16	3	1	7209.00.09	Joint torique O-seal
17	3	1	7209.00.10	Rondelle Washer
18	3	1	984 D522	Circlips pour alesage Circlip seeger
19	3	1	VM 214	Graisneur droit - M8, pas100 Grease nipple - M8, thread100
20	2	2	7214.00.01	Disque ondulé lisse 20" 6trs Fluted coultre blade 20" 6 holes
21	2	12	933D825NA	Vis H M8x25 ISO4O17-1O.9 ZNBL --
22	2	2	VI 28 26	Vis H M2Ox 45 - 8.8 ZNBL Screw H M2Ox 45 - 8.8 ZNBL
23	2	2	7209.00.11	Bague de serrage UW-44 complete Compleat clamping ring UW-44
24	3	1	7209.28.00	Bague de serrage Clamping ring
25	3	1	VI 31 32	Vis H M16x 75 - 8.8 ZNBL Screw H M16x 75 - 8.8 ZNBL
26	3	1	934D16PA	Ecrou std H M16 - pas 2OO Zingue --
27	2	2	1481D645A	Goupille elastique 6 X 45 ISO8752 Z Spring Pin 6 X 45 ISO8752 Z
28	2	12	980DV8NA	Ecrou M8 ZNBL 1O.9 --

G7210-250 (1/1)

24-Mar-15
 Revision : A
 M a J :



Coutre circulaire fixe ondulé 20" 6trs
Disc coultre fixed with fluted disc 20" 6 holes

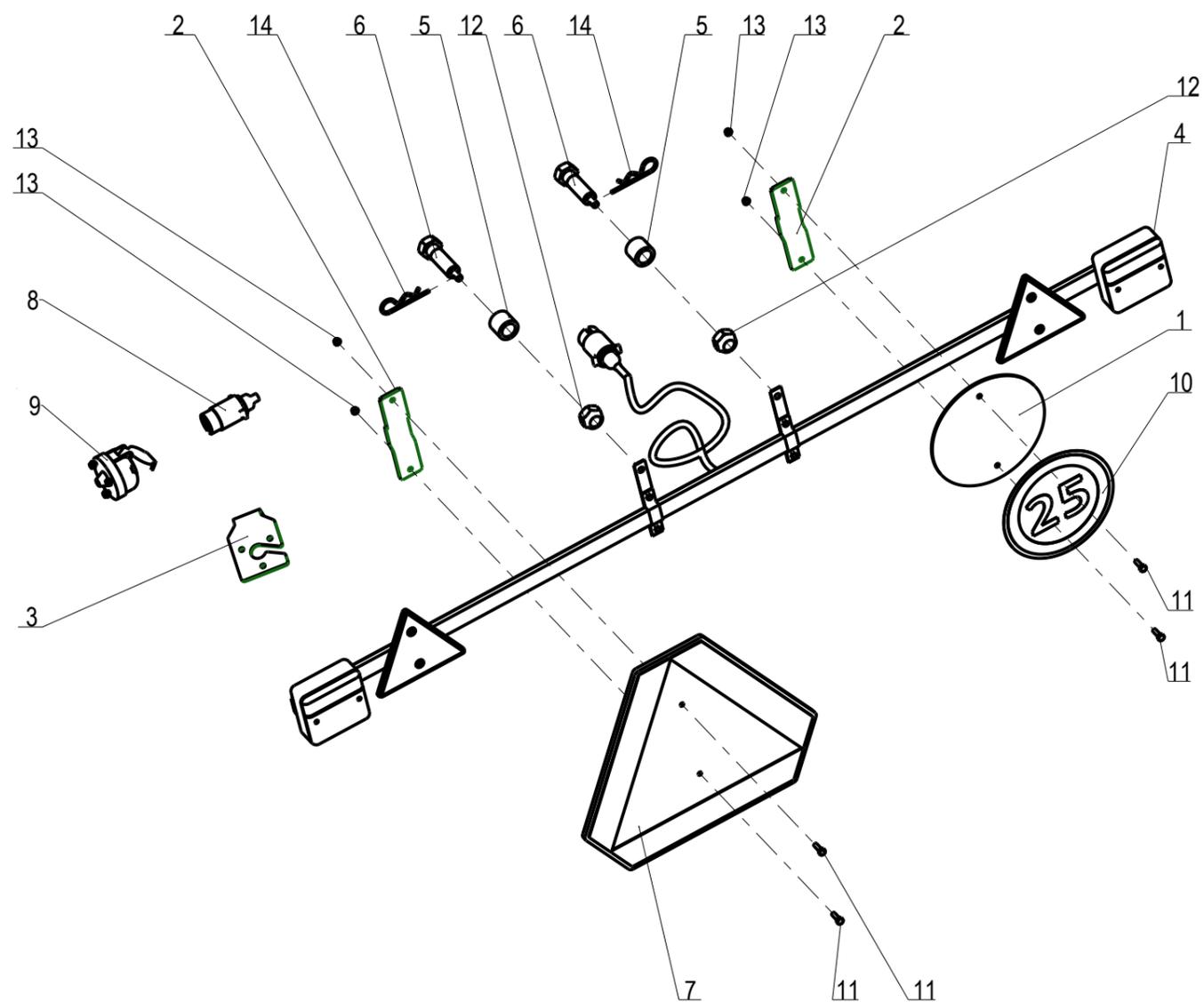


Index /	Qty /	Reference / N°	Designation /
1	2	4788.08.51	Axe support de coutre Axle M24x305
2	1	4788.08.60	Support coutre circulaire Gche Support disc coultre L.H.
3	1	4788.08.65	Support coutre circulaire Drt Support disc coultre R.H.
4	2	985D24PA	Ecrou HFR M24 - 8 ZNBL Nyloc Nut M24 - 8 ZNBL
5	1	G7210-250	Kit coutre fixe disque ondulé 20" 6trs Kit Disc coultre fixed, Fluted disc 20" 6 holes
6	4	VK 510	Rondelle plate MU24 ZNBL Flat washer MU24 ZNBL



Rampe Signalisation Ar M22

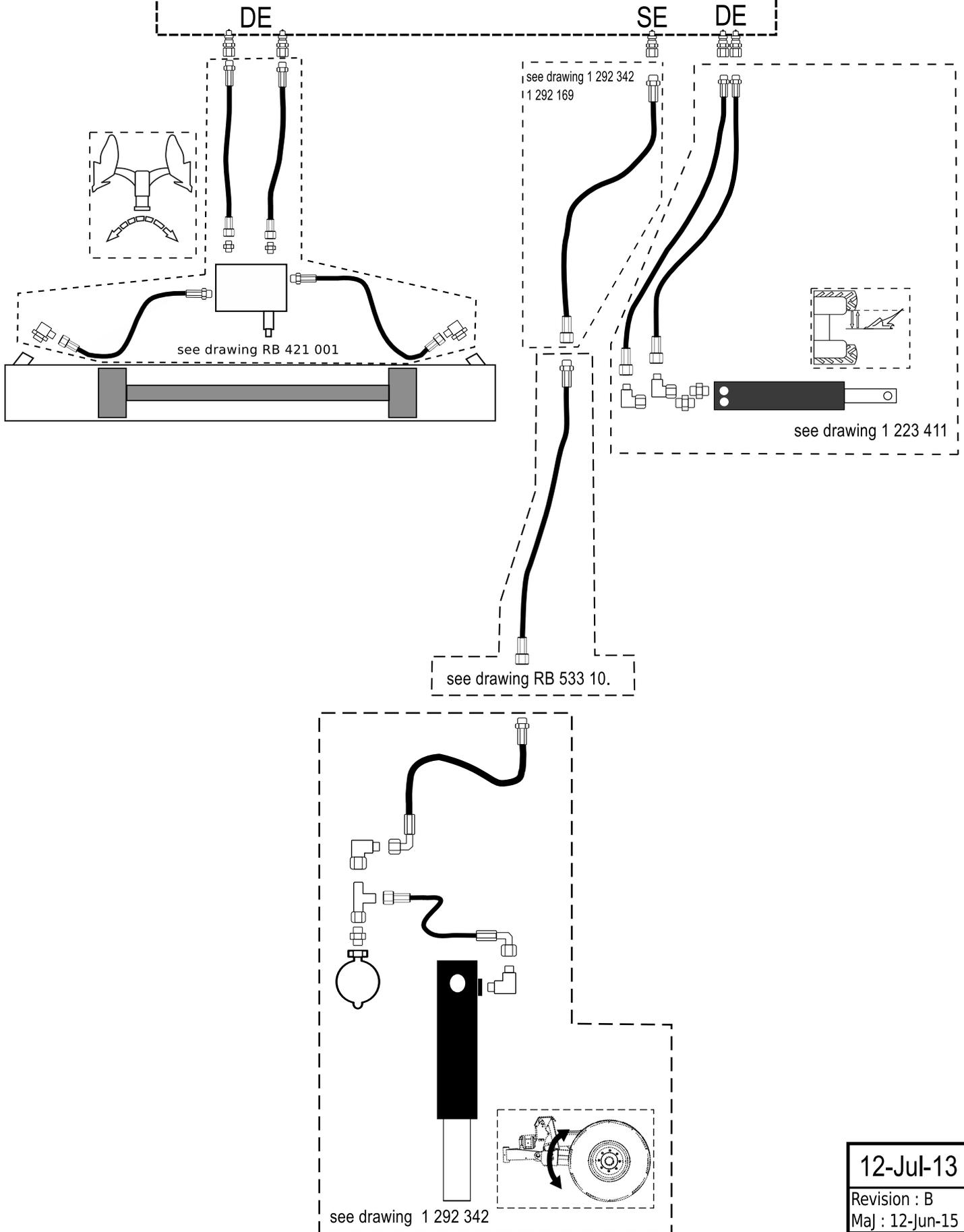
Rear lighting kit M22



Index /	Qty /	Reference / N°	Designation /
1	1	1 214 186	Support adhesif 25 km
2	2	1 214 192	Bride fixation panneau
3	1	1 214 198	Support prise 7 broches 7 pin plug holder
4	1	1 214 199	Rampe d'eclairage (fil 2 metres) Rear trailer board
5	2	1 215 150	Douille de rallonge Av double
6	2	1 291 156	Vis de rampe d'eclairage M22x90 Special screw for lighting board H M22x90
7	1	6103.16.65	Triangle signalisation triangle signaling
8	1	850 100 385	Prise élec. 7 plots male Male electrical outlet
9	1	850 101 785	Prise elec 7 plots femelle Electrical outlet, 7 pin, female
10	1	9998.25.04	Adhesif 25km/h Russie Adhesive 25km/h Russia
11	4	VI 26 03	Vis H M6x 20 - 8.8 ZNBL Screw H M6x 20 - 8.8 ZNBL
12	2	VJ 329	Ecrou frein std H M 22- 8 ZNBL Nyloc nut std H M 22- 8 ZNBL
13	4	VJ 340	Ecrou frein std H M 6 - 8 ZNBL Nyloc nut std H M 6 - 8 ZNBL
14	2	VL 002	Goupille "Beta" - 4, Z R Clip - 4, Z

3810L : Hydraulic diagram

Tractor / трактор

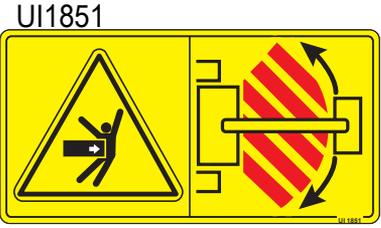


12-Jul-13

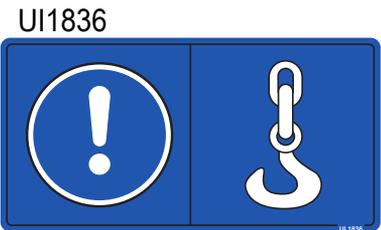
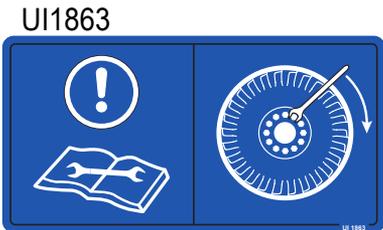
Revision : B
Maj : 12-Jun-15

Stickers for ploughs 3810L

Safety stickers



Informations stickers



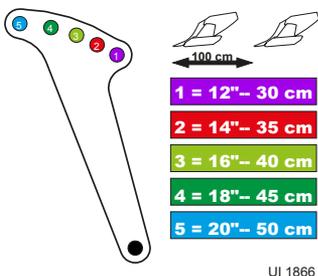
99982504



Stickers for ploughs 3810L

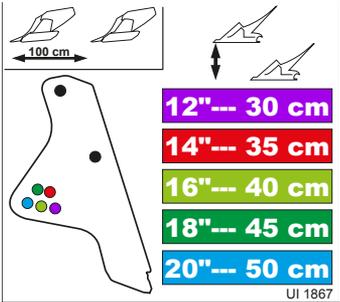
Stickers

UI1866



UI 1866

UI1867



UI 1867

48059232



3810" On Land " models (Left side)

48059210 6-furrows



48059211 7-furrows



48059212 8-furrows



3810" On Land " models (Right side)

48059213 6-furrows



48059214 7-furrows



48059215 8-furrows



Complete kit stickers 5 & 6 furrows: 48089101

Complete kit stickers 7 furrows : 48089105

Complete kit stickers 8 furrows : 48089108