

# 3810 in-furrow / on-land Plow

P

R



JOHN DEERE

## PARTS CATALOG

3810 in-furrow / on-land Plow

PC12336 (Feb-16) English

**Revision 04/2017**

P

R

O

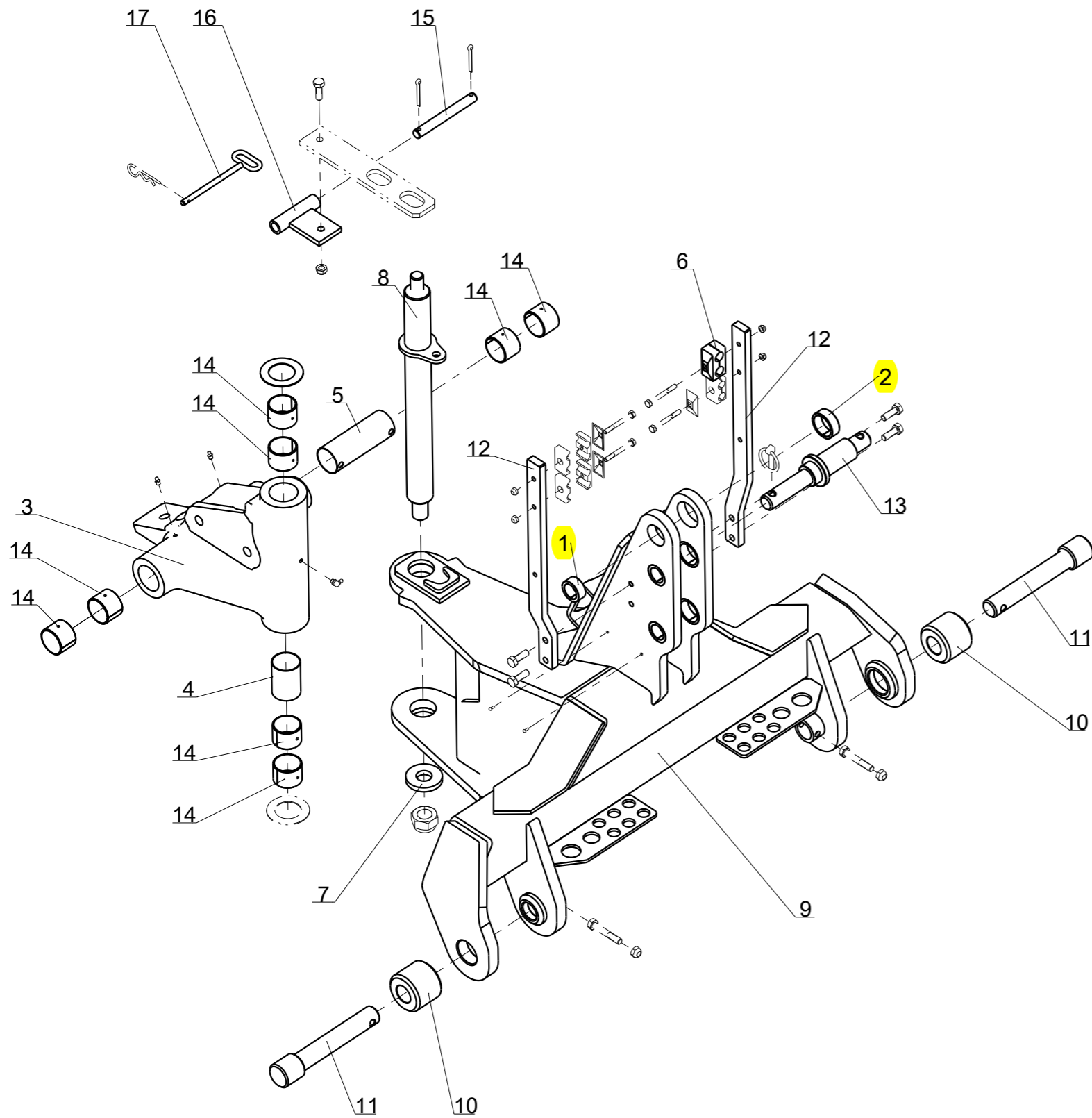
O

**South Africa Portfolio Extension Group**

South Africa Edition  
Printed in U.S.A. (Revised)  
COPYRIGHT © 2016  
DEERE & COMPANY  
Moline, Illinois  
All rights reserved

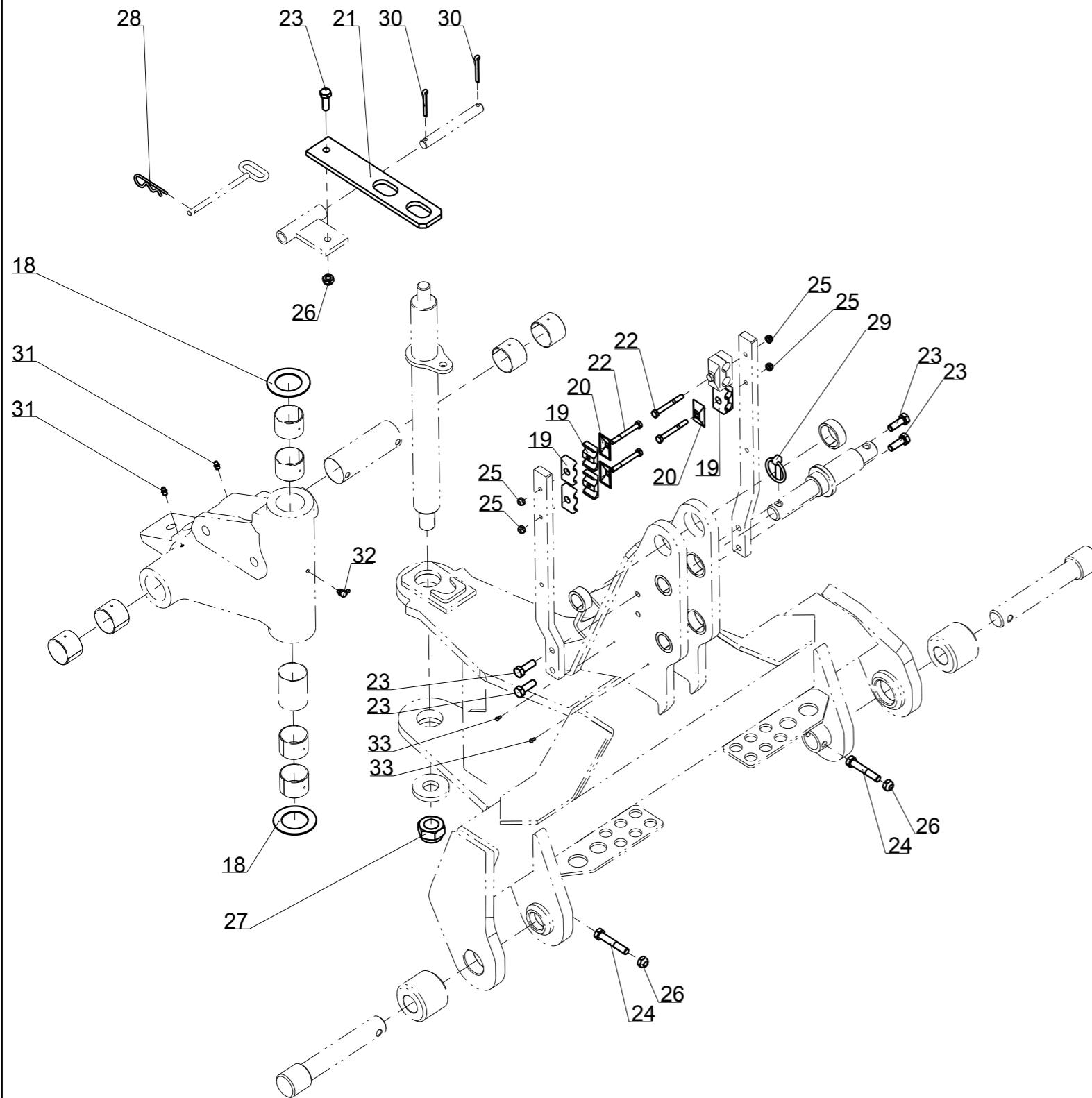
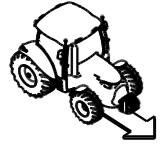


*Palonnier fixe 4N-D3 Std*  
*Fixed hitched 4N D3 Std*



<i>Index</i>	<i>Quantite</i>	<i>Reference</i>	<i>Designation</i>
1	3	5GB122 198	Steel bush 45x32, Lg:20
2	3	5GB122 199	Steel bush 55x45, Lg : 20
3	1	5GB1 223 210 U	Cast iron cardan joint 110°
4	1	5GB1 223 221	Grease casing for cardan joint (front)
5	1	5GB1 223 222	Grease casing for cardan joint (rear)
6	1	5GB1 235 106	Double hose fixation 2x20 cpl.
7	1	5GB122 106	Special washer - 30.5x70x10
8	1	5GB122 128	Vertical pin SP 110°- Dia 50, lg. : 605 mm, thread 2.00
9	1	5GB122 191	Hitch point SP fixed 3N / 4N
10	2	5GB122 193	Coupling
11	2	5GB122 194	Coupling
12	2	5GB122 195	Hose support / Headstock
13	1	5GB122 197	3 point hitch top link pin Cat III / IV
14	8	5GB122 246	Bronze bushing - Dia50x55, lg. : 40 mm
15	1	5GB122 249	Bracket parking latch pin - Dia 18, lu. : 140 mm
16	1	5GB122 273	Rear parking latch bracket
17	1	5GB122 292	Pin parking latch - Dia 10, lg. : 158 mm

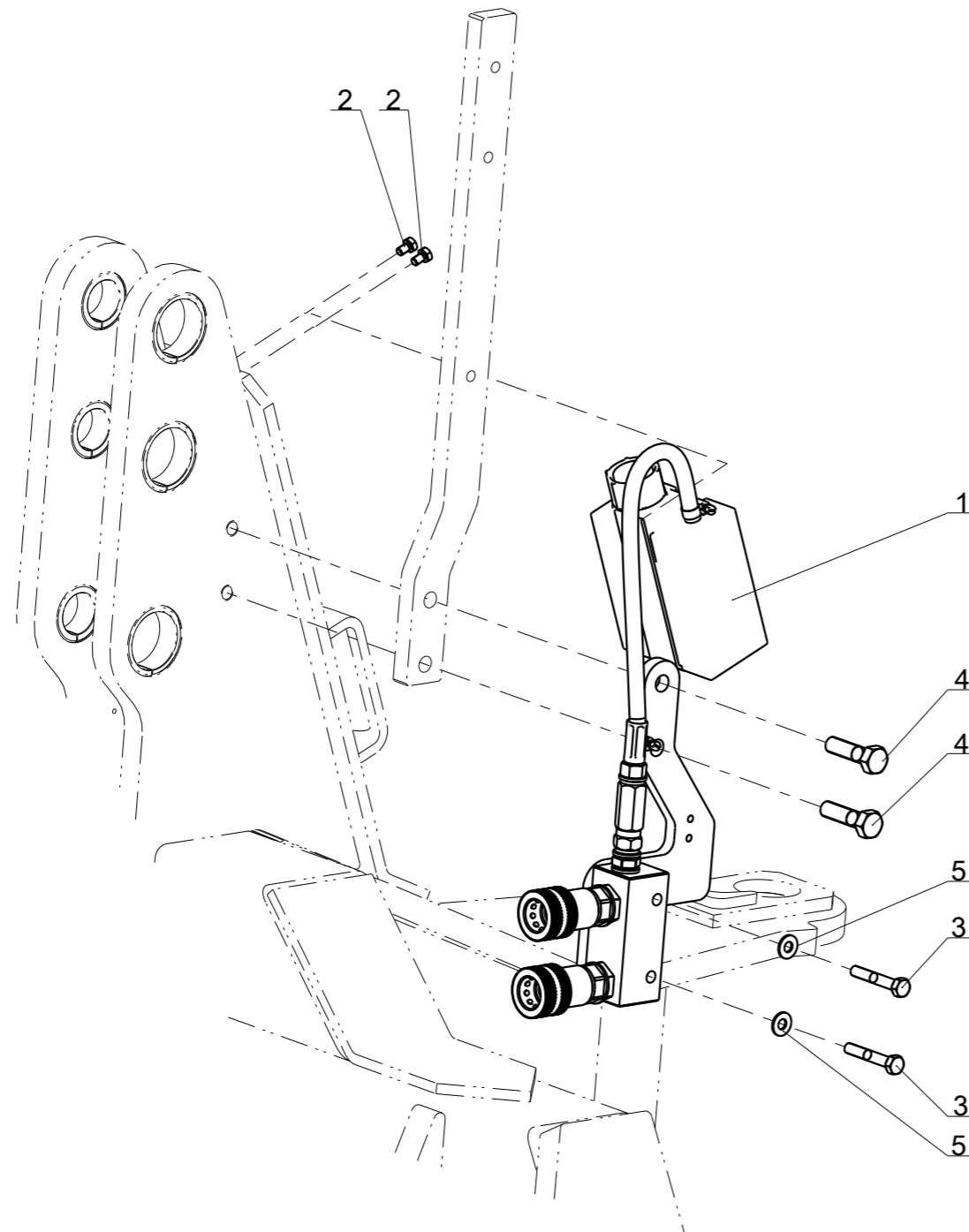
*Palonnier fixe 4N-D3 Std*  
*Fixed hitched 4N D3 Std*



<i>Index</i>	<i>Quantite</i>	<i>Reference</i>	<i>Designation</i>
18	2	5GB122 295	Special washer - 50.5x82x2
19	6	5GB122 360	Double hose fixation 2x16
20	3	5GB122 361	Upper plate convex - hose fixation 2x16 28x49
21	1	5GB122 373	Front parking latch bracket - lg. : 315 mm
22	4	5GBVI 27 12	Screw H M8x 70 - 8.8 ZNBL
23	5	5GBVI 29 05	Screw H M12x 35 - 8.8 ZNBL
24	2	5GBVI 29 16	Screw H M12x 70 - 8.8 ZNBL
25	4	5GBVJ 320	Nyloc nut std H M 8 - 8 ZNBL
26	3	5GBVJ 322	Nyloc nut std H M 12 - 8 ZNBL
27	1	5GBVJ 335	Nyloc nut std H M 30 - 8 ZNBL - thread 200
28	1	5GBVL 002	R Clip - 4, Z
29	1	5GBVL 103	Lynch pin "Clips" Dia10 Z
30	2	5GBVL 414	Split pin V 6.3x50
31	2	5GBVM 201	Grease nipple - M8, thread125
32	1	5GBVM 203	Grease nipple 90° M8x125
33	2	5GBVM 410	Fluted round head nail4x9

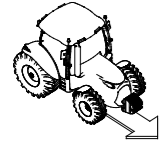


*Kit decompression retournement*  
*Decompression hydraulic kit ( Turnover)*

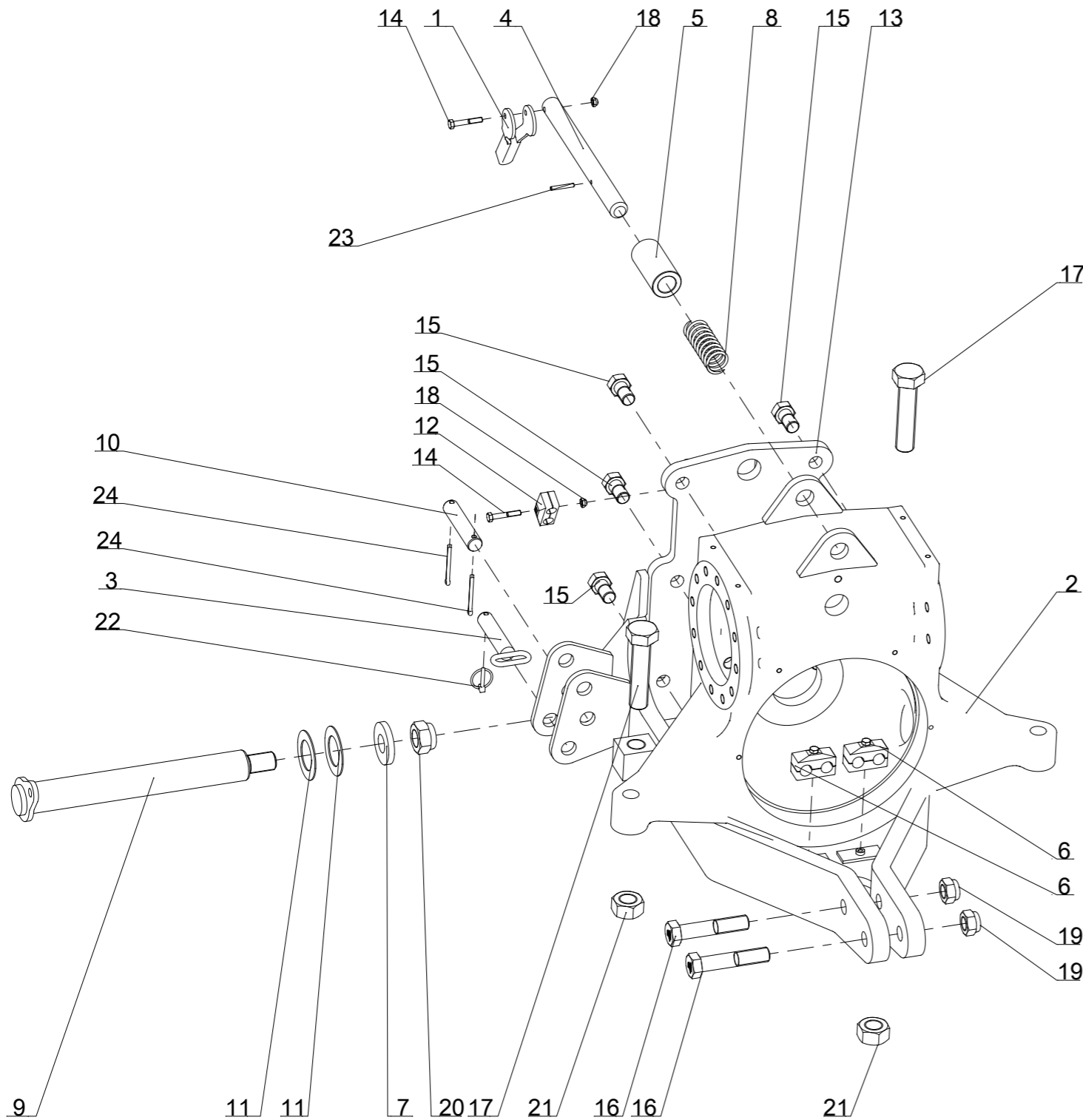


<i>Index</i>	<i>Quantite</i>	<i>Reference</i>	<i>Designation</i>
1	1	5GB1 122 404	Kit decompression retournement Decompression Kit (complet)
2	2	5GBVI 26 01	Vis H M6x 10 - 8.8 ZNBL Screw H M6x 10 - 8.8 ZNBL
3	2	5GBVI 27 10	Vis H M8x 50 - 8.8 ZNBL Screw H M8x 50 - 8.8 ZNBL
4	2	5GBVI 29 08	Vis H M12x 45 - 8.8 ZNBL Screw H M12x 45 - 8.8 ZNBL
5	2	5GBVK 502	Rondelle plate MU8 ZNBL Flat washer MU8 ZNBL





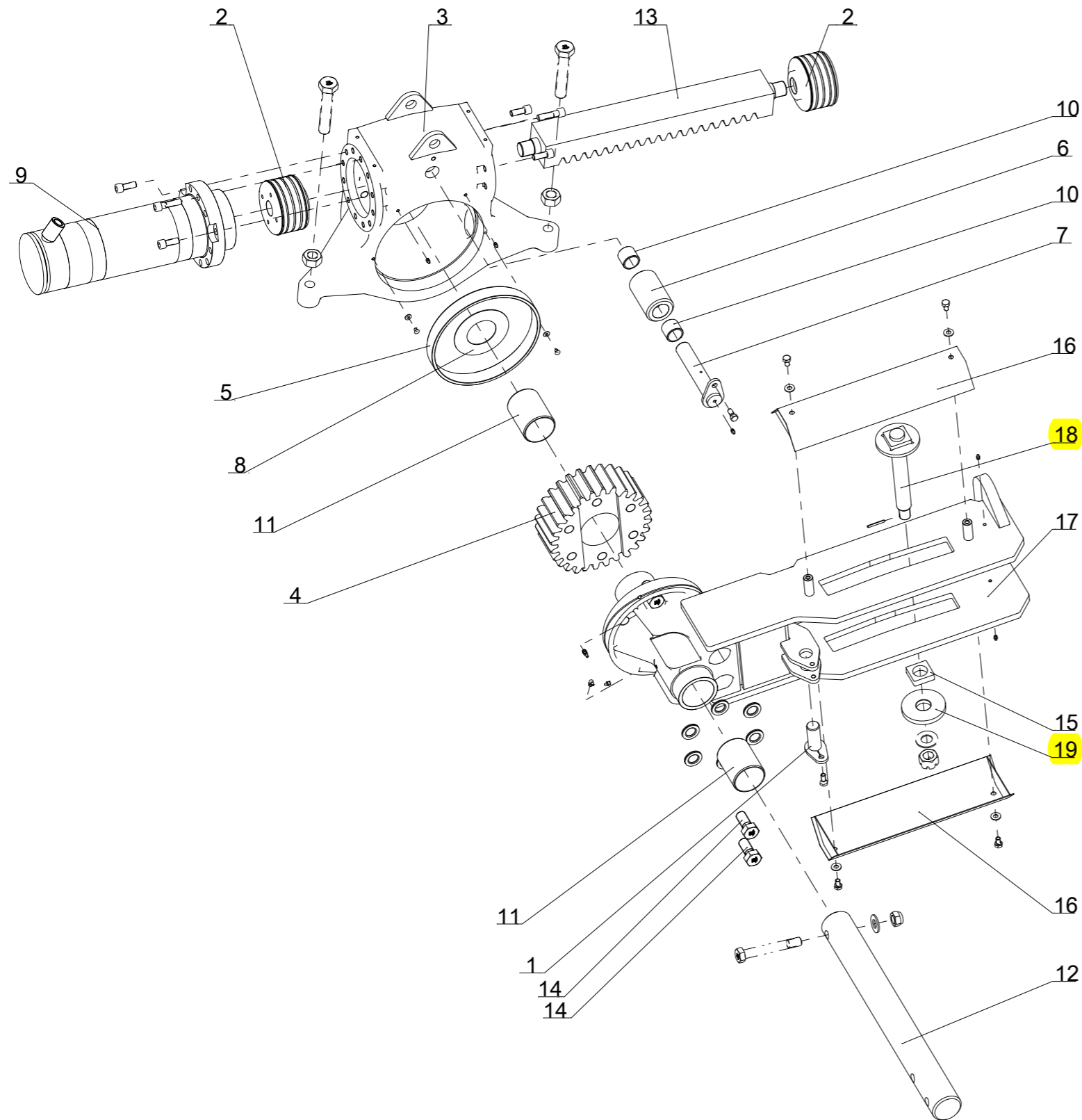
*Retournement semi-portée mono-roue*  
*Turnover Semi-Mounted Single wheel*



Repere	Quantite	Reference	Designation
1	1	5GB1 123 115	Handle for transport pin
2	1	5GB1 223 152 U	headstock casting
3	2	5GB1 223 164	Parking leg pin
4	1	5GB1 223 173	Transport lock pin
5	1	5GB1 223 211	Socket (transport lock)
6	2	5GB1 235 106	Double hose fixation 2x2O cpl.
7	1	5GB122 106	Special washer - 30.5x70x10
8	1	5GB122 224	Spring N°12 bis for transport lock - Dia 40, lg. : 110 mm
9	1	5GB122 250	Horizontal crucifix pin - Dia 50, Lu:378mm,M30
10	2	5GB122 253	Parking leg pin - Dia 25, Lu:100 mm
11	2	5GB122 295	Special washer - 50.5x82x2
12	1	5GB122 358	Double hose fixation 2x16 cpl.
13	1	5GB122 375	Headstock frame
14	2	5GBVI 27 10	Screw H M8x 50 - 8.8 ZNBL
15	6	5GBVI 34 01	Screw H M22x 40 - 8.8 ZNBL , thread /25 mm
16	2	5GBVI 35 06	Screw H M24x120 - 8.8 ZNBL
17	2	5GBVI 47 03	Screw H M30x130 - 10.9 ZNBL
18	2	5GBVJ 320	Nyloc nut std H M 8 - 8 ZNBL
19	2	5GBVJ 331	Nyloc nut std H M 24 - 8 ZNBL
20	1	5GBVJ 335	Nyloc nut std H M 30 - 8 ZNBL - thread 200
21	2	5GBVJ 626	Nut HU M30 - 8 ZNBL
22	2	5GBVL 101	Lynch pin "Clips" Dia6 Z
23	1	5GBVL 214	Thick roll pin - 6x40 mm, Zyntek
24	4	5GBVL 415	Split pin V 6.3x60



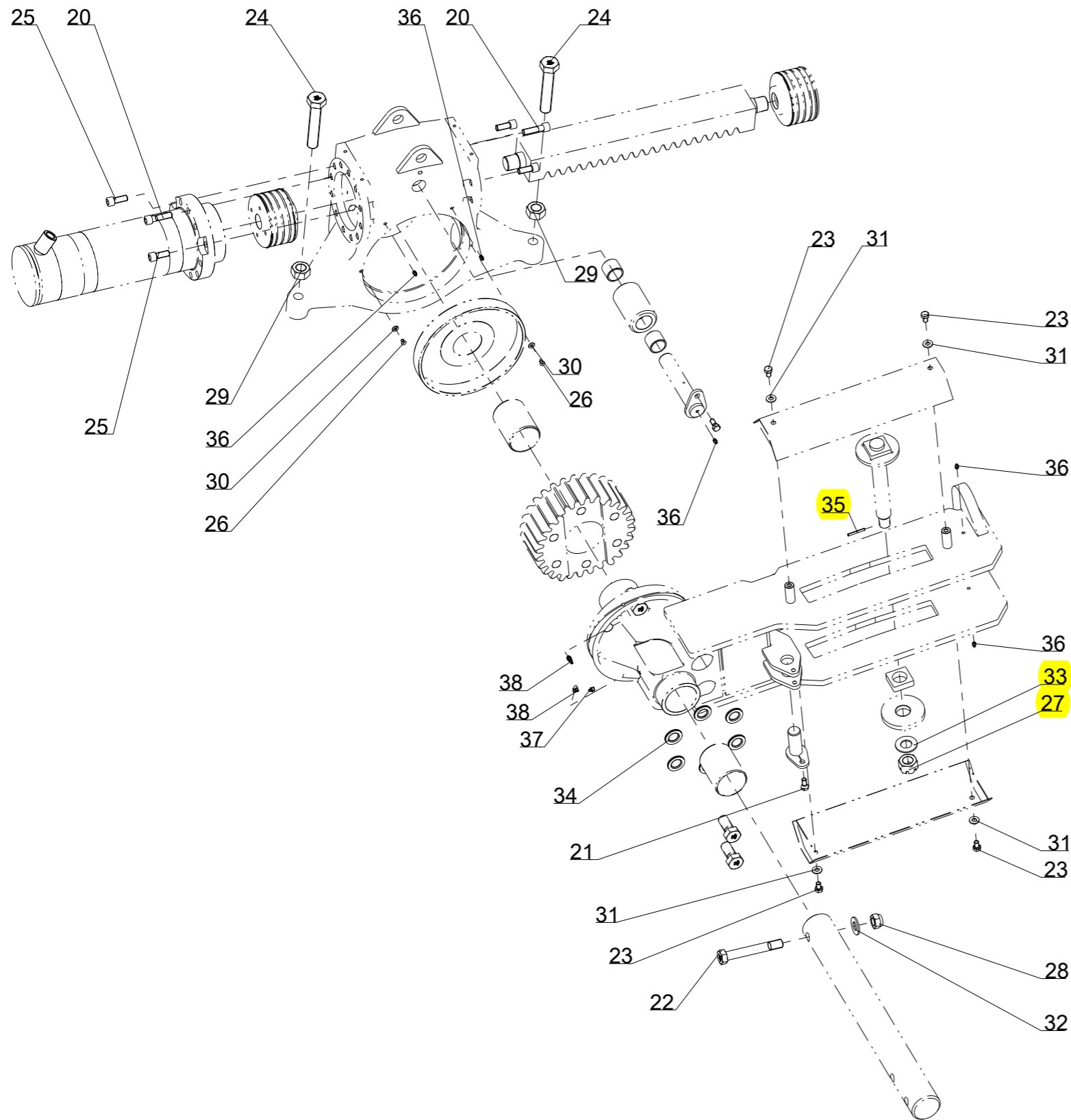
*Retournement semi-portée mono-roue*  
*Turnover Semi-Mounted Single wheel*



<i>Repere</i>	<i>Quantite</i>	<i>Reference</i>	<i>Designation</i>
1	1	5GB1 116 314	Pin (variwidth ram)
2	2	5GB1 223 117	Piston for cylinder - Dia 150, width : 107 mm
3	1	5GB1 223 152 U	headstock casting
4	1	5GB1 223 155	pinion - width : 133 mm
5	1	5GB1 223 156	Plastic bushing for pinion
6	1	5GB1 223 157	Rack guide bearing
7	1	5GB1 223 158	headstock rollers pin
8	1	5GB1 223 194	Special washer - Dia 85.5x16Ox2
9	2	5GB1 223 236	Ram semi-mounted Dia150
10	2	5GB1 291 306	Bush composite Dia40x48 Lg=40
11	2	5GB122 231	Plastic bush - Dia 93 x 86
12	1	5GB122 251	Front shaft - Dia 85, lg. : 790 mm
13	1	5GB122 256	rack - width : 100 mm
14	6	5GB122 265	Screw H M27x 60 - 10.9 Znbl, thread /45mm, thread200
15	1	5GB122 284	Adjuster guide block
16	2	5GB122 325	Protection for support pinion
17	1	5GB122 374	Pinion support
18	1	5GB122 385	Front adjuster guide pin
19	1	5GB122 387	Adjuster guide washer



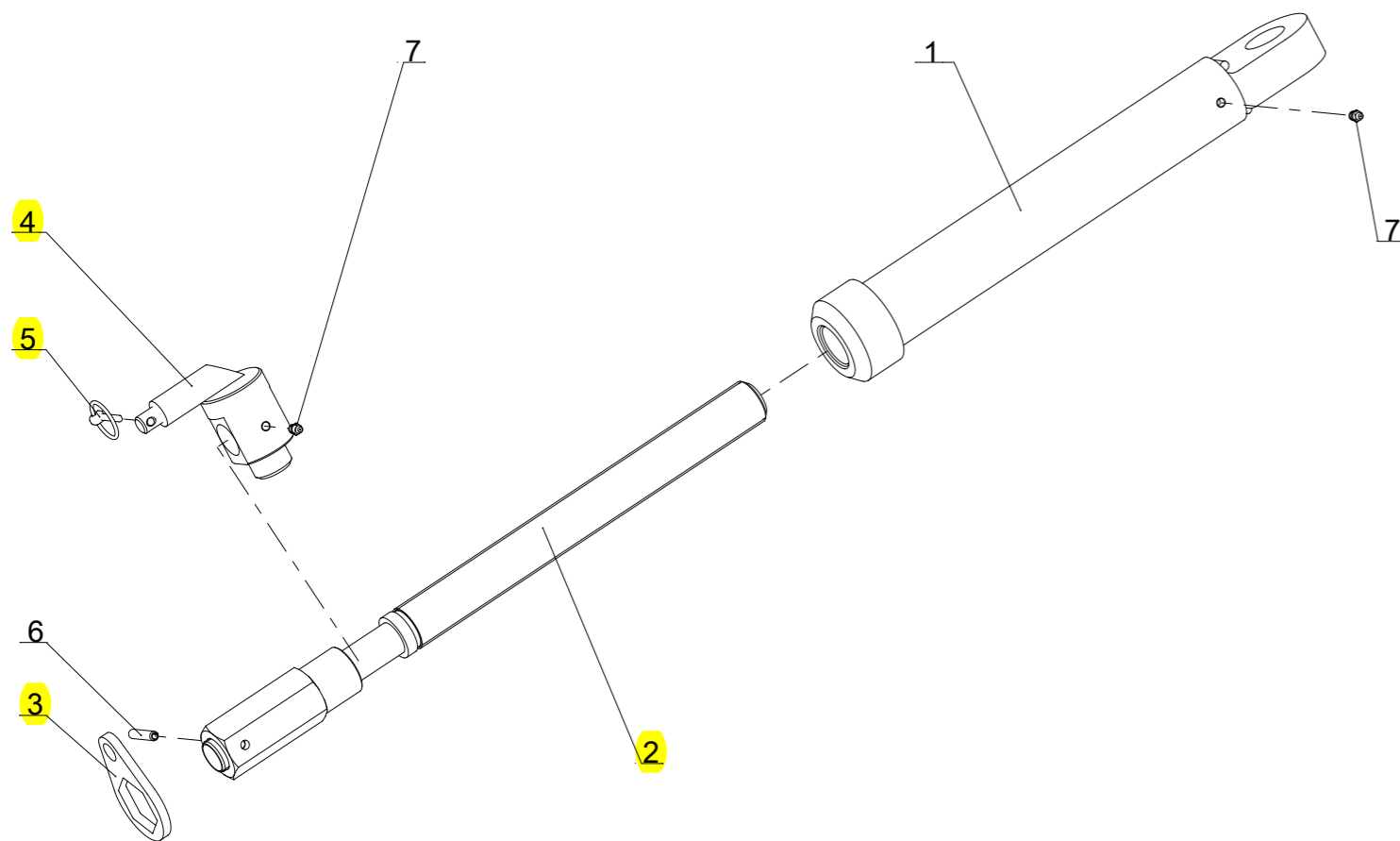
*Retournement semi-portée mono-roue*  
*Turnover Semi-Mounted Single wheel*



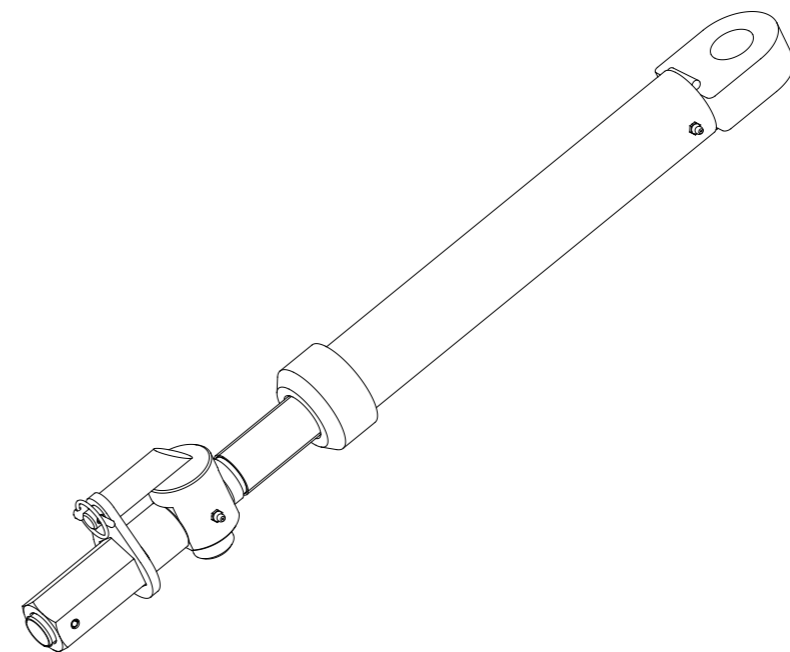
Repere	Quantite	Reference	Designation
20	20	5GB802 503 000	Screw CHc M16x 60 - 8.8 Black
21	2	5GBVI 24 33	Screw H conical M12x22 lg. : 36
22	1	5GBVI 35 15	Screw H M24x170 - 10.9 ZNBL, thread /36 mm
23	4	5GBVI 41 02	Screw H M12x 20 - 8.8 ZNBL
24	2	5GBVI 47 01	Screw H M30x160 - 10.9 ZNBL
25	4	5GBVI 48 24	Screw CHc M16x 40 - 8.8 Black
26	2	5GBVI 49 02	Screw FHC M8x 12 - 10.9 Black
27	1	5GBVJ 208	Nut HK M 30x 200 - 8 - ZNBL , Ht:29
28	1	5GBVJ 331	Nyloc nut std H M 24 - 8 ZNBL
29	2	5GBVJ 626	Nut HU M30 - 8 ZNBL
30	2	5GBVK 502	Flat washer MU8 ZNBL
31	4	5GBVK 504	Flat washer MU12 ZNBL
32	1	5GBVK 510	Flat washer MU24 ZNBL
33	1	5GBVK 513	Flat washer MU30 ZNBL
34	6	5GBVK 522	Washer ZNBL NL27
35	1	5GBVL 215	Thick roll pin - 6x50 mm
36	5	5GBVM 201	Grease nipple - M8, thread125
37	1	5GBVM 205	Grease nipple - M10, thread150
38	2	5GBVM 207	Grease nipple 90° M10x150

*Deport Mecanique / Monoroue*

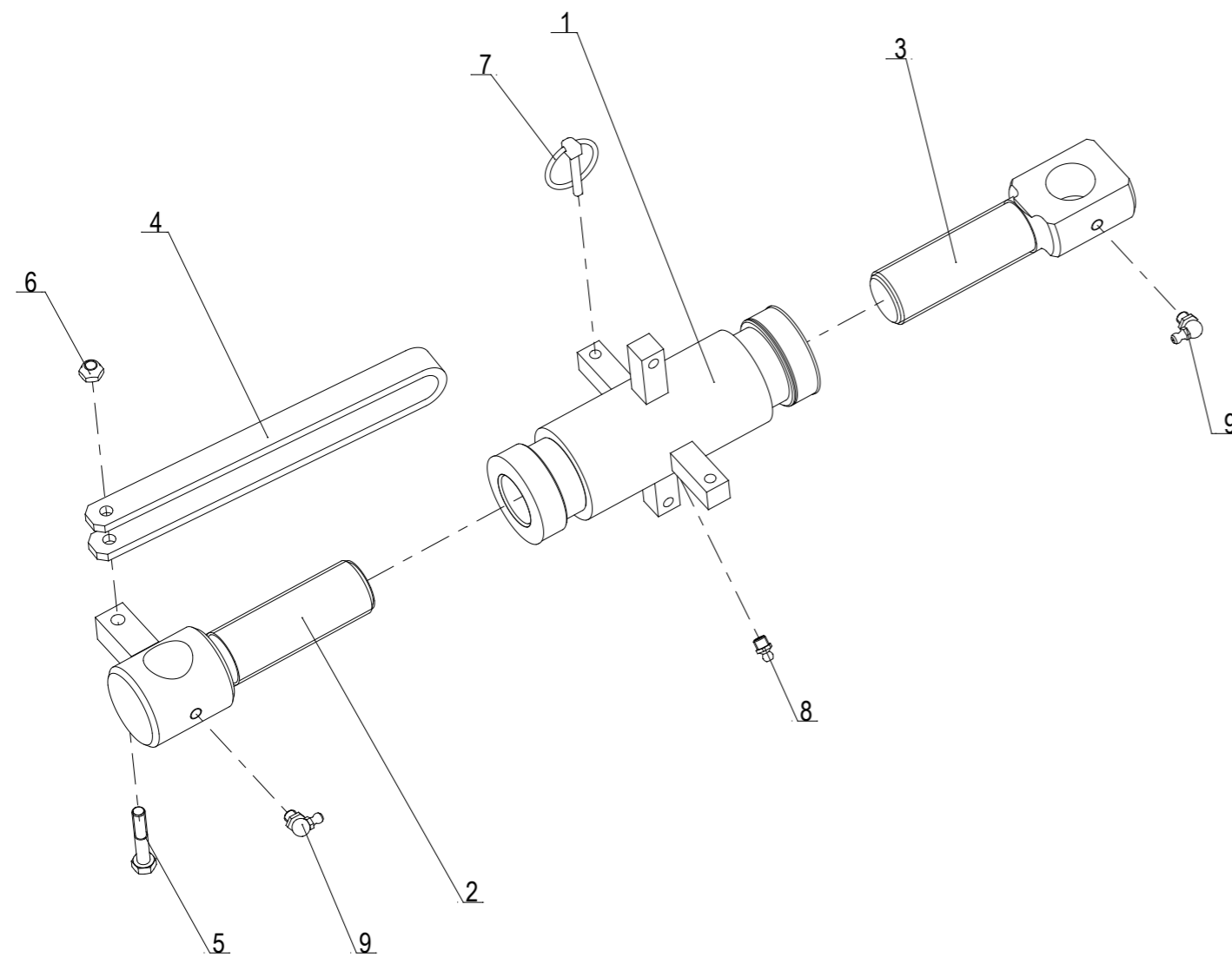
*Mechanical front furrow*



Index	Quantité	Reference	Designation
1	1	5GB122 327	Mechanical Front adjuster nut
2	1	5GB122 328	Mechanical Front adjuster eye end
3	1	5GB122 386	Retainer / Mechanical front adjuster
4	1	5GB122 389	Mechanical Front adjuster outer pin
5	1	5GBVL 101	Lynch pin "Clips" Dia6 Z
6	1	5GBVL 222	Thick roll pin - 8x45 mm, ZNBL
7	2	5GBVM 201	Grease nipple - M8, thread125



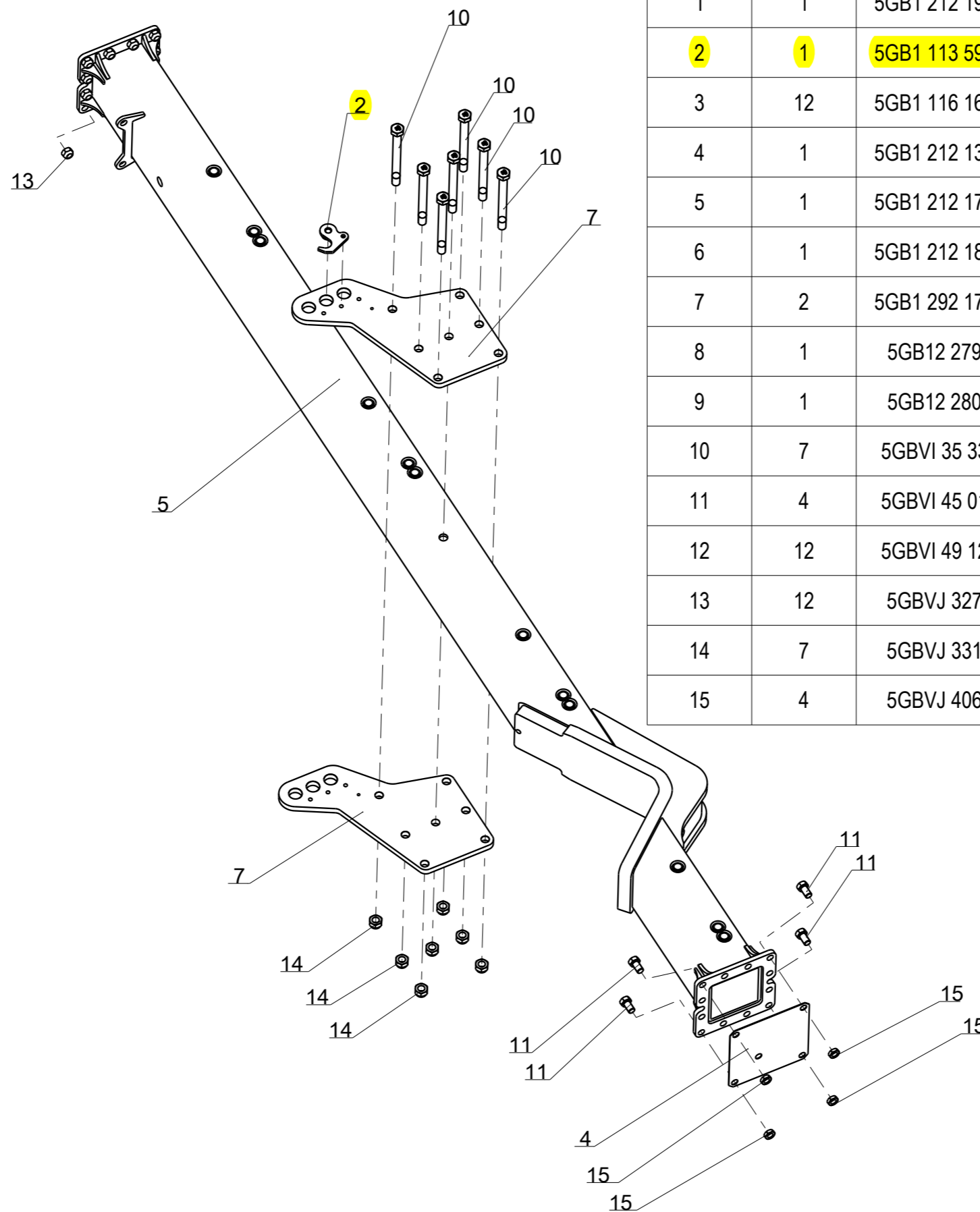
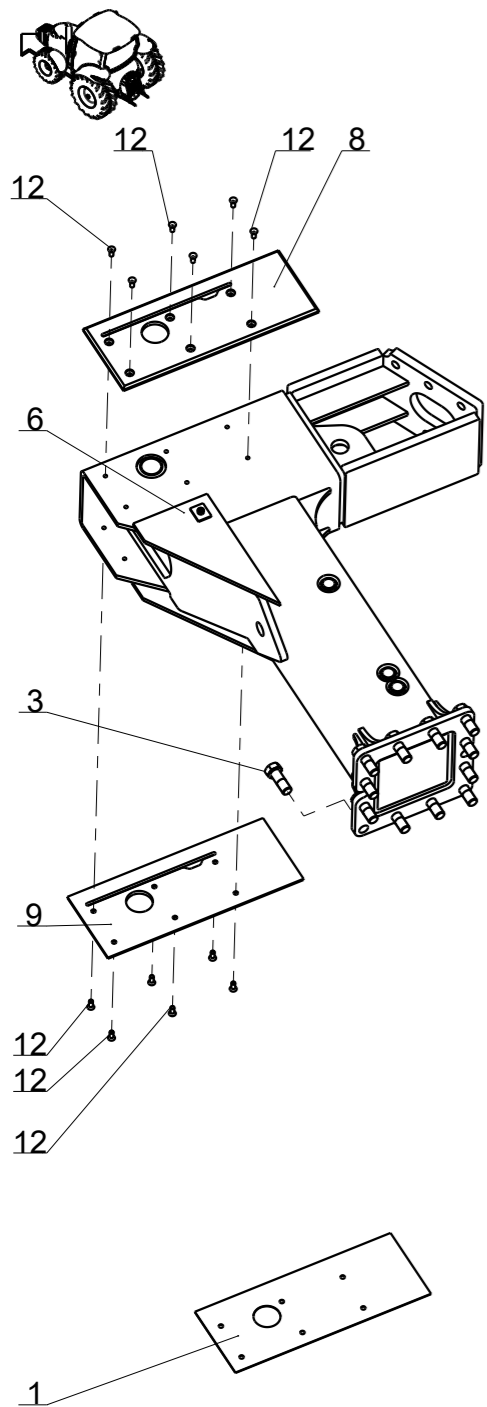
*Angle de roue Mecanique, Monoroue*  
*Mechanical wheel alignment*



<i>Index</i>	<i>Quantite</i>	<i>Reference</i>	<i>Designation</i>
1	1	5GB1 292 105	Central barrel nut for adjuster
2	1	5GB1 292 106	Inner eye end screw for adjuster - thread M36 R.H.
3	1	5GB1 292 107	Outer eye end screw for adjuster - thread M36 L.H.
4	1	5GB1 292 108	Handle / wheel arm
5	1	5GBVI 27 09	Screw H M8x 45 - 8.8 ZNBL
6	1	5GBVJ 320	Nyloc nut std H M 8 - 8 ZNBL
7	1	5GBVL 101	Lynch pin "Clips" Dia6 Z
8	1	5GBVM 201	Grease nipple - M8, thread125
9	2	5GBVM 203	Grease nipple 90° M8x125

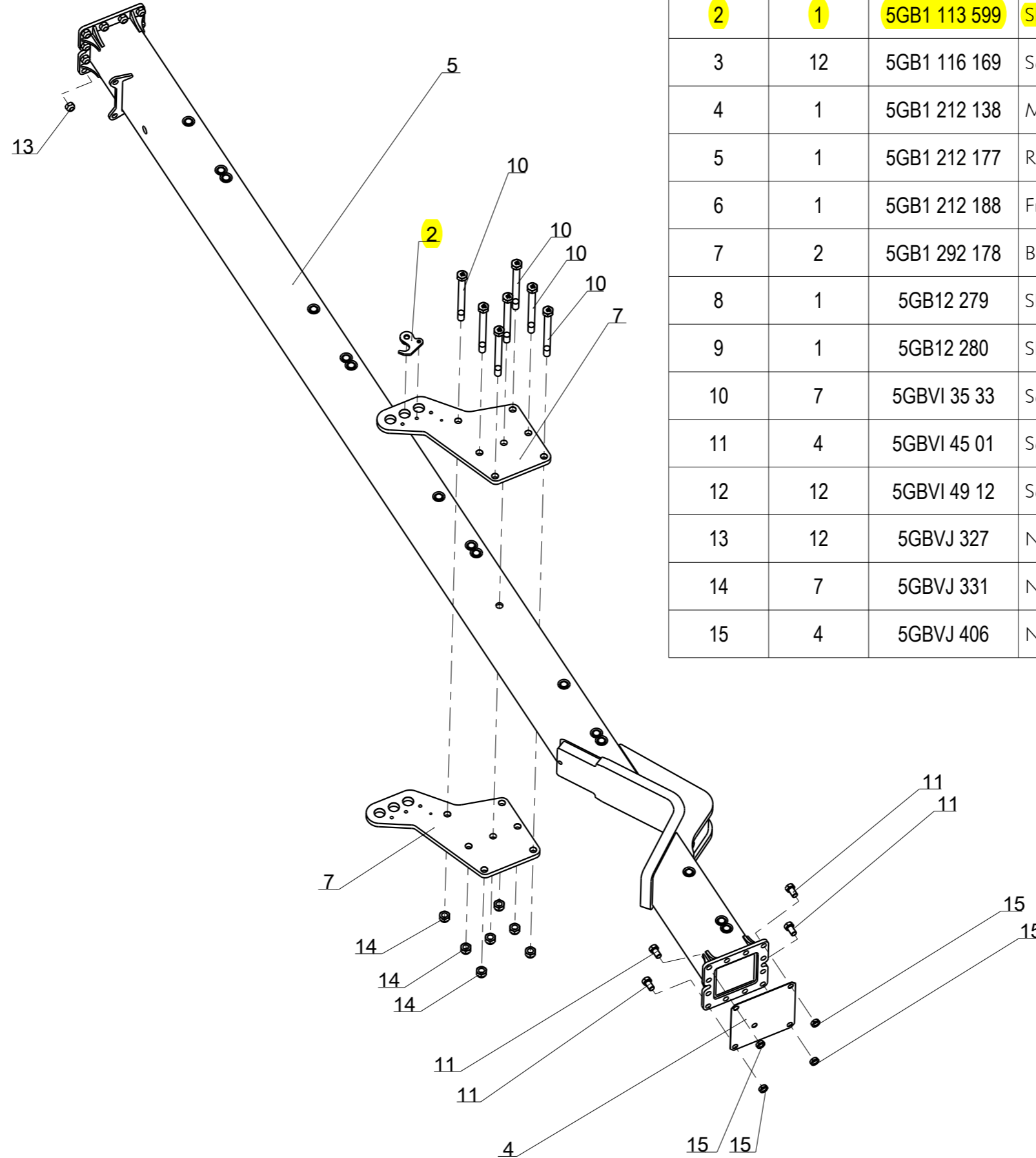
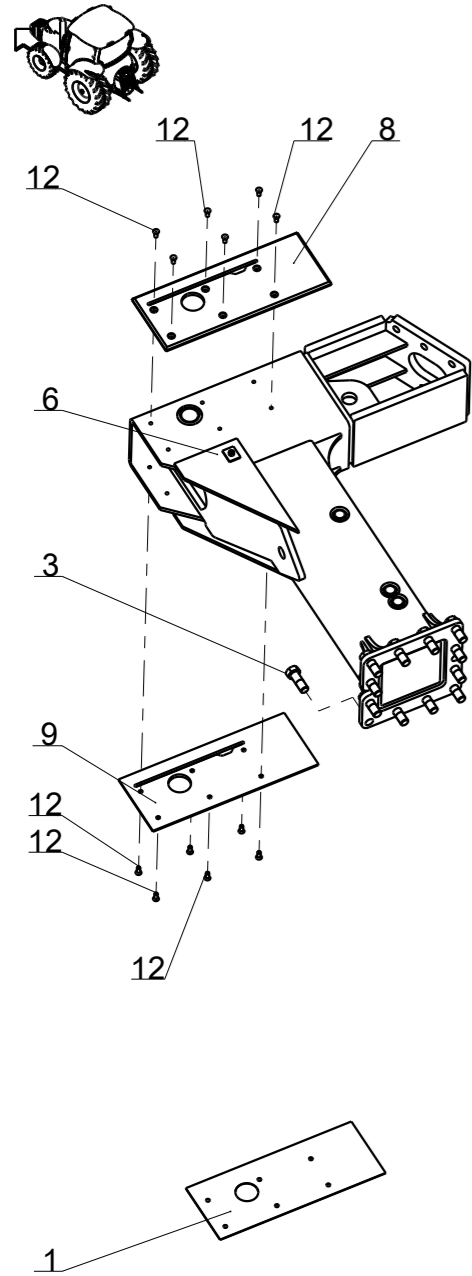
*Caisson 5 corps (1000) Monoroue (Av+4)*

*Beam 5-furrow (1000) (Front+4)*



Repere	Quantité	Reference	Designation
1	1	5GB1 212 191	Spacer of wedging (option)
<b>2</b>	<b>1</b>	<b>5GB1 113 599</b>	<b>Shaft stop</b>
3	12	5GB1 116 169	Screw H M20x55 - 10.9 ZNBL, thread /27 mm
4	1	5GB1 212 138	Main beam closing plate
5	1	5GB1 212 176	Rear beam 4-furrow (1000)
6	1	5GB1 212 188	Front element / Beam
7	2	5GB1 292 178	Beam plate
8	1	5GB12 279	Slide protection plate L.H.
9	1	5GB12 280	Slide protection plate R.H.
10	7	5GBVI 35 33	Screw H M24x250 - 10.9 ZNBL, thread /36 mm
11	4	5GBVI 45 01	Screw H M20x 35 - 8.8 ZNBL
12	12	5GBVI 49 12	Screw FHC M8x 20 - 10.9 ZNBL
13	12	5GBVJ 327	Nyloc nut std H M 20 - 8 ZNBL
14	7	5GBVJ 331	Nyloc nut std H M 24 - 8 ZNBL
15	4	5GBVJ 406	Nut Hm M20 - 8 ZNBL

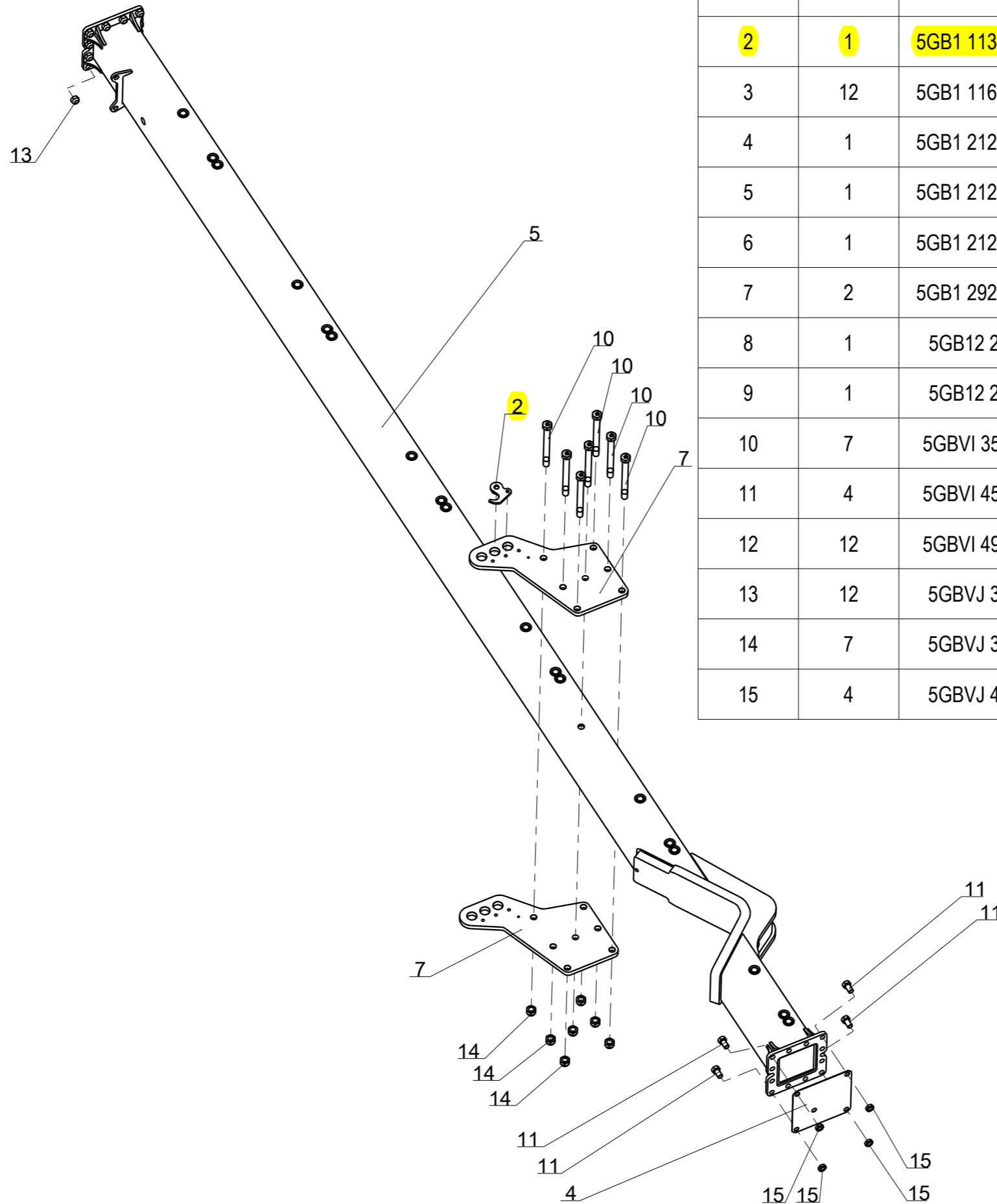
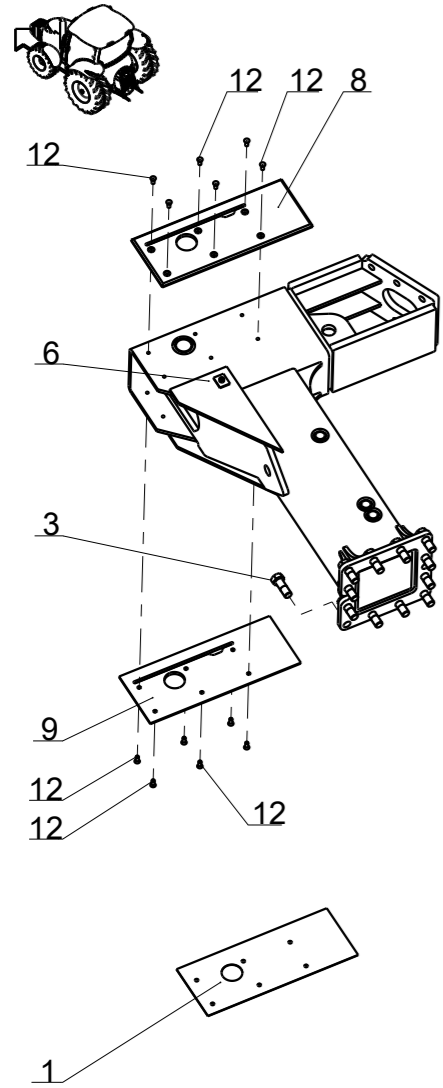
*Caisson 6 corps (1000) Monoroue Cpte (Av+5)*  
*Beam 6-furrow (1000) (Front+5)*



Repere	Quantité	Reference	Designation
1	1	5GB1 212 191	Spacer of wedging (option)
<b>2</b>	<b>1</b>	<b>5GB1 113 599</b>	<b>Shaft stop</b>
3	12	5GB1 116 169	Screw H M2Ox55 - 10.9 ZNBL, thread /27 mm
4	1	5GB1 212 138	Main beam closing plate
5	1	5GB1 212 177	Rear beam 5-furrow (1000)
6	1	5GB1 212 188	Front element / Beam
7	2	5GB1 292 178	Beam plate
8	1	5GB12 279	Slide protection plate L.H.
9	1	5GB12 280	Slide protection plate R.H.
10	7	5GBVI 35 33	Screw H M24x250 - 10.9 ZNBL, thread /36 mm
11	4	5GBVI 45 01	Screw H M2Ox 35 - 8.8 ZNBL
12	12	5GBVI 49 12	Screw FHC M8x 20 - 10.9 ZNBL
13	12	5GBVJ 327	Nyloc nut std H M 20 - 8 ZNBL
14	7	5GBVJ 331	Nyloc nut std H M 24 - 8 ZNBL
15	4	5GBVJ 406	Nut Hm M2O - 8 ZNBL

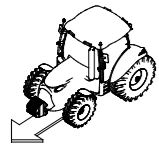


*Caisson 7 corps (1000) Monoroue Cpte (Av+6)*  
*Beam 7-furrow (1000) (Front+6)*

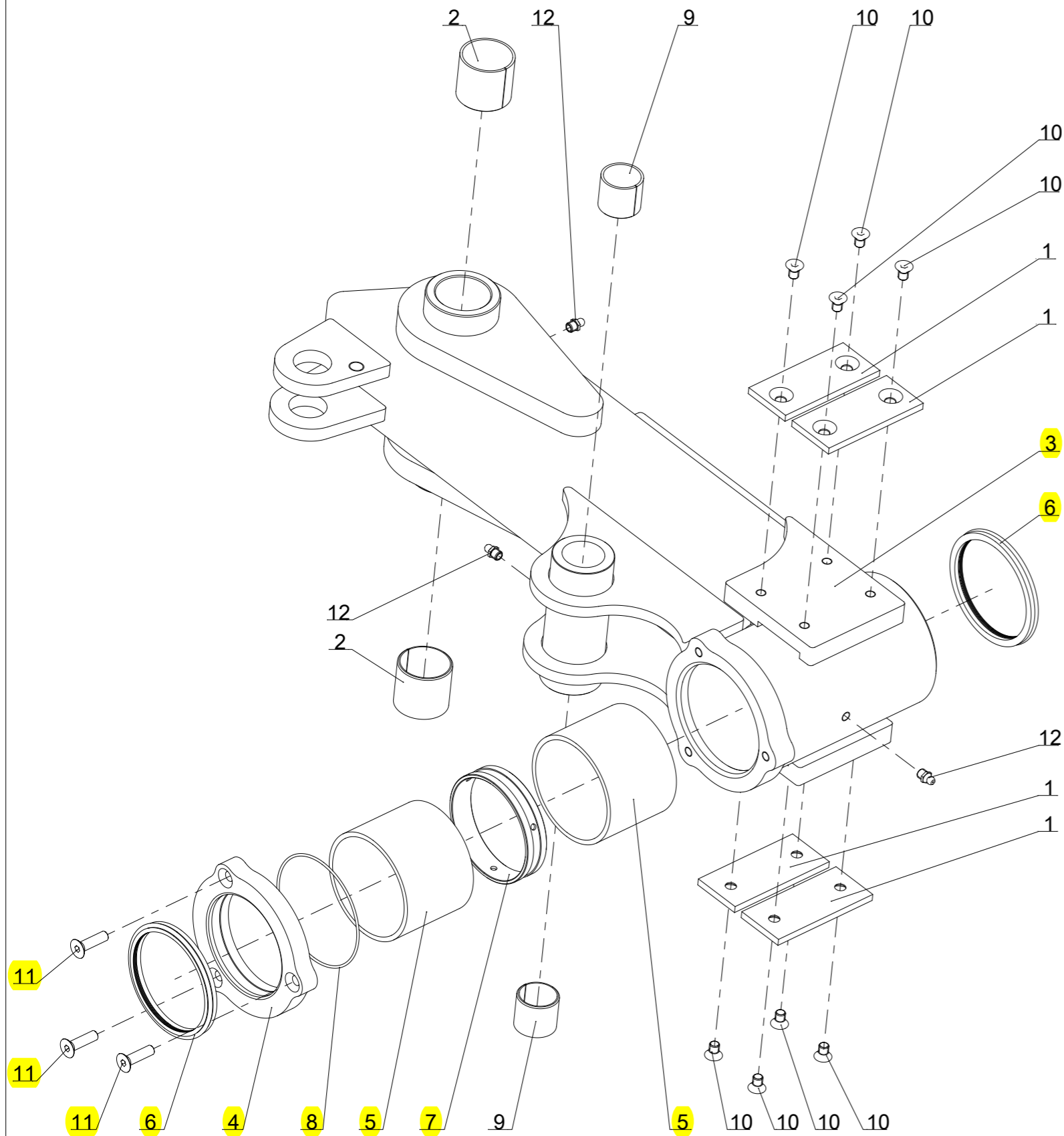


Repere	Quantité	Reference	Designation
1	1	5GB1 212 191	Spacer of wedging (option)
<b>2</b>	<b>1</b>	<b>5GB1 113 599</b>	<b>Shaft stop</b>
3	12	5GB1 116 169	Screw H M20x55 - 10.9 ZNBL, thread /27 mm
4	1	5GB1 212 138	Main beam closing plate
5	1	5GB1 212 178	Rear beam 6-furrow (1000)
6	1	5GB1 212 188	Front element / Beam
7	2	5GB1 292 178	Beam plate
8	1	5GB12 279	Slide protection plate L.H.
9	1	5GB12 280	Slide protection plate R.H.
10	7	5GBVI 35 33	Screw H M24x250 - 10.9 ZNBL, thread /36 mm
11	4	5GBVI 45 01	Screw H M20x 35 - 8.8 ZNBL
12	12	5GBVI 49 12	Screw FHC M8x 20 - 10.9 ZNBL
13	12	5GBVJ 327	Nyloc nut std H M 20 - 8 ZNBL
14	7	5GBVJ 331	Nyloc nut std H M 24 - 8 ZNBL
15	4	5GBVJ 406	Nut Hm M20 - 8 ZNBL





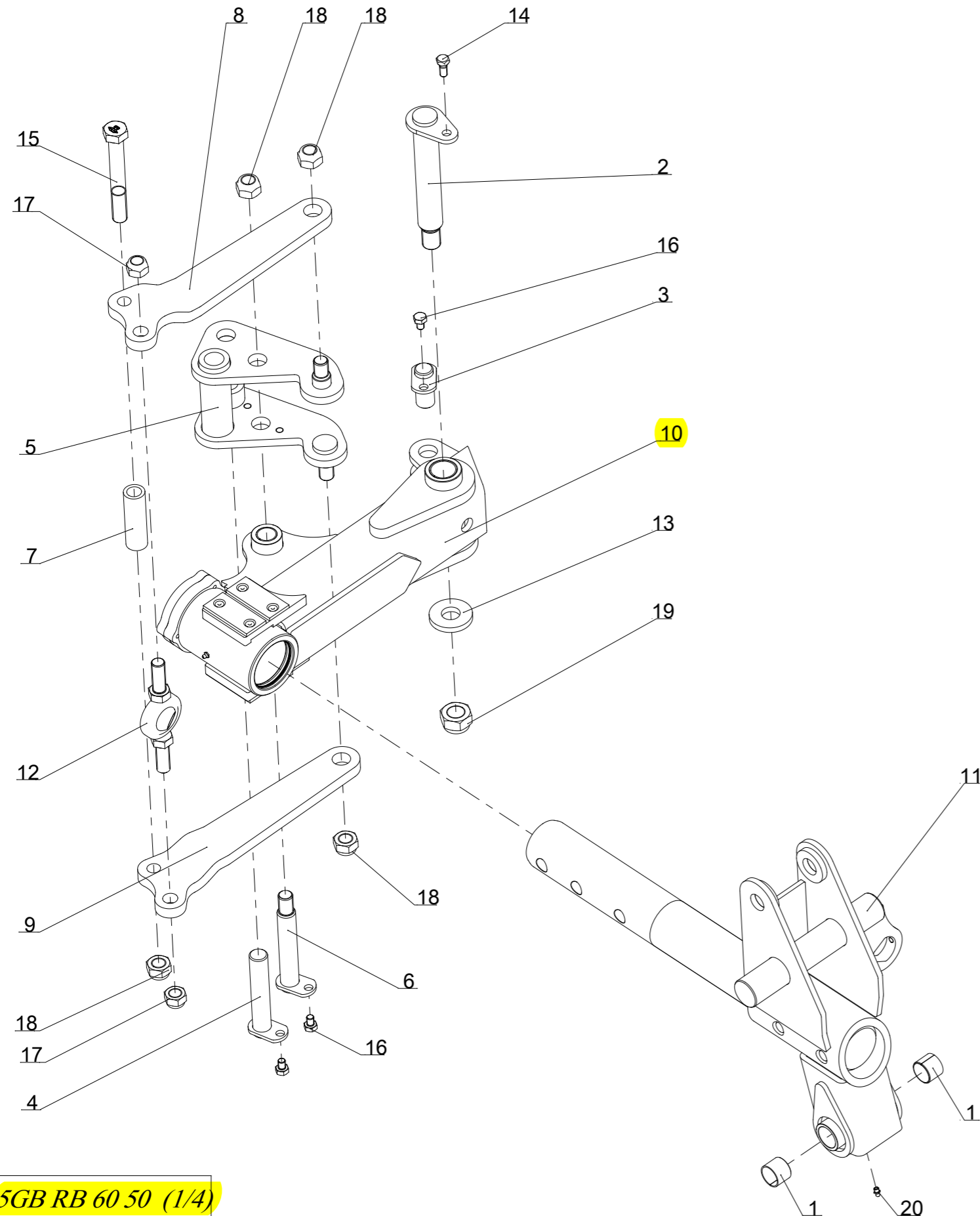
## Rear bearing, mounted



Index	Quantite	Reference	Designation
1	4	5GB 1 118 977 U	Plastic plate - 6x44x100
2	2	5GB 1 231 103	Bush steel Dia 40x44 Lg=40
3	1	5GB 1 292 232	Rear bearing
4	1	5GB 1 292 233	Cover / bearing
5	2	5GB 1 292 234	Composite bush Dia85x93 Lg:70
6	2	5GB 1 292 235	Scraper 85x97.2x8.1
7	1	5GB 1 292 236	Spacer
8	1	5GB 1 292 237	O-Ring 92x2
9	2	5GB 198 231	Bush steel Dia 30x34 Lg=30
10	8	5GB VI 49 02	Screw FHC M8x 12 - 10.9 Black
11	3	5GB VI 49 28	Screw FHC M 8x 30 - 10.9 ZNBL
12	3	5GB VM 201	Grease nipple - M8, thread125



Wheel 1115 16.0/70-20, Single wheel, 8 hole

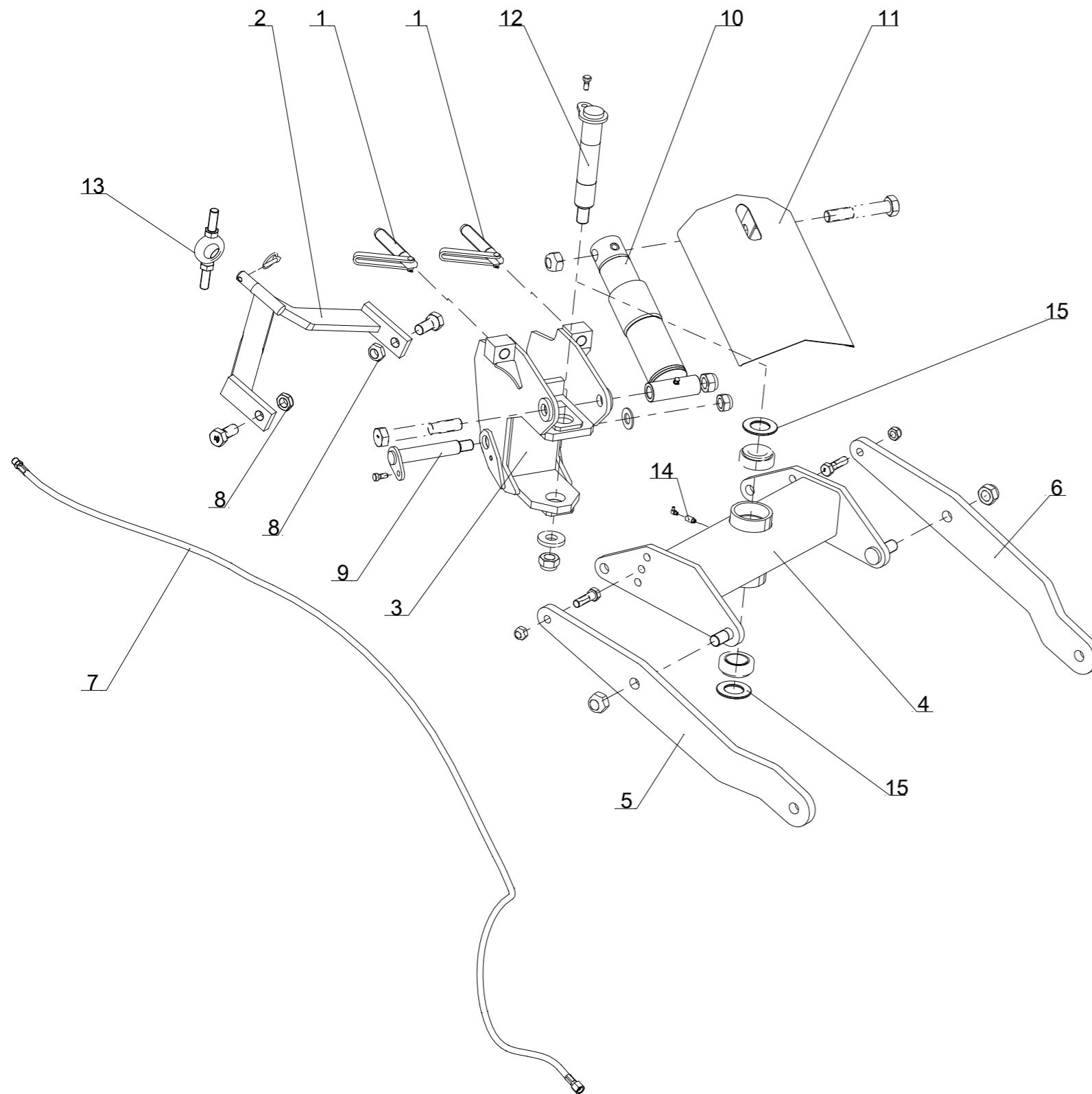


5GB RB 60 50 (1/4)

Index	Quantite	Reference	Designation
1	2	5GB1 118 817	Bush steel Dia 35x39 Lg=30
2	1	5GB1 292 103	Rear bearing articulation pin - Dia 40, lg. : 280 mm
3	1	5GB1 292 109	Outer pin for wheel angle adjuster - Dia 30, lg. :75 mm
4	1	5GB1 292 110	Inner pin for wheel angle adjuster - Dia 30, lg. : 170 mm
5	1	5GB1 292 111	Direction pivot link
6	1	5GB1 292 112	Direction pivot link pin - Dia 30, lg. : 200 mm, thread 3.00
7	1	5GB1 292 114	Spacer for steering connecting rod
8	1	5GB1 292 225	Steering rod / wheel L.H.
9	1	5GB1 292 226	Steering rod / wheel R.H.
10	1	5GB1 292 238	Rear bearing, mounted
11	1	5GB12 362	Fixed wheel bracket
12	1	5GB12 705	Axle swivel
13	1	5GB122 106	Special washer - 30.5x70x10
14	1	5GBVI 24 33	Screw H conical M12x22 lg. : 36
15	1	5GBVI 35 16	Screw H M24x180 - 8.8 ZNBL
16	3	5GBVI 41 01	Screw H M12x 16 - 8.8 ZNBL
17	2	5GBVJ 329	Nyloc nut std H M 22- 8 ZNBL
18	4	5GBVJ 331	Nyloc nut std H M 24 - 8 ZNBL
19	1	5GBVJ 335	Nyloc nut std H M 30 - 8 ZNBL - thread 200
20	1	5GBVM 201	Grease nipple - M8, thread125



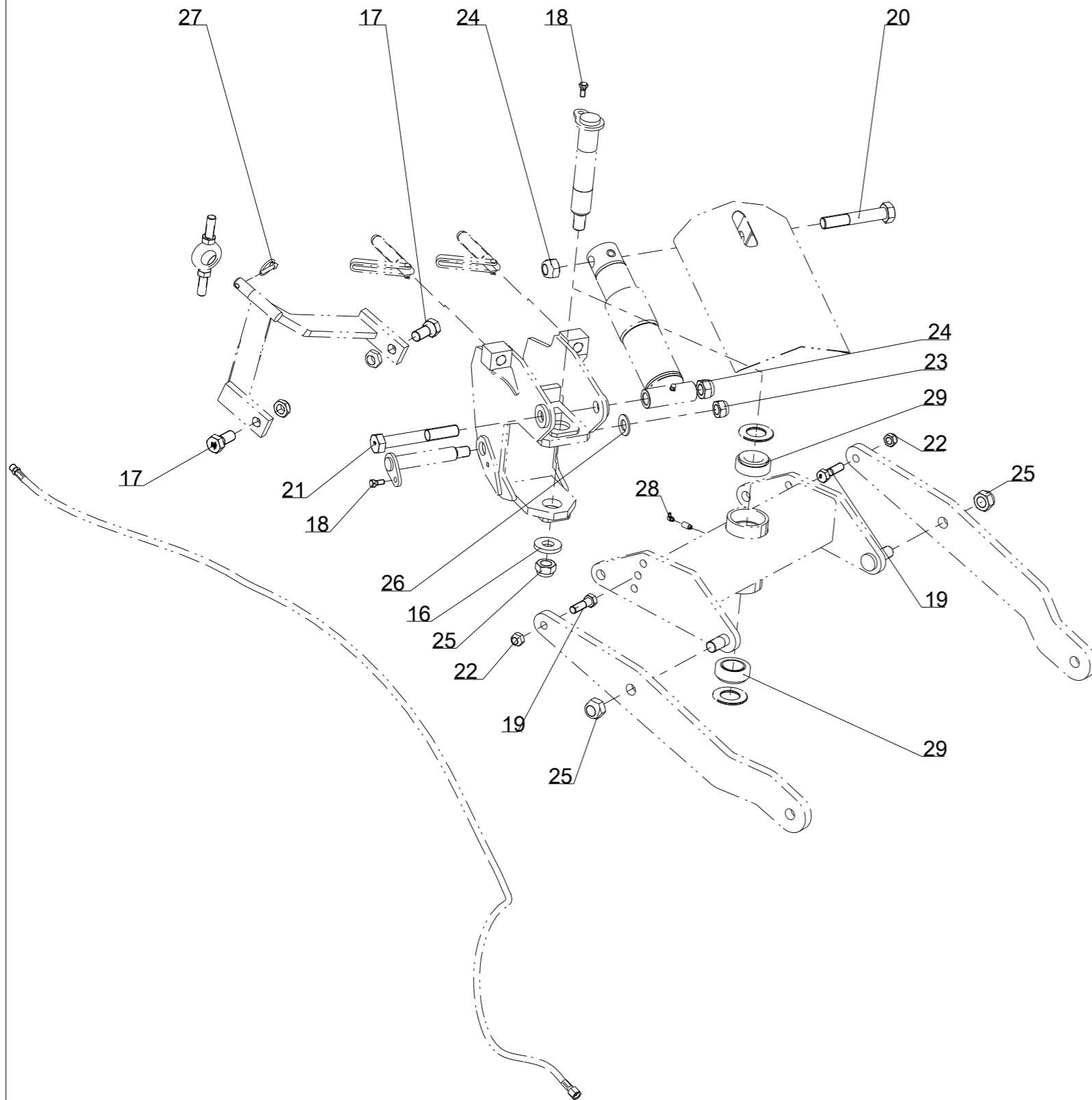
*Wheel 1115 16.0/70-20, Single wheel, 8 hole*



<i>Index</i>	<i>Quantite</i>	<i>Reference</i>	<i>Designation</i>
1	2	5GB1 122 376	Inclination adjustment screw (new) M30, Lg. = 190mm Z
2	1	5GB1 292 115	Steering yoke
3	1	5GB1 292 116	Wheel bracket articulation
4	1	5GB1 292 117	Wheel housing
5	1	5GB1 292 147	Housing support large wheel L.H.
6	1	5GB1 292 148	Housing support large wheel R.H.
7	1	5GB1 292 169	Hydraulic hose - Dia 5/16", lg. : 3830 mm, F12-MVA18
8	2	5GB1 292 182	Nyloc nut special MHB M 27 - thread 200
9	1	5GB12 355	Pin for wheel bracket articulation - Dia 35,lg. : 235 mm, thread 2.00
10	1	5GB12 359	Ram SA 85 Str180
11	1	5GB12 361	Cover protection for wheel cylinder
12	1	5GB12 701	Axle pin D:52 Lg:325 M30x2
13	1	5GB12 705	Axle swivel
14	1	5GB12 738	Greaser extension M10 / M8
15	2	5GB122 104	Special washer for hub or wheel pivot - Dia 89.5 x 50, thick. : 5 mm



Wheel 1115 16.0/70-20, Single wheel, 8 hole

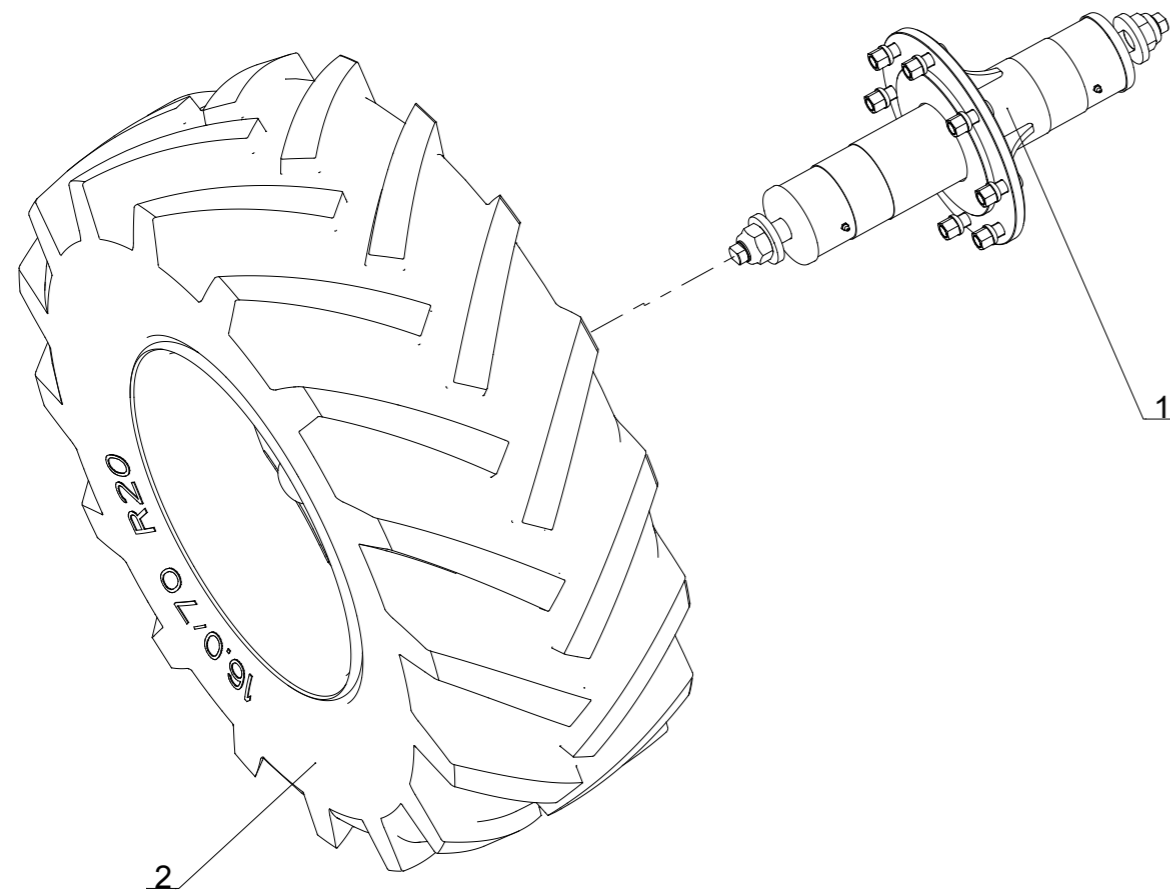


Index	Quantite	Reference	Designation
16	1	5GB122 106	Special washer - 30.5x70x10
17	2	5GB122 265	Screw H M27x 60 - 10.9 Znbl, thread /45mm, thread200
18	2	5GBVI 24 33	Screw H conical M12x22 lg. : 36
19	2	5GBVI 33 06	Screw H M20x 70 - 8.8 ZNBL
20	1	5GBVI 37 02	Screw H M30x180 - 8.8 ZNBL
21	1	5GBVI 37 04	Screw H M30x220 - 8.8 ZNBL
22	2	5GBVJ 327	Nyloc nut std H M 20 - 8 ZNBL
23	1	5GBVJ 333	Nyloc nut std H M 27 - 8 ZNBL - thread 200
24	2	5GBVJ 334	Nyloc nut std H M 30 - 8 ZNBL
25	3	5GBVJ 335	Nyloc nut std H M 30 - 8 ZNBL - thread 200
26	1	5GBVK 512	Flat washer MU27 ZNBL
27	1	5GBVL 103	Lynch pin "Clips" Dia10 Z
28	1	5GBVM 203	Grease nipple 90° M8x125
29	2	5GBVN 33 210	Taper roller bearing



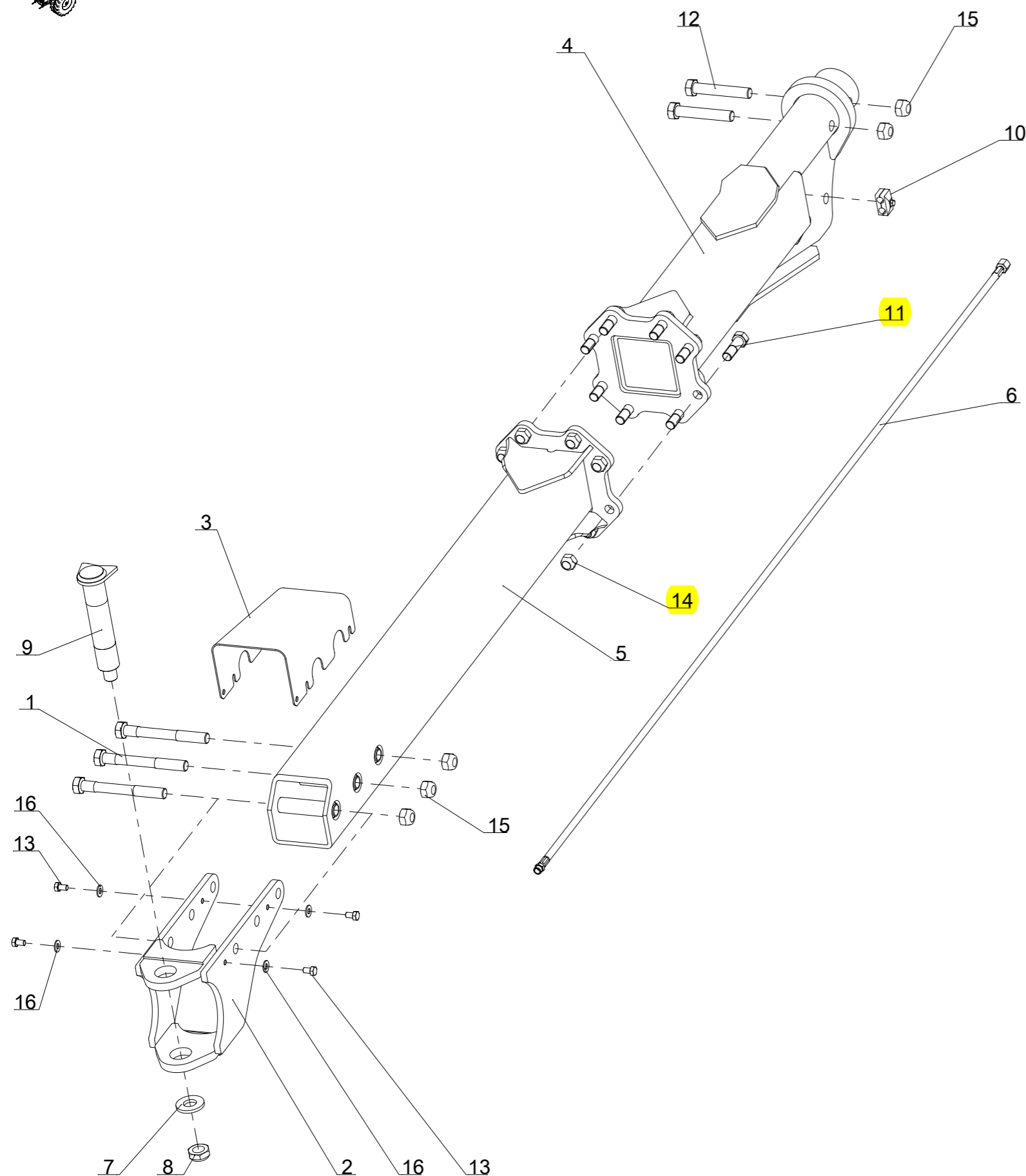
Wheel 1115 16.0/70-20, Single wheel, 8 hole

Index	Quantite	Reference	Designation
1	1	5GB1 292 195	Kit - Wheel hub, 8 studs
2	1	5GB198 734 DY	Cplt wheel - 16.0/70-20 TL AS504,8 studs, R.H. tractor, Yellow rim





*Barre de Stab., Monoroue hors-raie 100 (1+4) 2583*  
*Stabilization bar, semi-mounted single wheel 1000 (1+4) 2583, on-land*



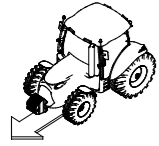
Repere	Quantité	Reference	Designation
1	3	5GB1 118 357	Screw H M24x210 - 10.9 ZNBL, thread /36 mm
2	1	5GB1 212 410	Rear articulation of stabilization bar
3	1	5GB1 212 411	Rear protection plate / stabilization bar
4	1	5GB1 212 421	Front stabilization bar (Lg:1100)
5	1	5GB1 212 422	Rear stabilization bar 5-100, (Lg:1483)
6	1	5GB1 212 431	Hydr. hose 5/16 Lg:2680mm F12-M12
7	1	5GB1 233 264	Special flat washer - 30.5x65x7
8	1	5GB1 233 267	Nyloc nut H M30, thread 2.00, 20 mm thick.
9	1	5GB1 292 308	Welded rear axle
10	1	5GB122 358	Double hose fixation 2x16 cpl.
11	8	5GBVI 34 18	Screw H M22x 70 - 10.9 ZNBL, thread /34mm, thread150
12	2	5GBVI 35 08	Screw H M24x140 - 8.8 ZNBL
13	4	5GBVI 41 02	Screw H M12x 20 - 8.8 ZNBL
14	8	5GBVJ 330	Nyloc nut std H M 22 - 8 ZNBL - thread 150
15	5	5GBVJ 331	Nyloc nut std H M 24 - 8 ZNBL
16	4	5GBVK 504	Flat washer MU12 ZNBL

5GBRB533101 (1/1)

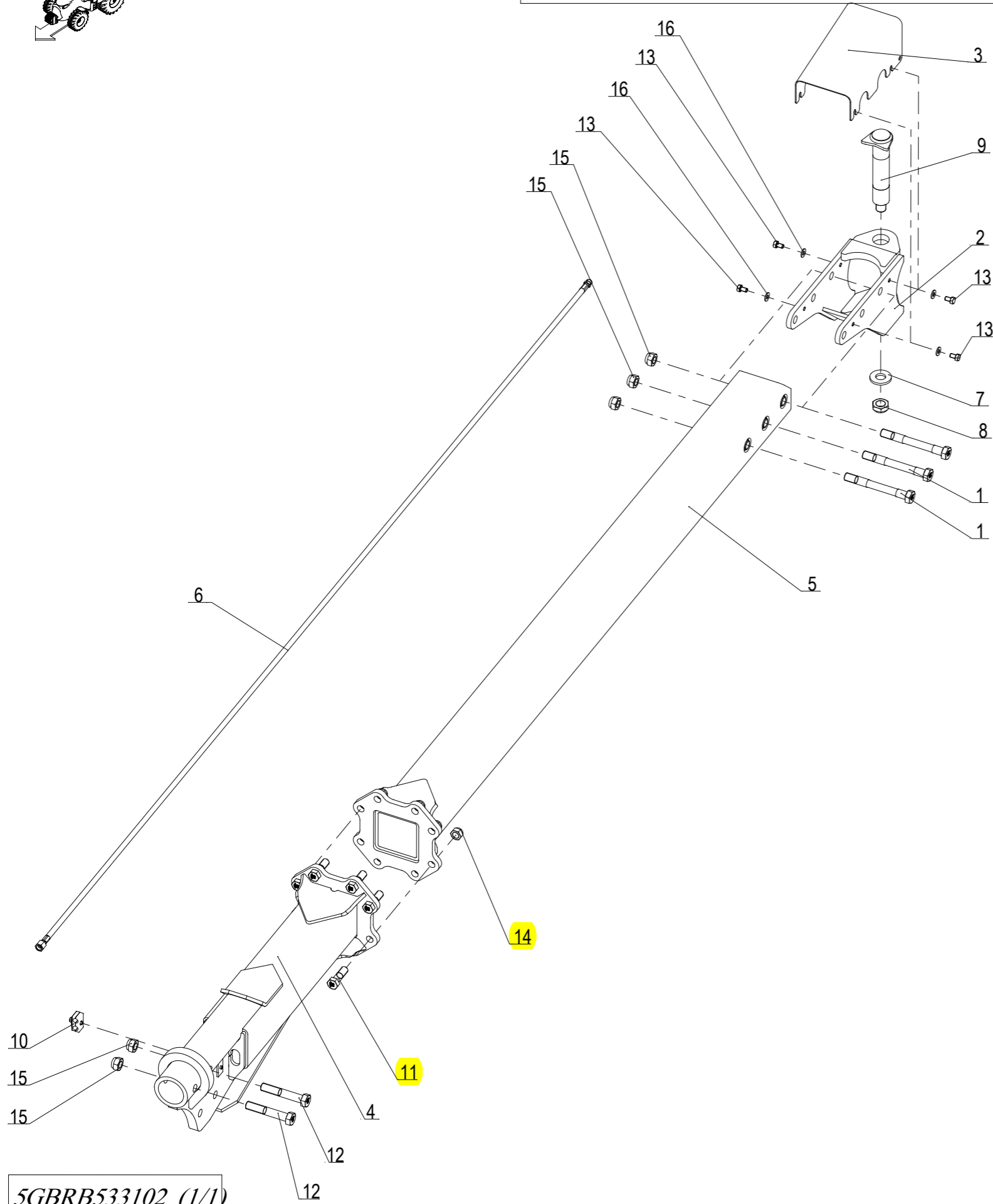
*if need for hydraulic hose protection, order the desired length*

Picture	Qty / Количество	Reference / N° по каталогу	Designation / Наименование
	meter	5GB1116581	Plastic flat spring Dia 15mm Рессора плоская пластмассовая Dia15mm
	meter	5GB1116582	Plastic flat spring Dia 20mm Рессора плоская пластмассовая Dia20mm
	meter	5GB1116580	Plastic flat spring Dia 13mm Рессора плоская пластмассовая Dia13mm
	meter	5GB1116546	Plastic flat spring Dia25-40mm Рессора плоская пластмассовая Dia25-40mm





*Barre de stab., Monoroue hors-raie 1000, (1+5), 3568mm*  
*Stabilization bar, semi-mounted single wheel 1000 (1+5) 3568mm, on-land*

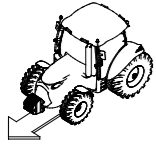


5GBRB533102 (1/1)

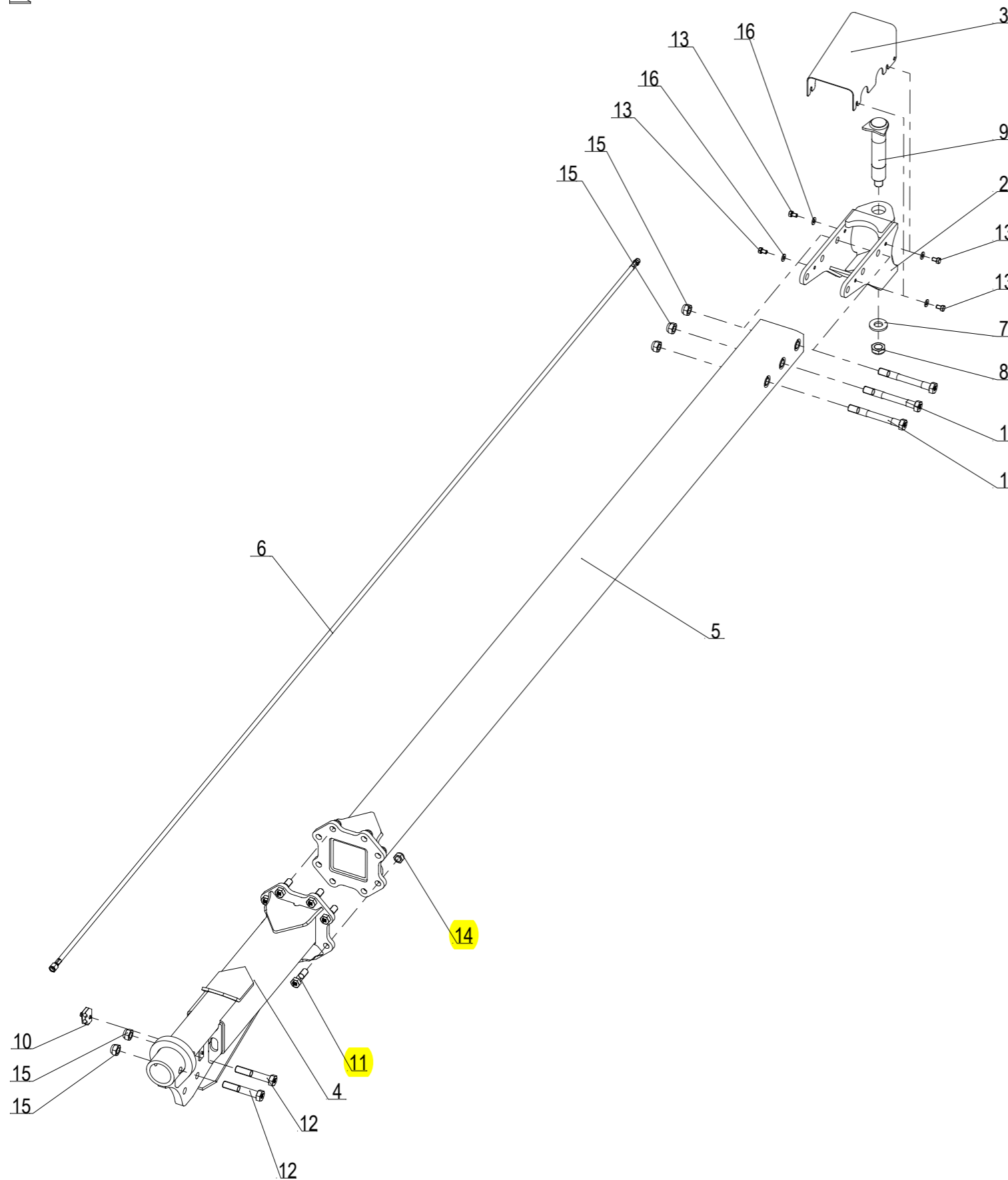
Repere	Quantité	Reference	Designation
1	3	5GB1 118 357	Screw H M24x210 - 10.9 ZNBL, thread /36 mm
2	1	5GB1 212 410	Rear articulation of stabilization bar
3	1	5GB1 212 411	Rear protection plate / stabilization bar
4	1	5GB1 212 421	Front stabilization bar (Lg:1100)
5	1	5GB1 212 423	Rear stabilization bar 6/100 (Lg:2468)
6	1	5GB1 212 432	Hydr. hose 5/16 Lg:3670mm F12-M12
7	1	5GB1 233 264	Special flat washer - 30.5x65x7
8	1	5GB1 233 267	Nyloc nut H M30, thread 2.00, 20 mm thick.
9	1	5GB1 292 308	Welded rear axle
10	1	5GB122 358	Double hose fixation 2x16 cpl.
11	8	5GBVI 34 18	Screw H M22x 70 - 10.9 ZNBL, thread /34mm, thread150
12	2	5GBVI 35 08	Screw H M24x140 - 8.8 ZNBL
13	4	5GBVI 41 02	Screw H M12x 20 - 8.8 ZNBL
14	8	5GBVJ 330	Nyloc nut std H M 22 - 8 ZNBL - thread 150
15	5	5GBVJ 331	Nyloc nut std H M 24 - 8 ZNBL
16	4	5GBVK 504	Flat washer MU12 ZNBL

*if need for hydraulic hose protection, order the desired length*

Picture	Qty / Количество	Reference / N° по каталогу	Designation / Наименование
	meter	5GB1116581	Plastic flat spring Dia 15mm Рессора плоская пластмассовая Dia15mm
	meter	5GB1116582	Plastic flat spring Dia 20mm Рессора плоская пластмассовая Dia20mm
	meter	5GB1116580	Plastic flat spring Dia 13mm Рессора плоская пластмассовая Dia13mm
	meter	5GB1116546	Plastic flat spring Dia25-40mm Рессора плоская пластмассовая Dia25-40mm



*Barre de stab. Monoroue hors-raie 1000 (1+6) 4563*  
*Stabilization bar, semi-mounted single wheel (1+6) 4563mm, on-land*



Repere	Quantité	Reference	Designation
1	3	5GB1 118 357	Screw H M24x210 - 10.9 ZNBL, thread /36 mm
2	1	5GB1 212 410	Rear articulation of stabilization bar
3	1	5GB1 212 411	Rear protection plate / stabilization bar
4	1	5GB1 212 421	Front stabilization bar (Lg:1100)
5	1	5GB1 212 424	Rear stabilization bar 7/100 (Lg:3463)
6	1	5GB1 212 433	Hydr. hose 5/16 Lg:4660mm E12-M12
7	1	5GB1 233 264	Special flat washer - 30.5x65x7
8	1	5GB1 233 267	Nyloc nut H M30, thread 2.00, 20 mm thick.
9	1	5GB1 292 308	Welded rear axle
10	1	5GB122 358	Double hose fixation 2x16 cpl.
11	8	5GBVI 34 18	Screw H M22x 70 - 10.9 ZNBL, thread /34mm, thread150
12	2	5GBVI 35 08	Screw H M24x140 - 8.8 ZNBL
13	4	5GBVI 41 02	Screw H M12x 20 - 8.8 ZNBL
14	8	5GBVJ 330	Nyloc nut std H M 22 - 8 ZNBL - thread 150
15	5	5GBVJ 331	Nyloc nut std H M 24 - 8 ZNBL
16	4	5GBVK 504	Flat washer MU12 ZNBL

5GBRB533103 (1/1)

*if need for hydraulic hose protection, order the desired length*

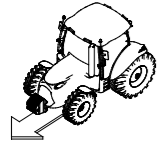
Picture	Qty / Количество	Reference / N° по каталогу	Designation / Наименование
	meter	1 116 581	Plastic flat spring Dia 15mm Рессора плоская пластмассовая Dia15mm
	meter	1 116 582	Plastic flat spring Dia 20mm Рессора плоская пластмассовая Dia20mm
	meter	1 116 580	Plastic flat spring Dia 13mm Рессора плоская пластмассовая Dia13mm
	meter	1 116 546	Plastic flat spring Dia25-40mm Рессора плоская пластмассовая Dia25-40mm

10-Jul-13

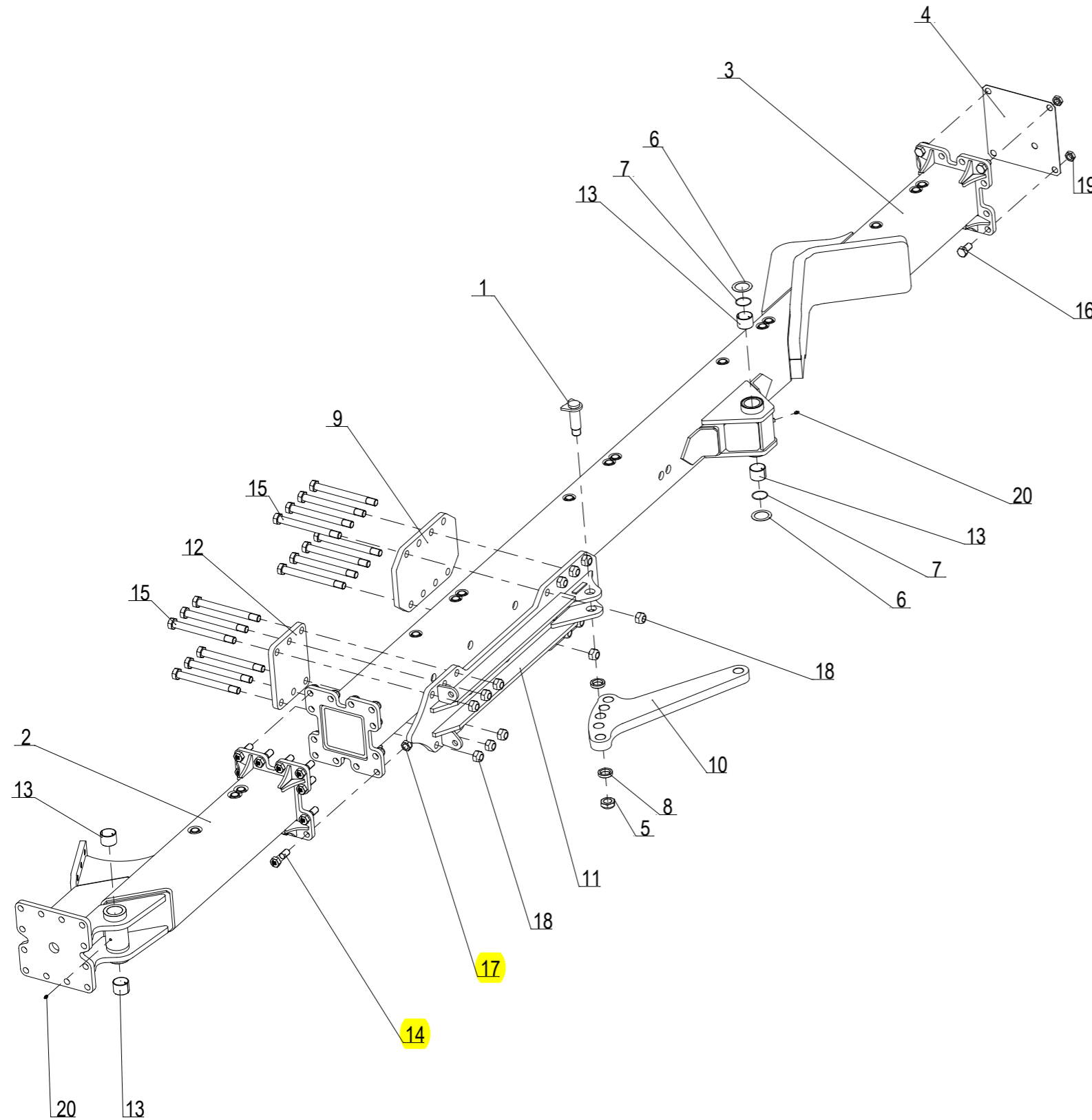
Revision : C

MaJ : 10-Mar-17

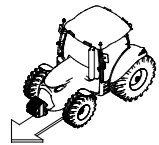




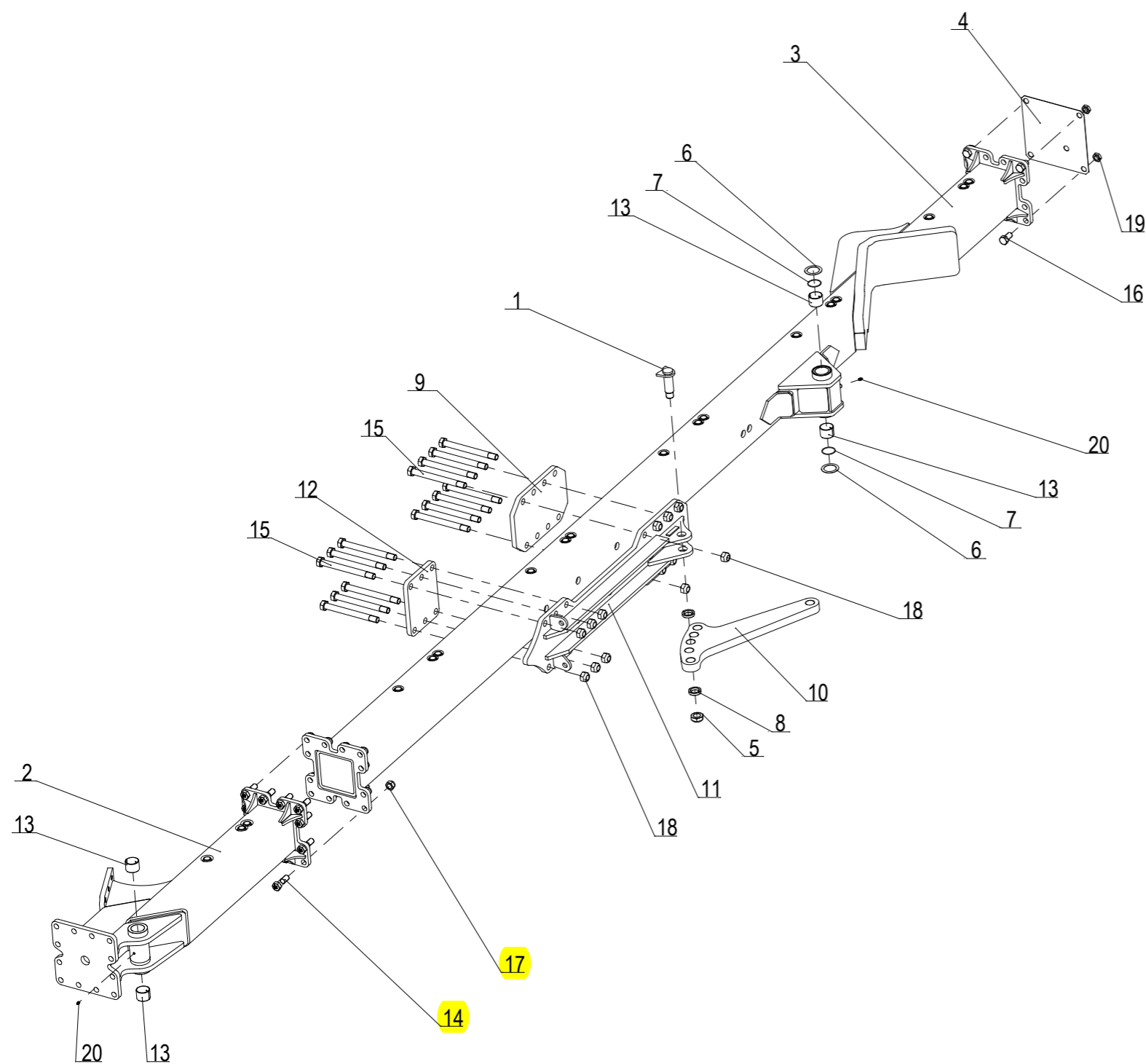
*Caisson Monoroue 5/1000 (Av + 4)*  
*Beam 5/1000 Semi-mounted single wheel (Front part+4)*



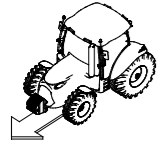
Repere	Quantité	Reference	Designation
1	1	5GB1 113 832	Rear axle of the working width cylinder
2	1	5GB1 212 401	Welded front piece
3	1	5GB1 212 402	Welded rear beam - 4-furrow 100
4	1	5GB1 214 130	Front end plate
5	1	5GB1 233 267	Nyloc nut H M30, thread 2.00, 20 mm thick.
6	2	5GB1 233 269	Special flat washer - 50x70x1
7	2	5GB1 233 271	O-Ring Dia 50x2,5
8	2	5GB1 234 112	Spacer washer 50x35.5x10
9	1	5GB1 292 360	Support mounting plate
10	1	5GB1 292 362	Arm adjustable wheel angle
11	1	5GB1 292 364	Arm support wheel angle reinforced 100
12	1	5GB1 292 365	Plate against support wheel angle reinforced
13	6	5GB122 246	Bronze bushing - Dia50x55, lg. : 40 mm
14	12	5GBVI 34 18	Screw H M22x 70 - 10.9 ZNBL, thread /34mm, thread150
15	14	5GBVI 35 33	Screw H M24x250 - 10.9 ZNBL, thread /36 mm
16	4	5GBVI 46 01	Screw H M22x 40 - 8.8 ZNBL
17	12	5GBVJ 330	Nyloc nut std H M 22 - 8 ZNBL - thread 150
18	14	5GBVJ 331	Nyloc nut std H M 24 - 8 ZNBL
19	4	5GBVJ 407	Nut Hm M22 - 8 ZNBL
20	2	5GBVM 201	Grease nipple - M8, thread125



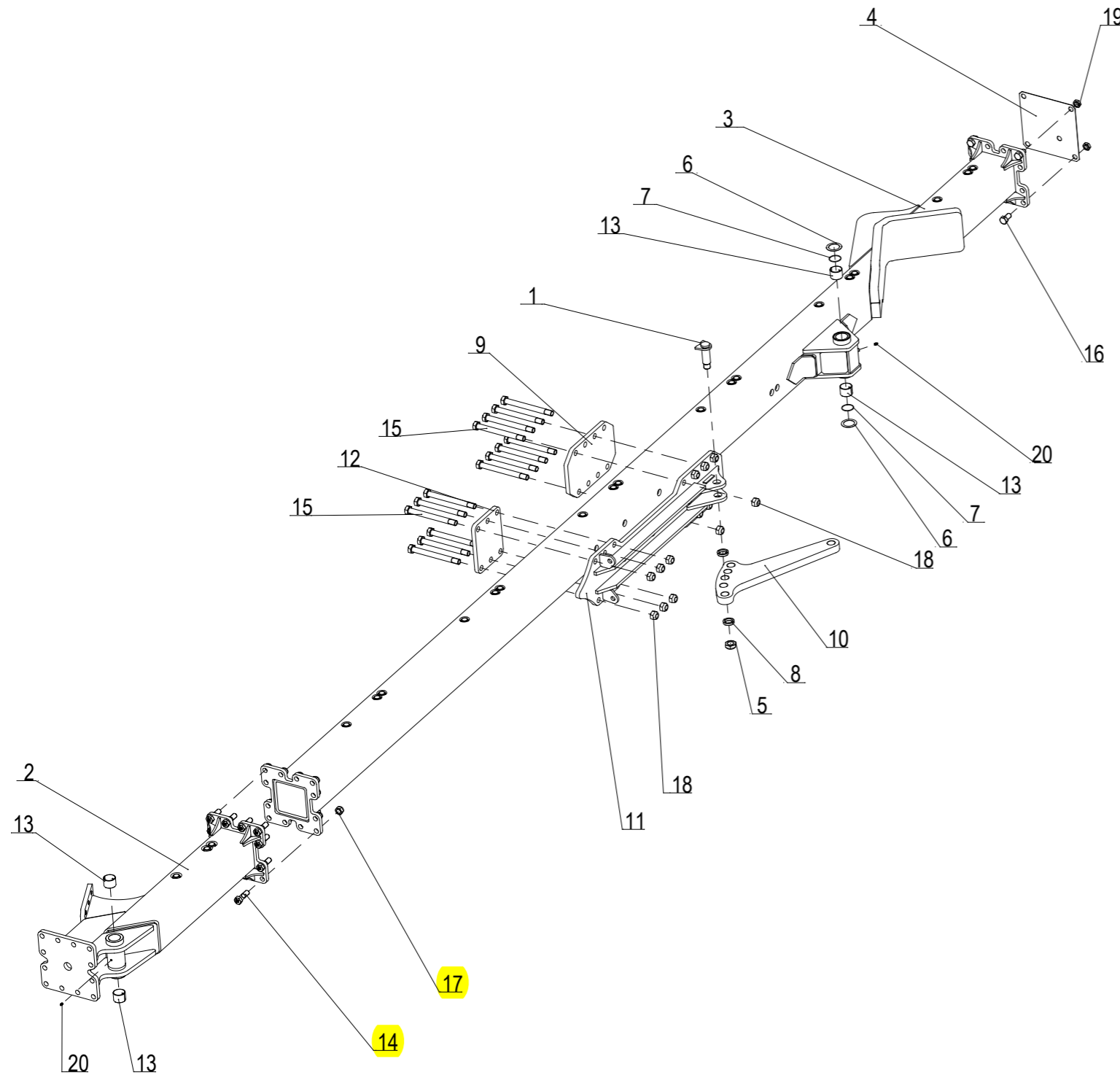
*Caisson Monoroue 6/1000 (Av + 5)*  
*Beam 6/1000, semi-mounted single wheel (Front part+ 5)*



Repere	Quantité	Reference	Designation
1	1	5GB1 113 832	Rear axle of the working width cylinder
2	1	5GB1 212 401	Welded front piece
3	1	5GB1 212 403	Welded rear beam - 5-furrow 100
4	1	5GB1 214 130	Front end plate
5	1	5GB1 233 267	Nyloc nut H M30, thread 2.00, 20 mm thick.
6	2	5GB1 233 269	Special flat washer - 50x70x1
7	2	5GB1 233 271	O-Ring Dia 50x2,5
8	2	5GB1 234 112	Spacer washer 50x35.5x10
9	1	5GB1 292 360	Support mounting plate
10	1	5GB1 292 362	Arm adjustable wheel angle
11	1	5GB1 292 364	Arm support wheel angle reinforced 100
12	1	5GB1 292 365	Plate against support wheel angle reinforced
13	6	5GB122 246	Bronze bushing - Dia50x55, lg. : 40 mm
14	12	5GBVI 34 18	Screw H M22x 70 - 10.9 ZNBL, thread /34mm, thread150
15	14	5GBVI 35 33	Screw H M24x250 - 10.9 ZNBL, thread /36 mm
16	4	5GBVI 46 01	Screw H M22x 40 - 8.8 ZNBL
17	12	5GBVJ 330	Nyloc nut std H M 22 - 8 ZNBL - thread 150
18	14	5GBVJ 331	Nyloc nut std H M 24 - 8 ZNBL
19	4	5GBVJ 407	Nut Hm M22 - 8 ZNBL
20	2	5GBVM 201	Grease nipple - M8, thread125



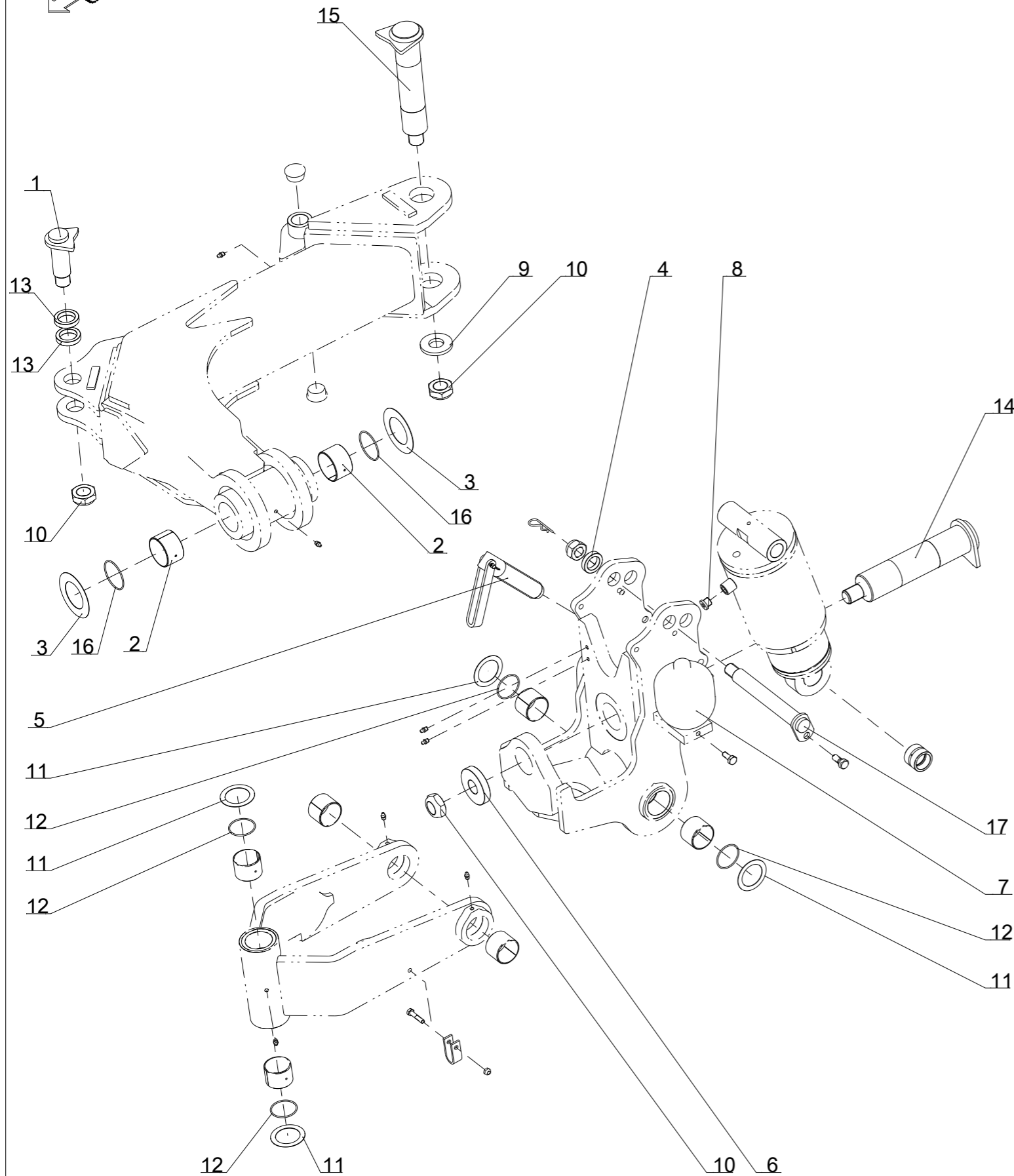
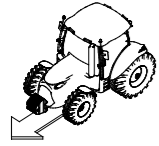
*Caisson semi-portée mono-roue hors-raie 7/1000 (Av + 6)*  
*Beam 7/1000, semi-mounted single wheel (front part+6)*



Repere	Quantité	Reference	Designation
1	1	5GB1 113 832	Rear axle of the working width cylinder
2	1	5GB1 212 401	Welded front piece
3	1	5GB1 212 404	Welded rear beam - 6-furrow 100
4	1	5GB1 214 130	Front end plate
5	1	5GB1 233 267	Nyloc nut H M30, thread 2.00, 20 mm thick.
6	2	5GB1 233 269	Special flat washer - 50x70x1
7	2	5GB1 233 271	O-Ring Dia 50x2,5
8	2	5GB1 234 112	Spacer washer 50x35.5x10
9	1	5GB1 292 360	Support mounting plate
10	1	5GB1 292 362	Arm adjustable wheel angle
11	1	5GB1 292 364	Arm support wheel angle reinforced 100
12	1	5GB1 292 365	Plate against support wheel angle reinforced
13	6	5GB122 246	Bronze bushing - Dia50x55, lg. : 40 mm
14	12	5GBVI 34 18	Screw H M22x 70 - 10.9 ZNBL, thread /34mm, thread150
15	14	5GBVI 35 33	Screw H M24x250 - 10.9 ZNBL, thread /36 mm
16	4	5GBVI 46 01	Screw H M22x 40 - 8.8 ZNBL
17	12	5GBVJ 330	Nyloc nut std H M 22 - 8 ZNBL - thread 150
18	14	5GBVJ 331	Nyloc nut std H M 24 - 8 ZNBL
19	4	5GBVJ 407	Nut Hm M22 - 8 ZNBL
20	2	5GBVM 201	Grease nipple - M8, thread125

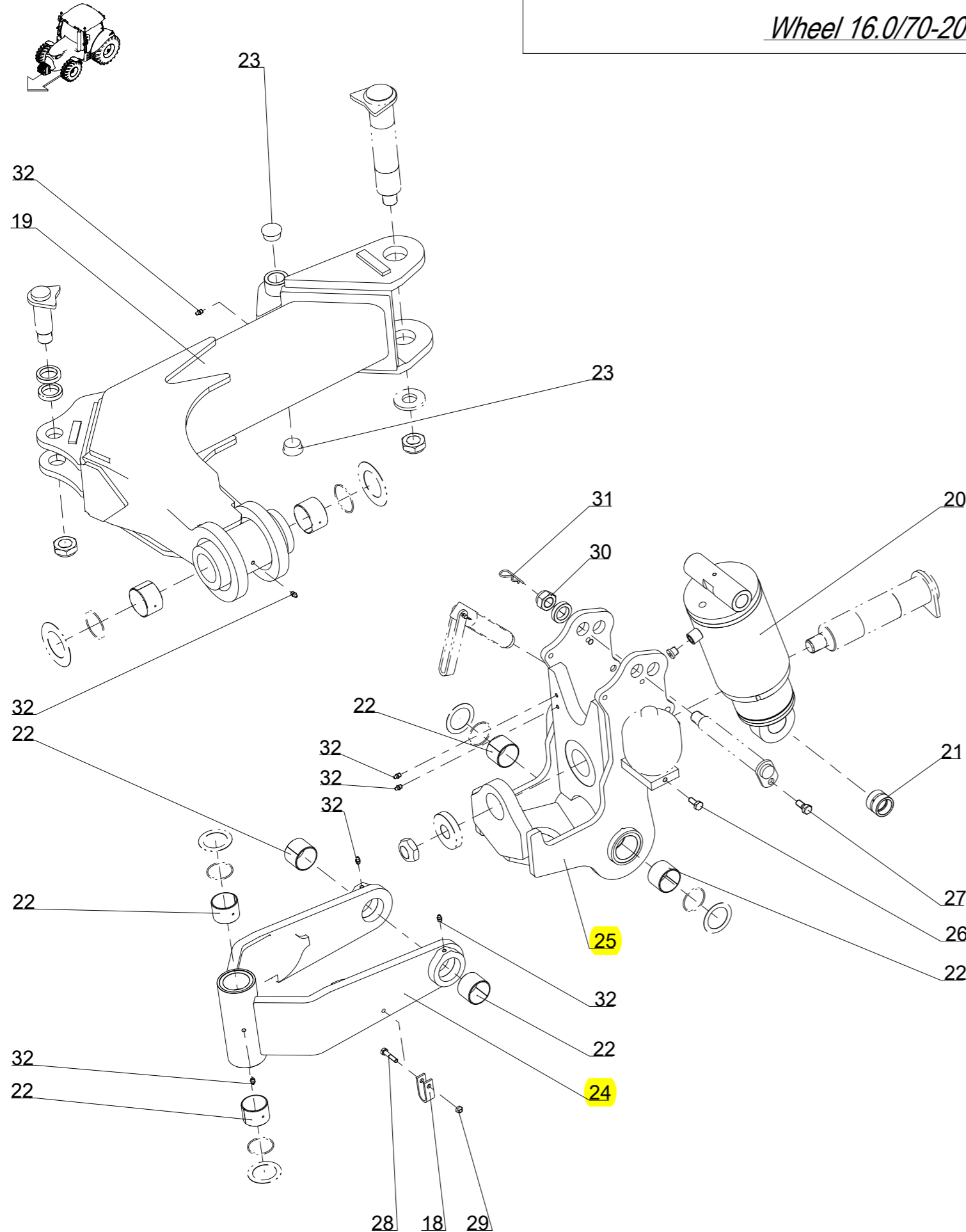
*Roue 16.0/70-20 AS504, jante jaune*

*Wheel 16.0/70-20 AS504, yellow rim*



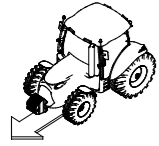
Repere	Quantité	Reference	Designation
1	1	5GB1 113 832	Rear axle of the working width cylinder
2	2	5GB1 116 224	Bronze bushing - Dia60x65, lg. : 40 mm
3	2	5GB1 116 261	Special washer - 60.2x100x1
4	1	5GB1 116 624	Ring Dia30.5x 45 Lg:10mm
5	1	5GB1 122 868	Inclination adjuster M36 Lg:190
6	1	5GB1 231 149	Cardan washer - Dia 30.5 x 80, ep. : 15 mm
7	1	5GB1 233 105	Accumulator 0.75 l. set 90 bars
8	1	5GB1 233 216	Stop end male 3/8 Co
9	1	5GB1 233 264	Special flat washer - 30.5x65x7
10	3	5GB1 233 267	Nyloc nut H M30, thread 2.00, 20 mm thick.
11	4	5GB1 233 269	Special flat washer - 50x70x1
12	4	5GB1 233 271	O-Ring Dia 50x2,5
13	2	5GB1 234 112	Spacer washer 50x35.5x10
14	1	5GB1 292 307	Axle / cradle
15	1	5GB1 292 308	Welded rear axle
16	2	5GB1 292 310	O-ring 60x2,5
17	1	5GB1 292 320	Sup. axle of ram

*Roue 16.0/70-20 AS504, jante jaune*  
*Wheel 16.0/70-20 AS504, yellow rim*



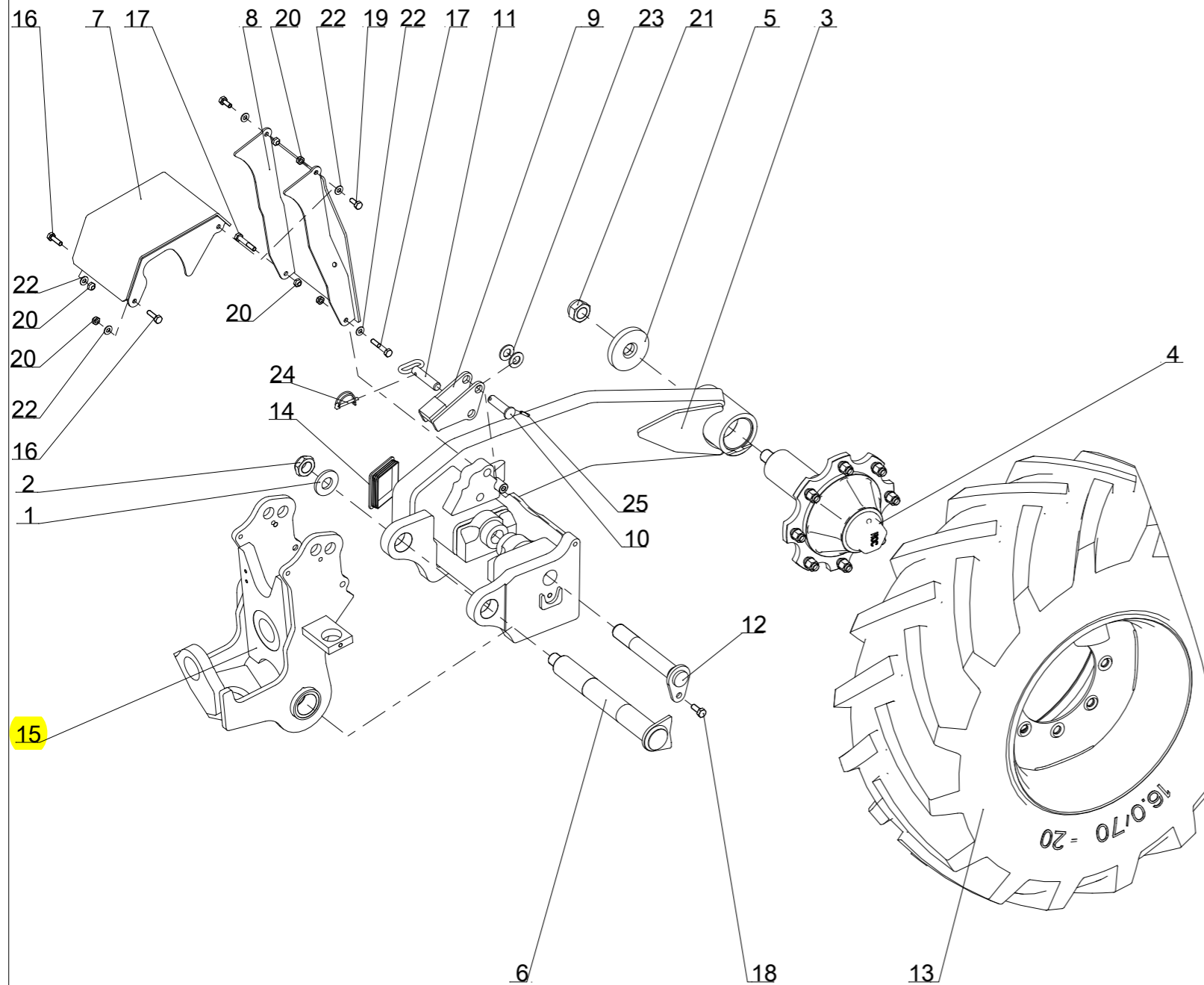
Repere	Quantité	Reference	Designation
18	1	5GB1 292 339	U for wheel hid. hose
-	1	5GB1 292 342	Hydraulic kit for wheel semi-mounted single wheel
-	1	5GB1 292 354	Grease wheel kit
19	1	5GB1 292 358	Wheel arm
20	1	5GB1 292 371	Ram SA 125 Str.125
21	1	5GB1 292 372	Steel bushing 35x45 Lg:35
22	6	5GB122 246	Bronze bushing - Dia50x55, lg. : 40 mm
23	2	5GB325 309	Plastic plug Tube D.35
24	1	5GB4806.03.10	Cradle / wheel
25	1	5GB4806.03.20	Central beam / wheel
26	1	5GBVI 21 05	Screw H M10x 25 - 8.8 ZNBL, cup point
27	1	5GBVI 24 33	Screw H conical M12x22 lg. : 36
28	1	5GBVI 27 08	Screw H M8x 40 - 8.8 ZNBL
29	1	5GBVJ 320	Nyloc nut std H M 8 - 8 ZNBL
30	1	5GBVJ 331	Nyloc nut std H M 24 - 8 ZNBL
31	1	5GBVL 001	R Clip - 3, Z
32	7	5GBVM 201	Grease nipple - M8, thread125





*Roue 16.0/70-20 AS504, jante jaune*

*Wheel 16.0/70-20 AS504, yellow rim*



Repere	Quantité	Reference	Designation
1	1	5GB1 233 264	Special flat washer - 30.5x65x7
2	1	5GB1 233 267	Nyloc nut H M30, thread 2.00, 20 mm thick.
3	1	5GB1 292 301	Wheel arm
4	1	5GB1 292 306	Complete hub 8-holes
5	1	5GB1 292 309	Tightening washer / hub
6	1	5GB1 292 312	Welded axle
7	1	5GB1 292 314	Ram protection / wheel
8	1	5GB1 292 315	Rear protection case / wheel
9	1	5GB1 292 336	Transport stop / wheel
10	1	5GB1 292 337	Axle (transport stop) / wheel
11	1	5GB1 292 338	Welded transport pin / wheel
12	1	5GB1 292 374	Lower axle / Lift ram
13	1	5GB198 734 DY	Cplt wheel - 16.0/70-20 TL AS504,8 studs, R.H. tractor, Yellow rim
14	1	5GB325 312	Plastic plug Tube 100x100
15	1	5GB4806.03.20	Central beam / wheel
16	2	5GBVI 28 05	Screw H M10x 35 - 8.8 ZNBL
17	2	5GBVI 28 12	Screw H M10x 60 - 8.8 ZNBL
18	1	5GBVI 29 04	Screw H M12x 30 - 8.8 ZNBL
19	2	5GBVI 40 03	Screw H M10x 25 - 8.8 ZNBL
20	6	5GBVJ 321	Nyloc nut std H M 10 - 8 ZNBL
21	1	5GBVJ 335	Nyloc nut std H M 30 - 8 ZNBL - thread 200
22	5	5GBVK 503	Flat washer MU10 ZNBL
23	2	5GBVK 508	Flat washer MU20 ZNBL
24	1	5GBVL 107	Pipe lynch pin - 6 Z
25	1	5GBVL 213	Thick roll pin - 6x30 mm, ZNBL