

# 3810 in-furrow / on-land Plow

P

R



JOHN DEERE

## PARTS CATALOG

3810 in-furrow / on-land Plow

PC12336 (Feb-16) English

**Revision 01/2016**

P

R

O

O

**South Africa Portfolio Extension Group**

South Africa Edition  
Printed in U.S.A. (Revised)  
COPYRIGHT © 2016  
DEERE & COMPANY  
Moline, Illinois  
All rights reserved

P R O O F P R O O F

## Introduction and Product Information

NP27017 A.1



NP27017

John Deere 3810 in-furrow / on-land Plow  
(Manufactured 2014 -)

*(Specifications and Design Subject to Change Without Notice.)*

### To The Customer

The part numbers in this Parts Catalog were correct at the time of publication. Per John Deere policy, we continuously improve our products. Therefore, when ordering parts verify the part numbers with your dealer.

### SI Units of Measure

Metric dimensions are provided as applicable throughout this parts catalog.

### Bolt And Cap Screw Strength Identification

Bolts and cap screws required to have high-strength qualities equivalent to metric property class 10.9 (SAE grade 8) or higher are identified throughout this catalog by the description 10.9, 12.9 or 14.9. All standard bolts and cap screws are metric property class 8.8 (SAE grade 5) or lower.

### Box-Enclosed Illustration

Box-enclosed keyed parts in the illustration are available as a service assembly or an attachment. These assemblies may also include parts not available for service separately. The illustrations may not show all individual parts of an attachment. A box not keyed includes non-current parts.

### Direction Arrow

Arrows are used with illustrations to indicate the front of the unit. "Right-Hand" and "Left-Hand" sides are determined by facing in direction of machine forward travel.

### Orientation Of Product

An arrow shown with an illustration is to indicate the direction of product forward travel. Right Hand (RH) and Left Hand (LH) sides are determined by product forward travel.

### Ag and Turf Crop Solution — Trademarks

|                  |                       |                            |
|------------------|-----------------------|----------------------------|
| AccuDepth™       | Quick Fill™           | STS™                       |
| AutoTrac™        | Refuge Ready™         | TouchSet™                  |
| BoomTrac™        | Row-Trak™             | Nothing Runs Like a Deere™ |
| CCS™             | RowCommand™           | Tru-Depth™                 |
| FieldVision™     | SeedStar™             | TruPosition™               |
| Flex-Fold™       | CommandARM™           | TwinFluid GreenStar™       |
| CommandCenter™   | VacuMeter™            | Hi-Cycle™                  |
| John Deere™      | VRS™ (VariRow System) | HillMaster™                |
| Level-lift™      | Funk™                 | PRO-12™                    |
| Load Command™    | iTorque™              | PRO-16™                    |
| MaxEmerge™       | Phoenix™              | ProDrive™                  |
| Maximizer™       | PowerTech™            | PRO-SERIES™                |
| Service ADVISOR™ | TMII™                 | Pro-Series XP™             |
| SprayMaster™     | TMIII™                | Pro-Shaft™                 |
| StarFire™        |                       |                            |

P  
R  
O  
F  
O  
F

### Ag and Turf Crop Solution — Terms and Abbreviations

| Phrase     | Meaning  | Phrase   | Meaning                           |
|------------|--|----------|-----------------------------------|
| A/C        | Air Conditioning   | NLA      | No Longer Available               |
| ALSO ORDER | Also Order   | NSEP     | Not Supplied Separately           |
| APPL       | This Application Only                                    | OD       | Outside Diameter                  |
| AR         | As Required  | OPTION   | Option                            |
| ASSY       | Complete Assembly  | OPTIONAL | Optional                          |
| BCU        | Basic Control Unit                                       | OR       | Or                                |
| CNLA       | Complete No Longer Available<br>(Order Individual Parts) | ORD      | Order                             |
| ECU        | Engine Control Unit                                      | ORD W/   | Order With                        |
| ETC        | Electronic Temperature<br>Control                        | OS       | Oversize                          |
| FI         | Field Installation Kit                                   | PKG      | Package of                        |
| FIP        | Fuel Injection Pump                                      | RATIO    | Ratio                             |
| FOR        | For  | RCU      | Reverser Control Unit             |
| FRONT      | Front  | REAR     | Rear                              |
| GSD        | GreenStar™ Display                                       | REMAN    | Remanufactured                    |
| HTC        | Heater Control Unit                                      | RH       | Right Hand                        |
| ID         | Inside Diameter  | STD      | Standard                          |
| INCL       | Includes   | SUB      | Replaced by                       |
| INCL KEYS  | Including Keys   | SUB FOR  | Substitute for                    |
| JDL        | JDLink™ Control Unit                                     | TK       | Thickness                         |
| KIT        | Kit  | UIC      | User Interface Control Unit       |
| LGTH       | Length   | UIM      | User Interface Module             |
| LH         | Left Hand  | UP       | Upper                             |
| LOW        | Lower  | USE WITH | Use With                          |
| MARKED     | Marked   | W/       | With                              |
| MF         | Make From  | W/O      | Without                           |
| NA         | Not Applicable   | Z        | Gear and Sprocket Teeth<br>Number |
| L          | Number of Links to Chain                                 |          |                                   |

## Введение и информация об изделии

NP27017 A.1



NP27017

Плуг для работы в борозде / вне борозды 3810 компании John Deere  
(Год выпуска 2014–)

*(Спецификации и конструкция могут изменяться без уведомления.)*

### Уведомление для заказчика

Номера деталей в этом каталоге запасных частей верны на момент его публикации. Политика компании John Deere заключается в непрерывном совершенствовании выпускаемых продуктов. Поэтому при заказе запасных частей проверяйте их номера по каталогу у своего дилера.

### Единицы измерения по системе СИ

В этом каталоге запасных частей размеры даны в метрических единицах измерения по мере применимости.

### Определение прочности болтов и винтов с головками

Для болтов и винтов с головками, имеющих высокий класс прочности, эквивалентный категории изделия 10.9 в метрических единицах (SAE 8) или выше, в этом каталоге приняты обозначения 10.9, 12.9 или 14.9. Все стандартные болты и винты с головками относятся к категории изделия 8.8 в метрических единицах (SAE 5) или ниже.

### Иллюстрация, заключенная в рамку

Детали, снабженные кодом и заключенные в рамку на иллюстрации, доступны в качестве обслуживаемого узла либо навесного оборудования. В состав этих деталей могут также входить необслуживаемые детали. Полнота перечня отдельных комплектующих деталей навесного оборудования, представленного на иллюстрациях, не гарантируется. В рамке без кода указаны устаревшие детали.

### Стрелка направления

На иллюстрациях стрелками обозначена передняя часть блока. Левую и правую стороны определяют по направлению переднего хода машины.

### Ориентация машины

Стрелка на иллюстрации служит для обозначения направления переднего хода машины. Левую и правую стороны определяют по направлению переднего хода машины.

## Решения для уборки урожая подразделения Ag and Turf — товарные знаки

|                  |                        |                            |
|------------------|------------------------|----------------------------|
| AccuDepth™       | Quick Fill™            | STS™                       |
| AutoTrac™        | Refuge Ready™          | TouchSet™                  |
| BoomTrac™        | Row-Trak™              | Nothing Runs Like a Deere™ |
| CCS™             | RowCommand™            | Tru-Depth™                 |
| FieldVision™     | SeedStar™              | TruPosition™               |
| Flex-Fold™       | CommandARM™            | TwinFluid GreenStar™       |
| CommandCenter™   | VacuMeter™             | Hi-Cycle™                  |
| John Deere™      | VRS™ (система VariRow) | HillMaster™                |
| Level-lift™      | Funk™                  | PRO-12™                    |
| Load Command™    | iTorque™               | PRO-16™                    |
| MaxEmerge™       | Phoenix™               | ProDrive™                  |
| Maximizer™       | PowerTech™             | PRO-SERIES™                |
| Service ADVISOR™ | TMII™                  | Pro-Series XP™             |
| SprayMaster™     | TMIII™                 | Pro-Shaft™                 |
| StarFire™        |                        |                            |

## Решения для уборки урожая подразделения Ag and Turf — термины и сокращения

| Фраза      | Значение   | Фраза    | Значение                                 |
|------------|--|----------|--|
| A/C        | Система кондиционирования воздуха                      | NLA      | Выпуск прекращен                         |
| ALSO ORDER | Также закажите   | NSEP     | Недоступно по отдельности                |
| APPL       | Только для этой машины                                 | OD       | Наружный диаметр                         |
| AR         | По мере необходимости                                  | OPTION   | Опция                                    |
| ASSY       | Узел в сборе   | OPTIONAL | Дополнительное оборудование              |
| BCU        | Основной блок управления                               | OR       | Или                                      |
| CNLA       | Выпуск в сборе прекращен (заказывать отдельные детали) | ORD      | Заказ                                    |
| ECU        | Блок управления двигателем                             | ORD W/   | Заказ с                                  |
| ETC        | Электронный регулятор температуры                      | OS       | Увеличенный размер                       |
| FI         | Комплект для установки в полевых условиях              | PKG      | Упаковка                                 |
| FIP        | Топливный насос высокого давления                      | RATIO    | Соотношение                              |
| FOR        | Для  | RCU      | Блок управления реверсом                 |
| FRONT      | Передний   | REAR     | Задний                                   |
| GSD        | Дисплей GreenStar™                                     | REMAN    | Восстановленный                          |
| HTC        | Блок управления нагревателем                           | RH       | Правый                                   |
| ID         | Внутренний диаметр                                     | STD      | Стандартный                              |
| INCL       | Содержит   | SUB      | Заменен на                               |
| INCL KEYS  | Включая ключи  | SUB FOR  | Замена для                               |
| JDL        | Блок управления JDLink™                                | TK       | Толщина                                  |
| KIT        | Комплект   | UIC      | Блок управления интерфейсом пользователя |
| LGTH       | Длина  | UIM      | Блок пользовательского интерфейса        |
| LH         | Левый  | UP       | Верхний                                  |
| LOW        | Нижний   | USE WITH | Использовать с                           |
| MARKED     | Маркированный  | W/       | С  |
| MF         | Сделайте из  | W/O      | Без                                      |
| NA         | Не применимо   | Z        | Номер шестерни и зубьев звездочки        |
| L          | Количество звеньев цепи                                |          |  |



## Alphabetical Index

| Page  | Page   |
|---|--------|
| <b>A</b>  |        |
| Accumulator, Accumulator Kit, Hydraulic Suspension on Wheel.....                                      | 52     |
| Accumulator, Accumulator Kit, Wheel 16.0 / 70 - 20 AS504, Yellow Rim<br>(1/3).....                    | 108    |
| Arm, Beam 5 / 1000 (Front Part + 4).....  | 96     |
| Arm, Beam 6 / 1000 (Front Part + 5).....  | 100    |
| Arm, Beam 7 / 1000 (Front Part + 6).....  | 104    |
| Arm, Kilt Coulter DOK D510 (Pair).....  | 74     |
| Arm, Wheel 16.0 / 70 - 20 AS504, Yellow Rim (3/3).....  | 112    |
| Axle, Beam 5 / 1000 (Front Part + 4).....   | 96     |
| Axle, Beam 6 / 1000 (Front Part + 5).....   | 100    |
| Axle, Beam 7 / 1000 (Front Part + 6).....   | 104    |
| Axle, Disc Coulter Fix W / Notched Disk Diameter 500.....   | 76     |
| Axle, Independent Hydraulic Front Furrow Adjustment, on-land<br>Plow.....                             | 88     |
| Axle, Kilt Coulter DOK D510 (Pair).....   | 74     |
| Axle, Stabilization Bar 1000 (1+4) 2583 mm.....   | 94     |
| Axle, Stabilization Bar 1000 (1+5) 3557 mm.....   | 98     |
| Axle, Stabilization Bar 1000 (1+6) 4557 mm.....   | 102    |
| Axle, Wheel 16.0 / 70 - 20 AS504, Yellow Rim (1/3).....   | 108    |
| Axle, Wheel 16.0 / 70 - 20 AS504, Yellow Rim (2/3).....   | 110    |
| Axle, Wheel 16.0 / 70 - 20 AS504, Yellow Rim (3/3).....   | 112    |
| Axle, Wheel 16.0 / 70 - 20 TL AS 504 8 Studs, Yellow Rim (1/5).....                                   | 44     |
| Axle, Wheel 16.0 / 70 - 20 TL AS 504 8 Studs, Yellow Rim (2/5).....                                   | 46     |
| <b>B</b>  |        |
| Bar, Stabilization Bar 1000 (1+4) 2583 mm.....  | 94     |
| Bar, Stabilization Bar 1000 (1+5) 3557 mm.....  | 98     |
| Bar, Stabilization Bar 1000 (1+6) 4557 mm.....  | 102    |
| Beam 5 / 1000 (Front Part + 4).....   | 96     |
| Beam 5 - Furrow (1000) (Front + 4).....   | 28     |
| Beam 6 / 1000 (Front Part + 5).....   | 100    |
| Beam 6 - Furrow (1000) (Front + 5).....   | 32     |
| Beam 7 / 1000 (Front Part + 6).....   | 104    |
| Beam 7 - Furrow (1000) (Front + 6).....   | 36     |
| Body.....   | 66, 68 |
| <b>C</b>  |        |
| Case, Wheel 16.0 / 70 - 20 AS504, Yellow Rim (3/3).....   | 112    |
| Coupling, Hitch Assembly.....   | 12     |
| Coupling, Hydraulic Cylinder Kit and Hoses.....   | 114    |
| Cover, Kilt Coulter DOK D510 (Pair).....  | 74     |
| Cover, Wheel 16.0 / 70 - 20 AS504, Yellow Rim (3/3).....  | 112    |
| Cover, Wheel 16.0 / 70 - 20 TL AS 504 8 Studs, Yellow Rim (2/5).....                                  | 46     |
| Cutter, Colter Knife, Disc Coulter Fix W / Notched Disk Diameter<br>500.....                          | 76     |
| Cylinder, Hydraulic Cylinder Kit, Hydraulic Cylinder Kit and Hoses.....                               | 114    |
| Cylinder, Hydraulic Cylinder Kit, Hydraulic Independent Front<br>Furrow.....                          | 25     |
| Cylinder, Hydraulic Cylinder Kit, Independent Hydraulic Front Furrow<br>Adjustment, on-land Plow..... | 88     |
| Cylinder, Hydraulic Cylinder Kit, Turnover Standard, in-furrow Plow<br>(1/4).....                     | 14     |
| Cylinder, Hydraulic Cylinder Kit, Turnover W / O Selector, on-land Plow<br>(1/4).....                 | 80     |
| Cylinder, Hydraulic Cylinder Kit, Turnover W / O Selector, on-land Plow<br>(3/4).....                 | 84     |
| Cylinder, Independent Hydraulic Front Furrow Adjustment, on-land<br>Plow.....                         | 88     |
| Cylinder, Wheel 16.0 / 70 - 20 AS504, Yellow Rim (2/3).....   | 110    |
| <b>D</b>  |        |
| Decal, Label, Beam 5 / 1000 (Front Part + 4).....   | 96     |
| Decal, Label, Beam 5 - Furrow (1000) (Front + 4).....   | 28     |
| Decal, Label, Beam 6 / 1000 (Front Part + 5).....   | 100    |
| Decal, Label, Beam 6 - Furrow (1000) (Front + 5).....   | 32     |
| Decal, Label, Beam 7 / 1000 (Front Part + 6).....   | 104    |
| Decal, Label, Beam 7 - Furrow (1000) (Front + 6).....   | 36     |
| Decal, Label, Safety / Informations Stickers.....   | 118    |
| Disc Coulter Fix W / Notched Disk Diameter 500.....   | 76     |
| Disc, Disk Colter, Kilt Coulter DOK D510 (Pair).....  | 74     |
| Disc, Disk Colter, Wing Coulter.....  | 70     |
| Disk, Disk Colter, Kilt Coulter DOK D510 (Pair).....  | 74     |
| Disk, Disk Colter, Wing Coulter.....  | 70     |
| <b>E</b>  |        |
| Extension Mouldboard BP351W.....  | 71     |
| Extension, Extension Mouldboard BP351W.....   | 71     |
| Extension, Front / Rear Extension 1000, on-land Plow.....   | 106    |
| Extension, Wheel 16.0 / 70 - 20 TL AS 504 8 Studs, Yellow Rim<br>(2/5).....                           | 46     |
| <b>F</b>  |        |
| Fender, Body.....   | 66, 68 |
| Frame, Turnover Standard, in-furrow Plow (1/4).....   | 14     |
| Frame, Turnover W / O Selector, on-land Plow (2/4).....   | 82     |
| Front / Rear Extension 100 5 - Angles, in-furrow Plow.....  | 38     |
| Front / Rear Extension 1000, on-land Plow.....  | 106    |
| <b>H</b>  |        |
| Handle, Mechanical Wheel Alignment.....   | 42     |
| Handle, Turnover Standard, in-furrow Plow (1/4).....  | 14     |
| Handle, Turnover W / O Selector, on-land Plow (1/4).....  | 80     |
| Hitch Assembly.....   | 12     |
| Hitch, Hitch Assembly.....  | 12     |
| Hose, Hitch Assembly.....   | 12     |
| Hose, Hydraulic Hoses and Fittings.....   | 115    |
| Hose, Hydraulic Independent Front Furrow.....   | 25     |
| Hose, Hydraulic Kit Front Furrow.....   | 90     |
| Hose, Hydraulic Kit, Turnover and Wheel.....  | 22     |
| Hose, Hydraulic Suspension on Wheel.....  | 52     |
| Hose, Stabilization Bar 1000 (1+4) 2583 mm.....   | 94     |
| Hose, Stabilization Bar 1000 (1+5) 3557 mm.....   | 98     |
| Hose, Stabilization Bar 1000 (1+6) 4557 mm.....   | 102    |
| Hose, Stabilizer Bar 2446 mm (2), Beam 5 - Furrow (1000).....   | 26     |
| Hose, Stabilizer Bar 3446 mm (2), Beam 6 - Furrow (1000).....   | 30     |
| Hose, Stabilizer Bar 4446 mm (2), Beam 7 - Furrow (1000).....   | 34     |
| Hose, Stabilizer Bar 5446 mm (3), Beam 8 - Furrow (1000).....   | 40     |
| Hose, Turnover Standard, in-furrow Plow (1/4).....  | 14     |
| Hose, Turnover W / O Selector, on-land Plow (1/4).....  | 80     |
| Hose, Wheel 16.0 / 70 - 20 AS504, Yellow Rim (2/3).....   | 110    |
| Housing, Wheel 16.0 / 70 - 20 TL AS 504 8 Studs, Yellow Rim (2/5).....                                | 46     |
| Hub, Wheel 16.0 / 70 - 20 AS504, Yellow Rim (3/3).....  | 112    |
| Hub, Wheel 16.0 / 70 - 20 TL AS 504 8 Studs, Yellow Rim (5/5).....                                    | 51     |
| Hydraulic Cylinder Kit and Hoses.....   | 114    |
| Hydraulic Hoses and Fittings.....   | 115    |
| Hydraulic Independent Front Furrow.....   | 25     |
| Hydraulic Kit Front Furrow.....   | 90     |
| Hydraulic Kit, Turnover and Wheel.....  | 22     |
| Hydraulic Suspension on Wheel.....  | 52     |
| <b>I</b>  |        |
| Independent Hydraulic Front Furrow Adjustment, on-land Plow.....                                      | 88     |
| <b>K</b>  |        |
| Kilt Coulter DOK D510 (Pair).....   | 74     |
| Kit for Ploughs Less than or Equal to 9 Bodies, on-land Plow.....                                     | 116    |
| Knife, Colter Knife, Disc Coulter Fix W / Notched Disk Diameter 500.....                              | 76     |
| <b>L</b>  |        |
| Label, Beam 5 / 1000 (Front Part + 4).....  | 96     |
| Label, Beam 5 - Furrow (1000) (Front + 4).....  | 28     |
| Label, Beam 6 / 1000 (Front Part + 5).....  | 100    |
| Label, Beam 6 - Furrow (1000) (Front + 5).....  | 32     |
| Label, Beam 7 / 1000 (Front Part + 6).....  | 104    |
| Label, Beam 7 - Furrow (1000) (Front + 6).....  | 36     |
| Label, Safety / Informations Stickers.....  | 118    |
| Latch, Turnover Standard, in-furrow Plow (1/4).....   | 14     |
| Latch, Turnover W / O Selector, on-land Plow (1/4).....   | 80     |
| <b>M</b>  |        |
| Mechanical Front in-furrow Plow.....  | 24     |
| Mechanical Wheel Alignment.....   | 42     |

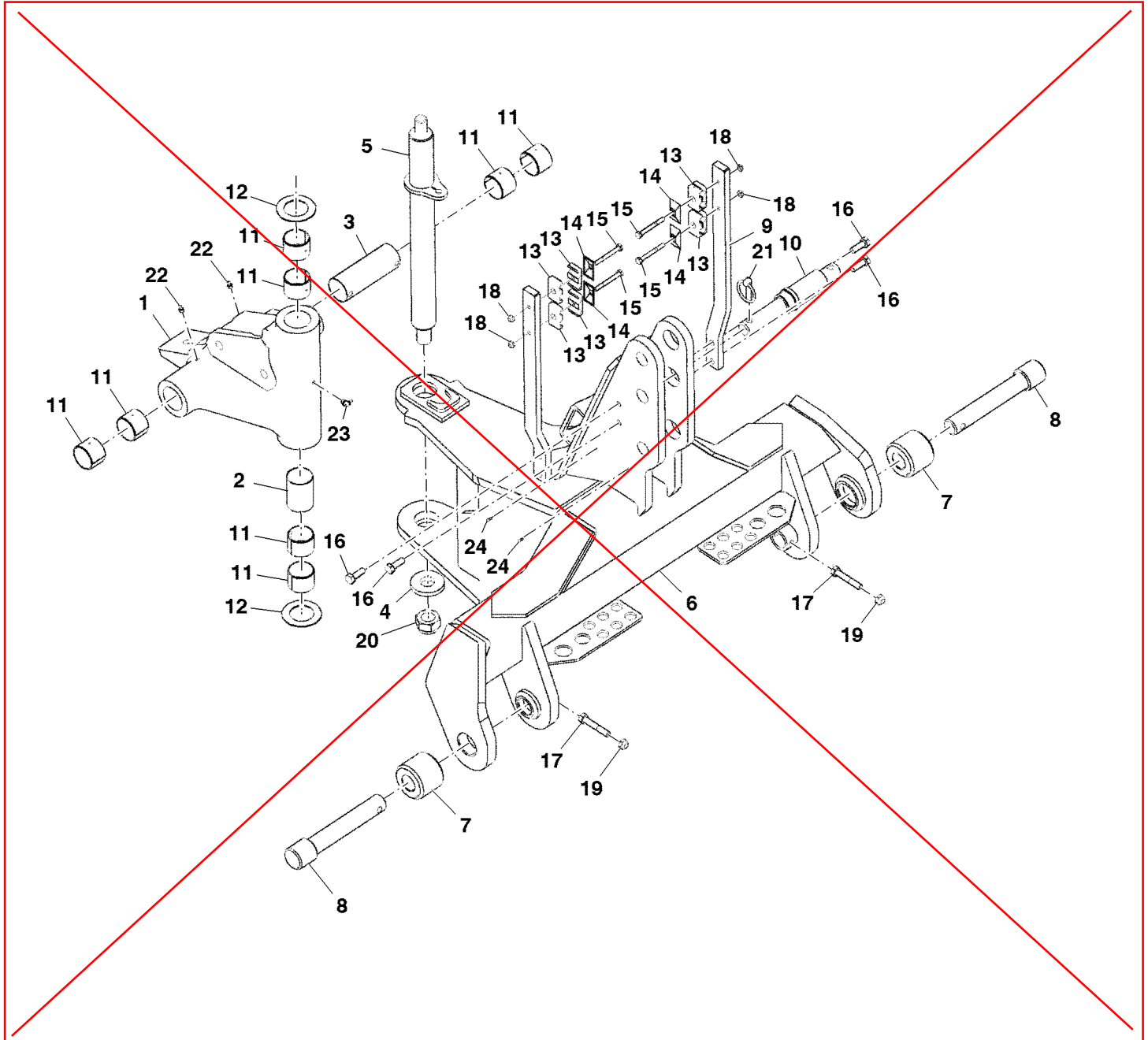
## Alphabetical Index - Continued

|  | Page   |   | Page |
|--|--------|---|------|
| O  |        | T   |      |
| Option Share + Point .....   | 64     | Toolbox, Stabilization Bar 1000 (1+4) 2583 mm .....                                   | 94   |
| P  |        | Toolbox, Stabilization Bar 1000 (1+5) 3557 mm .....                                   | 98   |
| Pinion, Turnover Standard, in-furrow Plow (3/4) .....                      | 18     | Toolbox, Stabilization Bar 1000 (1+6) 4557 mm .....                                   | 102  |
| Pinion, Turnover Standard, in-furrow Plow (4/4) .....                      | 20     | Toolbox, Stabilizer Bar 2446 mm (2), Beam 5 - Furrow (1000) .....                     | 26   |
| Pinion, Turnover W / O Selector, on-land Plow (3/4) .....                  | 84     | Toolbox, Stabilizer Bar 3446 mm (2), Beam 6 - Furrow (1000) .....                     | 30   |
| Piston, Ram and Piston Turnover .....                                      | 23     | Toolbox, Stabilizer Bar 4446 mm (2), Beam 7 - Furrow (1000) .....                     | 34   |
| Piston, Turnover Standard, in-furrow Plow (3/4) .....                      | 18     | Toolbox, Stabilizer Bar 5446 mm (3), Beam 8 - Furrow (1000) .....                     | 40   |
| Piston, Turnover W / O Selector, on-land Plow (3/4) .....                  | 84     | Tube, Stabilizer Bar 5446 mm (3), Beam 8 - Furrow (1000) .....                        | 40   |
| Pivot, Wheel 16.0 / 70 - 20 TL AS 504 8 Studs, Yellow Rim (1/5) .....      | 44     | Turnover Standard, in-furrow Plow (1/4) .....   | 14   |
| Pivot, Wheel Assembly, Yellow Rim .....                                    | 92     | Turnover Standard, in-furrow Plow (2/4) .....   | 16   |
| Plain Body (1/2) .....   | 56     | Turnover Standard, in-furrow Plow (3/4) .....   | 18   |
| Plain Body (2/2) .....   | 58     | Turnover Standard, in-furrow Plow (4/4) .....   | 20   |
| Plate, Beam 5 / 1000 (Front Part + 4) .....                                | 96     | Turnover W / O Selector, on-land Plow (1/4) .....                                     | 80   |
| Plate, Beam 5 - Furrow (1000) (Front + 4) .....                            | 28     | Turnover W / O Selector, on-land Plow (2/4) .....                                     | 82   |
| Plate, Beam 6 / 1000 (Front Part + 5) .....                                | 100    | Turnover W / O Selector, on-land Plow (3/4) .....                                     | 84   |
| Plate, Beam 6 - Furrow (1000) (Front + 5) .....                            | 32     | Turnover W / O Selector, on-land Plow (4/4) .....                                     | 86   |
| Plate, Beam 7 / 1000 (Front Part + 6) .....                                | 104    | U   |      |
| Plate, Beam 7 - Furrow (1000) (Front + 6) .....                            | 36     | Universal joint, Yoke, Wheel 16.0 / 70 - 20 TL AS 504 8 Studs, Yellow Rim (2/5) ..... | 46   |
| Plate, Body .....  | 66, 68 | V   |      |
| Plate, Hitch Assembly .....  | 12     | Valve, Ram and Piston Turnover .....  | 23   |
| Plate, Stabilization Bar 1000 (1+4) 2583 mm .....                          | 94     | Valve, Turnover Standard, in-furrow Plow (1/4) .....                                  | 14   |
| Plate, Stabilization Bar 1000 (1+5) 3557 mm .....                          | 98     | Valve, Turnover W / O Selector, on-land Plow (1/4) .....                              | 80   |
| Plate, Stabilization Bar 1000 (1+6) 4557 mm .....                          | 102    | Vari - Fix Skimmers Model 212B .....  | 72   |
| Plate, Vari - Fix Skimmers Model 212B .....                                | 72     | W   |      |
| Plate, Wheel 16.0 / 70 - 20 TL AS 504 8 Studs, Yellow Rim (1/5) .....      | 44     | Wheel 16.0 / 70 - 20 AS504, Yellow Rim (1/3) .....                                    | 108  |
| R  |        | Wheel 16.0 / 70 - 20 AS504, Yellow Rim (2/3) .....                                    | 110  |
| Ram and Piston Turnover .....  | 23     | Wheel 16.0 / 70 - 20 AS504, Yellow Rim (3/3) .....                                    | 112  |
| Rear Lighting Kit, in-furrow Plow .....                                    | 78     | Wheel 16.0 / 70 - 20 TL AS 504 8 Studs, Yellow Rim (1/5) .....                        | 44   |
| Rim, Wheel, Beam 5 / 1000 (Front Part + 4) .....                           | 96     | Wheel 16.0 / 70 - 20 TL AS 504 8 Studs, Yellow Rim (2/5) .....                        | 46   |
| Rim, Wheel, Beam 6 / 1000 (Front Part + 5) .....                           | 100    | Wheel 16.0 / 70 - 20 TL AS 504 8 Studs, Yellow Rim (3/5) .....                        | 48   |
| Rim, Wheel, Beam 7 / 1000 (Front Part + 6) .....                           | 104    | Wheel 16.0 / 70 - 20 TL AS 504 8 Studs, Yellow Rim (4/5) .....                        | 50   |
| Rim, Wheel, Turnover Standard, in-furrow Plow (3/4) .....                  | 18     | Wheel 16.0 / 70 - 20 TL AS 504 8 Studs, Yellow Rim (5/5) .....                        | 51   |
| Rim, Wheel, Turnover W / O Selector, on-land Plow (3/4) .....              | 84     | Wheel Assembly, Yellow Rim .....  | 92   |
| Rim, Wheel, Wheel 16.0 / 70 - 20 AS504, Yellow Rim (2/3) .....             | 110    | Wheel, Beam 5 / 1000 (Front Part + 4) .....   | 96   |
| Rim, Wheel, Wheel 16.0 / 70 - 20 AS504, Yellow Rim (3/3) .....             | 112    | Wheel, Beam 6 / 1000 (Front Part + 5) .....   | 100  |
| Rim, Wheel, Wheel 16.0 / 70 - 20 TL AS 504 8 Studs, Yellow Rim (1/5) ..... | 44     | Wheel, Beam 7 / 1000 (Front Part + 6) .....   | 104  |
| Rim, Wheel, Wheel 16.0 / 70 - 20 TL AS 504 8 Studs, Yellow Rim (2/5) ..... | 46     | Wheel, Turnover Standard, in-furrow Plow (3/4) .....                                  | 18   |
| Rim, Wheel, Wheel 16.0 / 70 - 20 TL AS 504 8 Studs, Yellow Rim (4/5) ..... | 50     | Wheel, Turnover W / O Selector, on-land Plow (3/4) .....                              | 84   |
| Rim, Wheel, Wheel 16.0 / 70 - 20 TL AS 504 8 Studs, Yellow Rim (5/5) ..... | 51     | Wheel, Wheel 16.0 / 70 - 20 AS504, Yellow Rim (2/3) .....                             | 110  |
| Rim, Wheel, Wheel Assembly, Yellow Rim .....                               | 92     | Wheel, Wheel 16.0 / 70 - 20 AS504, Yellow Rim (3/3) .....                             | 112  |
| Rod, Wheel 16.0 / 70 - 20 TL AS 504 8 Studs, Yellow Rim (1/5) .....        | 44     | Wheel, Wheel 16.0 / 70 - 20 TL AS 504 8 Studs, Yellow Rim (1/5) .....                 | 44   |
| Roll, Independent Hydraulic Front Furrow Adjustment, on-land Plow .....    | 88     | Wheel, Wheel 16.0 / 70 - 20 TL AS 504 8 Studs, Yellow Rim (2/5) .....                 | 46   |
| Roller, Tapered Roller Bearing, Kilt Coulter DOK D510 (Pair) .....         | 74     | Wheel, Wheel 16.0 / 70 - 20 TL AS 504 8 Studs, Yellow Rim (4/5) .....                 | 50   |
| S  |        | Wheel, Wheel 16.0 / 70 - 20 TL AS 504 8 Studs, Yellow Rim (5/5) .....                 | 51   |
| Safety / Informations Stickers .....                                       | 118    | Wheel, Wheel Assembly, Yellow Rim .....   | 92   |
| Shaft, Turnover Standard, in-furrow Plow (3/4) .....                       | 18     | Wing Coulter .....  | 70   |
| Shaft, Turnover W / O Selector, on-land Plow (3/4) .....                   | 84     | Y   |      |
| Shaft, Vari - Fix Skimmers Model 212B .....                                | 72     | Yoke, Wheel 16.0 / 70 - 20 TL AS 504 8 Studs, Yellow Rim (2/5) .....                  | 46   |
| Shearbolt Protection .....   | 54     |   |      |
| Slatted Body (1/2) .....   | 60     |   |      |
| Slatted Body (2/2) .....   | 62     |   |      |
| Sleeve, Kit for Ploughs Less than or Equal to 9 Bodies, on-land Plow ..... | 116    |   |      |
| Stabilization Bar 1000 (1+4) 2583 mm .....                                 | 94     |   |      |
| Stabilization Bar 1000 (1+5) 3557 mm .....                                 | 98     |   |      |
| Stabilization Bar 1000 (1+6) 4557 mm .....                                 | 102    |   |      |
| Stabilizer Bar 2446 mm (2), Beam 5 - Furrow (1000) .....                   | 26     |   |      |
| Stabilizer Bar 3446 mm (2), Beam 6 - Furrow (1000) .....                   | 30     |   |      |
| Stabilizer Bar 4446 mm (2), Beam 7 - Furrow (1000) .....                   | 34     |   |      |
| Stabilizer Bar 5446 mm (3), Beam 8 - Furrow (1000) .....                   | 40     |   |      |
| Stabilizer, Stabilizer Bar 2446 mm (2), Beam 5 - Furrow (1000) .....       | 26     |   |      |
| Stabilizer, Stabilizer Bar 3446 mm (2), Beam 6 - Furrow (1000) .....       | 30     |   |      |
| Stabilizer, Stabilizer Bar 4446 mm (2), Beam 7 - Furrow (1000) .....       | 34     |   |      |
| Stabilizer, Stabilizer Bar 5446 mm (3), Beam 8 - Furrow (1000) .....       | 40     |   |      |
| Stop, Hydraulic Hoses and Fittings .....                                   | 115    |   |      |
| Stop, Wheel 16.0 / 70 - 20 AS504, Yellow Rim (1/3) .....                   | 108    |   |      |
| Stop, Wheel 16.0 / 70 - 20 AS504, Yellow Rim (3/3) .....                   | 112    |   |      |
| Stop, Wheel 16.0 / 70 - 20 TL AS 504 8 Studs, Yellow Rim (1/5) .....       | 44     |   |      |

P  
R  
O  
O  
F  
P  
R  
O  
O  
F

Hitch Assembly  
Узел сцепки

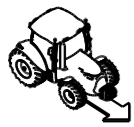
PY57551 A.1



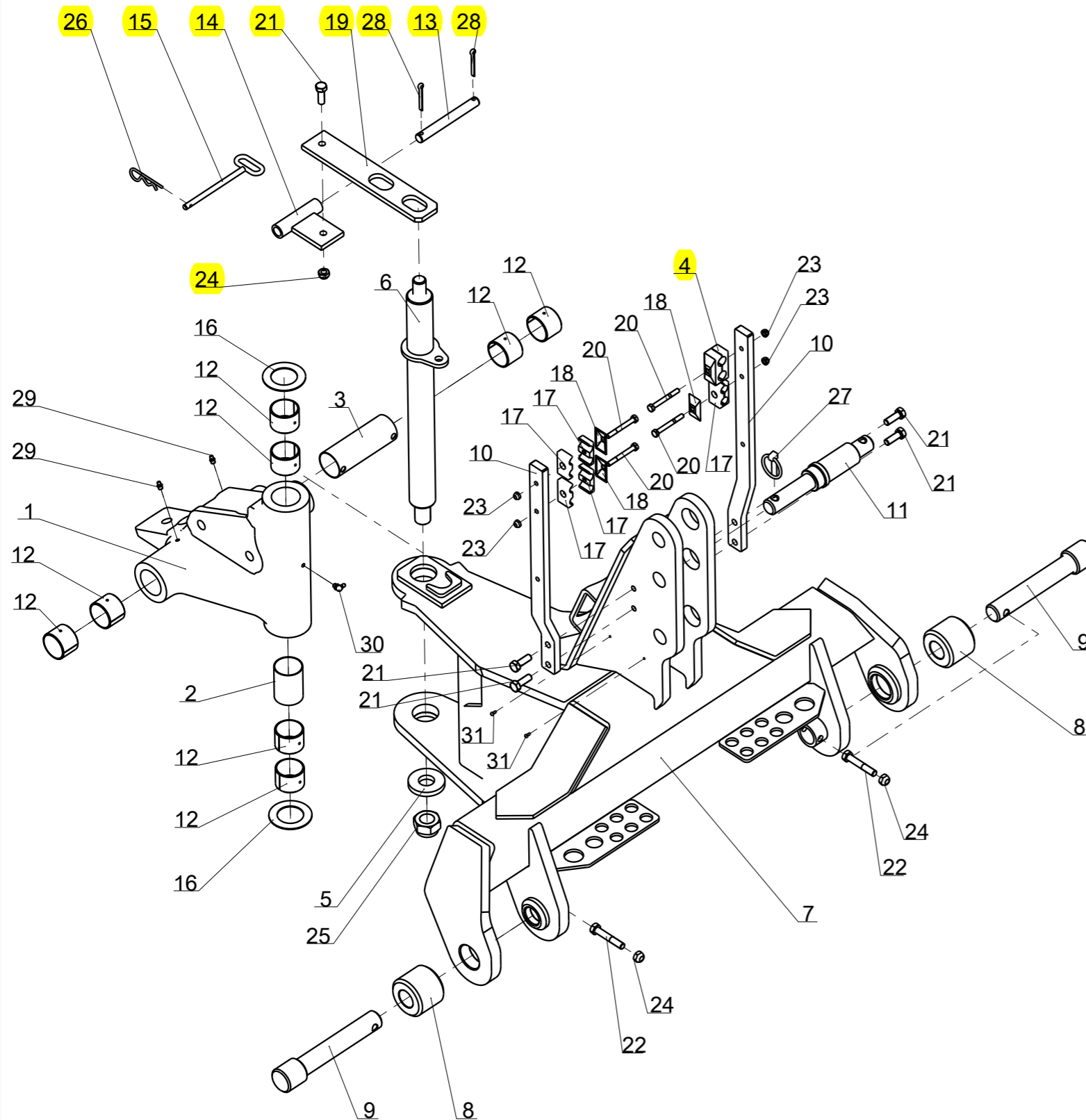
PY57551



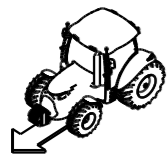
| Key | Part No.    | Part Name | Qty. | Serial No. | Remarks        |
|-----|-------------|-----------|------|------------|----------------|
| 1   | 5GB1223210U | Joint Kit | 1    |            |                |
| 2   | 5GB1223221  | Grease    | 1    |            |                |
| 3   | 5GB1223222  | Grease    | 1    |            |                |
| 4   | 5GB122106   | Washer    | 1    |            | 30.5 X 70 X 10 |
| 5   | 5GB122128   | Pin       | 1    |            |                |
| 6   | 5GB122191   | Hitch     | 1    |            | 4N D3 Standard |
| 7   | 5GB122193   | Coupling  | 2    |            |                |
| 8   | 5GB122194   | Coupling  | 2    |            |                |
| 9   | 5GB122195   | Support   | 2    |            |                |
| 10  | 5GB122197   | Point     | 1    |            |                |
| 11  | 5GB122246   | Bushing   | 8    |            |                |
| 12  | 5GB122295   | Washer    | 2    |            | 50.5 X 82 X 2  |
| 13  | 5GB122360   | Hose      | 8    |            |                |
| 14  | 5GB122361   | Plate     | 4    |            |                |
| 15  | 5GBVI2712   | Screw     | 4    |            | M8 X 70        |
| 16  | 5GBVI2905   | Screw     | 4    |            | M12 X 35       |
| 17  | 5GBVI2916   | Screw     | 2    |            | M12 X 70       |
| 18  | 5GBVJ320    | Nut       | 4    |            | M8 X 125       |
| 19  | 5GBVJ322    | Nut       | 2    |            | M12 X 175      |
| 20  | 5GBVJ335    | Nut       | 1    |            | M30 X 200      |
| 21  | 5GBVL103    | Pin       | 1    |            |                |
| 22  | 5GBVM201    | Grease    | 2    |            | M8 X 125       |
| 23  | 5GBVM203    | Grease    | 1    |            | M8 X 125       |
| 24  | 5GBVM410    | Rivet     | 2    |            |                |



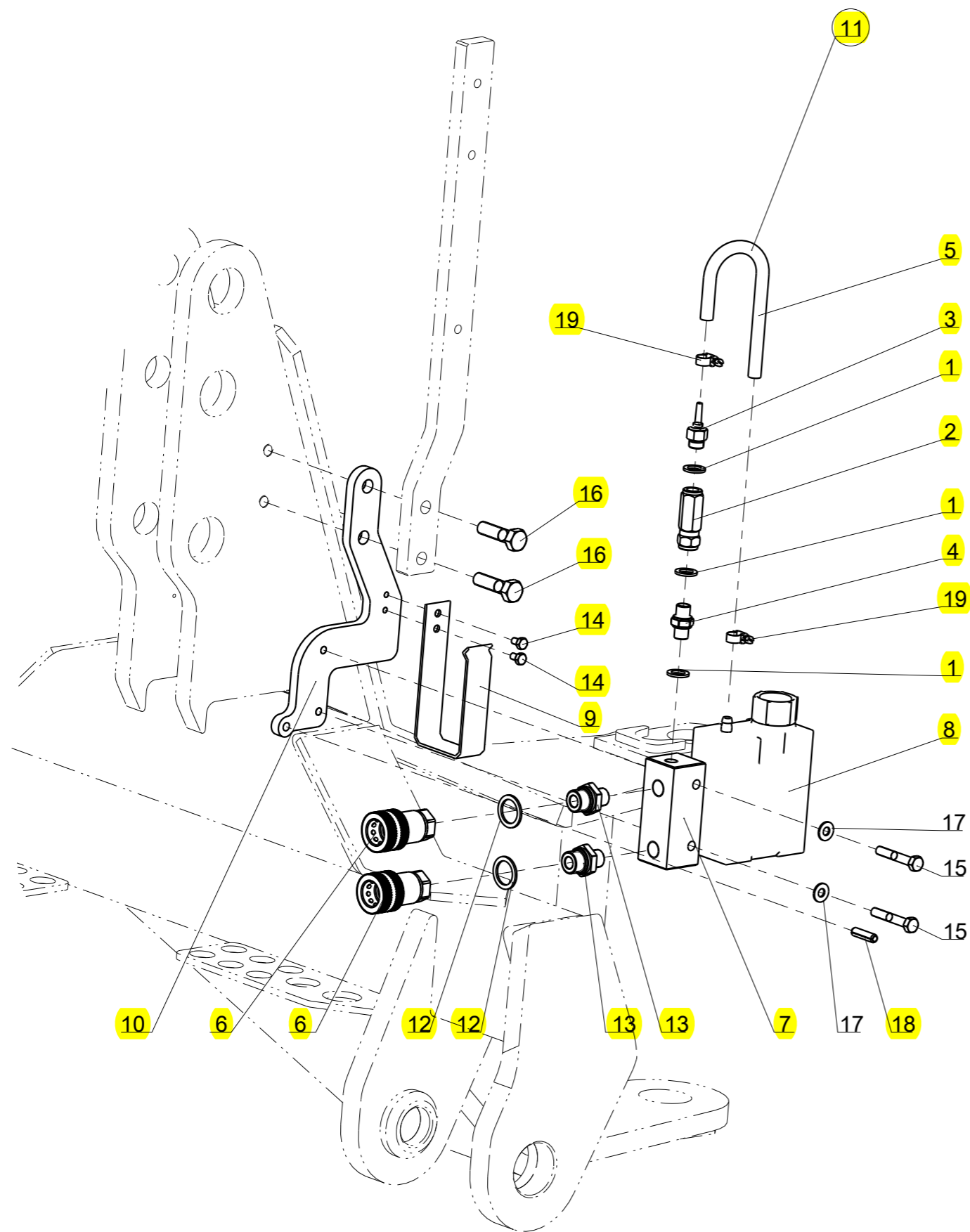
## Fixed hitched 4N D3 Std



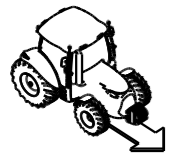
| Repere | Quantite | Reference      | Designation   |
|--------|----------|----------------|---|
| 1      | 1        | 5GB1 223 210 U | Cast iron cardan joint 110°                             |
| 2      | 1        | 5GB1 223 221   | Grease casing for cardan joint (front)                  |
| 3      | 1        | 5GB1 223 222   | Grease casing for cardan joint (rear)                   |
| 4      | 1        | 5GB1 235 106   | Double hose fixation 2x20 cpl.                          |
| 5      | 1        | 5GB122 106     | Special washer - 30.5x70x10                             |
| 6      | 1        | 5GB122 128     | Vertical pin SP 110°- Dia 50, lg. : 605 mm, thread 2.00 |
| 7      | 1        | 5GB122 191     | Hitch point SP fixed 3N / 4N                            |
| 8      | 2        | 5GB122 193     | Coupling  |
| 9      | 2        | 5GB122 194     | Coupling  |
| 10     | 2        | 5GB122 195     | Hose support / Headstock                                |
| 11     | 1        | 5GB122 197     | 3 point hitch top link pin Cat III / IV                 |
| 12     | 8        | 5GB122 246     | Bronze bushing - Dia50x55, lg. : 40 mm                  |
| 13     | 1        | 5GB122 249     | Bracket parking latch pin - Dia 18, lg. : 155 mm        |
| 14     | 1        | 5GB122 273     | Rear parking latch bracket                              |
| 15     | 1        | 5GB122 292     | Pin parking latch - Dia 10, lg. : 158 mm                |
| 16     | 2        | 5GB122 295     | Special washer - 50.5x82x2                              |
| 17     | 6        | 5GB122 360     | Double hose fixation 2x16                               |
| 18     | 3        | 5GB122 361     | Upper plate convex - hose fixation 2x16 28x49           |
| 19     | 1        | 5GB122 373     | Front parking latch bracket - lg. : 315 mm              |
| 20     | 4        | 5GBVI 27 12    | Screw H M8x 70 - 8.8 ZNBL                               |
| 21     | 5        | 5GBVI 29 05    | Screw H M12x 35 - 8.8 ZNBL                              |
| 22     | 2        | 5GBVI 29 16    | Screw H M12x 70 - 8.8 ZNBL                              |
| 23     | 4        | 5GBVJ 320      | Nyloc nut std H M 8 - 8 ZNBL                            |
| 24     | 3        | 5GBVJ 322      | Nyloc nut std H M 12 - 8 ZNBL                           |
| 25     | 1        | 5GBVJ 335      | Nyloc nut std H M 30 - 8 ZNBL - thread 200              |
| 26     | 1        | 5GBVL 002      | R Clip - 4, Z   |
| 27     | 1        | 5GBVL 103      | Lynch pin "Clips" Dia10 Z                               |
| 28     | 2        | 5GBVL 414      | Split pin V 6.3x50                                      |
| 29     | 2        | 5GBVM 201      | Grease nipple - M8, thread125                           |
| 30     | 1        | 5GBVM 203      | Grease nipple 90° M8x125                                |
| 31     | 2        | 5GBVM 410      | Fluted round head nail4x9                               |



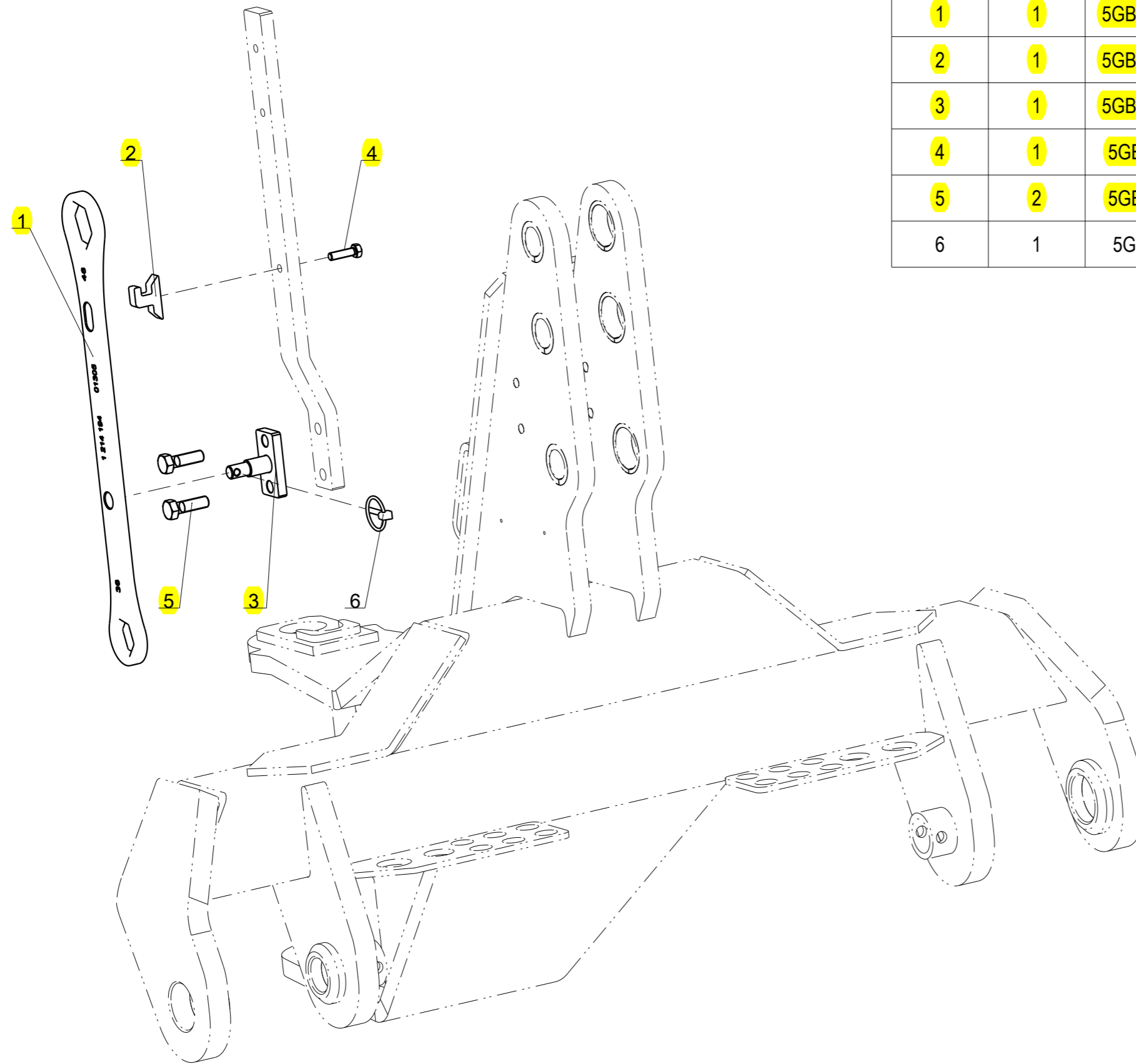
## Kit decompression



| Index | Quantité | Référence    | Designation                     |
|-------|----------|--------------|---------------------------------|
| 1     | 3        | 5GB1 114 639 | Ring BS 13 - Dia13x21 thick : 2 |
| 2     | 1        | 5GB1 115 321 | Check valve 1/4                 |
| 3     | 1        | 5GB1 116 553 | Cable press piece 6 M 8 -       |
| 4     | 1        | 5GB1 116 588 | Union M1/4 - M1/4               |
| 5     | 1        | 5GB1 116 589 | Hose                            |
| 6     | 2        | 5GB1 122 394 | Female coupler 1/4ISO-A         |
| 7     | 1        | 5GB1 122 396 | Block                           |
| 8     | 1        | 5GB1 122 397 | Oil tin                         |
| 9     | 1        | 5GB1 122 398 | Support tin                     |
| 10    | 1        | 5GB1 122 399 | Kit support push-pull           |
| 11    | 1        | 5GB1 122 404 | Kit decompression (complet)     |
| 12    | 2        | 5GB1 231 312 | Ring BS 23 - Dia23x31 thick : 2 |
| 13    | 2        | 5GB1 231 535 | Union M3/8 - M1/2               |
| 14    | 2        | 5GBVI 26 01  | Screw H M6x 10 - 8.8 ZNBL       |
| 15    | 2        | 5GBVI 27 10  | Screw H M8x 50 - 8.8 ZNBL       |
| 16    | 2        | 5GBVI 29 08  | Screw H M12x 45 - 8.8 ZNBL      |
| 17    | 2        | 5GBVK 502    | Flat washer MU8 ZNBL            |
| 18    | 1        | 5GBVL 221    | Thick roll pin - 8x30 mm        |
| 19    | 2        | 5GBVM 501    | Collar Serflex 8mm Dia10 to D16 |



# Kit key 36/46

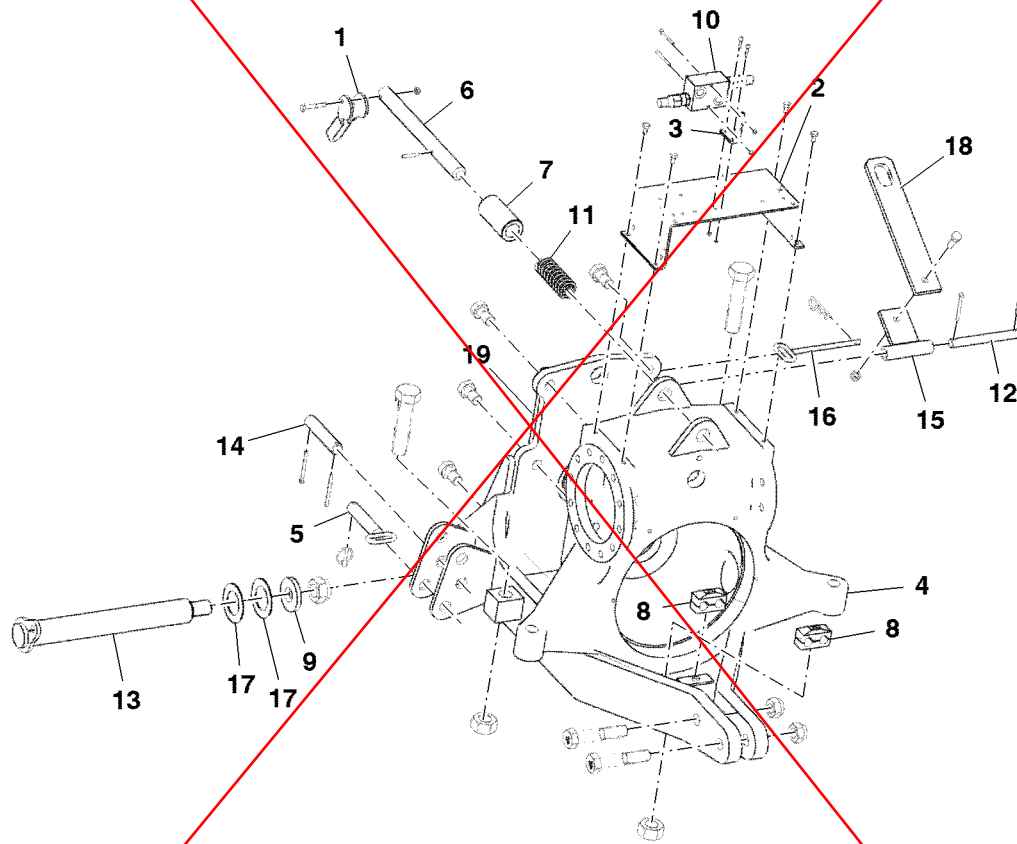


| Index | Quantité | Référence    | Designation                 |
|-------|----------|--------------|-----------------------------|
| 1     | 1        | 5GB1 214 194 | Key 36/46                   |
| 2     | 1        | 5GB1 214 195 | Axle support key            |
| 3     | 1        | 5GB1 214 196 | Key support                 |
| 4     | 1        | 5GBVI 27 06  | Screw H M8x 30 - 8.8 ZNBL   |
| 5     | 2        | 5GBVI 29 07  | Screw H M12x 40 - 10.9 ZNBL |
| 6     | 1        | 5GBVL 101    | Lynch pin "Clips" Dia6 Z    |



Turnover Standard, in-furrow Plow (1/4)  
Механизм поворота стандартный, плуг для работы в борозде (1/4)

PY57552 A.1

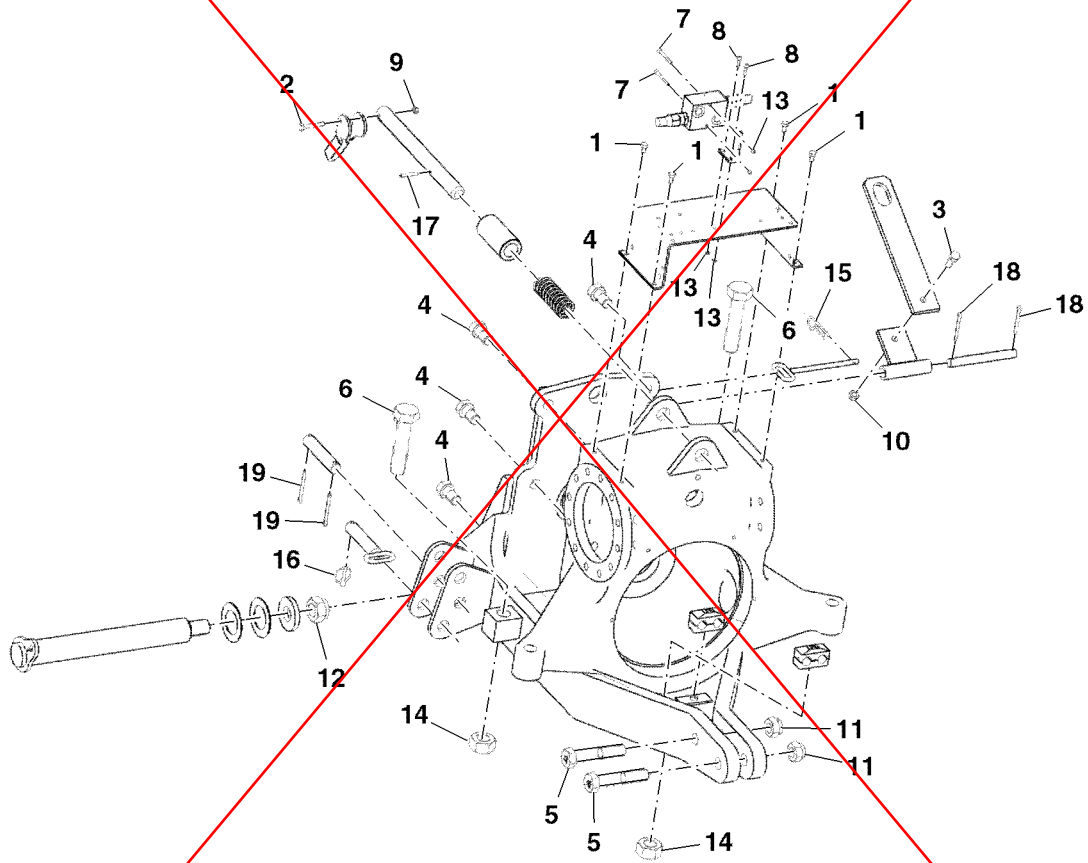


PY57552

| Key | Part No.    | Part Name              | Qty. | Serial No. | Remarks        |
|-----|-------------|------------------------|------|------------|----------------|
| 1   | 5GB1123115  | Handle                 | 1    |            |                |
|     | 5GB1212149  | Hydraulic Cylinder Kit | 1    |            |                |
| 2   | 5GB1223112  | Support                | 1    |            |                |
| 3   | 5GB1223115  | Support                | 1    |            |                |
| 4   | 5GB1223152U | Stud                   | 1    |            |                |
| 5   | 5GB1223164  | Leg                    | 2    |            |                |
| 6   | 5GB1223173  | Lock                   | 1    |            |                |
| 7   | 5GB1223211  | Socket                 | 1    |            |                |
| 8   | 5GB1235106  | Hose                   | 2    |            |                |
| 9   | 5GB122106   | Washer                 | 1    |            | 30.5 X 70 X 10 |
| 10  | 5GB122221   | Valve                  | 1    |            |                |
| 11  | 5GB122224   | Spring                 | 1    |            |                |
| 12  | 5GB122249   | Bracket                | 1    |            |                |
| 13  | 5GB122250   | Pin                    | 1    |            | M30 X 445      |
| 14  | 5GB122253   | Leg                    | 2    |            |                |
| 15  | 5GB122273   | Latch                  | 1    |            |                |
| 16  | 5GB122292   | Pin                    | 1    |            |                |
| 17  | 5GB122295   | Washer                 | 2    |            | 50.5 X 82 X 2  |
| 18  | 5GB122373   | Latch                  | 1    |            |                |
| 19  | 5GB122375   | Frame                  | 1    |            |                |

Turnover Standard, in-furrow Plow (2/4)  
Механизм поворота стандартный, плуг для работы в борозде (2/4)

PY57553 A 1



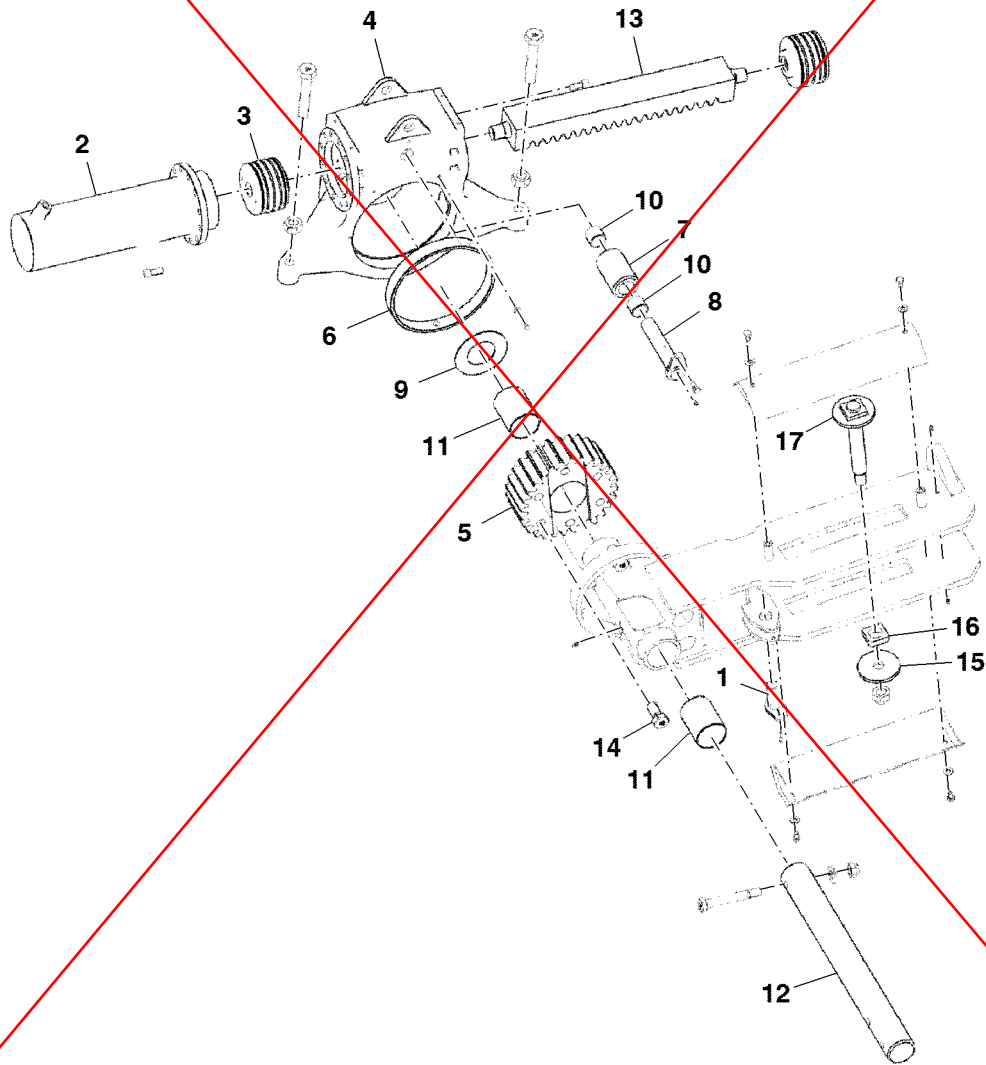
PY57553

| Key | Part No.  | Part Name | Qty. | Serial No. | Remarks   |
|-----|-----------|-----------|------|------------|-----------|
| 1   | 5GBVI2703 | Nut       | 4    |            | M8 X 16   |
| 2   | 5GBVI2710 | Screw     | 1    |            | M8 X 50   |
| 3   | 5GBVI2905 | Screw     | 1    |            | M12 X 35  |
| 4   | 5GBVI3401 | Screw     | 6    |            | M22 X 40  |
| 5   | 5GBVI3506 | Screw     | 2    |            | M24 X 120 |
| 6   | 5GBVI4703 | Screw     | 2    |            | M30 X 130 |
| 7   | 5GBVI4828 | Screw     | 2    |            | M5 X 50   |
| 8   | 5GBVI4832 | Screw     | 2    |            | M5 X 20   |
| 9   | 5GBVJ320  | Nut       | 1    |            | M8        |
| 10  | 5GBVJ322  | Nut       | 1    |            | M12       |
| 11  | 5GBVJ331  | Nut       | 2    |            | M24       |
| 12  | 5GBVJ335  | Nut       | 1    |            | M30       |
| 13  | 5GBVJ339  | Nut       | 4    |            | M5        |
| 14  | 5GBVJ626  | Nut       | 2    |            | M30       |
| 15  | 5GBVL002  | Clip      | 1    |            |           |
| 16  | 5GBVL101  | Pin       | 2    |            |           |
| 17  | 5GBVL214  | Pin       | 1    |            |           |
| 18  | 5GBVL414  | Pin       | 2    |            |           |
| 19  | 5GBVL415  | Pin       | 4    |            |           |

O  
F  
P  
R  
O  
O  
F

Turnover Standard, in-furrow Plow (3/4)  
Механизм поворота стандартный, плуг для работы в борозде (3/4)

PY57554 A.1



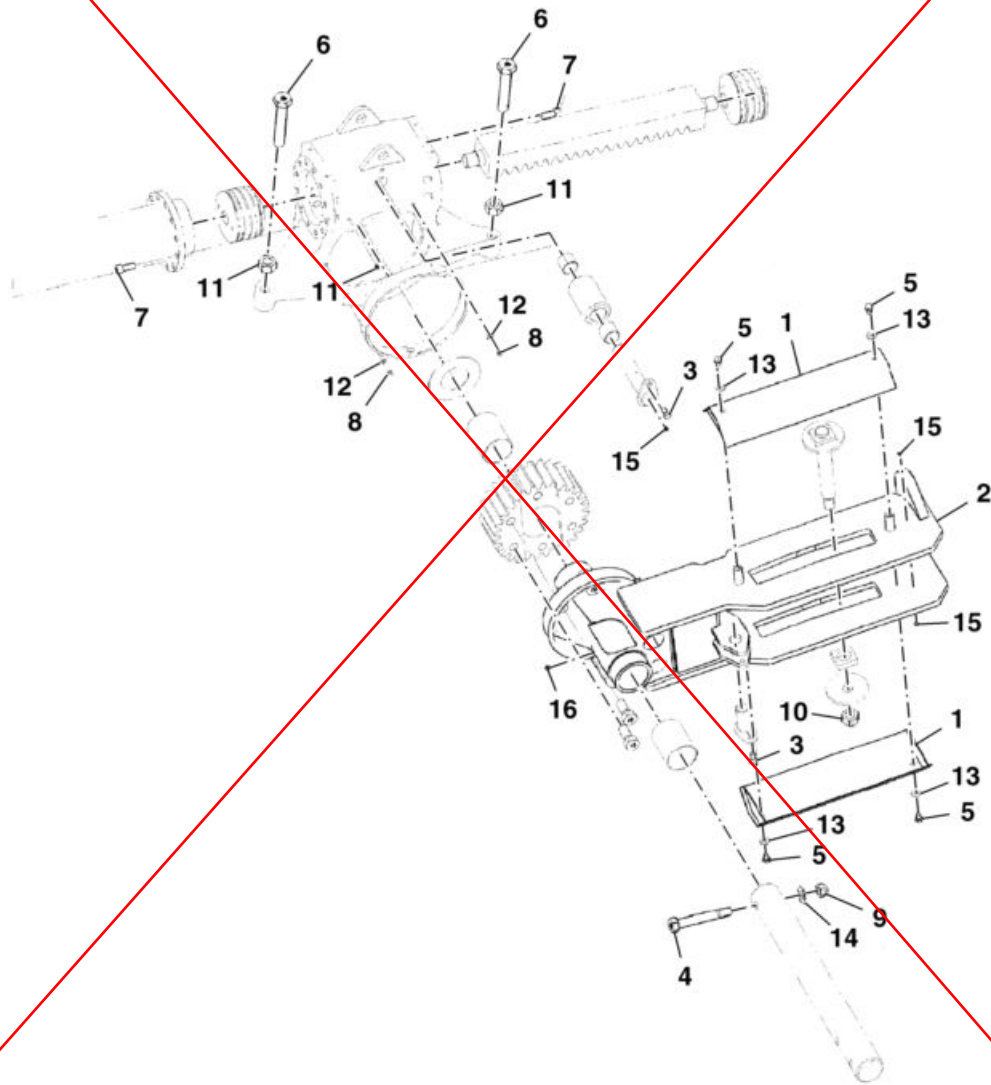
PY57554

| Key | Part No.    | Part Name | Qty. | Serial No. | Remarks  |
|-----|-------------|-----------|------|------------|----------|
| 1   | 5GB1116314  | Pin       | 1    |            |          |
| 2   | 5GB1223116  | Stud      | 2    |            |          |
| 3   | 5GB1223117  | Piston    | 2    |            |          |
| 4   | 5GB1223152U | Stud      | 1    |            |          |
| 5   | 5GB1223155  | Pinion    | 1    |            |          |
| 6   | 5GB1223156  | Bushing   | 1    |            |          |
| 7   | 5GB1223157  | Rack      | 1    |            |          |
| 8   | 5GB1223158  | Pin       | 1    |            |          |
| 9   | 5GB1223194  | Washer    | 1    |            |          |
| 10  | 5GB1291306  | Wheel     | 2    |            |          |
| 11  | 5GB122231   | Bushing   | 2    |            |          |
| 12  | 5GB122251   | Shaft     | 1    |            |          |
| 13  | 5GB122256   | Rack      | 1    |            |          |
| 14  | 5GB122265   | Screw     | 6    |            | M27 X 60 |
| 15  | 5GB122283   | Adjuster  | 1    |            |          |
| 16  | 5GB122284   | Adjuster  | 1    |            |          |
| 17  | 5GB122288   | Adjuster  | 1    |            |          |

P  
R  
O  
O  
F  
  
P  
R  
O  
O  
F

Turnover Standard, in-furrow Plow (4/4)  
Механизм поворота стандартный, плуг для работы в борозде (4/4)

PY57888 A.1

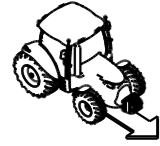


PY57888

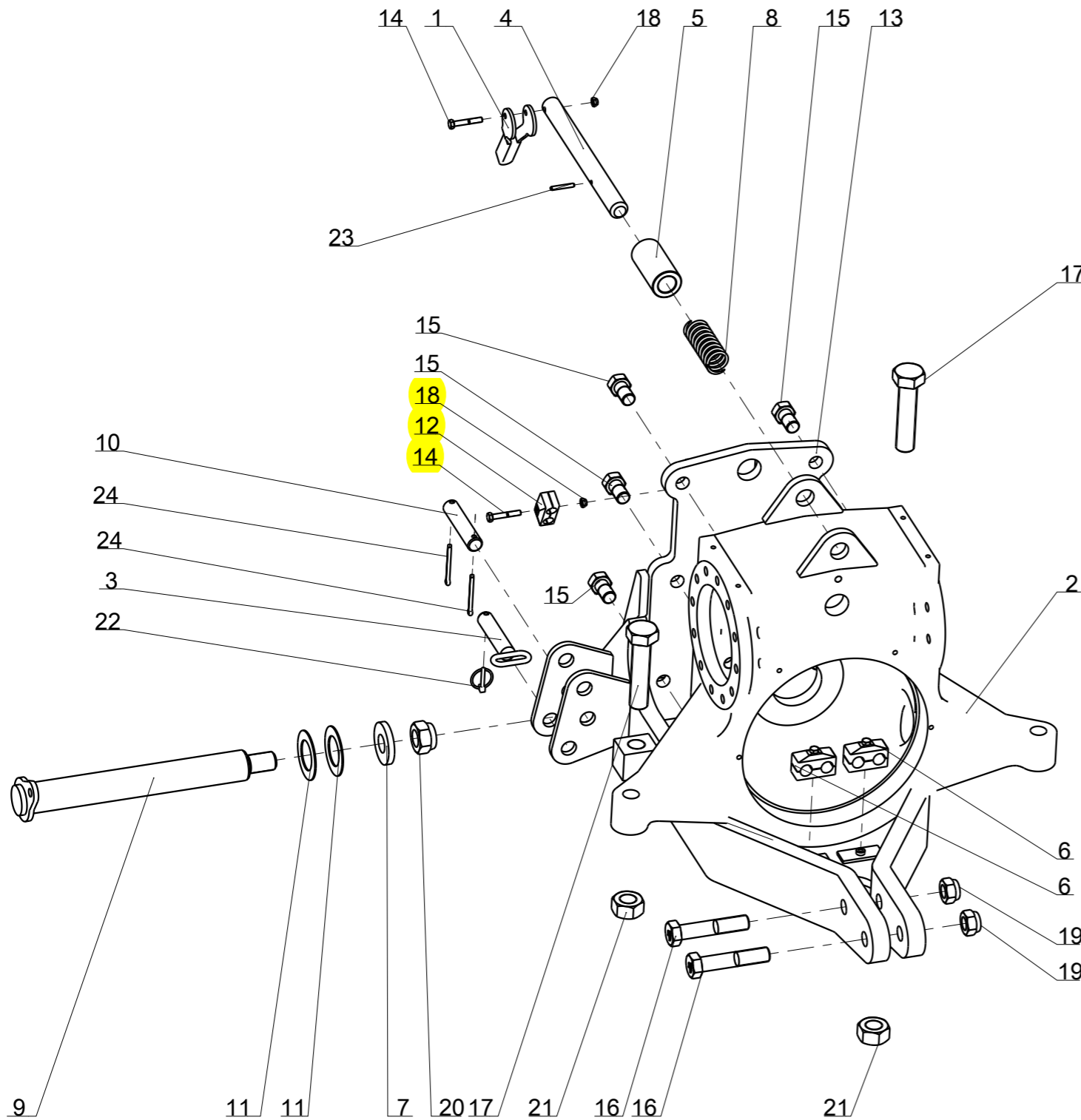
| Key | Part No.  | Part Name | Qty. | Serial No. | Remarks   |
|-----|-----------|-----------|------|------------|-----------|
| 1   | 5GB122325 | Support   | 2    |            |           |
| 2   | 5GB122374 | Pinion    | 1    |            |           |
| 3   | 5GBVI2433 | Screw     | 2    |            | M12 X 22  |
| 4   | 5GBVI3515 | Screw     | 1    |            | M24 X 170 |
| 5   | 5GBVI4102 | Screw     | 4    |            | M12 X 20  |
| 6   | 5GBVI4701 | Screw     | 2    |            | M30 X 160 |
| 7   | 5GBVI4824 | Screw     | 24   |            | M16 X 40  |
| 8   | 5GBVI4902 | Screw     | 2    |            | M8 X 12   |
| 9   | 5GBVJ331  | Nut       | 1    |            | M24       |
| 10  | 5GBVJ335  | Nut       | 1    |            | M30       |
| 11  | 5GBVJ626  | Nut       | 2    |            | M30       |
| 12  | 5GBVK502  | Washer    | 2    |            |           |
| 13  | 5GBVK504  | Washer    | 4    |            |           |
| 14  | 5GBVK510  | Washer    | 1    |            |           |
| 15  | 5GBVM201  | Grease    | 5    |            | M8        |
| 16  | 5GBVM205  | Grease    | 1    |            | M10       |

PROOF OF P R O O F





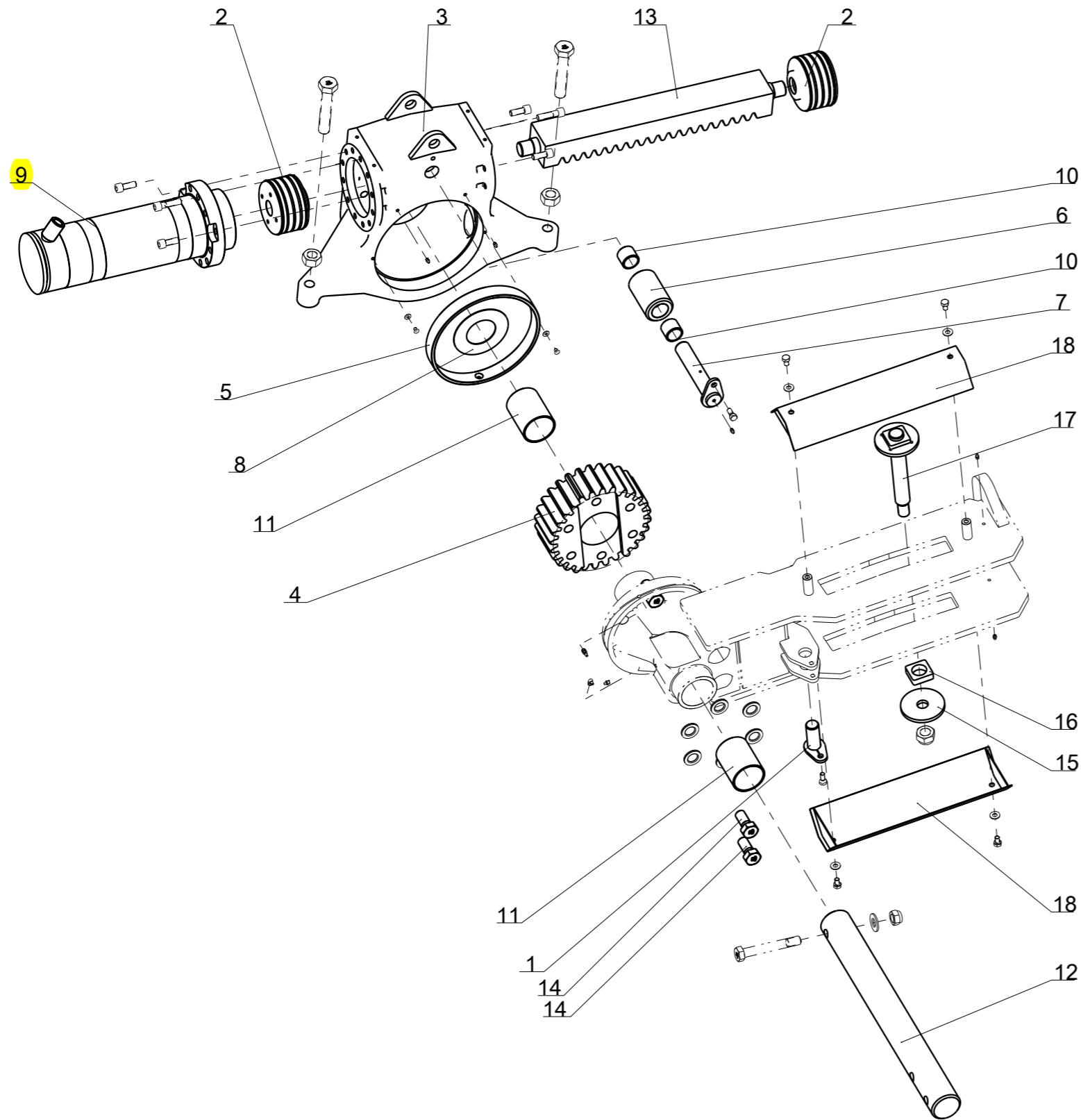
## Turnover Semi-Mounted Single wheel



| Repere | Quantite | Reference      | Designation   |
|--------|----------|----------------|---|
| 1      | 1        | 5GB1 123 115   | Handle for transport pin                                  |
| 2      | 1        | 5GB1 223 152 U | headstock casting   |
| 3      | 2        | 5GB1 223 164   | Parking leg pin   |
| 4      | 1        | 5GB1 223 173   | Transport lock pin  |
| 5      | 1        | 5GB1 223 211   | Socket (transport lock)                                   |
| 6      | 2        | 5GB1 235 106   | Double hose fixation 2x2O cpl.                            |
| 7      | 1        | 5GB122 106     | Special washer - 3O.5x7Ox1O                               |
| 8      | 1        | 5GB122 224     | Spring N°12 bis for transport lock - Dia 4O, lg. : 11O mm |
| 9      | 1        | 5GB122 250     | Horizontal crucifix pin - Dia 5O, Lu:378mm,M3O            |
| 10     | 2        | 5GB122 253     | Parking leg pin - Dia 25, Lu:1OO mm                       |
| 11     | 2        | 5GB122 295     | Special washer - 5O.5x82x2                                |
| 12     | 1        | 5GB122 358     | Double hose fixation 2x16 cpl.                            |
| 13     | 1        | 5GB122 375     | Headstock frame   |
| 14     | 2        | 5GBVI 27 10    | Screw H M8x 5O - 8.8 ZNBL                                 |
| 15     | 6        | 5GBVI 34 01    | Screw H M22x 4O - 8.8 ZNBL , thread /25 mm                |
| 16     | 2        | 5GBVI 35 06    | Screw H M24x12O - 8.8 ZNBL                                |
| 17     | 2        | 5GBVI 47 03    | Screw H M3Ox13O - 1O.9 ZNBL                               |
| 18     | 2        | 5GBVJ 320      | Nyloc nut std H M 8 - 8 ZNBL                              |
| 19     | 2        | 5GBVJ 331      | Nyloc nut std H M 24 - 8 ZNBL                             |
| 20     | 1        | 5GBVJ 335      | Nyloc nut std H M 3O - 8 ZNBL - thread 2OO                |
| 21     | 2        | 5GBVJ 626      | Nut HU M3O - 8 ZNBL                                       |
| 22     | 2        | 5GBVL 101      | Lynch pin "Clips" Dia6 Z                                  |
| 23     | 1        | 5GBVL 214      | Thick roll pin - 6x4O mm                                  |
| 24     | 4        | 5GBVL 415      | Split pin V 6.3x6O  |



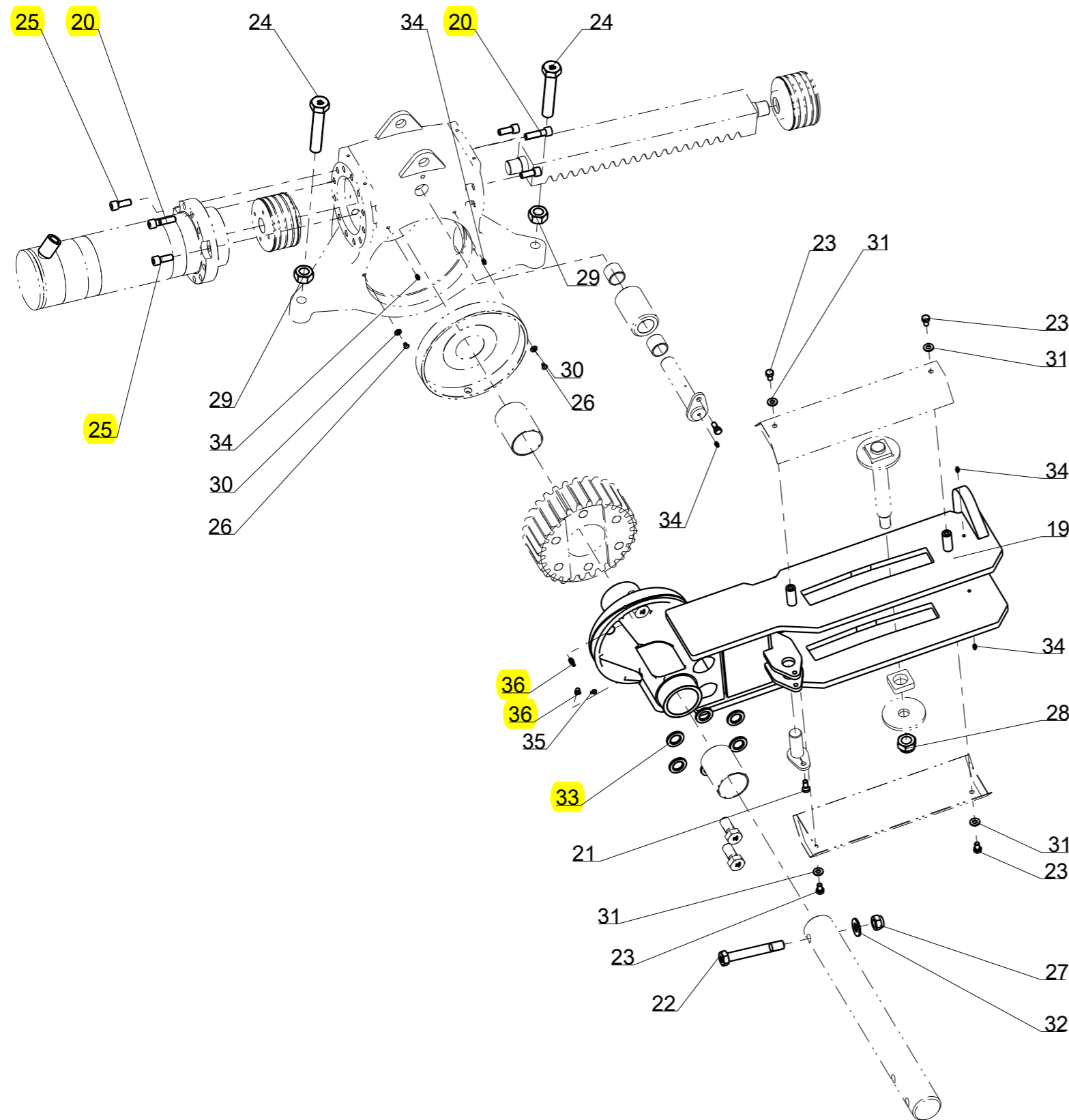
## Turnover Semi-Mounted Single wheel



| Repere | Quantite | Reference      | Designation  |
|--------|----------|----------------|--|
| 1      | 1        | 5GB1 116 314   | Pin (variwidth ram)                                  |
| 2      | 2        | 5GB1 223 117   | Piston for cylinder - Dia 150, width : 107 mm        |
| 3      | 1        | 5GB1 223 152 U | headstock casting                                    |
| 4      | 1        | 5GB1 223 155   | pinion - width : 133 mm                              |
| 5      | 1        | 5GB1 223 156   | Plastic bushing for pinion                           |
| 6      | 1        | 5GB1 223 157   | Rack guide bearing                                   |
| 7      | 1        | 5GB1 223 158   | headstock rollers pin                                |
| 8      | 1        | 5GB1 223 194   | Special washer - Dia 85.5x160x2                      |
| 9      | 2        | 5GB1 223 236   | Ram semi-mounted Dia150                              |
| 10     | 2        | 5GB1 291 306   | Bush composite Dia40x48 Lg=40                        |
| 11     | 2        | 5GB122 231     | Plastic bush - Dia 93 x 86, lg. : 120 mm             |
| 12     | 1        | 5GB122 251     | Front shaft - Dia 85, lg. : 790 mm                   |
| 13     | 1        | 5GB122 256     | rack - width : 100 mm                                |
| 14     | 6        | 5GB122 265     | Screw H M27x 60 - 10.9 Znbl, thread /45mm, thread200 |
| 15     | 1        | 5GB122 283     | Adjuster guide washer                                |
| 16     | 1        | 5GB122 284     | Adjuster guide block                                 |
| 17     | 1        | 5GB122 288     | Front adjuster guide pin                             |
| 18     | 2        | 5GB122 325     | Protection for support pinion                        |



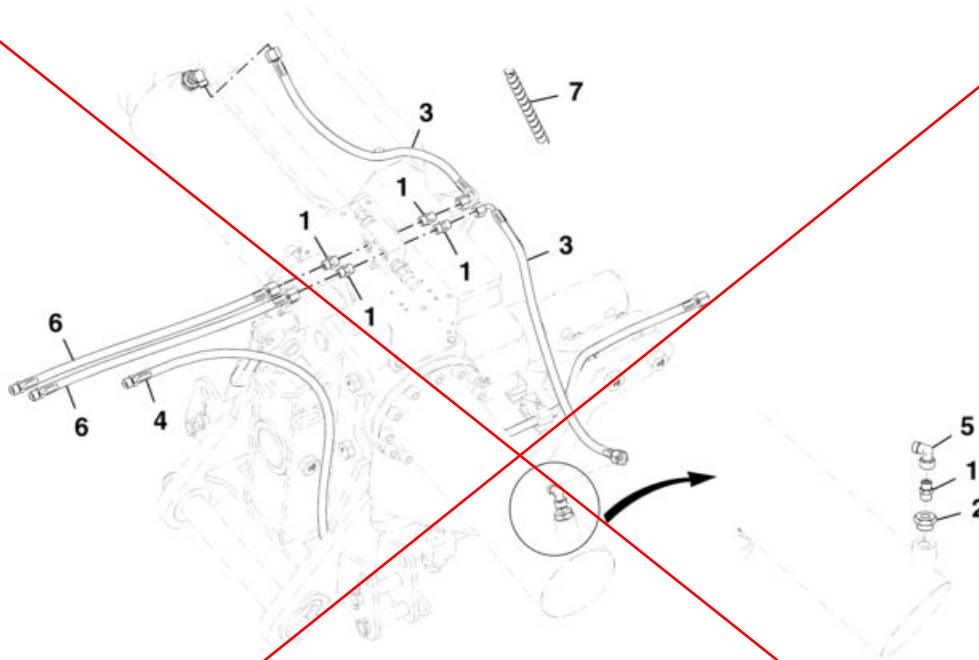
## Turnover Semi-Mounted Single wheel



| Repere | Quantite | Reference      | Designation                                |
|--------|----------|----------------|--|
| 19     | 1        | 5GB122 374     | Pinion support                             |
| 20     | 20       | 5GB802 503 000 | Screw CHc M16x 60 - 8.8 Black              |
| 21     | 2        | 5GBVI 24 33    | Screw H conical M12x22 lg. : 36            |
| 22     | 1        | 5GBVI 35 15    | Screw H M24x170 - 10.9 ZNBL, thread /36 mm |
| 23     | 4        | 5GBVI 41 02    | Screw H M12x 20 - 8.8 ZNBL                 |
| 24     | 2        | 5GBVI 47 01    | Screw H M30x160 - 10.9 ZNBL                |
| 25     | 4        | 5GBVI 48 24    | Screw CHc M16x 40 - 8.8 Black              |
| 26     | 2        | 5GBVI 49 02    | Screw FHC M8x 12 - 10.9 Black              |
| 27     | 1        | 5GBVJ 331      | Nyloc nut std H M 24 - 8 ZNBL              |
| 28     | 1        | 5GBVJ 335      | Nyloc nut std H M 30 - 8 ZNBL - thread 200 |
| 29     | 2        | 5GBVJ 626      | Nut HU M30 - 8 ZNBL                        |
| 30     | 2        | 5GBVK 502      | Flat washer MU8 ZNBL                       |
| 31     | 4        | 5GBVK 504      | Flat washer MU12 ZNBL                      |
| 32     | 1        | 5GBVK 510      | Flat washer MU24 ZNBL                      |
| 33     | 6        | 5GBVK 522      | Washer ZNBL NL27                           |
| 34     | 5        | 5GBVM 201      | Grease nipple - M8, thread125              |
| 35     | 1        | 5GBVM 205      | Grease nipple - M10, thread150             |
| 36     | 2        | 5GBVM 207      | Grease nipple 90° M10x150                  |

**Hydraulic Kit, Turnover and Wheel**  
**Гидравлический комплект, механизм поворота и колесо**

PY57556 A.1

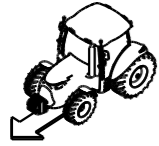


PY57556

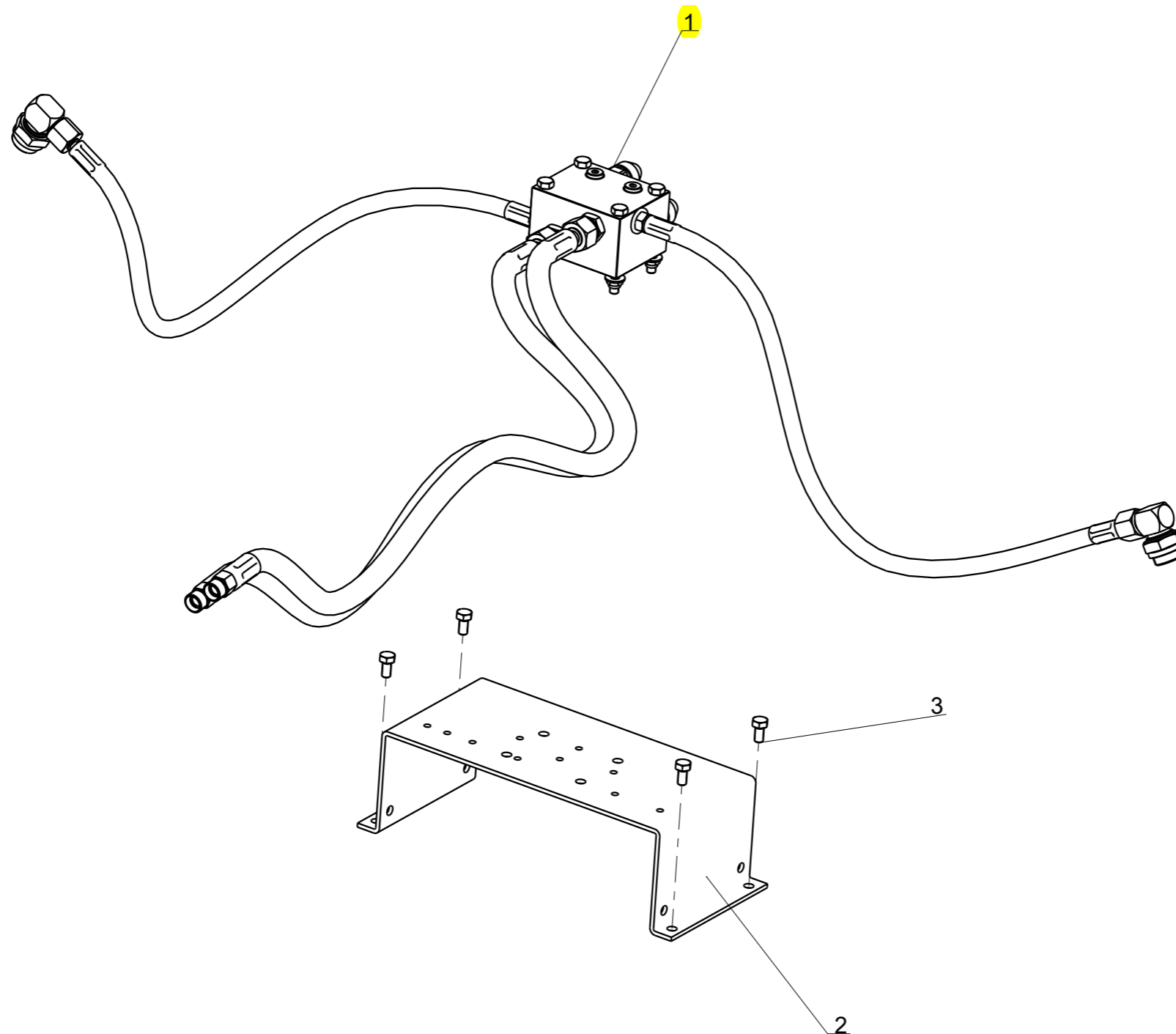
| Key | Part No.   | Part Name     | Qty. | Serial No. | Remarks                       |
|-----|------------|---------------|------|------------|-------------------------------|
| 1   | 5GB1116363 | Union Fitting | 6    |            | M12                           |
| 2   | 5GB1221224 | Reducer       | 2    |            | M3 / 4                        |
| 3   | 5GB1223136 | Hose          | 2    |            |                               |
| 4   | 5GB1292169 | Hose          | 1    |            |                               |
| 5   | 5GB1223115 | Fitting       | 2    |            |                               |
| 6   | 5GB1223338 | Hose          | 2    |            |                               |
| 7   | 5GB1116581 | Spring        | 1    |            | Hose Protector, OD 15 mm      |
|     | 5GB1116582 | Spring        | 1    |            | Hose Protector, OD 20 mm      |
|     | 5GB1116580 | Spring        | 1    |            | Hose Protector, OD 13 mm      |
|     | 5GB1116546 | Spring        | 1    |            | Hose Protector, OD 25 - 40 mm |

P  
R  
O  
O  
F

# Direct turnover, semi-mounted plow



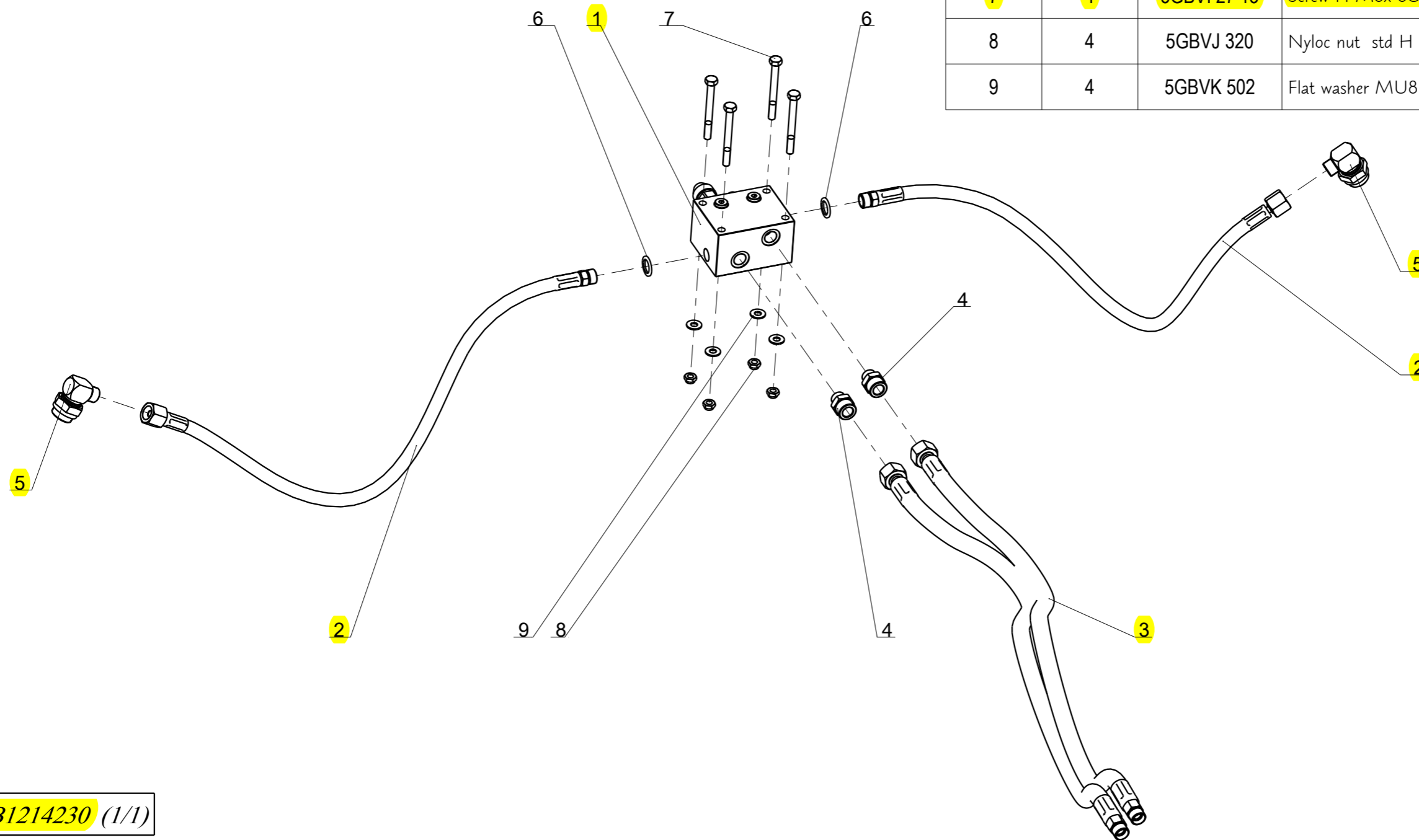
| Index | Quantite | Reference    | Designation               |
|-------|----------|--------------|---------------------------|
| 1     | 1        | 5GB1 214 230 | Kit pressure limiter      |
| 2     | 1        | 5GB1 223 112 | Support (hydraulic block) |
| 3     | 4        | 5GBVI 27 03  | Screw H M8x 16 - 8.8 ZNBL |



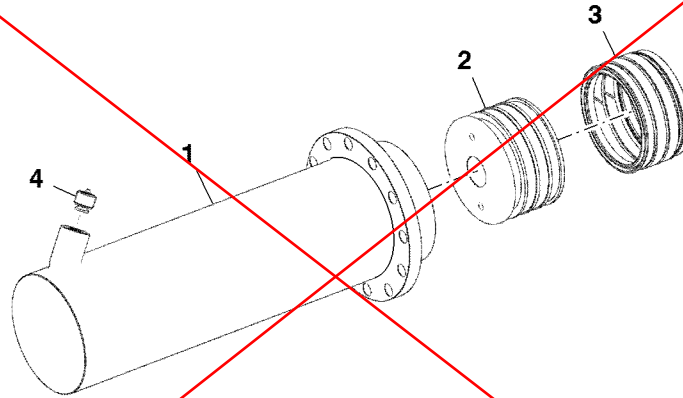


# Kit pressure limiter

| Index | Quantité | Référence    | Designation                                       |
|-------|----------|--------------|---|
| 1     | 1        | 5GB1 214 231 | Pressure limiter 18OB                             |
| 2     | 2        | 5GB1 214 233 | Hydraulic hose 5/16 Lg:800, F12-M3/8              |
| 3     | 2        | 5GB1 223 131 | Hydraulic hose - Dia 1/2", lg. :3000mm, F15-MVA18 |
| 4     | 2        | 5GB1 231 523 | Union M15 + M3/8 Cyl                              |
| 5     | 2        | 5GB1 231 554 | Swivel elbow M12 - 3 / 4G                         |
| 6     | 2        | 5GB10 248    | Ring BS 17  |
| 7     | 4        | 5GBVI 27 13  | Screw H M8x 80 - 8.8 ZNBL                         |
| 8     | 4        | 5GBVJ 320    | Nyloc nut std H M 8 - 8 ZNBL                      |
| 9     | 4        | 5GBVK 502    | Flat washer MU8 ZNBL                              |



**Ram and Piston Turnover**  
**Механизм поворота плунжеров и поршней**  
 PY57557 A.1



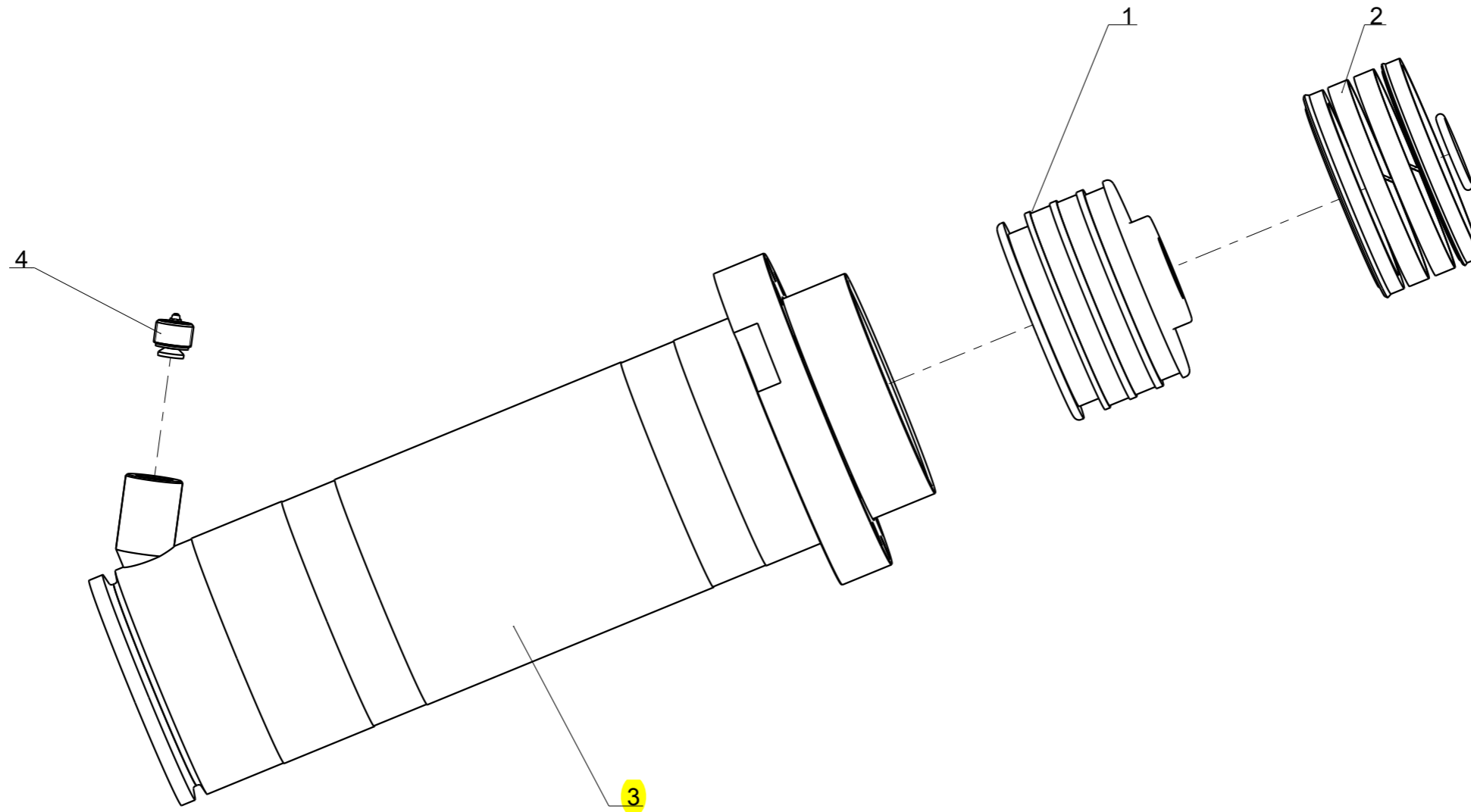
**PY57557**

| Key | Part No.   | Part Name | Qty. | Serial No. | Remarks |
|-----|------------|-----------|------|------------|---------|
| 1   | 5GB1223116 | Stud      | 1    |            |         |
| 2   | 5GB1223117 | Piston    | 1    |            |         |
| 3   | 5GB1223118 | Seal      | 1    |            |         |
| 4   | 5GB122364  | Valve     | 1    |            |         |



## Ram + piston turnover

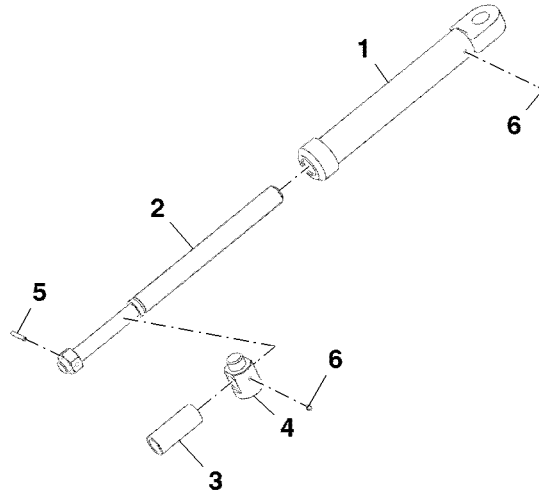
| Repere | Quantité | Reference    | Designation  |
|--------|----------|--------------|--|
| 1      | 1        | 5GB1 223 117 | Piston for cylinder  |
| 2      | 1        | 5GB1 223 118 | Seal kit for Piston for cylinder - Dia 150, width : 107 mm |
| 3      | 1        | 5GB1 223 236 | Ram semi-mounted Dia150                                    |
| 4      | 1        | 5GB122 364   | Parachute valve Hawe 3/4"                                  |





**Mechanical Front in-furrow Plow**  
**Механический передний плуг для работы в борозде**

PY57558 A.1



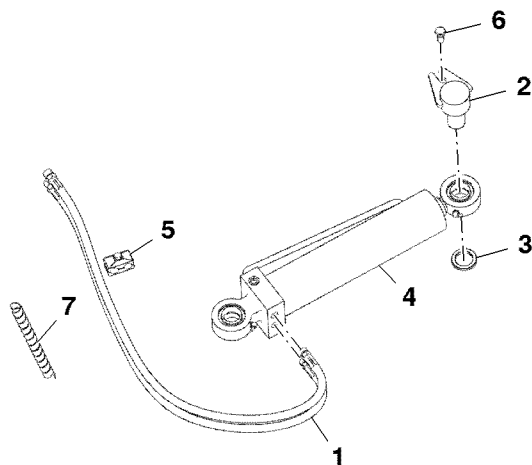
## PY57558

| Key | Part No.  | Part Name | Qty. | Serial No. | Remarks |
|-----|-----------|-----------|------|------------|---------|
| 1   | 5GB122327 | Adjuster  | 1    |            |         |
| 2   | 5GB122328 | Adjuster  | 1    |            |         |
| 3   | 5GB122329 | Bushing   | 1    |            |         |
| 4   | 5GB122330 | Adjuster  | 1    |            |         |
| 5   | 5GBVL222  | Pin       | 1    |            |         |
| 6   | 5GBVM201  | Grease    | 2    | M8         |         |

P  
R  
O  
O  
F

**Hydraulic Independent Front Furrow**  
**Гидравлический независимый передний каток**

PY57559 A.1



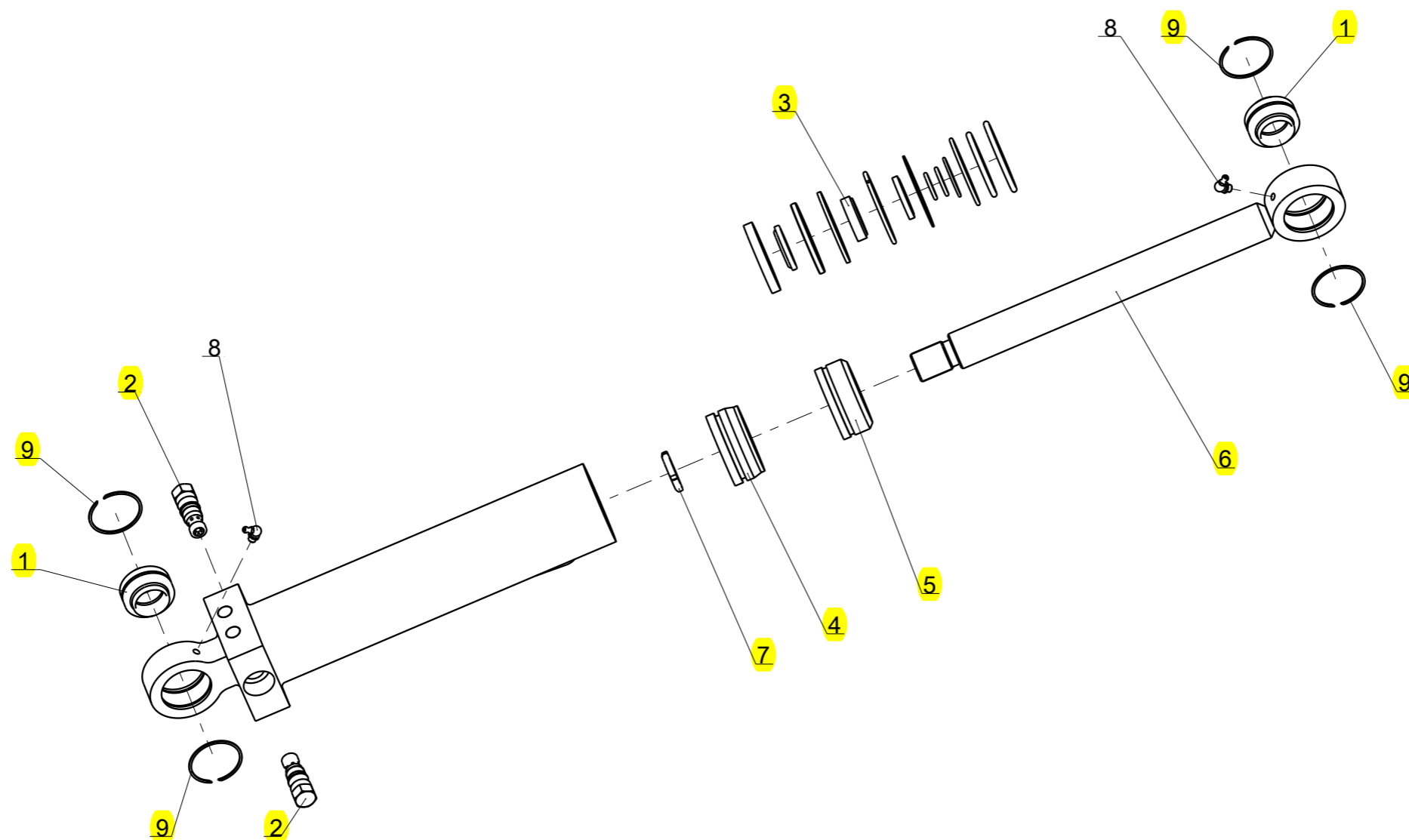
## PY57559

| Key | Part No.   | Part Name              | Qty. | Serial No. | Remarks                       |
|-----|------------|------------------------|------|------------|-------------------------------|
| 1   | 5GB1212150 | Hydraulic Cylinder Kit | 1    |            |                               |
| 2   | 5GB122331  | Adjuster               | 1    |            |                               |
| 3   | 5GB122332  | Bushing                | 1    |            |                               |
| 4   | 5GB122350  | Adjuster               | 1    |            |                               |
| 5   | 5GB122358  | Hose                   | 1    |            |                               |
| 6   | 5GBV12433  | Screw                  | 1    |            | M12 X 22                      |
| 7   | 5GB1223180 | Hydraulic Cylinder Kit | 2    |            | M3 / 8                        |
|     | 5GB1116581 | Spring                 | 1    |            | Hose Protector, OD 15 mm      |
|     | 5GB1116582 | Spring                 | 1    |            | Hose Protector, OD 20 mm      |
|     | 5GB1116580 | Spring                 | 1    |            | Hose Protector, OD 13 mm      |
|     | 5GB1116546 | Spring                 | 1    |            | Hose Protector, OD 25 - 40 mm |



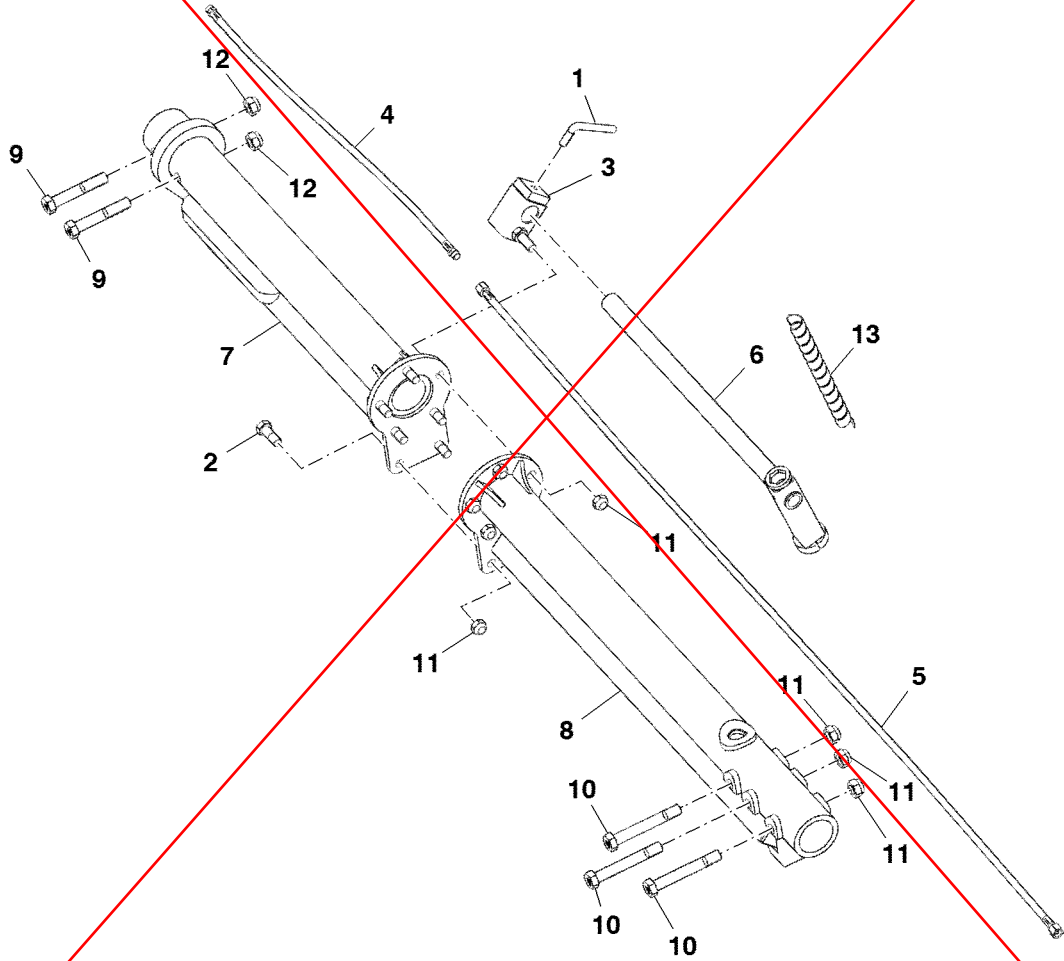
# Front adjuster cylinder - DA, Dia 80x40, Str.:300 mm

| Repere | Quantite | Reference    | Designation                      |
|--------|----------|--------------|----------------------------------|
| 1      | 2        | 5GB1 116 241 | Bearing GE35HO 35x55x35          |
| 2      | 2        | 5GB1 122 467 | Check valve kit                  |
| 3      | 1        | 5GB1 122 544 | Seal kit for ram 80x40 Str.230   |
| 4      | 1        | 5GB122 319   | Piston - Ram DA 80x40 Str.300    |
| 5      | 1        | 5GB122 321   | Ram Stick guide DA 80x40 Str.300 |
| 6      | 1        | 5GB122 351   | Ram Stick 80x40 Str.300          |
| 7      | 1        | 5GBVJ 013    | Nut KMO6 M30x150 - 8 ZNBL        |
| 8      | 2        | 5GBVM 203    | Grease nipple 90° M8x125         |
| 9      | 4        | 5GBVM 302    | Stop washer for bore D.55        |



Stabilizer Bar 2446 mm (2), Beam 5 - Furrow (1000)  
Стабилизатор 2446 мм (2), брус с 5 катками (1000)

PY57560 A.1



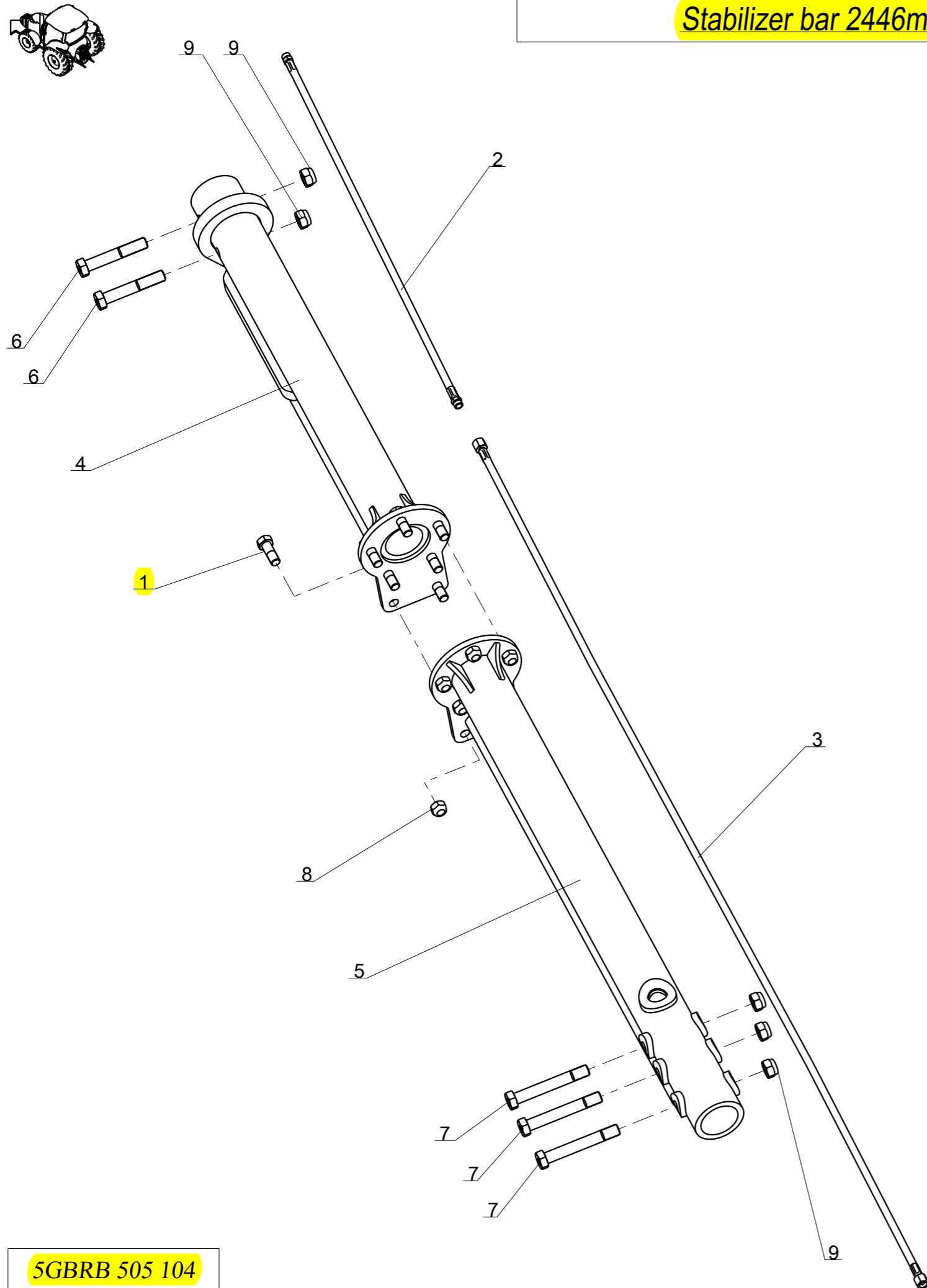
PY57560



| Key | Part No.   | Part Name  | Qty. | Serial No. | Remarks                       |
|-----|------------|------------|------|------------|-------------------------------|
| 1   | 5GB1112424 | Leg        | 1    |            | M16                           |
| 2   | 5GB1116169 | Screw      | 6    |            | M20 X 55                      |
| 3   | 5GB1212113 | Wrench     | 1    |            | M20                           |
| 4   | 5GB1212126 | Hose       | 1    |            |                               |
| 5   | 5GB1212134 | Hose       | 1    |            |                               |
| 6   | 5GB1212166 | Toolbox    | 1    |            |                               |
| 7   | 5GB1212168 | Stabilizer | 1    |            | 2446 mm                       |
| 8   | 5GB1212171 | Stabilizer | 1    |            | 2446 mm                       |
| 9   | 5GBVI3508  | Screw      | 2    |            | M24 X 140                     |
| 10  | 5GBVI3515  | Screw      | 3    |            | M24 X 170                     |
| 11  | 5GBVJ327   | Nut        | 7    |            | M20                           |
| 12  | 5GBVJ331   | Nut        | 5    |            | M24                           |
| 13  | 5GB1116581 | Spring     | 1    |            | Hose Protector, OD 15 mm      |
|     | 5GB1116582 | Spring     | 1    |            | Hose Protector, OD 20 mm      |
|     | 5GB1116580 | Spring     | 1    |            | Hose Protector, OD 13 mm      |
|     | 5GB1116546 | Spring     | 1    |            | Hose Protector, OD 25 - 40 mm |

DRAFT OF PROOF

## Stabilizer bar 2446mm (2), Beam 5-furrow (1000)



**5GBRB 505 104**

| Repere   | Quantité | Reference    | Designation                                    |
|----------|----------|--------------|--|
| <b>1</b> | <b>7</b> | 5GB1 116 169 | Screw H M20x55 - 10.9 ZNBL, thread /27 mm      |
| 2        | 1        | 5GB1 212 126 | Hydraulic hose - 5/16", Lg. : 1040 mm, M12-M12 |
| 3        | 1        | 5GB1 212 134 | Hydraulic hose - 5/16", Lg. : 2840 mm, F12-F12 |
| 4        | 1        | 5GB1 212 168 | Stabilizer bar (front) Lg:1068mm               |
| 5        | 1        | 5GB1 212 171 | Stabilizer bar (rear) Compact Lg:1378mm        |
| 6        | 2        | 5GBVI 35 08  | Screw H M24x140 - 8.8 ZNBL                     |
| 7        | 3        | 5GBVI 35 15  | Screw H M24x170 - 10.9 ZNBL, thread /36 mm     |
| 8        | 7        | 5GBVJ 327    | Nyloc nut std H M 20 - 8 ZNBL                  |
| 9        | 5        | 5GBVJ 331    | Nyloc nut std H M 24 - 8 ZNBL                  |

*if need for hydraulic hose protection, order the desired length*

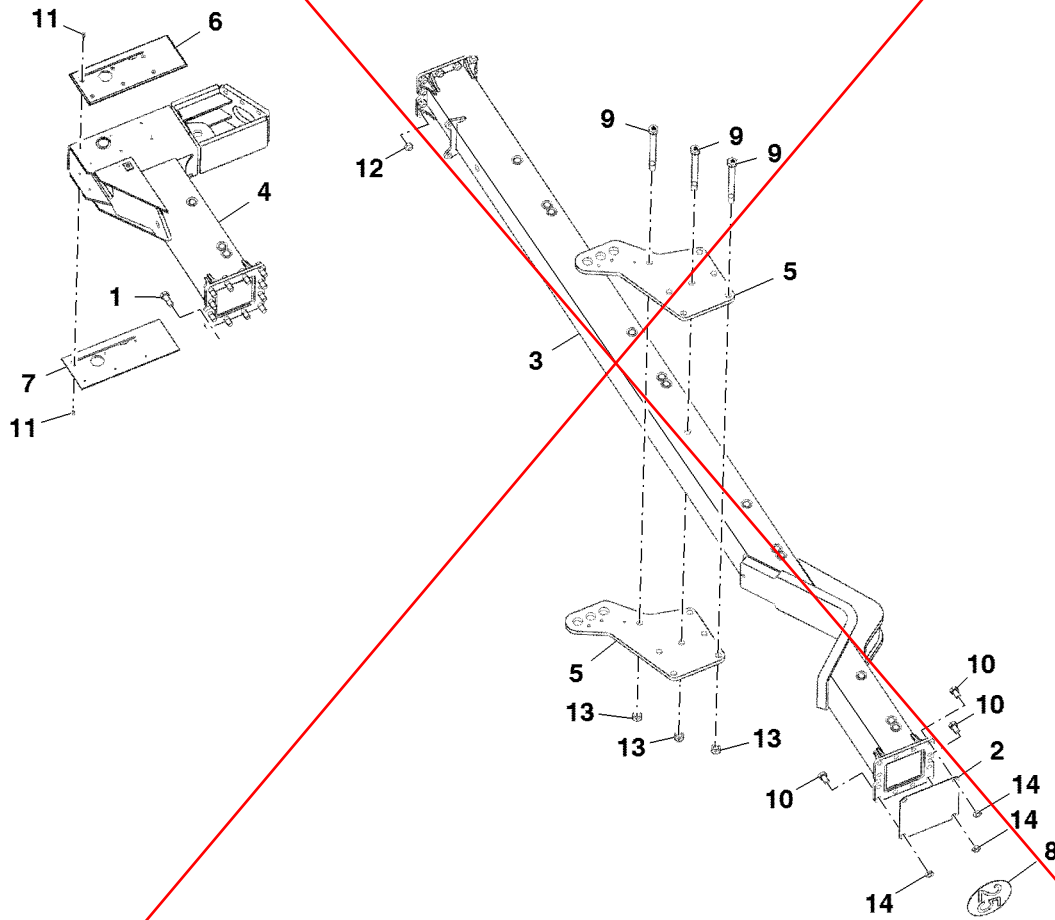
| Picture | Qty / Количество | Reference / N° по каталогу | Designation / Наименование   |
|---------|------------------|----------------------------|--|
|         | meter            | 5GB1116581                 | Plastic flat spring Dia 15mm<br>Рессора плоская пластмассовая Dia15mm      |
|         | meter            | 5GB1116582                 | Plastic flat spring Dia 20mm<br>Рессора плоская пластмассовая Dia20mm      |
|         | meter            | 5GB1116580                 | Plastic flat spring Dia 13mm<br>Рессора плоская пластмассовая Dia13mm      |
|         | meter            | 5GB1116546                 | Plastic flat spring Dia25-40mm<br>Рессора плоская пластмассовая Dia25-40mm |

30-Apr-13

Revision : B  
M a J : 18-Mar-15

Beam 5 - Furrow (1000) (Front + 4)  
Брус с 5 гатками (1000) (передний + 4)

PY57561 A.1



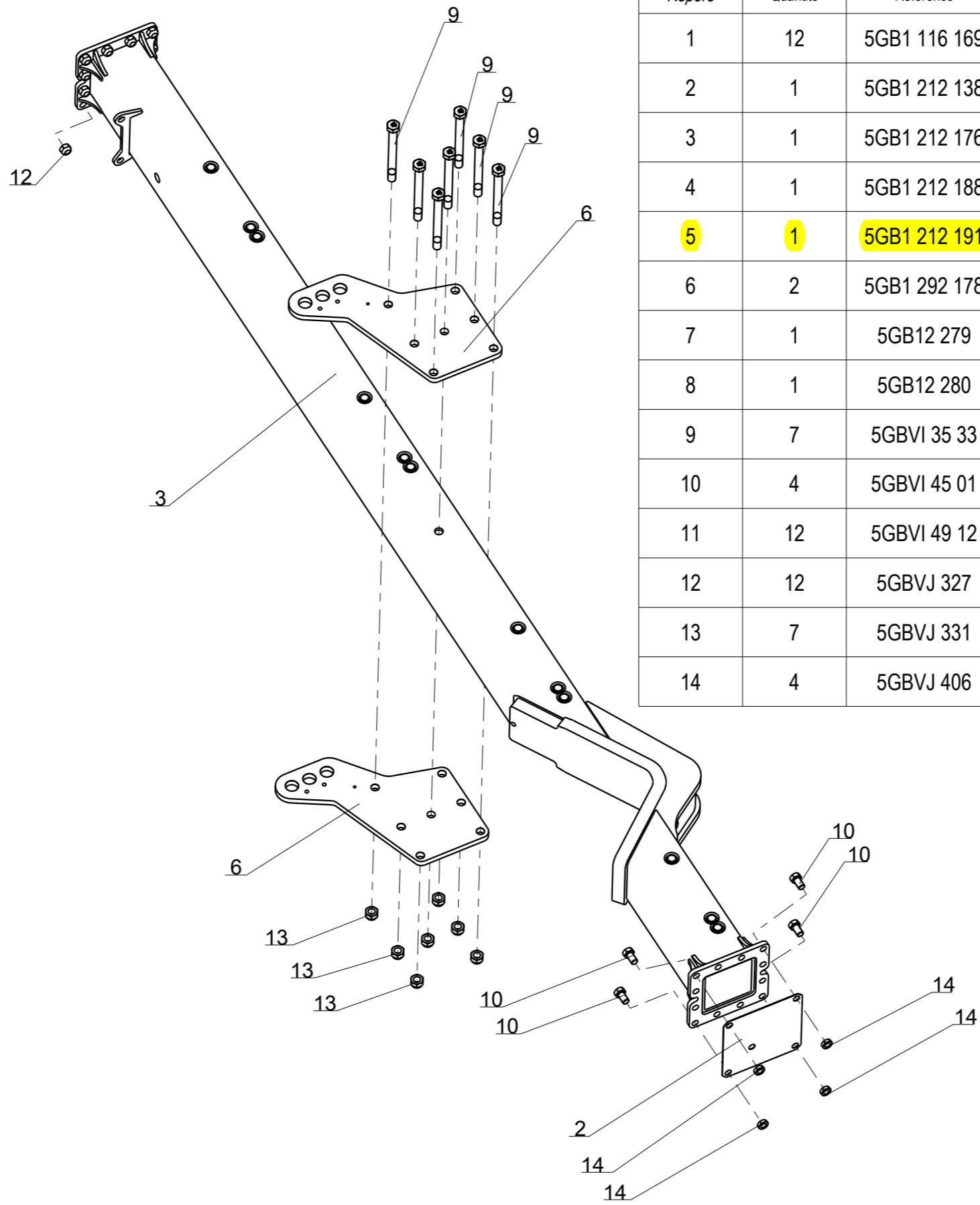
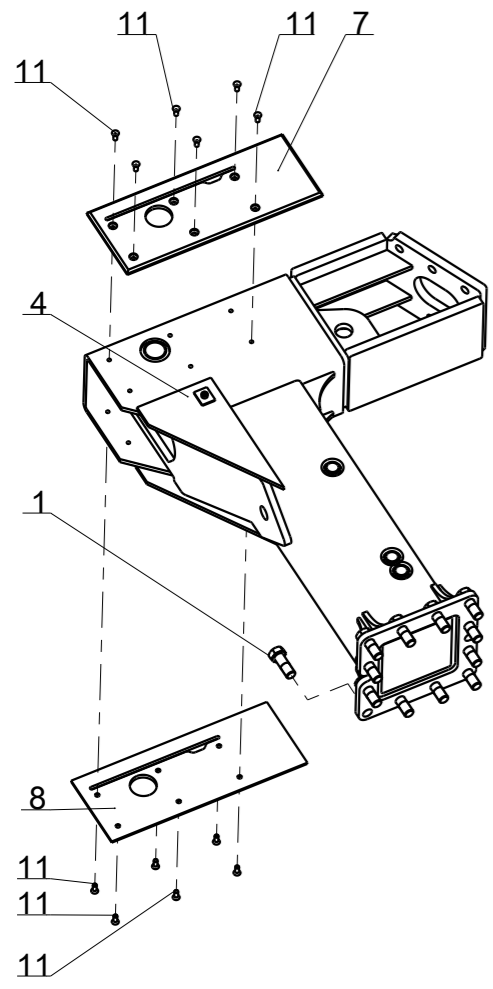
PY57561

| Key | Part No.   | Part Name | Qty. | Serial No. | Remarks   |
|-----|------------|-----------|------|------------|-----------|
| 1   | 5GB1116169 | Screw     | 12   |            | M20 X 55  |
| 2   | 5GB1212138 | Beam      | 1    |            |           |
| 3   | 5GB1212176 | Beam      | 1    |            |           |
| 4   | 5GB1212188 | Support   | 1    |            |           |
| 5   | 5GB1292178 | Beam      | 2    |            |           |
| 6   | 5GB12279   | Plate     | 1    |            | LH        |
| 7   | 5GB12280   | Plate     | 1    |            | RH        |
| 8   | 5GBU1141   | Label     | 1    |            |           |
| 9   | 5GBVI3533  | Screw     | 7    |            | M24 X 250 |
| 10  | 5GBVI4501  | Screw     | 4    |            | M20 X 35  |
| 11  | 5GBVI4912  | Screw     | 12   |            | M8 X 20   |
| 12  | 5GBVJ327   | Nut       | 12   |            | M20       |
| 13  | 5GBVJ331   | Nut       | 7    |            | M24       |
| 14  | 5GBVJ406   | Nut       | 4    |            | M20       |

PROOF



# Beam 5-furrow (1000) (Front+4)

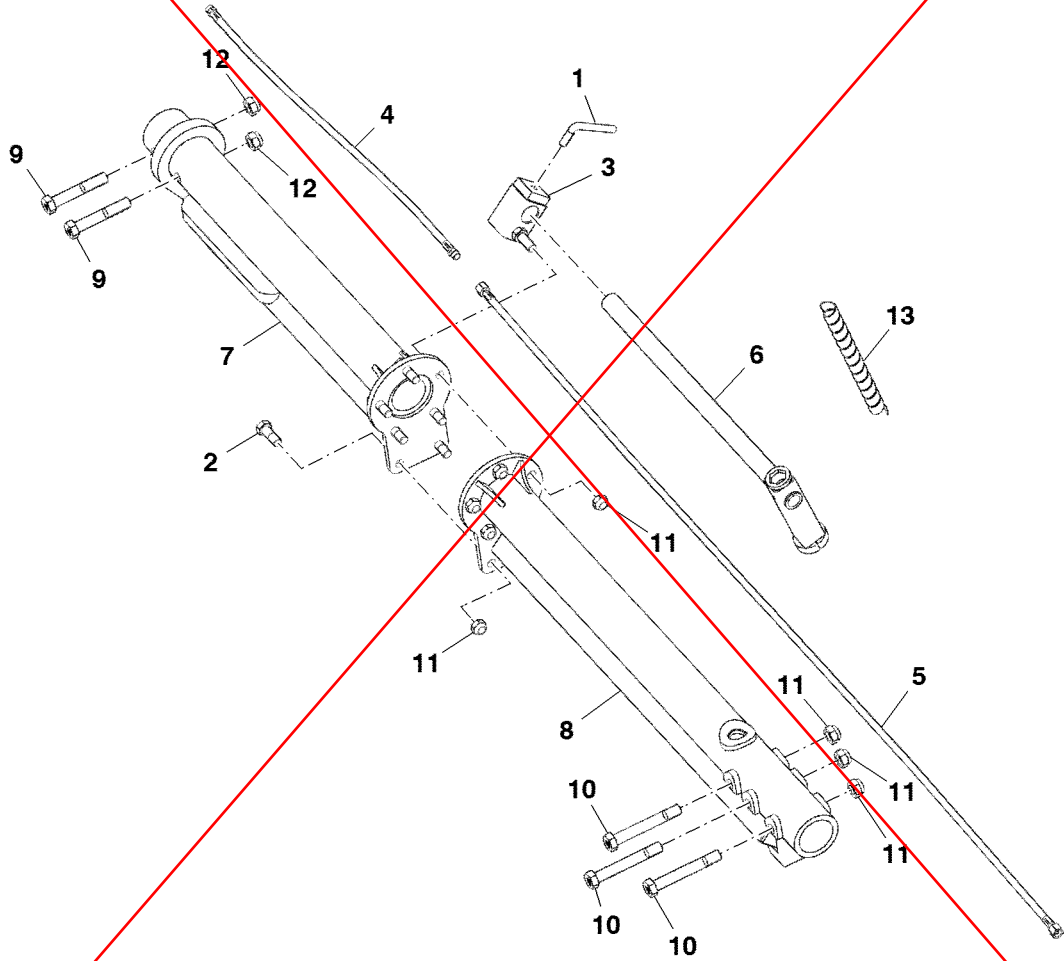


| Repere | Quantité | Reference    | Designation                                |
|--------|----------|--------------|--|
| 1      | 12       | 5GB1 116 169 | Screw H M2Ox55 - 10.9 ZNBL, thread /27 mm  |
| 2      | 1        | 5GB1 212 138 | Main beam closing plate                    |
| 3      | 1        | 5GB1 212 176 | Rear beam 4-furrow (1000)                  |
| 4      | 1        | 5GB1 212 188 | Front element / Beam                       |
| 5      | 1        | 5GB1 212 191 | Spacer of wedging (option)                 |
| 6      | 2        | 5GB1 292 178 | Beam plate                                 |
| 7      | 1        | 5GB12 279    | Slide protection plate L.H.                |
| 8      | 1        | 5GB12 280    | Slide protection plate R.H.                |
| 9      | 7        | 5GBVI 35 33  | Screw H M24x250 - 10.9 ZNBL, thread /36 mm |
| 10     | 4        | 5GBVI 45 01  | Screw H M2Ox 35 - 8.8 ZNBL                 |
| 11     | 12       | 5GBVI 49 12  | Screw FHC M8x 20 - 10.9 ZNBL               |
| 12     | 12       | 5GBVJ 327    | Nyloc nut std H M 20 - 8 ZNBL              |
| 13     | 7        | 5GBVJ 331    | Nyloc nut std H M 24 - 8 ZNBL              |
| 14     | 4        | 5GBVJ 406    | Nut Hm M2O - 8 ZNBL                        |

5GBRB 17 803

Stabilizer Bar 3446 mm (2), Beam 6 - Furrow (1000)  
Стабилизатор 3446 мм (2), брус с 6 катками (1000)

PY57562 A.1

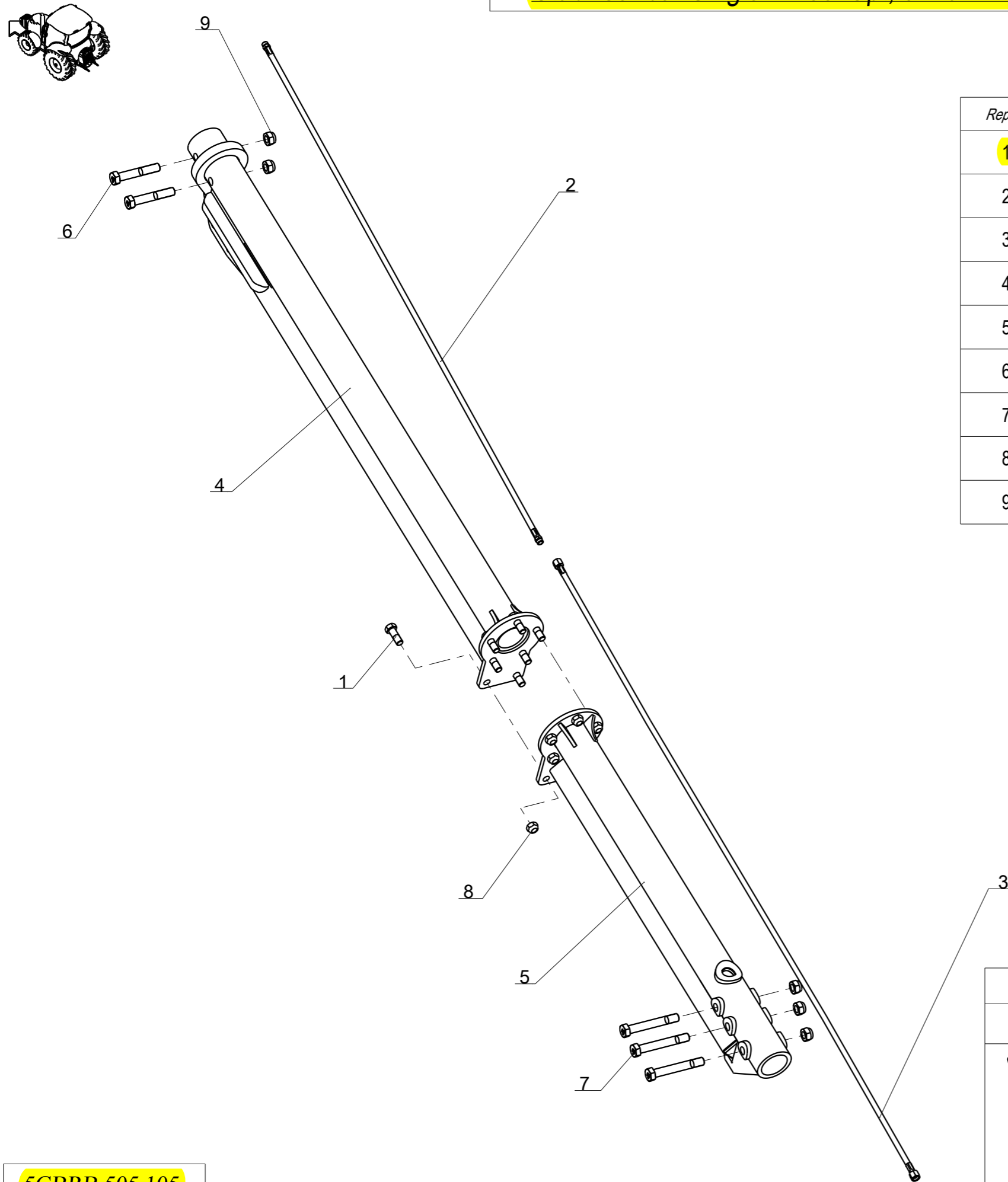


PY57562

| Key | Part No.   | Part Name  | Qty. | Serial No. | Remarks                    |
|-----|------------|------------|------|------------|----------------------------|
| 1   | 5GB1112424 | Leg        | 1    |            | M16                        |
| 2   | 5GB1116169 | Screw      | 6    |            | M20 X 55                   |
| 3   | 5GB1212113 | Wrench     | 1    |            | M20                        |
| 4   | 5GB1212127 | Hose       | 1    |            |                            |
| 5   | 5GB1212134 | Hose       | 1    |            |                            |
| 6   | 5GB1212166 | Toolbox    | 1    |            |                            |
| 7   | 5GB1212169 | Stabilizer | 1    |            |                            |
| 8   | 5GB1212171 | Stabilizer | 1    |            |                            |
| 9   | 5GBVI3508  | Screw      | 2    |            | M24 X 140                  |
| 10  | 5GBVI3515  | Screw      | 3    |            | M24 X 170                  |
| 11  | 5GBVJ327   | Nut        | 7    |            | M20                        |
| 12  | 5GBVJ331   | Nut        | 5    |            | M24                        |
| 13  | 5GB1116581 | Spring     | 1    |            | Hose Protector, 15 mm      |
|     | 5GB1116582 | Spring     | 1    |            | Hose Protector, 20 mm      |
|     | 5GB1116580 | Spring     | 1    |            | Hose Protector, 13 mm      |
|     | 5GB1116546 | Spring     | 1    |            | Hose Protector, 25 - 40 mm |

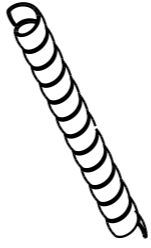
DRAFT OF PROOF

## Stabiliser bar Single Wheel Cpt, 3446mm (2) , Beam 6-Furrow (1000)



| Repere | Quantité | Reference    | Designation                                    |
|--------|----------|--------------|--|
| 1      | 7        | 5GB1 116 169 | Screw H M20x55 - 10.9 ZNBL, thread /27 mm      |
| 2      | 1        | 5GB1 212 127 | Hydraulic hose - 5/16", Lg. : 2040 mm, M12-M12 |
| 3      | 1        | 5GB1 212 134 | Hydraulic hose - 5/16", Lg. : 2840 mm, F12-F12 |
| 4      | 1        | 5GB1 212 169 | Stabilizer bar (front) Lg:2068mm               |
| 5      | 1        | 5GB1 212 171 | Stabilizer bar (rear) Compact Lg:1378mm        |
| 6      | 2        | 5GBVI 35 08  | Screw H M24x140 - 8.8 ZNBL                     |
| 7      | 3        | 5GBVI 35 15  | Screw H M24x170 - 10.9 ZNBL, thread /36 mm     |
| 8      | 7        | 5GBVJ 327    | Nyloc nut std H M 20 - 8 ZNBL                  |
| 9      | 5        | 5GBVJ 331    | Nyloc nut std H M 24 - 8 ZNBL                  |

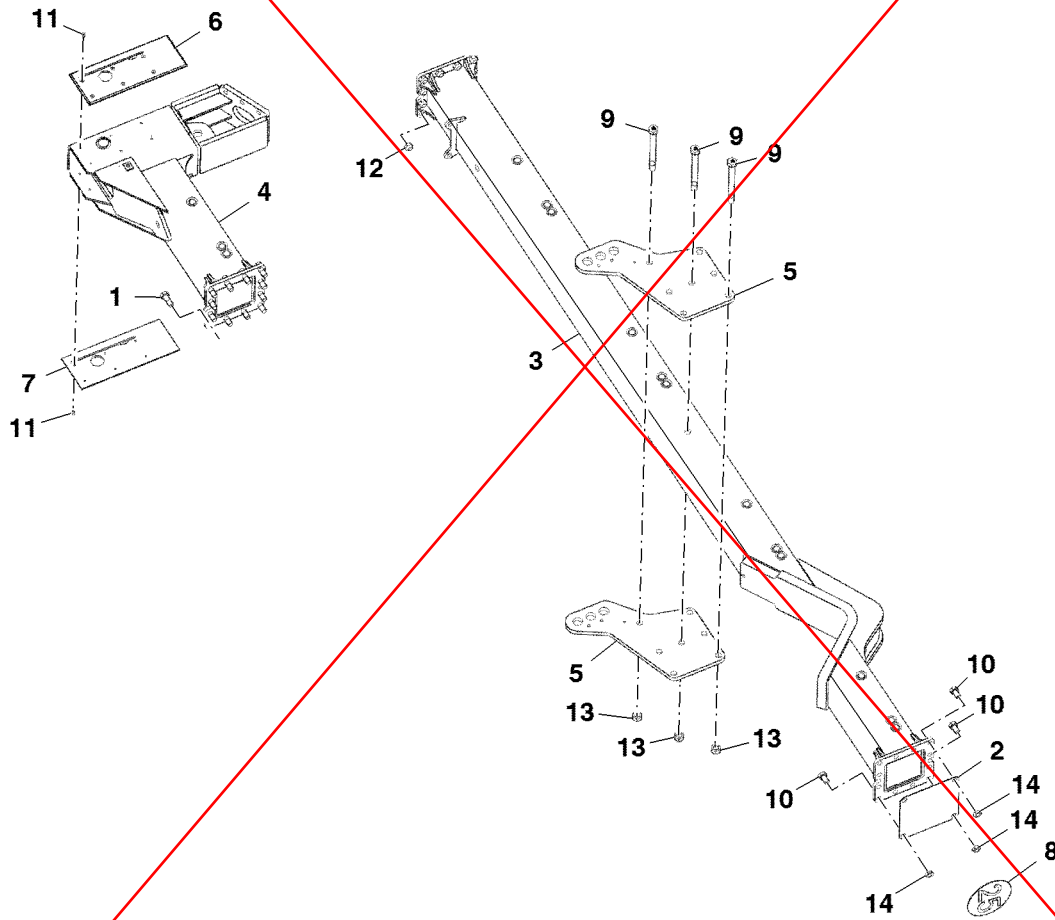
5GBRB 505 105

| <i>if need for hydraulic hose protection, order the desired length</i>                |                  |                            |  |
|---|------------------|----------------------------|--|
| Picture   | Qty / Количество | Reference / N° по каталогу | Designation / Наименование   |
|  | meter            | 5GB1116581                 | Plastic flat spring Dia 15mm<br>Рессора плоская пластмассовая Dia15mm      |
|   | meter            | 5GB1116582                 | Plastic flat spring Dia 20mm<br>Рессора плоская пластмассовая Dia20mm      |
|   | meter            | 5GB1116580                 | Plastic flat spring Dia 13mm<br>Рессора плоская пластмассовая Dia13mm      |
|   | meter            | 5GB1116546                 | Plastic flat spring Dia25-40mm<br>Рессора плоская пластмассовая Dia25-40mm |

30-Apr-13

Revision : B  
M a J :19-Mar-15

Вал 6 - Furrow (1000) (Front + 5)  
Брус с 6 катками (1000) (передний + 5)  
PY57563 A.1



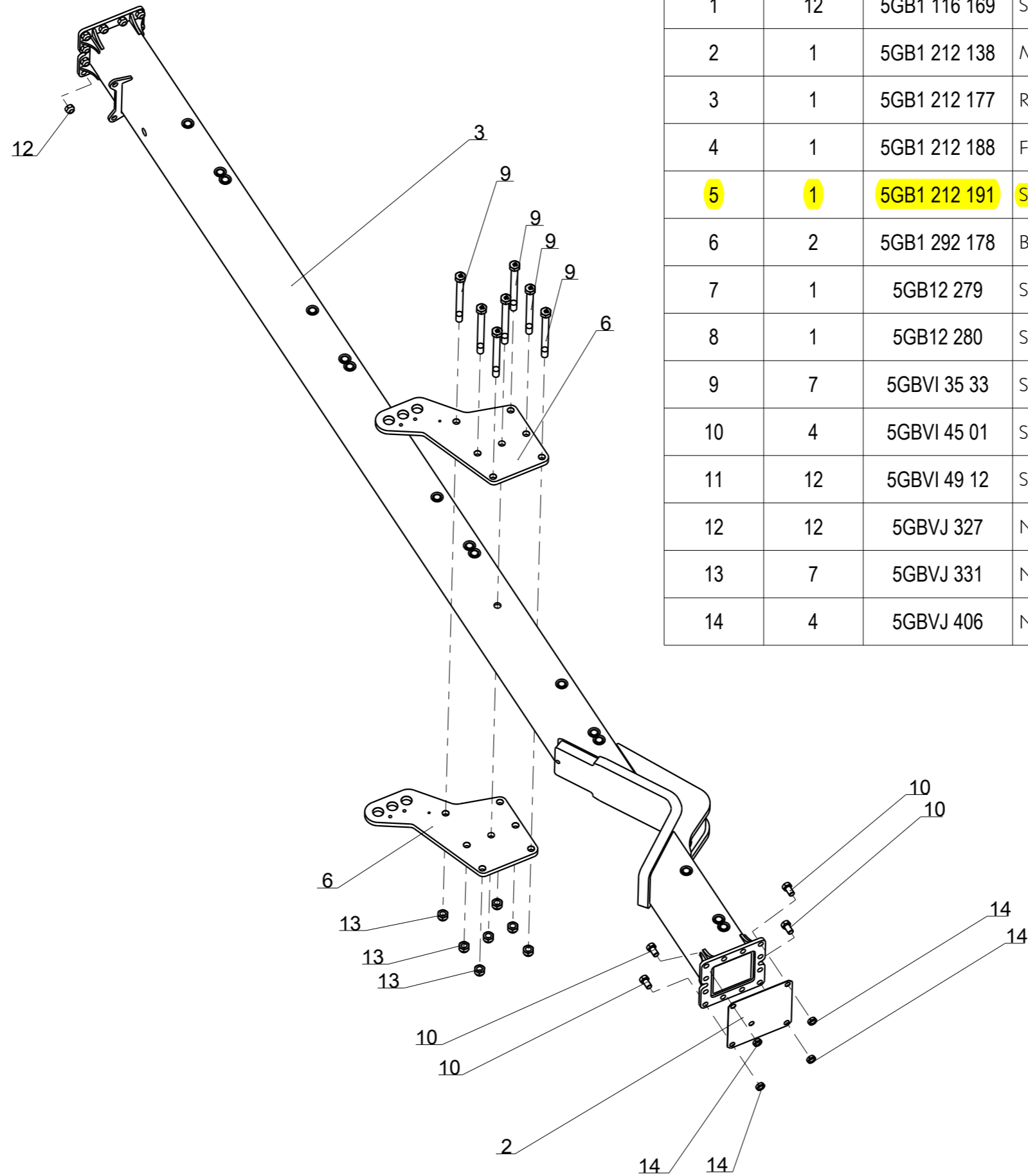
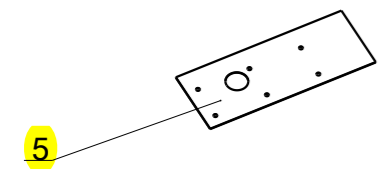
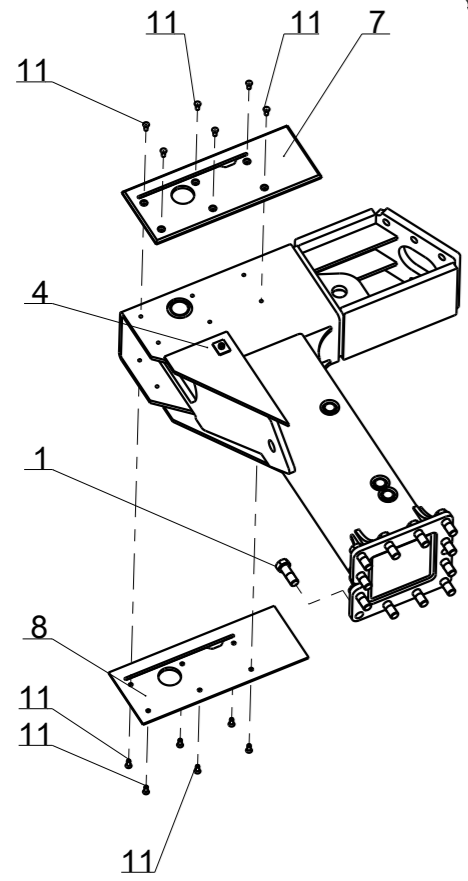
PY57563



| Key | Part No.   | Part Name | Qty. | Serial No. | Remarks   |
|-----|------------|-----------|------|------------|-----------|
| 1   | 5GB1116169 | Screw     | 12   |            | M20 X 55  |
| 2   | 5GB1212138 | Beam      | 1    |            |           |
| 3   | 5GB1212177 | Beam      | 1    |            |           |
| 4   | 5GB1212188 | Support   | 1    |            |           |
| 5   | 5GB1292178 | Beam      | 2    |            |           |
| 6   | 5GB12279   | Plate     | 1    |            | LH        |
| 7   | 5GB12280   | Plate     | 1    |            | RH        |
| 8   | 5GBU1141   | Label     | 1    |            |           |
| 9   | 5GBVI3533  | Screw     | 7    |            | M24 X 250 |
| 10  | 5GBVI4501  | Screw     | 4    |            | M20 X 35  |
| 11  | 5GBVI4912  | Screw     | 12   |            | M8 X 20   |
| 12  | 5GBVJ327   | Nut       | 12   |            | M20       |
| 13  | 5GBVJ331   | Nut       | 7    |            | M24       |
| 14  | 5GBVJ406   | Nut       | 4    |            | M20       |

PROOF

# Beam 6-furrow (1000) (Front+5)

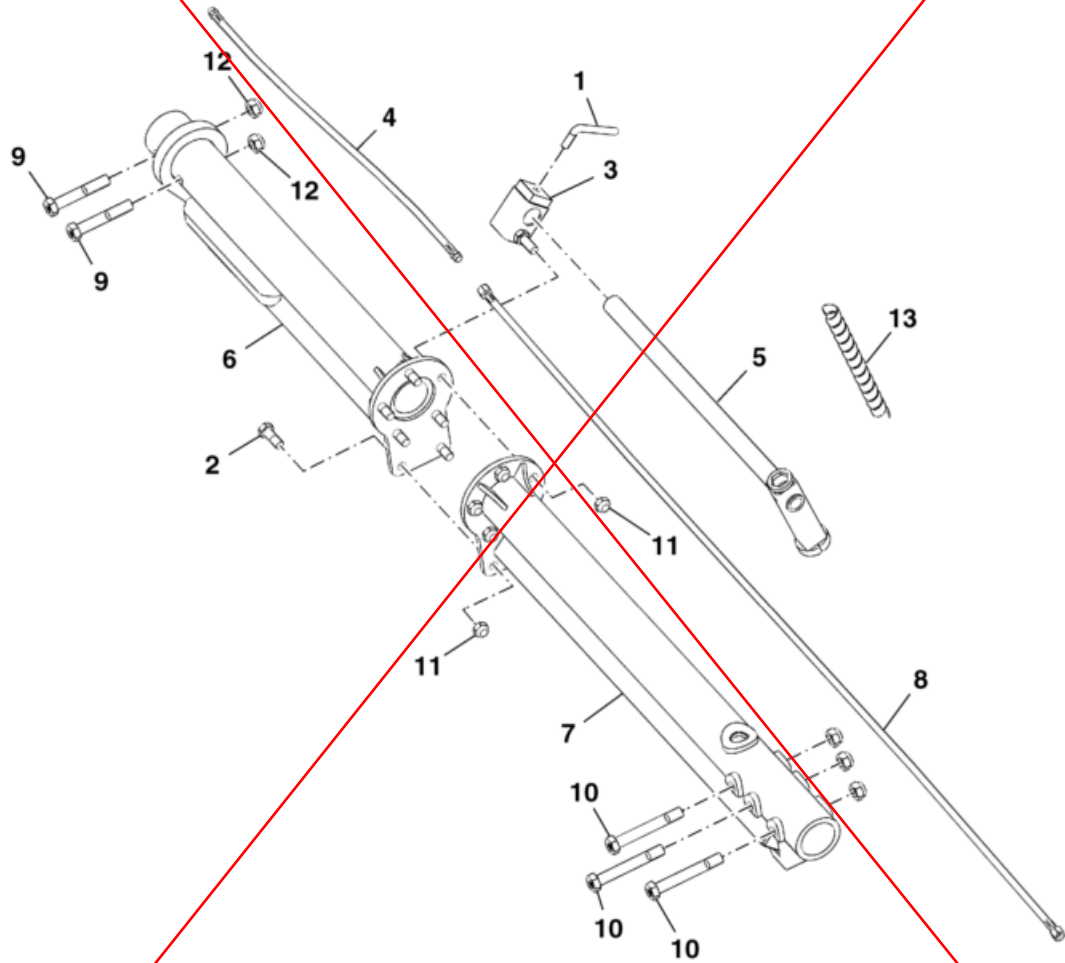


| Repere | Quantité | Reference    | Designation                                |
|--------|----------|--------------|--|
| 1      | 12       | 5GB1 116 169 | Screw H M20x55 - 10.9 ZNBL, thread /27 mm  |
| 2      | 1        | 5GB1 212 138 | Main beam closing plate                    |
| 3      | 1        | 5GB1 212 177 | Rear beam 5-furrow (1000)                  |
| 4      | 1        | 5GB1 212 188 | Front element / Beam                       |
| 5      | 1        | 5GB1 212 191 | Spacer of wedging (option)                 |
| 6      | 2        | 5GB1 292 178 | Beam plate                                 |
| 7      | 1        | 5GB12 279    | Slide protection plate L.H.                |
| 8      | 1        | 5GB12 280    | Slide protection plate R.H.                |
| 9      | 7        | 5GBVI 35 33  | Screw H M24x250 - 10.9 ZNBL, thread /36 mm |
| 10     | 4        | 5GBVI 45 01  | Screw H M20x 35 - 8.8 ZNBL                 |
| 11     | 12       | 5GBVI 49 12  | Screw FHC M8x 20 - 10.9 ZNBL               |
| 12     | 12       | 5GBVJ 327    | Nyloc nut std H M 20 - 8 ZNBL              |
| 13     | 7        | 5GBVJ 331    | Nyloc nut std H M 24 - 8 ZNBL              |
| 14     | 4        | 5GBVJ 406    | Nut Hm M20 - 8 ZNBL                        |

5GBRB 17 805

Stabilizer Bar 4446 mm (2), Beam 7 - Furrow (1000)  
Стабилизатор 4446 мм (2), брус с 7 катками (1000)

PY57564 A.1



PY57564

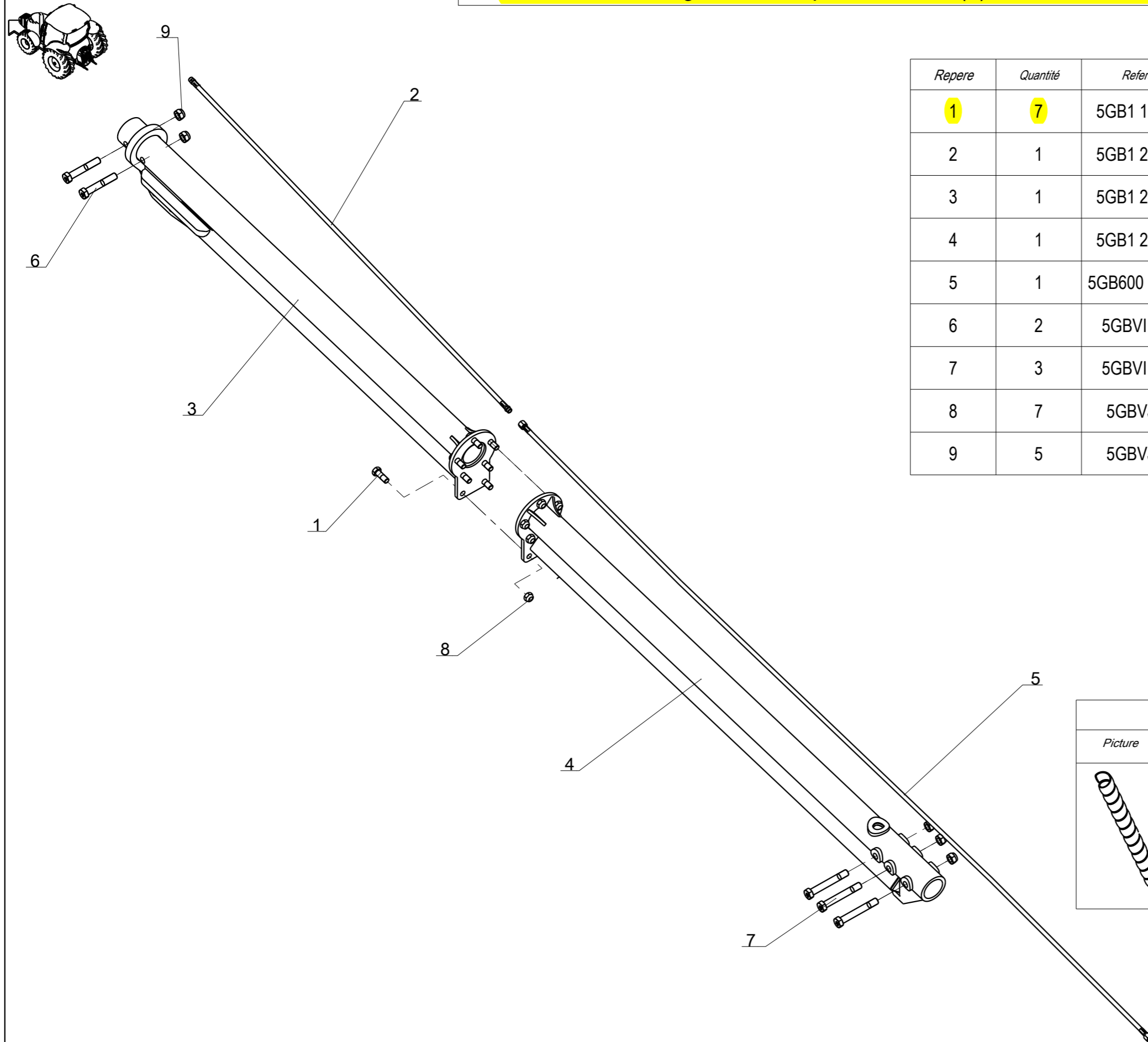




| Key | Part No.     | Part Name  | Qty. | Serial No. | Remarks                    |
|-----|--------------|------------|------|------------|----------------------------|
| 1   | 5GB1112424   | Leg        | 1    |            | M16                        |
| 2   | 5GB1116169   | Screw      | 6    |            | M20 X 55                   |
| 3   | 5GB1212113   | Wrench     | 1    |            | M20                        |
| 4   | 5GB1212127   | Hose       | 1    |            |                            |
| 5   | 5GB1212166   | Toolbox    | 1    |            |                            |
| 6   | 5GB1212169   | Stabilizer | 1    |            |                            |
| 7   | 5GB1212182   | Stabilizer | 1    |            |                            |
| 8   | 5GB600100008 | Hose       | 1    |            |                            |
| 9   | 5GBVI3508    | Screw      | 2    |            | M24 X 140                  |
| 10  | 5GBVI3515    | Screw      | 3    |            | M24 X 170                  |
| 11  | 5GBVJ327     | Nut        | 7    |            | M20                        |
| 12  | 5GBVJ331     | Nut        | 5    |            | M24                        |
| 13  | 5GB1116581   | Spring     | 1    |            | Hose Protector, 15 mm      |
|     | 5GB1116582   | Spring     | 1    |            | Hose Protector, 20 mm      |
|     | 5GB1116580   | Spring     | 1    |            | Hose Protector, 13 mm      |
|     | 5GB1116546   | Spring     | 1    |            | Hose Protector, 25 - 40 mm |

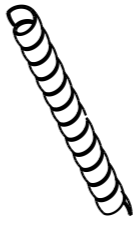
DRAFT OF P R O O F

## Stabilizer bar Single Wheel Cpte, 4446mm (2), Beam 7-furrow (1000)



| Repere | Quantité | Reference      | Designation                                    |
|--------|----------|----------------|--|
| 1      | 7        | 5GB1 116 169   | Screw H M20x55 - 10.9 ZNBL, thread /27 mm      |
| 2      | 1        | 5GB1 212 127   | Hydraulic hose - 5/16", Lg. : 2040 mm, M12-M12 |
| 3      | 1        | 5GB1 212 169   | Stabilizer bar (front) Lg:2068mm               |
| 4      | 1        | 5GB1 212 182   | Stabilizer bar (rear) Compact Lg:2378 mm       |
| 5      | 1        | 5GB600 100 008 | Hydraulic hose - 5/16", Lg. : 3900 mm, F12-F12 |
| 6      | 2        | 5GBVI 35 08    | Screw H M24x140 - 8.8 ZNBL                     |
| 7      | 3        | 5GBVI 35 15    | Screw H M24x170 - 10.9 ZNBL, thread /36 mm     |
| 8      | 7        | 5GBVJ 327      | Nyloc nut std H M 20 - 8 ZNBL                  |
| 9      | 5        | 5GBVJ 331      | Nyloc nut std H M 24 - 8 ZNBL                  |

*if need for hydraulic hose protection, order the desired length*

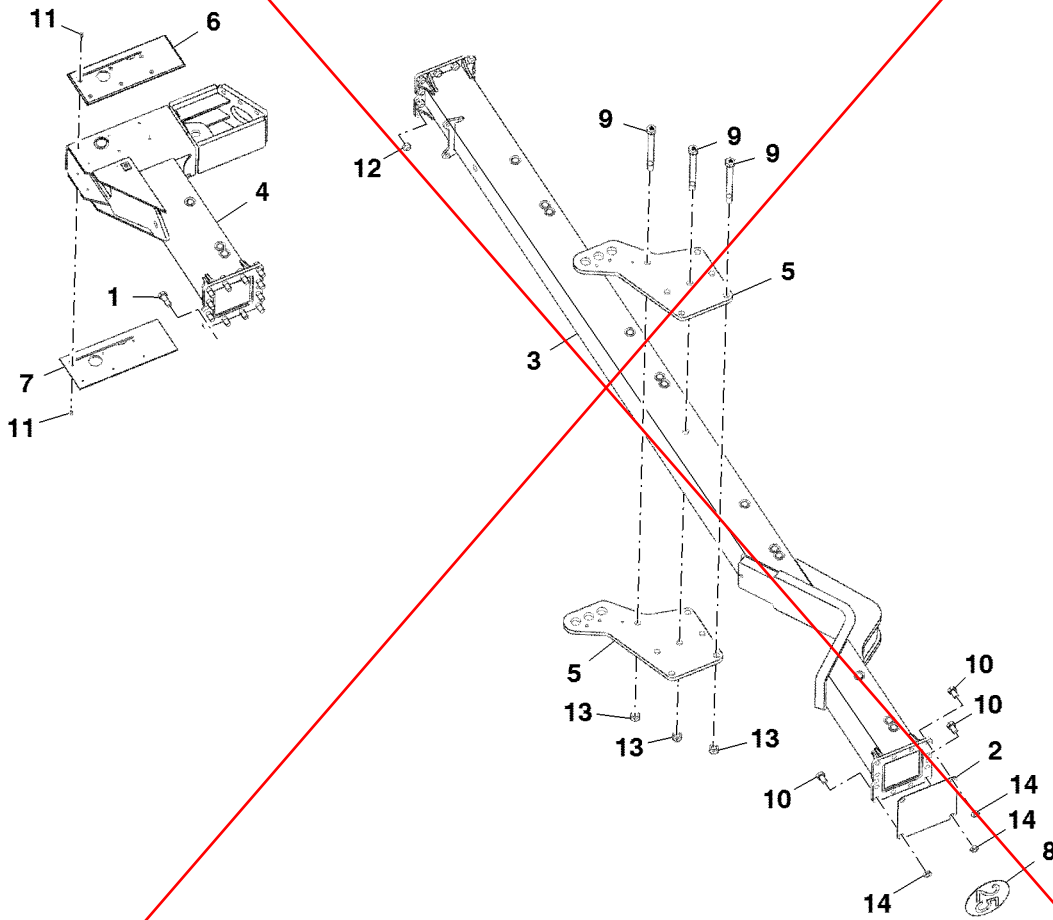
| Picture   | Qty / Количество | Reference / N° по каталогу | Designation / Наименование   |
|---|------------------|----------------------------|--|
|  | meter            | 5GB1116581                 | Plastic flat spring Dia 15mm<br>Рессора плоская пластмассовая Dia15mm      |
|   | meter            | 5GB1116582                 | Plastic flat spring Dia 20mm<br>Рессора плоская пластмассовая Dia20mm      |
|   | meter            | 5GB1116580                 | Plastic flat spring Dia 13mm<br>Рессора плоская пластмассовая Dia13mm      |
|   | meter            | 5GB1116546                 | Plastic flat spring Dia25-40mm<br>Рессора плоская пластмассовая Dia25-40mm |

5GBRB 505 106

30-Apr-13

Revision : B  
M a J :19-Mar-15

Beam 7 - Furrow (1000) (Front + 6)  
Брус с 7 катками (1000) (передний + 6)  
PY57565 A.1



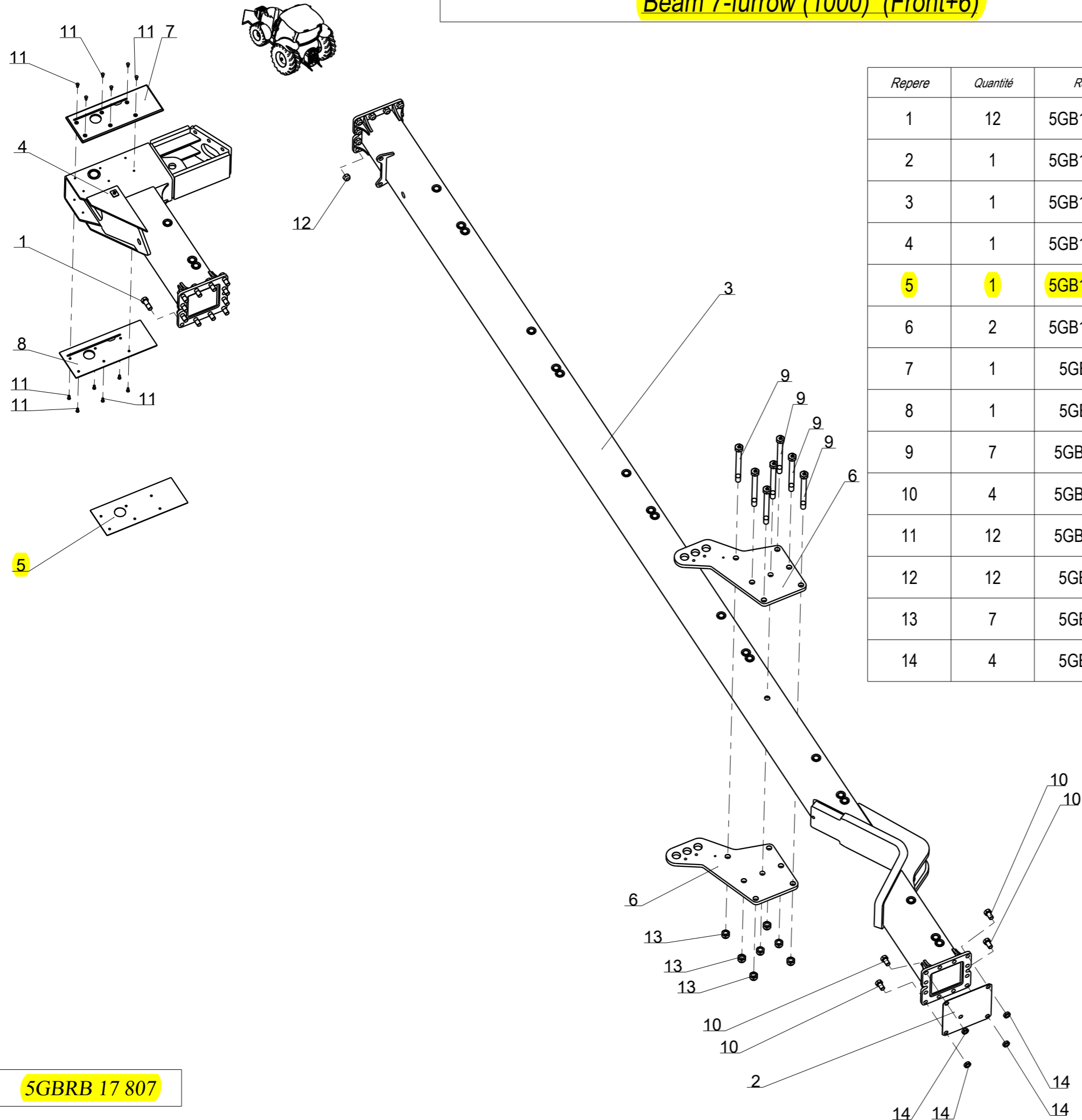
PY57565



| Key | Part No.   | Part Name | Qty. | Serial No. | Remarks   |
|-----|------------|-----------|------|------------|-----------|
| 1   | 5GB1116169 | Screw     | 12   |            | M20 X 55  |
| 2   | 5GB1212138 | Beam      | 1    |            |           |
| 3   | 5GB1212178 | Beam      | 1    |            |           |
| 4   | 5GB1212188 | Support   | 1    |            |           |
| 5   | 5GB1292178 | Beam      | 2    |            |           |
| 6   | 5GB12279   | Plate     | 1    |            | LH        |
| 7   | 5GB12280   | Plate     | 1    |            | RH        |
| 8   | 5GBU1141   | Label     | 1    |            |           |
| 9   | 5GBVI3533  | Screw     | 7    |            | M24 X 250 |
| 10  | 5GBVI4501  | Screw     | 4    |            | M20 X 35  |
| 11  | 5GBVI4912  | Screw     | 12   |            | M8 X 20   |
| 12  | 5GBVJ327   | Nut       | 12   |            | M20       |
| 13  | 5GBVJ331   | Nut       | 7    |            | M24       |
| 14  | 5GBVJ406   | Nut       | 4    |            | M20       |

P  
R  
O  
O  
F  
  
P  
R  
O  
O  
F

# Beam 7-furrow (1000) (Front+6)



| Repere | Quantité | Reference    | Designation                                |
|--------|----------|--------------|--|
| 1      | 12       | 5GB1 116 169 | Screw H M2Ox55 - 10.9 ZNBL, thread /27 mm  |
| 2      | 1        | 5GB1 212 138 | Main beam closing plate                    |
| 3      | 1        | 5GB1 212 178 | Rear beam 6-furrow (1000)                  |
| 4      | 1        | 5GB1 212 188 | Front element / Beam                       |
| 5      | 1        | 5GB1 212 191 | Spacer of wedging (option)                 |
| 6      | 2        | 5GB1 292 178 | Beam plate                                 |
| 7      | 1        | 5GB12 279    | Slide protection plate L.H.                |
| 8      | 1        | 5GB12 280    | Slide protection plate R.H.                |
| 9      | 7        | 5GBVI 35 33  | Screw H M24x250 - 10.9 ZNBL, thread /36 mm |
| 10     | 4        | 5GBVI 45 01  | Screw H M2Ox 35 - 8.8 ZNBL                 |
| 11     | 12       | 5GBVI 49 12  | Screw FHC M8x 20 - 10.9 ZNBL               |
| 12     | 12       | 5GBVJ 327    | Nyloc nut std H M 20 - 8 ZNBL              |
| 13     | 7        | 5GBVJ 331    | Nyloc nut std H M 24 - 8 ZNBL              |
| 14     | 4        | 5GBVJ 406    | Nut Hm M2O - 8 ZNBL                        |

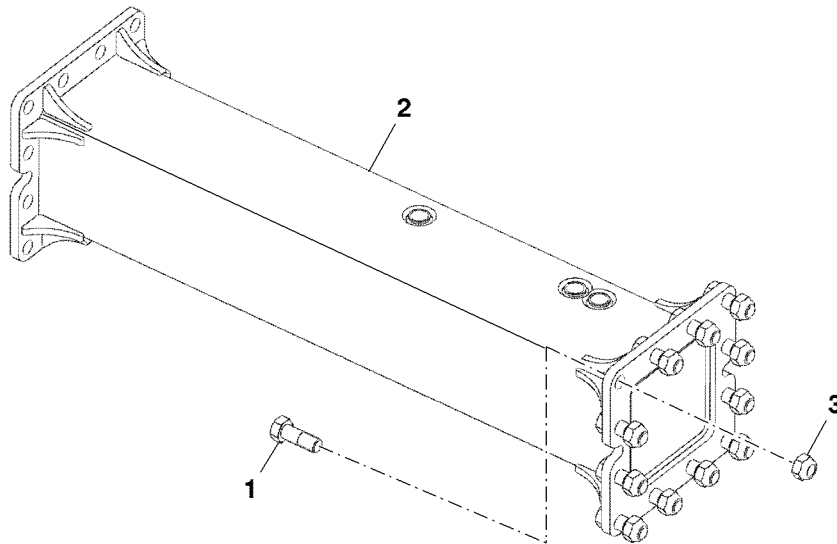
5GBRB 17 807

23-May-13

Revision : B  
M a J :

Front / Rear Extension 100 5 - Angles, in-furrow Plow  
 Передний/задний удлинитель 100 5 — углы, пflug для работы в борозде

PY57566 A.1



## PY57566

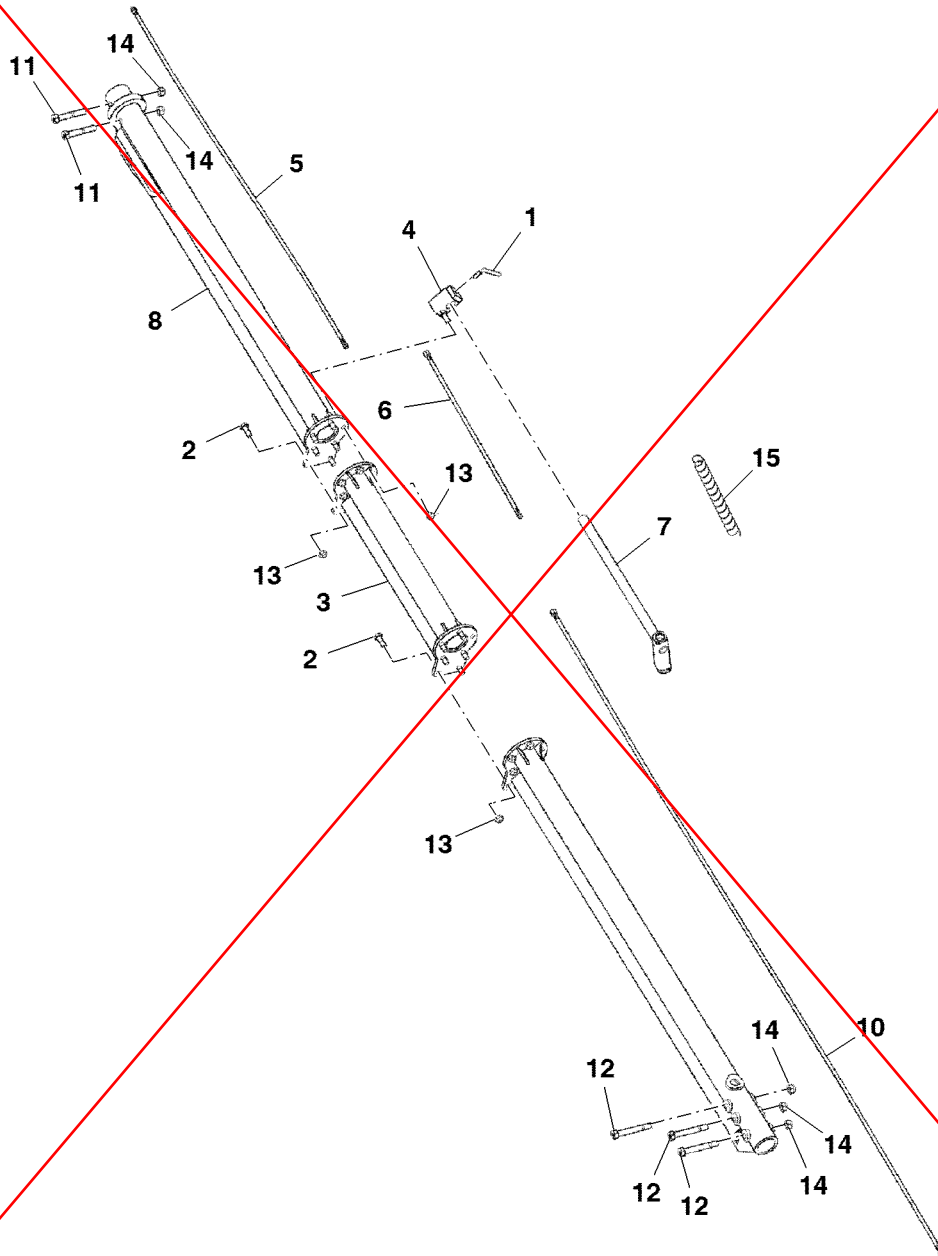
| Key | Part No.   | Part Name | Qty. | Serial No. | Remarks  |
|-----|------------|-----------|------|------------|----------|
| 1   | 5GB1116169 | Screw     | 12   |            | M20 X 55 |
| 2   | 5GB1212160 | Beam      | 1    |            |          |
| 3   | 5GBVJ327   | Nut       | 1    |            | M20      |

P  
R  
O  
O  
F

P  
R  
O  
O  
F  
  
P  
R  
O  
O  
F

Stabilizer Bar 5446 mm (3), Beam 8 - Furrow (1000)  
Стабилизатор 5446 мм (3), брус с 8 катками (1000)

PY57567 A.1



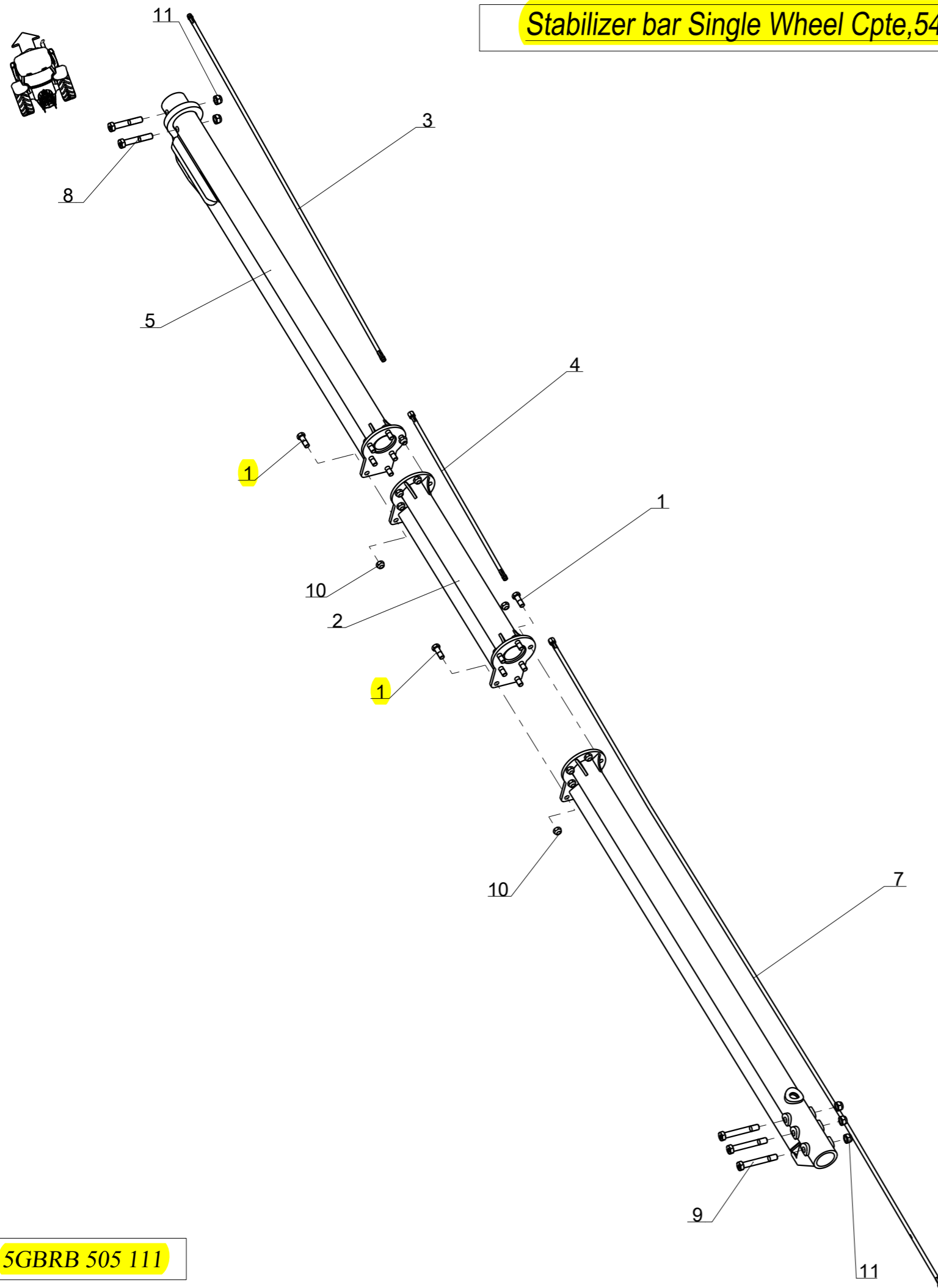
PY57567



| Key | Part No.     | Part Name  | Qty. | Serial No. | Remarks                       |
|-----|--------------|------------|------|------------|-------------------------------|
| 1   | 5GB1112424   | Leg        | 1    |            | M16                           |
| 2   | 5GB1116169   | Screw      | 13   |            | M20 X 55                      |
| 3   | 5GB1212104   | Tube       | 1    |            |                               |
| 4   | 5GB1212113   | Wrench     | 1    |            |                               |
| 5   | 5GB1212127   | Hose       | 1    |            |                               |
| 6   | 5GB1212129   | Hose       | 1    |            |                               |
| 7   | 5GB1212166   | Toolbox    | 1    |            |                               |
| 8   | 5GB1212169   | Stabilizer | 1    |            |                               |
| 9   | 5GB1212182   | Stabilizer | 1    |            |                               |
| 10  | 5GB600100008 | Hose       | 1    |            |                               |
| 11  | 5GBVI3508    | Screw      | 2    |            | M24 X 140                     |
| 12  | 5GBVI3515    | Screw      | 3    |            | M24 X 170                     |
| 13  | 5GBVJ327     | Nut        | 14   |            | M20                           |
| 14  | 5GBVJ331     | Nut        | 5    |            | M24                           |
| 15  | 5GB1116581   | Spring     | 1    |            | Hose Protector, OD 15 mm      |
|     | 5GB1116562   | Spring     | 1    |            | Hose Protector, OD 20 mm      |
|     | 5GB1116580   | Spring     | 1    |            | Hose Protector, OD 13 mm      |
|     | 5GB1116546   | Spring     | 1    |            | Hose Protector, OD 25 - 40 mm |

D  
R  
O  
F  
P  
R  
O  
O  
F

## Stabilizer bar Single Wheel Cpte,5446mm (3), Beam 8-furrow (1000)



| Repere | Quantité | Reference      | Designation                                    |
|--------|----------|----------------|--|
| 1      | 14       | 5GB1 116 169   | Screw H M20x55 - 10.9 ZNBL, thread /27 mm      |
| 2      | 1        | 5GB1 212 104   | Central stabilization tube - Lg. : 1000 mm     |
| 3      | 1        | 5GB1 212 127   | Hydraulic hose - 5/16", Lg. : 2040 mm, M12-M12 |
| 4      | 1        | 5GB1 212 129   | Hydraulic hose - 5/16", Lg:1000, F12-M12       |
| 5      | 1        | 5GB1 212 169   | Stabilizer bar (front) Lg:2068mm               |
| 6      | 1        | 5GB1 212 182   | Stabilizer bar (rear) Compact Lg:2378 mm       |
| 7      | 1        | 5GB600 100 008 | Hydraulic hose - 5/16", Lg. : 3900 mm, F12-F12 |
| 8      | 2        | 5GBVI 35 08    | Screw H M24x140 - 8.8 ZNBL                     |
| 9      | 3        | 5GBVI 35 15    | Screw H M24x170 - 10.9 ZNBL, thread /36 mm     |
| 10     | 14       | 5GBVJ 327      | Nyloc nut std H M 20 - 8 ZNBL                  |
| 11     | 5        | 5GBVJ 331      | Nyloc nut std H M 24 - 8 ZNBL                  |

*if need for hydraulic hose protection, order the desired length*

| Picture | Qty / Количество | Reference / N° по каталогу | Designation / Наименование   |
|---------|------------------|----------------------------|--|
|         | meter            | 5GB1116581                 | Plastic flat spring Dia 15mm<br>Рессора плоская пластмассовая Dia15mm      |
|         | meter            | 5GB1116582                 | Plastic flat spring Dia 20mm<br>Рессора плоская пластмассовая Dia20mm      |
|         | meter            | 5GB1116580                 | Plastic flat spring Dia 13mm<br>Рессора плоская пластмассовая Dia13mm      |
|         | meter            | 5GB1116546                 | Plastic flat spring Dia25-40mm<br>Рессора плоская пластмассовая Dia25-40mm |

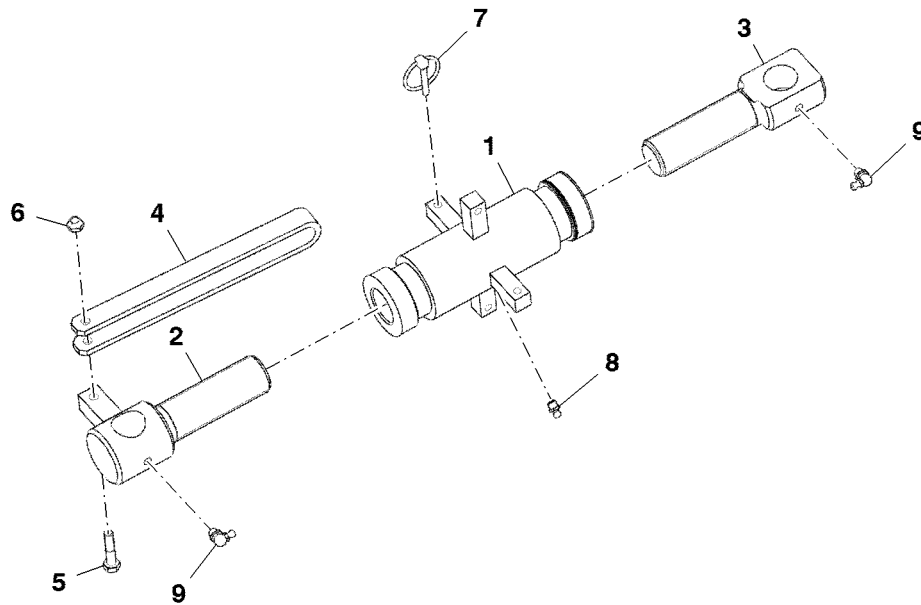
**5GBRB 505 111**

07-May-13

Revision : B  
M a J :19-Mar-15

**Mechanical Wheel Alignment**  
**Механическая регулировка схождения колес**

PY57568 A.1



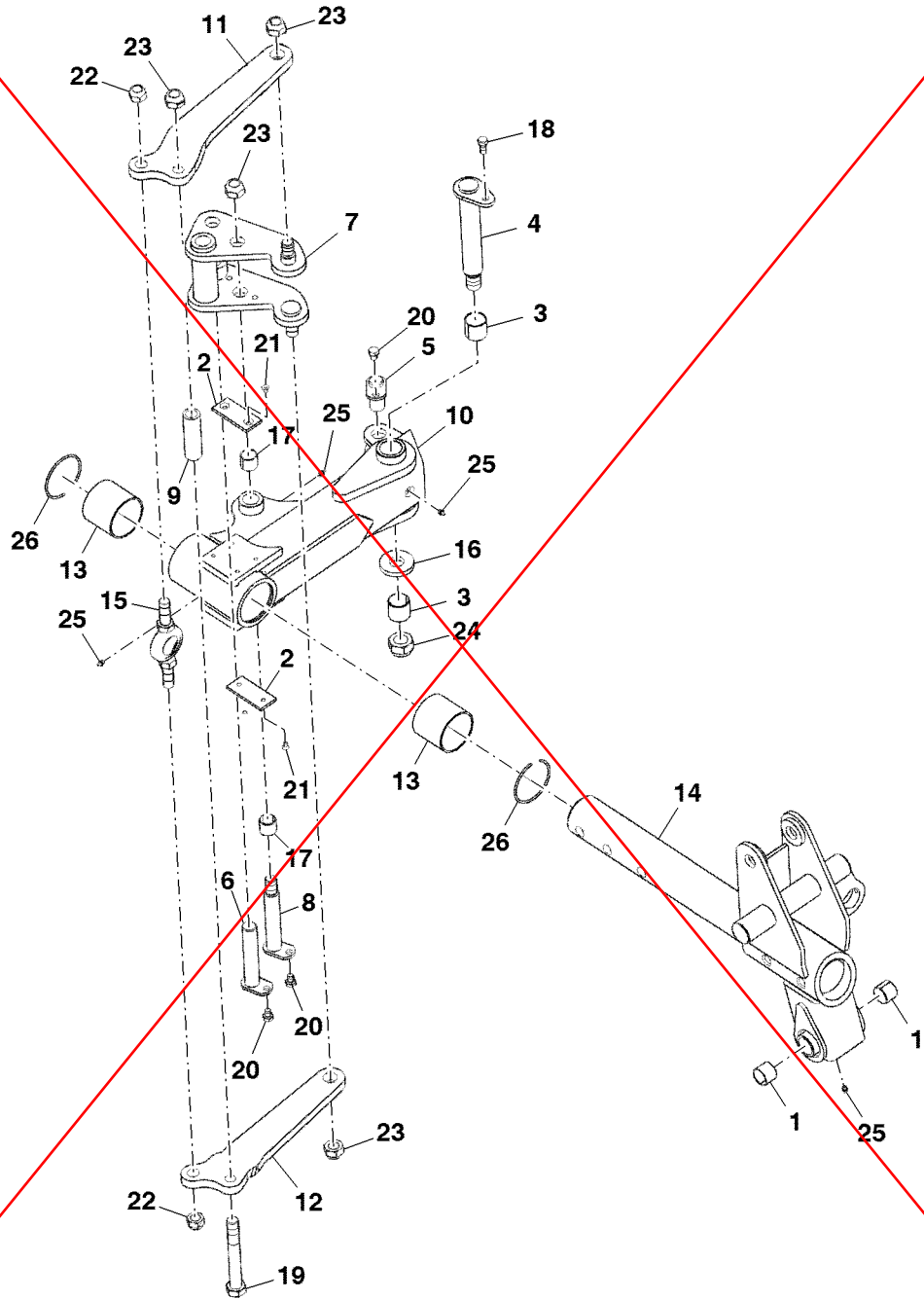
PY57568

| Key | Part No.   | Part Name | Qty. | Serial No. | Remarks  |
|-----|------------|-----------|------|------------|----------|
| 1   | 5GB1292105 | Barrel    | 1    |            |          |
| 2   | 5GB1292106 | End       | 1    |            | RH, M36  |
| 3   | 5GB1292107 | End       | 1    |            | LH, M36  |
| 4   | 5GB1292108 | Handle    | 1    |            |          |
| 5   | 5GBVI2708  | Screw     | 1    |            | M8 X 40  |
| 6   | 5GBVJ320   | Nut       | 1    |            | M8       |
| 7   | 5GBVL101   | Pin       | 1    |            |          |
| 8   | 5GBVM201   | Grease    | 1    |            | M8       |
| 9   | 5GBVM203   | Grease    | 2    |            | M8 X 125 |

P  
R  
O  
O  
F

P  
R  
O  
O  
F  
P  
R  
O  
O  
F

Wheel 16.0 / 70 - 20 TL AS 504 8 Studs, Yellow Rim (1/5)  
Колесо 16.0/70 — 20 TL AS 504 8 шпилек, желтый обод (1/5)  
PY57569 A.1

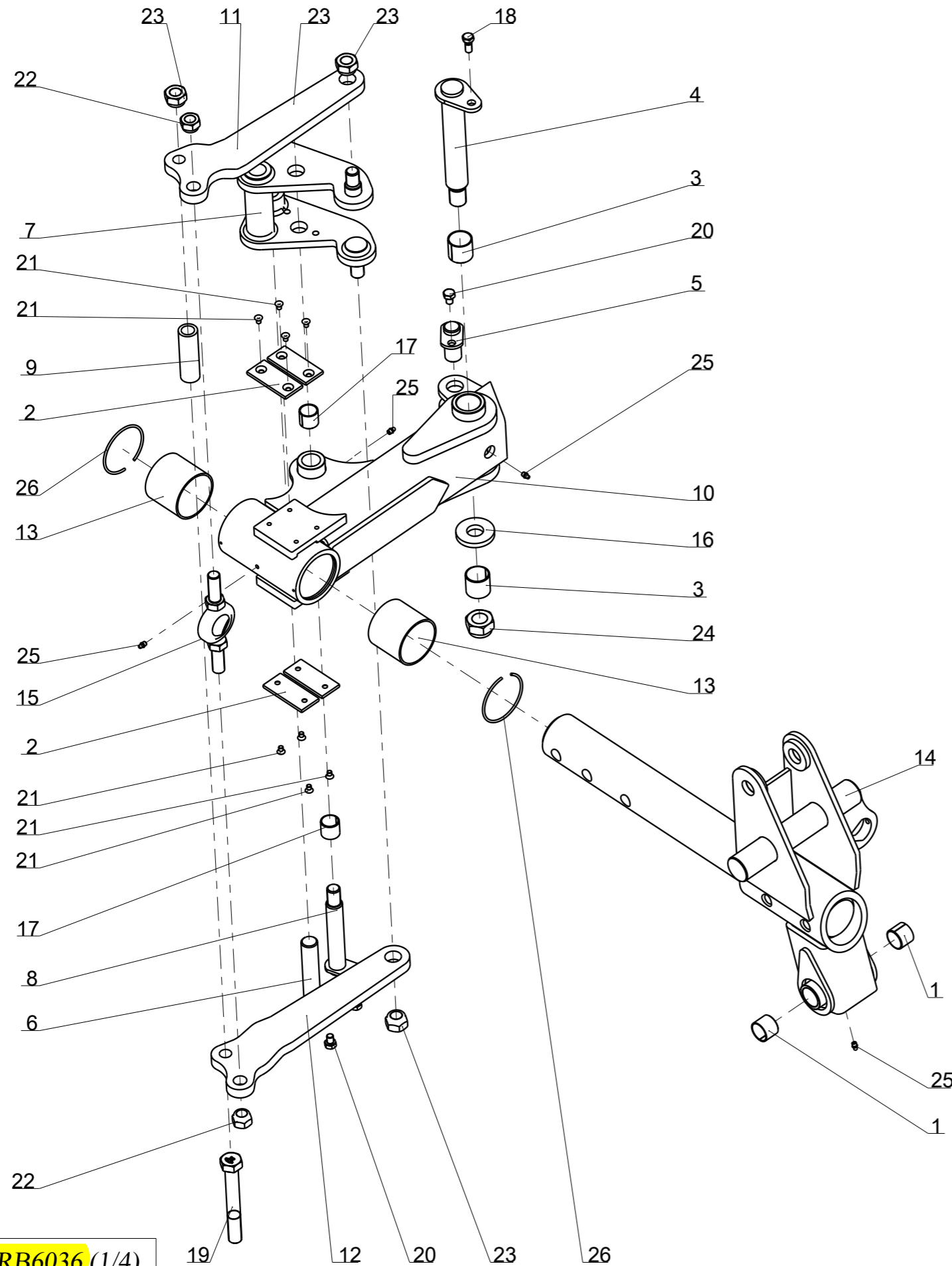


PY57569

| Key | Part No.    | Part Name | Qty. | Serial No. | Remarks   |
|-----|-------------|-----------|------|------------|-----------|
| 1   | 5GB1118817  | Steel     | 2    |            |           |
| 2   | 5GB1118977U | Plate     | 4    |            |           |
| 3   | 5GB1231103  | Steel     | 2    |            |           |
| 4   | 5GB1292103  | Bearing   | 1    |            |           |
| 5   | 5GB1292109  | Pin       | 1    |            |           |
| 6   | 5GB1292110  | Pin       | 1    |            |           |
| 7   | 5GB1292111  | Pivot     | 1    |            |           |
| 8   | 5GB1292112  | Pivot     | 1    |            |           |
| 9   | 5GB1292114  | Spacer    | 1    |            |           |
| 10  | 5GB1292224  | Bearing   | 1    |            |           |
| 11  | 5GB1292225  | Rod       | 1    |            |           |
| 12  | 5GB1292226  | Rod       | 1    |            |           |
| 13  | 5GB1292228  | Bushing   | 2    |            |           |
| 14  | 5GB12362    | Wheel     | 1    |            |           |
| 15  | 5GB12705    | Axle      | 1    |            |           |
| 16  | 5GB122106   | Washer    | 1    |            |           |
| 17  | 5GB198231   | Steel     | 2    |            |           |
| 18  | 5GBVI2433   | Screw     | 1    |            | M12 X 22  |
| 19  | 5GBVI3516   | Screw     | 1    |            | M24 X 180 |
| 20  | 5GBVI4101   | Screw     | 3    |            | M12 X 16  |
| 21  | 5GBVI4902   | Screw     | 8    |            | M8 X 12   |
| 22  | 5GBVJ329    | Nut       | 2    |            | M22       |
| 23  | 5GBVJ331    | Nut       | 4    |            | M24       |
| 24  | 5GBVJ335    | Nut       | 1    |            | M30       |
| 25  | 5GBVM201    | Grease    | 4    |            | M8        |
| 26  | 5GBVM303    | Stop      | 2    |            |           |

P  
R  
O  
O  
F

# Wheel 16.0/70-20 8 studs, Yellow Rim



| Repere | Quantité | Reference      | Designation  |
|--------|----------|----------------|--|
| 1      | 2        | 5GB1 118 817   | Bush steel Dia 35x39 Lg=30                                   |
| 2      | 4        | 5GB1 118 977 U | Plastic plate - 6x44x100                                     |
| 3      | 2        | 5GB1 231 103   | Bush steel Dia 40x44 Lg=40                                   |
| 4      | 1        | 5GB1 292 103   | Rear bearing articulation pin - Dia 40, lg. : 280 mm         |
| 5      | 1        | 5GB1 292 109   | Outer pin for wheel angle adjuster - Dia 30, lg. :75 mm      |
| 6      | 1        | 5GB1 292 110   | Inner pin for wheel angle adjuster - Dia 30, lg. : 170 mm    |
| 7      | 1        | 5GB1 292 111   | Direction pivot link   |
| 8      | 1        | 5GB1 292 112   | Direction pivot link pin - Dia 30, lg. : 200 mm, thread 3.00 |
| 9      | 1        | 5GB1 292 114   | Spacer for steering connecting rod                           |
| 10     | 1        | 5GB1 292 224   | Rear bearing   |
| 11     | 1        | 5GB1 292 225   | Steering rod / wheel L.H.                                    |
| 12     | 1        | 5GB1 292 226   | Steering rod / wheel R.H.                                    |
| 13     | 2        | 5GB1 292 228   | Plastic bush (rear bearing)                                  |
| 14     | 1        | 5GB12 362      | Fixed wheel bracket  |
| 15     | 1        | 5GB12 705      | Axle swivel  |
| 16     | 1        | 5GB122 106     | Special washer - 30.5x70x10                                  |
| 17     | 2        | 5GB198 231     | Bush steel Dia 30x34 Lg=30                                   |
| 18     | 1        | 5GBVI 24 33    | Screw H conical M12x22 lg. : 36                              |
| 19     | 1        | 5GBVI 35 16    | Screw H M24x180 - 8.8 ZNBL                                   |
| 20     | 3        | 5GBVI 41 01    | Screw H M12x 16 - 8.8 ZNBL                                   |
| 21     | 8        | 5GBVI 49 02    | Screw FHC M8x 12 - 10.9 Black                                |
| 22     | 2        | 5GBVJ 329      | Nyloc nut std H M 22- 8 ZNBL                                 |
| 23     | 4        | 5GBVJ 331      | Nyloc nut std H M 24 - 8 ZNBL                                |
| 24     | 1        | 5GBVJ 335      | Nyloc nut std H M 30 - 8 ZNBL - thread 200                   |
| 25     | 4        | 5GBVM 201      | Grease nipple - M8, thread125                                |
| 26     | 2        | 5GBVM 303      | Stop washer for bore Dia 93 mm                               |

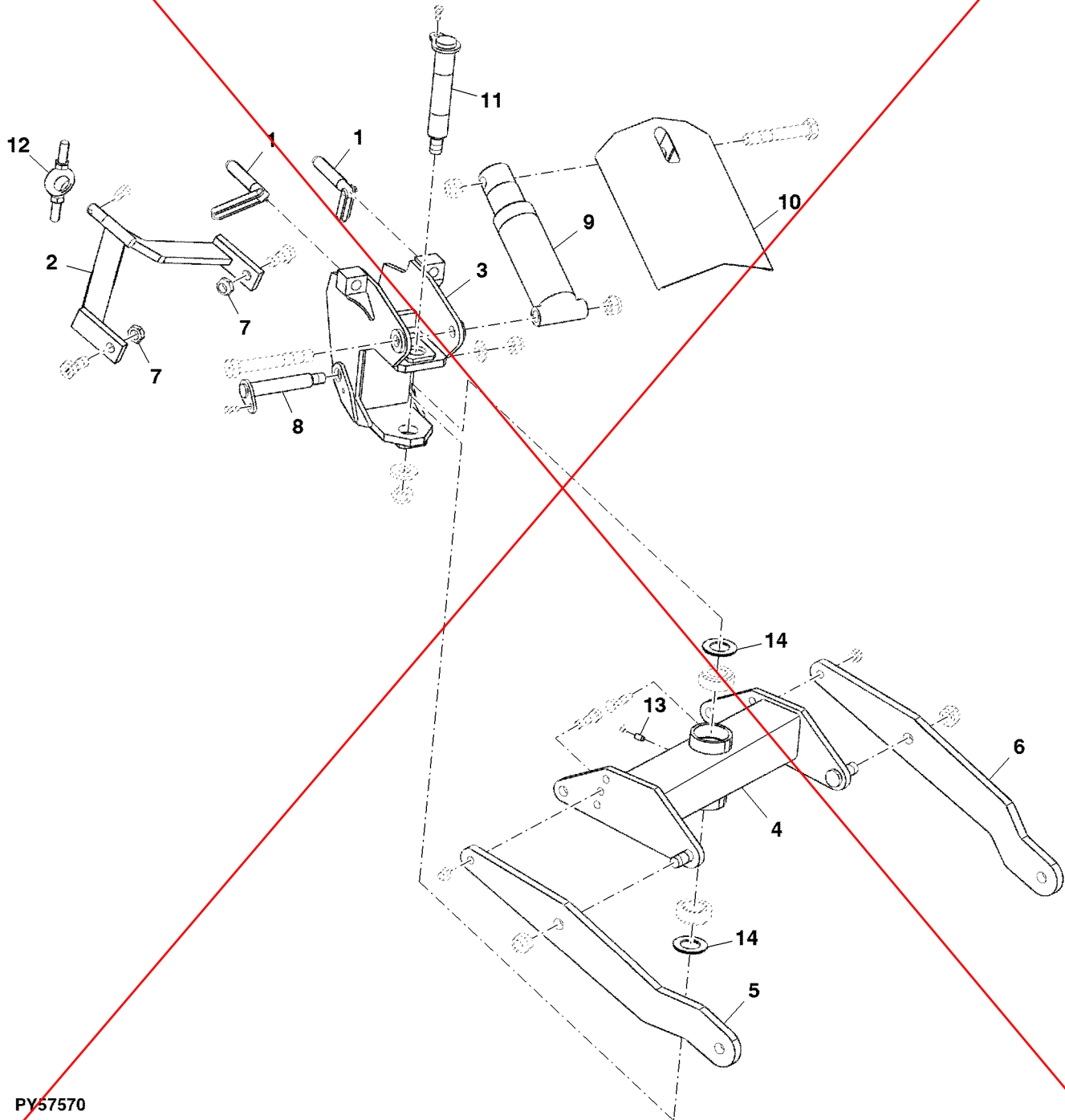
5GBRB6036 (1/4)

11-Sep-13

Revision : B  
M a J :19-Mar-15

Wheel 16.0 / 70 - 20 TL AS 504 8 Studs, Yellow Rim (2/5)  
Колесо 16.0/70 — 20 TL AS 504 8 шпилек, желтый обод (2/5)

PY57570 A.1

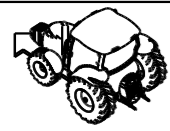


PY57570

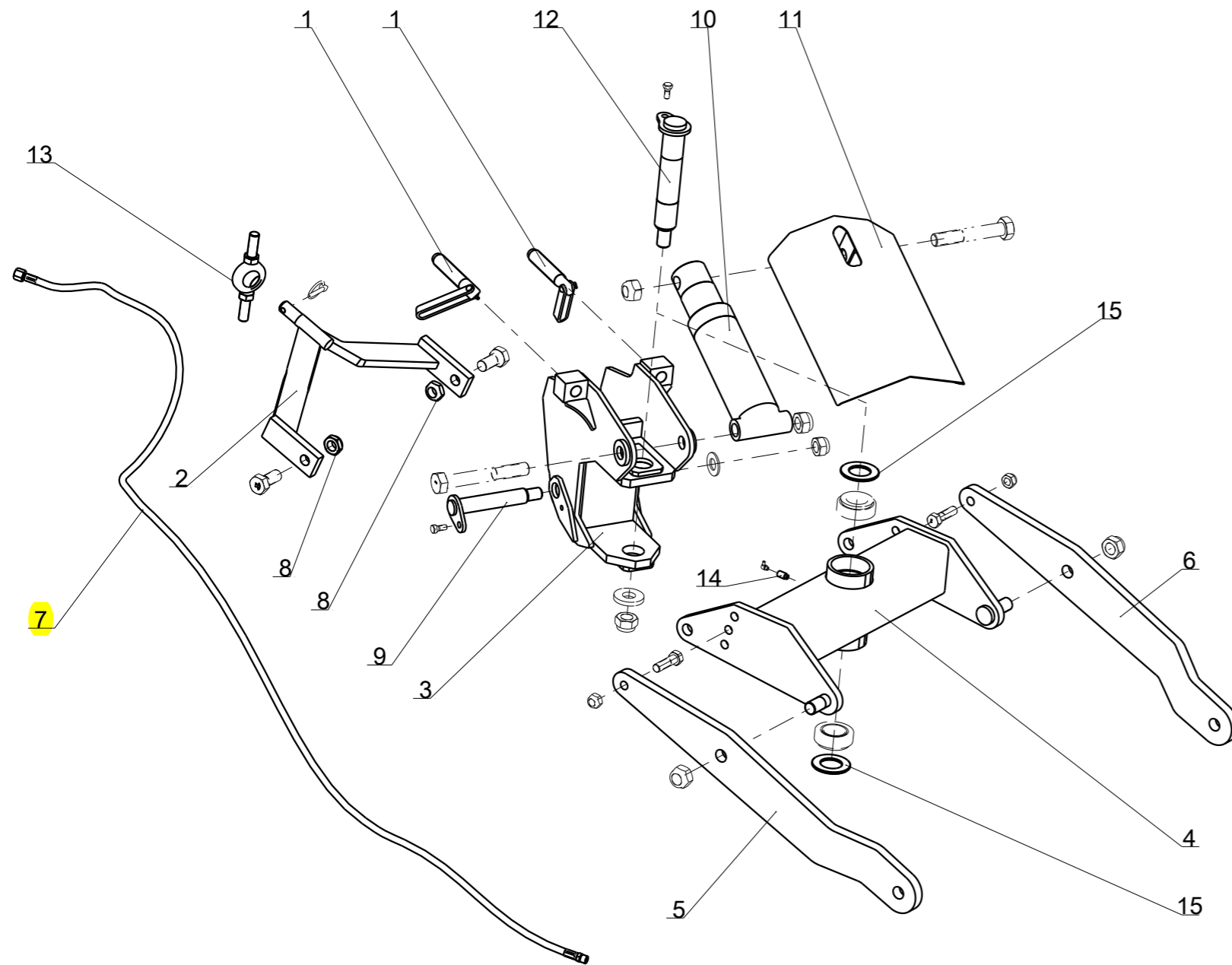


| Key | Part No.   | Part Name | Qty. | Serial No. | Remarks   |
|-----|------------|-----------|------|------------|-----------|
| 1   | 5GB1122376 | Screw     | 2    |            |           |
| 2   | 5GB1292115 | Yoke      | 1    |            |           |
| 3   | 5GB1292116 | Wheel     | 1    |            |           |
| 4   | 5GB1292117 | Wheel     | 1    |            |           |
| 5   | 5GB1292147 | Housing   | 1    |            | LH        |
| 6   | 5GB1292148 | Housing   | 1    |            | RH        |
| 7   | 5GB1292182 | Nut       | 2    |            | M27       |
| 8   | 5GB12355   | Pin       | 1    |            |           |
| 9   | 5GB12359   | Wheel     | 1    |            |           |
| 10  | 5GB12361   | Cover     | 1    |            |           |
| 11  | 5GB12701   | Axle      | 1    |            | M30 X 325 |
| 12  | 5GB12705   | Axle      | 1    |            |           |
| 13  | 5GB12738   | Extension | 1    |            | M10 / M8  |
| 14  | 5GB122104  | Washer    | 2    |            |           |

P  
R  
O  
O  
F  
  
O  
F  
  
P  
R  
O  
O  
F

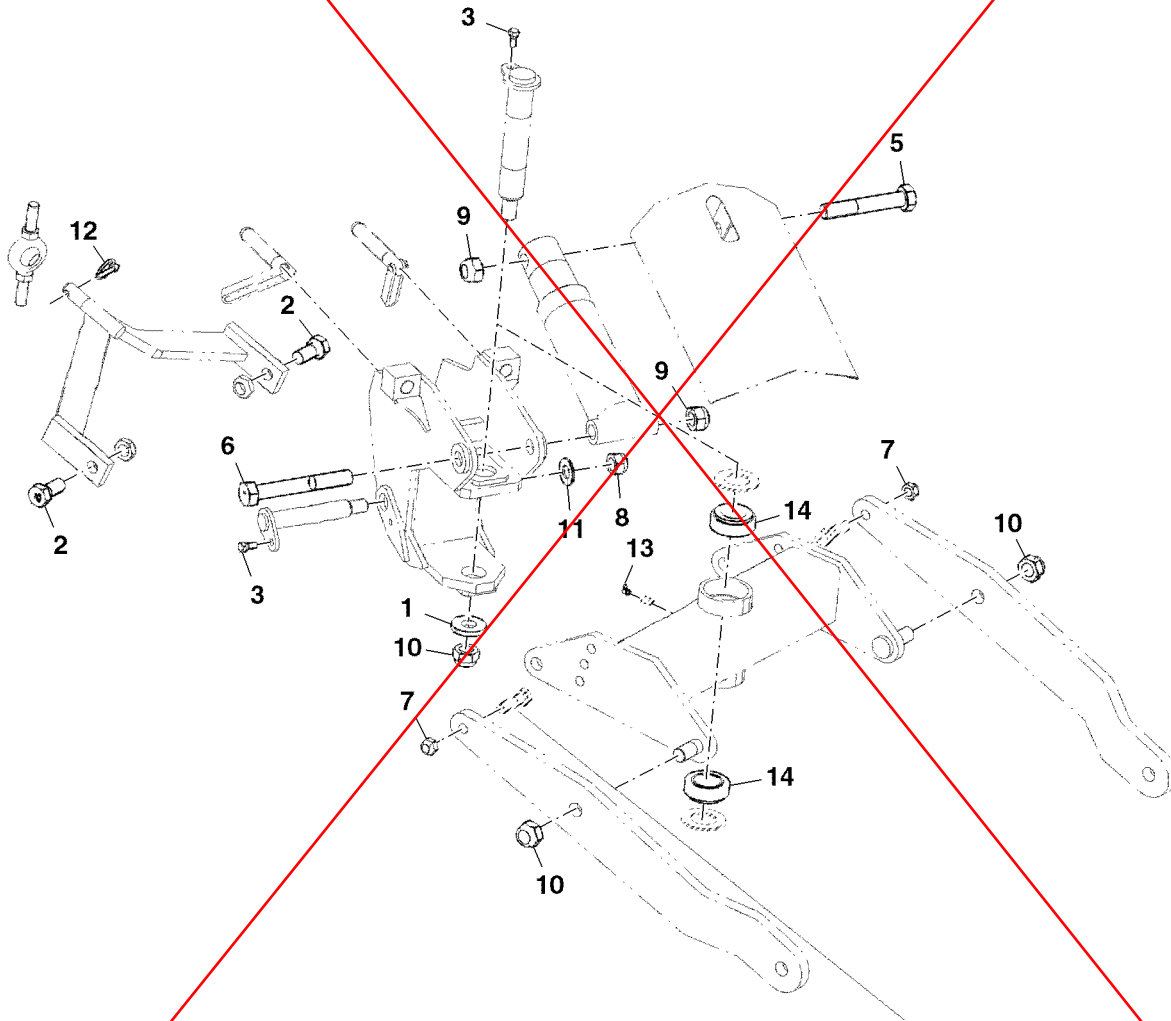


Wheel 16.0/70-20 8 studs, Yellow Rim



| Repere | Quantité | Reference    | Designation   |
|--------|----------|--------------|---|
| 1      | 2        | 5GB1 122 376 | Inclination ajustement screw (new) M30, Lg. = 190mm Z                 |
| 2      | 1        | 5GB1 292 115 | Steering yoke   |
| 3      | 1        | 5GB1 292 116 | Wheel bracket articulation  |
| 4      | 1        | 5GB1 292 117 | Wheel housing   |
| 5      | 1        | 5GB1 292 147 | Housing support large wheel L.H.                                      |
| 6      | 1        | 5GB1 292 148 | Housing support large wheel R.H.                                      |
| 7      | 1        | 5GB1 292 169 | Hydraulic hose - Dia 5/16", lg. : 3830 mm, F12-MVA18                  |
| 8      | 2        | 5GB1 292 182 | Nyloc nut special MHB M 27 - thread 200                               |
| 9      | 1        | 5GB12 355    | Pin for wheel bracket articulation - Dia 35,lg. : 235 mm, thread 2.00 |
| 10     | 1        | 5GB12 359    | Lift wheel cylinder assembly - SA, Dia 85, S. : 180 mm                |
| 11     | 1        | 5GB12 361    | Cover protection for wheel cylinder                                   |
| 12     | 1        | 5GB12 701    | Axle pin D:52 Lg:325 M30x2  |
| 13     | 1        | 5GB12 705    | Axle swivel   |
| 14     | 1        | 5GB12 738    | Greaser extension M10 / M8  |
| 15     | 2        | 5GB122 104   | Special washer for hub or wheel pivot - Dia 89.5 x 50, thick. : 5 mm  |

Wheel 16.0 / 70 - 20 TL AS 504 8 Studs, Yellow Rim (3/5)  
Колесо 16.0/70 — 20 TL AS 504 8 шпилек, желтый обод (3/5)  
PY57571 B.1



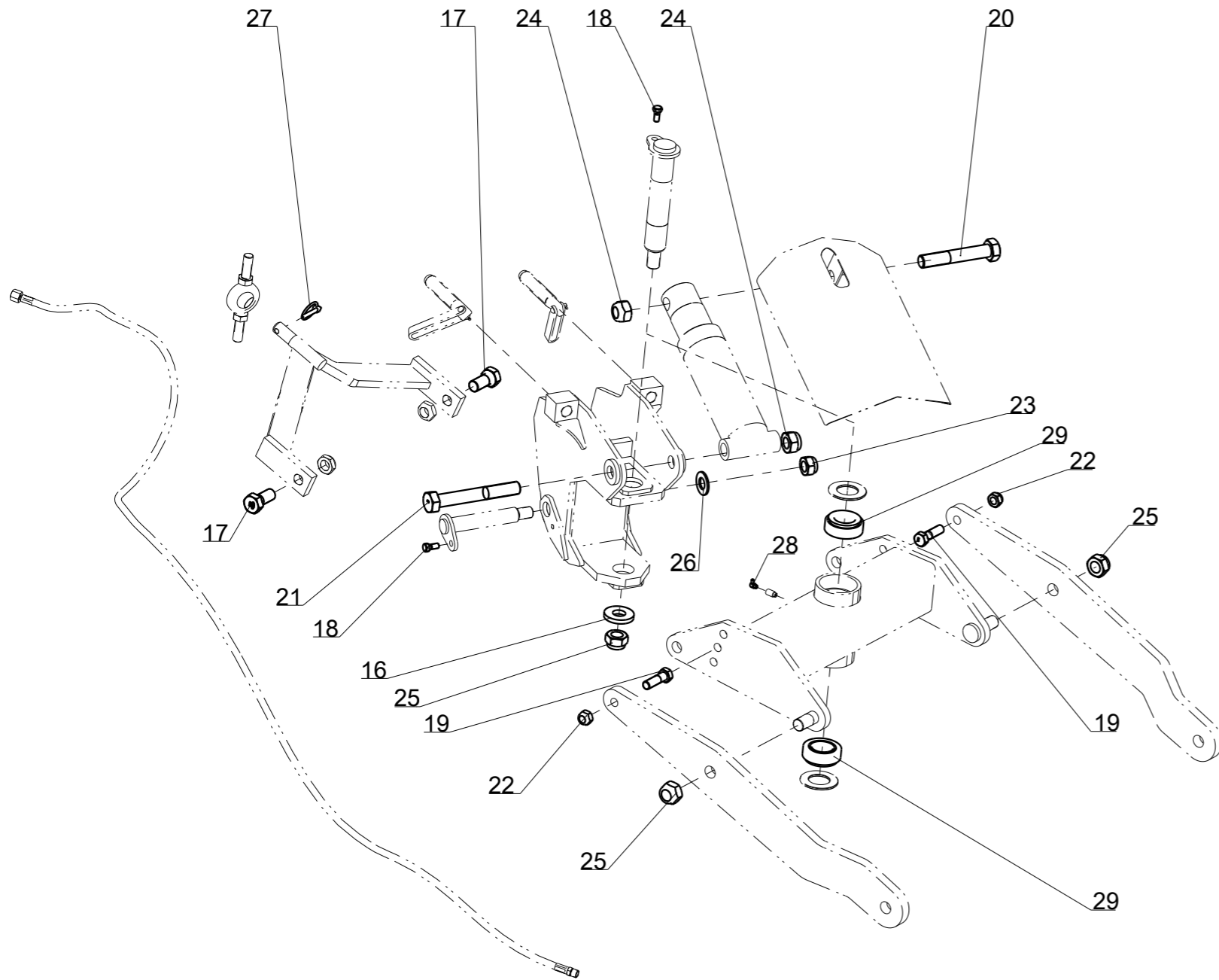
PY57571

| Key | Part No.   | Part Name | Qty. | Serial No. | Remarks           |
|-----|------------|-----------|------|------------|-------------------|
| 1   | 5GB122106  | Washer    | 1    |            | 30.5 X 70 X 10 mm |
| 2   | 5GB122265  | Screw     | 2    |            | M27 X 60          |
| 3   | 5GBVI2433  | Screw     | 2    |            | M12 X 22          |
| 4   | 5GBVI3306  | Screw     | 2    |            | M20 X 70          |
| 5   | 5GBVI3702  | Screw     | 1    |            | M30 X 180         |
| 6   | 5GBVI3704  | Screw     | 1    |            | M30 X 220         |
| 7   | 5GBVJ327   | Nut       | 2    |            | M20               |
| 8   | 5GBVJ333   | Nut       | 1    |            | M27               |
| 9   | 5GBVJ334   | Nut       | 2    |            | M30               |
| 10  | 5GBVJ335   | Nut       | 3    |            | M30               |
| 11  | 5GBVK512   | Washer    | 1    |            |                   |
| 12  | 5GBVL103   | Pin       | 1    |            |                   |
| 13  | 5GBVM203   | Grease    | 1    |            | M8 X 125          |
| 14  | 5GBVN53210 | Bearing   | 2    |            |                   |

D  
R  
O  
O  
F  
P  
R  
O  
O  
F



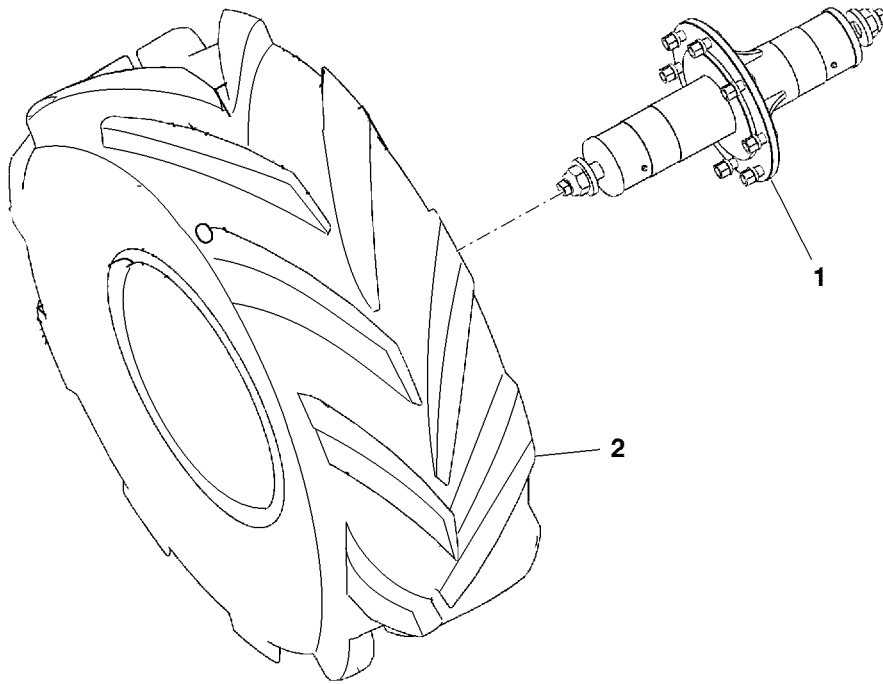
Wheel 16.0/70-20 8 studs, Yellow Rim



| Repere | Quantité | Reference    | Designation  |
|--------|----------|--------------|--|
| 16     | 1        | 5GB122 106   | Special washer - 30.5x70x10                          |
| 17     | 2        | 5GB122 265   | Screw H M27x 60 - 10.9 Znbl, thread /45mm, thread200 |
| 18     | 2        | 5GBVI 24 33  | Screw H conical M12x22 lg. : 36                      |
| 19     | 2        | 5GBVI 33 06  | Screw H M20x 70 - 8.8 ZNBL                           |
| 20     | 1        | 5GBVI 37 02  | Screw H M30x180 - 8.8 ZNBL                           |
| 21     | 1        | 5GBVI 37 04  | Screw H M30x220 - 8.8 ZNBL                           |
| 22     | 2        | 5GBVJ 327    | Nyloc nut std H M 20 - 8 ZNBL                        |
| 23     | 1        | 5GBVJ 333    | Nyloc nut std H M 27 - 8 ZNBL - thread 200           |
| 24     | 2        | 5GBVJ 334    | Nyloc nut std H M 30 - 8 ZNBL                        |
| 25     | 3        | 5GBVJ 335    | Nyloc nut std H M 30 - 8 ZNBL - thread 200           |
| 26     | 1        | 5GBVK 512    | Flat washer MU27 ZNBL                                |
| 27     | 1        | 5GBVL 103    | Lynch pin "Clips" Dia10 Z                            |
| 28     | 1        | 5GBVM 203    | Grease nipple 90° M8x125                             |
| 29     | 2        | 5GBVN 33 210 | Taper roller bearing                                 |

Wheel 16.0 / 70 - 20 TL AS 504 8 Studs, Yellow Rim (4/5)  
 Колесо 16.0/70 — 20 TL AS 504 8 шпилек, желтый обод (4/5)

PY57586 A.1



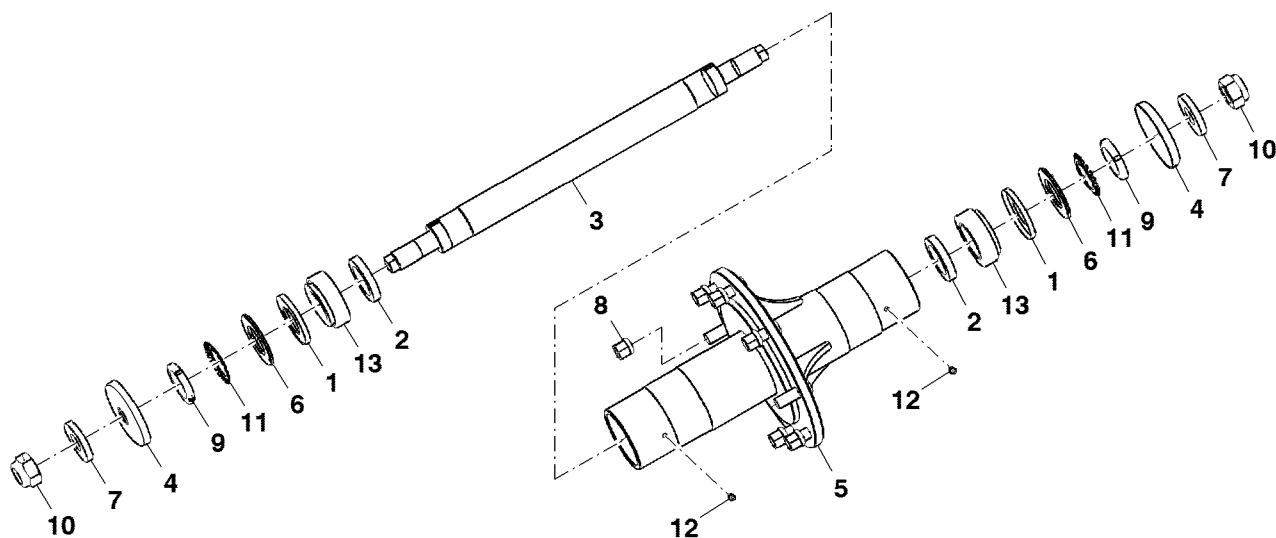
PY57586

| Key | Part No.    | Part Name | Qty. | Serial No. | Remarks |
|-----|-------------|-----------|------|------------|---------|
| 1   | 5GB1292195  | Wheel     | 1    |            |         |
| 2   | 5GB198734DY | Wheel     | 1    |            |         |

P  
R  
O  
O  
F

Wheel 16.0 / 70 - 20 TL AS 504 8 Studs, Yellow Rim (5/5)  
 Колесо 16.0/70 — 20 TL AS 504 8 шпилек, желтый обод (5/5)

PY57572 A.1

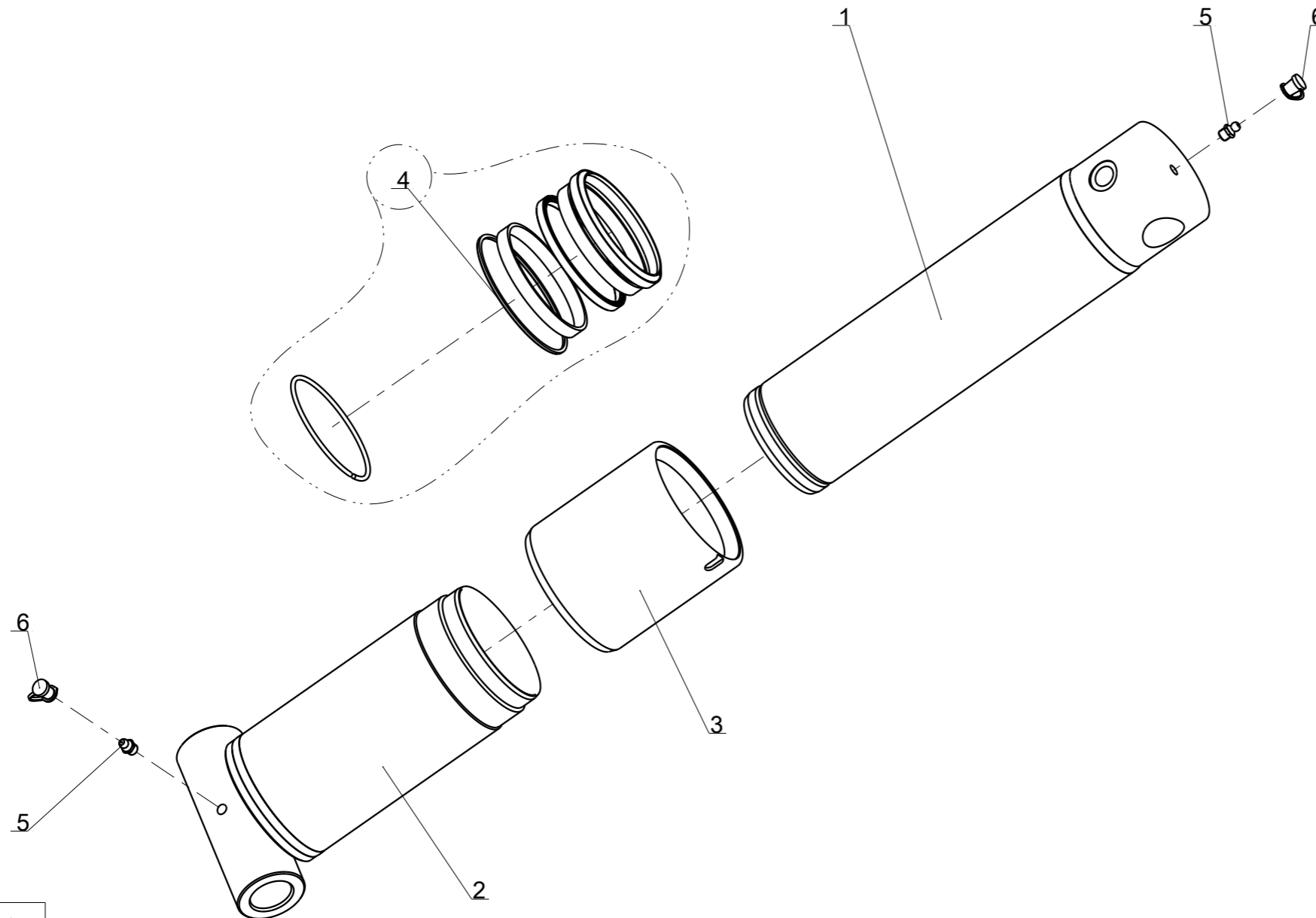


## PY57572

| Key | Part No.   | Part Name | Qty. | Serial No.        | Remarks |
|-----|------------|-----------|------|-------------------|---------|
| 1   | 5GB1292150 | Grease    | 2    |                   |         |
| 2   | 5GB1292151 | Seal      | 2    |                   |         |
| 3   | 5GB1292153 | Wheel     | 1    | M50               |         |
| 4   | 5GB1292155 | Hub       | 2    |                   |         |
| 5   | 5GB1292194 | Wheel     | 1    |                   |         |
| 6   | 5GB122104  | Washer    | 2    |                   |         |
| 7   | 5GB122106  | Washer    | 2    | 30.5 X 70 X 10 mm |         |
| 8   | 5GB198376  | Wheel     | 8    | M18               |         |
| 9   | 5GBVJ009   | Nut       | 2    | M50               |         |
| 10  | 5GBVJ335   | Nut       | 2    | M30               |         |
| 11  | 5GBVK203   | Washer    | 2    |                   |         |
| 12  | 5GBVM201   | Grease    | 2    | M8                |         |
| 13  | 5GBVN33210 | Bearing   | 2    |                   |         |

# Ram SA 85 Str180

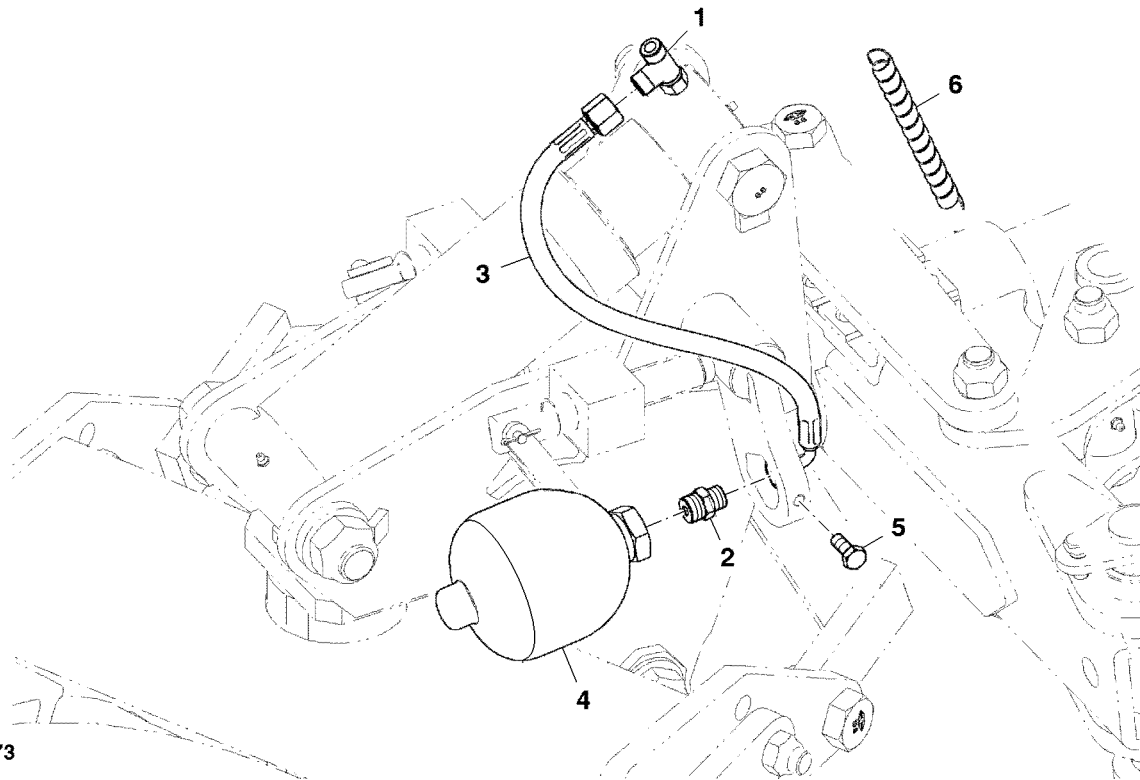
| Index | Quantité | Référence    | Designation                                    |
|-------|----------|--------------|--|
| 1     | 1        | 5GB1 292 158 | Ram stick SA 85 Stroke 180 (12 359)            |
| 2     | 1        | 5GB1 292 161 | Ram cylinder SA 85 Str. 180 (12 359)           |
| 3     | 1        | 5GB1 292 162 | Ram stick guide SA 85 / Ram 12 359 & 1 231 314 |
| 4     | 1        | 5GB12 357    | Seals kit / Ram 12 359 & 1 231 314             |
| 5     | 2        | 5GBVM 201    | Grease nipple - M8, thread125                  |
| 6     | 2        | 5GBVM 215    | Grease cap                                     |





Hydraulic Suspension on Wheel  
Гидравлическая подвеска на колесе

PY57573 A.1



PY57573

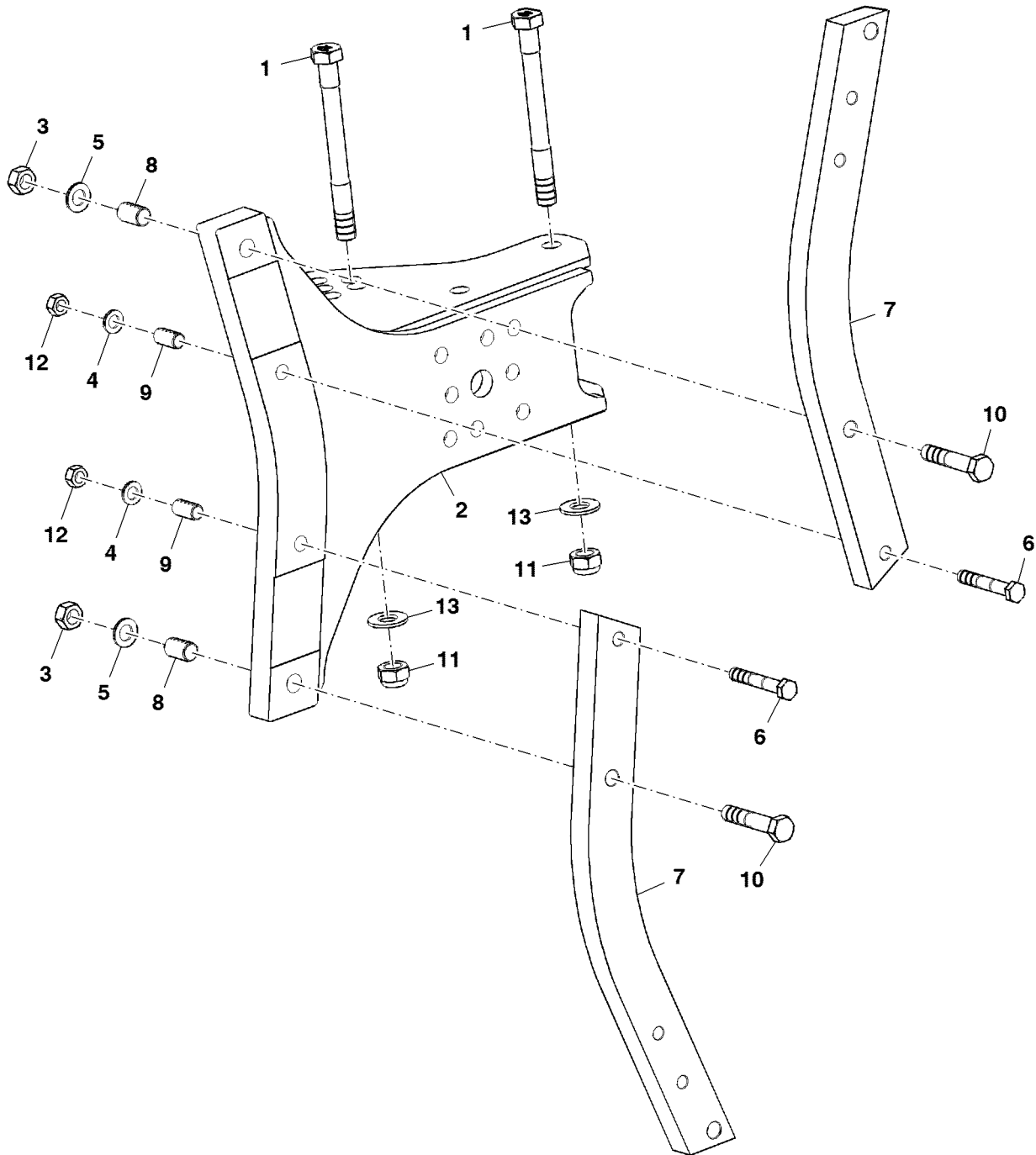
| Key | Part No.   | Part Name       | Qty. | Serial No. | Remarks                       |
|-----|------------|-----------------|------|------------|-------------------------------|
| 1   | 5GB1112972 | Fitting         | 1    |            | M12                           |
| 2   | 5GB1116509 | Union Fitting   | 1    |            | M12                           |
| 3   | 5GB1223130 | Hose            | 1    |            |                               |
| 4   | 5GB1233105 | Accumulator Kit | 1    |            |                               |
| 5   | 5GBV12105  | Screw           | 1    |            | M10 X 25                      |
| 6   | 5GB1116581 | Spring          | 1    |            | Hose Protector, OD 15 mm      |
|     | 5GB1116582 | Spring          | 1    |            | Hose Protector, OD 20 mm      |
|     | 5GB1116580 | Spring          | 1    |            | Hose Protector, OD 13 mm      |
|     | 5GB1116546 | Spring          | 1    |            | Hose Protector, OD 25 - 40 mm |

P  
R  
O  
O  
F

P  
R  
O  
O  
F  
  
P  
R  
O  
O  
F

Shearbolt Protection  
 Защита с помощью срезного болта

PY57574 A.1



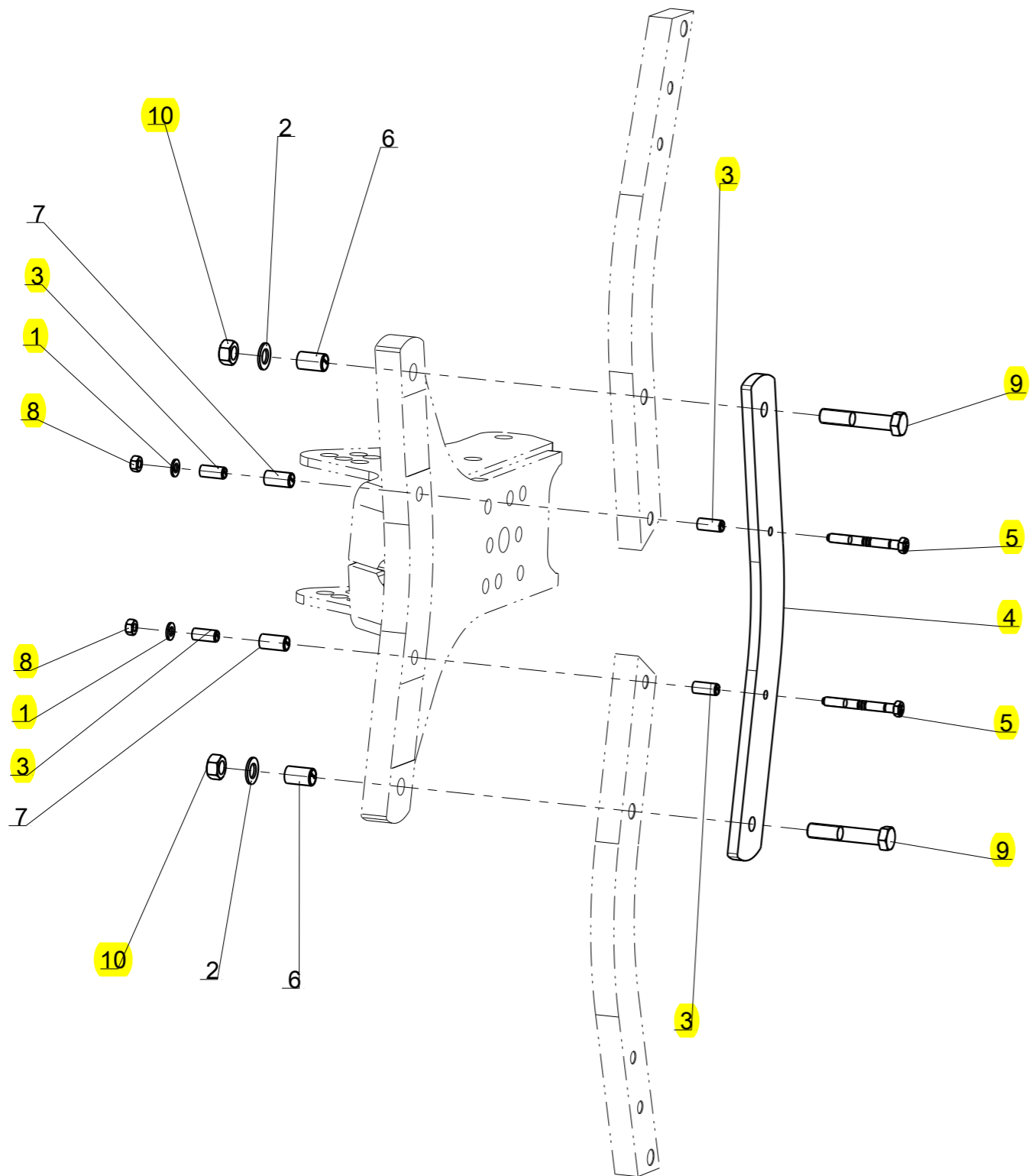
PY57574



| Key | Part No.    | Part Name | Qty. | Serial No. | Remarks   |
|-----|-------------|-----------|------|------------|-----------|
| 1   | 5GB1118358  | Screw     | 2    |            | M24 X 240 |
| 2   | 5GB1118468  | Support   | 1    |            |           |
| 3   | 5GB10654    | Screw     | 2    |            | M20       |
| 4   | 5GB125DA17A | Washer    | 2    |            |           |
| 5   | 5GB125DA21A | Washer    | 2    |            |           |
| 6   | 5GB70012400 | Screw     | 2    |            | M16 X 100 |
| 7   | 5GB70100301 | Leg       | 2    |            | RH        |
| 8   | 5GB70100302 | Steel     | 2    |            |           |
| 9   | 5GB70100303 | Steel     | 2    |            |           |
| 10  | 5GBVI3339   | Screw     | 2    |            | M20 X 100 |
| 11  | 5GBVJ331    | Nut       | 2    |            | M24       |
| 12  | 5GBVJ638    | Screw     | 2    |            | M16       |
| 13  | 5GBVK510    | Washer    | 2    |            |           |

P  
R  
O  
O  
F  
  
P  
R  
O  
O  
F

## Assembly reinforced leg



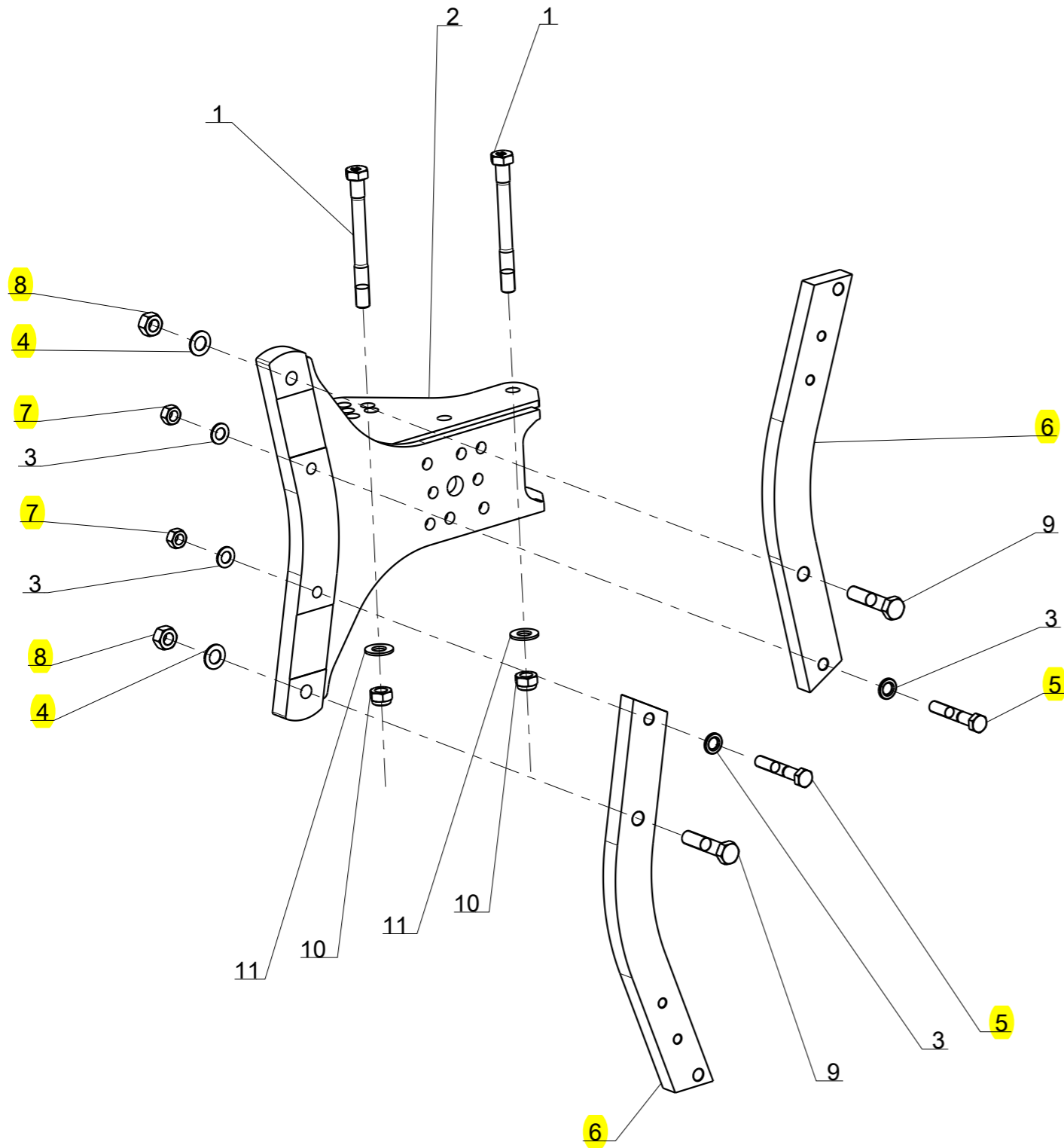
| Repere | Quantité | Reference    | Designation                            |
|--------|----------|--------------|--|
| 1      | 2        | 5GB125DA13A  | Washer A 13 ISO7089 Zinc.              |
| 2      | 2        | 5GB125DA21A  | Washer A 21 ISO7089 Zinc.              |
| 3      | 4        | 5GB47890509  | Steel bushing Ø 16 x 12 x 35           |
| 4      | 1        | 5GB48050185  | Fixation bracket, safety reinforcement |
| 5      | 2        | 5GB48050186  | Screw HM12x110 grooved 12.9            |
| 6      | 2        | 5GB70100302  | Steel bushing Ø 24 x 20 x 38           |
| 7      | 2        | 5GB70100303  | Steel bushing Ø 20 x 16 x 38           |
| 8      | 2        | 5GB934D12NA  | Nut std H M12 - thread 175 Zingue      |
| 9      | 2        | 5GB2015110NA | Hex. Screw M20x1.5x110 ZNBL 10.9       |
| 10     | 2        | 5GBVJ 639    | Nut HU M20 - 10 ZNBL - thread 150      |

5GB48050184

05-Jun-15

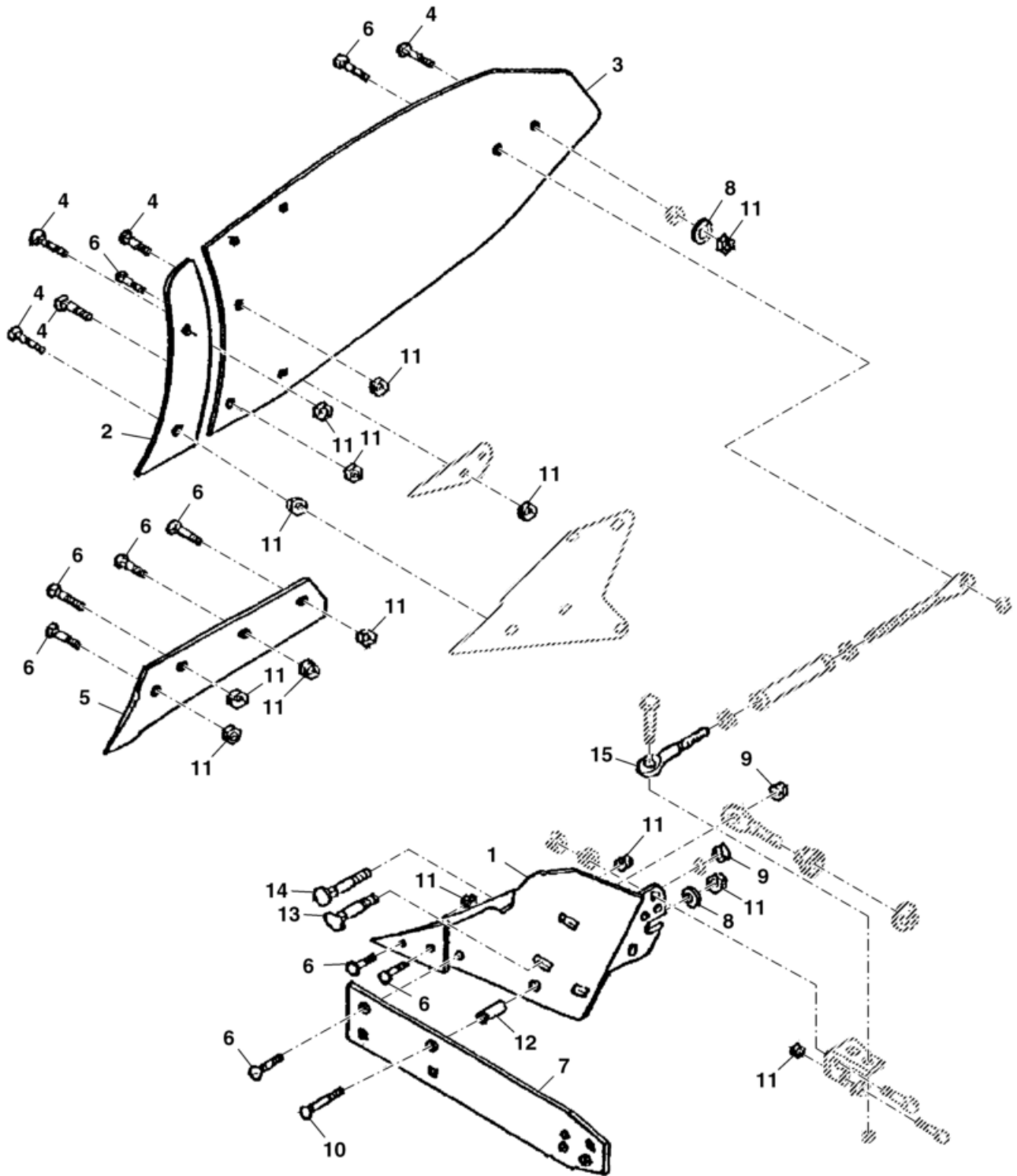
Revision : A  
M a J :

# Shearbolt protection 80



| Repere | Quantité | Reference    | Designation                                  |
|--------|----------|--------------|--|
| 1      | 2        | 5GB1 118 358 | Screw H M24x240 - 10.9 ZNBL, thread /36 mm   |
| 2      | 1        | 5GB1 118 468 | console                                      |
| 3      | 4        | 5GB6916D21A  | Washer 21 Z                                  |
| 4      | 2        | 5GB6916D25A  | Washer 25 EN14399-6 Z                        |
| 5      | 2        | 5GB70021000  | Hex. Screw M20x1.5x120 with Notche           |
| 6      | 2        | 5GB70101201  | Leg RH 800, 80x35                            |
| 7      | 2        | 5GB9342015PA | Nut std H M20 - thread 150 Zingue            |
| 8      | 2        | 5GB9342415NA | Nut std H M24 - thread 150 Zingue            |
| 9      | 2        | 5GBVI 35 42  | Screw H M24x110 - 10.9 ZNBL DIN960 thread150 |
| 10     | 2        | 5GBVJ 331    | Nyloc nut std H M 24 - 8 ZNBL                |
| 11     | 2        | 5GBVK 510    | Flat washer MU24 ZNBL                        |

Plain Body (1/2)  
 Простой корпус (1/2)  
 PY57575 A.1



PY57575



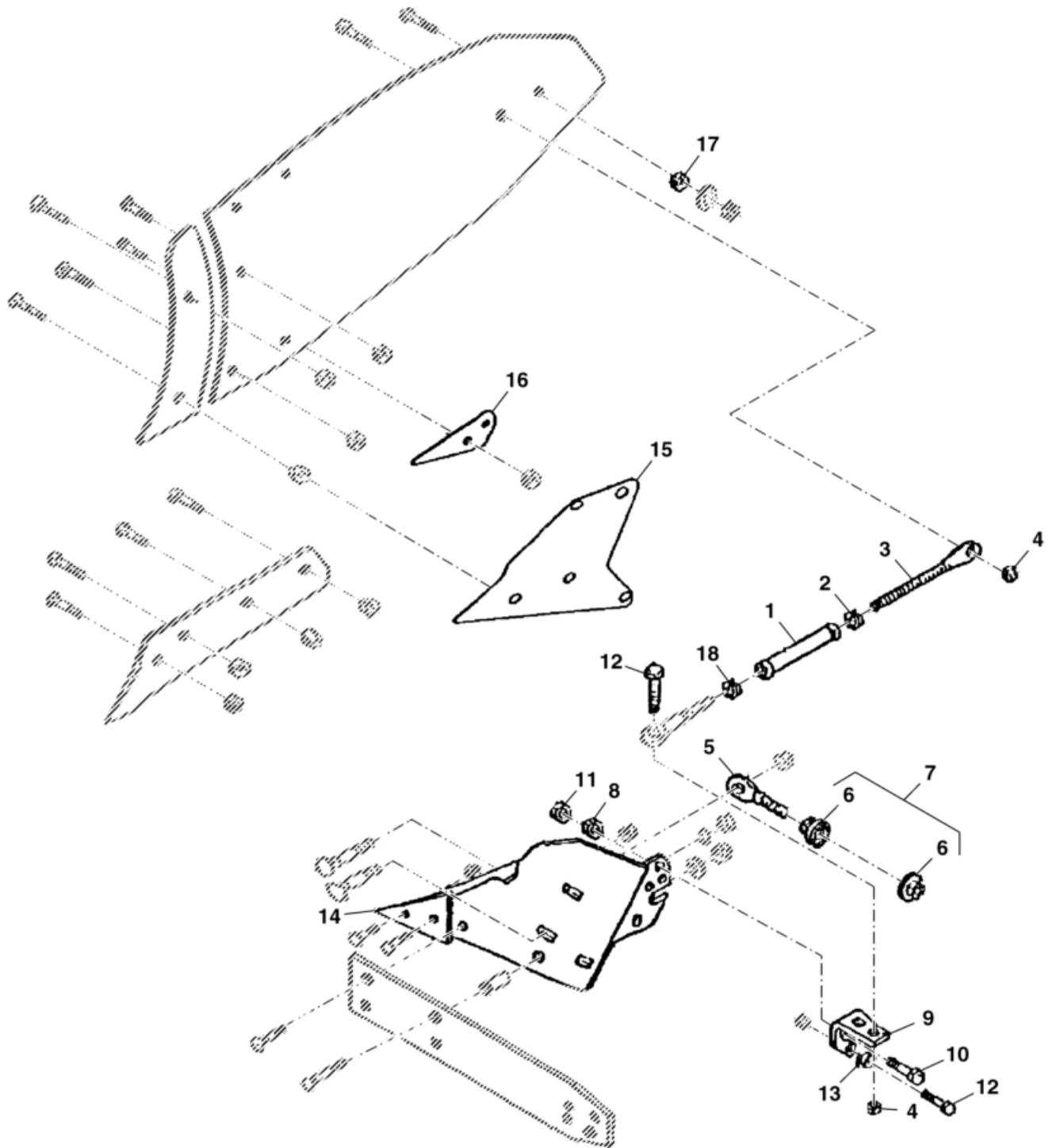
| Key | Part No.     | Part Name  | Qty. | Serial No. | Remarks  |
|-----|--------------|------------|------|------------|----------|
| 1   | 5GB27510101  | Frog       | 1    |            | RH       |
|     | 5GB27510102  | Frog       | 1    |            | LH       |
| 2   | 5GB27510501  | Shin       | 1    |            | RH       |
|     | 5GB27510502  | Shin       | 1    |            | LH       |
| 3   | 5GB27510401  | Ripper     | 1    |            | RH       |
|     | 5GB27510402  | Ripper     | 1    |            | LH       |
| 4   | 5GB27002603  | Screw      | 10   |            | M12 X 30 |
| 5   | 5GB27513001  | Plow Share | 1    |            | RH       |
|     | 5GB27513002  | Plow Share | 1    |            | LH       |
| 6   | 5GB27002605  | Screw      | 18   |            | M12 X 35 |
| 7   | 5GB27510305  | Landside   | 2    |            |          |
| 8   | 5GB64366003  | Washer     | 4    |            |          |
| 9   | 5GB934D16PA  | Nut        | 4    |            | M16      |
| 10  | 5GB27002614  | Screw      | 2    |            | M12 X 75 |
| 11  | 5GB934D12M   | Nut        | 30   |            | M12      |
| 12  | 5GB1481D2145 | Pin        | 2    |            |          |
| 13  | 5GB22044908  | Bolt       | 2    |            | M16 X 75 |
| 14  | 5GB22044905  | Bolt       | 2    |            | M16 X 65 |
| 15  | 5GB27010101  | Eyebolt    | 2    |            |          |

DRAFT  
OFF PROOF



Plain Body (2/2)  
 Простой корпус (2/2)

PY57576 A.1

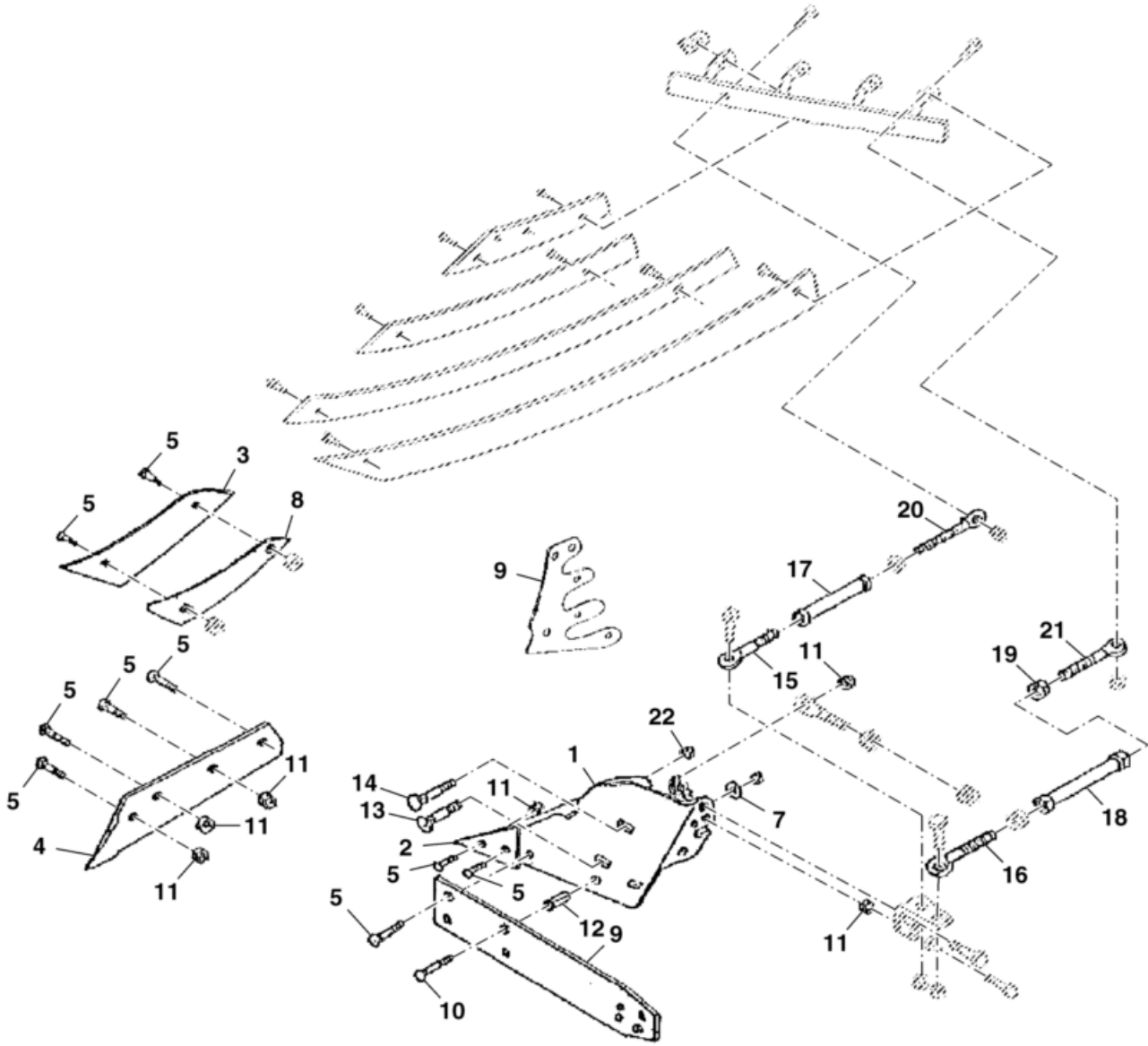


PY57576

| Key | Part No.     | Part Name     | Qty. | Serial No. | Remarks  |
|-----|--------------|---------------|------|------------|----------|
| 1   | 5GB27010300  | Nut           | 2    |            |          |
| 2   | 5GB934D24P   | Nut           | 2    |            | M24      |
| 3   | 5GB27010101  | Eyebolt       | 2    |            |          |
| 4   | 5GB980DV12NA | Lock          | 4    |            |          |
| 5   | 5GB27200701  | Screw         | 2    |            | M20      |
| 6   | 5GB934D20N   | Nut           | 4    |            | M20      |
| 7   | 5GB27201101  | Washer        | 4    |            |          |
| 8   | 5GB127DB20A  | Spring Washer | 2    |            |          |
| 9   | 5GB27200605  | Bracket       | 1    |            | RH       |
|     | 5GB27200606  | Bracket       | 1    |            | LH       |
| 10  | 5GBVI2826    | Screw         | 2    |            | M20 X 45 |
| 11  | 5GB934D20PA  | Nut           | 2    |            | M20      |
| 12  | 5GBVI2829    | Screw         | 4    |            | M12 X 40 |
| 13  | 5GB126D14    | Washer        | 2    |            |          |
| 14  | 5GB27510205  | Point         | 2    |            |          |
| 15  | 5GB27512000  | Shim          | 4    |            |          |
| 16  | 5GB27510001  | Steel         | 2    |            |          |
| 17  | 5GB27200500  | Washer        | 2    |            |          |
| 18  | 5GB934D24PL  | Nut           | 2    |            | M24      |

DRAFT COPY OF PROOF

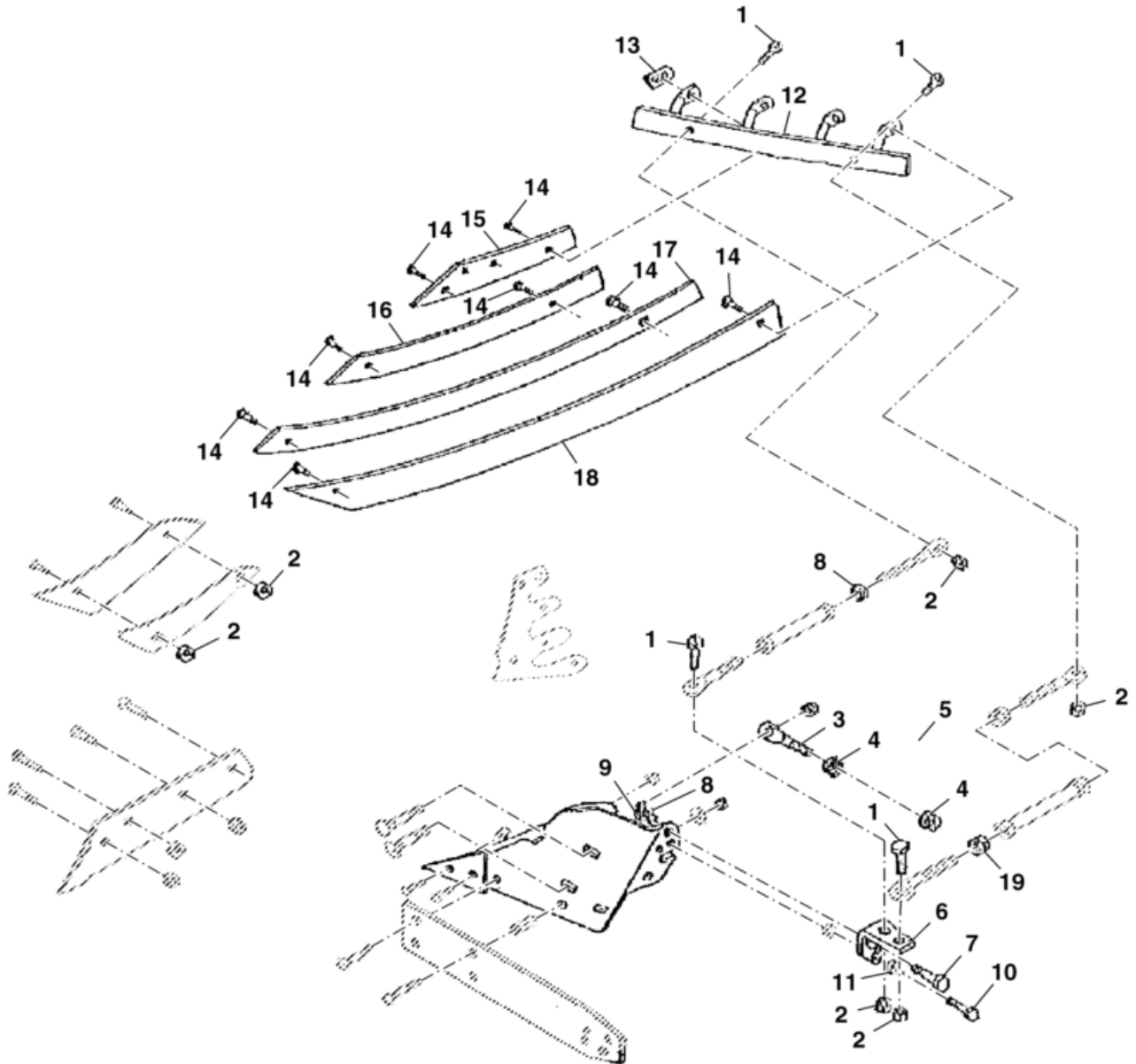
Slatted Body (1/2)  
 Ребристый корпус (1/2)  
 PY57577 A.1



PY57577

| Key | Part No.     | Part Name  | Qty. | Serial No. | Remarks  |
|-----|--------------|------------|------|------------|----------|
| 1   | 5GB27510101  | Frog       | 1    |            | RH       |
|     | 5GB27510102  | Frog       | 1    |            | LH       |
| 2   | 5GB27510205  | Point      | 2    |            |          |
| 3   | 5GB27510501  | Shin       | 1    |            | RH       |
|     | 5GB27510502  | Shin       | 1    |            | LH       |
| 4   | 5GB27513001  | Plow Share | 1    |            | LH       |
|     | 5GB27513002  | Plow Share | 1    |            | LH       |
| 5   | 5GB27002605  | Screw      | 18   |            | M12 X 35 |
| 6   | 5GB27510305  | Landside   | 2    |            |          |
| 7   | 5GB64366003  | Washer     | 2    |            |          |
| 8   | 5GB27550501  | Shim       | 2    |            |          |
| 9   | 5GB27512000  | Shim       | 2    |            |          |
| 10  | 5GB27002614  | Screw      | 2    |            | M12 X 75 |
| 11  | 5GB934D12M   | Nut        | 20   |            | M12      |
| 12  | 5GB1481D2145 | Pin        | 2    |            |          |
| 13  | 5GB22044908  | Bolt       | 2    |            | M16 X 75 |
| 14  | 5GB22044905  | Bolt       | 2    |            | M16 X 65 |
| 15  | 5GB27001702  | Eyebolt    | 2    |            |          |
| 16  | 5GB27010101  | Eyebolt    | 2    |            |          |
| 17  | 5GB27002000  | Turnbuckle | 2    |            |          |
| 18  | 5GB27010310  | Turnbuckle | 2    |            |          |
| 19  | 5GB936D24P   | Nut        | 2    |            | M24      |
| 20  | 5GB27001701  | Eyebolt    | 2    |            |          |
| 21  | 5GB27010201  | Eyebolt    | 2    |            |          |
| 22  | 5GB934D16PA  | Nut        | 4    |            | M16      |

Slatted Body (2/2)  
 Ребристый корпус (2/2)  
 PY57578 A.1

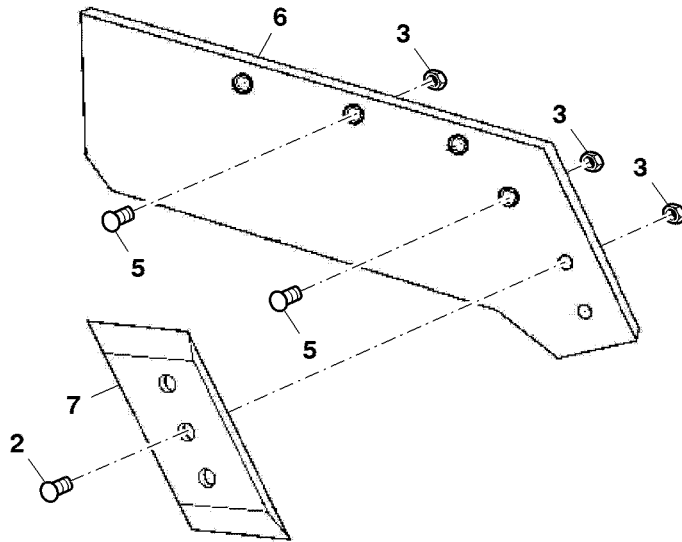
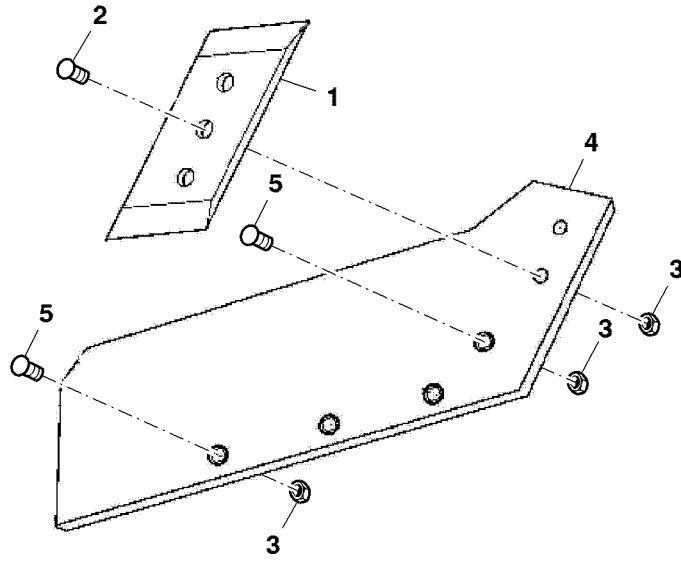


PY57578



| Key | Part No.     | Part Name        | Qty. | Serial No. | Remarks  |
|-----|--------------|------------------|------|------------|----------|
| 1   | 5GBVI2827    | Screw            | 2    |            | M12 X 45 |
| 2   | 5GB980DV12NA | Lock             | 26   |            |          |
| 3   | 5GB27200701  | Screw            | 2    |            |          |
| 4   | 5GB934D20N   | Nut              | 4    |            | M20      |
| 5   | 5GB27201101  | Washer           | 4    |            |          |
| 6   | 5GB27200605  | Bracket          | 1    |            | RH       |
|     | 5GB27200606  | Bracket          | 1    |            | LH       |
| 7   | 5GBVI2826    | Screw            | 2    |            | M20 X 45 |
| 8   | 5GB934D20PA  | Nut              | 4    |            | M20      |
| 9   | 5GB127DB20A  | Spring Washer    | 4    |            |          |
| 10  | 5GB933D1240P | Bolt             | 8    |            | M12 X 40 |
| 11  | 5GB126D14    | Washer           | 2    |            |          |
| 12  | 5GB27550601  | Strutted LINK-RH | 1    |            | RH       |
|     | 5GB27550602  | Strutted LINK-LH | 1    |            | LH       |
| 13  | 5GB27310700  | Washer           | 8    |            |          |
| 14  | 5GB27004114  | Bolt             | 16   |            | M12 X 40 |
| 15  | 5GB27550101  | Slat             | 1    |            | RH       |
|     | 5GB27550102  | Slat             | 1    |            | LH       |
| 16  | 5GB27550201  | Slat             | 1    |            | RH       |
|     | 5GB27550202  | Slat             | 1    |            | LH       |
| 17  | 5GB27550301  | Slat             | 1    |            | RH       |
|     | 5GB27550302  | Slat             | 1    |            | LH       |
| 18  | 5GB27550701  | Slat             | 1    |            | RH       |
|     | 5GB27550702  | Slat             | 1    |            | LH       |
| 19  | 5GB936D24PL  | Nut              | 2    |            | M24      |

Option Share + Point  
Опция Share + Point  
PY57579 A.1



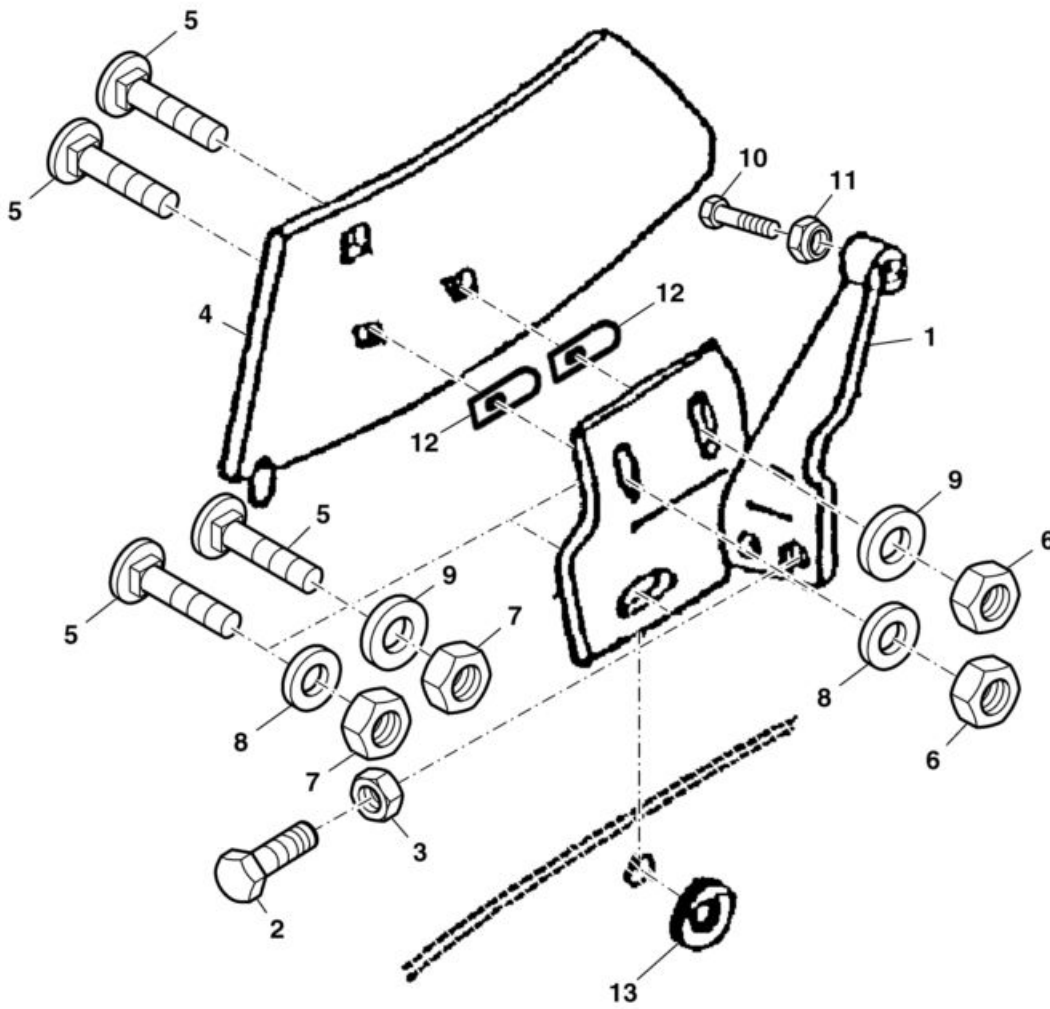
PY57579

| Key | Part No.    | Part Name  | Qty. | Serial No. | Remarks  |
|-----|-------------|------------|------|------------|----------|
| 1   | 5GB27510902 | Point      | 1    |            | LH       |
| 2   | 5GB27004114 | Bolt       | 4    |            | M12 X 40 |
| 3   | 5GB934D12M  | Nut        | 12   |            | M12      |
| 4   | 5GB27512202 | Plow Share | 1    |            | LH       |
| 5   | 5GB27002605 | Screw      | 8    |            | M12 X 35 |
| 6   | 5GB27512201 | Plow Share | 1    |            | RH       |
| 7   | 5GB27510901 | Point      | 1    |            | RH       |

P  
R  
O  
O  
F  
P  
R  
O  
O  
F



Body  
Корпус  
PY57648 A.1

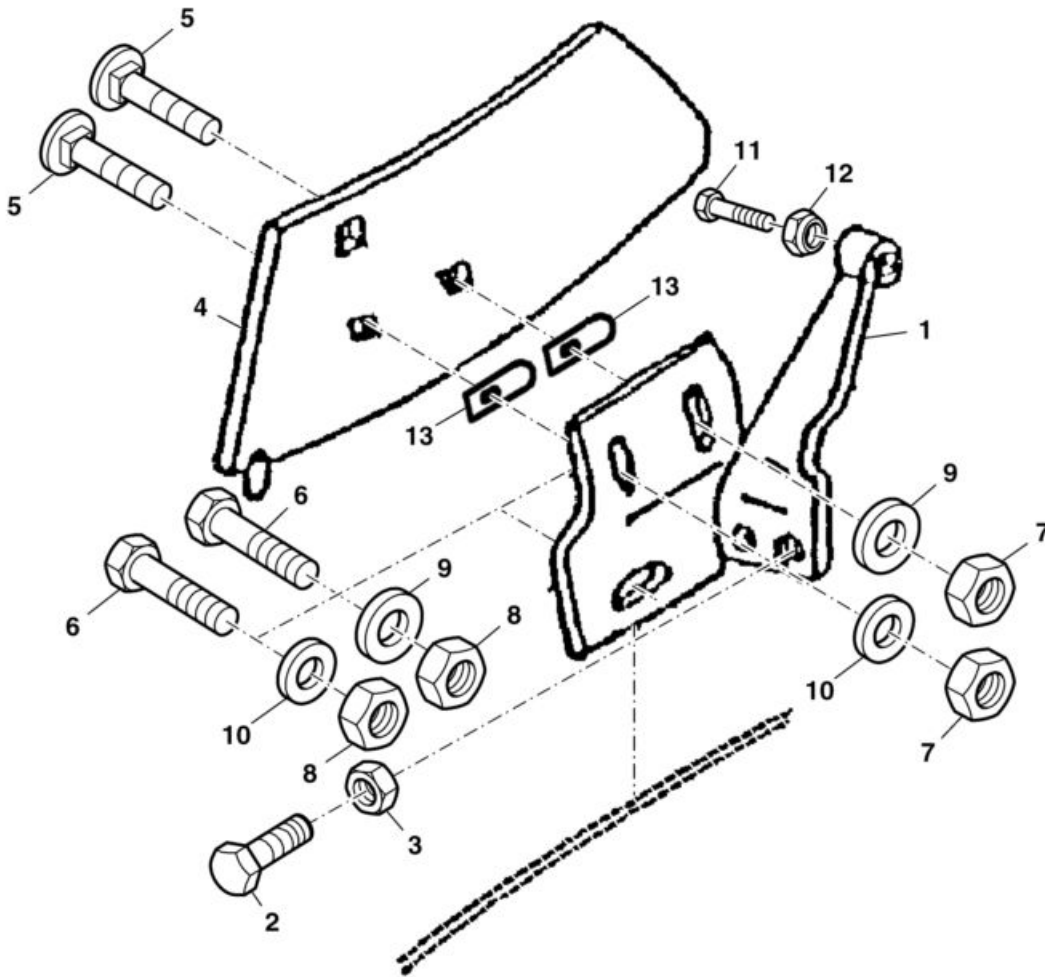


PY57648

| Key | Part No.    | Part Name | Qty. | Serial No. | Remarks  |
|-----|-------------|-----------|------|------------|----------|
| ..  | 5GBG2729003 | Fender    | 1    |            | RH       |
| ..  | 5GBG2729004 | Fender    | 1    |            | LH       |
| 1   | 5GB27290701 | Plate     | 1    |            | RH       |
|     | 5GB27290702 | Plate     | 1    |            | LH       |
| 2   | 5GBVI2830   | Screw     | 1    |            | M16 X 60 |
| 3   | 5GB936D16P  | Nut       | 1    |            | M16      |
| 4   | 5GB27290101 | Ripper    | 1    |            | RH       |
|     | 5GB27290102 | Ripper    | 1    |            | LH       |
| 5   | 5GB27002605 | Screw     | 5    |            | M12 X 35 |
| 6   | 5GB934D12M  | Nut       | 3    |            | M12      |
| 7   | 5GB980DV12M | Lock      | 2    |            |          |
| 8   | 5GB64370001 | Washer    | 2    |            |          |
| 9   | 5GB64366003 | Washer    | 3    |            |          |
| 10  | 5GBVI2824   | Screw     | 1    |            | M10 X 50 |
| 11  | 5GB934D10PA | Nut       | 1    |            | M10      |
| 12  | 5GB27310700 | Washer    | 2    |            |          |
| 13  | 5GB27200500 | Washer    | 2    |            |          |

D  
R  
O  
O  
F  
P  
R  
O  
O  
F

Body  
Корпус  
PY57649 A.1

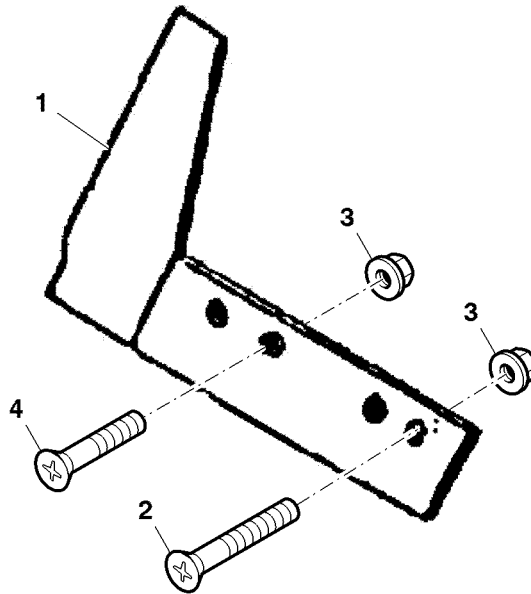


PY57649

| Key | Part No.    | Part Name | Qty. | Serial No. | Remarks  |
|-----|-------------|-----------|------|------------|----------|
| ..  | 5GBG2729018 | Fender    | 1    |            |          |
| ..  | 5GBG2729019 | Fender    | 1    |            |          |
| 1   | 5GB27290701 | Plate     | 1    |            | RH       |
|     | 5GB27290702 | Plate     | 1    |            | LH       |
| 2   | 5GBVI2830   | Screw     | 1    |            | M16 X 60 |
| 3   | 5GB936D16P  | Nut       | 1    |            | M16      |
| 4   | 5GB27290101 | Ripper    | 1    |            | RH       |
|     | 5GB27290102 | Ripper    | 1    |            | LH       |
| 5   | 5GB27002605 | Screw     | 5    |            | M12 X 35 |
| 6   | 5GB27004114 | Bolt      | 2    |            | M12 X 40 |
| 7   | 5GB934D12M  | Nut       | 3    |            | M12      |
| 8   | 5GB980DV12M | Lock      | 2    |            |          |
| 9   | 5GB64370001 | Washer    | 2    |            |          |
| 10  | 5GB64366003 | Washer    | 3    |            |          |
| 11  | 5GBVI2824   | Screw     | 1    |            | M10 X 50 |
| 12  | 5GB934D10PA | Nut       | 1    |            | M10      |
| 13  | 5GB27310700 | Washer    | 2    |            |          |

**Wing Coulter**  
**Крыльчатый сошник**

PY57650 A.1



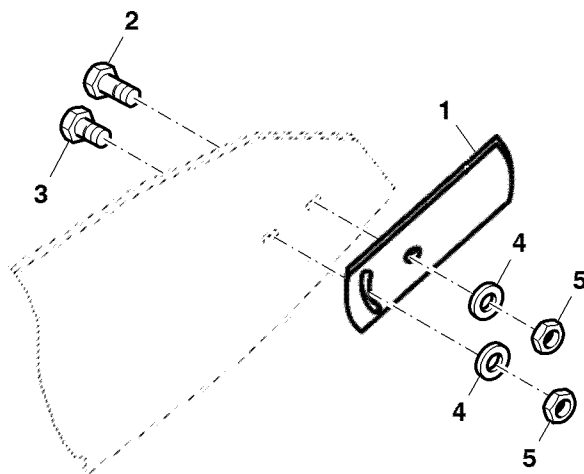
## PY57650

| Key | Part No.     | Part Name   | Qty. | Serial No. | Remarks  |
|-----|--------------|-------------|------|------------|----------|
| 1   | 5GB27511001  | Disk Colter | 1    |            | RH       |
|     | 5GB27511002  | Disk Colter | 1    |            | LH       |
| 2   | 5GB608D1290M | Screw       | 1    |            | M12 X 90 |
| 3   | 5GB934D12N   | Nut         | 2    |            | M12      |
| 4   | 5GB27002610  | Screw       | 1    |            | M12 X 55 |

P  
R  
O  
O  
F

**Extension Mouldboard BP351W**  
**Удлинитель отвала BP351W**

PY57651 A.1

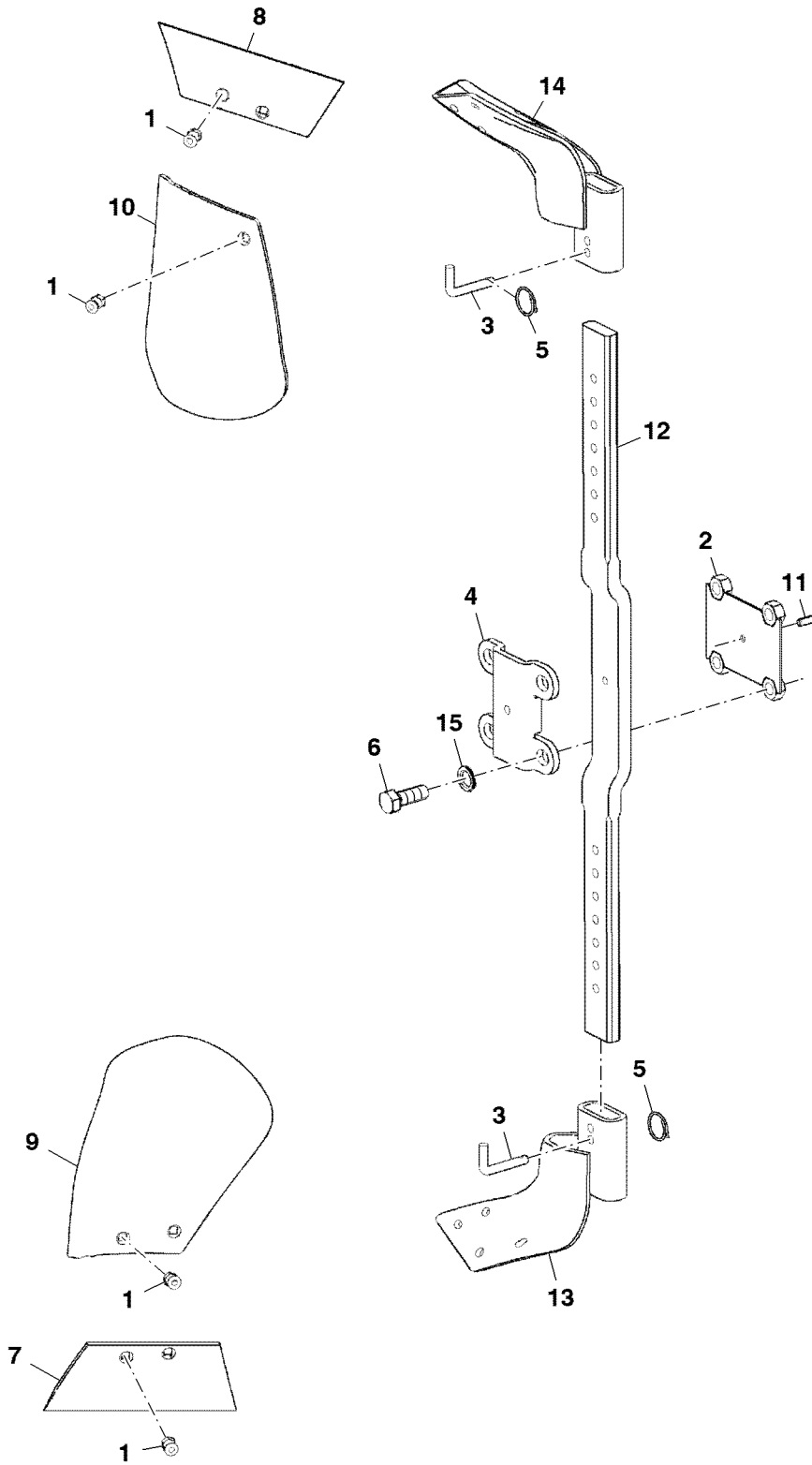


## PY57651

| Key | Part No.     | Part Name | Qty. | Serial No. | Remarks  |
|-----|--------------|-----------|------|------------|----------|
| 1   | 5GB27011901  | Extension | 1    |            | RH       |
|     | 5GB27011902  | Extension | 1    |            | LH       |
| 2   | 5GB27002603  | Screw     | 2    |            | M12 X 30 |
| 3   | 5GB27002610  | Screw     | 2    |            | M12 X 55 |
| 4   | 5GB27200500  | Washer    | 4    |            |          |
| 5   | 5GB980DV12NA | Lock      | 4    |            |          |

Vari - Fix Skimmers Model 212B  
 Предплужники Vari-Fix модели 212B

PY57580 A.1



PY57580

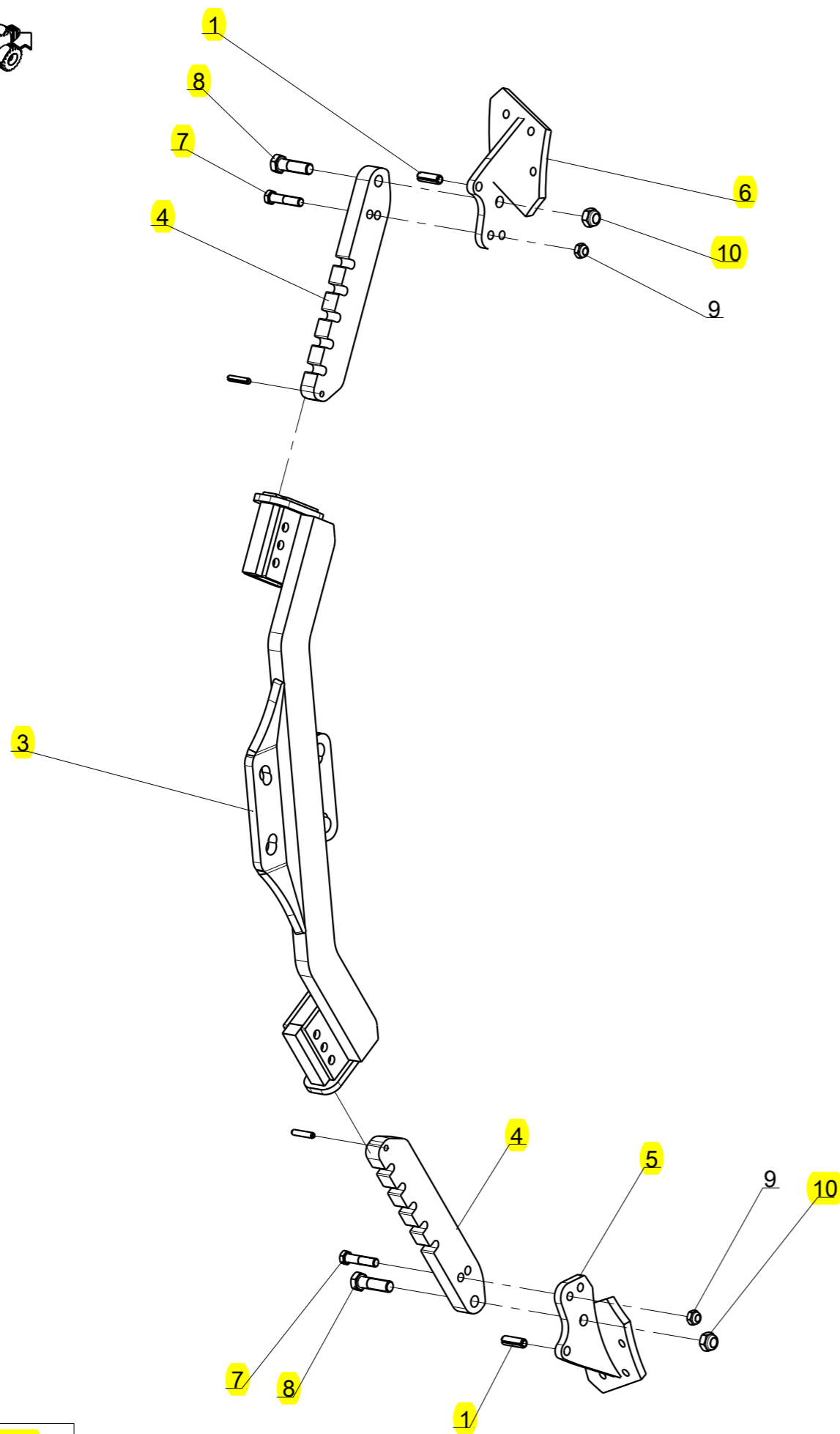


| Key | Part No.     | Part Name  | Qty. | Serial No. | Remarks  |
|-----|--------------|------------|------|------------|----------|
| 1   | 5GBVI1314    | Screw      | 8    |            |          |
| 2   | 5GB27544001  | Lock       | 1    |            |          |
| 3   | 5GB62412902  | Pin        | 2    |            |          |
| 4   | 5GB27542602  | Plate      | 1    |            |          |
| 5   | 5GB66081207  | Clip       | 2    |            |          |
| 6   | 5GBVI2825    | Screw      | 4    |            | M20 X 55 |
| 7   | 5GB27150502  | Plow Share | 1    |            | LH       |
| 8   | 5GB27150501  | Plow Share | 1    |            | RH       |
| 9   | 5GB27150702  | Shin       | 1    |            | LH       |
| 10  | 5GB27150701  | Shin       | 1    |            | RH       |
| 11  | 5GB1481D1030 | Spring     | 1    |            |          |
| 12  | 5GB27543001  | Shaft      | 1    |            |          |
| 13  | 5GB27542902  | Frog       | 1    |            | LH       |
| 14  | 5GB27542901  | Frog       | 1    |            | RH       |
| 15  | 5GB6916D21A  | Washer     | 4    |            |          |

P  
R  
O  
O  
F  
  
P  
R  
O  
O  
F



## Support skimmers Vari Heavy Duty



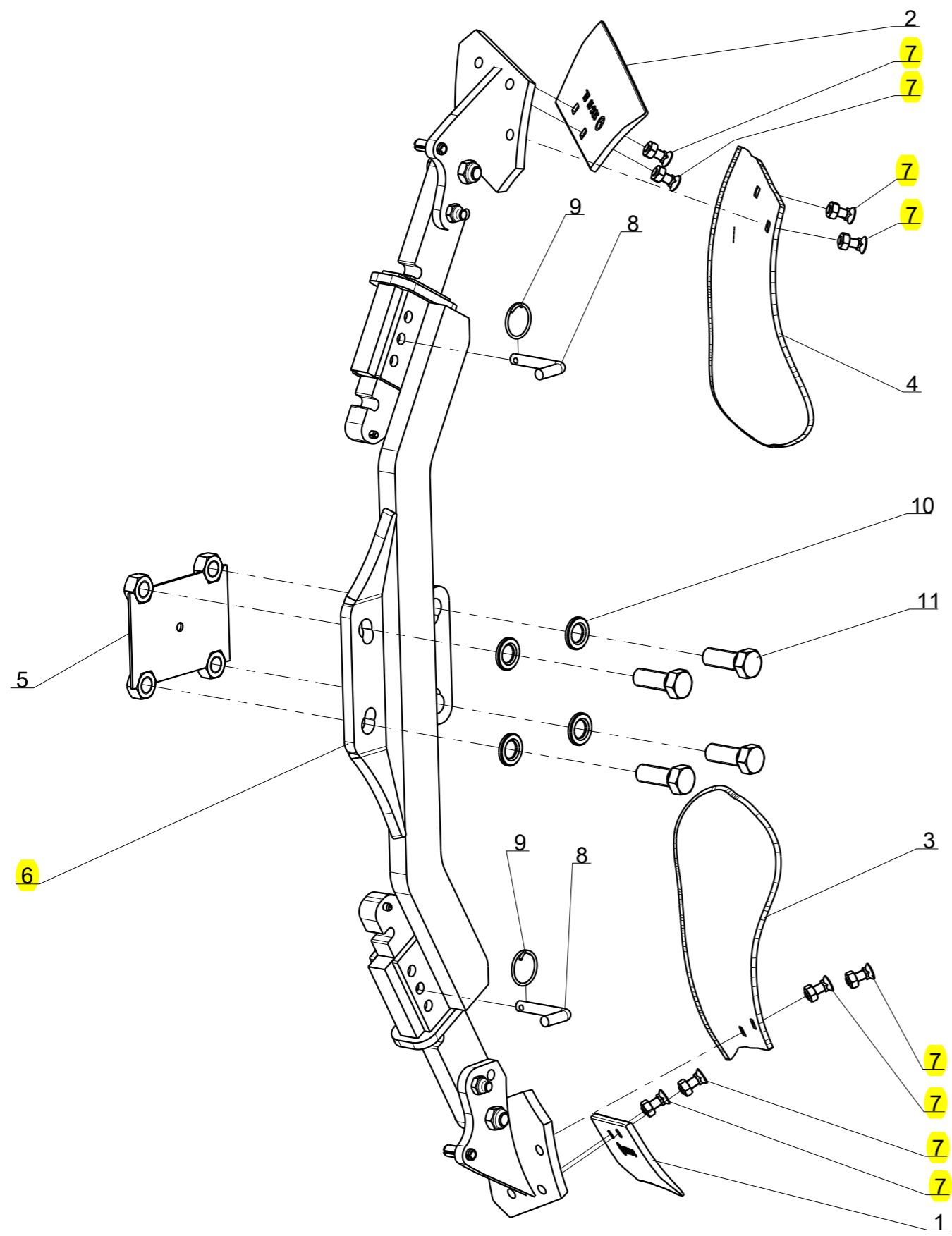
| Repere | Quantite | Reference    | Designation                   |
|--------|----------|--------------|-------------------------------|
| 1      | 2        | 5GB14811340A | Spring Pin 13 X 40 ISO8752 Z  |
| 2      | 2        | 5GB1481D840A | Spring Pin 8 X 40 ISO8752 Z   |
| 3      | 1        | 5GB27544232  | Support skimmer               |
| 4      | 2        | 5GB27544239  | Skimmer leg 350 mm            |
| 5      | 1        | 5GB27544244  | Skimmer bracket, R.H.         |
| 6      | 1        | 5GB27544245  | Skimmer bracket, R.H.         |
| 7      | 2        | 5GB9311255NA | Hex. Screw M12 x 55 Zinc 10.9 |
| 8      | 2        | 5GB9311655NA | Hex. Screw M16 x 55 Zinc 10.9 |
| 9      | 2        | 5GBVJ 322    | Nyloc nut std H M 12 - 8 ZNBL |
| 10     | 2        | 5GBVJ 324    | Nyloc nut std H M 16 - 8 ZNBL |

5GB27544231

05-Jun-15

Revision : B  
Ma J : 30-Oct-15

# Skimmer VHD 212 B cpl.



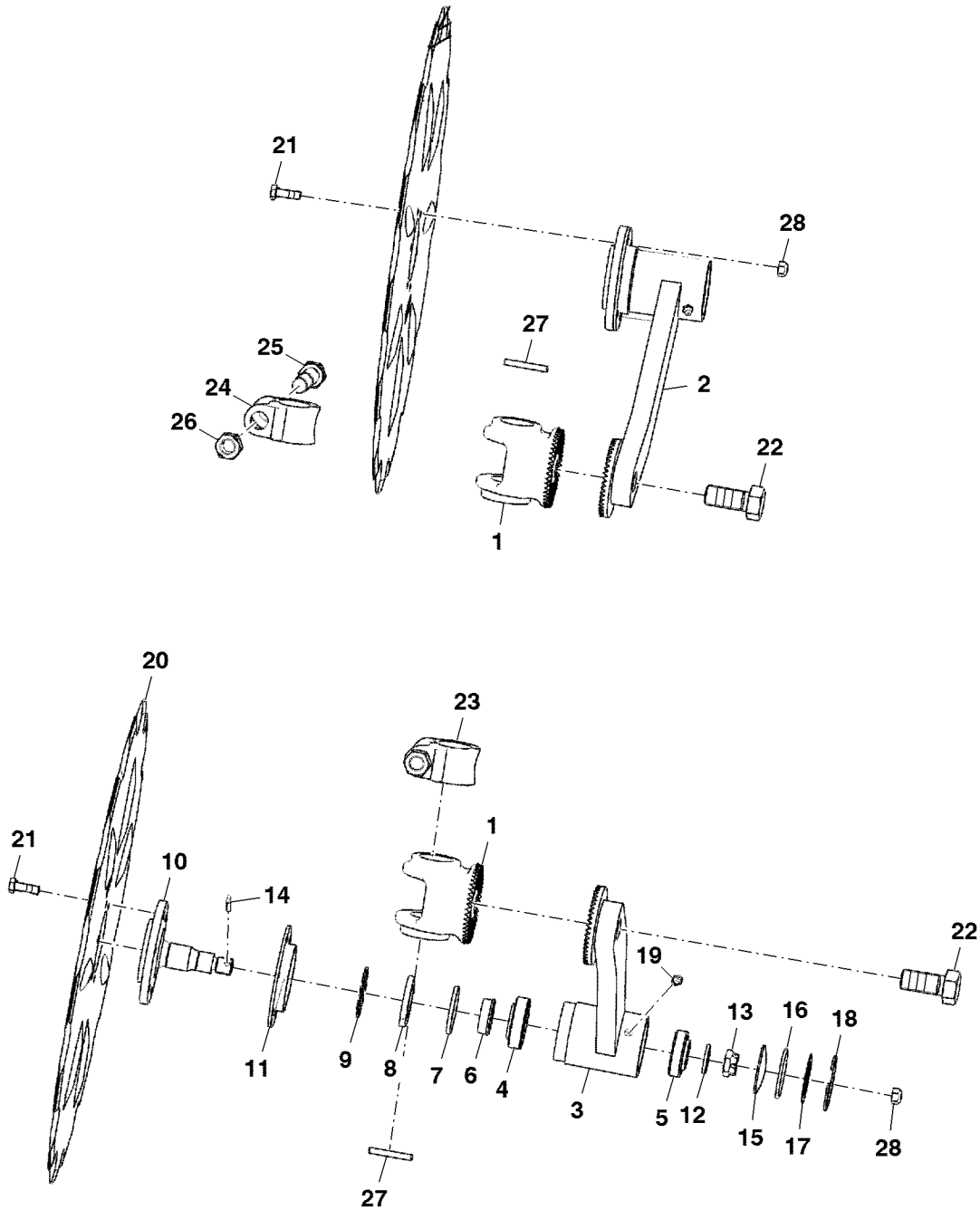
| Repere | Quantite | Reference    | Designation                      |
|--------|----------|--------------|----------------------------------|
| 1      | 1        | 5GB27150501  | Skimmer share R.H.               |
| 2      | 1        | 5GB27150502  | Skimmer share L.H.               |
| 3      | 1        | 5GB27150701  | Skimmer shin R.H.                |
| 4      | 1        | 5GB27150702  | Skimmer shin L.H.                |
| 5      | 1        | 5GB27544001  | Lock plate                       |
| 6      | 1        | 5GB27544231  | Support skimmers Vari Heavy Duty |
| 7      | 8        | 5GB6081030PA | Bolt 608-8.8 Z M10x30+MU         |
| 8      | 2        | 5GB62412902  | Pin TB-12x50                     |
| 9      | 2        | 5GB66081207  | Circlip                          |
| 10     | 4        | 5GB6916D21A  | Washer 21 Z                      |
| 11     | 4        | 5GBVI 28 25  | Screw H M20x 55 - 8.8 ZNBL       |

5GB27544230

04-Jun-15  
Revision : B  
Ma J : 12-Nov-15

Kilt Coulter DOK D510 (Pair)  
Комплект сошников DOK D510 (пара)

PY57581 A.1



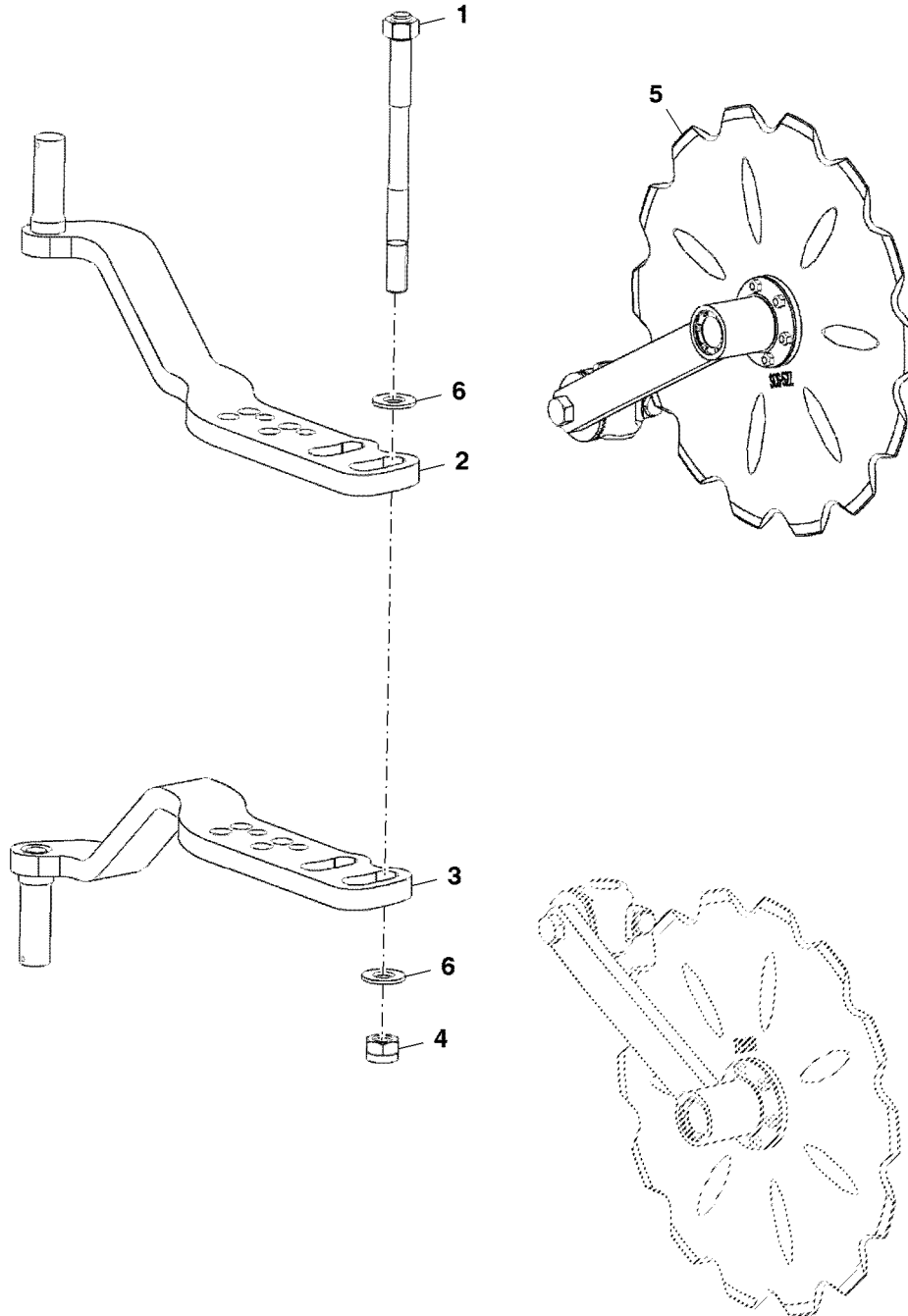
PY57581

| Key | Part No.     | Part Name              | Qty. | Serial No. | Remarks  |
|-----|--------------|------------------------|------|------------|----------|
| 1   | 5GB72102600  | Bracket                | 2    |            |          |
| 2   | 5GB72102902  | Arm                    | 2    |            |          |
| 3   | 5GB72102802  | Arm                    | 1    |            |          |
| 4   | 5GB720D30205 | Tapered Roller Bearing | 1    |            |          |
| 5   | 5GB720D30204 | Tapered Roller Bearing | 1    |            |          |
| 6   | 5GB72090007  | Spacer                 | 1    |            |          |
| 7   | 5GB72090008  | Cover                  | 1    |            |          |
| 8   | 5GB72090006  | Washer                 | 1    |            |          |
| 9   | 5GB72090004  | Spacer                 | 1    |            |          |
| 10  | 5GB72090800  | Axle                   | 1    |            |          |
| 11  | 5GB72090005  | Cap                    | 1    |            |          |
| 12  | 5GB126D175A  | Washer                 | 1    |            |          |
| 13  | 5GB937D1615P | Nut                    | 1    |            | M16      |
| 14  | 5GB94D425A   | Pin                    | 1    |            |          |
| 15  | 5GB470D50    | End                    | 1    |            |          |
| 16  | 5GB72090009  | Seal                   | 1    |            |          |
| 17  | 5GB72090010  | Washer                 | 1    |            |          |
| 18  | 5GB984D522   | Clip                   | 1    |            |          |
| 19  | 5GBVM214     | Screw                  | 1    |            |          |
| 20  | 5GB72090102  | Disk Colter            | 2    |            |          |
| 21  | 5GB933D825NA | Screw                  | 12   |            | M8 X 25  |
| 22  | 5GBVI2826    | Screw                  | 2    |            | M20 X 45 |
| 23  | 5GB72090011  | Ring                   | 2    |            |          |
| 24  | 5GB72092800  | Ring                   | 1    |            |          |
| 25  | 5GBVI3132    | Screw                  | 1    |            | M16 X 75 |
| 26  | 5GB934D16PA  | Nut                    | 1    |            | M16      |
| 27  | 5GB1481D645A | Spring                 | 2    |            |          |
| 28  | 5GB980DV8NA  | Nut                    | 12   |            | M8       |

P R O O F

Disc Coultter Fix W / Notched Disk Diameter 500  
 Крепление дискового сошника с зубчатым диском диаметром 500

PY57582 A.1

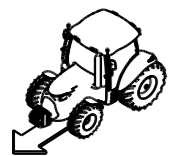


PY57582

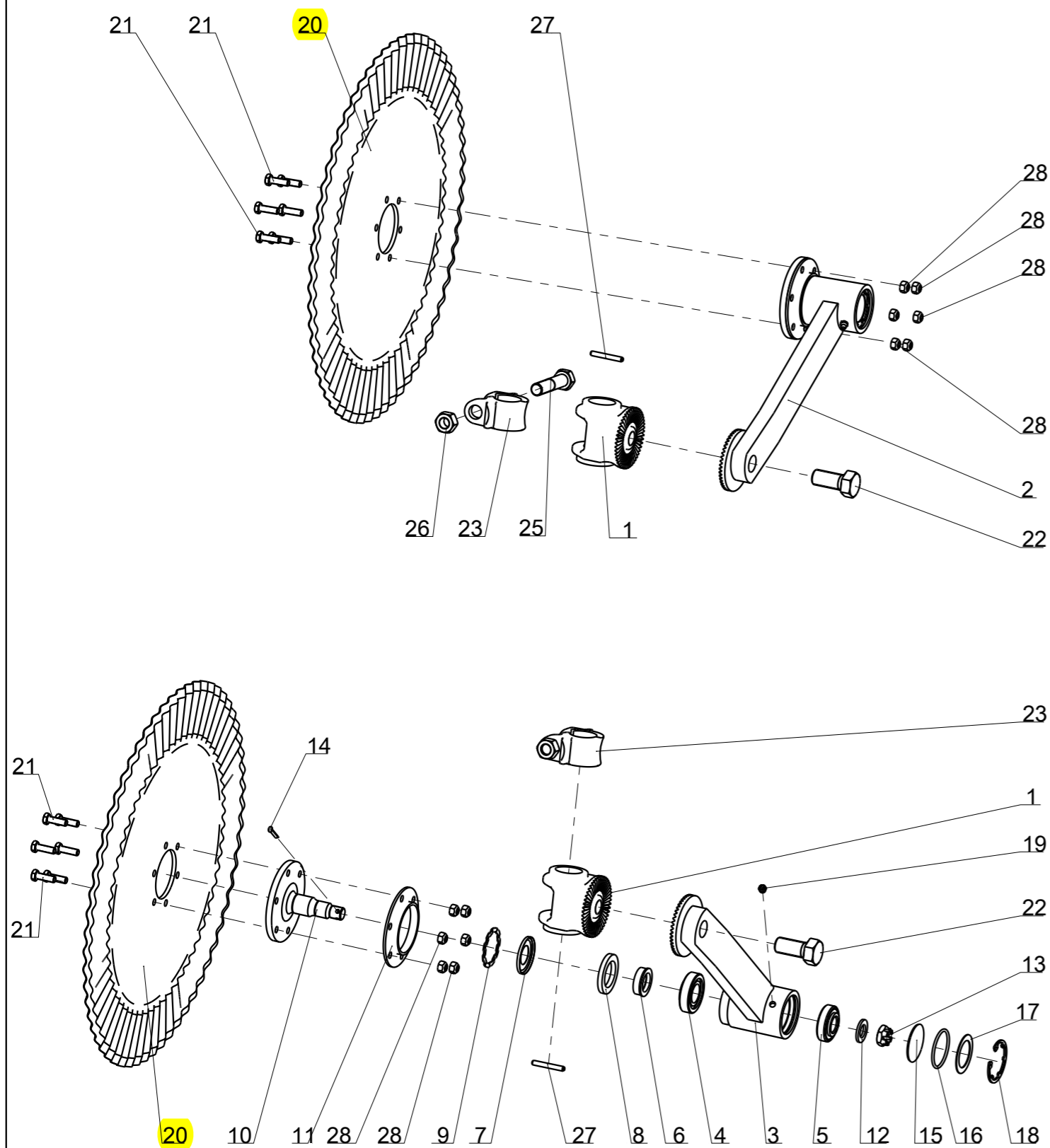


| Key | Part No.    | Part Name    | Qty. | Serial No. | Remarks   |
|-----|-------------|--------------|------|------------|-----------|
| 1   | 5GB47880851 | Axle         | 2    |            | M24 X 305 |
| 2   | 5GB47880860 | Support      | 1    |            | LH        |
| 3   | 5GB47880865 | Support      | 1    |            | RH        |
| 4   | 5GB985D24PA | Nut          | 2    |            | M24       |
| 5   | 5GBG7210185 | Colter Knife | 1    |            |           |
| 6   | 5GBVK510    | Washer       | 4    |            |           |

P  
R  
O  
O  
F  
  
P  
R  
O  
O  
F



**Kit Disc coulter fixed, Fluted disc 20" 6 holes**



| Repere | Niveau | Quantite | Reference     | Designation                        |
|--------|--------|----------|---------------|------------------------------------|
| 1      | 2      | 2        | 5GB7210.26.00 | Bracket                            |
| 2      | 2      | 2        | 5GB7210.29.02 | Arm disc coulter complet           |
| 3      | 3      | 1        | 5GB7210.28.02 | Arm disc coulter                   |
| 4      | 3      | 1        | 5GB720D30205  | conical roller bearing-720 30205   |
| 5      | 3      | 1        | 5GB720D30204  | conical roller bearing-720 30204   |
| 6      | 3      | 1        | 5GB7209.00.07 | Spacer ring                        |
| 7      | 3      | 1        | 5GB7209.00.08 | Nilosring                          |
| 8      | 3      | 1        | 5GB7209.00.06 | Washer                             |
| 9      | 3      | 1        | 5GB7209.00.04 | Spacer                             |
| 10     | 3      | 1        | 5GB7209.08.00 | Axle                               |
| 11     | 3      | 1        | 5GB7209.00.05 | Dust cap                           |
| 12     | 3      | 1        | 5GB126D17.5A  | Washer 17,5 ISO7091 ZNBL           |
| 13     | 3      | 1        | 5GB937D1615P  | Castellated nut M16x1,5 DIN937-8.8 |
| 14     | 3      | 1        | 5GB94D425A    | Cotter pin 4x 25 ISO1234 Z         |
| 15     | 3      | 1        | 5GB470 D50    | End lid                            |
| 16     | 3      | 1        | 5GB7209.00.09 | O-seal                             |
| 17     | 3      | 1        | 5GB7209.00.10 | Washer                             |
| 18     | 3      | 1        | 5GB984 D522   | Circlip seeger                     |
| 19     | 3      | 1        | 5GBVM 214     | Grease nipple - M8, thread100      |
| 20     | 2      | 2        | 5GB7214.00.01 | Fluted coulter blade 20" 6 holes   |
| 21     | 2      | 12       | 5GB933D825NA  | Hex. Screw M8x25 ISO4017-10.9 Zinc |
| 22     | 2      | 2        | 5GBVI 28 26   | Screw H M20x 45 - 8.8 ZNBL         |
| 23     | 2      | 2        | 5GB7209.00.11 | Complet clamping ring UW-44        |
| 24     | 3      | 1        | 5GB7209.28.00 | Clamping ring                      |
| 25     | 3      | 1        | 5GBVI 31 32   | Screw H M16x 75 - 8.8 ZNBL         |
| 26     | 3      | 1        | 5GB934D16PA   | Nut std H M16 - thread 200 Zingue  |
| 27     | 2      | 2        | 5GB1481D645A  | Spring Pin 6 X 45 ISO8752 Z        |
| 28     | 2      | 12       | 5GB980DV8NA   | Nut M8 Zinc 10.9                   |

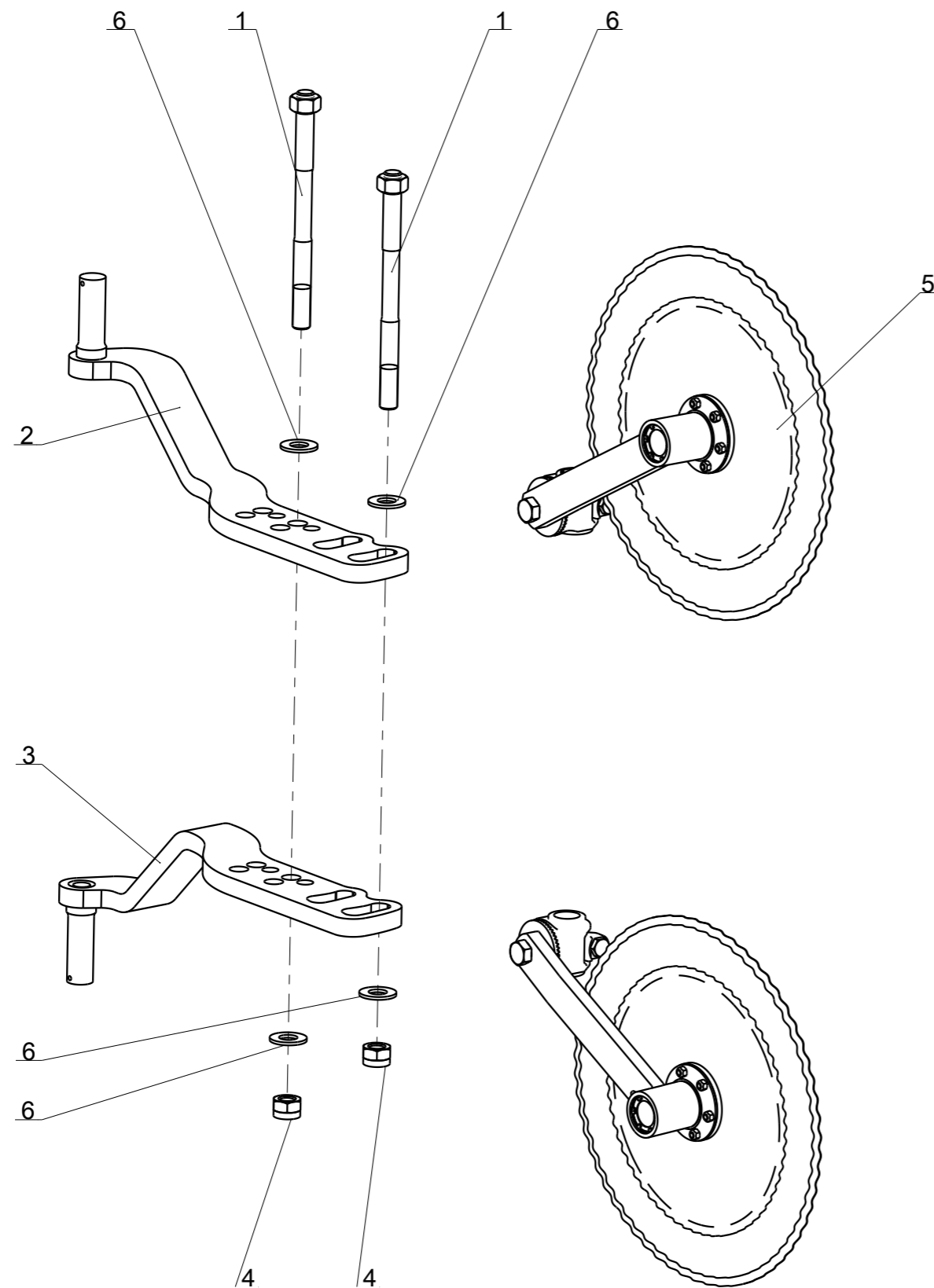
5GBG7210/250

24-Mar-15

Revision : A  
M a J :



## Disc coultter fixed with fluted disc 20" 6 holes

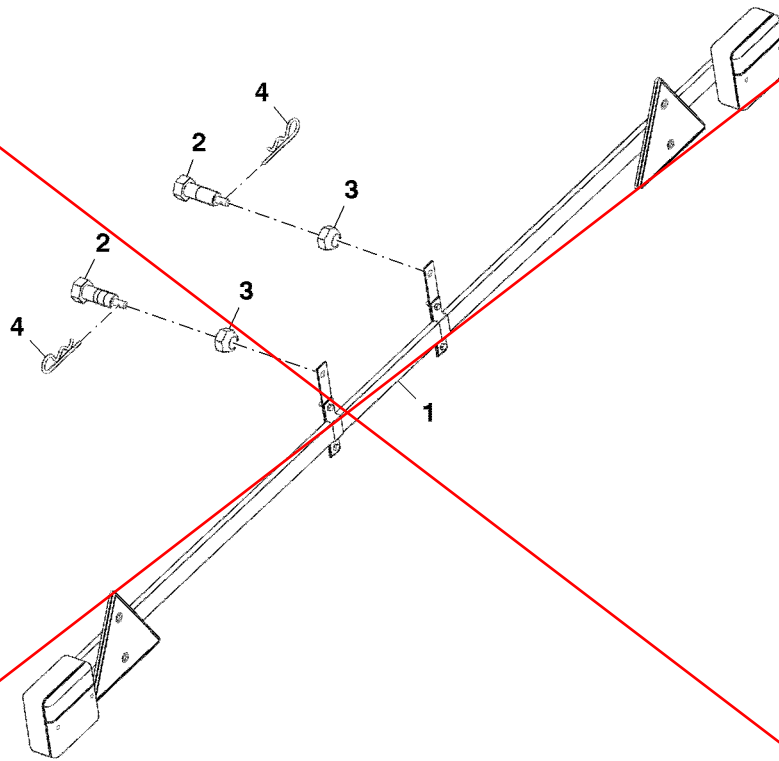


| <i>Index / Справка</i> | <i>Qty</i> | <i>Reference</i>    | <i>Designation</i>                                      |
|------------------------|------------|---------------------|---|
| 1                      | 2          | 5GB4788.08.51       | Axle M24x305  |
| 2                      | 1          | 5GB4788.08.60       | Support disc coultter L.H.                              |
| 3                      | 1          | 5GB4788.08.65       | Support disc coultter R.H.                              |
| 4                      | 2          | 5GB985D24PA         | Nut HFR M24 - 8 ZNBL                                    |
| <b>5</b>               | <b>1</b>   | <b>5GBG7210/250</b> | <b>Kit Disc coultter fixed, Fluted disc 20" 6 holes</b> |
| 6                      | 4          | 5GBVK 510           | Flat washer MU24 ZNBL                                   |



**Rear Lighting Kit, in-furrow Plow**  
**Комплект заднего освещения, пflug для работы в борозде**

PY57583 A.1

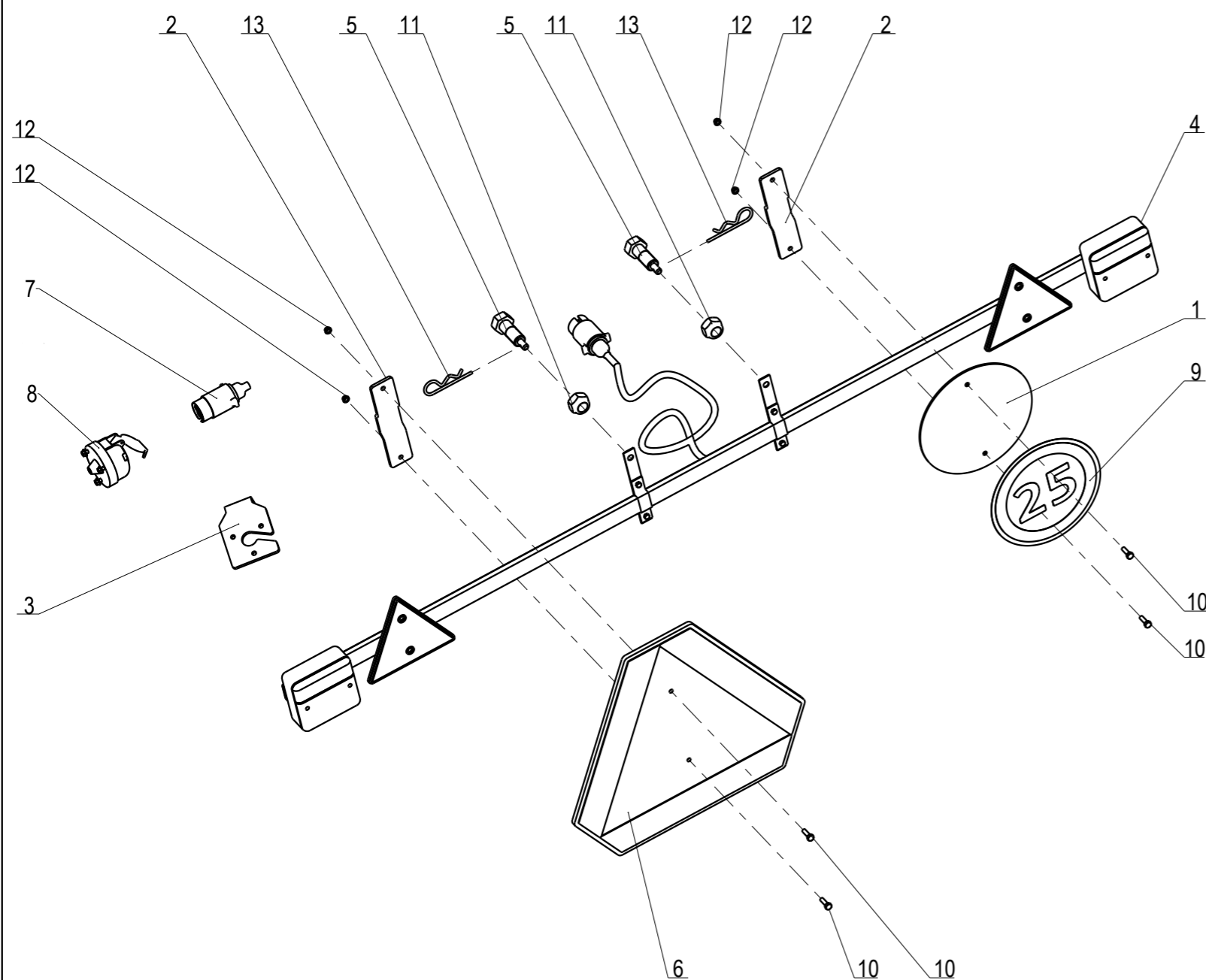


PY57583

| Key | Part No.   | Part Name | Qty. | Serial No. | Remarks  |
|-----|------------|-----------|------|------------|----------|
| 1   | 5GB1221216 | Trailer   | 1    |            |          |
| 2   | 5GB1291128 | Screw     | 2    |            | M20 X 70 |
| 3   | 5GBVJ327   | Nut       | 2    |            | M20      |
| 4   | 5GBVL002   | Clip      | 2    |            |          |

P  
R  
O  
O  
F

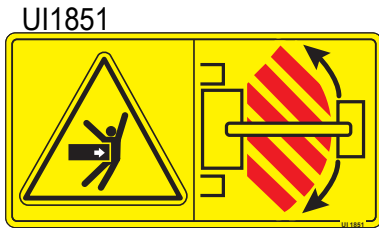
# Rear lighting kit, M20



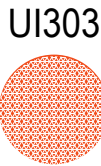
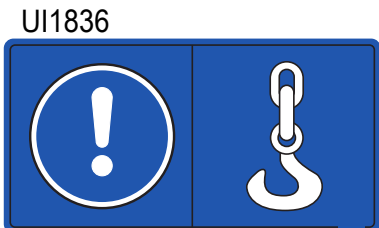
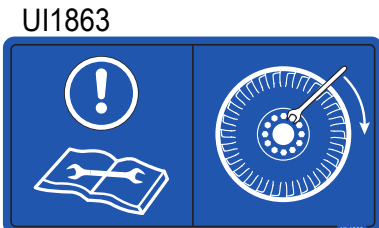
| Repere | Quantité | Reference      | Designation                               |
|--------|----------|----------------|---|
| 1      | 1        | 5GB1 214 186   | Support Adhesive 25km/h                   |
| 2      | 2        | 5GB1 214 192   | Flange                                    |
| 3      | 1        | 5GB1 214 198   | 7 pin plug holder                         |
| 4      | 1        | 5GB1 214 199   | Rear trailer board                        |
| 5      | 2        | 5GB1 291 128   | Special screw for lighting board H M20x70 |
| 6      | 1        | 5GB6103.16.65  | triangle signaling                        |
| 7      | 1        | 5GB850 100 385 | Male electrical outlet                    |
| 8      | 1        | 5GB850 101 785 | Electrical outlet, 7 pin, female          |
| 9      | 1        | 5GB9998.25.04  | Adhesive 25km/h Russia                    |
| 10     | 4        | 5GBVI 26 03    | Screw H M6x 20 - 8.8 ZNBL                 |
| 11     | 2        | 5GBVJ 327      | Nyloc nut std H M 20 - 8 ZNBL             |
| 12     | 4        | 5GBVJ 340      | Nyloc nut std H M 6 - 8 ZNBL              |
| 13     | 2        | 5GBVL 002      | R Clip - 4, Z                             |

# Stickers for ploughs 3810F

## Safety stickers

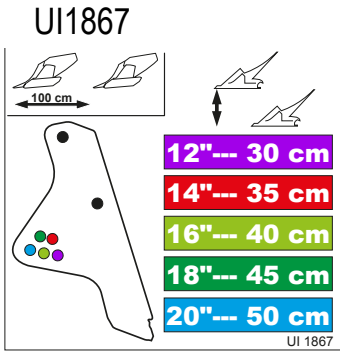


## Informations stickers



# Stickers for ploughs 3810F

## Stickers



48059232



3810 "In Furrow" models (Left side)

48059200 6-furrows



48059201 7-furrows



48059202 8-furrows



48059203 9-furrows



3810 "In Furrow" models (Right side)

48059204 6-furrows



48059205 7-furrows



48059206 8-furrows



48059207 9-furrows



Complete kit stickers 5 & 6 furrows: 48059101

Complete kit stickers 7 furrows : 48059105

Complete kit stickers 8 furrows : 48059108

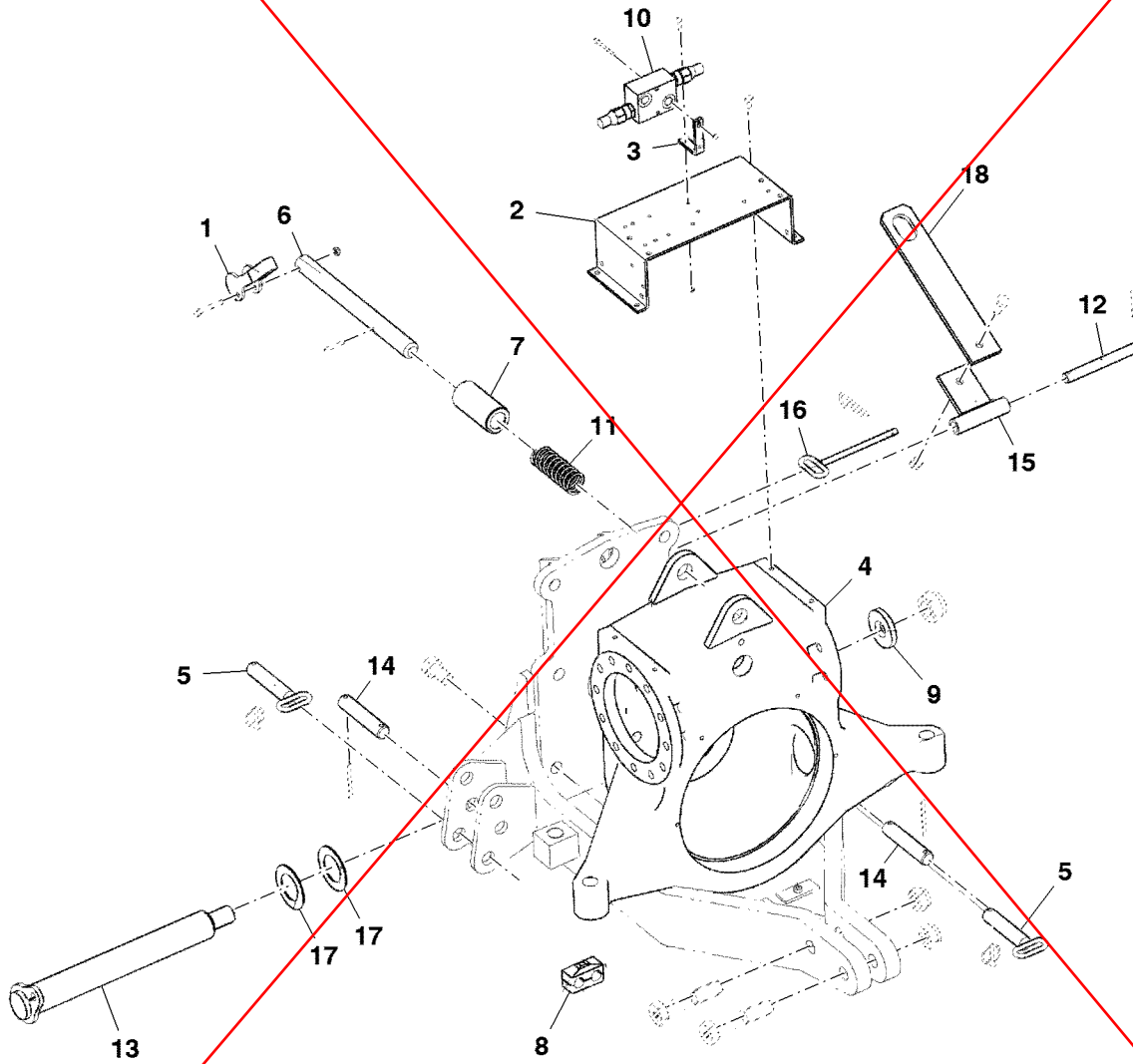
Complete kit stickers 9 furrows : 48059109

P  
R  
O  
O  
F  
  
P  
R  
O  
O  
F

Turnover W / O Selector, on-land Plow (1/4)

Механизм поворота без селектора, плуг для работы вне борозды (1/4)

PY57588 A.1



PY57588

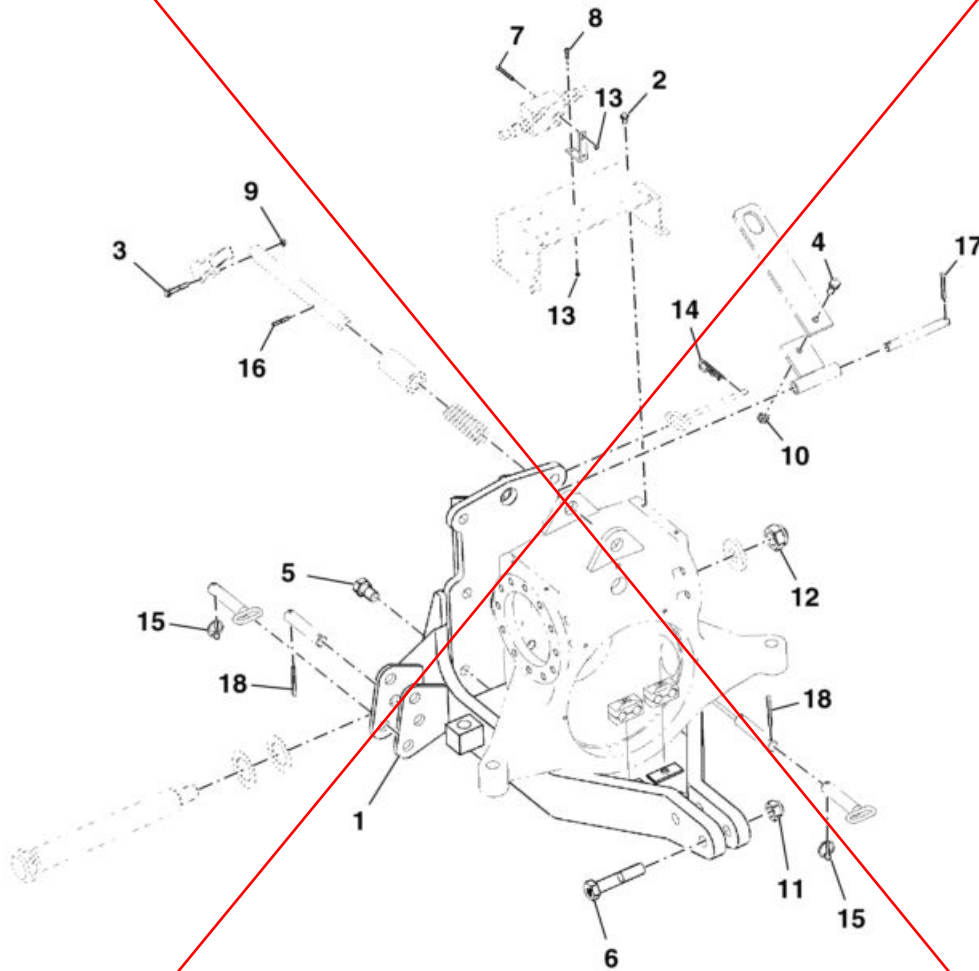
| Key | Part No.    | Part Name              | Qty. | Serial No. | Remarks           |
|-----|-------------|------------------------|------|------------|-------------------|
| 1   | 5GB1123115  | Handle                 | 1    |            |                   |
|     | 5GB1212149  | Hydraulic Cylinder Kit | 1    |            |                   |
| 2   | 5GB1223112  | Support                | 1    |            |                   |
| 3   | 5GB1223115  | Support                | 1    |            |                   |
| 4   | 5GB1223152U | Stud                   | 1    |            |                   |
| 5   | 5GB1223164  | Leg                    | 2    |            |                   |
| 6   | 5GB1223173  | Lock                   | 1    |            |                   |
| 7   | 5GB1223211  | Socket                 | 1    |            |                   |
| 8   | 5GB1235106  | Hose                   | 2    |            |                   |
| 9   | 5GB122106   | Washer                 | 1    |            | 30.5 X 70 X 10 mm |
| 10  | 5GB122221   | Valve                  | 1    |            |                   |
| 11  | 5GB122224   | Spring                 | 1    |            |                   |
| 12  | 5GB122249   | Bracket                | 1    |            |                   |
| 13  | 5GB122250   | Pin                    | 1    |            |                   |
| 14  | 5GB122253   | Leg                    | 2    |            |                   |
| 15  | 5GB122273   | Latch                  | 1    |            |                   |
| 16  | 5GB122292   | Pin                    | 1    |            |                   |
| 17  | 5GB122295   | Washer                 | 2    |            | 50.5 X 82 X 2 mm  |
| 18  | 5GB122373   | Latch                  | 1    |            |                   |

DRAFT OF PROOF

Turnover W / O Selector, on-land Plow (2/4)

Механизм поворота без селектора, плуг для работы вне борозды (2/4)

PY57589 A.1



PY57589





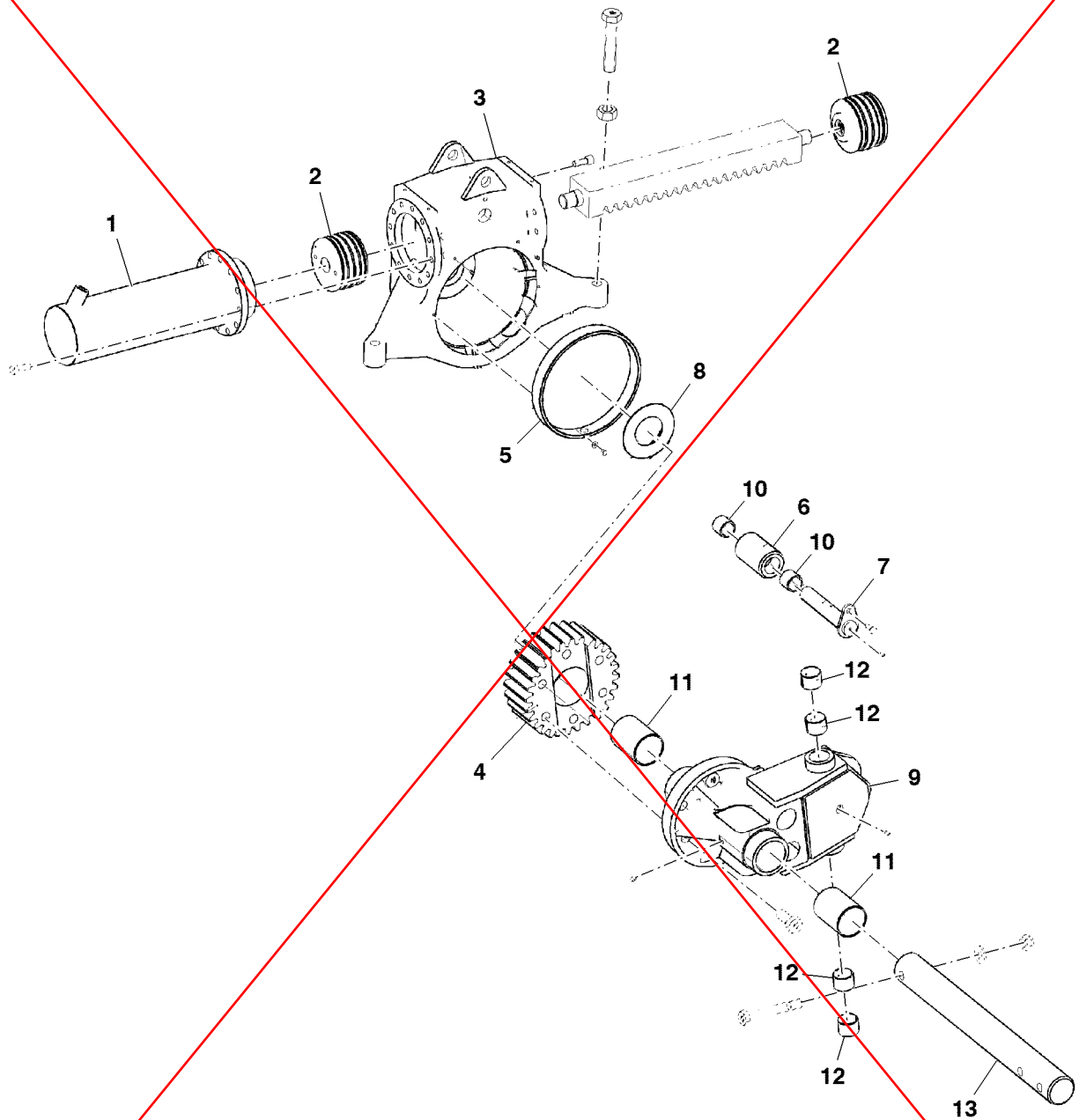
| Key | Part No.  | Part Name | Qty. | Serial No. | Remarks   |
|-----|-----------|-----------|------|------------|-----------|
| 1   | 5GB122375 | Frame     | 1    |            |           |
| 2   | 5GBVI2703 | Nut       | 4    |            | M8 X 16   |
| 3   | 5GBVI2710 | Screw     | 1    |            | M8 X 50   |
| 4   | 5GBVI2905 | Screw     | 1    |            | M12 X 35  |
| 5   | 5GBVI3401 | Screw     | 6    |            | M22 X 40  |
| 6   | 5GBVI3506 | Screw     | 2    |            | M24 X 120 |
| 7   | 5GBVI4828 | Screw     | 2    |            | M5 X 50   |
| 8   | 5GBVI4832 | Screw     | 2    |            | M8 X 20   |
| 9   | 5GBVJ320  | Nut       | 1    |            | M8        |
| 10  | 5GBVJ322  | Nut       | 1    |            | M12       |
| 11  | 5GBVJ331  | Nut       | 2    |            | M24       |
| 12  | 5GBVJ335  | Nut       | 1    |            | M30       |
| 13  | 5GBVJ339  | Nut       | 4    |            | M5        |
| 14  | 5GBVL002  | Clip      | 1    |            |           |
| 15  | 5GBVL101  | Pin       | 2    |            |           |
| 16  | 5GBVL214  | Pin       | 1    |            |           |
| 17  | 5GBVL414  | Pin       | 2    |            |           |
| 18  | 5GBVL415  | Pin       | 4    |            |           |

P  
R  
O  
O  
F  
  
O  
F  
  
P  
R  
O  
O  
F

## Turnover W / O Selector, on-land Plow (3/4)

Механизм поворота без селектора, пflug для работы вне борозды (3/4)

PY57590 A.1



PY57590

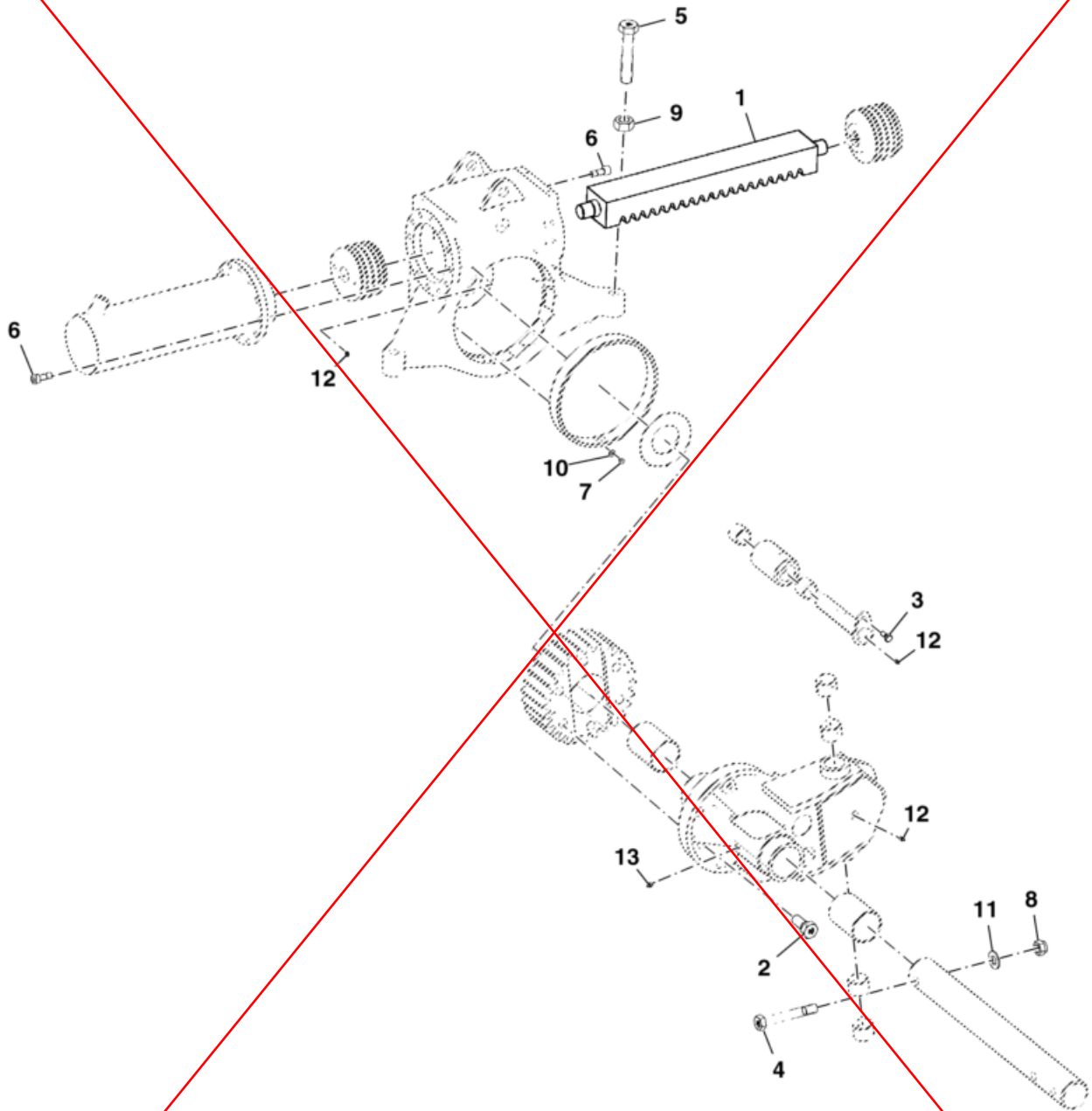
| Key | Part No.    | Part Name              | Qty. | Serial No. | Remarks           |
|-----|-------------|------------------------|------|------------|-------------------|
| ..  | 5GB1212149  | Hydraulic Cylinder Kit | 1    |            |                   |
| 1   | 5GB1223116  | Stud                   | 2    |            |                   |
| 2   | 5GB1223117  | Piston                 | 2    |            |                   |
| 3   | 5GB1223152U | Stud                   | 1    |            |                   |
| 4   | 5GB1223155  | Pinion                 | 1    |            |                   |
| 5   | 5GB1223156  | Bushing                | 1    |            |                   |
| 6   | 5GB1223157  | Rack                   | 1    |            |                   |
| 7   | 5GB1223158  | Pin                    | 1    |            |                   |
| 8   | 5GB1223194  | Washer                 | 1    |            | 85.5 X 160 X 2 mm |
| 9   | 5GB1223401  | Pinion                 | 1    |            |                   |
| 10  | 5GB1291306  | Wheel                  | 2    |            |                   |
| 11  | 5GB122231   | Bushing                | 2    |            |                   |
| 12  | 5GB122246   | Bushing                | 4    |            |                   |
| 13  | 5GB122251   | Shaft                  | 1    |            |                   |

PROOF

Turnover W / O Selector, on-land Plow (4/4)

Механизм поворота без селектора, плуг для работы вне борозды (4/4)

PY57591 A.1



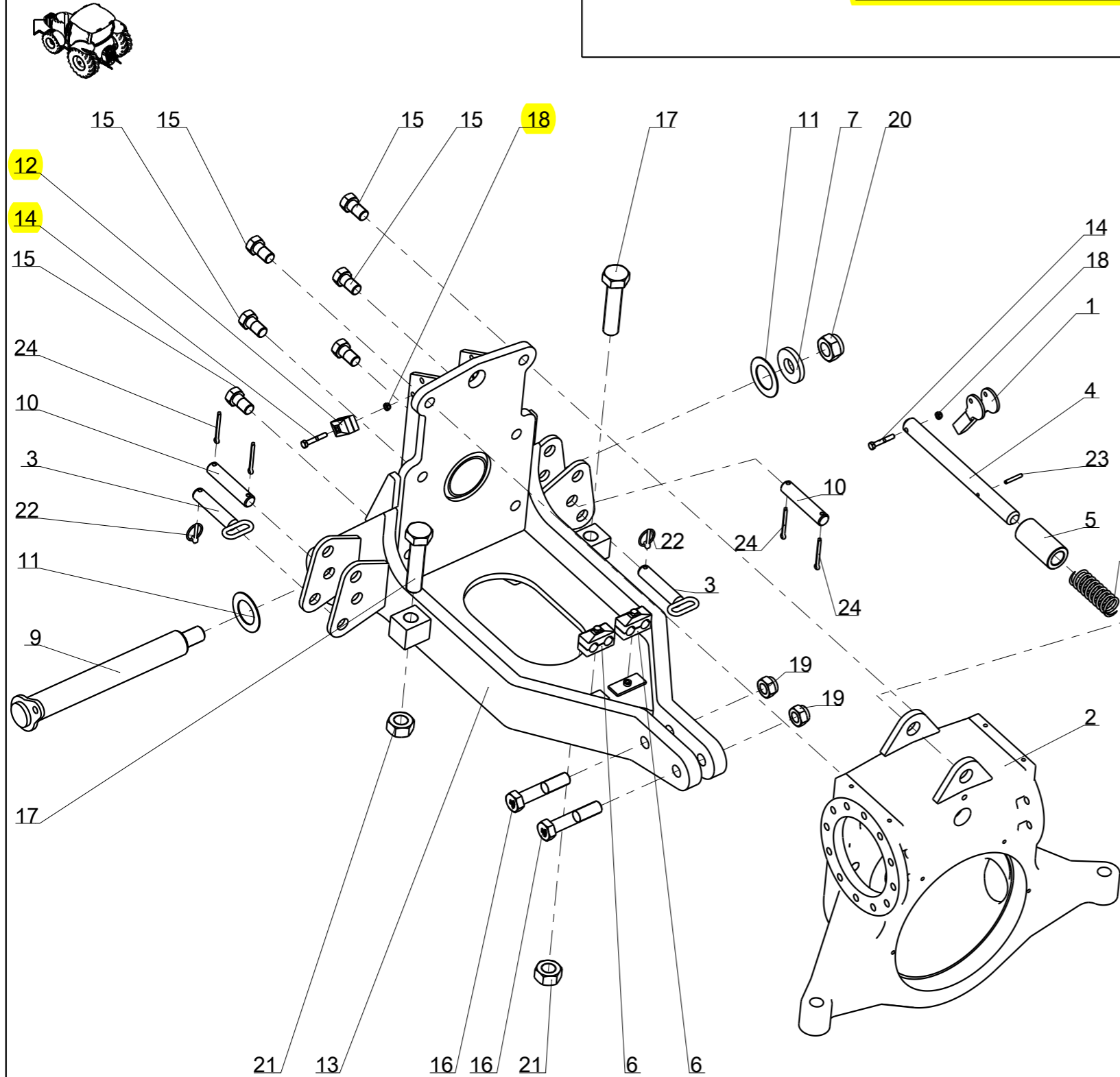
PY57591



| Key | Part No.  | Part Name | Qty. | Serial No. | Remarks   |
|-----|-----------|-----------|------|------------|-----------|
| 1   | 5GB122256 | Rack      | 1    |            |           |
| 2   | 5GB122265 | Screw     | 6    |            | M27 X 60  |
| 3   | 5GBVI2433 | Screw     | 1    |            | M12 X 22  |
| 4   | 5GBVI3515 | Screw     | 1    |            | M24 X 70  |
| 5   | 5GBVI4701 | Screw     | 2    |            | M30 X 160 |
| 6   | 5GBVI4824 | Screw     | 24   |            | M16 X 40  |
| 7   | 5GBVI4902 | Screw     | 2    |            | M8 X 12   |
| 8   | 5GBVJ331  | Nut       | 1    |            | M24       |
| 9   | 5GBVJ626  | Nut       | 2    |            | M30       |
| 10  | 5GBVK502  | Washer    | 2    |            |           |
| 11  | 5GBVK510  | Washer    | 1    |            |           |
| 12  | 5GBVM201  | Grease    | 4    |            | M8        |
| 13  | 5GBVM205  | Grease    | 1    |            | M10       |

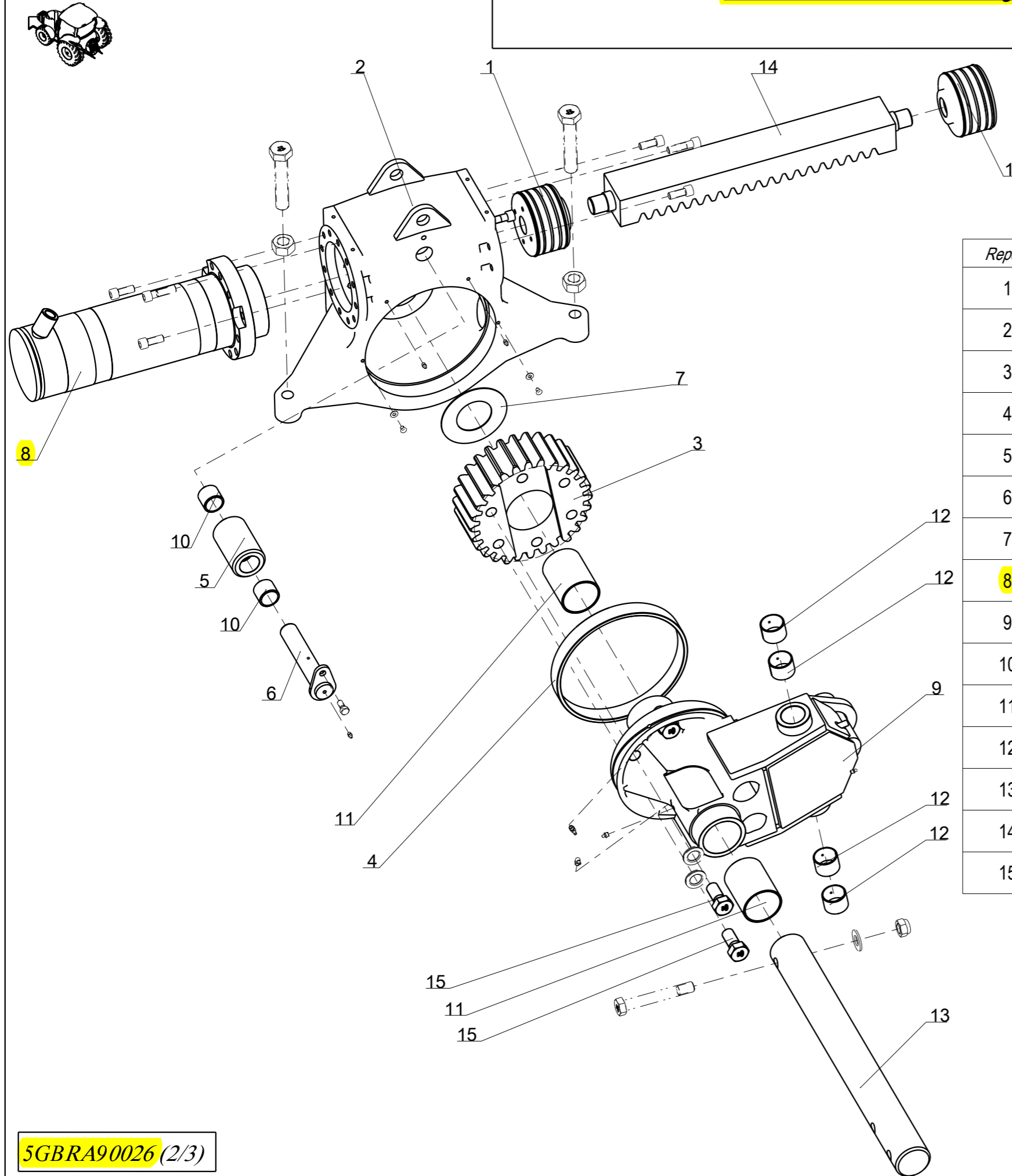
P  
R  
O  
O  
F  
  
P  
R  
O  
O  
F

## Turnover Semi-mounted single wheel



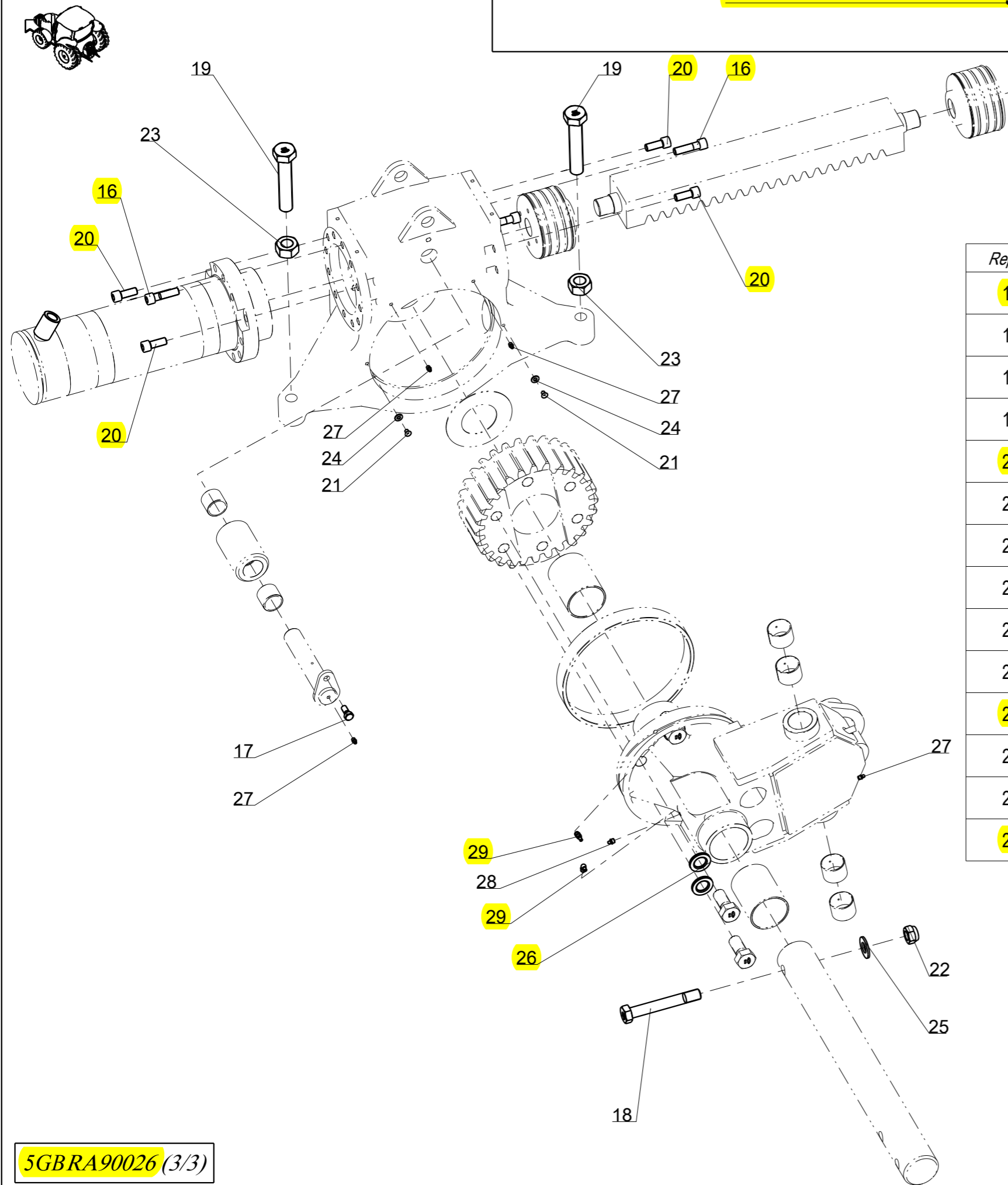
| Repere | Quantite | Reference      | Designation   |
|--------|----------|----------------|---|
| 1      | 1        | 5GB1 123 115   | Handle for transport pin                                  |
| 2      | 1        | 5GB1 223 152 U | headstock casting   |
| 3      | 2        | 5GB1 223 164   | Parking leg pin   |
| 4      | 1        | 5GB1 223 173   | Transport lock pin  |
| 5      | 1        | 5GB1 223 211   | Socket (transport lock)                                   |
| 6      | 2        | 5GB1 235 106   | Double hose fixation 2x20 cpl.                            |
| 7      | 1        | 5GB122 106     | Special washer - 30.5x70x10                               |
| 8      | 1        | 5GB122 224     | Spring N°12 bis for transport lock - Dia 40, lg. : 110 mm |
| 9      | 1        | 5GB122 250     | Horizontal crucifix pin - Dia 50, Lu:378mm,M30            |
| 10     | 2        | 5GB122 253     | Parking leg pin - Dia 25, Lu:100 mm                       |
| 11     | 2        | 5GB122 295     | Special washer - 50.5x82x2                                |
| 12     | 1        | 5GB122 358     | Double hose fixation 2x16 cpl.                            |
| 13     | 1        | 5GB122 375     | Headstock frame   |
| 14     | 2        | 5GBVI 27 10    | Screw H M8x 50 - 8.8 ZNBL                                 |
| 15     | 6        | 5GBVI 34 01    | Screw H M22x 40 - 8.8 ZNBL , thread /25 mm                |
| 16     | 2        | 5GBVI 35 06    | Screw H M24x120 - 8.8 ZNBL                                |
| 17     | 2        | 5GBVI 47 03    | Screw H M30x130 - 10.9 ZNBL                               |
| 18     | 2        | 5GBVJ 320      | Nyloc nut std H M 8 - 8 ZNBL                              |
| 19     | 2        | 5GBVJ 331      | Nyloc nut std H M 24 - 8 ZNBL                             |
| 20     | 1        | 5GBVJ 335      | Nyloc nut std H M 30 - 8 ZNBL - thread 200                |
| 21     | 2        | 5GBVJ 626      | Nut HU M30 - 8 ZNBL                                       |
| 22     | 2        | 5GBVL 101      | Lynch pin "Clips" Dia6 Z                                  |
| 23     | 1        | 5GBVL 214      | Thick roll pin - 6x40 mm                                  |
| 24     | 4        | 5GBVL 415      | Split pin V 6.3x60  |

## Turnover Semi-mounted single wheel



| Repere | Quantite | Reference      | Designation  |
|--------|----------|----------------|--|
| 1      | 2        | 5GB1 223 117   | Piston for cylinder - Dia 150, width : 107 mm        |
| 2      | 1        | 5GB1 223 152 U | headstock casting                                    |
| 3      | 1        | 5GB1 223 155   | pinion - width : 133 mm                              |
| 4      | 1        | 5GB1 223 156   | Plastic bushing for pinion                           |
| 5      | 1        | 5GB1 223 157   | Rack guide bearing                                   |
| 6      | 1        | 5GB1 223 158   | headstock rollers pin                                |
| 7      | 1        | 5GB1 223 194   | Special washer - Dia 85.5x16Ox2                      |
| 8      | 2        | 5GB1 223 236   | Ram semi-mounted Dia150                              |
| 9      | 1        | 5GB1 223 401   | Pinion support                                       |
| 10     | 2        | 5GB1 291 306   | Bush composite Dia40x48 Lg=40                        |
| 11     | 2        | 5GB122 231     | Plastic bush - Dia 93 x 86, lg. : 120 mm             |
| 12     | 4        | 5GB122 246     | Bronze bushing - Dia50x55, lg. : 40 mm               |
| 13     | 1        | 5GB122 251     | Front shaft - Dia 85, lg. : 790 mm                   |
| 14     | 1        | 5GB122 256     | rack - width : 100 mm                                |
| 15     | 6        | 5GB122 265     | Screw H M27x 60 - 10.9 Znbl, thread /45mm, thread200 |

## Turnover Semi-mounted single wheel

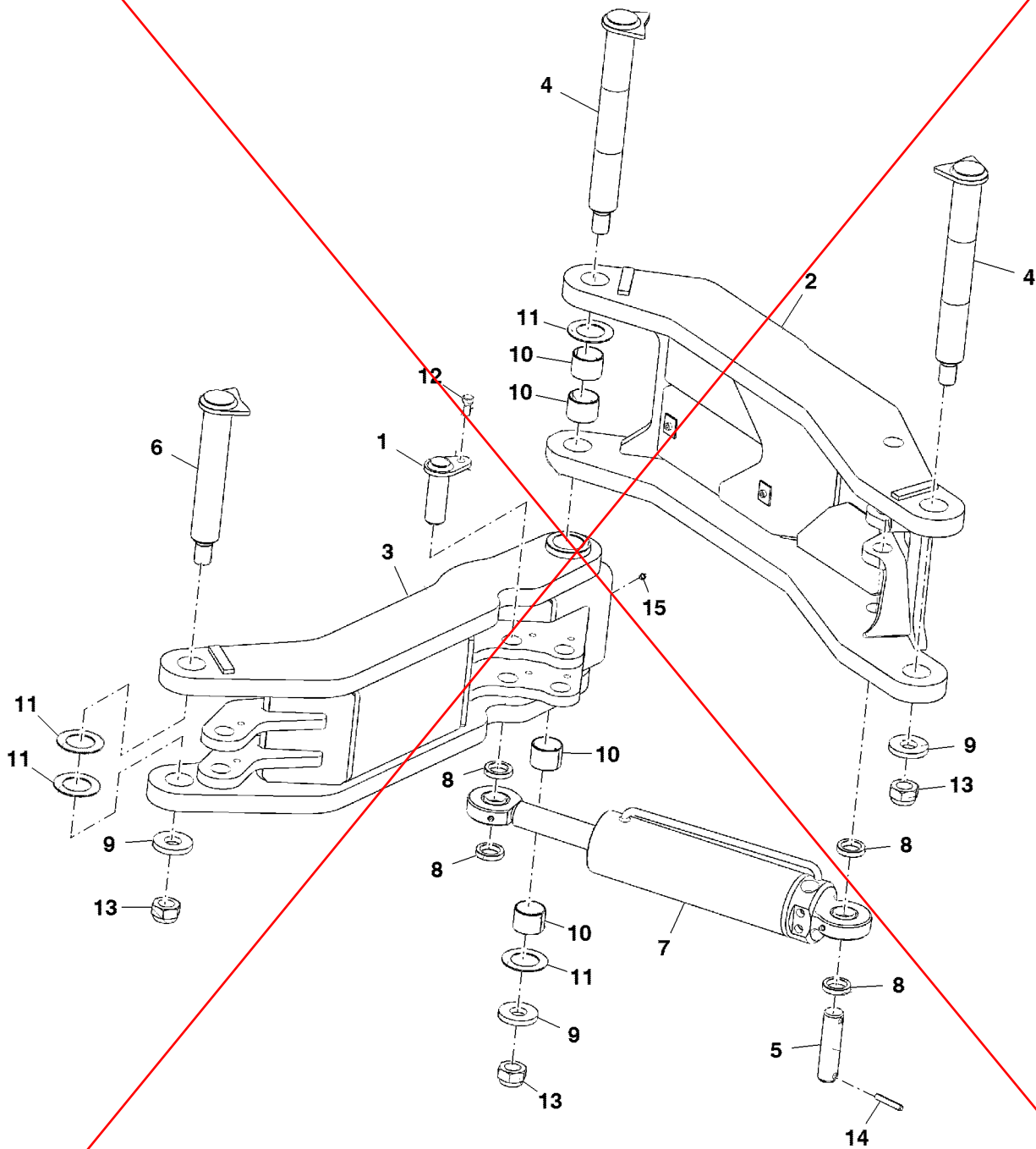


| Repere | Quantite | Reference      | Designation                                |
|--------|----------|----------------|--|
| 16     | 20       | 5GB802 503 000 | Screw CHc M16x 60 - 8.8 Black              |
| 17     | 1        | 5GBVI 24 33    | Screw H conical M12x22 lg. : 36            |
| 18     | 1        | 5GBVI 35 15    | Screw H M24x170 - 10.9 ZNBL, thread /36 mm |
| 19     | 2        | 5GBVI 47 01    | Screw H M30x160 - 10.9 ZNBL                |
| 20     | 4        | 5GBVI 48 24    | Screw CHc M16x 40 - 8.8 Black              |
| 21     | 2        | 5GBVI 49 02    | Screw FHC M8x 12 - 10.9 Black              |
| 22     | 1        | 5GBVJ 331      | Nyloc nut std H M 24 - 8 ZNBL              |
| 23     | 2        | 5GBVJ 626      | Nut HU M30 - 8 ZNBL                        |
| 24     | 2        | 5GBVK 502      | Flat washer MU8 ZNBL                       |
| 25     | 1        | 5GBVK 510      | Flat washer MU24 ZNBL                      |
| 26     | 6        | 5GBVK 522      | Washer ZNBL NL27                           |
| 27     | 4        | 5GBVM 201      | Grease nipple - M8, thread125              |
| 28     | 1        | 5GBVM 205      | Grease nipple - M10, thread150             |
| 29     | 2        | 5GBVM 207      | Grease nipple 90° M10x150                  |



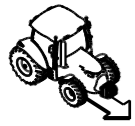
Independent Hydraulic Front Furrow Adjustment, on-land Plow  
Регулировка независимого гидравлического переднего катка, плуг для работы вне борозды

PY57592 A.1

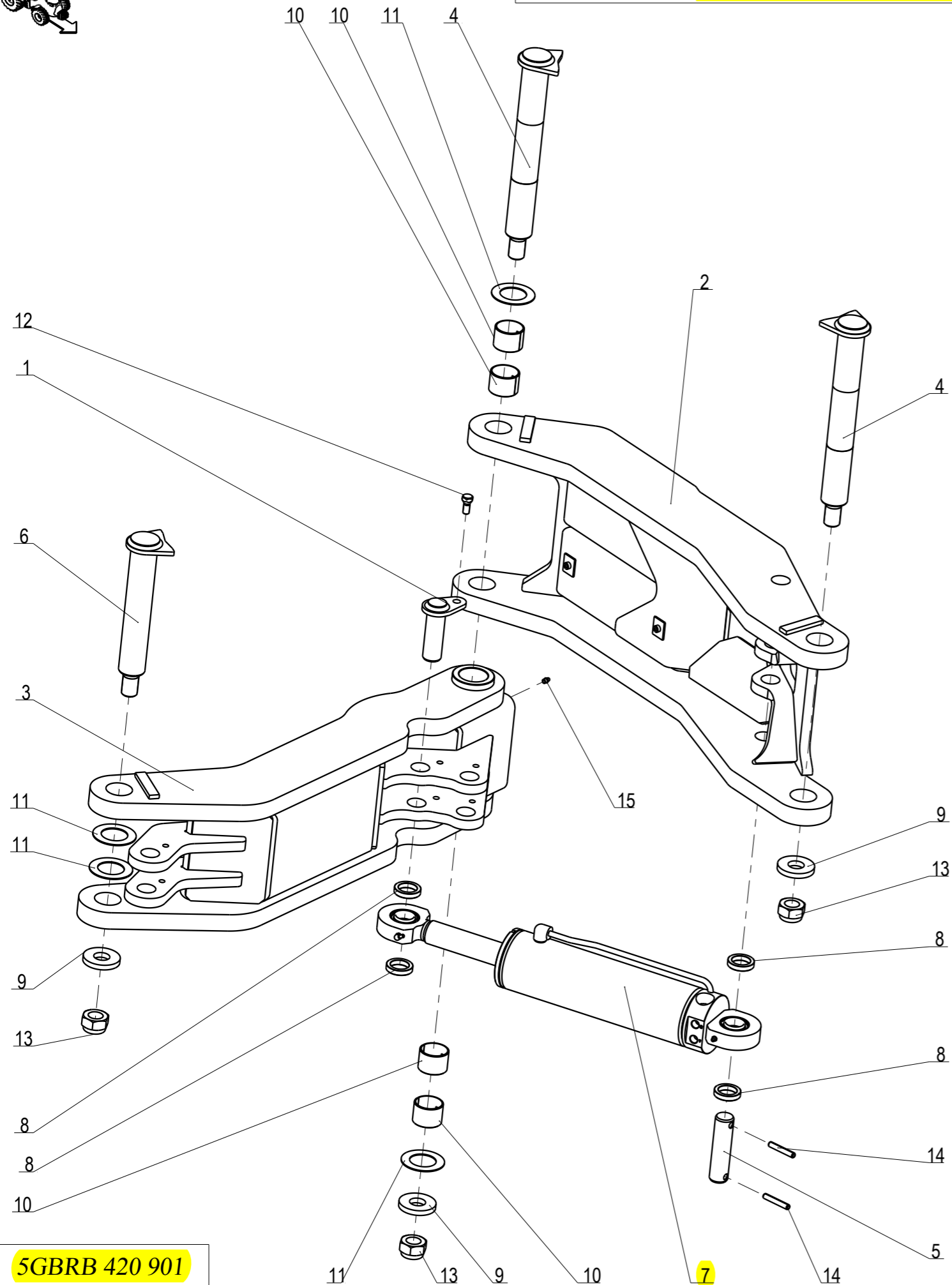


PY57592

| Key | Part No.   | Part Name              | Qty. | Serial No. | Remarks           |
|-----|------------|------------------------|------|------------|-------------------|
| 1   | 5GB1122732 | Pin                    | 1    |            |                   |
| 2   | 5GB1223402 | Adjuster               | 1    |            |                   |
| 3   | 5GB1223403 | Support                | 1    |            |                   |
| 4   | 5GB1223405 | Axle                   | 2    |            |                   |
| 5   | 5GB1223406 | Axle                   | 1    |            |                   |
| 6   | 5GB1223407 | Axle                   | 1    |            |                   |
| 7   | 5GB1223408 | Cylinder               | 1    |            |                   |
|     | 5GB1223411 | Hydraulic Cylinder Kit | 1    |            |                   |
| 8   | 5GB1234112 | Spacer                 | 4    |            | 50 X 31 mm        |
| 9   | 5GB122106  | Washer                 | 3    |            | 30.5 X 70 X 10 mm |
| 10  | 5GB122246  | Bushing                | 4    |            |                   |
| 11  | 5GB122295  | Washer                 | 4    |            | 50.5 X 82 X 2 mm  |
| 12  | 5GBVI2433  | Screw                  | 1    |            | M12 X 22          |
| 13  | 5GBVJ335   | Nut                    | 3    |            | M30               |
| 14  | 5GBVL225   | Roll                   | 2    |            |                   |
| 15  | 5GBVM201   | Grease                 | 1    |            | M8                |



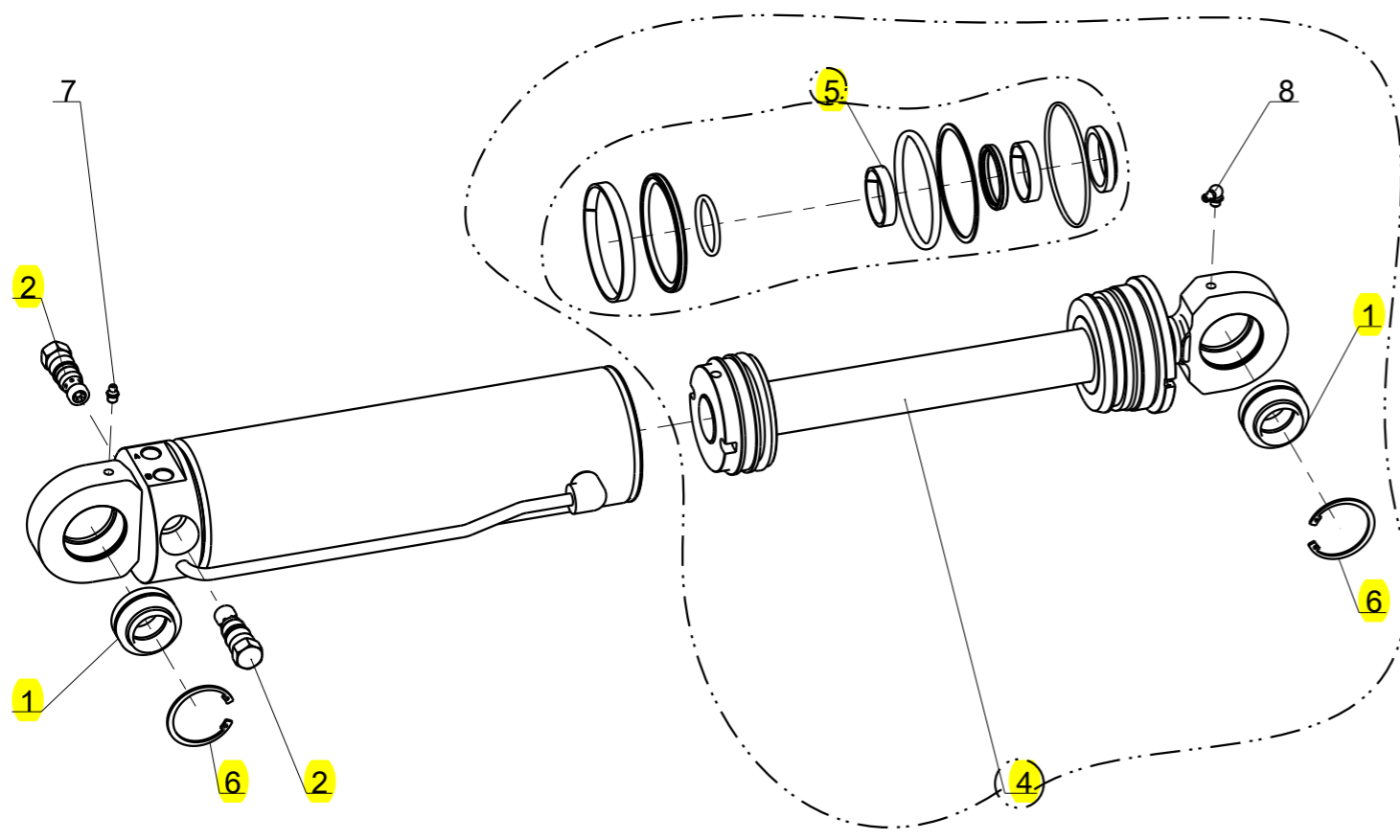
## Independent hydr. front furrow adjustment



**5GBRB 420 901**

| Repere   | Quantité | Reference           | Designation                                |
|----------|----------|---------------------|--|
| 1        | 1        | 5GB1 122 732        | Pin Dia 35, Lu:103 mm                      |
| 2        | 1        | 5GB1 223 402        | Int. front furrow adjuster                 |
| 3        | 1        | 5GB1 223 403        | Ext. front furrow adjuster                 |
| 4        | 2        | 5GB1 223 405        | Axle front furrow adjuster                 |
| 5        | 1        | 5GB1 223 406        | Front axle (front furrow ram)              |
| 6        | 1        | 5GB1 223 407        | Axle (ext. front furrow adjuster)          |
| -        | 1        | 5GB1 223 411        | Hyd. kit front furrow                      |
| <b>7</b> | <b>1</b> | <b>5GB1 223 437</b> | <b>Ram DA 100x45 Str.290</b>               |
| 8        | 4        | 5GB1 234 112        | Spacer washer 50x35.5x10                   |
| 9        | 3        | 5GB122 106          | Special washer - 30.5x70x10                |
| 10       | 4        | 5GB122 246          | Bronze bushing - Dia50x55, lg. : 40 mm     |
| 11       | 4        | 5GB122 295          | Special washer - 50.5x82x2                 |
| 12       | 1        | 5GBVI 24 33         | Screw H conical M12x22 lg. : 36            |
| 13       | 3        | 5GBVJ 335           | Nyloc nut std H M 30 - 8 ZNBL - thread 200 |
| 14       | 2        | 5GBVL 225           | Thick roll pin - 10x60 mm                  |
| 15       | 1        | 5GBVM 201           | Grease nipple - M8, thread125              |

# Ram DA 100x45 Str.290

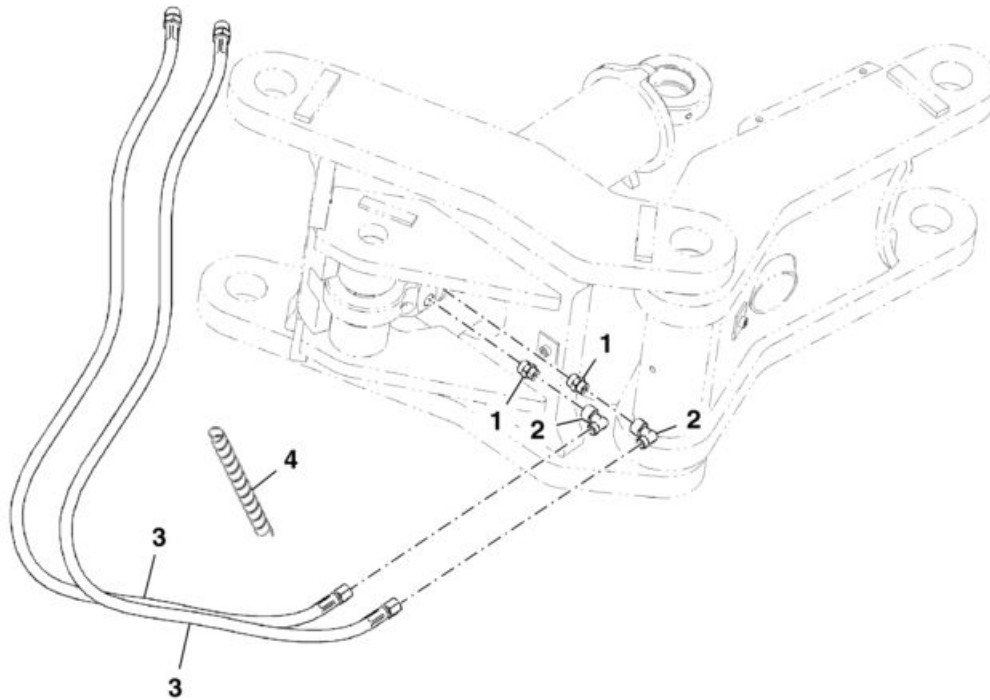


| Repere | Quantite | Reference    | Designation                      |
|--------|----------|--------------|----------------------------------|
| 1      | 2        | 5GB1 116 241 | Bearing GE35HO 35x55x35          |
| 2      | 2        | 5GB1 122 467 | Check valve kit                  |
| 3      | 1        | 5GB1 223 437 | Ram DA 100x45 Str.290            |
| 4      | 1        | 5GB1 223 438 | Kit stick / Ram 1 223 437        |
| 5      | 1        | 5GB1 223 439 | Seal kit ram DA 100x45           |
| 6      | 2        | 5GBVM 104    | Internal circlip for bore Dia 55 |
| 7      | 1        | 5GBVM 201    | Grease nipple - M8, thread125    |
| 8      | 1        | 5GBVM 203    | Grease nipple 90° M8x125         |

5GB1 223 437

Hydraulic Kit Front Furrow  
Гидравлический комплект переднего катка

PY57593 B.1



PY57593

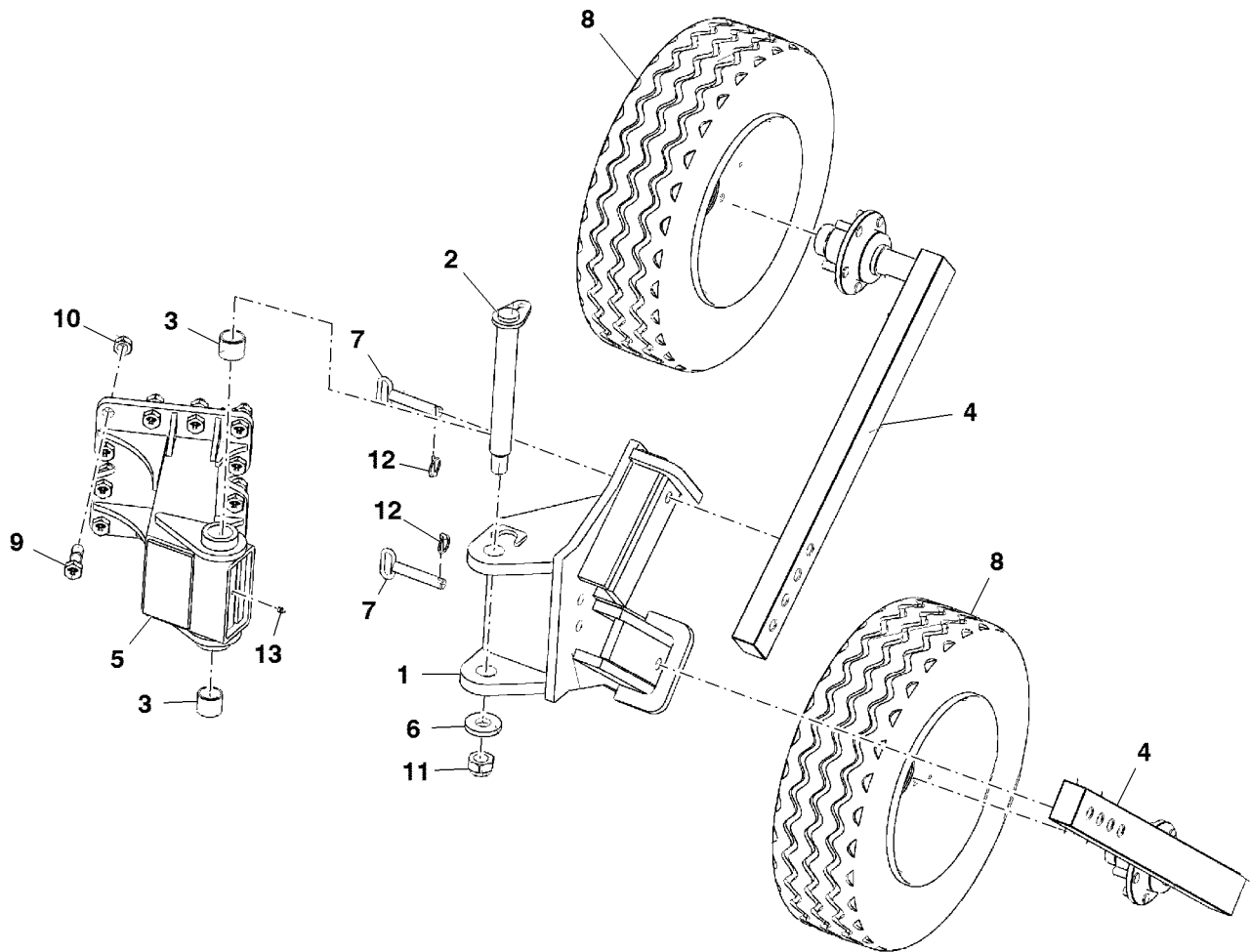
| Key | Part No.   | Part Name     | Qty. | Serial No. | Remarks                       |
|-----|------------|---------------|------|------------|-------------------------------|
| 1   | 5GB1116144 | Union Fitting | 2    |            | M8                            |
| 2   | 5GB1116525 | Fitting       | 2    |            | M8                            |
| 3   | 5GB1116605 | Hose          | 2    |            |                               |
| 4   | 5GB1116581 | Spring        | 1    |            | Hose Protector, OD 15 mm      |
|     | 5GB1116582 | Spring        | 1    |            | Hose Protector, OD 20 mm      |
|     | 5GB1116580 | Spring        | 1    |            | Hose Protector, OD 13 mm      |
|     | 5GB1116546 | Spring        | 1    |            | Hose Protector, OD 25 - 40 mm |

P  
R  
O  
O  
F

P  
R  
O  
O  
F  
  
P  
R  
O  
O  
F

Wheel Assembly, Yellow Rim  
Узел колеса, желтый обод

PY57594 A.1



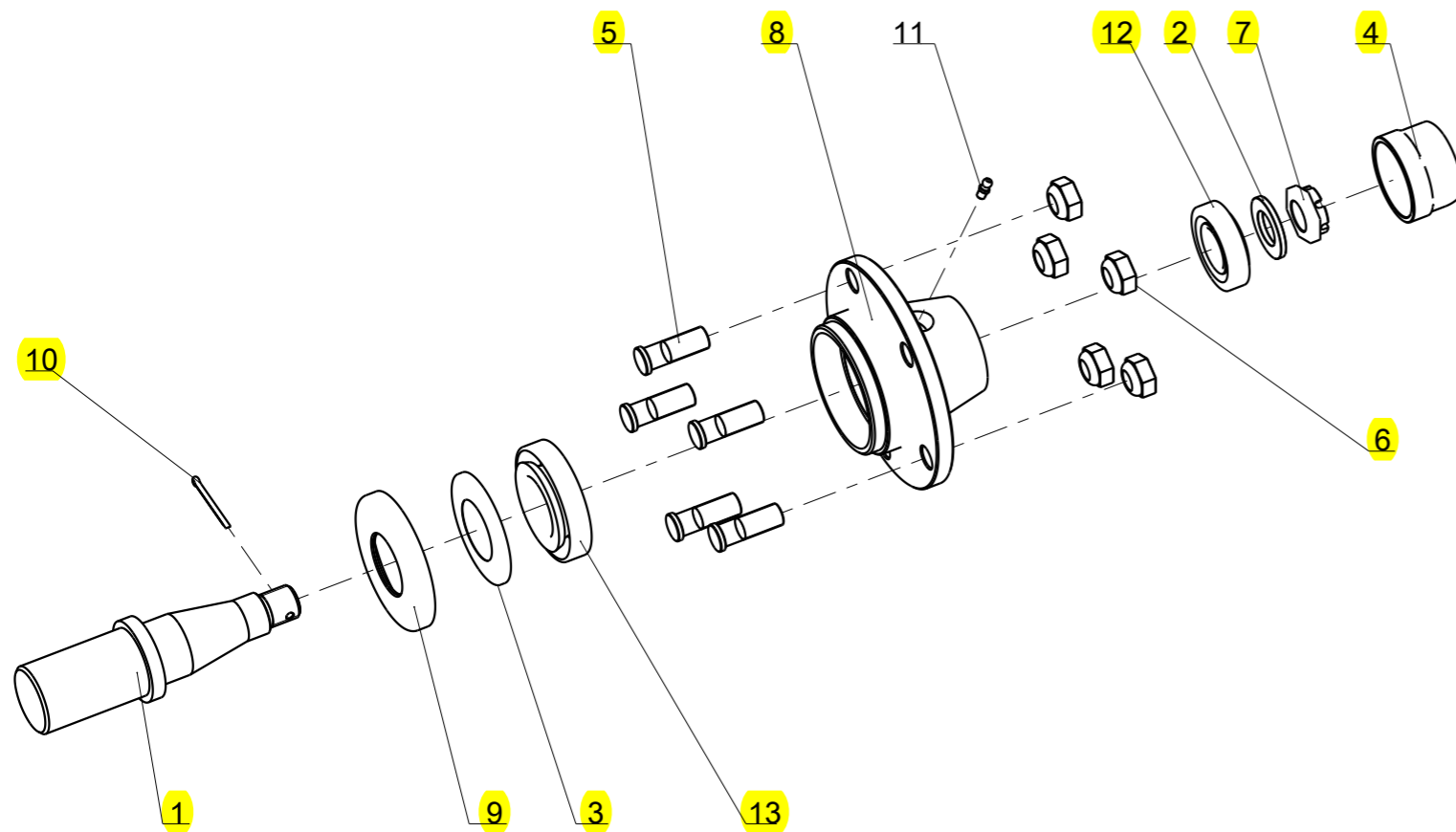
PY57594

| Key | Part No.   | Part Name | Qty. | Serial No. | Remarks           |
|-----|------------|-----------|------|------------|-------------------|
| 1   | 5GB1291302 | Swivel    | 1    |            |                   |
| 2   | 5GB1291303 | Pivot     | 1    |            |                   |
| 3   | 5GB1291306 | Wheel     | 2    |            |                   |
| 4   | 5GB1291308 | Bushing   | 2    |            |                   |
| 5   | 5GB1291309 | Wheel     | 1    |            |                   |
| 6   | 5GB122106  | Washer    | 1    |            | 30.5 X 70 X 10 mm |
| 7   | 5GB122156  | Pin       | 2    |            |                   |
| 8   | 5GB198709Y | Wheel     | 2    |            |                   |
| 9   | 5GBV13413  | Screw     | 12   |            | M22 X 70          |
| 10  | 5GBVJ329   | Nut       | 12   |            | M22               |
| 11  | 5GBVJ335   | Nut       | 1    |            | M30               |
| 12  | 5GBVL101   | Pin       | 2    |            |                   |
| 13  | 5GBVM201   | Grease    | 1    |            | M8                |

D  
P  
R  
O  
O  
F  
P  
R  
O  
O  
F



## Complet hub 5-Stud 50 Lg:90



| Repere | Quantité | Reference    | Designation  |
|--------|----------|--------------|--|
| 1      | 1        | 5GB1 291 311 | Wheel axle 505A R50 Lg:90                                    |
| 2      | 1        | 5GB198 315   | Protection washer - Dia 25 x 45, thick. : 4 mm               |
| 3      | 1        | 5GB198 357   | Grease retainer Nylos for hub - Dia 45 x 84 mm               |
| 4      | 1        | 5GB198 369   | Hub cap - M64  |
| 5      | 5        | 5GB198 372   | Wheel stud M16x150 Lg:45                                     |
| 6      | 5        | 5GB198 375   | Wheel nut - M16, lg. : 45 mm, thread 1.50                    |
| 7      | 1        | 5GB198 377   | Castellated nut for hub HK M24 - thread 2.00, thick. : 15 mm |
| 8      | 1        | 5GB198 516   | Wheel hub 5-Stud steel                                       |
| 9      | 1        | 5GB198 524   | Protection washer - Dia 45 x 100, thick. : 12 mm             |
| 10     | 1        | 5GBVL 405    | Split pin V 4x40   |
| 11     | 1        | 5GBVM 211    | Grease nipple - M6, thread100                                |
| 12     | 1        | 5GBVN 30 206 | Taper roller bearing   |
| 13     | 1        | 5GBVN 30 209 | Taper roller bearing   |

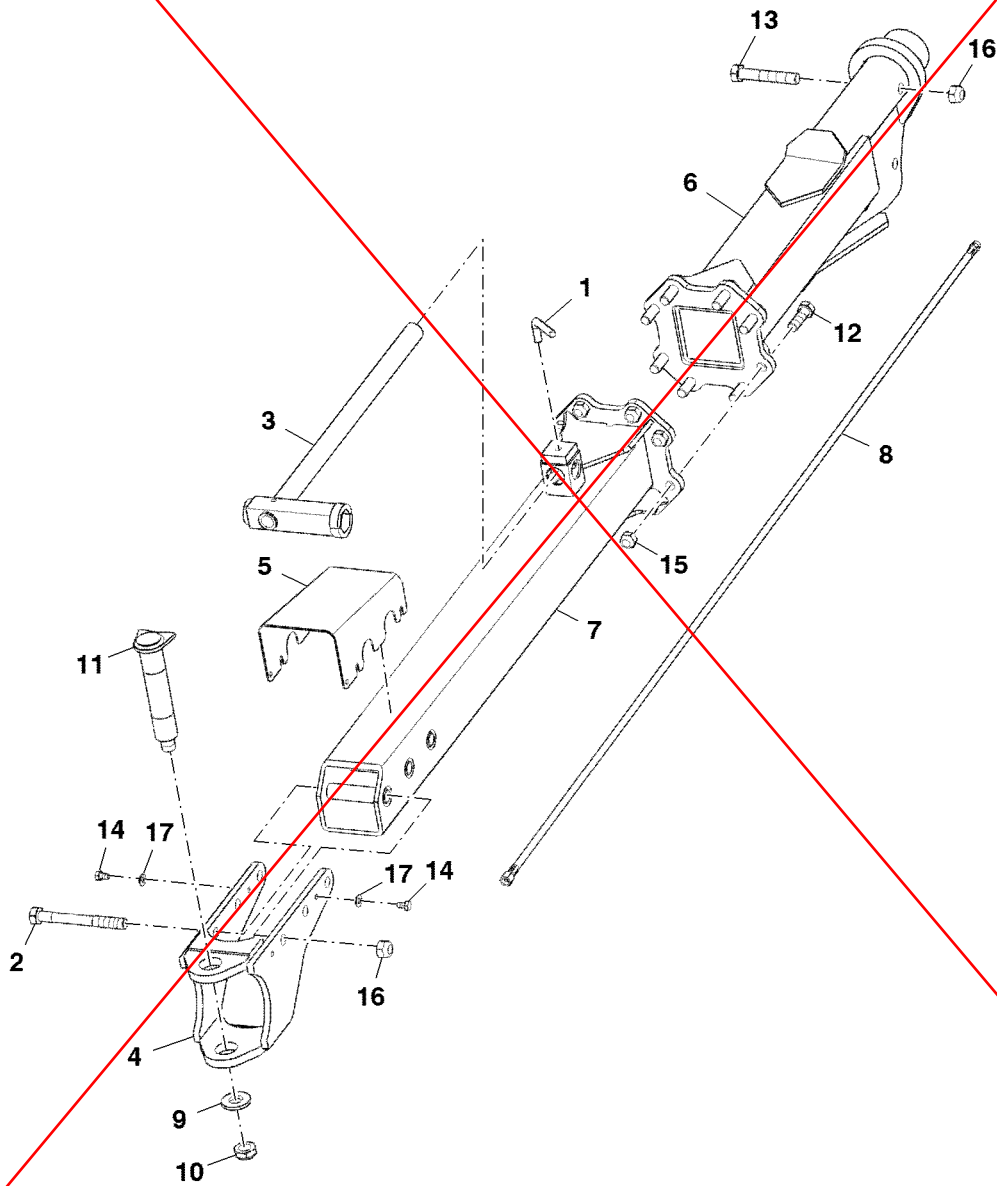
5GB1 291 305

15-Nov-13

Revision : A  
M a J :

Stabilization Bar 1000 (1+4) 2583 mm  
Стабилизатор 1000 (1+4) 2583 mm

PY57595 A.1



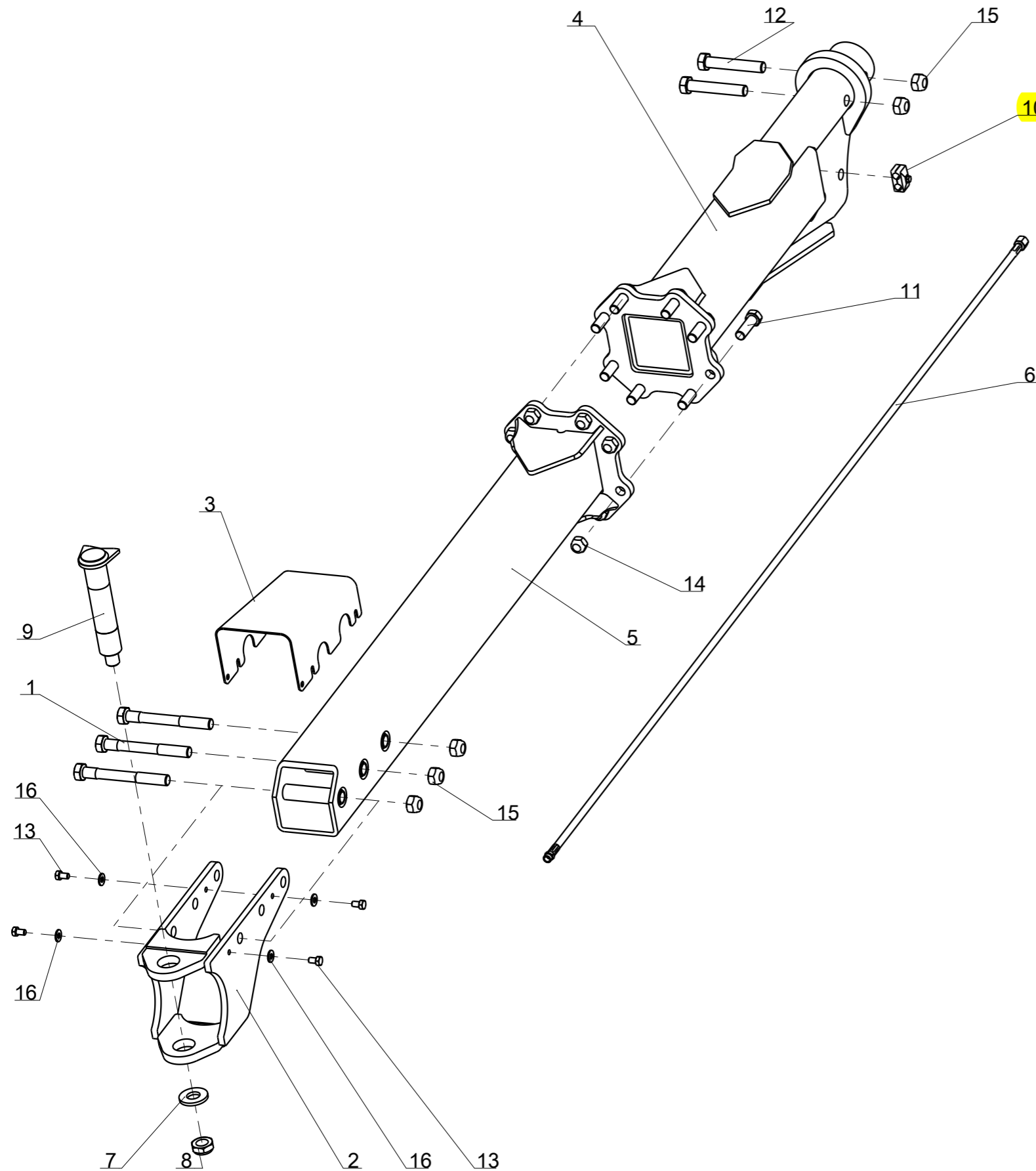
PY57595

| Key | Part No.   | Part Name | Qty. | Serial No. | Remarks          |
|-----|------------|-----------|------|------------|------------------|
| 1   | 5GB1112424 | Leg       | 1    |            | M16              |
| 2   | 5GB1118357 | Screw     | 3    |            | M24 X 210        |
| 3   | 5GB1212166 | Toolbox   | 1    |            |                  |
| 4   | 5GB1212410 | Bar       | 1    |            |                  |
| 5   | 5GB1212411 | Plate     | 1    |            |                  |
| 6   | 5GB1212421 | Bar       | 1    |            |                  |
| 7   | 5GB1212422 | Bar       | 1    |            |                  |
| 8   | 5GB1212431 | Hose      | 1    |            |                  |
| 9   | 5GB1233264 | Washer    | 1    |            | 30.5 X 65 X 7 mm |
| 10  | 5GB1233267 | Nut       | 1    |            | M30              |
| 11  | 5GB1292308 | Axle      | 1    |            |                  |
| 12  | 5GBVI3413  | Screw     | 8    |            | M22 X 70         |
| 13  | 5GBVI3508  | Screw     | 2    |            | M24 X 140        |
| 14  | 5GBVI4102  | Screw     | 4    |            | M12 X 20         |
| 15  | 5GBVJ329   | Nut       | 8    |            | M22              |
| 16  | 5GBVJ331   | Nut       | 5    |            | M24              |
| 17  | 5GBVK504   | Washer    | 4    |            |                  |

P  
R  
O  
O  
F  
  
P  
R  
O  
O  
F



# Stabilization bar, semi-mounted single wheel 1000 (1+4) 2583, on-land



5GBRB 533 101

| Repere | Quantité | Reference    | Designation                                |
|--------|----------|--------------|--|
| 1      | 3        | 5GB1 118 357 | Screw H M24x210 - 10.9 ZNBL, thread /36 mm |
| 2      | 1        | 5GB1 212 410 | Rear articulation of stabilization bar     |
| 3      | 1        | 5GB1 212 411 | Rear protection plate / stabilization bar  |
| 4      | 1        | 5GB1 212 421 | Front stabilization bar (Lg:1100)          |
| 5      | 1        | 5GB1 212 422 | Rear stabilization bar 5-100, (Lg:1483)    |
| 6      | 1        | 5GB1 212 431 | Hydr. hose 5/16 Lg:2680mm F12-M12          |
| 7      | 1        | 5GB1 233 264 | Special flat washer - 30.5x65x7            |
| 8      | 1        | 5GB1 233 267 | Nyloc nut H M30, thread 2.00, 20 mm thick. |
| 9      | 1        | 5GB1 292 308 | Welded rear axle                           |
| 10     | 1        | 5GB122 358   | Double hose fixation 2x16 cpl.             |
| 11     | 8        | 5GBVI 34 13  | Screw H M22x 70 - 8.8 ZNBL, thread /34mm   |
| 12     | 2        | 5GBVI 35 08  | Screw H M24x140 - 8.8 ZNBL                 |
| 13     | 4        | 5GBVI 41 02  | Screw H M12x 20 - 8.8 ZNBL                 |
| 14     | 8        | 5GBVJ 329    | Nyloc nut std H M 22- 8 ZNBL               |
| 15     | 5        | 5GBVJ 331    | Nyloc nut std H M 24 - 8 ZNBL              |
| 16     | 4        | 5GBVK 504    | Flat washer MU12 ZNBL                      |

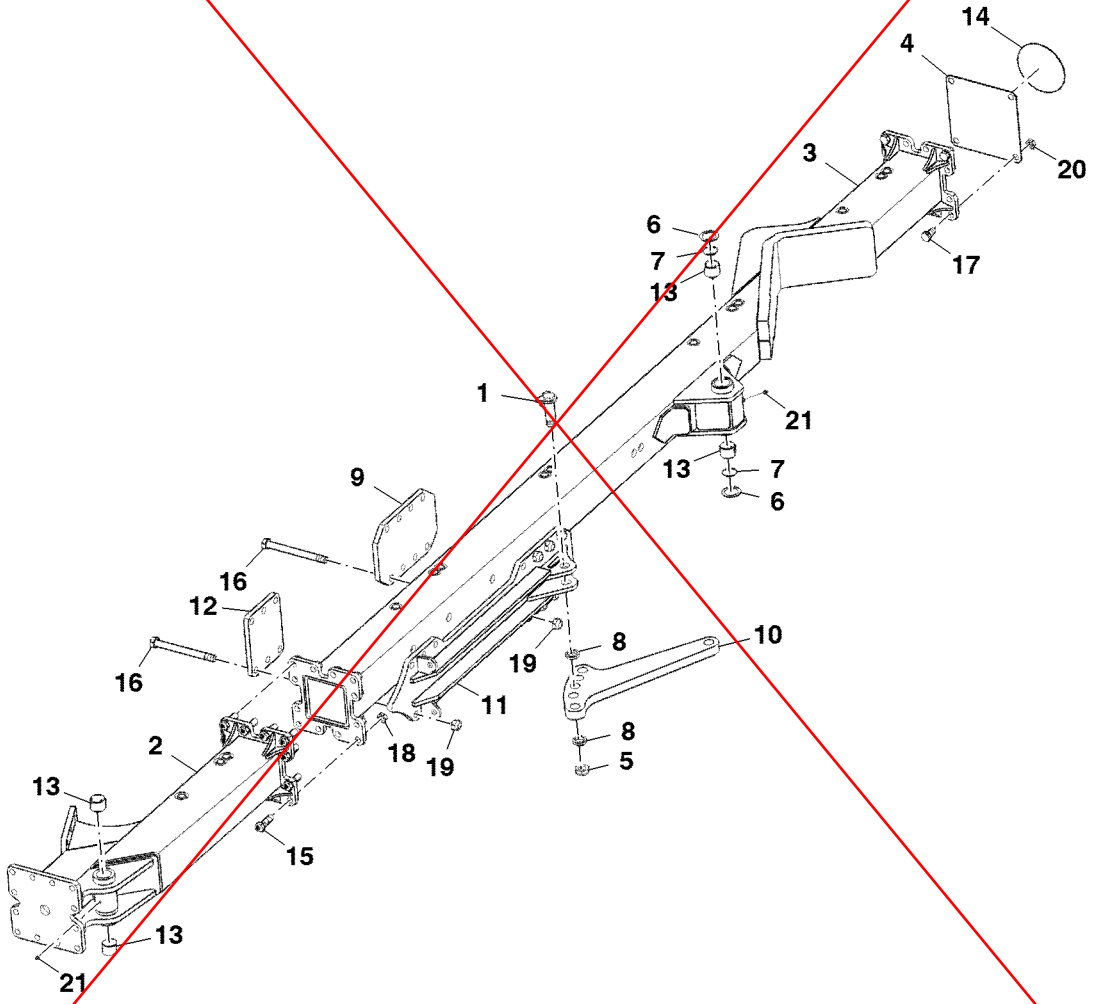
*if need for hydraulic hose protection, order the desired length*

| Picture | Qty / Количество | Reference / N° по каталогу | Designation / Наименование   |
|---------|------------------|----------------------------|--|
|         | meter            | 5GB1116581                 | Plastic flat spring Dia 15mm<br>Рессора плоская пластмассовая Dia15mm      |
|         | meter            | 5GB1116582                 | Plastic flat spring Dia 20mm<br>Рессора плоская пластмассовая Dia20mm      |
|         | meter            | 5GB1116580                 | Plastic flat spring Dia 13mm<br>Рессора плоская пластмассовая Dia13mm      |
|         | meter            | 5GB1116546                 | Plastic flat spring Dia25-40mm<br>Рессора плоская пластмассовая Dia25-40mm |

10-Jul-13

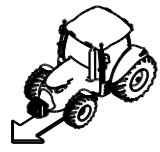
Revision : B  
M a J : 31-Mar-15

Beam 5 / 1000 (Front Part + 4)  
Брус 5 / 1000 (передняя часть + 4)  
PY57596 A.1

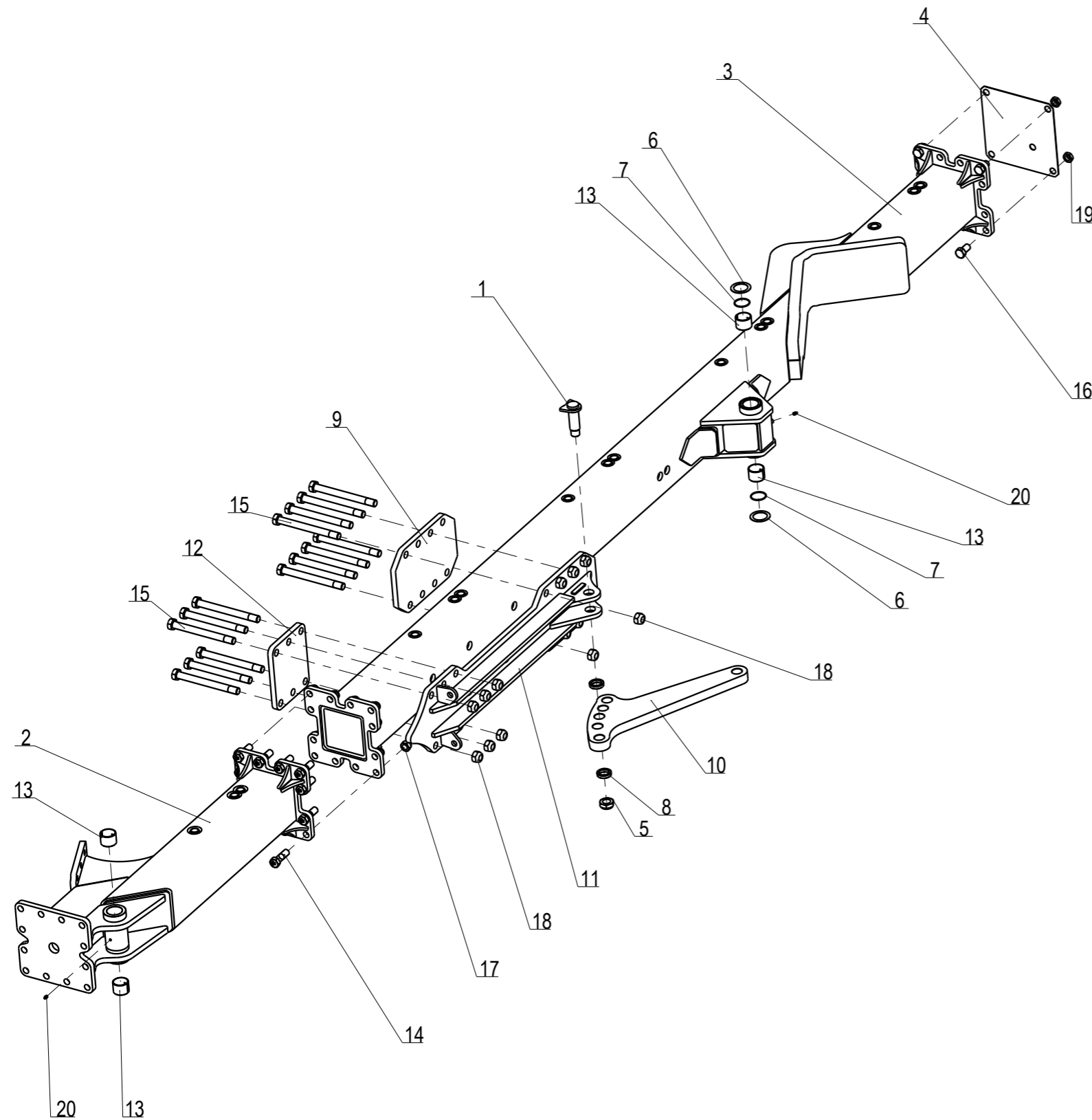


PY57596

| Key | Part No.   | Part Name | Qty. | Serial No. | Remarks        |
|-----|------------|-----------|------|------------|----------------|
| 1   | 5GB1113832 | Axle      | 1    |            |                |
| 2   | 5GB1212401 | Support   | 1    |            |                |
| 3   | 5GB1212402 | Beam      | 1    |            |                |
| 4   | 5GB1214130 | End       | 1    |            |                |
| 5   | 5GB1233267 | Nut       | 1    |            |                |
| 6   | 5GB1233269 | Washer    | 2    |            | 50 X 70 X 1 mm |
| 7   | 5GB1233271 | O-Ring    | 2    |            |                |
| 8   | 5GB1234112 | Spacer    | 2    |            | 50 X 31 mm     |
| 9   | 5GB1292360 | Support   | 1    |            |                |
| 10  | 5GB1292362 | Wheel     | 1    |            |                |
| 11  | 5GB1292364 | Arm       | 1    |            |                |
| 12  | 5GB1292365 | Plate     | 1    |            |                |
| 13  | 5GB122246  | Bushing   | 6    |            |                |
| 14  | 5GBUI141   | Label     | 1    |            |                |
| 15  | 5GBVI3413  | Screw     | 12   |            | M22 X 70       |
| 16  | 5GBVI3533  | Screw     | 14   |            | M24 X 250      |
| 17  | 5GBVI4601  | Screw     | 4    |            | M22 X 40       |
| 18  | 5GBVJ329   | Nut       | 12   |            | M22            |
| 19  | 5GBVJ331   | Nut       | 14   |            | M24            |
| 20  | 5GBVJ407   | Nut       | 4    |            | M22            |
| 21  | 5GBVM201   | Grease    | 2    |            | M8             |



## Beam 5/1000 Semi-mounted single wheel (Front part+4)



| <i>Repere</i> | <i>Quantité</i> | <i>Reference</i> | <i>Designation</i>                           |
|---------------|-----------------|------------------|--|
| 1             | 1               | 5GB1 113 832     | Rear axle of the working width cylinder      |
| 2             | 1               | 5GB1 212 401     | Welded front piece                           |
| 3             | 1               | 5GB1 212 402     | Welded rear beam - 4-furrow 100              |
| 4             | 1               | 5GB1 214 130     | Front end plate                              |
| 5             | 1               | 5GB1 233 267     | Nyloc nut H M30, thread 2.00, 20 mm thick.   |
| 6             | 2               | 5GB1 233 269     | Special flat washer - 50x70x1                |
| 7             | 2               | 5GB1 233 271     | O-Ring Dia 50x2,5                            |
| 8             | 2               | 5GB1 234 112     | Spacer washer 50x35,5x10                     |
| 9             | 1               | 5GB1 292 360     | Support mounting plate                       |
| 10            | 1               | 5GB1 292 362     | Arm adjustable wheel angle                   |
| 11            | 1               | 5GB1 292 364     | Arm support wheel angle reinforced 100       |
| 12            | 1               | 5GB1 292 365     | Plate against support wheel angle reinforced |
| 13            | 6               | 5GB122 246       | Bronze bushing - Dia50x55, lg. : 40 mm       |
| 14            | 12              | 5GBVI 34 13      | Screw H M22x 70 - 8.8 ZNBL, thread /34mm     |
| 15            | 14              | 5GBVI 35 33      | Screw H M24x250 - 10.9 ZNBL, thread /36 mm   |
| 16            | 4               | 5GBVI 46 01      | Screw H M22x 40 - 8.8 ZNBL                   |
| 17            | 12              | 5GBVJ 329        | Nyloc nut std H M 22- 8 ZNBL                 |
| 18            | 14              | 5GBVJ 331        | Nyloc nut std H M 24 - 8 ZNBL                |
| 19            | 4               | 5GBVJ 407        | Nut Hm M22 - 8 ZNBL                          |
| 20            | 2               | 5GBVM 201        | Grease nipple - M8, thread125                |

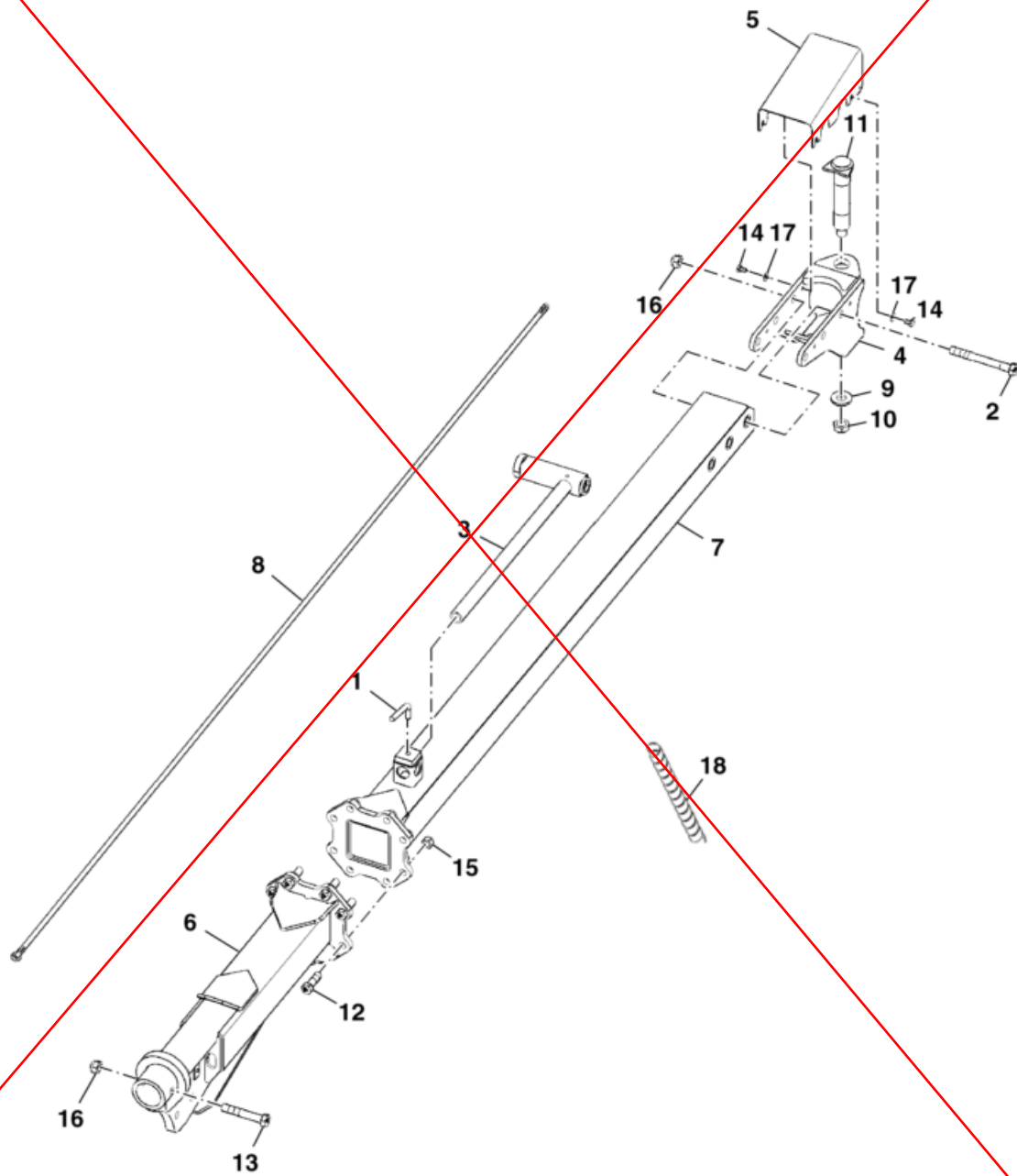
**5GBRB 183 693**

10-Jul-13

Revision : B  
M a J :31-Mar-15

Stabilization Bar 1000 (1+5) 3557 mm  
Стабилизатор 1000 (1+5) 3557 мм

PY57597 B.1



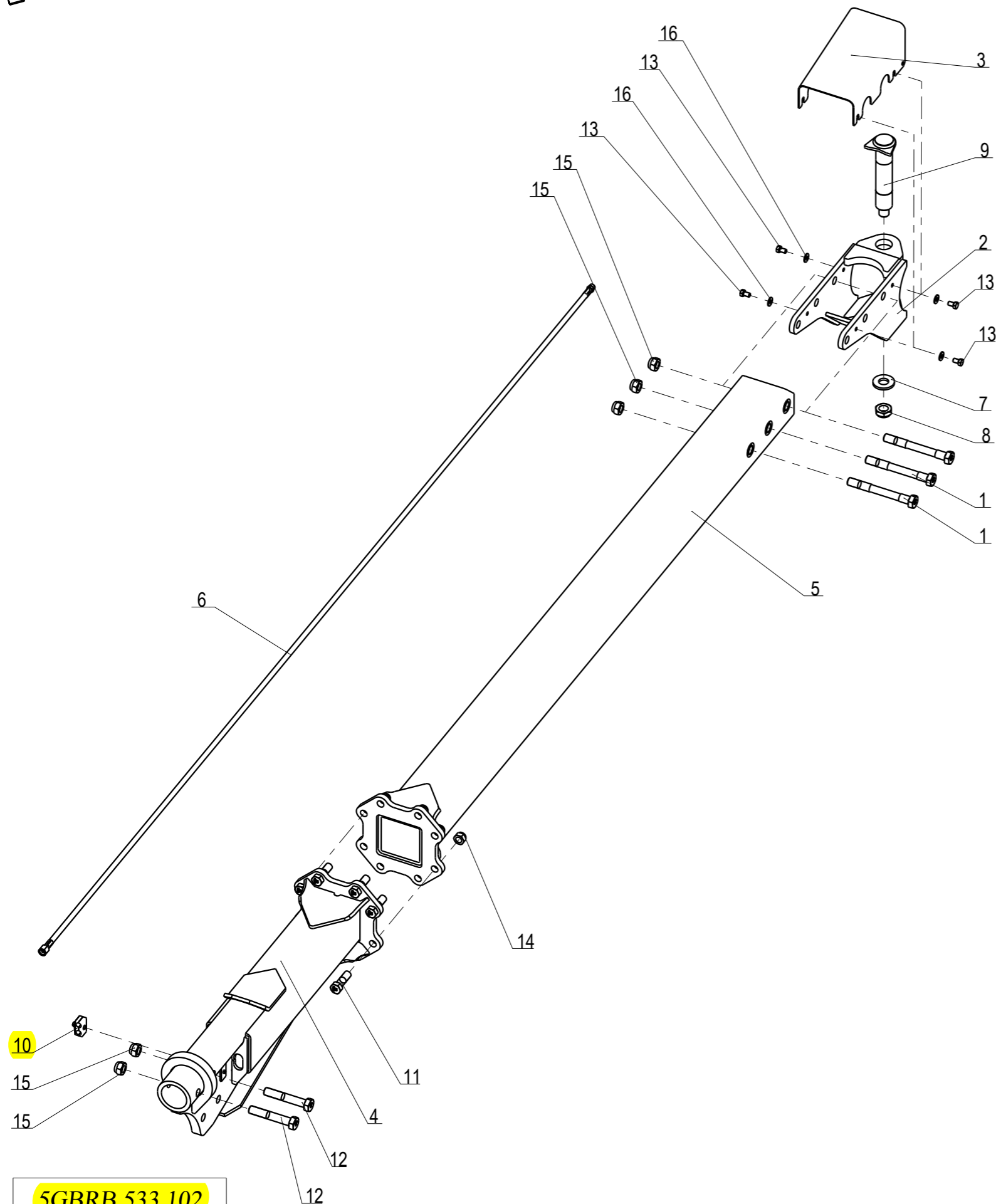
PY57597



| Key | Part No.   | Part Name | Qty. | Serial No. | Remarks                       |
|-----|------------|-----------|------|------------|-------------------------------|
| 1   | 5GB1112424 | Leg       | 1    |            | M16                           |
| 2   | 5GB1118357 | Screw     | 3    |            |                               |
| 3   | 5GB1212166 | Toolbox   | 1    |            |                               |
| 4   | 5GB1212410 | Bar       | 1    |            |                               |
| 5   | 5GB1212411 | Plate     | 1    |            |                               |
| 6   | 5GB1212421 | Bar       | 1    |            |                               |
| 7   | 5GB1212423 | Bar       | 1    |            |                               |
| 8   | 5GB1212432 | Hose      | 1    |            |                               |
| 9   | 5GB1233264 | Washer    | 1    |            | 30.5 X 65 X 7 mm              |
| 10  | 5GB1233267 | Nut       | 1    |            | M30                           |
| 11  | 5GB1292308 | Axle      | 1    |            |                               |
| 12  | 5GBVI3413  | Screw     | 8    |            | M22 X 70                      |
| 13  | 5GBVI3508  | Screw     | 2    |            | M24 X 140                     |
| 14  | 5GBVI4102  | Screw     | 4    |            | M12 X 20                      |
| 15  | 5GBVJ329   | Nut       | 8    |            | M22                           |
| 16  | 5GBVJ331   | Nut       | 5    |            | M24                           |
| 17  | 5GBVK504   | Washer    | 4    |            |                               |
| 18  | 5GB1116581 | Spring    | 1    |            | Hose Protector, OD 15 mm      |
|     | 5GB1116582 | Spring    | 1    |            | Hose Protector, OD 20 mm      |
|     | 5GB1116580 | Spring    | 1    |            | Hose Protector, OD 13 mm      |
|     | 5GB1116546 | Spring    | 1    |            | Hose Protector, OD 25 - 40 mm |



**Stabilization bar, semi-mounted single wheel 1000 (1+5) 3568mm, on-land**



**5GBRB 533 102**

| Repere | Quantité | Reference    | Designation                                |
|--------|----------|--------------|--|
| 1      | 3        | 5GB1 118 357 | Screw H M24x210 - 10.9 ZNBL, thread /36 mm |
| 2      | 1        | 5GB1 212 410 | Rear articulation of stabilization bar     |
| 3      | 1        | 5GB1 212 411 | Rear protection plate / stabilization bar  |
| 4      | 1        | 5GB1 212 421 | Front stabilization bar (Lg:1100)          |
| 5      | 1        | 5GB1 212 423 | Rear stabilization bar 6/100 (Lg:2468)     |
| 6      | 1        | 5GB1 212 432 | Hydr. hose 5/16 Lg:3670mm F12-M12          |
| 7      | 1        | 5GB1 233 264 | Special flat washer - 30.5x65x7            |
| 8      | 1        | 5GB1 233 267 | Nyloc nut H M30, thread 2.00, 20 mm thick. |
| 9      | 1        | 5GB1 292 308 | Welded rear axle                           |
| 10     | 1        | 5GB122 358   | Double hose fixation 2x16 cpl.             |
| 11     | 8        | 5GBVI 34 13  | Screw H M22x 70 - 8.8 ZNBL, thread /34mm   |
| 12     | 2        | 5GBVI 35 08  | Screw H M24x140 - 8.8 ZNBL                 |
| 13     | 4        | 5GBVI 41 02  | Screw H M12x 20 - 8.8 ZNBL                 |
| 14     | 8        | 5GBVJ 329    | Nyloc nut std H M 22- 8 ZNBL               |
| 15     | 5        | 5GBVJ 331    | Nyloc nut std H M 24 - 8 ZNBL              |
| 16     | 4        | 5GBVK 504    | Flat washer MU12 ZNBL                      |

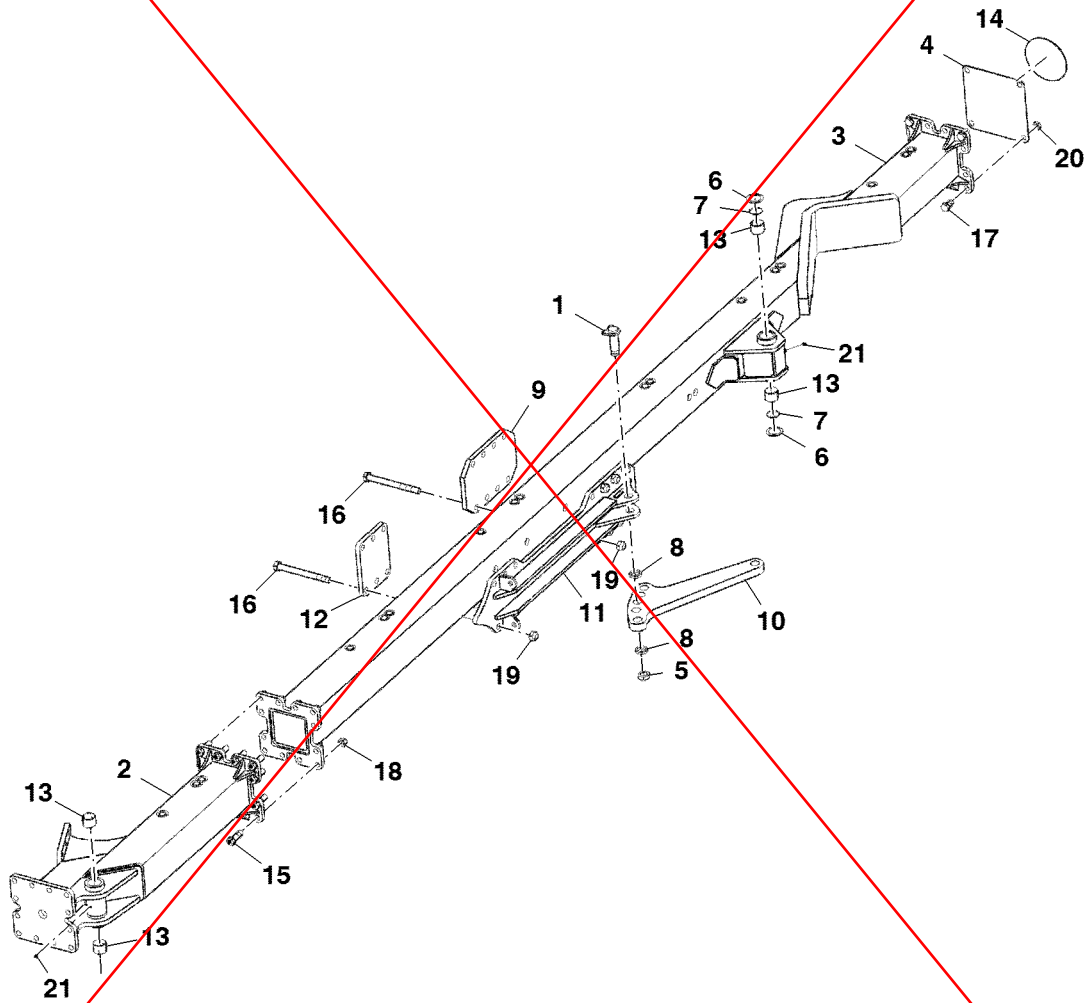
*if need for hydraulic hose protection, order the desired length*

| Picture | Qty / Количество | Reference / N° по каталогу | Designation / Наименование   |
|---------|------------------|----------------------------|--|
|         | meter            | 5GB1116581                 | Plastic flat spring Dia 15mm<br>Рессора плоская пластмассовая Dia15mm      |
|         | meter            | 5GB1116582                 | Plastic flat spring Dia 20mm<br>Рессора плоская пластмассовая Dia20mm      |
|         | meter            | 5GB1116580                 | Plastic flat spring Dia 13mm<br>Рессора плоская пластмассовая Dia13mm      |
|         | meter            | 5GB1116546                 | Plastic flat spring Dia25-40mm<br>Рессора плоская пластмассовая Dia25-40mm |

10-Jul-13

Revision : B  
M a J :31-Mar-15

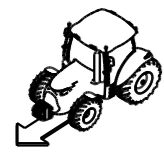
Beam 6 / 1000 (Front Part + 5)  
Брус 6 / 1000 (передняя часть + 5)  
PY57598 A.1



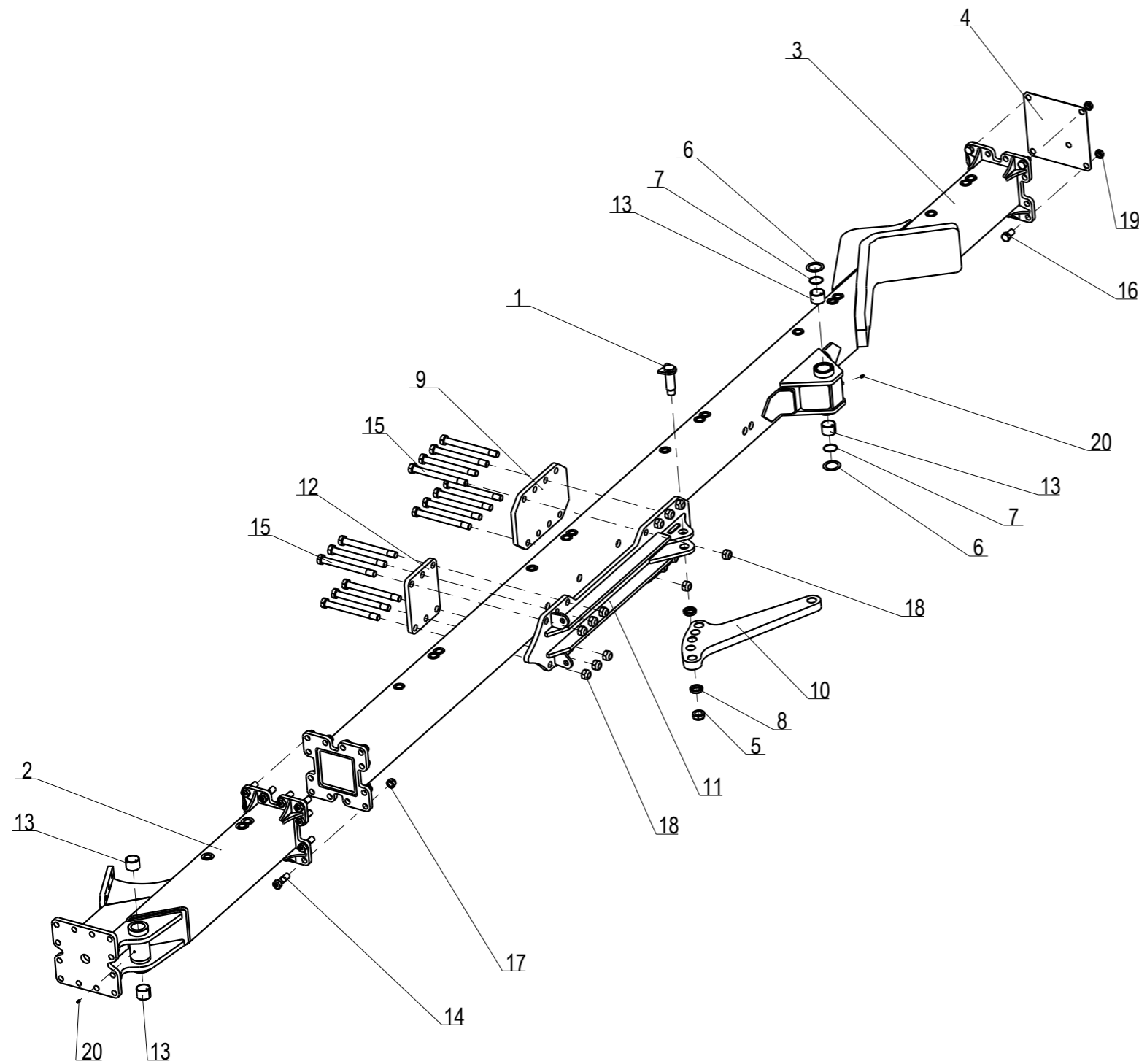
PY57598

| Key | Part No.   | Part Name | Qty. | Serial No. | Remarks        |
|-----|------------|-----------|------|------------|----------------|
| 1   | 5GB1113832 | Axle      | 1    |            |                |
| 2   | 5GB1212401 | Support   | 1    |            |                |
| 3   | 5GB1212401 | Support   | 1    |            |                |
| 4   | 5GB1214130 | End       | 1    |            |                |
| 5   | 5GB1233267 | Nut       | 1    |            | M30            |
| 6   | 5GB1233269 | Washer    | 2    |            | 50 X 70 X 1 mm |
| 7   | 5GB1233271 | O-Ring    | 2    |            |                |
| 8   | 5GB1234112 | Spacer    | 2    |            | 50 X 31 mm     |
| 9   | 5GB1292360 | Support   | 1    |            |                |
| 10  | 5GB1292362 | Wheel     | 1    |            |                |
| 11  | 5GB1292364 | Arm       | 1    |            |                |
| 12  | 5GB1292365 | Plate     | 1    |            |                |
| 13  | 5GB122246  | Bushing   | 6    |            |                |
| 14  | 5GBUI141   | Label     | 1    |            |                |
| 15  | 5GBVI3413  | Screw     | 12   |            | M22 X 70       |
| 16  | 5GBVI3533  | Screw     | 14   |            | M24 X 250      |
| 17  | 5GBVI4601  | Screw     | 4    |            | M22 X 40       |
| 18  | 5GBVJ329   | Nut       | 12   |            | M22            |
| 19  | 5GBVJ331   | Nut       | 14   |            | M24            |
| 20  | 5GBVJ407   | Nut       | 4    |            | M22            |
| 21  | 5GBVM201   | Grease    | 2    |            | M8             |

DRAFT OF PROOF



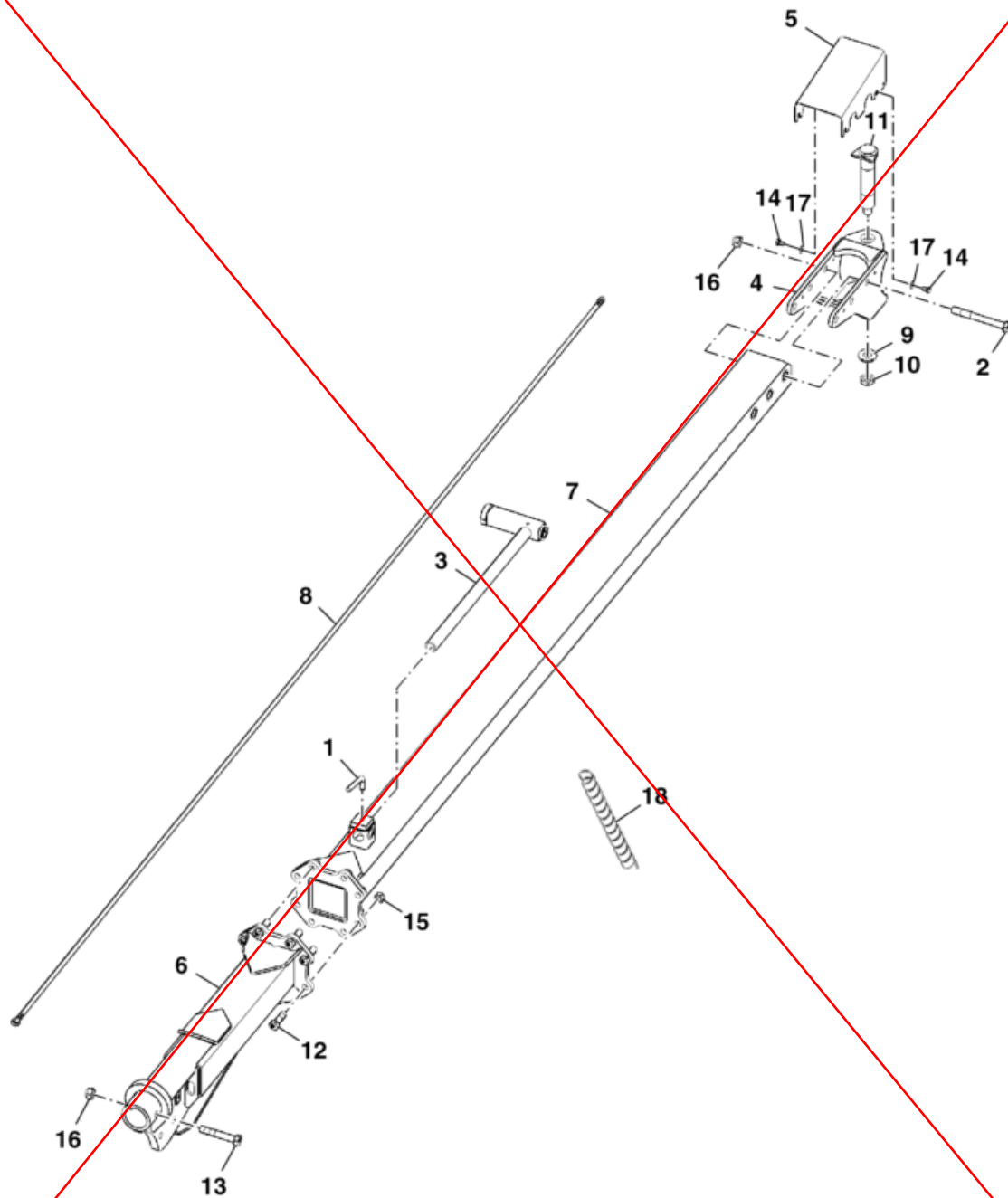
**Beam 6/1000, semi-mouted single wheel (Front part+ 5)**



| Repere | Quantité | Reference    | Designation                                  |
|--------|----------|--------------|--|
| 1      | 1        | 5GB1 113 832 | Rear axle of the working width cylinder      |
| 2      | 1        | 5GB1 212 401 | Welded front piece                           |
| 3      | 1        | 5GB1 212 403 | Welded rear beam - 5-furrow 100              |
| 4      | 1        | 5GB1 214 130 | Front end plate                              |
| 5      | 1        | 5GB1 233 267 | Nyloc nut H M30, thread 2.00, 20 mm thick.   |
| 6      | 2        | 5GB1 233 269 | Special flat washer - 50x70x1                |
| 7      | 2        | 5GB1 233 271 | O-Ring Dia 50x2,5                            |
| 8      | 2        | 5GB1 234 112 | Spacer washer 50x35.5x10                     |
| 9      | 1        | 5GB1 292 360 | Support mounting plate                       |
| 10     | 1        | 5GB1 292 362 | Arm adjustable wheel angle                   |
| 11     | 1        | 5GB1 292 364 | Arm support wheel angle reinforced 100       |
| 12     | 1        | 5GB1 292 365 | Plate against support wheel angle reinforced |
| 13     | 6        | 5GB122 246   | Bronze bushing - Dia50x55, lg. : 40 mm       |
| 14     | 12       | 5GBVI 34 13  | Screw H M22x 70 - 8.8 ZNBL, thread /34mm     |
| 15     | 14       | 5GBVI 35 33  | Screw H M24x250 - 10.9 ZNBL, thread /36 mm   |
| 16     | 4        | 5GBVI 46 01  | Screw H M22x 40 - 8.8 ZNBL                   |
| 17     | 12       | 5GBVJ 329    | Nyloc nut std H M 22- 8 ZNBL                 |
| 18     | 14       | 5GBVJ 331    | Nyloc nut std H M 24 - 8 ZNBL                |
| 19     | 4        | 5GBVJ 407    | Nut Hm M22 - 8 ZNBL                          |
| 20     | 2        | 5GBVM 201    | Grease nipple - M8, thread125                |

Stabilization Bar 1000 (1+6) 4557 mm  
Стабилизатор 1000 (1+6) 4557 mm

PY57599 B.1

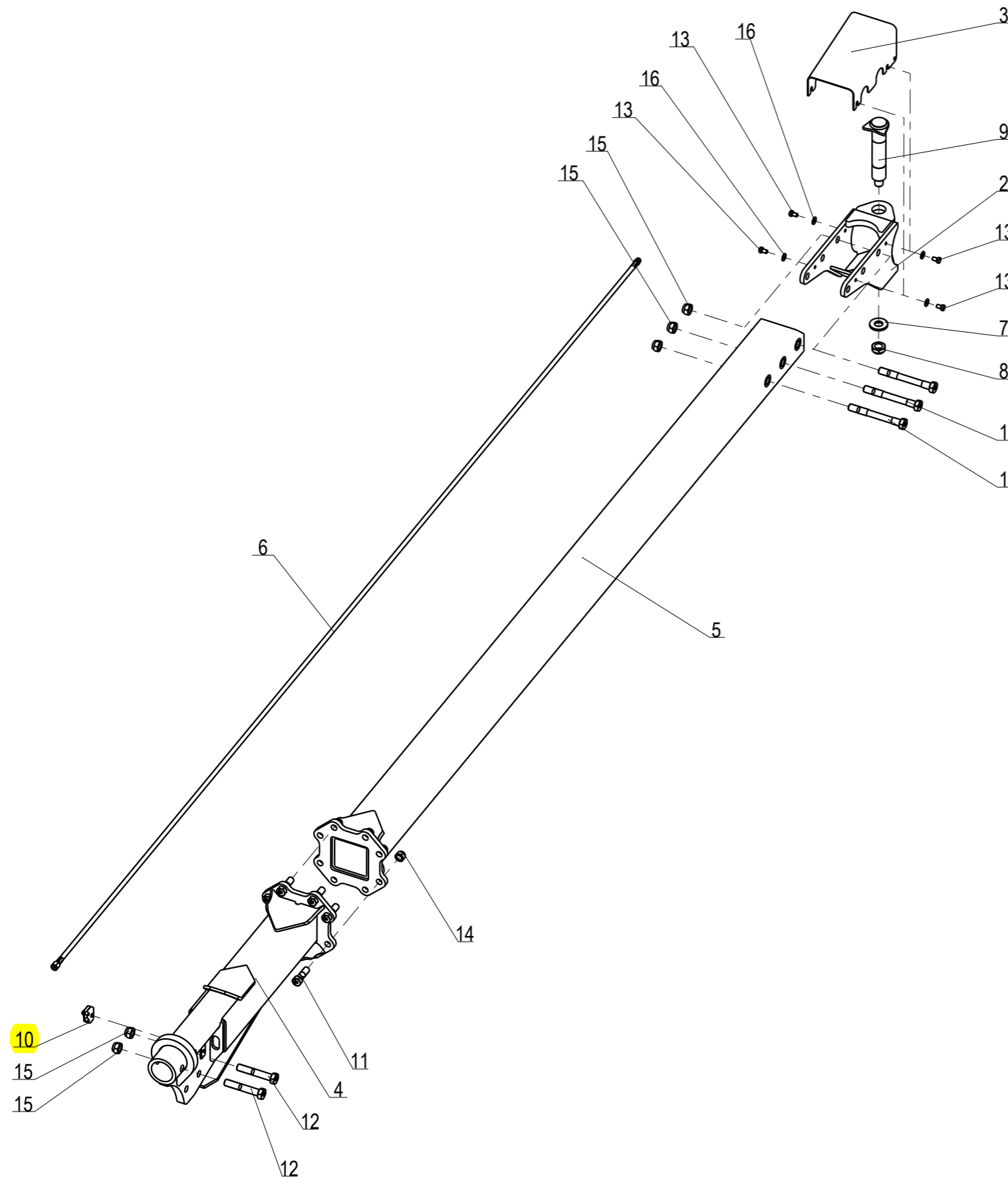


PY57599

| Key | Part No.   | Part Name | Qty. | Serial No. | Remarks                       |
|-----|------------|-----------|------|------------|-------------------------------|
| 1   | 5GB1112424 | Leg       | 1    |            | M16                           |
| 2   | 5GB1118357 | Screw     | 3    |            | M24 X 210                     |
| 3   | 5GB1212166 | Toolbox   | 1    |            |                               |
| 4   | 5GB1212410 | Bar       | 1    |            |                               |
| 5   | 5GB1212411 | Plate     | 1    |            |                               |
| 6   | 5GB1212421 | Bar       | 1    |            |                               |
| 7   | 5GB1212424 | Bar       | 1    |            |                               |
| 8   | 5GB1212433 | Hose      | 1    |            |                               |
| 9   | 5GB1233264 | Washer    | 1    |            |                               |
| 10  | 5GB1233267 | Nut       | 1    |            | M30                           |
| 11  | 5GB1292308 | Axle      | 1    |            |                               |
| 12  | 5GBVI3413  | Screw     | 8    |            | M22 X 70                      |
| 13  | 5GBVI3508  | Screw     | 2    |            | M24 X 140                     |
| 14  | 5GBVI4102  | Screw     | 4    |            | M12 X 20                      |
| 15  | 5GBVJ329   | Nut       | 8    |            | M22                           |
| 16  | 5GBVJ331   | Nut       | 5    |            | M24                           |
| 17  | 5GBVK504   | Washer    | 4    |            |                               |
| 18  | 5GB1116581 | Spring    | 1    |            | Hose Protector, OD 15 mm      |
|     | 5GB1116582 | Spring    | 1    |            | Hose Protector, OD 20 mm      |
|     | 5GB1116580 | Spring    | 1    |            | Hose Protector, OD 13 mm      |
|     | 5GB1116546 | Spring    | 1    |            | Hose Protector, OD 25 - 40 mm |



## Stabilization bar, semi-mounted single wheel (1+6) 4563mm, on-land



**5GBRB 533 103**

| Repere | Quantité | Reference    | Designation                                |
|--------|----------|--------------|--|
| 1      | 3        | 5GB1 118 357 | Screw H M24x210 - 10.9 ZNBL, thread /36 mm |
| 2      | 1        | 5GB1 212 410 | Rear articulation of stabilization bar     |
| 3      | 1        | 5GB1 212 411 | Rear protection plate / stabilization bar  |
| 4      | 1        | 5GB1 212 421 | Front stabilization bar (Lg:1100)          |
| 5      | 1        | 5GB1 212 424 | Rear stabilization bar 7/100 (Lg:3463)     |
| 6      | 1        | 5GB1 212 433 | Hydr. hose 5/16 Lg:4660mm E12-M12          |
| 7      | 1        | 5GB1 233 264 | Special flat washer - 30.5x65x7            |
| 8      | 1        | 5GB1 233 267 | Nyloc nut H M30, thread 2.00, 20 mm thick. |
| 9      | 1        | 5GB1 292 308 | Welded rear axle                           |
| 10     | 1        | 5GB122 358   | Double hose fixation 2x16 cpl.             |
| 11     | 8        | 5GBVI 34 13  | Screw H M22x 70 - 8.8 ZNBL, thread /34mm   |
| 12     | 2        | 5GBVI 35 08  | Screw H M24x140 - 8.8 ZNBL                 |
| 13     | 4        | 5GBVI 41 02  | Screw H M12x 20 - 8.8 ZNBL                 |
| 14     | 8        | 5GBVJ 329    | Nyloc nut std H M 22- 8 ZNBL               |
| 15     | 5        | 5GBVJ 331    | Nyloc nut std H M 24 - 8 ZNBL              |
| 16     | 4        | 5GBVK 504    | Flat washer MU12 ZNBL                      |

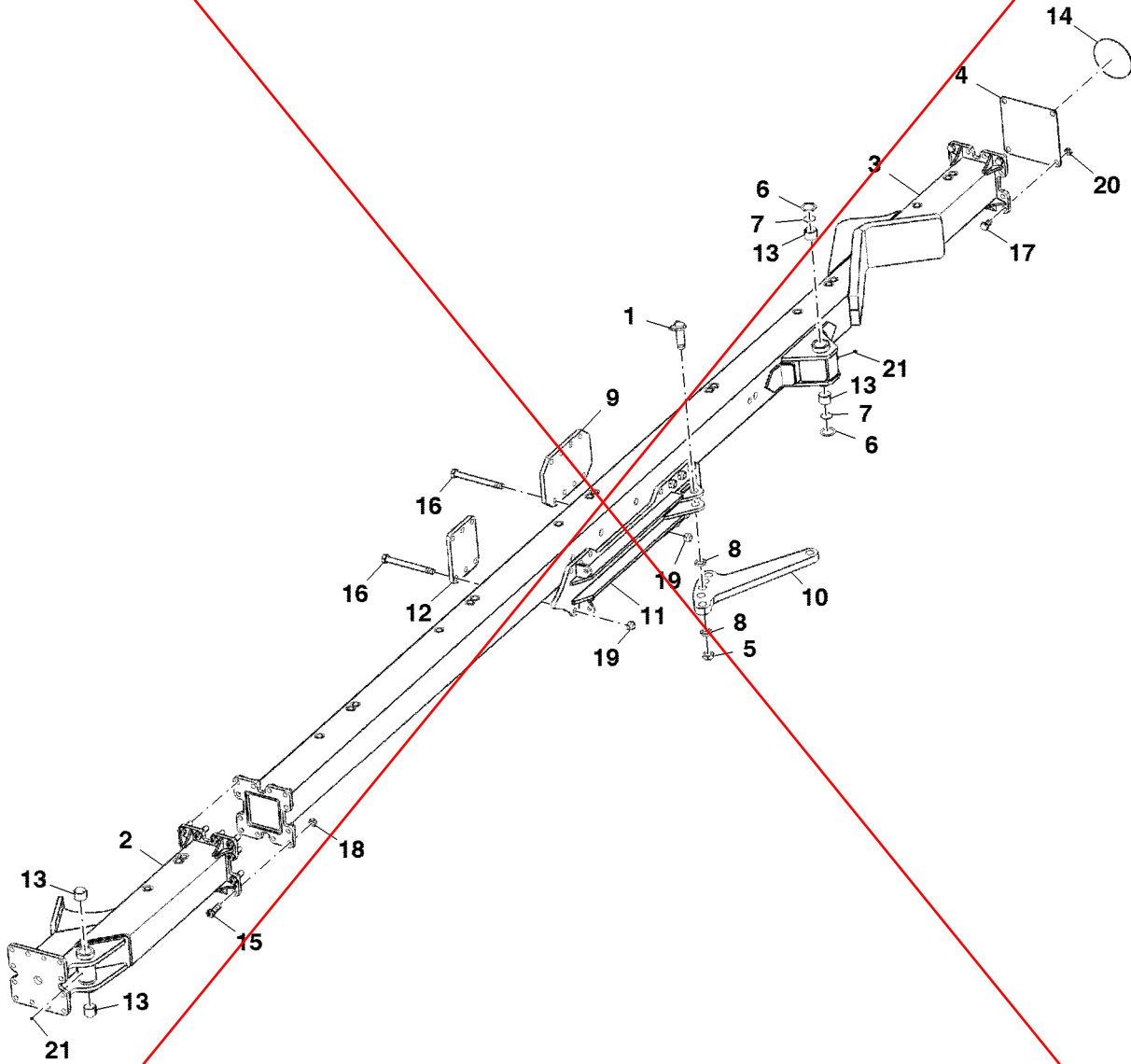
| <i>if need for hydraulic hose protection, order the desired length</i> |                  |                            |  |
|--|------------------|----------------------------|--|
| Picture  | Qty / Количество | Reference / N° по каталогу | Designation / Наименование   |
|  | meter            | 5GB1116581                 | Plastic flat spring Dia 15mm<br>Рессора плоская пластмассовая Dia15mm      |
|  | meter            | 5GB1116582                 | Plastic flat spring Dia 20mm<br>Рессора плоская пластмассовая Dia20mm      |
|  | meter            | 5GB1116580                 | Plastic flat spring Dia 13mm<br>Рессора плоская пластмассовая Dia13mm      |
|  | meter            | 5GB1116546                 | Plastic flat spring Dia25-40mm<br>Рессора плоская пластмассовая Dia25-40mm |

10-Jul-13

Revision : B  
M a J :31-Mar-15



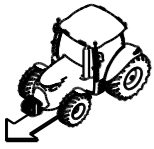
Beam 7 / 1000 (Front Part + 6)  
Брус 7 / 1000 (передняя часть + 6)  
PY57600 A.1



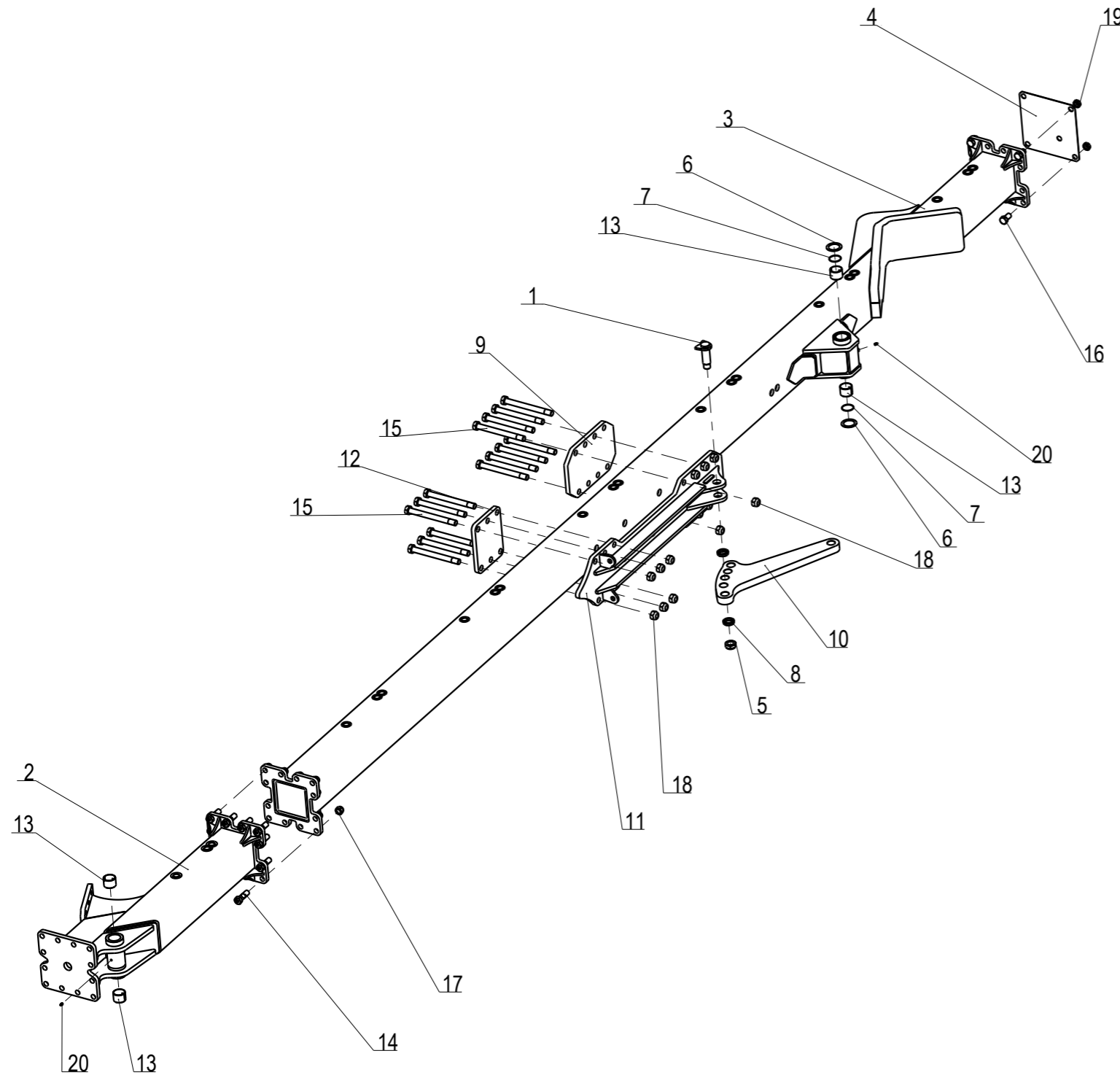
PY57600

| Key | Part No.   | Part Name | Qty. | Serial No. | Remarks     |
|-----|------------|-----------|------|------------|-------------|
| 1   | 5GB1113832 | Axle      | 1    |            |             |
| 2   | 5GB1212401 | Support   | 1    |            |             |
| 3   | 5GB1212404 | Beam      | 1    |            |             |
| 4   | 5GB1214130 | End       | 1    |            |             |
| 5   | 5GB1233267 | Nut       | 1    |            | M30         |
| 6   | 5GB1233269 | Washer    | 2    |            | 50 X 70 X 1 |
| 7   | 5GB1233271 | O-Ring    | 2    |            |             |
| 8   | 5GB1234112 | Spacer    | 2    |            |             |
| 9   | 5GB1292360 | Support   | 1    |            |             |
| 10  | 5GB1292362 | Wheel     | 1    |            |             |
| 11  | 5GB1292364 | Arm       | 1    |            |             |
| 12  | 5GB1292365 | Plate     | 1    |            |             |
| 13  | 5GB122246  | Bushing   | 6    |            |             |
| 14  | 5GBUI141   | Label     | 1    |            |             |
| 15  | 5GBVI3413  | Screw     | 12   |            | M22 X 70    |
| 16  | 5GBVI3533  | Screw     | 14   |            | M24 X 250   |
| 17  | 5GBVI4601  | Screw     | 4    |            | M22 X 40    |
| 18  | 5GBVJ329   | Nut       | 12   |            | M22         |
| 19  | 5GBVJ331   | Nut       | 14   |            | M24         |
| 20  | 5GBVJ407   | Nut       | 4    |            | M22         |
| 21  | 5GBVM201   | Grease    | 2    |            | M8          |

DRAFT OF PROOF



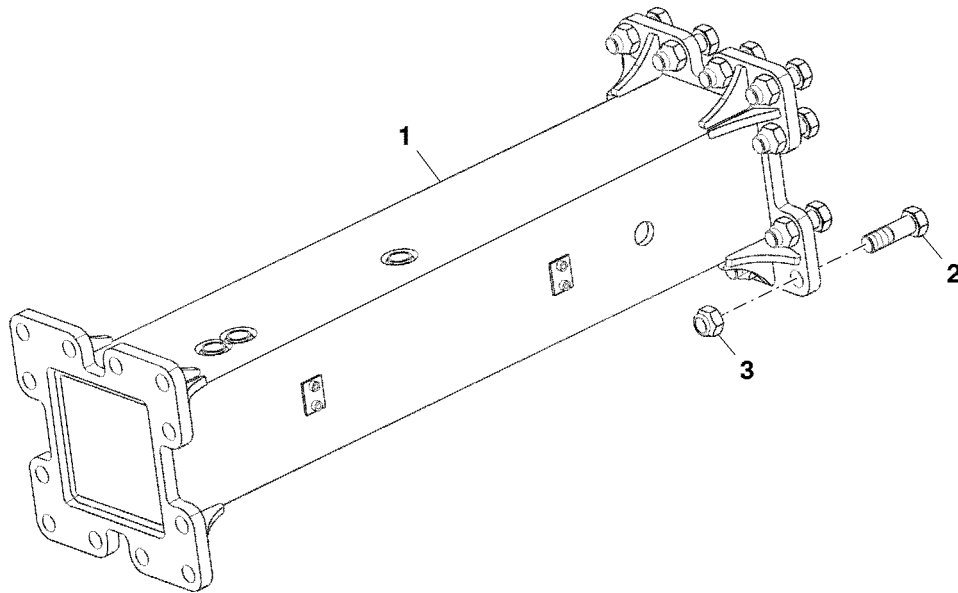
**Beam 7/1000, semi-mounted single wheel (front part+6)**



| Repere | Quantité | Reference    | Designation                                  |
|--------|----------|--------------|--|
| 1      | 1        | 5GB1 113 832 | Rear axle of the working width cylinder      |
| 2      | 1        | 5GB1 212 401 | Welded front piece                           |
| 3      | 1        | 5GB1 212 404 | Welded rear beam - 6-furrow 100              |
| 4      | 1        | 5GB1 214 130 | Front end plate                              |
| 5      | 1        | 5GB1 233 267 | Nyloc nut H M30, thread 2.00, 20 mm thick.   |
| 6      | 2        | 5GB1 233 269 | Special flat washer - 50x70x1                |
| 7      | 2        | 5GB1 233 271 | O-Ring Dia 50x2,5                            |
| 8      | 2        | 5GB1 234 112 | Spacer washer 50x35,5x10                     |
| 9      | 1        | 5GB1 292 360 | Support mounting plate                       |
| 10     | 1        | 5GB1 292 362 | Arm adjustable wheel angle                   |
| 11     | 1        | 5GB1 292 364 | Arm support wheel angle reinforced 100       |
| 12     | 1        | 5GB1 292 365 | Plate against support wheel angle reinforced |
| 13     | 6        | 5GB122 246   | Bronze bushing - Dia50x55, lg. : 40 mm       |
| 14     | 12       | 5GBVI 34 13  | Screw H M22x 70 - 8.8 ZNBL, thread /34mm     |
| 15     | 14       | 5GBVI 35 33  | Screw H M24x250 - 10.9 ZNBL, thread /36 mm   |
| 16     | 4        | 5GBVI 46 01  | Screw H M22x 40 - 8.8 ZNBL                   |
| 17     | 12       | 5GBVJ 329    | Nyloc nut std H M 22- 8 ZNBL                 |
| 18     | 14       | 5GBVJ 331    | Nyloc nut std H M 24 - 8 ZNBL                |
| 19     | 4        | 5GBVJ 407    | Nut Hm M22 - 8 ZNBL                          |
| 20     | 2        | 5GBVM 201    | Grease nipple - M8, thread125                |

Front / Rear Extension 1000, on-land Plow  
 Передний/задний удлинитель 1000, пflug для работы вне борозды

PY57601 A.1



## PY57601

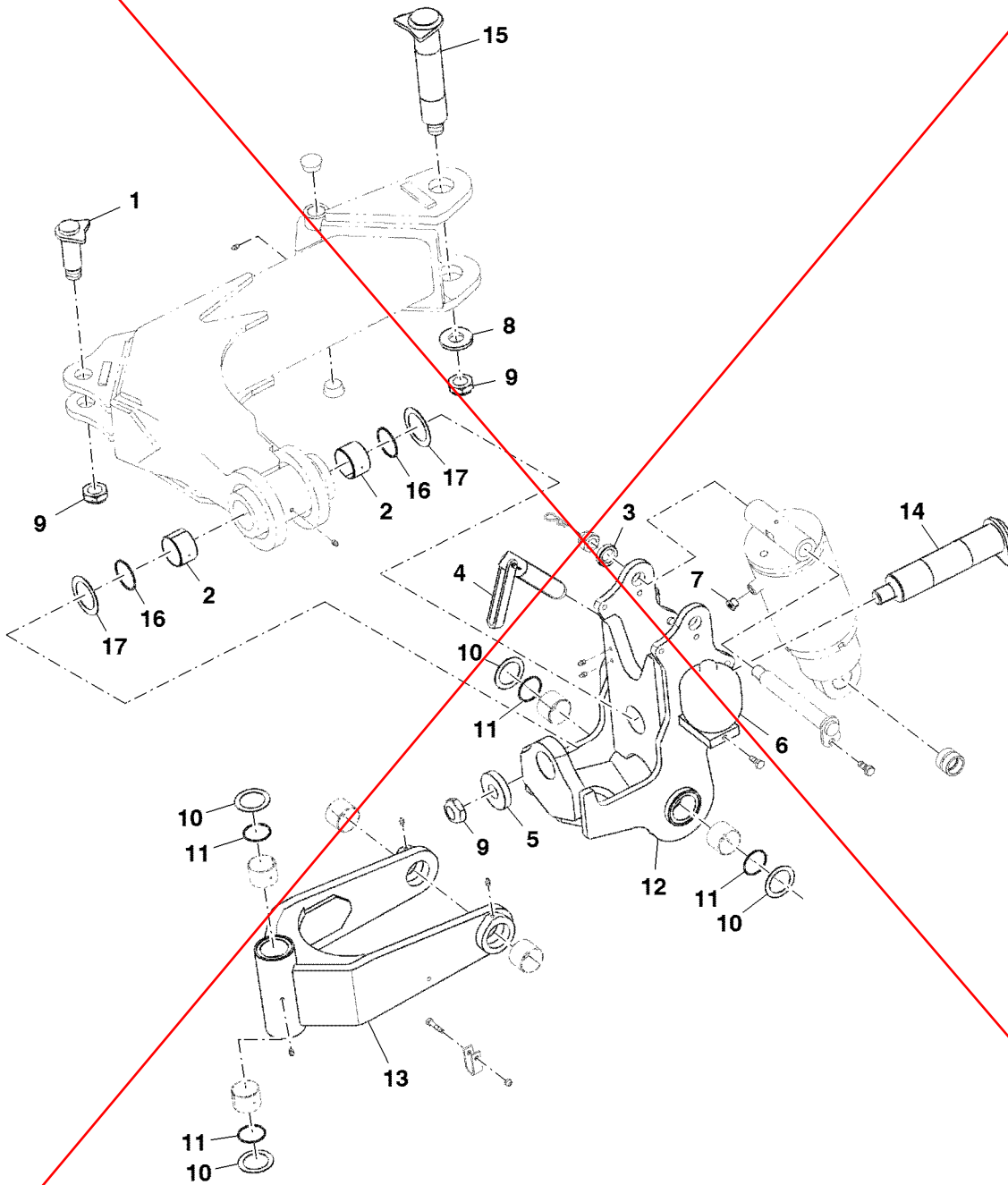
| Key | Part No.   | Part Name | Qty. | Serial No. | Remarks  |
|-----|------------|-----------|------|------------|----------|
| 1   | 5GB1212405 | Extension | 1    |            |          |
| 2   | 5GBVI3413  | Screw     | 12   |            | M22 X 70 |
| 3   | 5GBVJ329   | Nut       | 12   |            | M22      |

P  
R  
O  
O  
F

P  
R  
O  
O  
F  
  
P  
R  
O  
O  
F

Wheel 16.0 / 70 - 20 AS504, Yellow Rim (1/3)  
Колесо 16.0/70 — 20 AS504, желтый обод (1/3)

PY57602 A 1



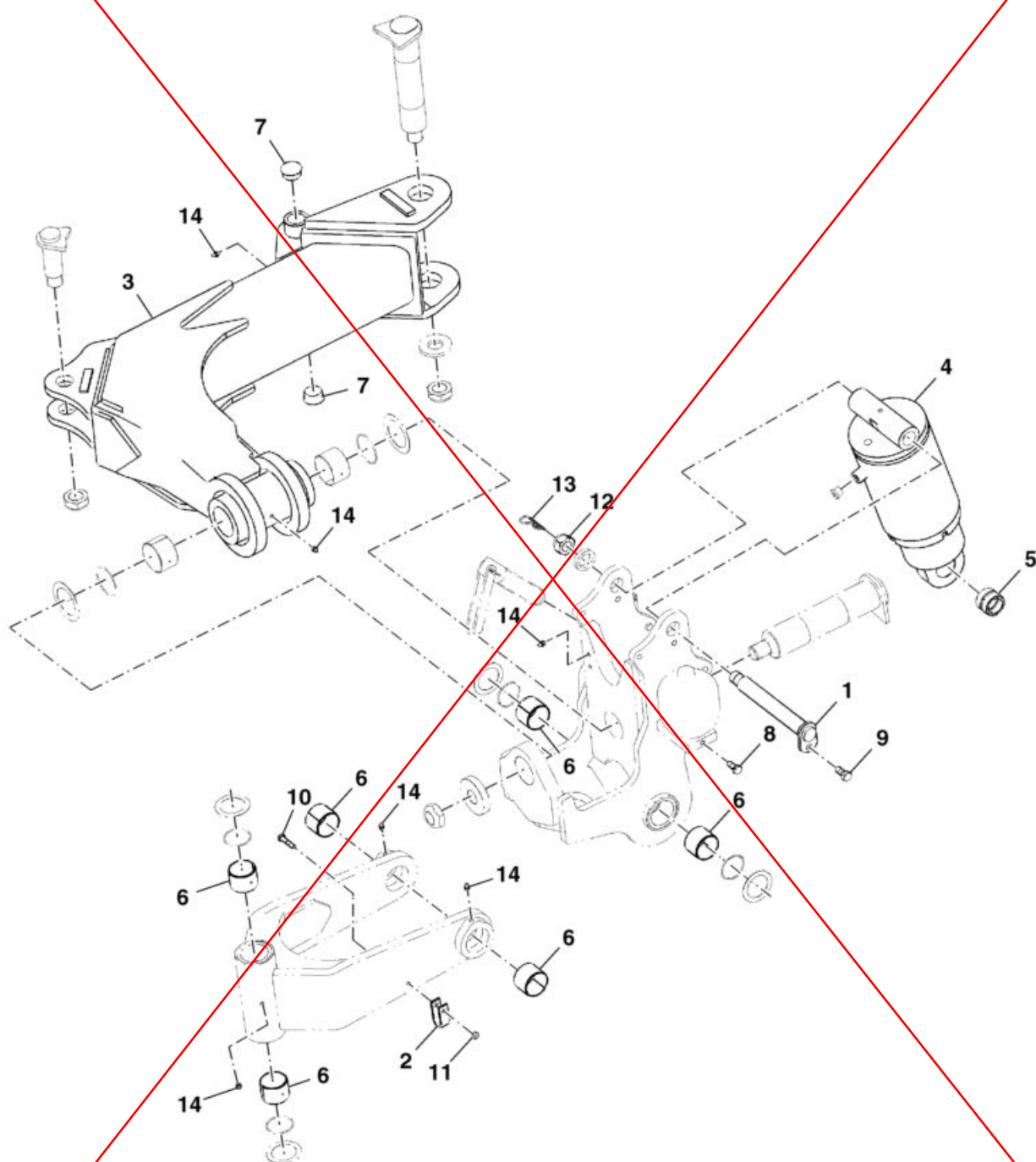
PY57602

| Key | Part No.   | Part Name       | Qty. | Serial No. | Remarks        |
|-----|------------|-----------------|------|------------|----------------|
| 1   | 5GB1113832 | Axle            | 1    |            |                |
| 2   | 5GB1116224 | Bushing         | 1    |            |                |
| 3   | 5GB1116624 | Ring            | 1    |            |                |
| 4   | 5GB1122868 | Adjuster        | 1    |            | M36            |
| 5   | 5GB1231149 | Washer          | 1    |            |                |
| 6   | 5GB1233105 | Accumulator Kit | 1    |            |                |
| 7   | 5GB1233216 | Stop            | 1    |            |                |
| 8   | 5GB1233264 | Washer          | 1    |            |                |
| 9   | 5GB1233267 | Nut             | 1    |            | M30            |
| 10  | 5GB1233269 | Washer          | 1    |            | 50 X 70 X 1 mm |
| 11  | 5GB1233271 | O-Ring          | 1    |            |                |
| 12  | 5GB1292302 | Beam            | 1    |            |                |
| 13  | 5GB1292303 | Cradle          | 1    |            |                |
| 14  | 5GB1292307 | Axle            | 1    |            |                |
| 15  | 5GB1292308 | Axle            | 1    |            |                |
| 16  | 5GB1292310 | O-Ring          | 1    |            |                |
| 17  | 5GB1292311 | Stop            | 1    |            | 60 X 85 X 1 mm |

DRAFT OF PROOF

Wheel 16.0 / 70 - 20 AS504, Yellow Rim (2/3)  
Колесо 16.0/70 — 20 AS504, желтый обод (2/3)

PY57603 A.1



PY57603

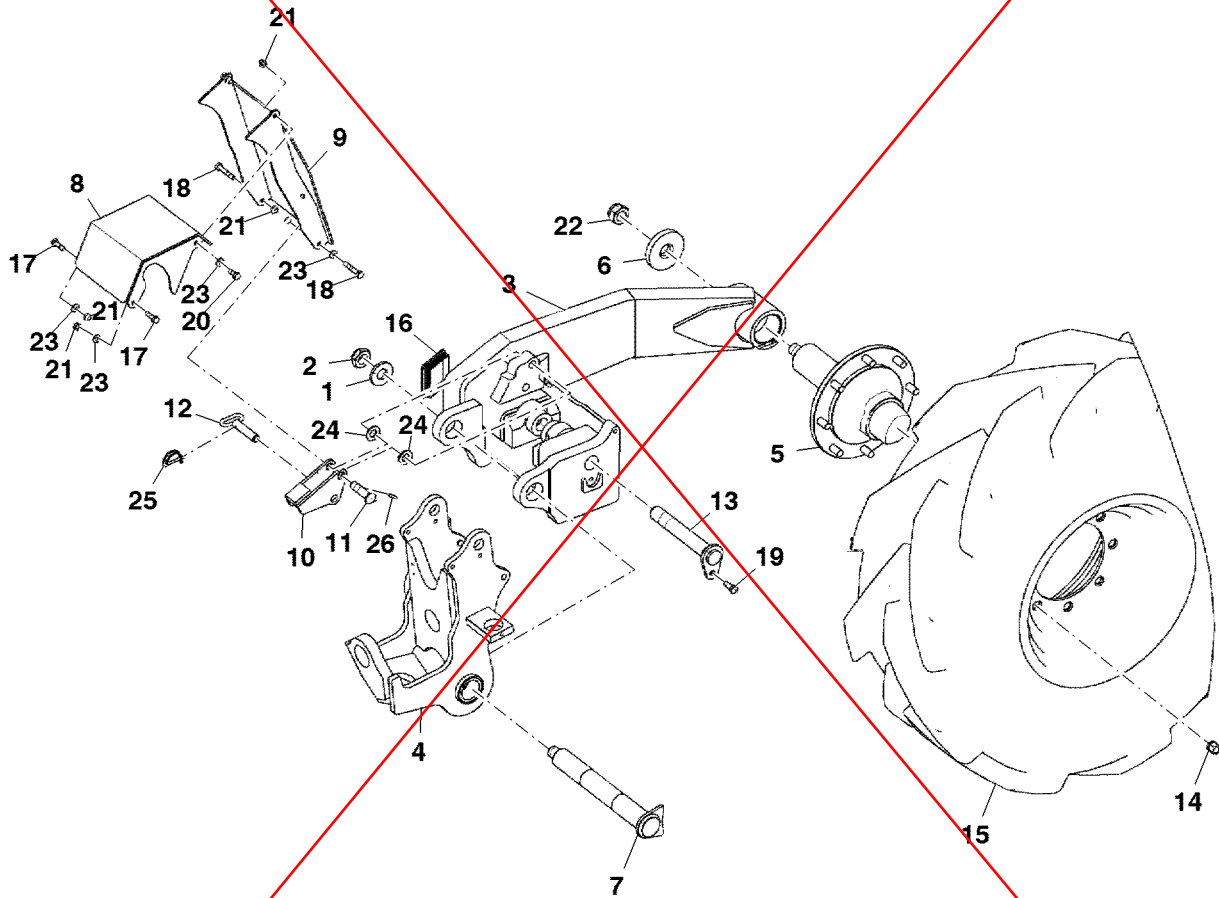


| Key | Part No.   | Part Name | Qty. | Serial No. | Remarks  |
|-----|------------|-----------|------|------------|----------|
| 1   | 5GB1292320 | Axle      | 1    |            |          |
| 2   | 5GB1292339 | Wheel     | 1    |            |          |
|     | 5GB1292342 | Hose      | 1    |            |          |
|     | 5GB1292354 | Grease    | 1    |            |          |
| 3   | 5GB1292358 | Wheel     | 1    |            |          |
| 4   | 5GB1292371 | Cylinder  | 1    |            |          |
| 5   | 5GB1292372 | Steel     | 1    |            |          |
| 6   | 5GB122246  | Bushing   | 6    |            |          |
| 7   | 5GB325309  | Plug      | 2    |            |          |
| 8   | 5GBVI2105  | Screw     | 1    |            | M10 X 25 |
| 9   | 5GBVI2433  | Screw     | 1    |            | M12 X 22 |
| 10  | 5GBVI2708  | Screw     | 1    |            | M8 X 40  |
| 11  | 5GBVJ320   | Nut       | 1    |            | M8       |
| 12  | 5GBVJ331   | Nut       | 1    |            | M24      |
| 13  | 5GBVL001   | Clip      | 1    |            |          |
| 14  | 5GBVM201   | Grease    | 7    |            | M8       |

DRAFT  
OF  
PARTS  
LIST

Wheel 16.0 / 70 - 20 AS504, Yellow Rim (3/3)  
Колесо 16.0/70 — 20 AS504, желтый обод (3/3)

PY57604 A.1

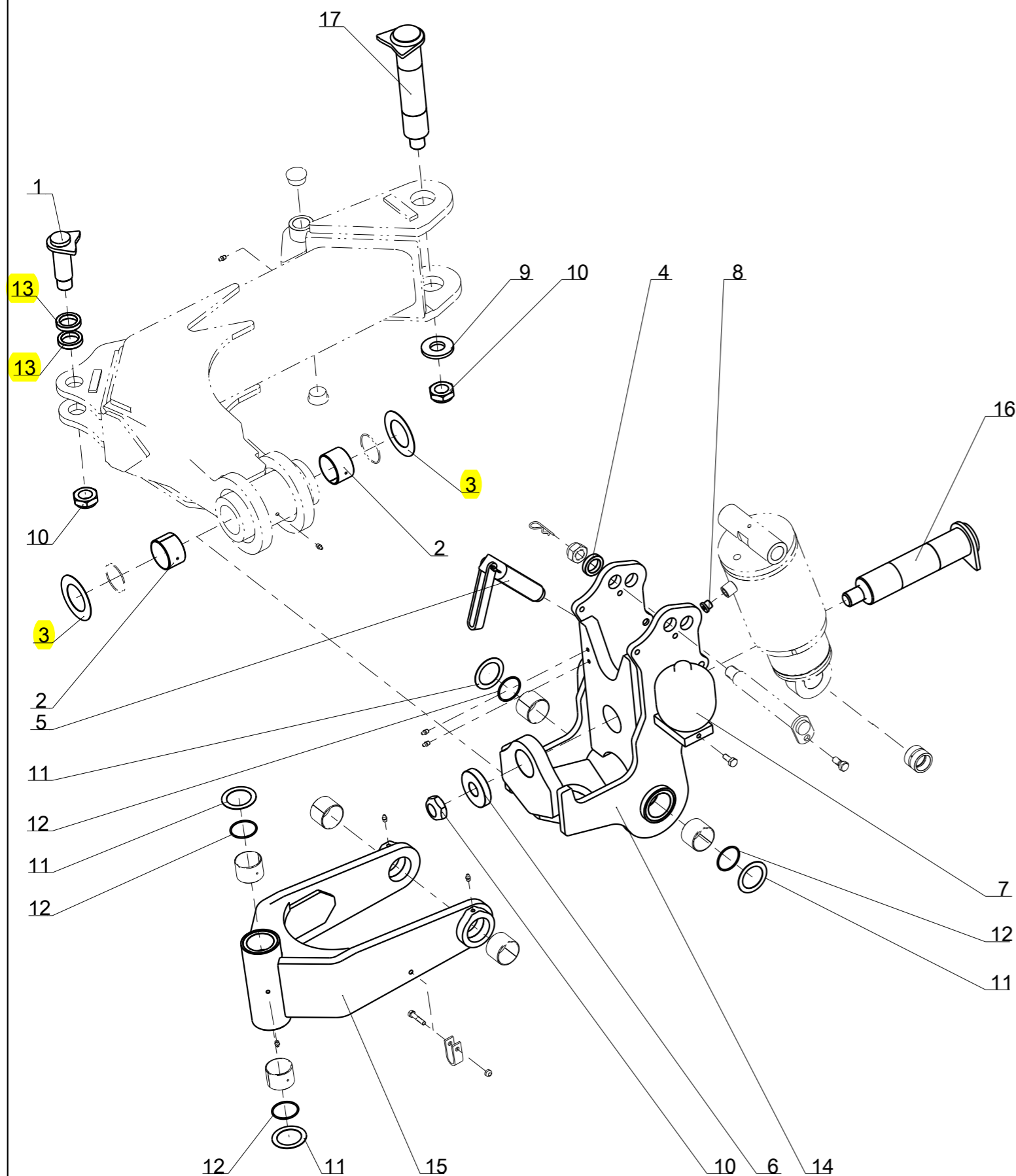


PY57604

| Key | Part No.    | Part Name | Qty. | Serial No. | Remarks  |
|-----|-------------|-----------|------|------------|----------|
| 1   | 5GB1233264  | Washer    | 1    |            |          |
| 2   | 5GB1233267  | Nut       | 1    |            |          |
| 3   | 5GB1292301  | Arm       | 1    |            | M30      |
| 4   | 5GB1292302  | Beam      | 1    |            |          |
| 5   | 5GB1292306  | Hub       | 1    |            |          |
| 6   | 5GB1292309  | Washer    | 1    |            |          |
| 7   | 5GB1292312  | Axle      | 1    |            |          |
| 8   | 5GB1292314  | Cover     | 1    |            |          |
| 9   | 5GB1292315  | Case      | 1    |            |          |
| 10  | 5GB1292336  | Stop      | 1    |            |          |
| 11  | 5GB1292337  | Axle      | 1    |            |          |
| 12  | 5GB1292338  | Pin       | 1    |            |          |
| 13  | 5GB1292374  | Axle      | 1    |            |          |
| 14  | 5GB198376   | Wheel     | 8    |            | M18      |
| 15  | 5GB198734DY | Wheel     | 1    |            |          |
| 16  | 5GB325312   | Screw     | 1    |            |          |
| 17  | 5GBVI2805   | Screw     | 2    |            | M10 X 35 |
| 18  | 5GBVI2812   | Screw     | 2    |            | M10 X 60 |
| 19  | 5GBVI2904   | Screw     | 1    |            | M12 X 30 |
| 20  | 5GBVI4003   | Screw     | 2    |            | M10 X 25 |
| 21  | 5GBVJ321    | Nut       | 6    |            | M10      |
| 22  | 5GBVJ335    | Nut       | 1    |            | M30      |
| 23  | 5GBVK503    | Washer    | 5    |            |          |
| 24  | 5GBVK508    | Washer    | 2    |            |          |
| 25  | 5GBVL107    | Pipe      | 1    |            |          |
| 26  | 5GBVL213    | Pin       | 1    |            |          |

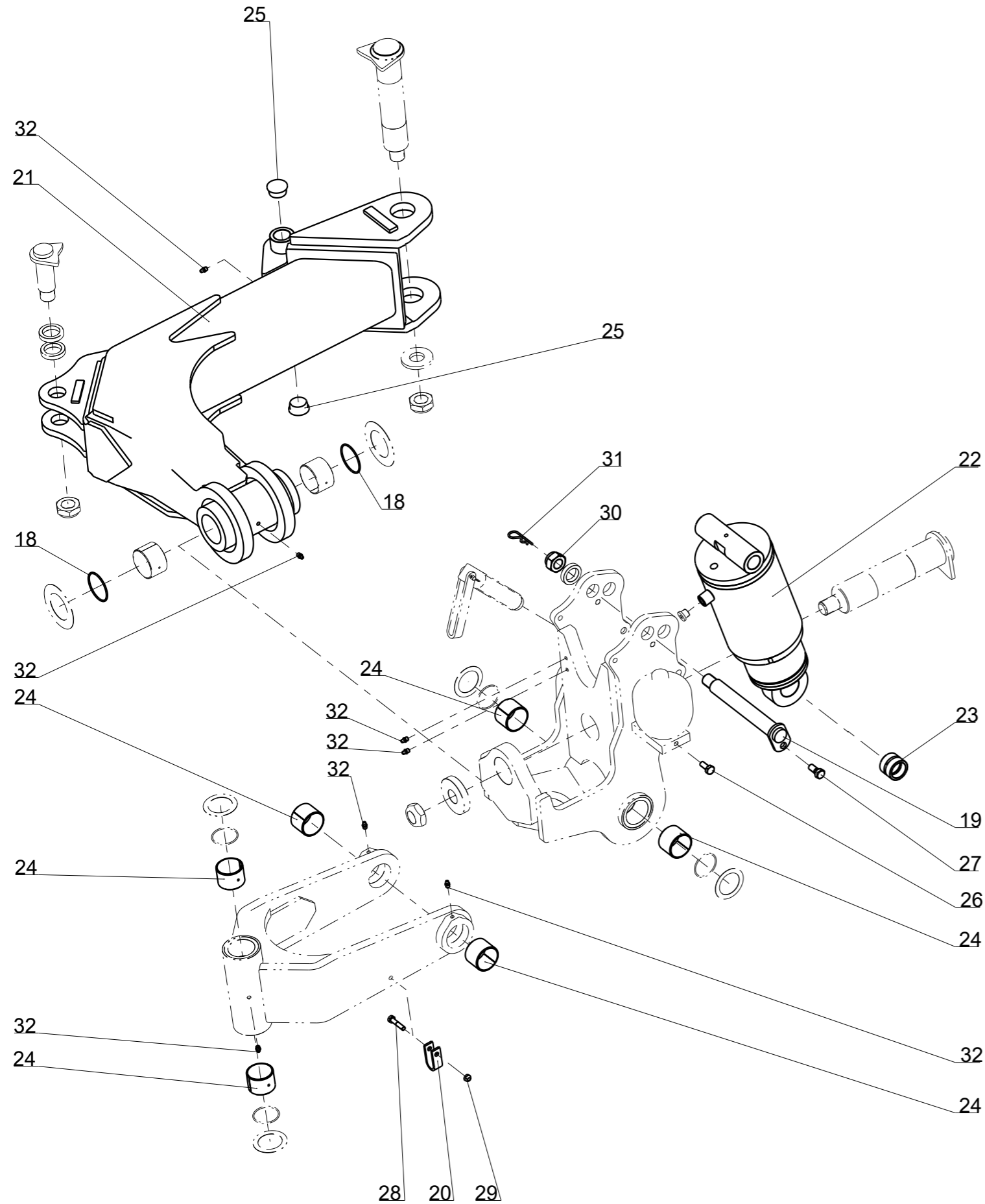


# Wheel 16.0/70-20 AS504, yellow rim



| Repere | Quantité | Reference    | Designation                                |
|--------|----------|--------------|--|
| 1      | 1        | 5GB1 113 832 | Rear axle of the working width cylinder    |
| 2      | 2        | 5GB1 116 224 | Bronze bushing - Dia60x65, lg. : 40 mm     |
| 3      | 2        | 5GB1 116 261 | Special washer - 60.2x100x1                |
| 4      | 1        | 5GB1 116 624 | Ring Dia30.5x 45 Lg:10mm                   |
| 5      | 1        | 5GB1 122 868 | Inclination adjuster M36 Lg:190            |
| 6      | 1        | 5GB1 231 149 | Cardan washer - Dia 30.5 x 80, ep. : 15 mm |
| 7      | 1        | 5GB1 233 105 | Accumulator 0.75 l. set 90 bars            |
| 8      | 1        | 5GB1 233 216 | Stop end male 3/8 Co                       |
| 9      | 1        | 5GB1 233 264 | Special flat washer - 30.5x65x7            |
| 10     | 3        | 5GB1 233 267 | Nyloc nut H M30, thread 2.00, 20 mm thick. |
| 11     | 4        | 5GB1 233 269 | Special flat washer - 50x70x1              |
| 12     | 4        | 5GB1 233 271 | O-Ring Dia 50x2,5                          |
| 13     | 2        | 5GB1 234 112 | Spacer washer 50x35.5x10                   |
| 14     | 1        | 5GB1 292 302 | Central beam / wheel                       |
| 15     | 1        | 5GB1 292 303 | Cradle / wheel                             |
| 16     | 1        | 5GB1 292 307 | Axle / cradle                              |
| 17     | 1        | 5GB1 292 308 | Welded rear axle                           |

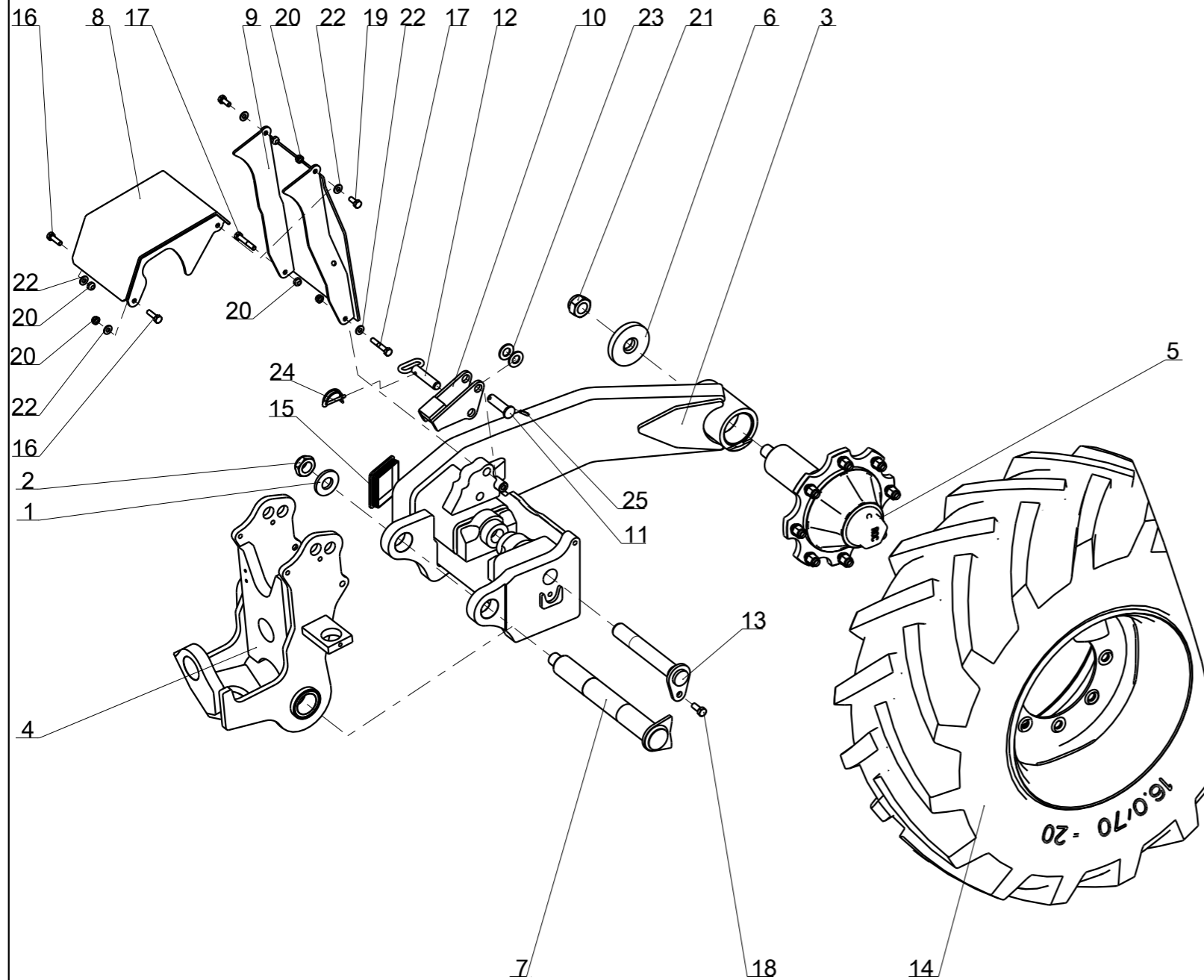
# Wheel 16.0/70-20 AS504, yellow rim



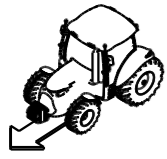
| Repere | Quantité | Reference    | Designation                                       |
|--------|----------|--------------|---|
| 18     | 2        | 5GB1 292 310 | O-ring 60x2,5                                     |
| 19     | 1        | 5GB1 292 320 | Sup. axle of ram                                  |
| 20     | 1        | 5GB1 292 339 | U for wheel hid. hose                             |
| -      | 1        | 5GB1 292 342 | Hydraulic kit for wheel semi-mounted single wheel |
| -      | 1        | 5GB1 292 354 | Grease wheel kit                                  |
| 21     | 1        | 5GB1 292 358 | Wheel arm   |
| 22     | 1        | 5GB1 292 371 | Ram SA 125 Str.125                                |
| 23     | 1        | 5GB1 292 372 | Steel bushing 35x45 Lg:35                         |
| 24     | 6        | 5GB122 246   | Bronze bushing - Dia50x55, lg. : 40 mm            |
| 25     | 2        | 5GB325 309   | Plastic plug Tube D.35                            |
| 26     | 1        | 5GBVI 21 05  | Screw H M10x 25 - 8.8 ZNBL, cup point             |
| 27     | 1        | 5GBVI 24 33  | Screw H conical M12x22 lg. : 36                   |
| 28     | 1        | 5GBVI 27 08  | Screw H M8x 40 - 8.8 ZNBL                         |
| 29     | 1        | 5GBVJ 320    | Nyloc nut std H M 8 - 8 ZNBL                      |
| 30     | 1        | 5GBVJ 331    | Nyloc nut std H M 24 - 8 ZNBL                     |
| 31     | 1        | 5GBVL 001    | R Clip - 3, Z                                     |
| 32     | 7        | 5GBVM 201    | Grease nipple - M8, thread125                     |



# Wheel 16.0/70-20 AS504, yellow rim

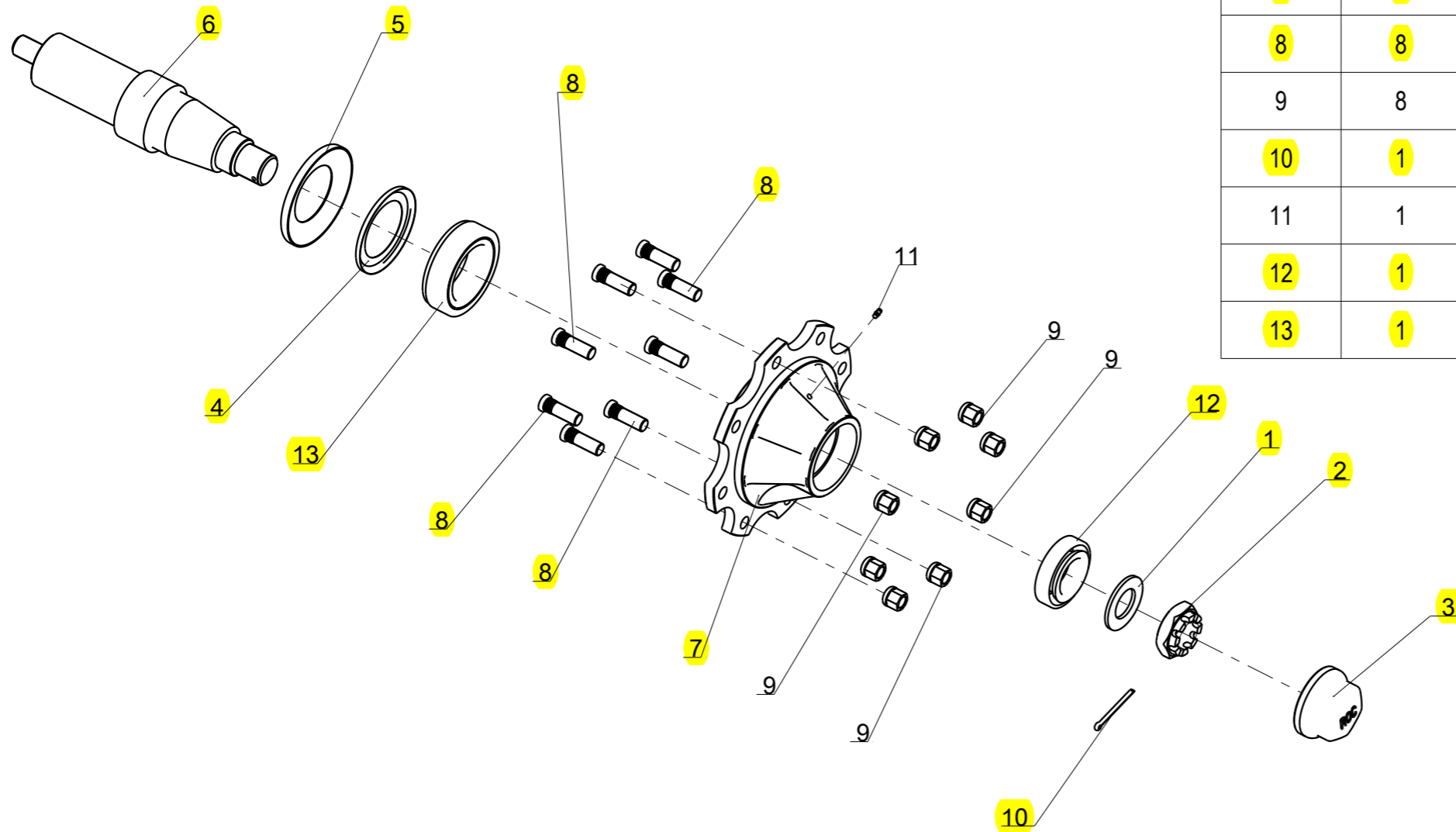


| Repere | Quantité | Reference     | Designation  |
|--------|----------|---------------|--|
| 1      | 1        | 5GB1 233 264  | Special flat washer - 30.5x65x7                                    |
| 2      | 1        | 5GB1 233 267  | Nyloc nut H M30, thread 2.00, 20 mm thick.                         |
| 3      | 1        | 5GB1 292 301  | Wheel arm  |
| 4      | 1        | 5GB1 292 302  | Central beam / wheel   |
| 5      | 1        | 5GB1 292 306  | Complete hub 8-holes   |
| 6      | 1        | 5GB1 292 309  | Tightening washer / hub  |
| 7      | 1        | 5GB1 292 312  | Welded axle  |
| 8      | 1        | 5GB1 292 314  | Ram protection / wheel   |
| 9      | 1        | 5GB1 292 315  | Rear protection case / wheel                                       |
| 10     | 1        | 5GB1 292 336  | Transport stop / wheel   |
| 11     | 1        | 5GB1 292 337  | Axle (transport stop) / wheel                                      |
| 12     | 1        | 5GB1 292 338  | Welded transport pin / wheel                                       |
| 13     | 1        | 5GB1 292 374  | Lower axle / Lift ram  |
| 14     | 1        | 5GB198 734 DY | Cplt wheel - 16.0/70-20 TL AS504,8 studs, R.H. tractor, Yellow rim |
| 15     | 1        | 5GB325 312    | Plastic plug Tube 100x100  |
| 16     | 2        | 5GBVI 28 05   | Screw H M10x 35 - 8.8 ZNBL   |
| 17     | 2        | 5GBVI 28 12   | Screw H M10x 60 - 8.8 ZNBL   |
| 18     | 1        | 5GBVI 29 04   | Screw H M12x 30 - 8.8 ZNBL   |
| 19     | 2        | 5GBVI 40 03   | Screw H M10x 25 - 8.8 ZNBL   |
| 20     | 6        | 5GBVJ 321     | Nyloc nut std H M 10 - 8 ZNBL                                      |
| 21     | 1        | 5GBVJ 335     | Nyloc nut std H M 30 - 8 ZNBL - thread 200                         |
| 22     | 5        | 5GBVK 503     | Flat washer MU10 ZNBL  |
| 23     | 2        | 5GBVK 508     | Flat washer MU20 ZNBL  |
| 24     | 1        | 5GBVL 107     | Pipe lynch pin - 6 Z   |
| 25     | 1        | 5GBVL 213     | Thick roll pin - 6x30 mm   |

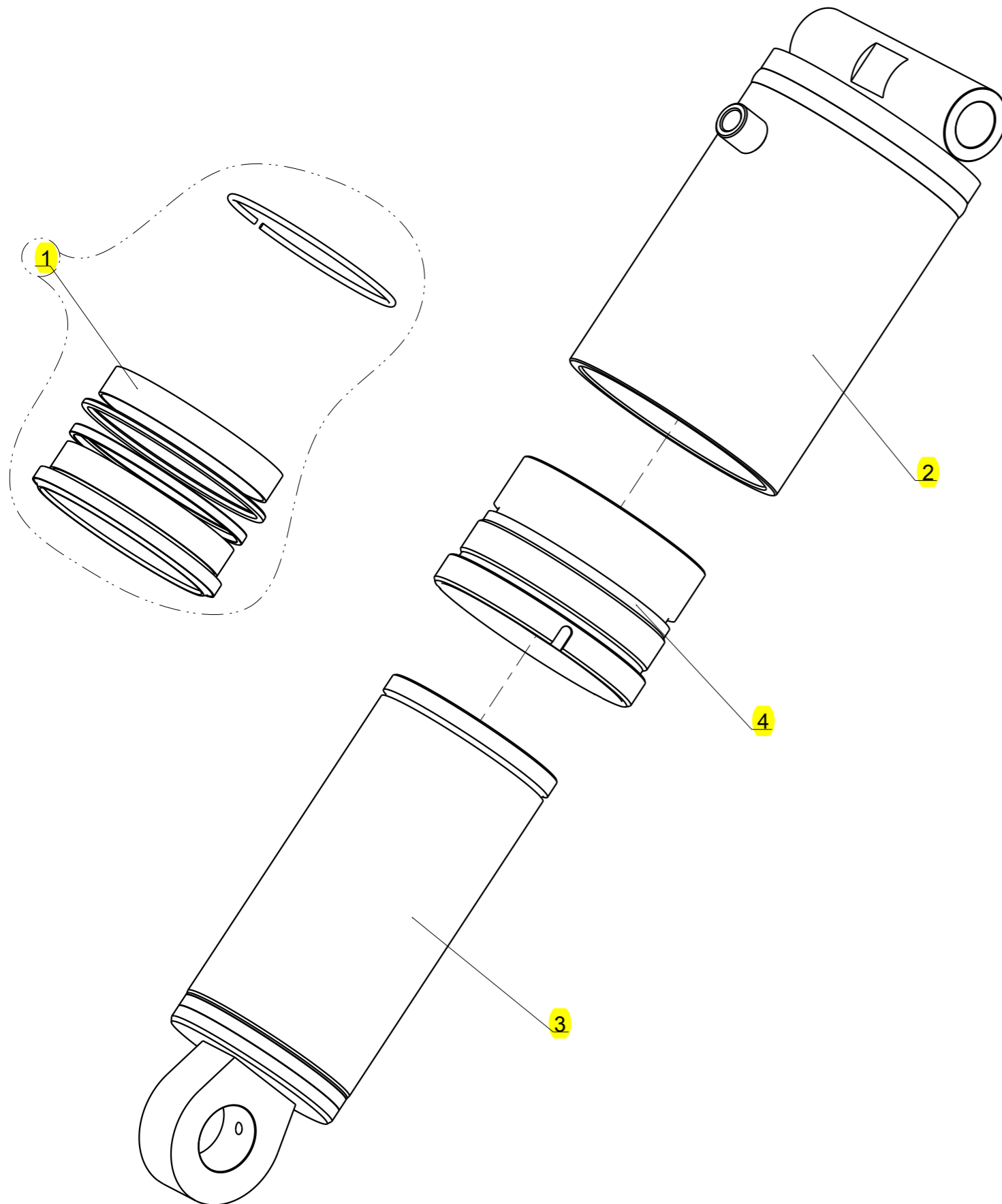


## Complete hub 8-holes

| Index | Quantité | Référence      | Designation                        |
|-------|----------|----------------|------------------------------------|
| 1     | 1        | 5GB1 235 146   | Washer 45x80 Lg:5                  |
| 2     | 1        | 5GB1 235 147   | Nut HK M 45x 200 - 8 - ZNBL, Ht:28 |
| 3     | 1        | 5GB1 235 148   | Wheel hub cap - M101.5x1.5         |
| 4     | 1        | 5GB1 292 306 A | Grease retainer (908X)             |
| 5     | 1        | 5GB1 292 306 B | Wrap cup (908X)                    |
| 6     | 1        | 5GB1 292 306 C | Hub axle (908X)                    |
| 7     | 1        | 5GB1 292 378   | Hub 8-holes (908X)                 |
| 8     | 8        | 5GB12 708      | Wheel stud M18x150 Lg:50           |
| 9     | 8        | 5GB198 376     | Wheel nut - M18, thread 1.50       |
| 10    | 1        | 5GBVL 416      | Split pin V 6.3x70                 |
| 11    | 1        | 5GBVM 211      | Grease nipple - M6, thread100      |
| 12    | 1        | 5GBVN 32 211   | Taper roller bearing               |
| 13    | 1        | 5GBVN 33 017   | Taper roller bearing               |



# Ram SA 125 Str.125

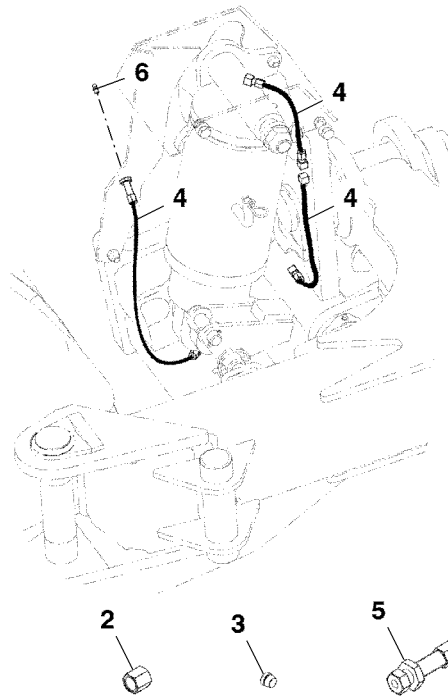


| Index | Quantité | Référence      | Designation                      |
|-------|----------|----------------|----------------------------------|
| 1     | 1        | 5GB1 233 208   | Seal kit / 1 292 371 & 1 233 209 |
| 2     | 1        | 5GB1 292 371 A | Ram cylinder SA 125 Str.125      |
| 3     | 1        | 5GB1 292 371 B | Ram stick SA 125 Str. 125        |
| 4     | 1        | 5GB1 292 371 D | Ram stick guide SA 125           |



**Hydraulic Cylinder Kit and Hoses**  
**Комплект гидравлического цилиндра и шланги**

PY57605 A.1



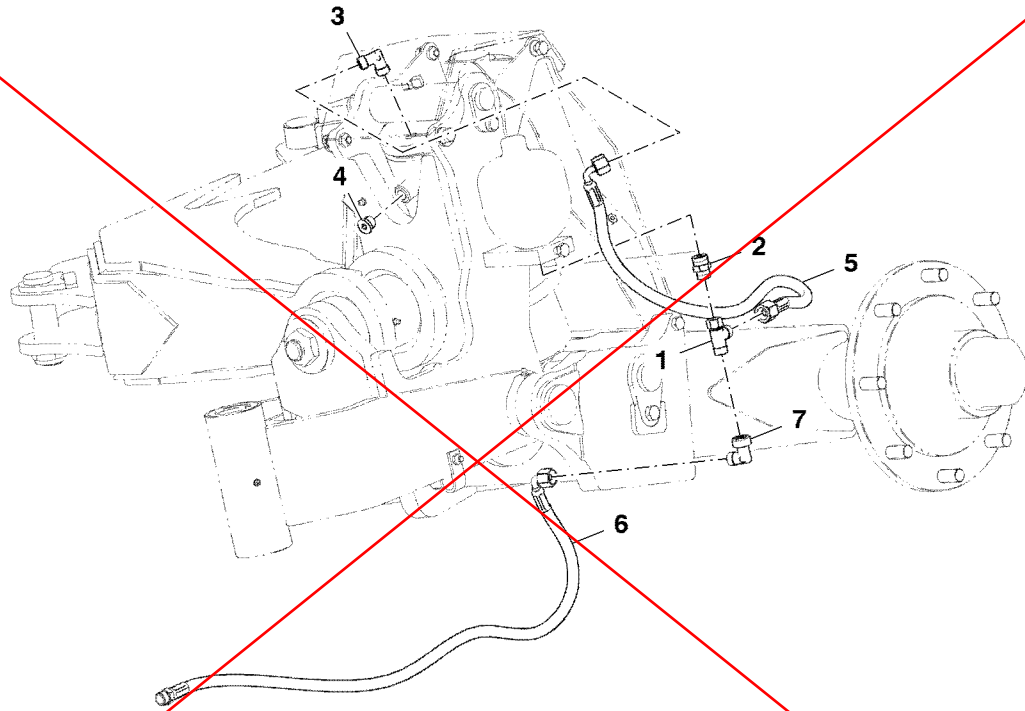
PY57605

| Key | Part No.   | Part Name              | Qty. | Serial No. | Remarks |
|-----|------------|------------------------|------|------------|---------|
| 1   | 5GB1292349 | Pipe                   | 5    |            | M8      |
| 2   | 5GB1292350 | Nut                    | 5    |            |         |
| 3   | 5GB1292351 | Ring                   | 5    |            |         |
| 4   | 5GB1292352 | Hydraulic Cylinder Kit | 3    |            |         |
| 5   | 5GB1292353 | Coupling               | 1    |            |         |
| 6   | 5GBVM211   | Grease                 | 1    |            | M6      |

P  
R  
O  
O  
F

Hydraulic Hoses and Fittings  
Гидравлические шланги и фитинги

PY57606 A.1



PY57606

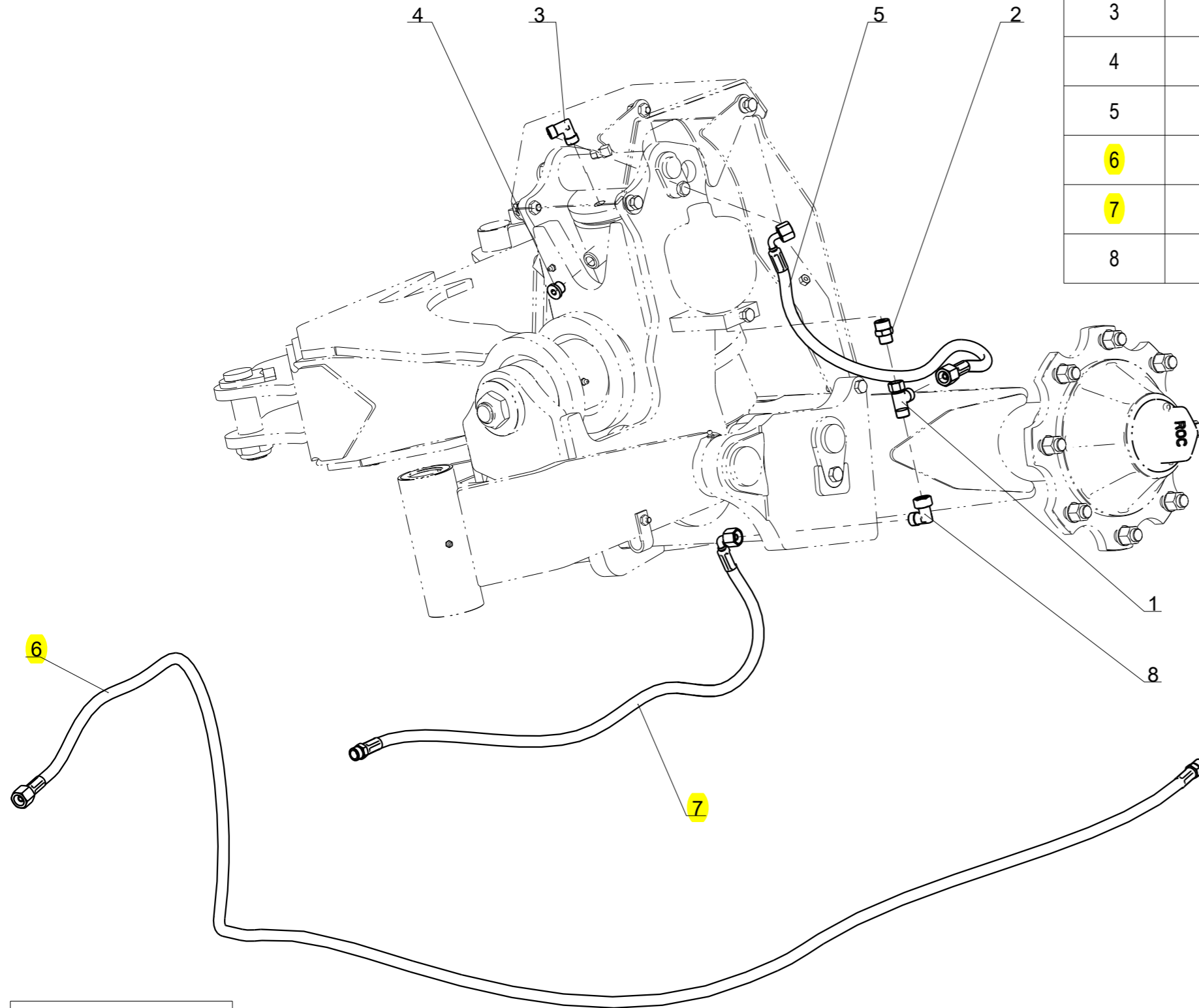
| Key | Part No.   | Part Name     | Qty. | Serial No. | Remarks |
|-----|------------|---------------|------|------------|---------|
| 1   | 5GB1112972 | Fitting       | 1    |            | M12     |
| 2   | 5GB1116809 | Union Fitting | 1    |            | M12     |
| 3   | 5GB1116521 | Fitting       | 1    |            | M12     |
| 4   | 5GB1122756 | Stop          | 1    |            |         |
| 5   | 5GB1223136 | Hose          | 1    |            |         |
| 6   | 5GB1292343 | Hose          | 1    |            | M12     |
| 7   | 5GB122315  | Fitting       | 1    |            | M12     |

D  
R  
O  
O  
F



## Hydraulic kit for wheel semi-mounted single wheel

| Repere | Quantite | Reference    | Designation  |
|--------|----------|--------------|--|
| 1      | 1        | 5GB1 112 972 | Hydraulic 'T' - 2 M12 + F12                          |
| 2      | 1        | 5GB1 116 509 | Union M12 + M1/2 Cyl                                 |
| 3      | 1        | 5GB1 116 521 | Hydraulic elbow M12 + M3/8 Co                        |
| 4      | 1        | 5GB1 122 756 | Stop end male 3/8 Cyl                                |
| 5      | 1        | 5GB1 223 136 | Hydraulic hose 5/16 Lg:750 F12-F12 90°               |
| 6      | 1        | 5GB1 292 169 | Hydraulic hose - Dia 5/16", lg. : 3830 mm, F12-MVA18 |
| 7      | 1        | 5GB1 292 343 | Hydraulic hose 5/16 Lg:950 M12-F12 90°               |
| 8      | 1        | 5GB122 315   | Hydraulic adaptable elbow F12 + M12                  |



**5GB1 292 342 (1/1)**

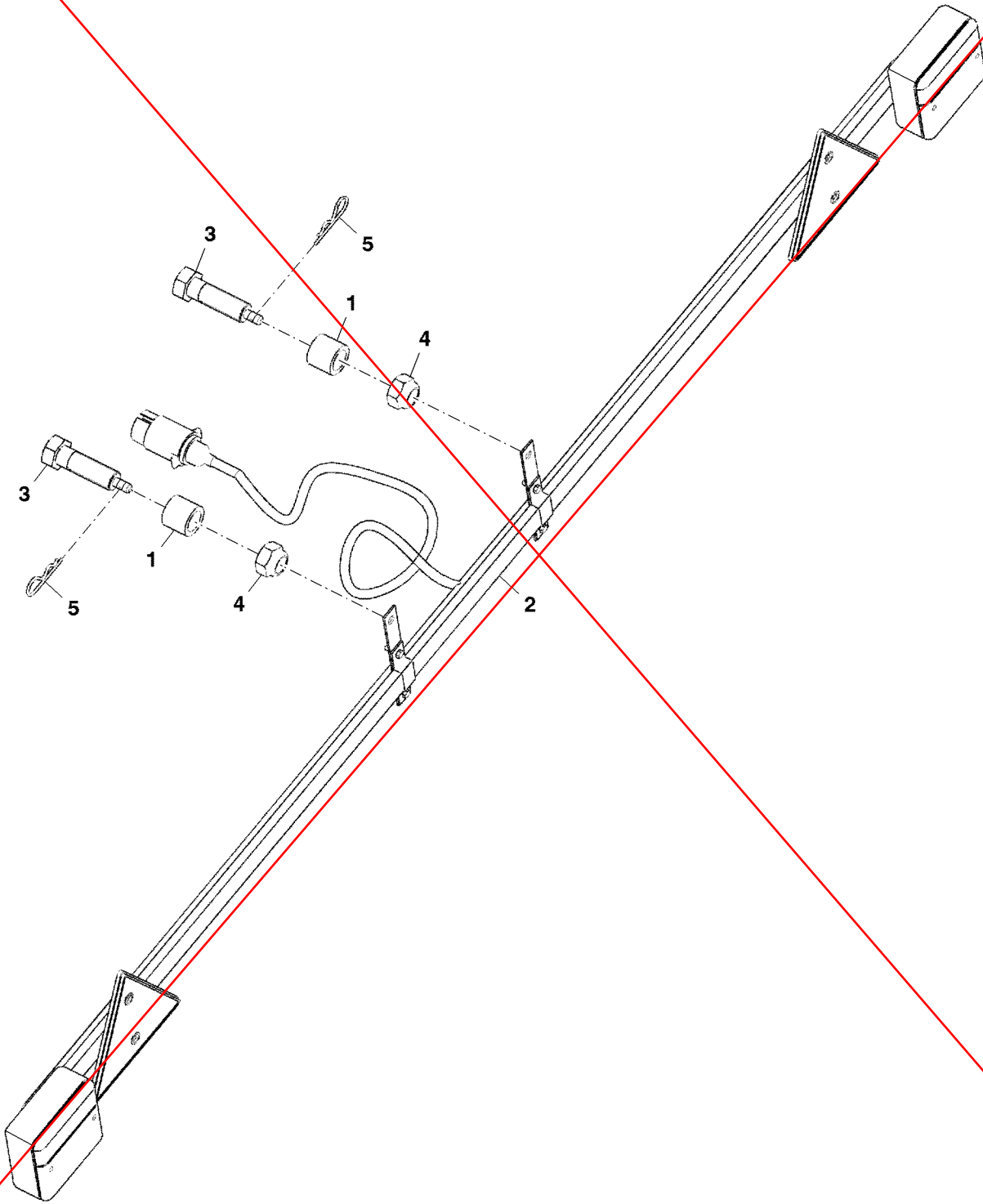
*if need for hydraulic hose protection, order the desired length*

| Picture | Qty / Количество | Reference / N° по каталогу | Designation / Наименование   |
|---------|------------------|----------------------------|--|
|         | meter            | 5GB1116581                 | Plastic flat spring Dia 15mm<br>Рессора плоская пластмассовая Dia15mm      |
|         | meter            | 5GB1116582                 | Plastic flat spring Dia 20mm<br>Рессора плоская пластмассовая Dia20mm      |
|         | meter            | 5GB1116580                 | Plastic flat spring Dia 13mm<br>Рессора плоская пластмассовая Dia13mm      |
|         | meter            | 5GB1116546                 | Plastic flat spring Dia25-40mm<br>Рессора плоская пластмассовая Dia25-40mm |

17-Jul-13

Revision : C  
M a J : 01-Apr-15

Kit for Ploughs Less than or Equal to 9 Bodies, on-land Plow  
Комплект для плугов не более 9 корпусов, плуг для работы вне борозды  
PY57656 A.1

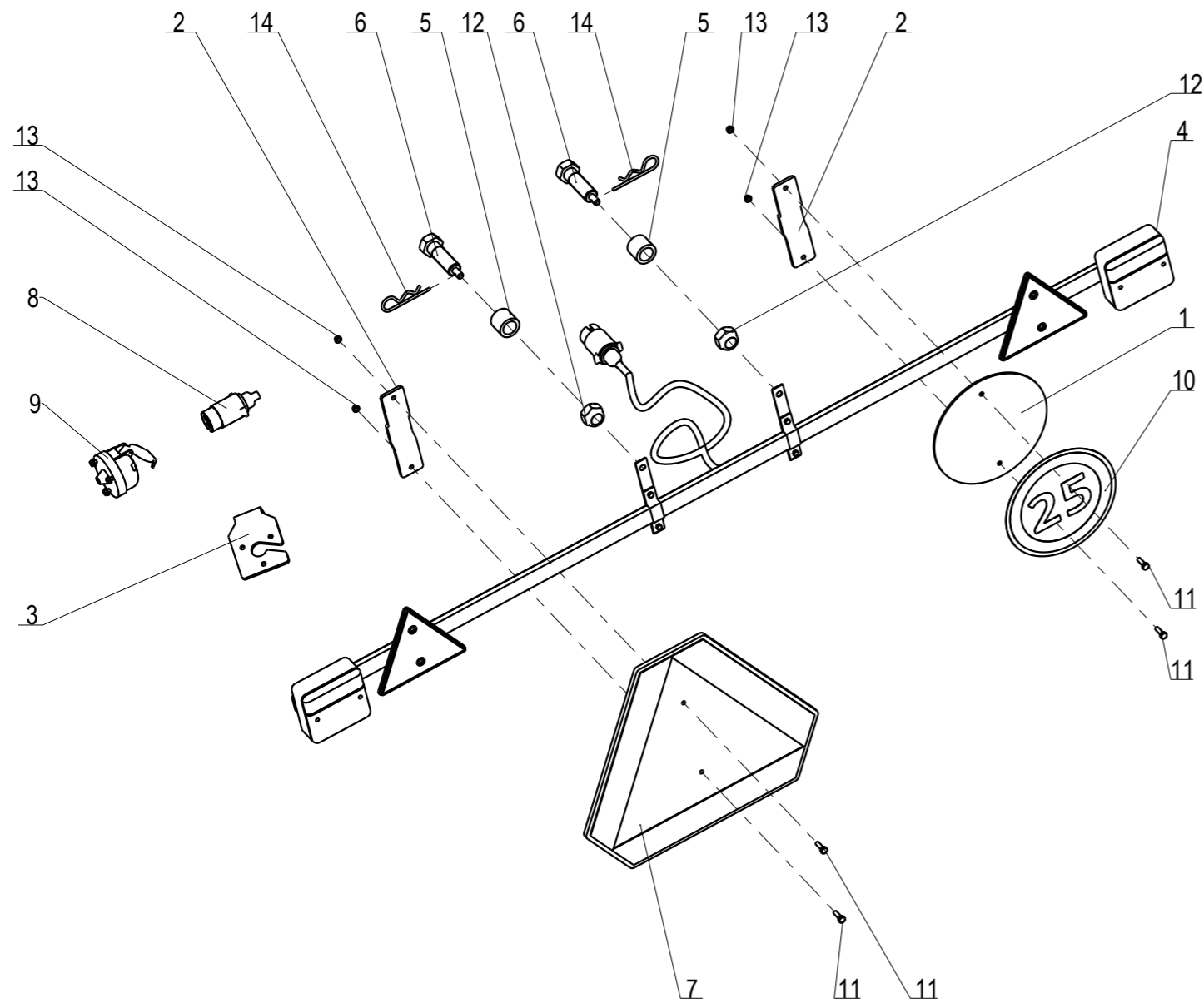
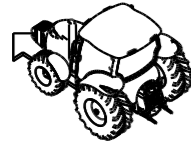


PY57656

| Key | Part No.   | Part Name | Qty. | Serial No. | Remarks  |
|-----|------------|-----------|------|------------|----------|
| 1   | 5GB1215150 | Sleeve    | 2    |            |          |
| 2   | 5GB1221216 | Trailer   | 1    |            |          |
| 3   | 5GB1291156 | Screw     | 2    |            | M22 X 90 |
| 4   | 5GBVJ329   | Nut       | 2    |            | M22      |
| 5   | 5GBVL001   | Clip      | 2    |            |          |

P  
R  
O  
O  
F  
  
P  
R  
O  
O  
F

# Rear lighting kit M22

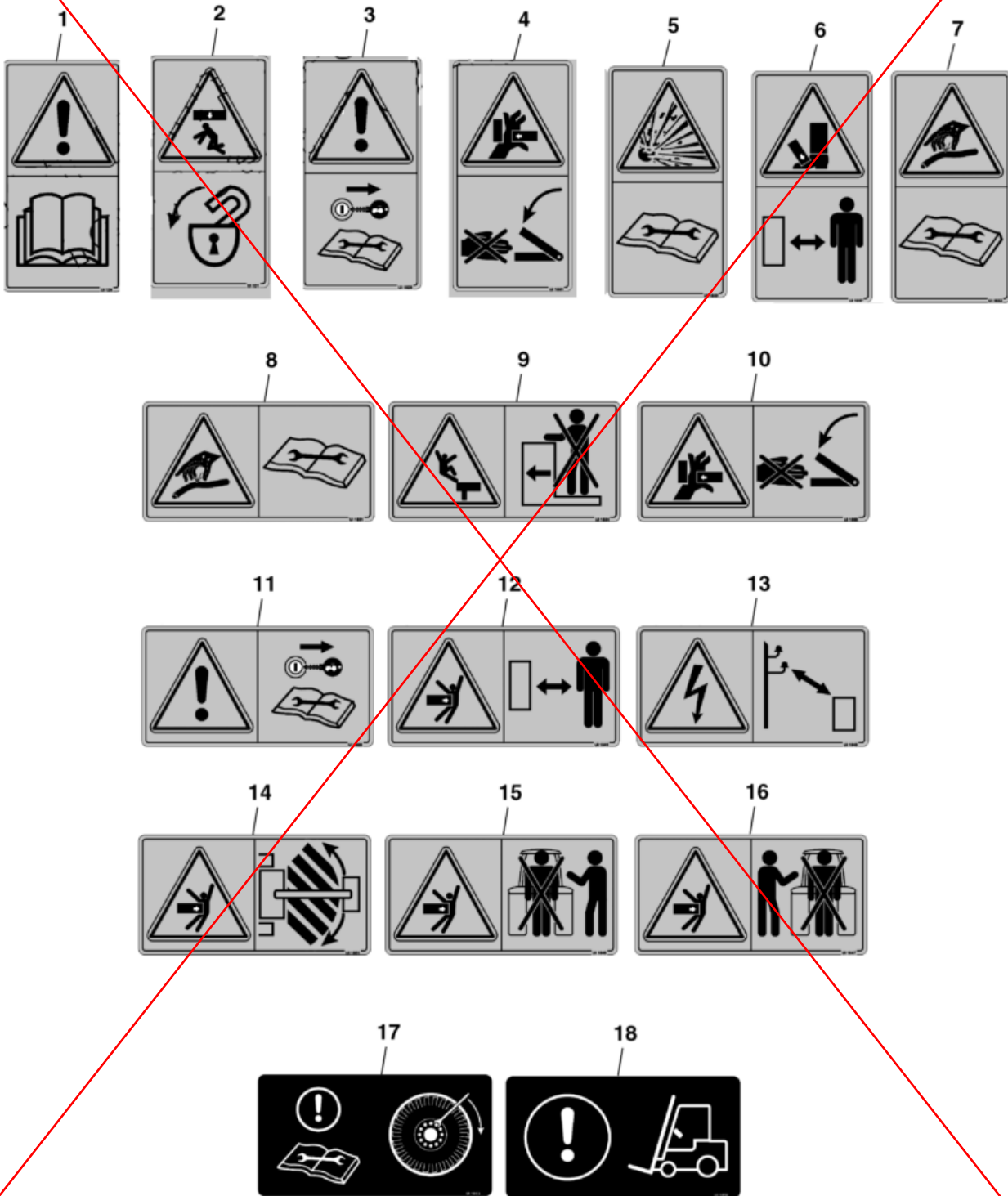


| Index | Qty | Reference      | Designation                               |
|-------|-----|----------------|---|
| 1     | 1   | 5GB1 214 186   | Support Adhesive 25km/h                   |
| 2     | 2   | 5GB1 214 192   | Flange                                    |
| 3     | 1   | 5GB1 214 198   | 7 pin plug holder                         |
| 4     | 1   | 5GB1 214 199   | Rear trailer board                        |
| 5     | 2   | 5GB1 215 150   | Sleeve extension Front double             |
| 6     | 2   | 5GB1 291 156   | Special screw for lighting board H M22x90 |
| 7     | 1   | 5GB6103.16.65  | triangle signaling                        |
| 8     | 1   | 5GB850 100 385 | Male electrical outlet                    |
| 9     | 1   | 5GB850 101 785 | Electrical outlet, 7 pin, female          |
| 10    | 1   | 5GB9998.25.04  | Adhesive 25km/h Russia                    |
| 11    | 4   | 5GBVI 26 03    | Screw H M6x 20 - 8.8 ZNBL                 |
| 12    | 2   | 5GBVJ 329      | Nyloc nut std H M 22- 8 ZNBL              |
| 13    | 4   | 5GBVJ 340      | Nyloc nut std H M 6 - 8 ZNBL              |
| 14    | 2   | 5GBVL 002      | R Clip - 4, Z                             |

Safety / Informations Stickers

Наклейки по технике безопасности / информационные наклейки

PY57585 A.1



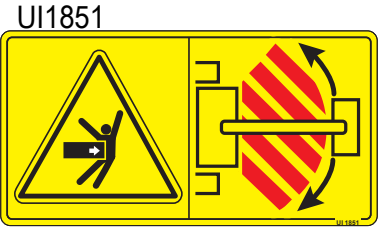
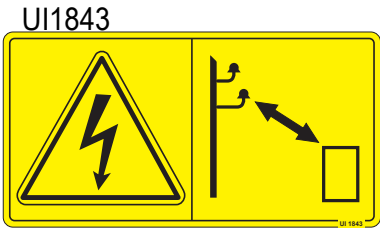
PY57585

| Key | Part No.  | Part Name | Qty. | Serial No. | Remarks                                  |
|-----|-----------|-----------|------|------------|--|
| 1   | 5GBUI129  | Label     | 1    |            | Safety Label 60 X 116 Vertical, Yellow   |
| 2   | 5GBUI131  | Label     | 1    |            | Safety Label 60 X 116 Vertical, Yellow   |
| 3   | 5GBUI1829 | Label     | 1    |            | Safety Label 60 X 116 Vertical, Yellow   |
| 4   | 5GBUI1861 | Label     | 1    |            | Safety Label 60 X 116 Vertical, Yellow   |
| 5   | 5GBUI1859 | Label     | 1    |            | Safety Label 60 X 116 Vertical, Yellow   |
| 6   | 5GBUI1857 | Label     | 1    |            | Safety Label 60 X 116 Vertical, Yellow   |
| 7   | 5GBUI1832 | Label     | 1    |            | Safety Label 60 X 116 Vertical, Yellow   |
| 8   | 5GBUI1831 | Label     | 1    |            | Safety Label 60 X 116 Horizontal, Yellow |
| 9   | 5GBUI1834 | Label     | 1    |            | Safety Label 60 X 116 Horizontal, Yellow |
| 10  | 5GBUI1860 | Label     | 1    |            | Safety Label 60 X 116 Horizontal, Yellow |
| 11  | 5GBUI1828 | Label     | 1    |            | Safety Label 60 X 116 Horizontal, Yellow |
| 12  | 5GBUI1841 | Label     | 1    |            | Safety Label 60 X 116 Horizontal, Yellow |
| 13  | 5GBUI1843 | Label     | 1    |            | Safety Label 60 X 116 Horizontal, Yellow |
| 14  | 5GBUI1851 | Label     | 1    |            | Safety Label 60 X 116 Horizontal, Yellow |
| 15  | 5GBUI1845 | Label     | 1    |            | Safety Label 60 X 116 Horizontal, Yellow |
| 16  | 5GBUI1847 | Label     | 1    |            | Safety Label 60 X 116 Horizontal, Yellow |
| 17  | 5GBUI1863 | Label     | 1    |            | Safety Label 60 X 116 Horizontal, Blue   |
| 18  | 5GBUI1852 | Label     | 1    |            | Safety Label 60 X 116 Horizontal, Blue   |

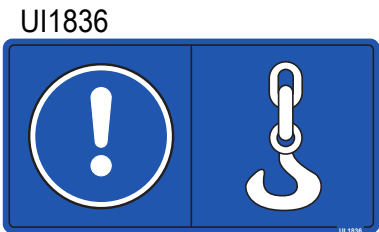
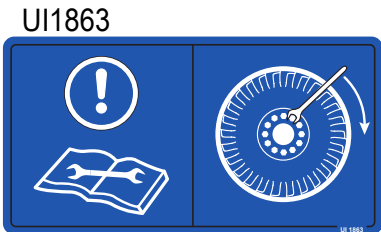


# Stickers for ploughs 3810L

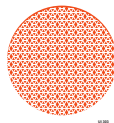
## Safety stickers



## Informations stickers



UI303

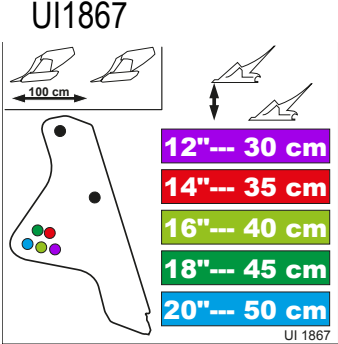
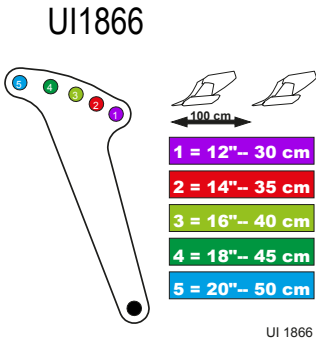


99982504



# Stickers for ploughs 3810L

## Stickers



3810" On Land " models (Left side)

48059210 6-furrows

48059211 7-furrows

48059212 8-furrows

3810" On Land " models (Right side)

48059213 6-furrows

48059214 7-furrows

48059215 8-furrows

- Complete kit stickers 5 & 6 furrows: 48089101
- Complete kit stickers 7 furrows : 48089105
- Complete kit stickers 8 furrows : 48089108

P  
R  
O  
O  
F  
  
P  
R  
O  
O  
F

## Numerical Index

| Part No.    | Key | Page | Part No.   | Key | Page | Part No.    | Key | Page |
|-------------|-----|------|------------|-----|------|-------------|-----|------|
| 5GB10654    | 3   | 55   | 5GB1123115 | 1   | 81   | 5GB122193   | 7   | 13   |
| 5GB1112424  | 1   | 103  | 5GB1212104 | 3   | 41   | 5GB122194   | 8   | 13   |
| 5GB1112424  | 1   | 27   | 5GB1212113 | 3   | 27   | 5GB122195   | 9   | 13   |
| 5GB1112424  | 1   | 31   | 5GB1212113 | 3   | 31   | 5GB122197   | 10  | 13   |
| 5GB1112424  | 1   | 35   | 5GB1212113 | 3   | 35   | 5GB122221   | 10  | 15   |
| 5GB1112424  | 1   | 41   | 5GB1212113 | 4   | 41   | 5GB122221   | 10  | 81   |
| 5GB1112424  | 1   | 95   | 5GB1212126 | 4   | 27   | 5GB122224   | 11  | 15   |
| 5GB1112424  | 1   | 99   | 5GB1212127 | 4   | 31   | 5GB122224   | 11  | 81   |
| 5GB1112972  | 1   | 115  | 5GB1212127 | 4   | 35   | 5GB122231   | 11  | 19   |
| 5GB1112972  | 1   | 52   | 5GB1212127 | 5   | 41   | 5GB122231   | 11  | 85   |
| 5GB1113832  | 1   | 101  | 5GB1212129 | 6   | 41   | 5GB122246   | 13  | 101  |
| 5GB1113832  | 1   | 105  | 5GB1212134 | 5   | 27   | 5GB122246   | 13  | 105  |
| 5GB1113832  | 1   | 109  | 5GB1212134 | 5   | 31   | 5GB122246   | 6   | 111  |
| 5GB1113832  | 1   | 97   | 5GB1212138 | 2   | 29   | 5GB122246   | 11  | 13   |
| 5GB1116144  | 1   | 90   | 5GB1212138 | 2   | 33   | 5GB122246   | 12  | 85   |
| 5GB1116169  | 2   | 27   | 5GB1212138 | 2   | 37   | 5GB122246   | 10  | 89   |
| 5GB1116169  | 1   | 29   | 5GB1212149 | 1   | 15   | 5GB122246   | 13  | 97   |
| 5GB1116169  | 2   | 31   | 5GB1212149 | 1   | 81   | 5GB122249   | 12  | 15   |
| 5GB1116169  | 1   | 33   | 5GB1212149 | ..  | 85   | 5GB122249   | 12  | 81   |
| 5GB1116169  | 2   | 35   | 5GB1212150 | 1   | 25   | 5GB122250   | 13  | 15   |
| 5GB1116169  | 1   | 37   | 5GB1212160 | 2   | 38   | 5GB122250   | 13  | 81   |
| 5GB1116169  | 1   | 38   | 5GB1212166 | 3   | 103  | 5GB122251   | 12  | 19   |
| 5GB1116169  | 2   | 41   | 5GB1212166 | 6   | 27   | 5GB122251   | 13  | 85   |
| 5GB1116224  | 2   | 109  | 5GB1212166 | 6   | 31   | 5GB122253   | 14  | 15   |
| 5GB1116314  | 1   | 19   | 5GB1212166 | 5   | 35   | 5GB122253   | 14  | 81   |
| 5GB1116363  | 1   | 22   | 5GB1212166 | 7   | 41   | 5GB122256   | 13  | 19   |
| 5GB1116509  | 2   | 115  | 5GB1212166 | 3   | 95   | 5GB122256   | 1   | 87   |
| 5GB1116509  | 2   | 52   | 5GB1212166 | 3   | 99   | 5GB122265   | 14  | 19   |
| 5GB1116521  | 3   | 115  | 5GB1212168 | 7   | 27   | 5GB122265   | 2   | 49   |
| 5GB1116525  | 2   | 90   | 5GB1212169 | 7   | 31   | 5GB122265   | 2   | 87   |
| 5GB1116546  | 18  | 103  | 5GB1212169 | 6   | 35   | 5GB122273   | 15  | 15   |
| 5GB1116546  | 7   | 22   | 5GB1212169 | 8   | 41   | 5GB122273   | 15  | 81   |
| 5GB1116546  | 7   | 25   | 5GB1212171 | 8   | 27   | 5GB122283   | 15  | 19   |
| 5GB1116546  | 13  | 27   | 5GB1212171 | 8   | 31   | 5GB122284   | 16  | 19   |
| 5GB1116546  | 13  | 31   | 5GB1212176 | 3   | 29   | 5GB122288   | 17  | 19   |
| 5GB1116546  | 13  | 35   | 5GB1212177 | 3   | 33   | 5GB122292   | 16  | 15   |
| 5GB1116546  | 15  | 41   | 5GB1212178 | 3   | 37   | 5GB122292   | 16  | 81   |
| 5GB1116546  | 6   | 52   | 5GB1212182 | 7   | 35   | 5GB122295   | 12  | 13   |
| 5GB1116546  | 4   | 90   | 5GB1212182 | 9   | 41   | 5GB122295   | 17  | 15   |
| 5GB1116546  | 18  | 99   | 5GB1212188 | 4   | 29   | 5GB122295   | 17  | 81   |
| 5GB1116580  | 18  | 103  | 5GB1212188 | 4   | 33   | 5GB122295   | 11  | 89   |
| 5GB1116580  | 7   | 22   | 5GB1212188 | 4   | 37   | 5GB1223112  | 2   | 15   |
| 5GB1116580  | 7   | 25   | 5GB1212401 | 2   | 101  | 5GB1223112  | 2   | 81   |
| 5GB1116580  | 13  | 27   | 5GB1212401 | 3   | 101  | 5GB1223115  | 3   | 15   |
| 5GB1116580  | 13  | 31   | 5GB1212401 | 2   | 105  | 5GB1223115  | 3   | 81   |
| 5GB1116580  | 13  | 35   | 5GB1212401 | 2   | 97   | 5GB1223116  | 2   | 19   |
| 5GB1116580  | 15  | 41   | 5GB1212402 | 3   | 97   | 5GB1223116  | 1   | 23   |
| 5GB1116580  | 6   | 52   | 5GB1212404 | 3   | 105  | 5GB1223116  | 1   | 85   |
| 5GB1116580  | 4   | 90   | 5GB1212405 | 1   | 106  | 5GB1223117  | 3   | 19   |
| 5GB1116580  | 18  | 99   | 5GB1212410 | 4   | 103  | 5GB1223117  | 2   | 23   |
| 5GB1116581  | 18  | 103  | 5GB1212410 | 4   | 95   | 5GB1223117  | 2   | 85   |
| 5GB1116581  | 7   | 22   | 5GB1212410 | 4   | 99   | 5GB1223118  | 3   | 23   |
| 5GB1116581  | 7   | 25   | 5GB1212411 | 5   | 103  | 5GB1223118  | 2   | 52   |
| 5GB1116581  | 13  | 27   | 5GB1212411 | 5   | 95   | 5GB1223136  | 5   | 115  |
| 5GB1116581  | 13  | 31   | 5GB1212411 | 5   | 99   | 5GB1223136  | 3   | 22   |
| 5GB1116581  | 13  | 35   | 5GB1212421 | 6   | 103  | 5GB122315   | 7   | 115  |
| 5GB1116581  | 15  | 41   | 5GB1212421 | 6   | 95   | 5GB122315   | 5   | 22   |
| 5GB1116581  | 6   | 52   | 5GB1212421 | 6   | 99   | 5GB1223152U | 4   | 15   |
| 5GB1116581  | 4   | 90   | 5GB1212422 | 7   | 95   | 5GB1223152U | 4   | 19   |
| 5GB1116581  | 18  | 99   | 5GB1212423 | 7   | 99   | 5GB1223152U | 4   | 81   |
| 5GB1116582  | 18  | 103  | 5GB1212424 | 7   | 103  | 5GB1223152U | 3   | 85   |
| 5GB1116582  | 7   | 22   | 5GB1212431 | 8   | 95   | 5GB1223155  | 5   | 19   |
| 5GB1116582  | 7   | 25   | 5GB1212432 | 8   | 99   | 5GB1223155  | 4   | 85   |
| 5GB1116582  | 13  | 27   | 5GB1212433 | 8   | 103  | 5GB1223156  | 6   | 19   |
| 5GB1116582  | 13  | 31   | 5GB1214130 | 4   | 101  | 5GB1223156  | 5   | 85   |
| 5GB1116582  | 13  | 35   | 5GB1214130 | 4   | 105  | 5GB1223157  | 7   | 19   |
| 5GB1116582  | 15  | 41   | 5GB1214130 | 4   | 97   | 5GB1223157  | 6   | 85   |
| 5GB1116582  | 6   | 52   | 5GB1215150 | 1   | 117  | 5GB1223158  | 8   | 19   |
| 5GB1116582  | 4   | 90   | 5GB122104  | 14  | 47   | 5GB1223158  | 7   | 85   |
| 5GB1116582  | 18  | 99   | 5GB122104  | 6   | 51   | 5GB1223164  | 5   | 15   |
| 5GB1116605  | 3   | 90   | 5GB122106  | 4   | 13   | 5GB1223164  | 5   | 81   |
| 5GB1116624  | 3   | 109  | 5GB122106  | 9   | 15   | 5GB1223173  | 6   | 15   |
| 5GB1118357  | 2   | 103  | 5GB122106  | 16  | 45   | 5GB1223173  | 6   | 81   |
| 5GB1118357  | 2   | 95   | 5GB122106  | 1   | 49   | 5GB1223180  | 6   | 25   |
| 5GB1118357  | 2   | 99   | 5GB122106  | 7   | 51   | 5GB1223194  | 9   | 19   |
| 5GB1118358  | 1   | 55   | 5GB122106  | 9   | 81   | 5GB1223194  | 8   | 85   |
| 5GB1118468  | 2   | 55   | 5GB122106  | 9   | 89   | 5GB1223210U | 1   | 13   |
| 5GB1118817  | 1   | 45   | 5GB122106  | 6   | 93   | 5GB1223211  | 7   | 15   |
| 5GB1118977U | 2   | 45   | 5GB1221216 | 2   | 117  | 5GB1223211  | 7   | 81   |
| 5GB1122376  | 1   | 47   | 5GB1221216 | 1   | 78   | 5GB1223221  | 2   | 13   |
| 5GB1122732  | 1   | 89   | 5GB1221224 | 2   | 22   | 5GB1223222  | 3   | 13   |
| 5GB1122756  | 4   | 115  | 5GB1221228 | 5   | 13   | 5GB1223222  | 1   | 21   |
| 5GB1122868  | 4   | 109  | 5GB122156  | 7   | 93   | 5GB122327   | 1   | 24   |
| 5GB1123115  | 1   | 15   | 5GB122191  | 6   | 13   | 5GB122328   | 2   | 24   |

## Numerical Index - Continued

| Part No.    | Key | Page | Part No.     | Key | Page | Part No.    | Key | Page |
|-------------|-----|------|--------------|-----|------|-------------|-----|------|
| 5GB122329   | 3   | 24   | 5GB1291308   | 4   | 93   | 5GB198376   | 8   | 51   |
| 5GB122330   | 4   | 24   | 5GB1291309   | 5   | 93   | 5GB198709Y  | 8   | 93   |
| 5GB122331   | 2   | 25   | 5GB1292103   | 4   | 45   | 5GB198734DY | 15  | 113  |
| 5GB122332   | 3   | 25   | 5GB1292105   | 1   | 42   | 5GB198734DY | 2   | 50   |
| 5GB122338   | 6   | 22   | 5GB1292106   | 2   | 42   | 5GB22044905 | 14  | 57   |
| 5GB1223401  | 9   | 85   | 5GB1292107   | 3   | 42   | 5GB22044905 | 14  | 61   |
| 5GB1223402  | 2   | 89   | 5GB1292108   | 4   | 42   | 5GB22044908 | 13  | 57   |
| 5GB1223403  | 3   | 89   | 5GB1292109   | 5   | 45   | 5GB22044908 | 13  | 61   |
| 5GB1223405  | 4   | 89   | 5GB1292110   | 6   | 45   | 5GB27001701 | 20  | 61   |
| 5GB1223406  | 5   | 89   | 5GB1292111   | 7   | 45   | 5GB27001702 | 15  | 61   |
| 5GB1223407  | 6   | 89   | 5GB1292112   | 8   | 45   | 5GB27002000 | 17  | 61   |
| 5GB1223408  | 7   | 89   | 5GB1292114   | 9   | 45   | 5GB27002603 | 4   | 57   |
| 5GB1223411  | 7   | 89   | 5GB1292115   | 2   | 47   | 5GB27002603 | 2   | 71   |
| 5GB122350   | 4   | 25   | 5GB1292116   | 3   | 47   | 5GB27002605 | 6   | 57   |
| 5GB122358   | 5   | 25   | 5GB1292117   | 4   | 47   | 5GB27002605 | 5   | 61   |
| 5GB122360   | 13  | 13   | 5GB1292147   | 5   | 47   | 5GB27002605 | 5   | 65   |
| 5GB122361   | 14  | 13   | 5GB1292148   | 6   | 47   | 5GB27002605 | 5   | 67   |
| 5GB122364   | 4   | 23   | 5GB1292150   | 1   | 51   | 5GB27002605 | 5   | 69   |
| 5GB122373   | 18  | 15   | 5GB1292151   | 2   | 51   | 5GB27002610 | 4   | 70   |
| 5GB122373   | 18  | 81   | 5GB1292153   | 3   | 51   | 5GB27002610 | 3   | 71   |
| 5GB122374   | 2   | 21   | 5GB1292155   | 4   | 51   | 5GB27002614 | 10  | 57   |
| 5GB122375   | 19  | 15   | 5GB1292169   | 4   | 22   | 5GB27002614 | 10  | 61   |
| 5GB122375   | 1   | 83   | 5GB1292178   | 5   | 29   | 5GB27004114 | 14  | 63   |
| 5GB12279    | 6   | 29   | 5GB1292178   | 5   | 33   | 5GB27004114 | 2   | 65   |
| 5GB12279    | 6   | 33   | 5GB1292178   | 5   | 37   | 5GB27004114 | 6   | 69   |
| 5GB12279    | 6   | 37   | 5GB1292182   | 7   | 47   | 5GB27010101 | 15  | 57   |
| 5GB12280    | 7   | 29   | 5GB1292194   | 5   | 51   | 5GB27010101 | 3   | 59   |
| 5GB12280    | 7   | 33   | 5GB1292195   | 1   | 50   | 5GB27010101 | 16  | 61   |
| 5GB12280    | 7   | 37   | 5GB1292224   | 10  | 45   | 5GB27010201 | 21  | 61   |
| 5GB1231103  | 3   | 45   | 5GB1292225   | 11  | 45   | 5GB27010300 | 1   | 59   |
| 5GB1231149  | 5   | 109  | 5GB1292226   | 12  | 45   | 5GB27010310 | 18  | 61   |
| 5GB1233105  | 6   | 109  | 5GB1292228   | 13  | 45   | 5GB27011901 | 1   | 71   |
| 5GB1233105  | 4   | 52   | 5GB1292301   | 3   | 113  | 5GB27011902 | 1   | 71   |
| 5GB1233216  | 7   | 109  | 5GB1292302   | 12  | 109  | 5GB27150501 | 8   | 73   |
| 5GB1233264  | 9   | 103  | 5GB1292302   | 4   | 113  | 5GB27150502 | 7   | 73   |
| 5GB1233264  | 8   | 109  | 5GB1292303   | 13  | 109  | 5GB27150701 | 10  | 73   |
| 5GB1233264  | 1   | 113  | 5GB1292306   | 5   | 113  | 5GB27150702 | 9   | 73   |
| 5GB1233264  | 9   | 95   | 5GB1292307   | 14  | 109  | 5GB27200500 | 17  | 59   |
| 5GB1233264  | 9   | 99   | 5GB1292308   | 11  | 103  | 5GB27200500 | 13  | 67   |
| 5GB1233267  | 5   | 101  | 5GB1292308   | 15  | 109  | 5GB27200500 | 4   | 71   |
| 5GB1233267  | 10  | 103  | 5GB1292308   | 11  | 95   | 5GB27200605 | 9   | 59   |
| 5GB1233267  | 5   | 105  | 5GB1292308   | 11  | 99   | 5GB27200605 | 6   | 63   |
| 5GB1233267  | 9   | 109  | 5GB1292309   | 6   | 113  | 5GB27200606 | 9   | 59   |
| 5GB1233267  | 2   | 113  | 5GB1292310   | 16  | 109  | 5GB27200606 | 6   | 63   |
| 5GB1233267  | 10  | 95   | 5GB1292311   | 17  | 109  | 5GB27200701 | 5   | 59   |
| 5GB1233267  | 5   | 97   | 5GB1292312   | 7   | 113  | 5GB27200701 | 3   | 63   |
| 5GB1233267  | 10  | 99   | 5GB1292314   | 8   | 113  | 5GB27201101 | 7   | 59   |
| 5GB1233269  | 6   | 101  | 5GB1292315   | 9   | 113  | 5GB27201101 | 5   | 63   |
| 5GB1233269  | 6   | 105  | 5GB1292320   | 1   | 111  | 5GB27290101 | 4   | 67   |
| 5GB1233269  | 10  | 109  | 5GB1292336   | 10  | 113  | 5GB27290101 | 4   | 69   |
| 5GB1233269  | 6   | 97   | 5GB1292337   | 11  | 113  | 5GB27290102 | 4   | 67   |
| 5GB1233271  | 7   | 101  | 5GB1292338   | 12  | 113  | 5GB27290102 | 4   | 69   |
| 5GB1233271  | 7   | 105  | 5GB1292339   | 2   | 111  | 5GB27290701 | 1   | 67   |
| 5GB1233271  | 11  | 109  | 5GB1292342   | 2   | 111  | 5GB27290701 | 1   | 69   |
| 5GB1233271  | 7   | 97   | 5GB1292343   | 6   | 115  | 5GB27290702 | 1   | 67   |
| 5GB1234112  | 8   | 101  | 5GB1292349   | 1   | 114  | 5GB27290702 | 1   | 69   |
| 5GB1234112  | 8   | 105  | 5GB1292350   | 2   | 114  | 5GB27310700 | 13  | 63   |
| 5GB1234112  | 8   | 89   | 5GB1292351   | 3   | 114  | 5GB27310700 | 12  | 67   |
| 5GB1234112  | 8   | 97   | 5GB1292352   | 4   | 114  | 5GB27310700 | 13  | 69   |
| 5GB1235106  | 8   | 15   | 5GB1292353   | 5   | 114  | 5GB27510001 | 16  | 59   |
| 5GB1235106  | 8   | 81   | 5GB1292354   | 2   | 111  | 5GB27510101 | 1   | 57   |
| 5GB12355    | 8   | 47   | 5GB1292358   | 3   | 111  | 5GB27510101 | 1   | 61   |
| 5GB12359    | 9   | 47   | 5GB1292360   | 9   | 101  | 5GB27510102 | 1   | 57   |
| 5GB12361    | 10  | 47   | 5GB1292360   | 9   | 105  | 5GB27510102 | 1   | 61   |
| 5GB12362    | 14  | 45   | 5GB1292360   | 9   | 97   | 5GB27510205 | 14  | 59   |
| 5GB125DA17A | 4   | 55   | 5GB1292362   | 10  | 101  | 5GB27510205 | 2   | 61   |
| 5GB125DA21A | 5   | 55   | 5GB1292362   | 10  | 105  | 5GB27510305 | 7   | 57   |
| 5GB126D14   | 13  | 59   | 5GB1292362   | 10  | 97   | 5GB27510305 | 6   | 61   |
| 5GB126D14   | 11  | 63   | 5GB1292364   | 11  | 101  | 5GB27510401 | 3   | 57   |
| 5GB126D175A | 12  | 75   | 5GB1292364   | 11  | 105  | 5GB27510402 | 3   | 57   |
| 5GB12701    | 11  | 47   | 5GB1292364   | 11  | 97   | 5GB27510501 | 2   | 57   |
| 5GB12705    | 15  | 45   | 5GB1292365   | 12  | 101  | 5GB27510501 | 3   | 61   |
| 5GB12705    | 12  | 47   | 5GB1292365   | 12  | 105  | 5GB27510502 | 2   | 57   |
| 5GB12738    | 13  | 47   | 5GB1292365   | 12  | 97   | 5GB27510502 | 3   | 61   |
| 5GB127DB20A | 8   | 59   | 5GB1292371   | 4   | 111  | 5GB27510901 | 7   | 65   |
| 5GB127DB20A | 9   | 63   | 5GB1292372   | 5   | 111  | 5GB27510902 | 1   | 65   |
| 5GB1291128  | 2   | 78   | 5GB1292374   | 13  | 113  | 5GB27511001 | 1   | 70   |
| 5GB1291156  | 3   | 117  | 5GB1481D1030 | 11  | 73   | 5GB27511002 | 1   | 70   |
| 5GB1291302  | 1   | 93   | 5GB1481D2145 | 12  | 57   | 5GB27512000 | 15  | 59   |
| 5GB1291303  | 2   | 93   | 5GB1481D2145 | 12  | 61   | 5GB27512000 | 9   | 61   |
| 5GB1291306  | 10  | 19   | 5GB1481D645A | 27  | 75   | 5GB27512201 | 6   | 65   |
| 5GB1291306  | 10  | 85   | 5GB198231    | 17  | 45   | 5GB27512202 | 4   | 65   |
| 5GB1291306  | 3   | 93   | 5GB198376    | 14  | 113  | 5GB27513001 | 5   | 57   |

## Numerical Index - Continued

| Part No.     | Key | Page | Part No.     | Key | Page | Part No.  | Key | Page |
|--------------|-----|------|--------------|-----|------|-----------|-----|------|
| 5GB27513001  | 4   | 61   | 5GB980DV12M  | 8   | 69   | 5GBVI3506 | 5   | 17   |
| 5GB27513002  | 5   | 57   | 5GB980DV12NA | 4   | 59   | 5GBVI3506 | 6   | 83   |
| 5GB27513002  | 4   | 61   | 5GB980DV12NA | 2   | 63   | 5GBVI3508 | 13  | 103  |
| 5GB27542602  | 4   | 73   | 5GB980DV12NA | 5   | 71   | 5GBVI3508 | 9   | 27   |
| 5GB27542901  | 14  | 73   | 5GB980DV8NA  | 28  | 75   | 5GBVI3508 | 9   | 31   |
| 5GB27542902  | 13  | 73   | 5GB984D522   | 18  | 75   | 5GBVI3508 | 9   | 35   |
| 5GB27543001  | 12  | 73   | 5GB985D24PA  | 4   | 77   | 5GBVI3508 | 11  | 41   |
| 5GB27544001  | 2   | 73   | 5GBG2729003  | ..  | 67   | 5GBVI3508 | 13  | 95   |
| 5GB27550101  | 15  | 63   | 5GBG2729004  | ..  | 67   | 5GBVI3508 | 13  | 99   |
| 5GB27550102  | 15  | 63   | 5GBG2729018  | ..  | 69   | 5GBVI3515 | 4   | 21   |
| 5GB27550201  | 16  | 63   | 5GBG2729019  | ..  | 69   | 5GBVI3515 | 10  | 27   |
| 5GB27550202  | 16  | 63   | 5GBG7210185  | 5   | 77   | 5GBVI3515 | 10  | 31   |
| 5GB27550301  | 17  | 63   | 5GBUI129     | 1   | 119  | 5GBVI3515 | 10  | 35   |
| 5GB27550302  | 17  | 63   | 5GBUI131     | 2   | 119  | 5GBVI3515 | 12  | 41   |
| 5GB27550501  | 8   | 61   | 5GBUI141     | 14  | 101  | 5GBVI3515 | 4   | 87   |
| 5GB27550601  | 12  | 63   | 5GBUI141     | 14  | 105  | 5GBVI3516 | 19  | 45   |
| 5GB27550602  | 12  | 63   | 5GBUI141     | 8   | 29   | 5GBVI3533 | 16  | 101  |
| 5GB27550701  | 18  | 63   | 5GBUI141     | 8   | 33   | 5GBVI3533 | 16  | 105  |
| 5GB27550702  | 18  | 63   | 5GBUI141     | 8   | 37   | 5GBVI3533 | 9   | 29   |
| 5GB325309    | 7   | 111  | 5GBUI141     | 14  | 97   | 5GBVI3533 | 9   | 33   |
| 5GB325312    | 16  | 113  | 5GBUI1828    | 11  | 119  | 5GBVI3533 | 9   | 37   |
| 5GB470D50    | 15  | 75   | 5GBUI1829    | 3   | 119  | 5GBVI3533 | 16  | 97   |
| 5GB47880851  | 1   | 77   | 5GBUI1831    | 8   | 119  | 5GBVI3702 | 5   | 49   |
| 5GB47880860  | 2   | 77   | 5GBUI1832    | 7   | 119  | 5GBVI3704 | 6   | 49   |
| 5GB47880865  | 3   | 77   | 5GBUI1834    | 9   | 119  | 5GBVI4003 | 20  | 113  |
| 5GB600100008 | 8   | 35   | 5GBUI1841    | 12  | 119  | 5GBVI4101 | 20  | 45   |
| 5GB600100008 | 10  | 41   | 5GBUI1843    | 13  | 119  | 5GBVI4102 | 14  | 103  |
| 5GB608D1290M | 2   | 70   | 5GBUI1845    | 15  | 119  | 5GBVI4102 | 5   | 21   |
| 5GB62412902  | 3   | 73   | 5GBUI1847    | 16  | 119  | 5GBVI4102 | 14  | 95   |
| 5GB64366003  | 8   | 57   | 5GBUI1851    | 14  | 119  | 5GBVI4102 | 14  | 99   |
| 5GB64366003  | 7   | 61   | 5GBUI1852    | 18  | 119  | 5GBVI4501 | 10  | 29   |
| 5GB64366003  | 9   | 67   | 5GBUI1857    | 6   | 119  | 5GBVI4501 | 10  | 33   |
| 5GB64366003  | 10  | 69   | 5GBUI1859    | 5   | 119  | 5GBVI4501 | 10  | 37   |
| 5GB64370001  | 8   | 67   | 5GBUI1860    | 10  | 119  | 5GBVI4601 | 17  | 101  |
| 5GB64370001  | 9   | 69   | 5GBUI1861    | 4   | 119  | 5GBVI4601 | 17  | 105  |
| 5GB66081207  | 5   | 73   | 5GBUI1863    | 17  | 119  | 5GBVI4601 | 17  | 97   |
| 5GB6916D21A  | 15  | 73   | 5GBVI1314    | 1   | 73   | 5GBVI4701 | 6   | 21   |
| 5GB70012400  | 6   | 55   | 5GBVI2105    | 8   | 111  | 5GBVI4701 | 5   | 87   |
| 5GB70100301  | 7   | 55   | 5GBVI2105    | 5   | 52   | 5GBVI4703 | 6   | 17   |
| 5GB70100302  | 8   | 55   | 5GBVI2433    | 9   | 111  | 5GBVI4824 | 7   | 21   |
| 5GB70100303  | 9   | 55   | 5GBVI2433    | 3   | 21   | 5GBVI4824 | 6   | 87   |
| 5GB72090004  | 9   | 75   | 5GBVI2433    | 6   | 25   | 5GBVI4828 | 7   | 17   |
| 5GB72090005  | 11  | 75   | 5GBVI2433    | 18  | 45   | 5GBVI4828 | 7   | 83   |
| 5GB72090006  | 8   | 75   | 5GBVI2433    | 3   | 49   | 5GBVI4832 | 8   | 17   |
| 5GB72090007  | 6   | 75   | 5GBVI2433    | 3   | 87   | 5GBVI4832 | 8   | 83   |
| 5GB72090008  | 7   | 75   | 5GBVI2433    | 12  | 89   | 5GBVI4902 | 8   | 21   |
| 5GB72090009  | 16  | 75   | 5GBVI2703    | 1   | 17   | 5GBVI4902 | 21  | 45   |
| 5GB72090010  | 17  | 75   | 5GBVI2703    | 2   | 83   | 5GBVI4902 | 7   | 87   |
| 5GB72090011  | 23  | 75   | 5GBVI2708    | 10  | 111  | 5GBVI4912 | 11  | 29   |
| 5GB72090102  | 20  | 75   | 5GBVI2708    | 5   | 42   | 5GBVI4912 | 11  | 33   |
| 5GB72090800  | 10  | 75   | 5GBV12710    | 2   | 17   | 5GBVI4912 | 11  | 37   |
| 5GB72092800  | 24  | 75   | 5GBVI2710    | 3   | 83   | 5GBVJ009  | 9   | 51   |
| 5GB720D30204 | 5   | 75   | 5GBVI2712    | 15  | 13   | 5GBVJ320  | 11  | 111  |
| 5GB720D30205 | 4   | 75   | 5GBVI2805    | 17  | 113  | 5GBVJ320  | 18  | 13   |
| 5GB72102600  | 1   | 75   | 5GBVI2812    | 18  | 113  | 5GBVJ320  | 9   | 17   |
| 5GB72102802  | 3   | 75   | 5GBVI2824    | 10  | 67   | 5GBVJ320  | 6   | 42   |
| 5GB72102902  | 2   | 75   | 5GBVI2824    | 11  | 69   | 5GBVJ320  | 9   | 83   |
| 5GB933D1240P | 10  | 63   | 5GBVI2825    | 6   | 73   | 5GBVJ321  | 21  | 113  |
| 5GB933D825NA | 21  | 75   | 5GBVI2826    | 10  | 59   | 5GBVJ322  | 19  | 13   |
| 5GB934D10PA  | 11  | 67   | 5GBVI2826    | 7   | 63   | 5GBVJ322  | 10  | 17   |
| 5GB934D10PA  | 12  | 69   | 5GBVI2826    | 22  | 75   | 5GBVJ322  | 10  | 83   |
| 5GB934D12M   | 11  | 57   | 5GBVI2827    | 1   | 63   | 5GBVJ327  | 11  | 27   |
| 5GB934D12M   | 11  | 61   | 5GBVI2829    | 12  | 59   | 5GBVJ327  | 12  | 29   |
| 5GB934D12M   | 3   | 65   | 5GBVI2830    | 2   | 67   | 5GBVJ327  | 11  | 31   |
| 5GB934D12M   | 6   | 67   | 5GBVI2830    | 2   | 69   | 5GBVJ327  | 12  | 33   |
| 5GB934D12M   | 7   | 69   | 5GBVI2904    | 19  | 113  | 5GBVJ327  | 11  | 35   |
| 5GB934D12N   | 3   | 70   | 5GBVI2905    | 16  | 13   | 5GBVJ327  | 12  | 37   |
| 5GB934D16PA  | 9   | 57   | 5GBVI2905    | 3   | 17   | 5GBVJ327  | 3   | 38   |
| 5GB934D16PA  | 22  | 61   | 5GBVI2905    | 4   | 83   | 5GBVJ327  | 13  | 41   |
| 5GB934D16PA  | 26  | 75   | 5GBVI2916    | 17  | 13   | 5GBVJ327  | 7   | 49   |
| 5GB934D20N   | 6   | 59   | 5GBVI3132    | 25  | 75   | 5GBVJ327  | 3   | 78   |
| 5GB934D20N   | 4   | 63   | 5GBVI3306    | 4   | 49   | 5GBVJ329  | 18  | 101  |
| 5GB934D20PA  | 11  | 59   | 5GBVI3339    | 10  | 55   | 5GBVJ329  | 15  | 103  |
| 5GB934D20PA  | 8   | 63   | 5GBVI3401    | 4   | 17   | 5GBVJ329  | 18  | 105  |
| 5GB934D24P   | 2   | 59   | 5GBVI3401    | 5   | 83   | 5GBVJ329  | 3   | 106  |
| 5GB934D24PL  | 18  | 59   | 5GBVI3413    | 15  | 101  | 5GBVJ329  | 4   | 117  |
| 5GB936D16P   | 3   | 67   | 5GBVI3413    | 12  | 103  | 5GBVJ329  | 22  | 45   |
| 5GB936D16P   | 3   | 69   | 5GBVI3413    | 15  | 105  | 5GBVJ329  | 10  | 93   |
| 5GB936D24P   | 19  | 61   | 5GBVI3413    | 2   | 106  | 5GBVJ329  | 15  | 95   |
| 5GB936D24PL  | 19  | 63   | 5GBVI3413    | 9   | 93   | 5GBVJ329  | 18  | 97   |
| 5GB937D1615P | 13  | 75   | 5GBVI3413    | 12  | 95   | 5GBVJ329  | 15  | 99   |
| 5GB94D425A   | 14  | 75   | 5GBVI3413    | 15  | 97   | 5GBVJ331  | 19  | 101  |
| 5GB980DV12M  | 7   | 67   | 5GBVI3413    | 12  | 99   | 5GBVJ331  | 16  | 103  |

## Numerical Index - Continued

| <i>Part No.</i> | <i>Key</i> | <i>Page</i> | <i>Part No.</i> | <i>Key</i> | <i>Page</i> | <i>Part No.</i> | <i>Key</i> | <i>Page</i> |
|-----------------|------------|-------------|-----------------|------------|-------------|-----------------|------------|-------------|
| 5GBVJ331        | 19         | 105         | 5GBVM201        | 8          | 42          |                 |            |             |
| 5GBVJ331        | 12         | 111         | 5GBVM201        | 25         | 45          |                 |            |             |
| 5GBVJ331        | 11         | 17          | 5GBVM201        | 12         | 51          |                 |            |             |
| 5GBVJ331        | 9          | 21          | 5GBVM201        | 12         | 87          |                 |            |             |
| 5GBVJ331        | 12         | 27          | 5GBVM201        | 15         | 89          |                 |            |             |
| 5GBVJ331        | 13         | 29          | 5GBVM201        | 13         | 93          |                 |            |             |
| 5GBVJ331        | 12         | 31          | 5GBVM201        | 21         | 97          |                 |            |             |
| 5GBVJ331        | 13         | 33          | 5GBVM203        | 23         | 13          |                 |            |             |
| 5GBVJ331        | 12         | 35          | 5GBVM203        | 9          | 42          |                 |            |             |
| 5GBVJ331        | 13         | 37          | 5GBVM203        | 13         | 49          |                 |            |             |
| 5GBVJ331        | 14         | 41          | 5GBVM205        | 16         | 21          |                 |            |             |
| 5GBVJ331        | 23         | 45          | 5GBVM205        | 13         | 87          |                 |            |             |
| 5GBVJ331        | 11         | 55          | 5GBVM211        | 6          | 114         |                 |            |             |
| 5GBVJ331        | 11         | 83          | 5GBVM214        | 19         | 75          |                 |            |             |
| 5GBVJ331        | 8          | 87          | 5GBVM303        | 26         | 45          |                 |            |             |
| 5GBVJ331        | 16         | 95          | 5GBVM410        | 24         | 13          |                 |            |             |
| 5GBVJ331        | 19         | 97          | 5GBVN33210      | 14         | 49          |                 |            |             |
| 5GBVJ331        | 16         | 99          | 5GBVN33210      | 13         | 51          |                 |            |             |
| 5GBVJ333        | 8          | 49          |                 |            |             |                 |            |             |
| 5GBVJ334        | 9          | 49          |                 |            |             |                 |            |             |
| 5GBVJ335        | 22         | 113         |                 |            |             |                 |            |             |
| 5GBVJ335        | 20         | 13          |                 |            |             |                 |            |             |
| 5GBVJ335        | 12         | 17          |                 |            |             |                 |            |             |
| 5GBVJ335        | 10         | 21          |                 |            |             |                 |            |             |
| 5GBVJ335        | 24         | 45          |                 |            |             |                 |            |             |
| 5GBVJ335        | 10         | 49          |                 |            |             |                 |            |             |
| 5GBVJ335        | 10         | 51          |                 |            |             |                 |            |             |
| 5GBVJ335        | 12         | 83          |                 |            |             |                 |            |             |
| 5GBVJ335        | 13         | 89          |                 |            |             |                 |            |             |
| 5GBVJ335        | 11         | 93          |                 |            |             |                 |            |             |
| 5GBVJ339        | 13         | 17          |                 |            |             |                 |            |             |
| 5GBVJ339        | 13         | 83          |                 |            |             |                 |            |             |
| 5GBVJ406        | 14         | 29          |                 |            |             |                 |            |             |
| 5GBVJ406        | 14         | 33          |                 |            |             |                 |            |             |
| 5GBVJ406        | 14         | 37          |                 |            |             |                 |            |             |
| 5GBVJ407        | 20         | 101         |                 |            |             |                 |            |             |
| 5GBVJ407        | 20         | 105         |                 |            |             |                 |            |             |
| 5GBVJ407        | 20         | 97          |                 |            |             |                 |            |             |
| 5GBVJ626        | 14         | 17          |                 |            |             |                 |            |             |
| 5GBVJ626        | 11         | 21          |                 |            |             |                 |            |             |
| 5GBVJ626        | 9          | 87          |                 |            |             |                 |            |             |
| 5GBVJ638        | 12         | 55          |                 |            |             |                 |            |             |
| 5GBVK203        | 11         | 51          |                 |            |             |                 |            |             |
| 5GBVK502        | 12         | 21          |                 |            |             |                 |            |             |
| 5GBVK502        | 10         | 87          |                 |            |             |                 |            |             |
| 5GBVK503        | 23         | 113         |                 |            |             |                 |            |             |
| 5GBVK504        | 17         | 103         |                 |            |             |                 |            |             |
| 5GBVK504        | 13         | 21          |                 |            |             |                 |            |             |
| 5GBVK504        | 17         | 95          |                 |            |             |                 |            |             |
| 5GBVK504        | 17         | 99          |                 |            |             |                 |            |             |
| 5GBVK508        | 24         | 113         |                 |            |             |                 |            |             |
| 5GBVK510        | 14         | 21          |                 |            |             |                 |            |             |
| 5GBVK510        | 13         | 55          |                 |            |             |                 |            |             |
| 5GBVK510        | 6          | 77          |                 |            |             |                 |            |             |
| 5GBVK510        | 11         | 87          |                 |            |             |                 |            |             |
| 5GBVK512        | 11         | 49          |                 |            |             |                 |            |             |
| 5GBVL001        | 13         | 111         |                 |            |             |                 |            |             |
| 5GBVL001        | 5          | 117         |                 |            |             |                 |            |             |
| 5GBVL002        | 15         | 17          |                 |            |             |                 |            |             |
| 5GBVL002        | 4          | 78          |                 |            |             |                 |            |             |
| 5GBVL002        | 14         | 83          |                 |            |             |                 |            |             |
| 5GBVL101        | 16         | 17          |                 |            |             |                 |            |             |
| 5GBVL101        | 7          | 42          |                 |            |             |                 |            |             |
| 5GBVL101        | 15         | 83          |                 |            |             |                 |            |             |
| 5GBVL101        | 12         | 93          |                 |            |             |                 |            |             |
| 5GBVL103        | 21         | 13          |                 |            |             |                 |            |             |
| 5GBVL103        | 12         | 49          |                 |            |             |                 |            |             |
| 5GBVL107        | 25         | 113         |                 |            |             |                 |            |             |
| 5GBVL213        | 26         | 113         |                 |            |             |                 |            |             |
| 5GBVL214        | 17         | 17          |                 |            |             |                 |            |             |
| 5GBVL214        | 16         | 83          |                 |            |             |                 |            |             |
| 5GBVL222        | 5          | 24          |                 |            |             |                 |            |             |
| 5GBVL225        | 14         | 89          |                 |            |             |                 |            |             |
| 5GBVL414        | 18         | 17          |                 |            |             |                 |            |             |
| 5GBVL414        | 17         | 83          |                 |            |             |                 |            |             |
| 5GBVL415        | 19         | 17          |                 |            |             |                 |            |             |
| 5GBVL415        | 18         | 83          |                 |            |             |                 |            |             |
| 5GBVM201        | 21         | 101         |                 |            |             |                 |            |             |
| 5GBVM201        | 21         | 105         |                 |            |             |                 |            |             |
| 5GBVM201        | 14         | 111         |                 |            |             |                 |            |             |
| 5GBVM201        | 22         | 13          |                 |            |             |                 |            |             |
| 5GBVM201        | 15         | 21          |                 |            |             |                 |            |             |
| 5GBVM201        | 6          | 24          |                 |            |             |                 |            |             |

PROOF