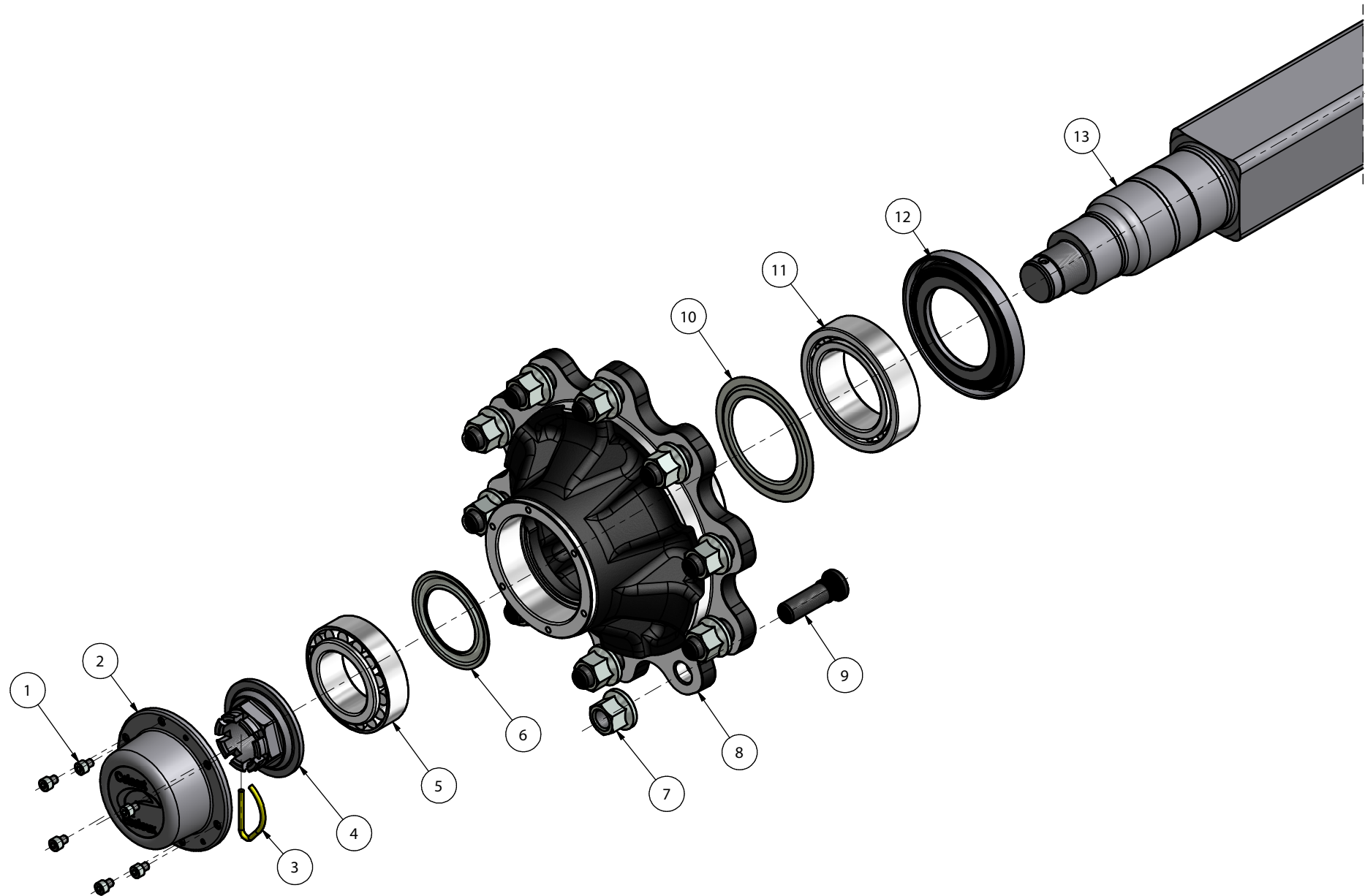


Laufachse VK 100 MM Spur 2200 MM kpl.



Parts List				
KIT	ITEM	QTY	PART NUMBER	DESCRIPTION
*	1	12	96308A0101	SCREW CHc M08X1,25 L010 ISO4762
*	2	2	56112505	CAP 125 BOLT ON COLAERT
*	3	2	58209	SPRING PIN FOR NUT M48
*	4	2	57548B6	CROWN NUT M48X1,50 WR65 H44
*	5	2	59133114	BEARING 33114 070 120 37
*	6	2	5531092	NILOS GREASE SEAL RLT.AV.33114
*	7	20	57322B2	STUD NUT M22x1,50
	8	2	61L1UA003	HUB H10 22 120-140 280-335
*	9	20	57122B2	STUD M22X1.50 L077
*	10	2	5511402	NILOS GREASE SEAL RLT.AR.33018
*	11	2	59133018	BEARING 33018 090 140 39
	12	2	5471402	INDUSTRIAL GREASE SEAL 092/140 OVERTURNED WITH DUST COVER
	13	1	68UAA00029	AXLES BODY C100 TRACK 2200

* PIECES VENDUES EN KIT BLISTER
ITEMS SOLD BY BLISTER KIT

BLISTER KIT			
CODE	NAME	ITEM	Qty.
9RC22-10	KIT WHEEL STUDS	9	10
9RD22BEC-10	KIT WHEEL NUTS	7	10
9RNUA	KIT OIL SEAL	6	1
		10	1
9RCUA	KIT BEARING	5	1
		11	1
9RT125ACC	KIT CAP/SCREW	1	12
		2	2
9RDF4865	KIT CROWN NUT	3	2
		4	2

9018.76.01