

CATALOGUE PIECES DE RECHANGE SPARE PARTS CATALOG

FR
EN

--	--	--	--	--	--	--	--

Machine number

0	4	/	2	0	1	9
---	---	---	---	---	---	---

Version

Sturmvogel 4501 L-LS

Series 1



Important pour la commande de pièces de rechange

Lors de chaque commande de pièces, veuillez nous communiquer les données suivantes:

1. Type de la machine (gravé sur la plaque d'identification).
2. Numéro de série de la machine (gravé sur la Plaque d'identification et le bâti).
3. Numéro de pièce.
4. La quantité nécessaire de pièces de rechange.

Important for ordering spare parts

Please give the following information whenever you order spare parts:

1. Type of the machine (stamped on type plate)
2. Serial number (stamped on type plate and frame)
3. Part number.
4. The required quantity of the spare parts.

Plaquette / Identification plate



 **RABE**  

● Agrartechnik Vertriebsgesellschaft mbH | D 49152 Bad Essen ●

Type : _____

Nr. _____

Sommaire

Sturmvogel 4501 L Br.1 complet.....	9
Plaque de guidage montée	11
Limite d'oscillation montée	12
Masse latérale 4,50m	13
Sturmvogel 4501 LS Br.1 complet	14
Support de parking soudé	16
Cadre pré-assemblé 4501 L(S) Série 1	17
Hydraulique Série 1 complète	18
Broches d'attelage Cat. 3.....	19
Kit de support pour quick coupler	20
Porte-outils L complet monté	21
Porte-outils LS complet monté	22
Dent-élément de herse VEG-18 complet	23
Dent VEG-18 complet	24
Dent-élément de herse complet.....	25
Dent debout raide 32x10 complet.....	26
Jeu de dents renforcés, élément de herse complet.....	27
Dents VEG-16 complet	28
Element dents droites renforcées complet.....	29
Dent 32x12 avec soc complet.....	30
Rouleau denté pointu Tandem TillXtrem	31
Kit rouleau denté pointu D270 TillXtrem	32
Kit rouleau denté pointu D330 TillXtrem	33
Rouleau denté pointu Re-Lube	34
Kit Rouleau denté pointu D270 Re-Lube	35
Kit Rouleau denté pointu D330 Re-Lube	36
Set de couverture 6-kt. 270/190	37
Set de couverture en acier 6-kt. 330/250	38
Rouleau Crosskill 1.5m complet monté	39
Rouleau Crosskill 1.5m 10 roues monté	40
Rouleau Crosskill plat 1.5m complet monté.....	41
Rouleau Crosskill plat 1.5m 10 roues monté	42
Support de stationnement arrière complet.....	43
Herse L 2 chaîne monté.....	44
Herse LS 2 chaîne monté	45
Herse pré-monté	46
Frontiér herse D7	47
Station de stationnement montée	48
Élargi à gauche	49
Élargi à droite	50
Efface traces titulaire monté.....	51

Support pour efface-traces monté.....	52
Fixation monté	53
Efface-trace titulaire 0.65m complet.....	54
Approach cadré 4501 série 1	55
Effaceur de trace 80 tuyaux complet.....	56
Effaceur de trace á ressort 80 tuyaux complet.....	57
Efface traces GG-5 cpl.	58
Efface traces GS-035 cpl.	59
Efface traces GG-011 cpl.	60
Efface traces á ressort GG-5 cpl.	61
Efface traces á ressort GS-035 cpl.	62
Efface traces á ressort GG-11 cpl.	63
Train denté 4501 L(S) cpl.....	64
Train denté section médiane cpl.	65
Train denté droit cpl.....	66
Train denté gauche cpl.....	67
Ensemble de ressort gauche série 1 cpl.	68
Ensemble de ressort gauche série 2 cpl.	70
Train denté hydraulique 4501 L(S) cpl.	72
Train denté hydraulique section médiane version 1 cpl.....	73
Train denté hydraulique droit cpl.	74
Train denté hydraulique gauche cpl.	75
Ensemble de ressort série 4 cpl.	76
Ensemble de ressort série 5 cpl.....	78
Hydraulique Train denté 4500	80
Éclairage.....	81

Table of contents

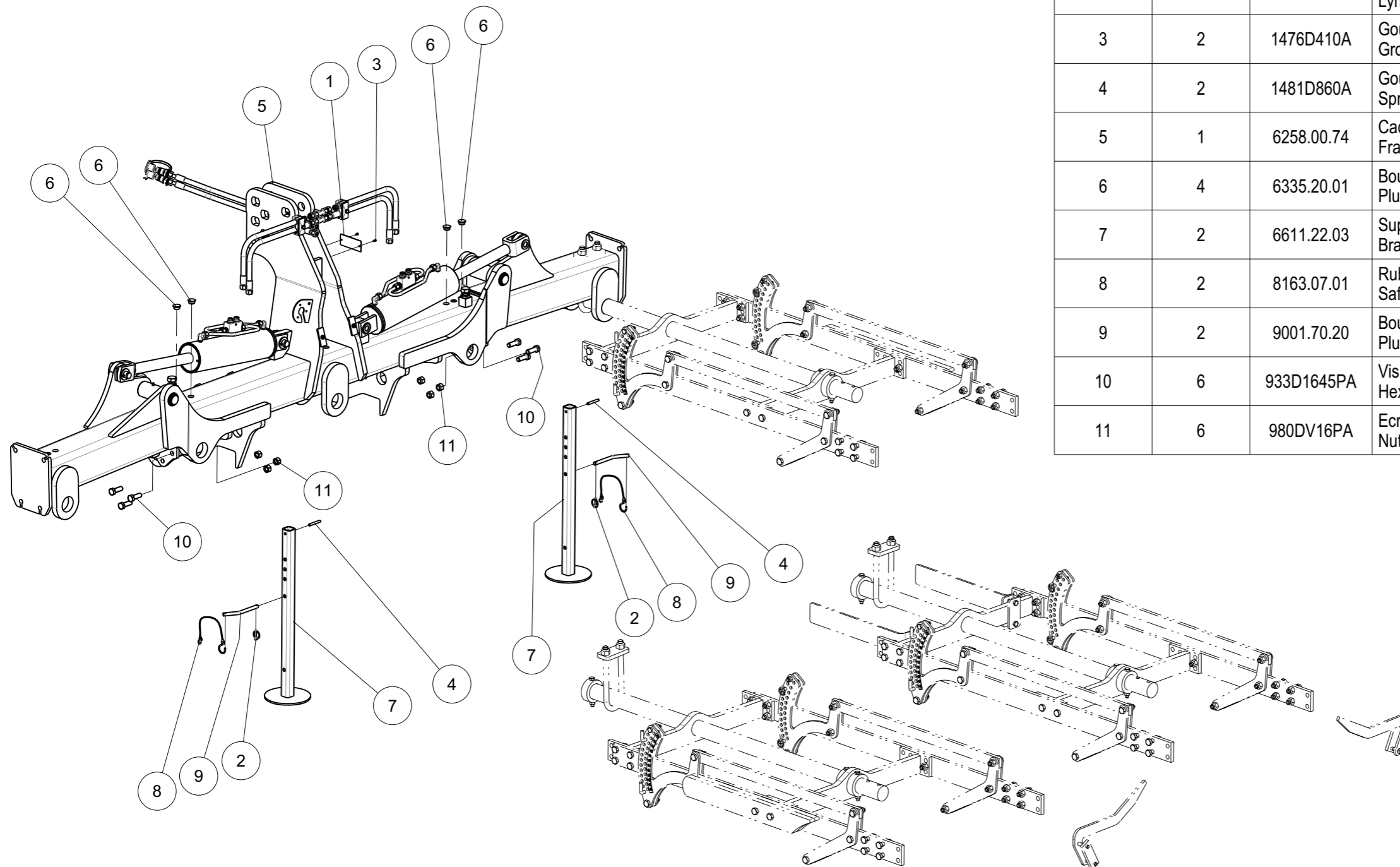
Sturmvogel 4501 L Series 1 complete	9
Guide plate mounted	11
Oscillation limitation mounted	12
Lateral Weight 4,50m	13
Sturmvogel 4501 LS Series 1 complete	14
Parking supports welded holder	16
Frame pre-assembled 4501 L(S) Series 1	17
Hydraulic Series 1 complete	18
3-Point headstock Cat.3 complete	19
Support kit for quick coupler	20
Tool carrier L complete	21
Tool carrier LS complete	22
Gare harrowing tine field VEG-18 complete	23
S-tine VEG-18 complete	24
Gare harrowing tine field complete	25
Tine steep standing 32x10 complete	26
Double spring tine, harrow section complete	27
Tines VEG-16 mounted	28
Element reinforced straight tines complete	29
Vibra tine 32x12 with share complete	30
Pointed toothed roller Tandem TillXtrem	31
Kit Pointed toothed roller D270 TillXtrem	32
Kit Pointed toothed roller D330 TillXtrem	33
Pointed toothed roller Re-Lube	34
Kit Pointed toothed roller D270 Re-Lube	35
Kit Pointed toothed roller D330 Re-Lube	36
Set Cover Steel 6-kt. 270/190	37
Set Cover Steel 6-kt. 330/250	38
Crosskill roller 1.5m complete	39
Crosskill roller 10 wheels mounted	40
Nockering roller 1.5m complete	41
Nockering roller 10 wheels mounted	42
Rear parking support complete	43
Harrow L 2-rows mounted	44
Harrow LS 2-rows mounted	45
Harrow pre-assembled	46
Tine harrow border D7 complete	47
Parking station mounted – harrow	48
Widened to the left mounted	49
Widened to the right mounted	50
Track eradicator holder mounted	51

Support holder mounted	52
Attachment mounted complete	53
Track eradicator holder 0,65m complete	54
Frame approach 4501 series 1	55
Track eradicator 80 pipe complete	56
Track eradicator spring-suspended 80 pipe complete	57
Track eradicator GG-5 complete	58
Track eradicator GS-035 complete	59
Track eradicator GG-011 complete	60
Track eradicator spring mounted GG-5 complete	61
Track eradicator spring mounted GS-035 complete	62
Track eradicator spring mounted GG-011 complete	63
Tine trailer 4501 L(S) complete	64
Tine trailer midsection complete	65
Tine trailer right complete	66
Tine trailer left complete	67
Spring assembly left series 1 complete	68
Spring assembly left series 2 complete	70
Tine trailer hydraulic 4501 L(S) complete	72
Tine trailer hydraulic midsection version 1 complete	73
Tine trailer hydraulic right complete	74
Tine trailer hydraulic left complete	75
Spring assemble series 4 complete	76
Spring assemble series 5 complete	78
Hydraulic tine trailer 4500	80
Lighting	81



4501 L Série 1 cpl.

4501 L Series 1 cpl.

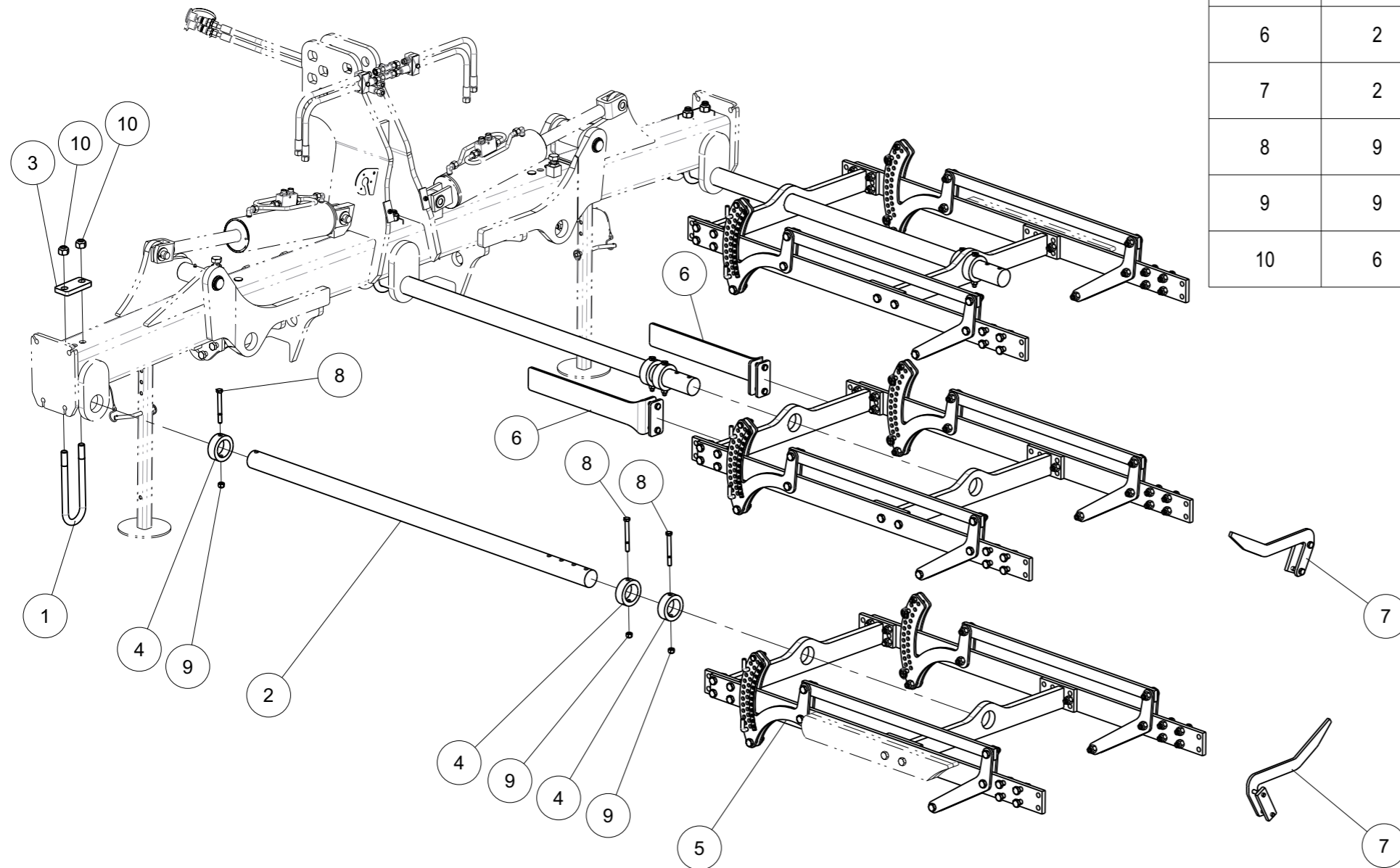


Index	Quantity	Reference	Designation
1	1	1000.99.04	Plaque CE Identification plate CE
2	2	11023D532A	Goupille "Clips" Dia 5 Z Lynch pin Dia5
3	2	1476D410A	Goupille cannelée 4x10 DIN 1476 Z Grooved pin 4x10 DIN 1476 Z
4	2	1481D860A	Goupille elastique 8 X 60 ISO8752 Z Spring Pin 8 X 60 ISO8752 Z
5	1	6258.00.74	Cadre pré-assemblé 4501 L(S) Série 1 Frame pre-assembled 4501 L(S) Series 1
6	4	6335.20.01	Bouchon (D22.4) Plug (D22.4)
7	2	6611.22.03	Support soudé Bracket welded
8	2	8163.07.01	Ruban de sécurité avec crochet Safety tape with hook
9	2	9001.70.20	Boulon D12 Plug bolt D12
10	6	933D1645PA	Vis H M16x45 ISO4017-8.8 ZNBL Hex. Screw M16x45 ISO4017-8.8 Zinc
11	6	980DV16PA	Ecrou M16 ZNBL 8.8 Nut M16 Zinc 8.8



4501 L Série 1 cpl.

4501 L Series 1 cpl.

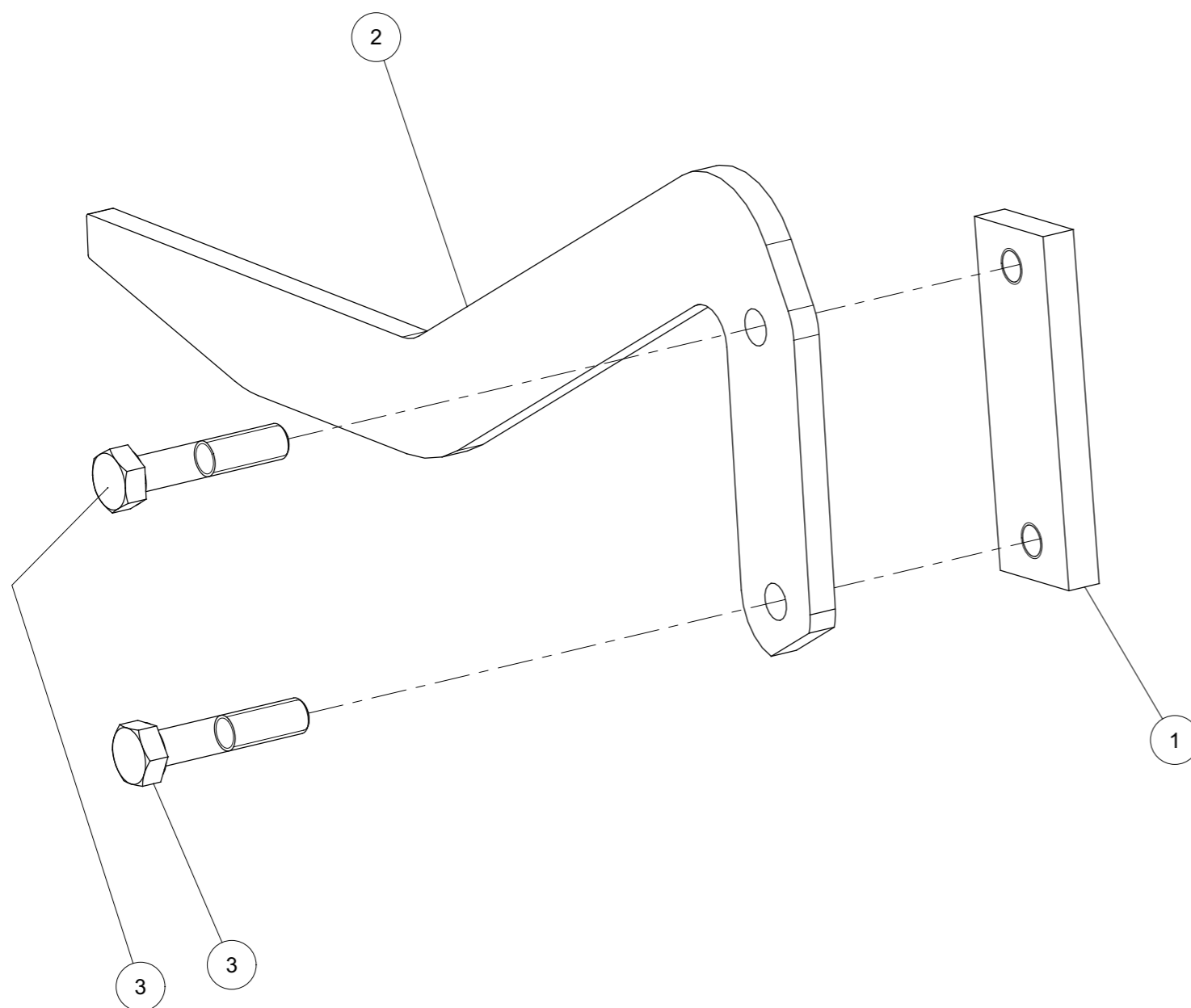


Index	Quantity	Reference	Designation
1	3	6253.12.05	Bride MC-20x82x225 verz. Cross section MC-20x82x225 verz.
2	3	6258.00.01	Axe ø60 court Axle ø60 short
3	3	6258.00.03	Plate de fixation D22-82 Fixing plate D22-82
4	9	6258.00.07	Rondelle large Limiter
5	3	6258.02.01	Porte-outils L cpl. Tool carrier L cpl.
6	2	6258.07.01	Limite d'oscillation montée Oscillation limitation mounted
7	2	6812.28.26	Plaque de guidage montée Guide plate mounted
8	9	931D12110NA	Vis H M12 x 110 ZNBL 10.9 Hex. Screw M12 x 110 Zinc 10.9
9	9	980DV12NA	Ecrou M12 ZNBL 10.9 Nut M12 Zinc 10.9
10	6	980DV20PA	Ecrou M20 ZNBL 8.8 Nut M20 Zinc 8.8



Plaque de guidage montée
Guide plate mounted

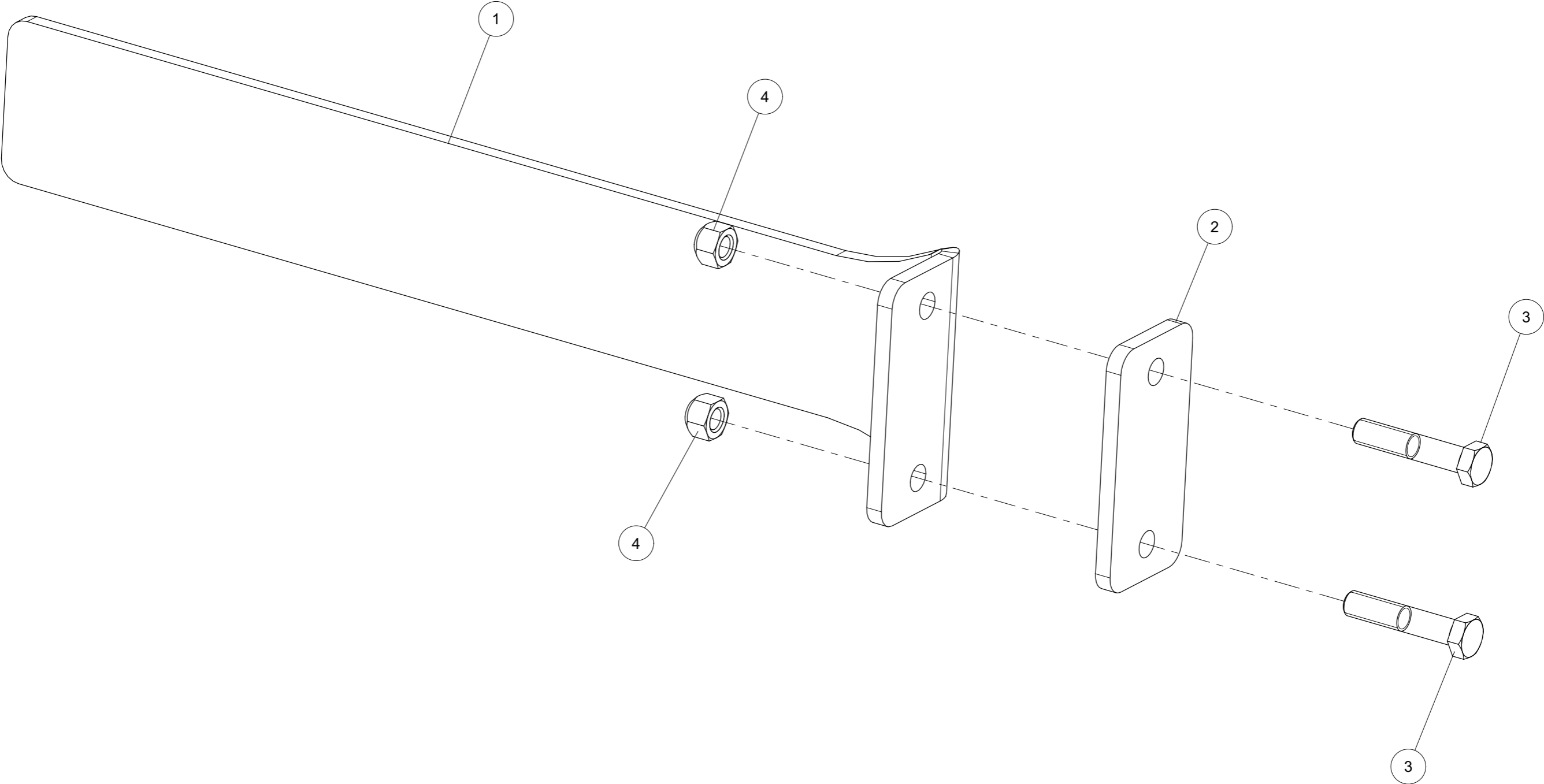
Index	Quantity	Reference	Designation
1	1	6241.94.02	Plat de fixation M 12-93 Latch M 12-93
2	1	6812.28.24	Plaque de guidage Guide plate
3	2	VI 29 13	Vis H M12x 60 - 8.8 ZNBL Screw H M12x 60 - 8.8 ZNBL





Limite d'oscillation montée
Oscillation limitation mounted

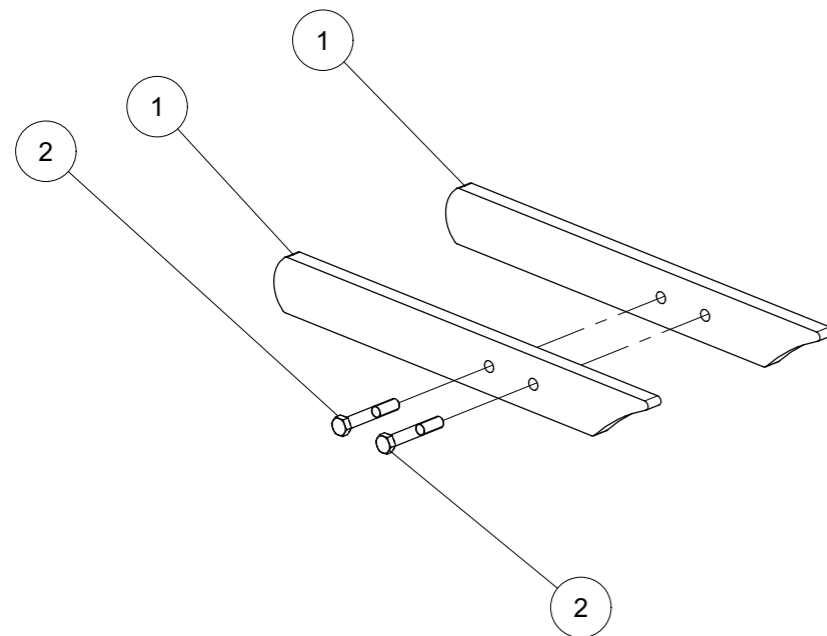
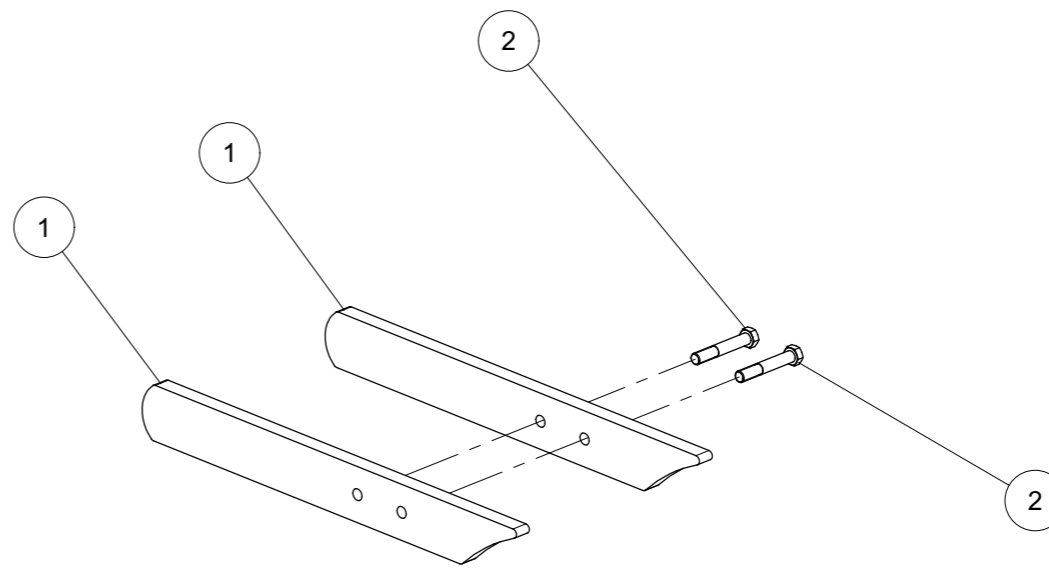
Index	Quantity	Reference	Designation
1	1	6258.07.02	Limite d'oscillation Oscillation limitation
2	1	6465.58.11	Patte de retenue D13 - 85 Retaining tab D13 - 85
3	2	931D1260PA	Vis H M12 x 60 ZNBL 8.8 Hex. Screw M12 x 60 Zinc 8.8
4	2	980DV12PA	Ecrou M12 ZNBL 8.8 Nut M12 Zinc 8.8





Masse latérale 4,50m
Lateral Weight 4,50m

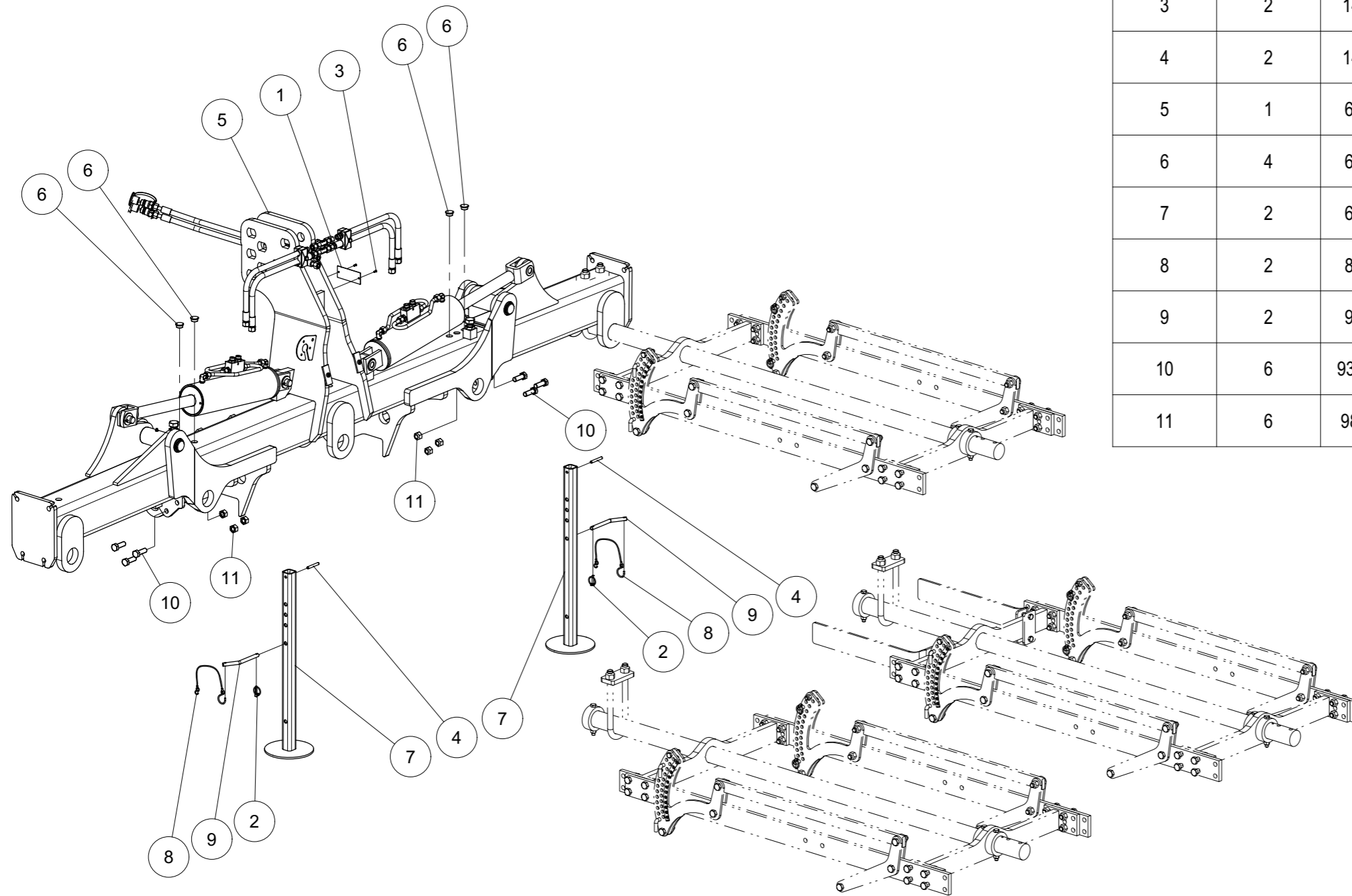
Index	Quantity	Reference	Designation
1	4	6258.02.12	Masse latérale Lateral weight
2	4	VI 31 15	Vis H M16x100 - 8.8 ZNBL Screw H M16x100 - 8.8 ZNBL





4501 LS Série 1 cpl.

4501 LS Series 1 cpl.

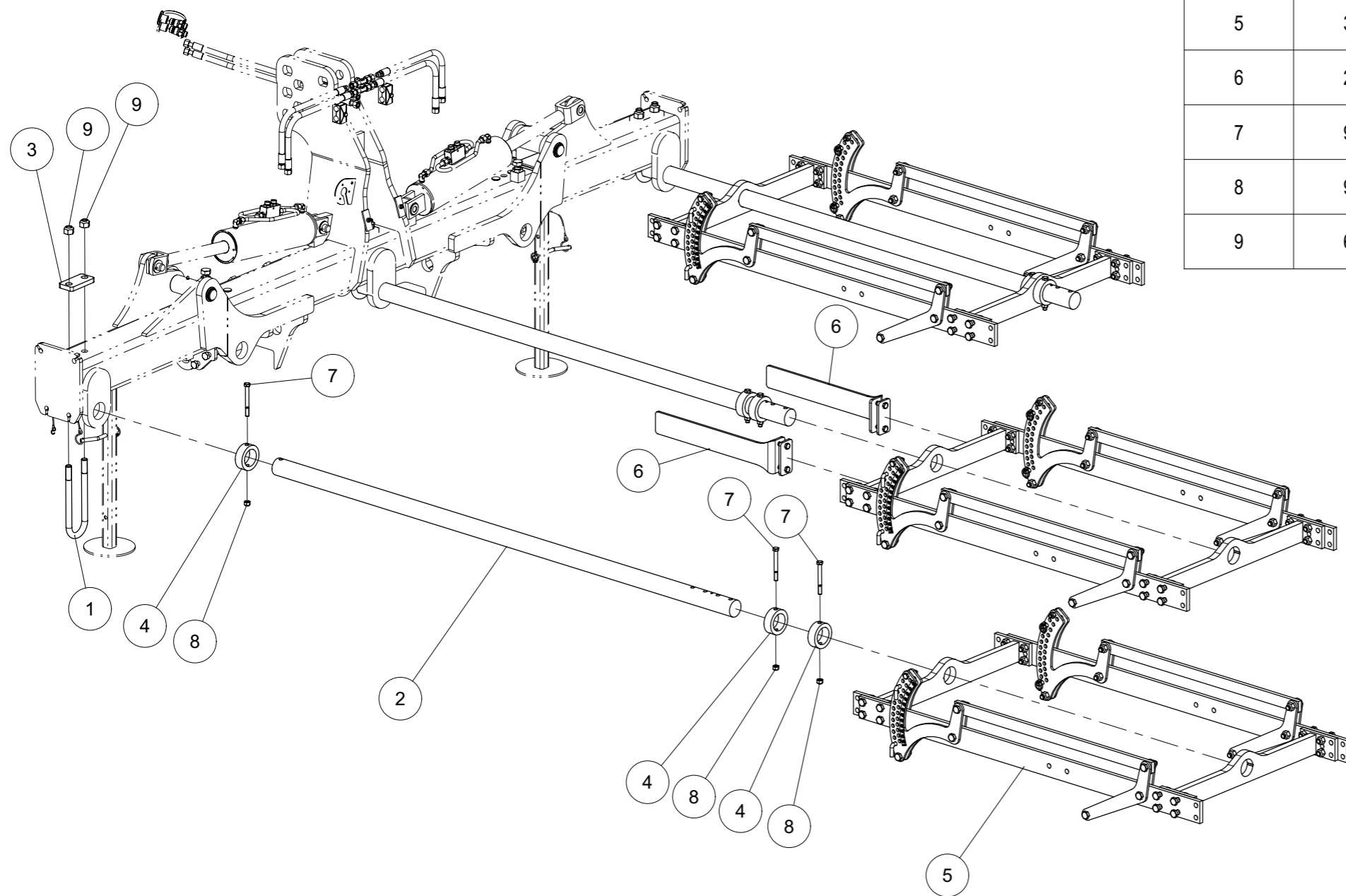


Index	Quantity	Reference	Designation
1	1	1000.99.04	Plaque CE Identification plate CE
2	2	11023D532A	Goupille "Clips" Dia 5 Z Lynch pin Dia5
3	2	1476D410A	Goupille cannelée 4x10 DIN 1476 Z Grooved pin 4x10 DIN 1476 Z
4	2	1481D860A	Goupille elastique 8 X 60 ISO8752 Z Spring Pin 8 X 60 ISO8752 Z
5	1	6258.00.74	Cadre pré-assemblé 4501 L(S) Série 1 Frame pre-assembled 4501 L(S) Series 1
6	4	6335.20.01	Bouchon (D22.4) Plug (D22.4)
7	2	6611.22.03	Support soudé Bracket welded
8	2	8163.07.01	Ruban de sécurité avec crochet Safety tape with hook
9	2	9001.70.20	Boulon D12 Plug bolt D12
10	6	933D1645PA	Vis H M16x45 ISO4017-8.8 ZNBL Hex. Screw M16x45 ISO4017-8.8 Zinc
11	6	980DV16PA	Ecrou M16 ZNBL 8.8 Nut M16 Zinc 8.8



4501 LS Série 1 cpl.

4501 LS Series 1 cpl.

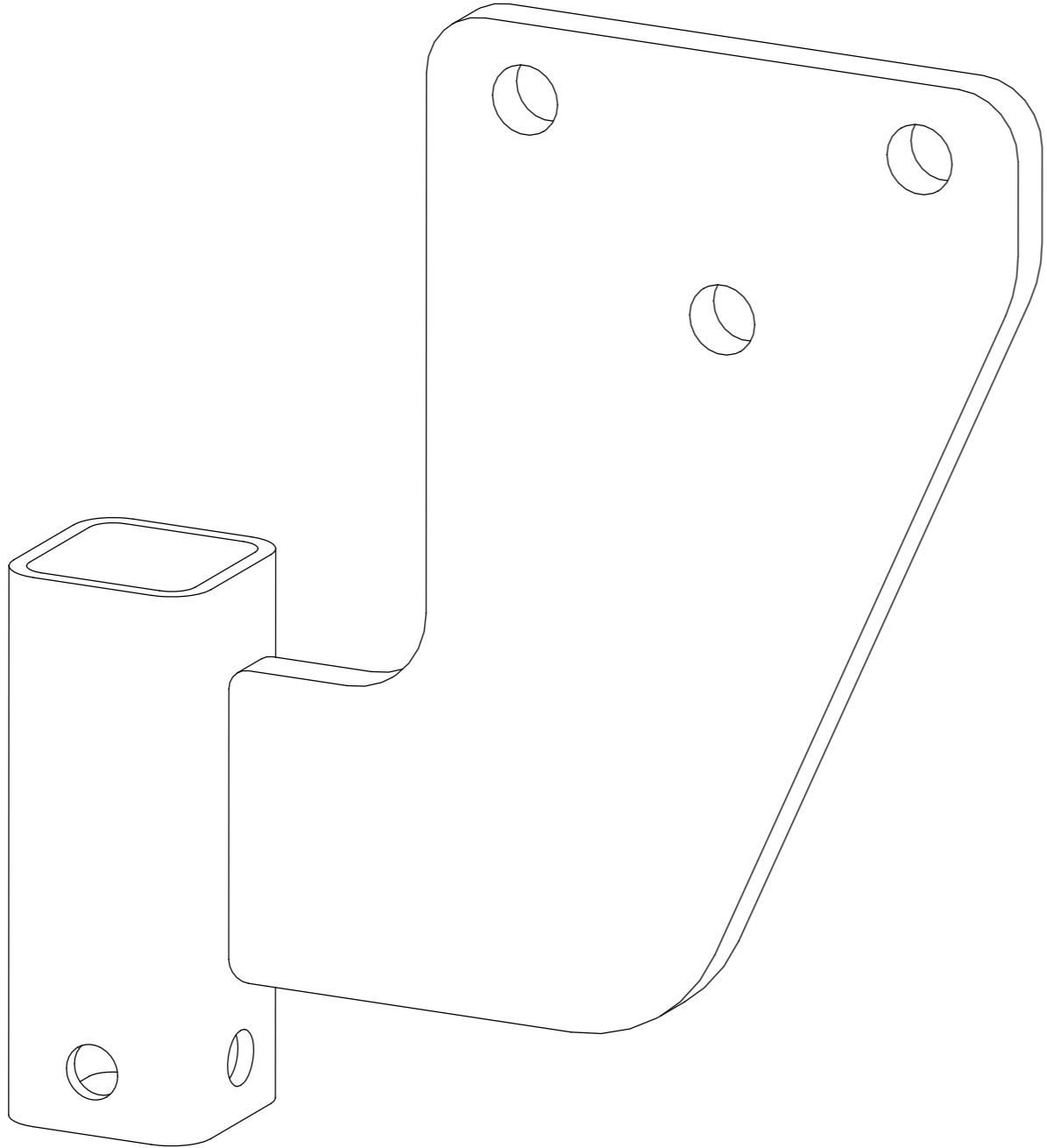


Index	Quantity	Reference	Designation
1	3	6253.12.05	Bride MC-20x82x225 verz. Cross section MC-20x82x225 verz.
2	3	6258.00.02	Axe Ø60 Axle Ø60
3	3	6258.00.03	Plate de fixation D22-82 Fixing plate D22-82
4	9	6258.00.07	Rondelle large Limiter
5	3	6258.02.50	Porte-outils cpl. Tool carrier LS cpl.
6	2	6258.07.01	Limite d'oscillation montée Oscillation limitation mounted
7	9	931D12110NA	Vis H M12 x 110 ZNBL 10.9 Hex. Screw M12 x 110 Zinc 10.9
8	9	980DV12NA	Ecrou M12 ZNBL 10.9 Nut M12 Zinc 10.9
9	6	980DV20PA	Ecrou M20 ZNBL 8.8 Nut M20 Zinc 8.8



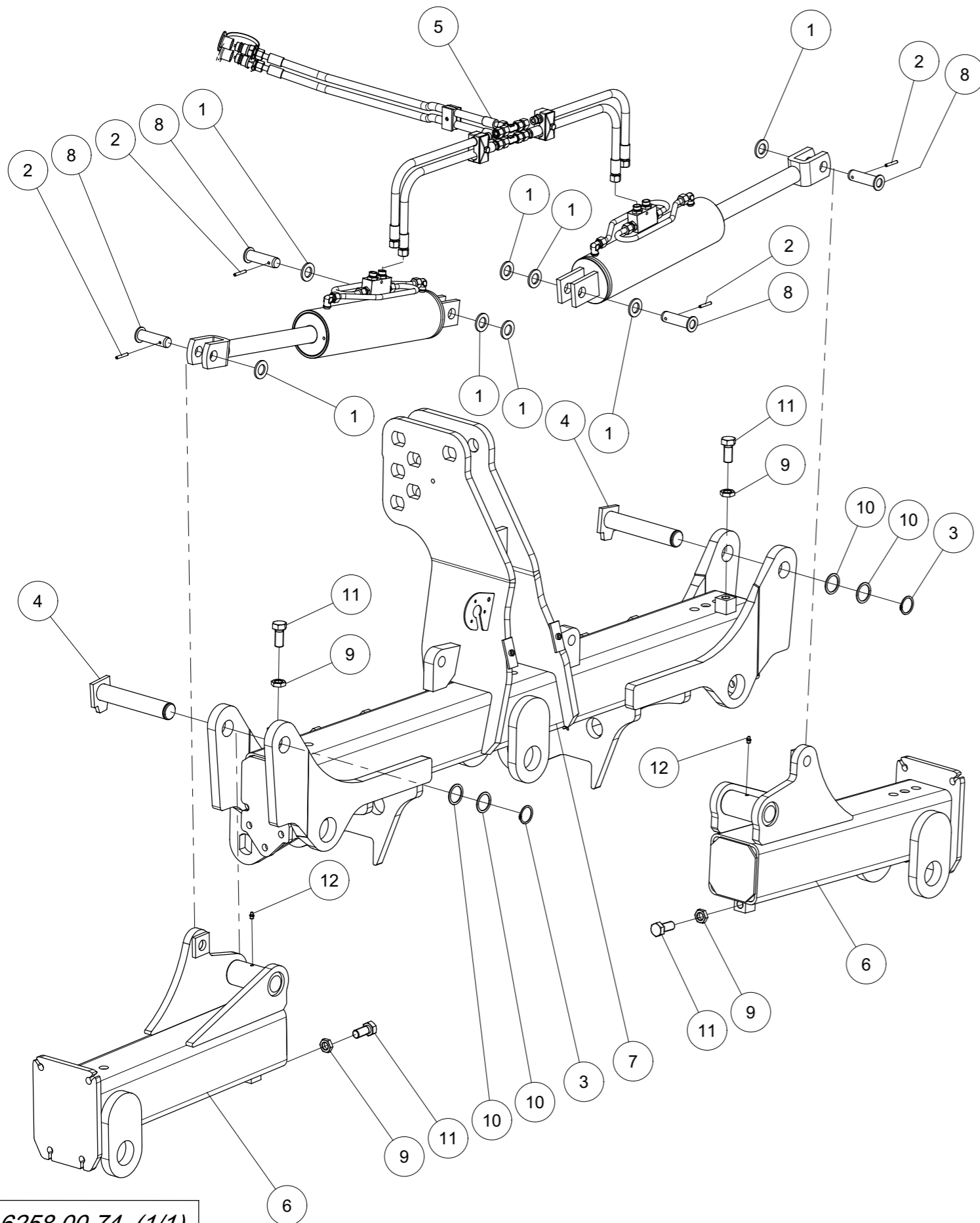
Support de parking soudé
Parking supports welded holder

<i>Index</i>	<i>Level</i>	<i>Quantity</i>	<i>Reference</i>	<i>Designation</i>
1	1	1	6258.06.01	Support de parking soudé Parking supports welded holder





Cadre pré-assemblé 4501 L(S) Série 1
Frame pre-assembled 4501 L(S) Series 1



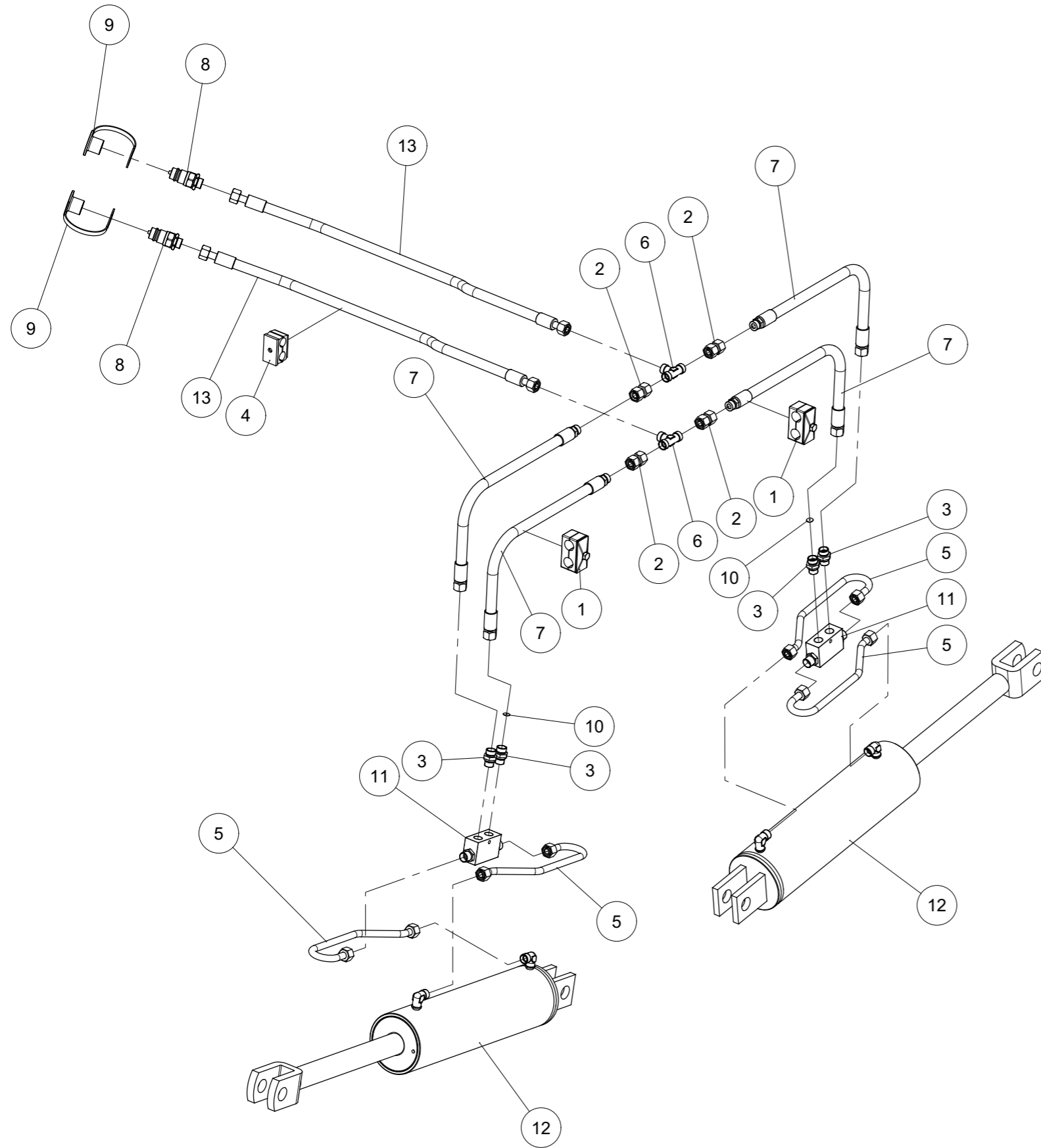
Index	Quantity	Reference	Designation
1	8	125DA25A	Rondelle A 25 ISO7089 Zinguée Washer A 25 ISO7089 Zinc.
2	4	1481D640A	Goupille elastique 6 X 40 ISO8752 Z Spring Pin 6 X 40 ISO8752 Z
3	2	471D401.75	Circlip 40x1,75 DIN471 Circlip 40x1,75 DIN471
4	2	6253.19.01	Axe Ø 40 Pin Ø 40
5	1	6253.51.02	Hydraulique Série 1 cpl. Hydraulic Series 1 cpl.
6	2	6258.01.35	Cadre latéral 4501 L(S) Side frame 4501 L(S)
7	1	6258.01.90	Cadre 3001 LE(S)-6001L(S) Frame 3001 LE(S)-6001L(S)
8	4	6806.27.03	Axe D25-71 Pin D25-71
9	4	936D20PA	Ecrou bas Hm M20 8.8, ZNBL Nut Hm M20 8.8, ZNBL
10	4	988D40502	Rondelle 40x 50x2 DIN988 Washer 40x 50x2 DIN988
11	4	VI 28 26	Vis H M20x 45 - 8.8 ZNBL Screw H M20x 45 - 8.8 ZNBL
12	2	VM 214	Graisseur droit autotaraudant - M8, pas100 Grease nipple self-tapping- M8, thread100

6258.00.74 (1/1)

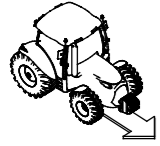


Hydraulique Série 1 cpl.

Hydraulic Series 1 cpl.



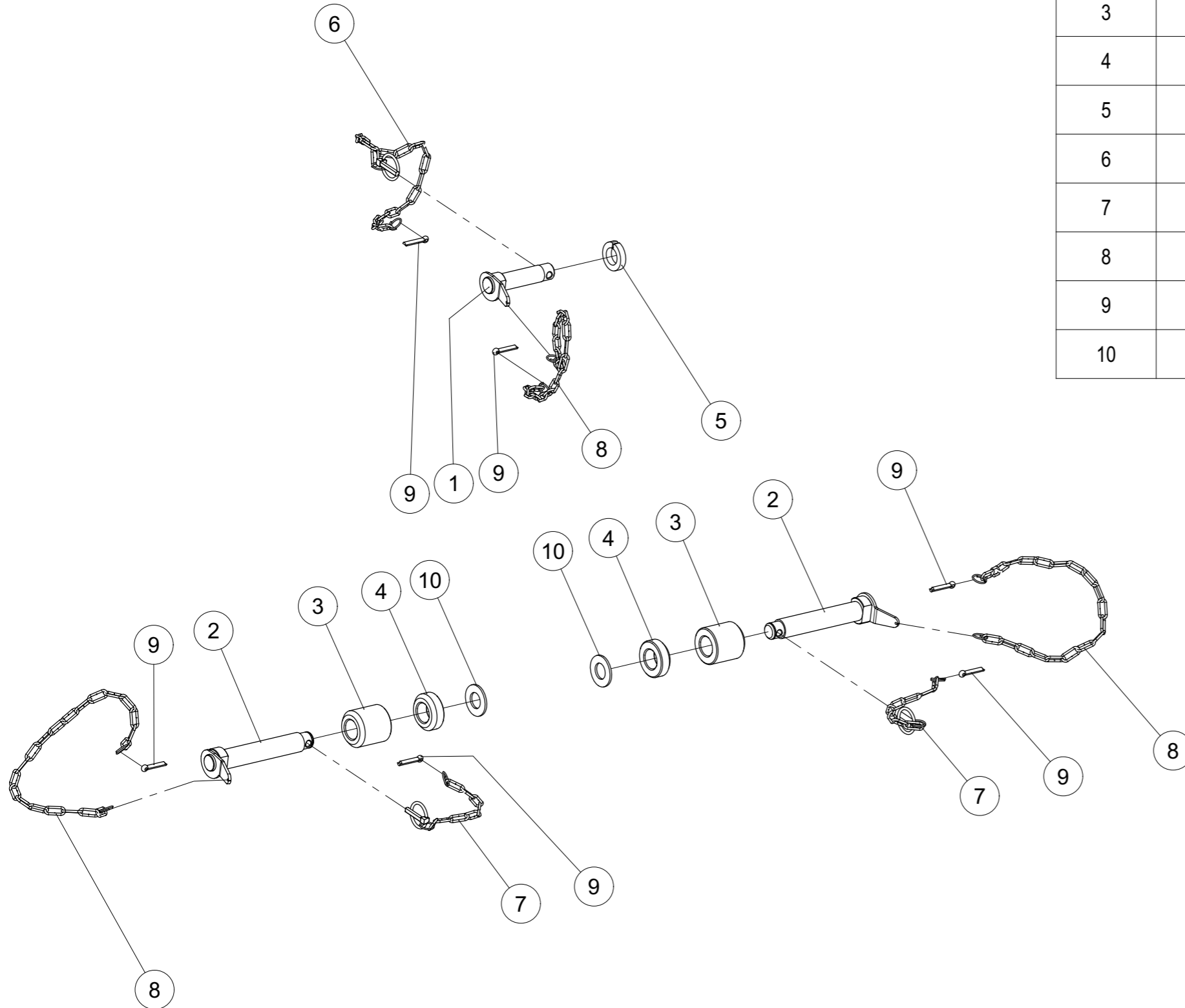
Index	Quantity	Reference	Designation
1	2	1 235 106	Collier double 2x20 complet Double hose fixation 2x20 cpl.
2	4	4716.53.05	Raccord double Double coupling
3	4	4723.02.03	Raccord 12L M18x1.5 Male stud coupling 12L M18x1.5
4	1	4753.57.01	Collier double cpl. Double clamp cpl.
5	4	6253.72.01	Tube hydraulique 371mm Hydraulic pipe 371mm
6	2	6436.07.02	T-Raccord L-12 M18x1,5 T-Coupling L-12 M18x1,5
7	4	6436.07.04	Flexible Hydr. DN10 2SN L. 700 Hydr. hose DN10 2SN L. 700
8	2	8132.01.00	Connecteur hydraulique HL3 AG M18x1,5 Hydraulic connector HL3 AG M18x1,5
9	2	8132.05.01	Cache rouge taille 3 Dust cap red size 3
10	2	8132.06.02	Etranglement rondelle \varnothing 1.5 Restrictive washer \varnothing 1.5
11	2	8154.24.02	Limiteur Valve
12	2	8169.06.01	Cylindre 100/40/300/575 cpl. Cylinder 100/40/300/575 cpl.
13	2	8413.88.01	Tuyau hydraulique 2SN DN10 L1500 Hydraulic hose 2SN DN10 L1500



Broches d'attelage Cat.3 cpl.

3-Point headstock Cat.3 cpl.

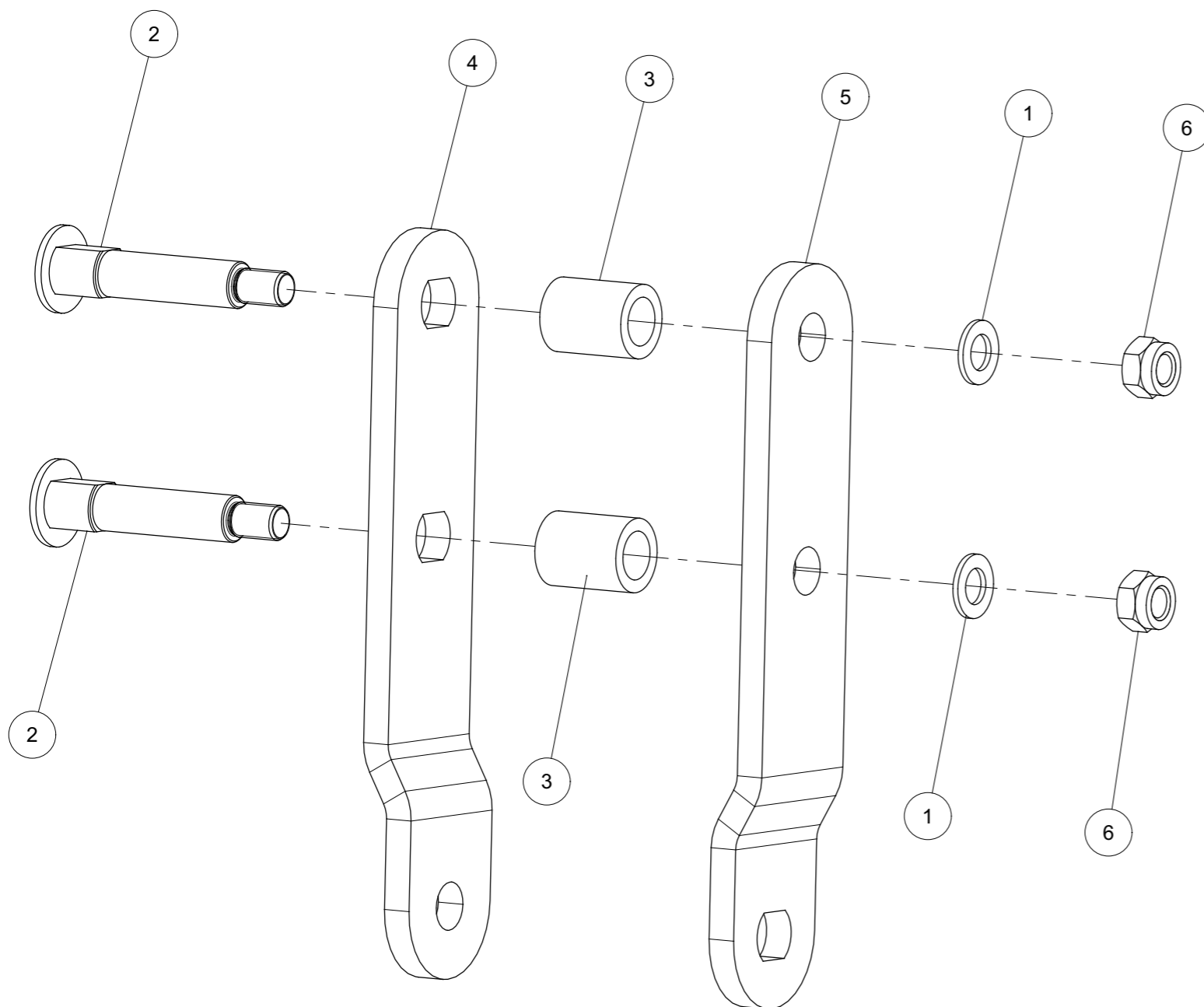
Index	Quantite	Reference	Designation
1	1	1100.00.01	Axe Cat.3 Pin Cat.3
2	2	1200.05.01	Axe Cat 3 Top link pin Cat 3
3	2	6258.13.15	Douille d'attelage Lg:70mm Hitch spacer length 70mm
4	2	6258.13.16	Douille d'attelage Lg:25mm Hitch spacer length 25mm
5	1	6258.13.20	Rondelle 55/33x12 Washer 55/33x12
6	1	6344.40.02	Chaine de securité Safety chain
7	2	6344.40.03	Chainette desecurité Safety chain
8	3	6344.40.19	Chainette desecurité Safety chain
9	6	94D840A	Goupille fendue 8x 40 ISO1234 Z Cotter pin 8x 40 ISO1234 Z
10	2	VK 513	Rondelle plate MU30 ZNBL Flat washer MU30 ZNBL





Kit de support pour quick coupler
Support kit for quick coupler

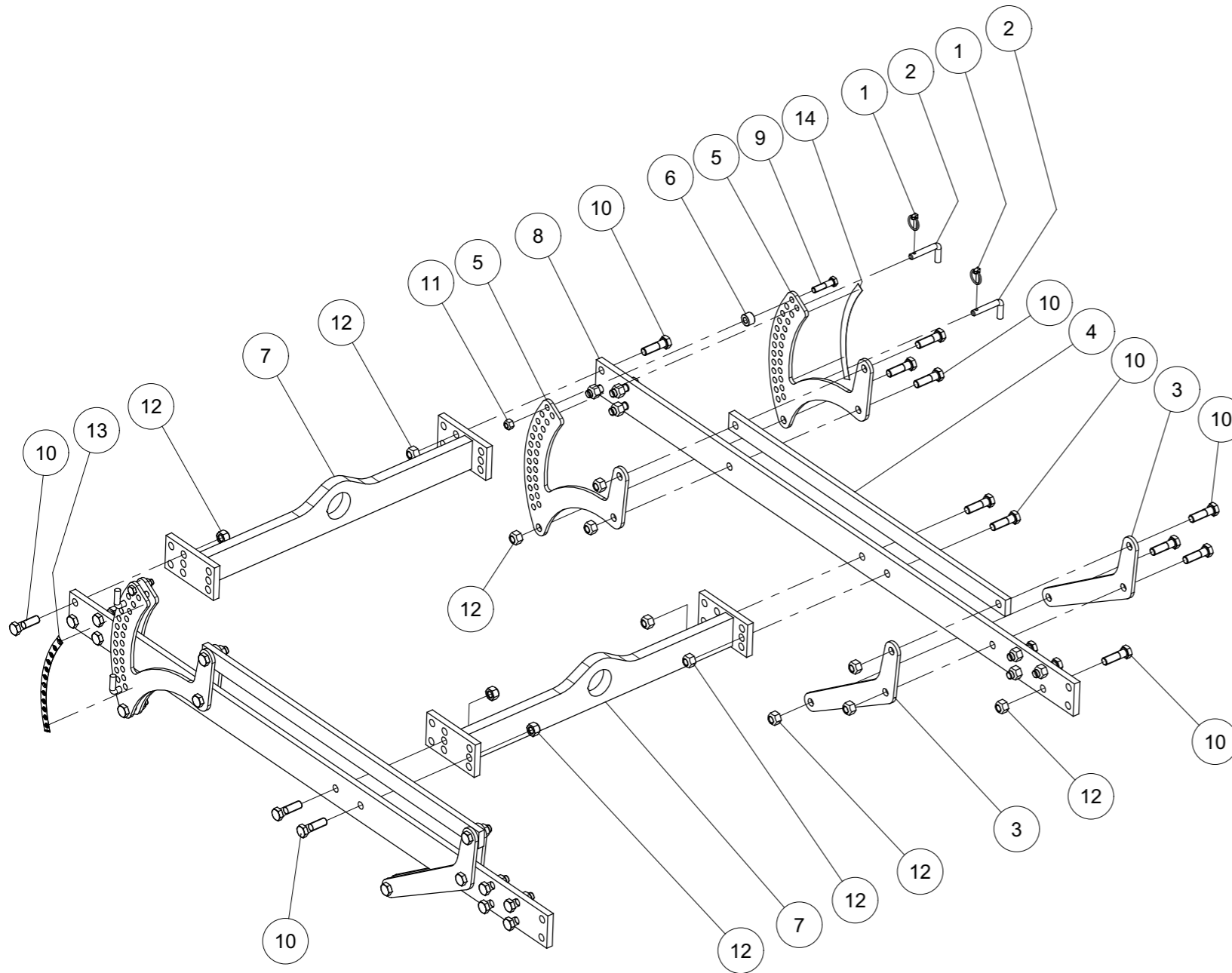
Index	Quantity	Reference	Designation
1	2	125DA25A	Rondelle A 25 ISO7089 Zinguée Washer A 25 ISO7089 Zinc.
2	2	6258.90.16	Axe Bolt
3	2	6258.90.17	Douille Z. Sleeve Z.
4	1	6258.90.80	Bride de liaison supérieure droit Upper link flap right
5	1	6258.90.81	Bride de liaison supérieure gauche Upper link flap left
6	2	985D2415PA	Ecrou HFR M24x1,5 ISO10511-8 Z Nut HFR M24x1,5 ISO10511-8 Z





Porte-outils L cpl.

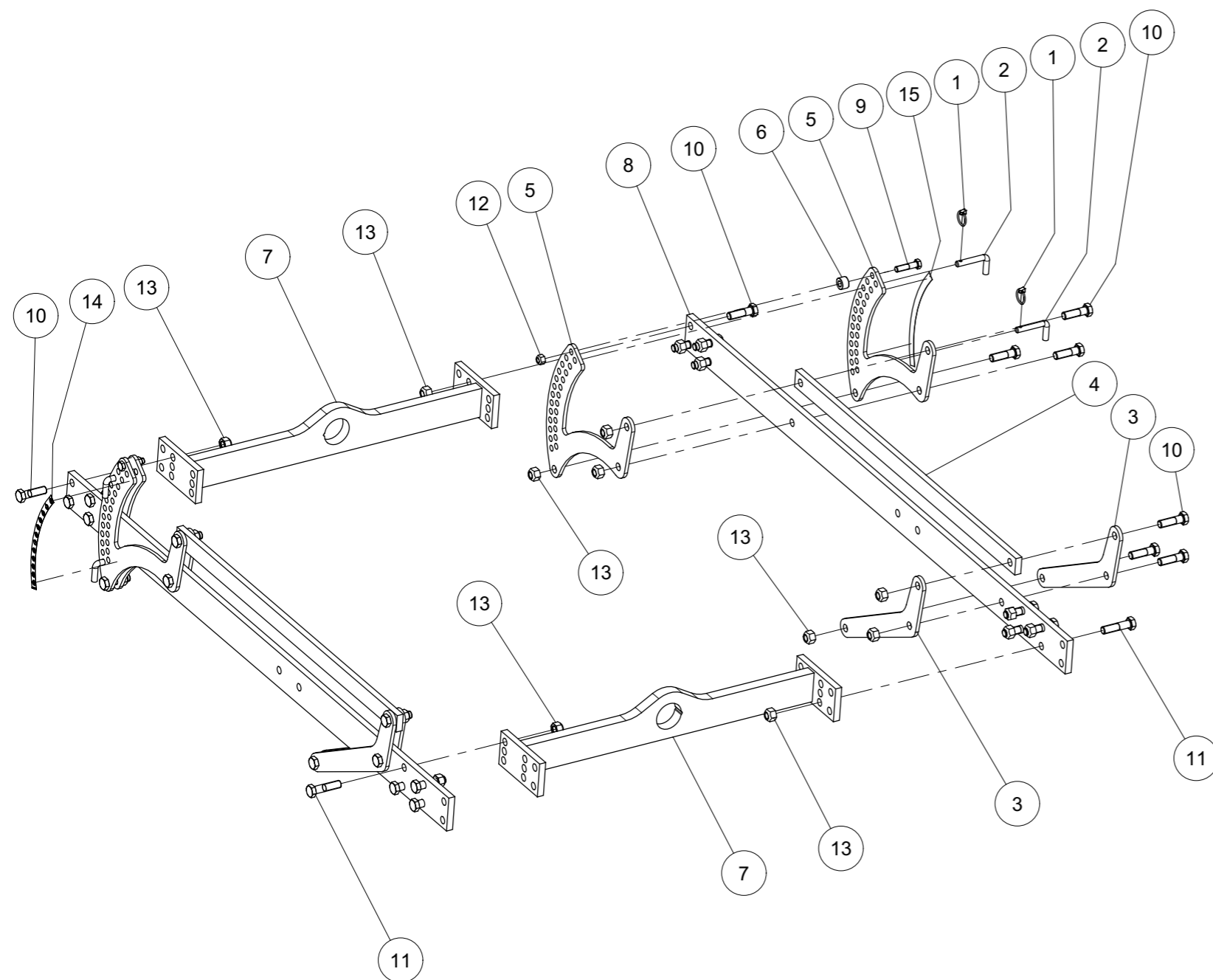
Tool carrier L cpl.



Index	Quantity	Reference	Designation
1	4	11023D532A	Goupille "Clips" Dia 5 Z Lynch pin Dia5
2	4	6241.29.02	Axe TB-12x50 Pin TB-12x50
3	4	6253.06.01	Plaque de direction Steering plate
4	2	6253.10.02	Support Strut
5	4	6253.56.05	Réglage Adjuster
6	2	6258.02.03	Espaceur Spacer
7	2	6258.02.05	Faisceau soudé Beam welded
8	2	6258.02.10	Rail longitudinal Longitudinal rail
9	2	931D1250PA	Vis H M12 x 50 ZNBL 8.8 Hex. Screw M12 x 50 Zinc 8.8
10	32	931D1655PA	Vis H M16 x 55 ZNBL 8.8 Hex. Screw M16 x 55 Zinc 8.8
11	2	980DV12PA	Ecrou M12 ZNBL 8.8 Nut M12 Zinc 8.8
12	32	980DV16PA	Ecrou M16 ZNBL 8.8 Nut M16 Zinc 8.8
13	1	9998.09.05	Échelle d'autocollant à gauche Sticker scale left
14	1	9998.09.06	Échelle d'autocollant à droite Sticker scale right



Porte-outils cpl.
Tool carrier LS cpl.

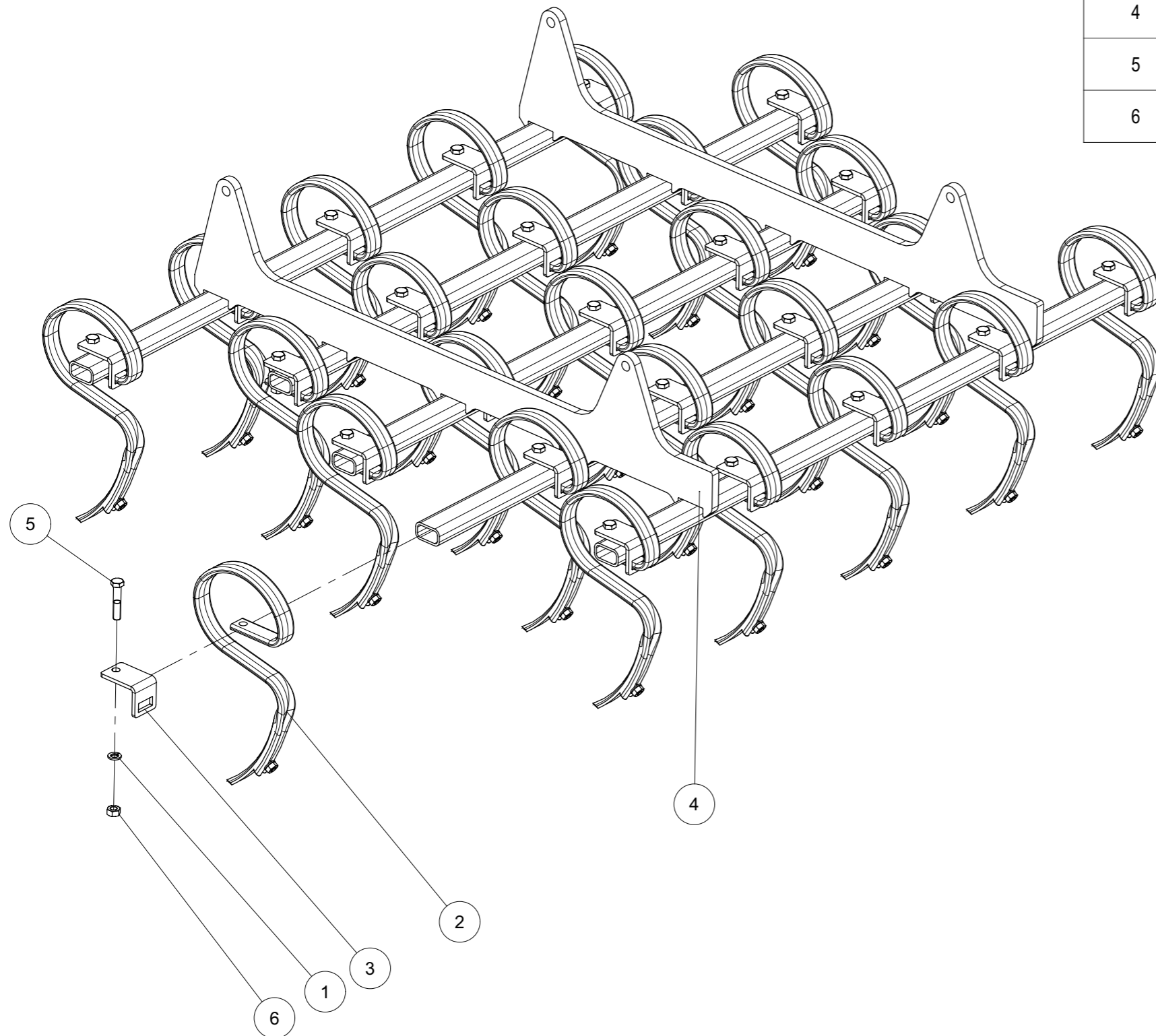


Index	Quantity	Reference	Designation
1	4	11023D532A	Goupille "Clips" Dia 5 Z Lynch pin Dia5
2	4	6241.29.02	Axe TB-12x50 Pin TB-12x50
3	4	6253.06.01	Plaque de direction Steering plate
4	2	6253.10.02	Support Strut
5	4	6253.56.05	Réglage Adjuster
6	2	6258.02.03	Espaceur Spacer
7	2	6258.02.05	Faisceau soudé Beam welded
8	2	6258.02.10	Rail longitudinal Longitudinal rail
9	2	931D1250PA	Vis H M12 x 50 ZNBL 8.8 Hex. Screw M12 x 50 Zinc 8.8
10	20	931D1655PA	Vis H M16 x 55 ZNBL 8.8 Hex. Screw M16 x 55 Zinc 8.8
11	8	931D1665PA	Vis H M16 x 65 ZNBL 8.8 Hex. Screw M16 x 65 Zinc 8.8
12	2	980DV12PA	Ecrou M12 ZNBL 8.8 Nut M12 Zinc 8.8
13	28	980DV16PA	Ecrou M16 ZNBL 8.8 Nut M16 Zinc 8.8
14	1	9998.09.05	Échelle d'autocollant à gauch Sticker scale left
15	1	9998.09.06	Échelle d'autocollant à droit Sticker scale right



Dent-élément de herse VEG-18 cpl.
Gare harrowing tine field VEG-18 cpl.

Index	Quantity	Reference	Designation
1	25	127DA12A	Rondelle élastique A 12 DIN127 Z Springwasher A 12 DIN127 Z
2	25	6242.17.01	Dent VEG-18 cpl. S-tine VEG-18 cpl.
3	25	6251.01.03	Support de dent Tine holder
4	1	6253.59.01	Élément de herse soudé Harrow section welded
5	25	931D1260PA	Vis H M12 x 60 ZNBL 8.8 Hex. Screw M12 x 60 Zinc 8.8
6	25	934D12PA	Ecrou std H M12 - pas 175 Zingue Nut std H M12 - thread 175 Zingue

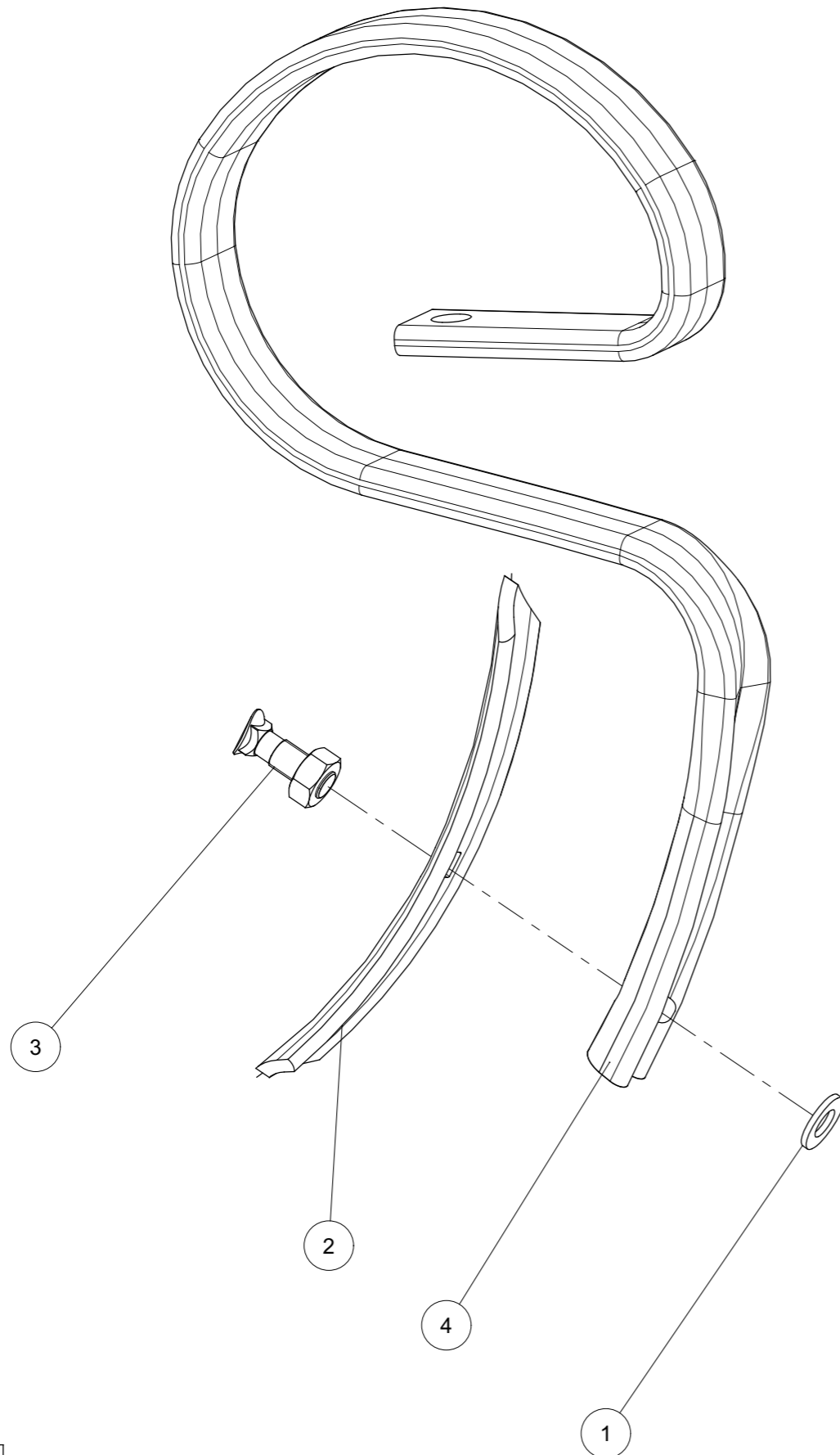




Dent VEG-18 cpl.

S-tine VEG-18 cpl.

Index	Quantity	Reference	Designation
1	1	125DA10.5A	Rondelle A 10.5 ISO 7089 Zinguée Washer A 10.5 ISO 7089 Zinc.
2	1	6242.08.02	Soc GG - 12 pour P56/1 Share GG - 12 for P56/1
3	1	6242.08.04	Vis SSS 10x35 + Ecrou Bolt SSS 10x35 + Hex nut
4	1	6242.17.02	Dent VEG-18 S-tine VEG-18

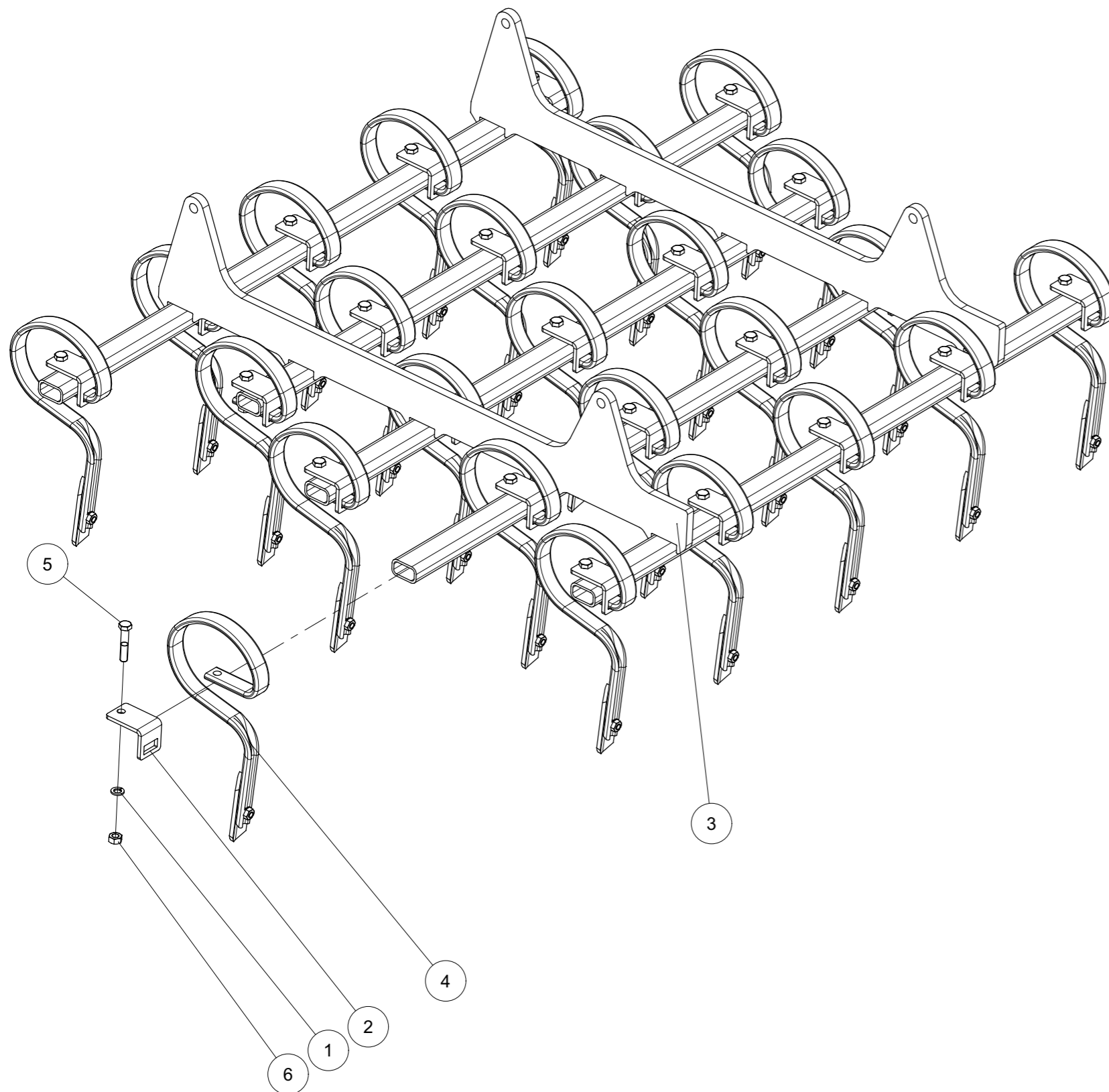


6242.17.01 (1/1)



Dent-élément de herse cpl.
Gare harrowing tine field cpl.

Index	Quantity	Reference	Designation
1	25	127DA12A	Rondelle élastique A 12 DIN127 Z Springwasher A 12 DIN127 Z
2	25	6251.01.03	Support de dent Tine holder
3	1	6253.59.01	Élément de herse soudé Harrow section welded
4	25	8007.63.00	Dent debout raide 32x10 cpl. Tine steep standing 32x10 cpl.
5	25	931D1260PA	Vis H M12 x 60 ZNBL 8.8 Hex. Screw M12 x 60 Zinc 8.8
6	25	934D12PA	Ecrou std H M12 - pas 175 Zingue Nut std H M12 - thread 175 Zingue

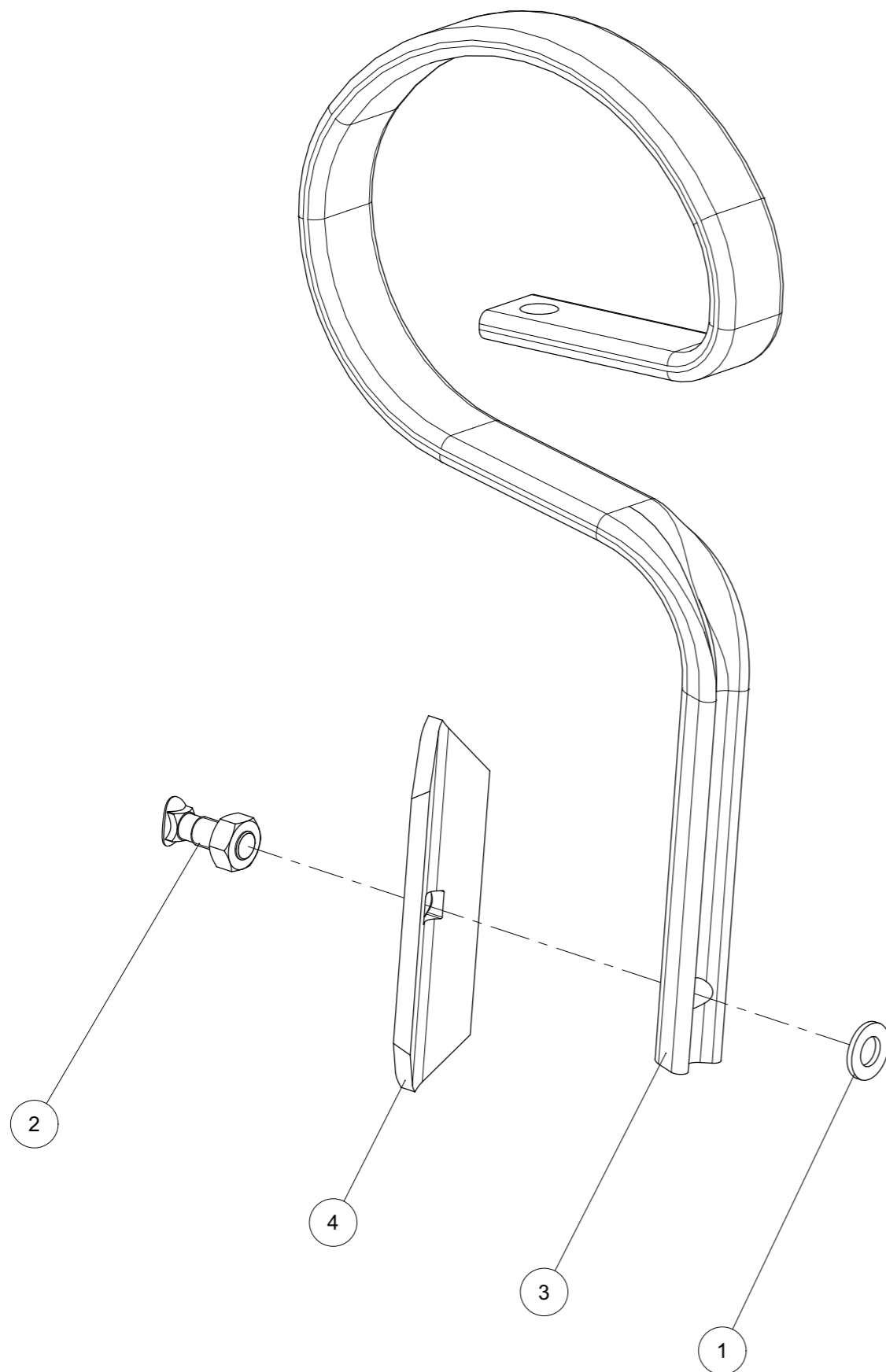




Dent debout raide 32x10 cpl.

Tine steep standing 32x10 cpl.

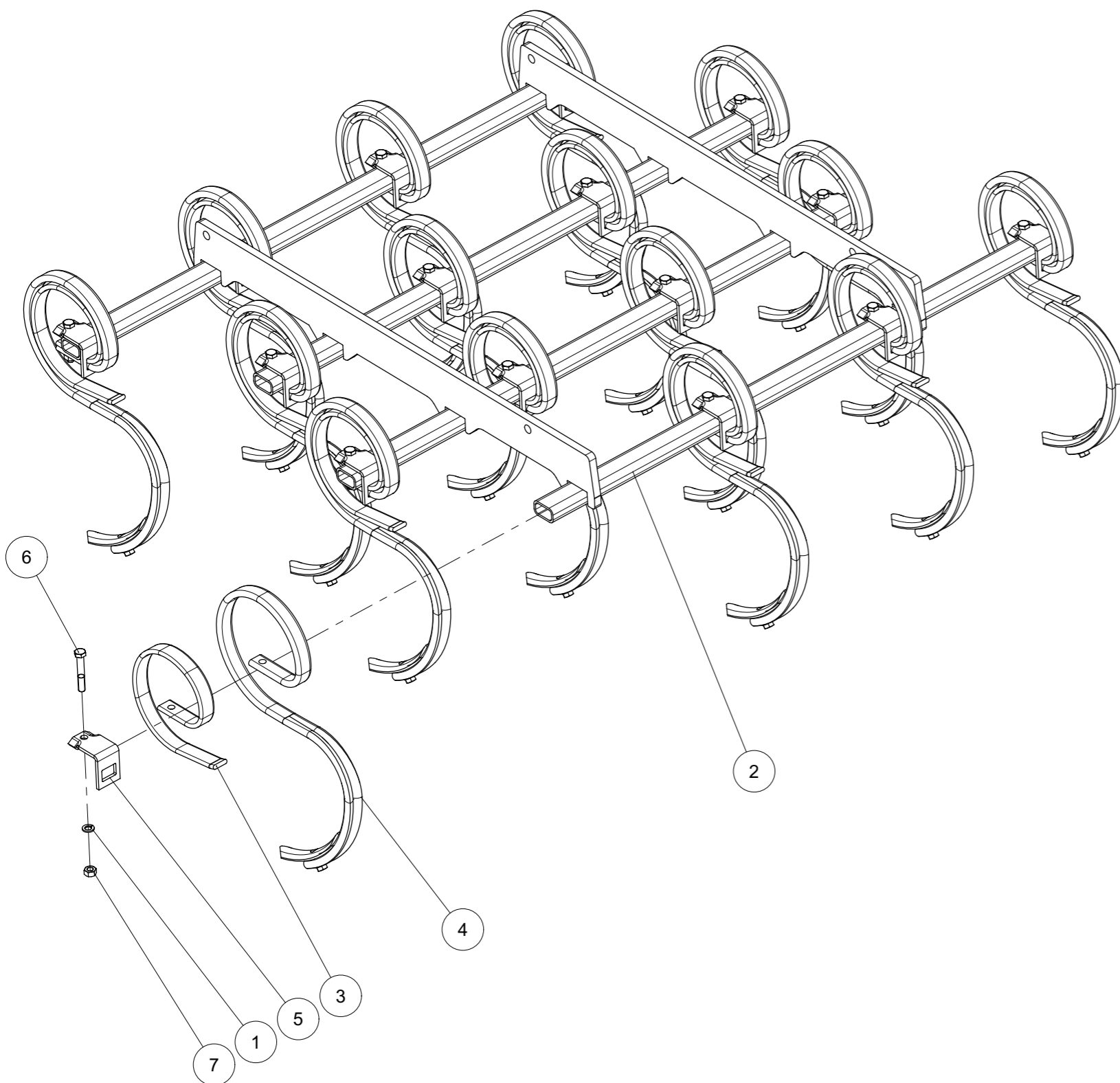
Index	Quantity	Reference	Designation
1	1	125DA10.5A	Rondelle A 10.5 ISO 7089 Zinguée Washer A 10.5 ISO 7089 Zinc.
2	1	6242.08.04	Vis SSS 10x35 + Ecrou Bolt SSS 10x35 + Hex nut
3	1	8007.63.01	Dent debout raide 32x10 Tine steep standing 32x10
4	1	8007.63.02	Soc 40x6 Share 40x6





Jeu de dents renforcés, élément de herse cpl.

Double spring tine, harrow section cpl.

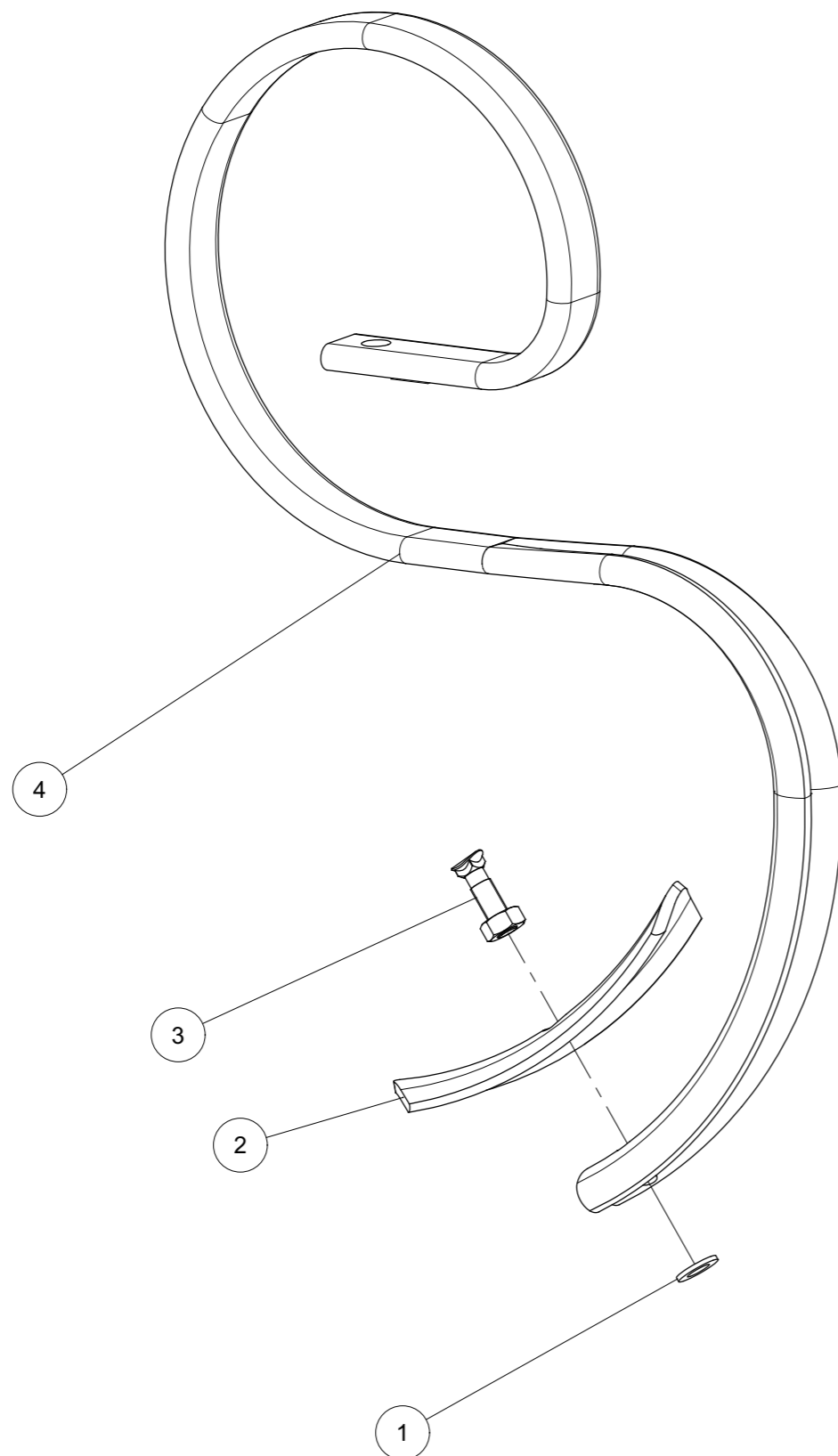


Index	Quantity	Reference	Designation
1	16	127DA12A	Rondelle élastique A 12 DIN127 Z Springwascher A 12 DIN127 Z
2	1	6253.58.01	Élément de herse Harrow section
3	16	8007.33.02	Renfort VEG-14 Reinforcement VEG-14
4	16	8007.42.02	Dents VEG-16 montées Tines VEG-16 mounted
5	16	8007.43.03	Plaquette Plate
6	16	931D1275PA	Vis H M12 x 75 ZNBL 8.8 Hex. Screw M12 x 75 Zinc 8.8
7	16	934D12PA	Ecrou std H M12 - pas 175 Zingue Nut std H M12 - thread 175 Zingue



Dents VEG-16 montées
Tines VEG-16 mounted

Index	Quantity	Reference	Designation
1	1	126D11A	Rondelle 11 ISO7091 ZNBL Washer 11 ISO7091 ZNBL
2	1	8007.18.03	Soc 40x5 GG-503 Share 40x5 GG-503
3	1	8007.18.04	Vis SSS 10x40 + Ecrou Bolt SSS 10x40 + Hex nut
4	1	8007.42.01	Dents de herse culture VEG-16 Culture harrow tines VEG-16



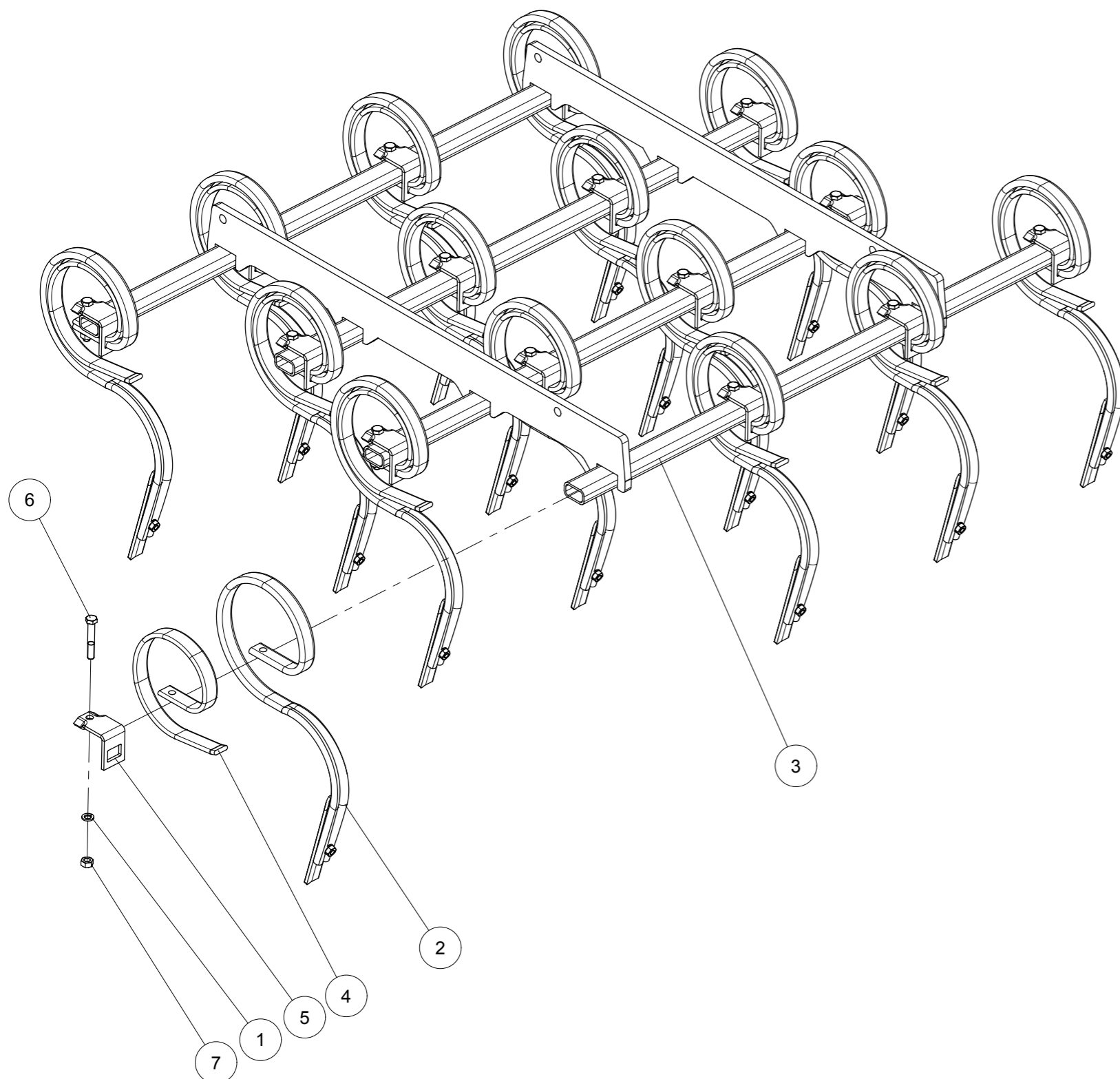
8007.42.02 (1/1)



Vibra dent renforcées cpl.

Vibra tine reinforced cpl.

Index	Quantity	Reference	Designation
1	16	127DA12A	Rondelle grower A 12 DIN127 Zinguée Springwasher A 12 DIN127 Z
2	16	6251.77.01	Vibra dent avec Soc monté Vibra tine with share mounted
3	1	6253.58.01	Elément de herse Harrow section
4	16	8007.33.02	Renfort VEG-14 Reinforcement VEG-14
5	16	8007.43.03	Plaque Plate
6	16	931D1275PA	Vis H M12 x 75 ZNBL 8.8 Hex. Screw M12 x 75 Zinc 8.8
7	16	934D12PA	Ecrou std H M12 - pas 175 Zingue Nut std H M12 - thread 175 Zingue

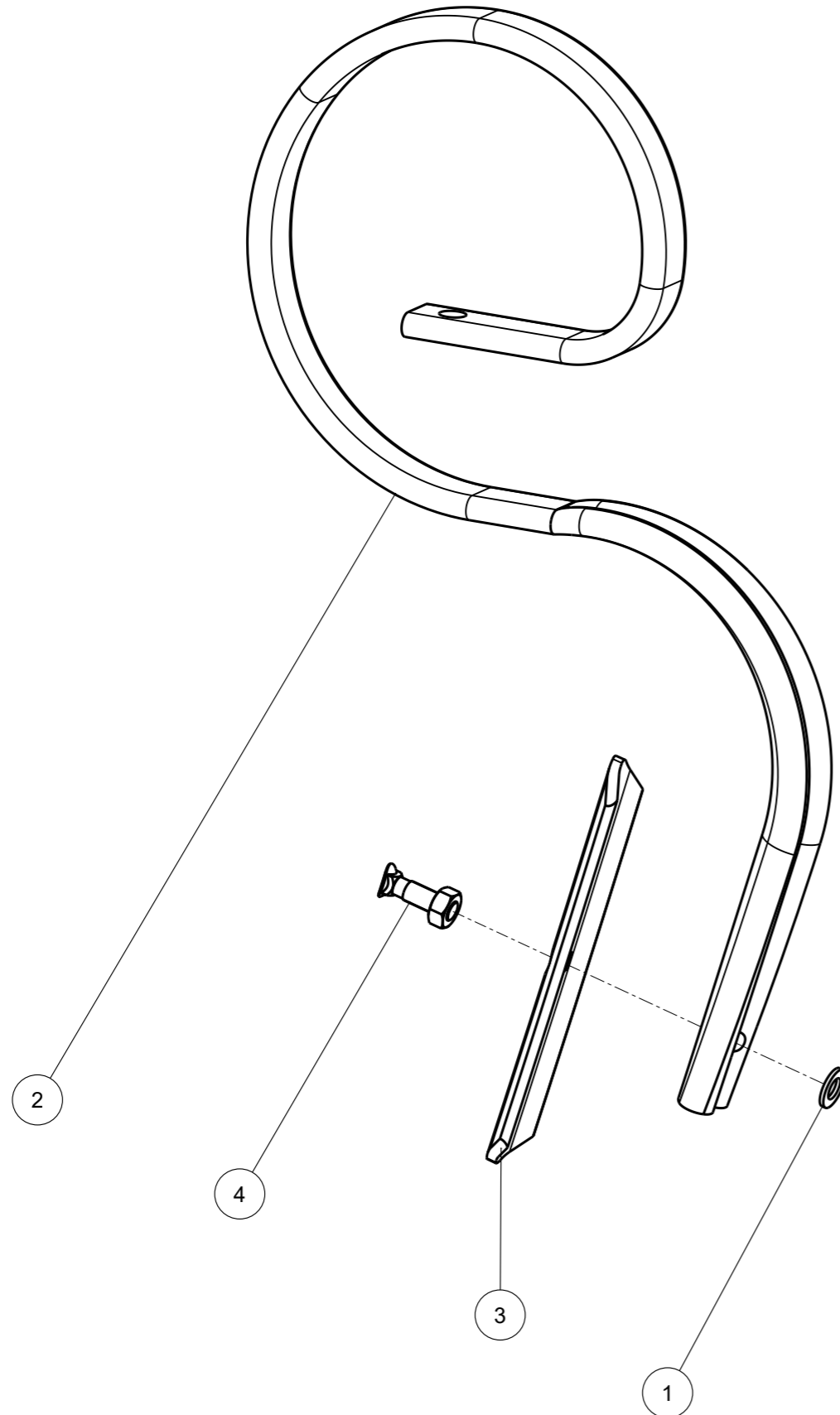


 M12 - 8.8
105 N.m



Vibra dent avec Soc monté
Vibra tine with share mounted

Index	Quantity	Reference	Designation
1	1	126D11A	Rondelle 11 ISO7091 ZNBL Washer 11 ISO7091 ZNBL
2	1	6251.77.02	Vibra dent 32x12 Vibra tine 32x12
3	1	6251.77.03	Soc Share
4	1	8007.18.04	Vis SSS 10x40 + Ecrou Bolt SSS 10x40 + Hex nut

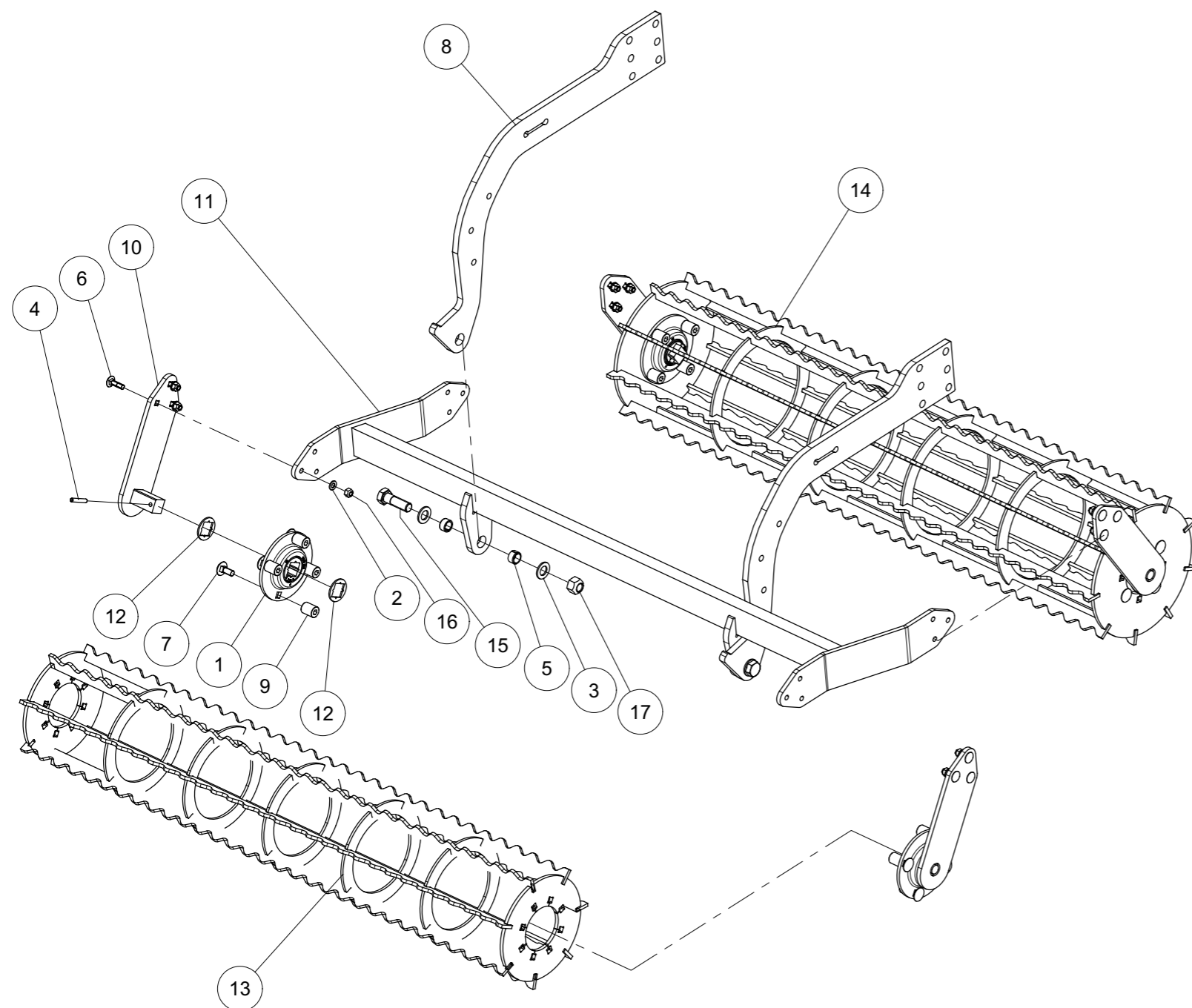


6251.77.01 (1/1)



Rouleau denté pointu Tandem TillXtrem

Pointed toothed roller Tandem TillXtrem



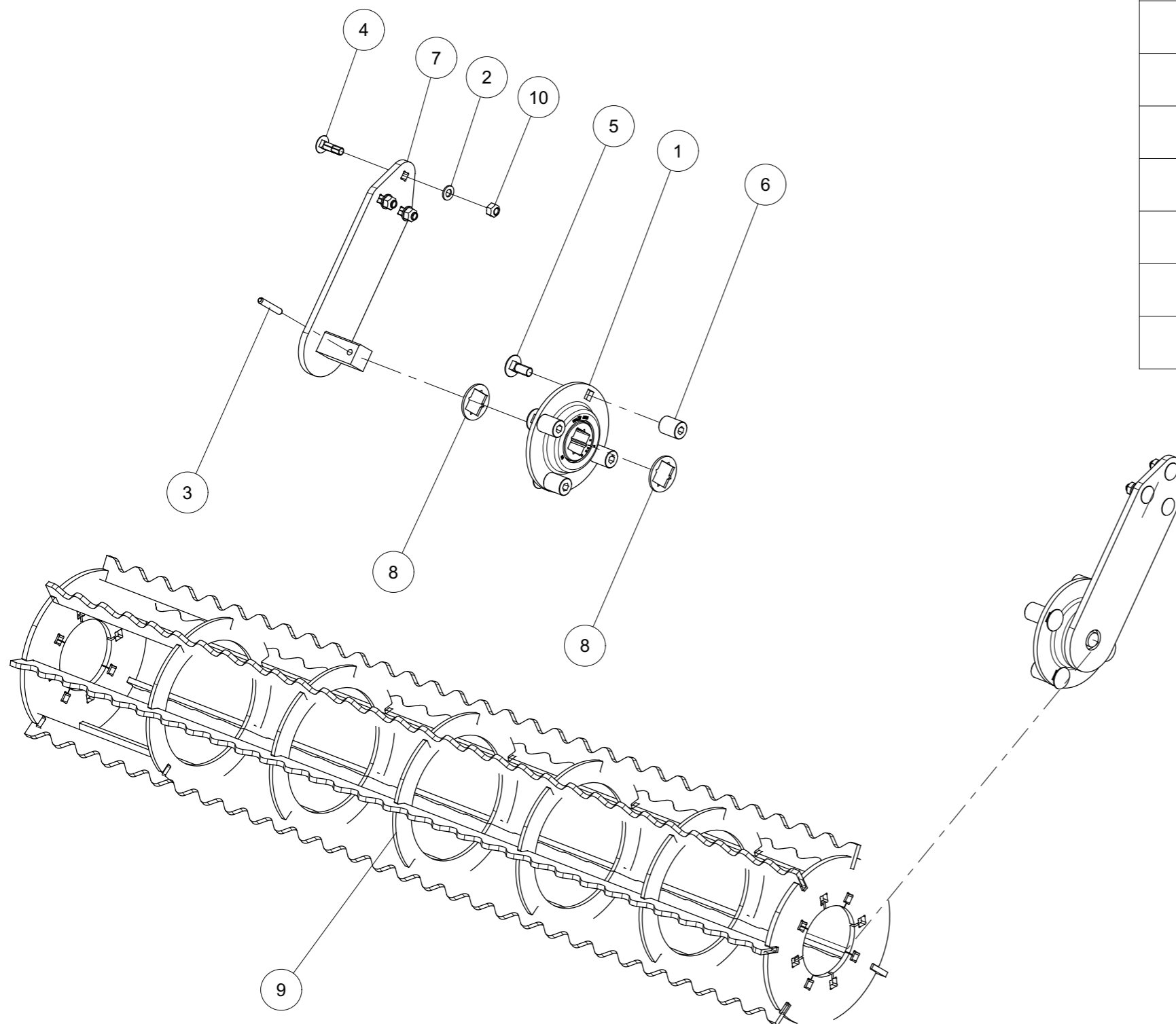
Index	Quantity	Reference	Designation
1	4	6 300 938	Palier 209 C30 TillXtreme (BTE938) Bearing 209 C30 TillXtreme (BTE938)
2	12	125DA10.5A	Rondelle A 10.5 ISO 7089 Zinguée Washer A 10.5 ISO 7089 Zinc.
3	4	125DA21A	Rondelle A 21 ISO7089 ZNBL Washer A 21 ISO7089 Zinc.
4	4	1481D850A	Goupille elastique 8 X 50 ISO8752 Z Spring Pin 8 X 50 ISO8752 Z
5	4	1498D202614	Douille EG 20/26x14 DIN1498 Bush EG 20/26x14 DIN1498
6	12	603D1035PA	Vis TRCC M10x35 ISO8677-8.8 ZNBL Round-head bolt M10x35 ISO8677-8.8 Z
7	16	603D1230PA	Vis TRCC M12x30 ISO8677-8.8 ZNBL Round-head bolt M12x30 ISO8677-8.8 Z
8	2	6258.23.39	Levier Lever
9	16	6812.25.15	Ecrou spéciale M 12x30 Special nut M 12x30
10	4	6812.25.34	Bras de support SQ 30 Support arm SQ 30
11	1	6812.25.67	Porteur soudé Welded carrier
12	8	6812.25.92	Rondelle de calage palier Adjusting washer
13	1	6812.27.80	Rouleau denté pointu D270 Pointed toothed roller D270
14	1	6812.27.81	Rouleau denté pointu D330 Pointed toothed roller D330
15	2	931D2065NA	Vis H M20 x 65 ZNBL 10.9 Hex. Screw M20 x 65 Zinc 10.9
16	12	980DV10PA	Ecrou M10 ZNBL 8.8 Nut M10 Zinc 8.8
17	2	980DV20NA	Ecrou M20 ZNBL 10.9 Nut M20 Zinc 10.9



Kit Rouleau denté pointu D270 TillXtrem

Kit Pointed toothed roller D270 TillXtrem

Index	Quantity	Reference	Designation
1	2	6 300 938	Palier 209 C30 TillXtreme (BTE938) Bearing 209 C30 TillXtreme (BTE938)
2	6	125DA10.5A	Rondelle A 10.5 ISO 7089 Zinguée Washer A 10.5 ISO 7089 Zinc.
3	2	1481D850A	Goupille elastique 8 X 50 ISO8752 Z Spring Pin 8 X 50 ISO8752 Z
4	6	603D1035PA	Vis TRCC M10x35 ISO8677-8.8 ZNBL Round-head bolt M10x35 ISO8677-8.8 Z
5	8	603D1230PA	Vis TRCC M12x30 ISO8677-8.8 ZNBL Round-head bolt M12x30 ISO8677-8.8 Z
6	8	6812.25.15	Ecrou spéciale M 12x30 Special nut M 12x30
7	2	6812.25.34	Bras de support SQ 30 Support arm SQ 30
8	4	6812.25.92	Rondelle de calage palier Adjusting washer
9	1	6812.27.80	Rouleau denté pointu D270 Pointed toothed roller D270
10	6	980DV10PA	Ecrou M10 ZNBL 8.8 Nut M10 Zinc 8.8

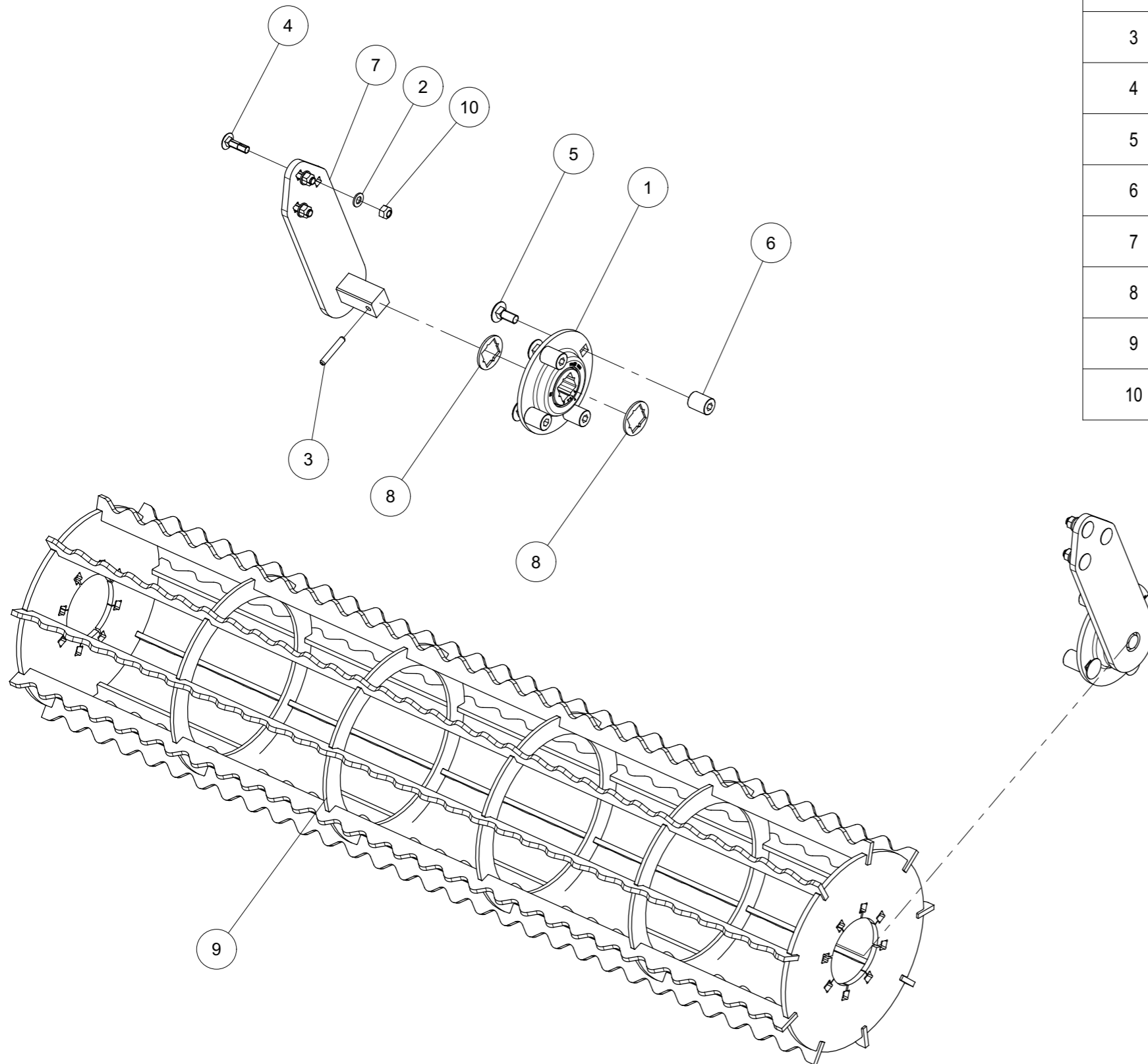




Kit Rouleau denté pointu D330 TillXtrem

Kit Pointed toothed roller D330 TillXtrem

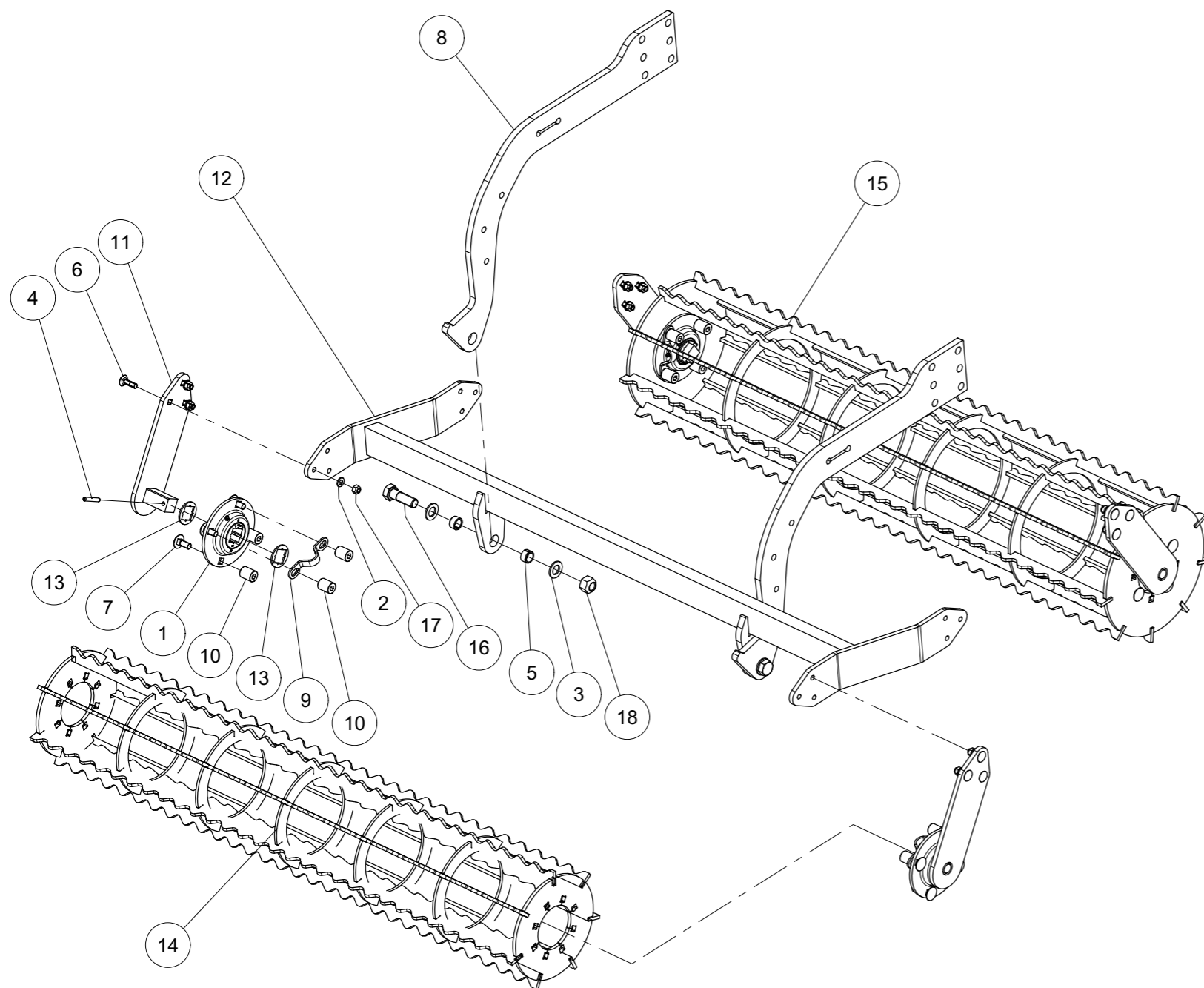
Index	Quantity	Reference	Designation
1	2	6 300 938	Palier 209 C30 TillXtreme (BTE938) Bearing 209 C30 TillXtreme (BTE938)
2	6	125DA10.5A	Rondelle A 10.5 ISO 7089 Zinguée Washer A 10.5 ISO 7089 Zinc.
3	2	1481D850A	Goupille elastique 8 X 50 ISO8752 Z Spring Pin 8 X 50 ISO8752 Z
4	6	603D1035PA	Vis TRCC M10x35 ISO8677-8.8 ZNBL Round-head bolt M10x35 ISO8677-8.8 Z
5	8	603D1230PA	Vis TRCC M12x30 ISO8677-8.8 ZNBL Round-head bolt M12x30 ISO8677-8.8 Z
6	8	6812.25.15	Ecrou spéciale M 12x30 Special nut M 12x30
7	2	6812.25.34	Bras de support SQ 30 Support arm SQ 30
8	4	6812.25.92	Rondelle de calage palier Adjusting washer
9	1	6812.27.81	Rouleau denté pointu D330 Pointed toothed roller D330
10	6	980DV10PA	Ecrou M10 ZNBL 8.8 Nut M10 Zinc 8.8





Rouleau denté pointu Re-Lube

Pointed toothed roller Re-Lube



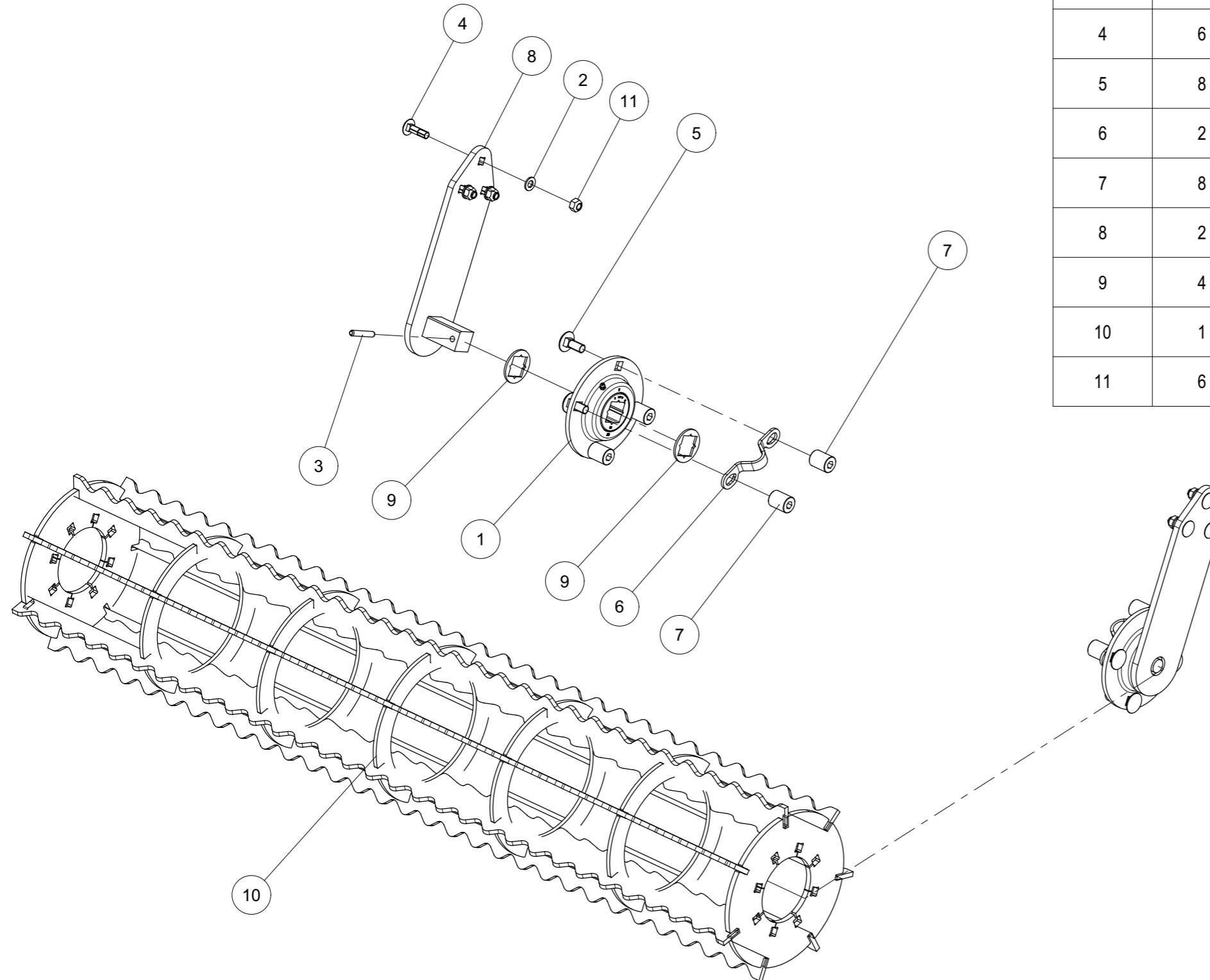
Index	Quantity	Reference	Designation
1	4	6 300 939	Palier 209 C30 ReLube (BTL939) Bearing 209 C30 ReLube (BTL939)
2	12	125DA10.5A	Rondelle A 10.5 ISO 7089 Zinguée Washer A 10.5 ISO 7089 Zinc.
3	4	125DA21A	Rondelle A 21 ISO7089 ZNBL Washer A 21 ISO7089 Zinc.
4	4	1481D850A	Goupille elastique 8 X 50 ISO8752 Z Spring Pin 8 X 50 ISO8752 Z
5	4	1498D202614	Douille EG 20/26x14 DIN1498 Bush EG 20/26x14 DIN1498
6	12	603D1035PA	Vis TRCC M10x35 ISO8677-8.8 ZNBL Round-head bolt M10x35 ISO8677-8.8 Z
7	16	603D1230PA	Vis TRCC M12x30 ISO8677-8.8 ZNBL Round-head bolt M12x30 ISO8677-8.8 Z
8	2	6258.23.39	Levier Lever
9	4	6812.25.08	Protection de graisseurs Grease nipple protection
10	16	6812.25.15	Ecrou spéciale M 12x30 Special nut M 12x30
11	4	6812.25.34	Bras de support SQ 30 Support arm SQ 30
12	1	6812.25.67	Porteur soudé Welded carrier
13	8	6812.25.92	Rondelle de calage palier Adjusting washer
14	1	6812.27.80	Rouleau denté pointu D270 Pointed toothed roller D270
15	1	6812.27.81	Rouleau denté pointu D330 Pointed toothed roller D330
16	2	931D2065NA	Vis H M20 x 65 ZNBL 10.9 Hex. Screw M20 x 65 Zinc 10.9
17	12	980DV10PA	Ecrou M10 ZNBL 8.8 Nut M10 Zinc 8.8
18	2	980DV20NA	Ecrou M20 ZNBL 10.9 Nut M20 Zinc 10.9



Kit Rouleau denté pointu D270 Re-Lube

Kit Pointed toothed roller D270 Re-Lube

Index	Quantity	Reference	Designation
1	2	6 300 939	Palier 209 C30 ReLube (BTL939) Bearing 209 C30 ReLube (BTL939)
2	6	125DA10.5A	Rondelle A 10.5 ISO 7089 Zinguée Washer A 10.5 ISO 7089 Zinc.
3	2	1481D850A	Goupille elastique 8 X 50 ISO8752 Z Spring Pin 8 X 50 ISO8752 Z
4	6	603D1035PA	Vis TRCC M10x35 ISO8677-8.8 ZNBL Round-head bolt M10x35 ISO8677-8.8 Z
5	8	603D1230PA	Vis TRCC M12x30 ISO8677-8.8 ZNBL Round-head bolt M12x30 ISO8677-8.8 Z
6	2	6812.25.08	Protection de graisseurs Grease nipple protection
7	8	6812.25.15	Ecrou spéciale M 12x30 Special nut M 12x30
8	2	6812.25.34	Bras de support SQ 30 Support arm SQ 30
9	4	6812.25.92	Rondelle de calage palier Adjusting washer
10	1	6812.27.80	Rouleau denté pointu D270 Pointed toothed roller D270
11	6	980DV10PA	Ecrou M10 ZNBL 8.8 Nut M10 Zinc 8.8

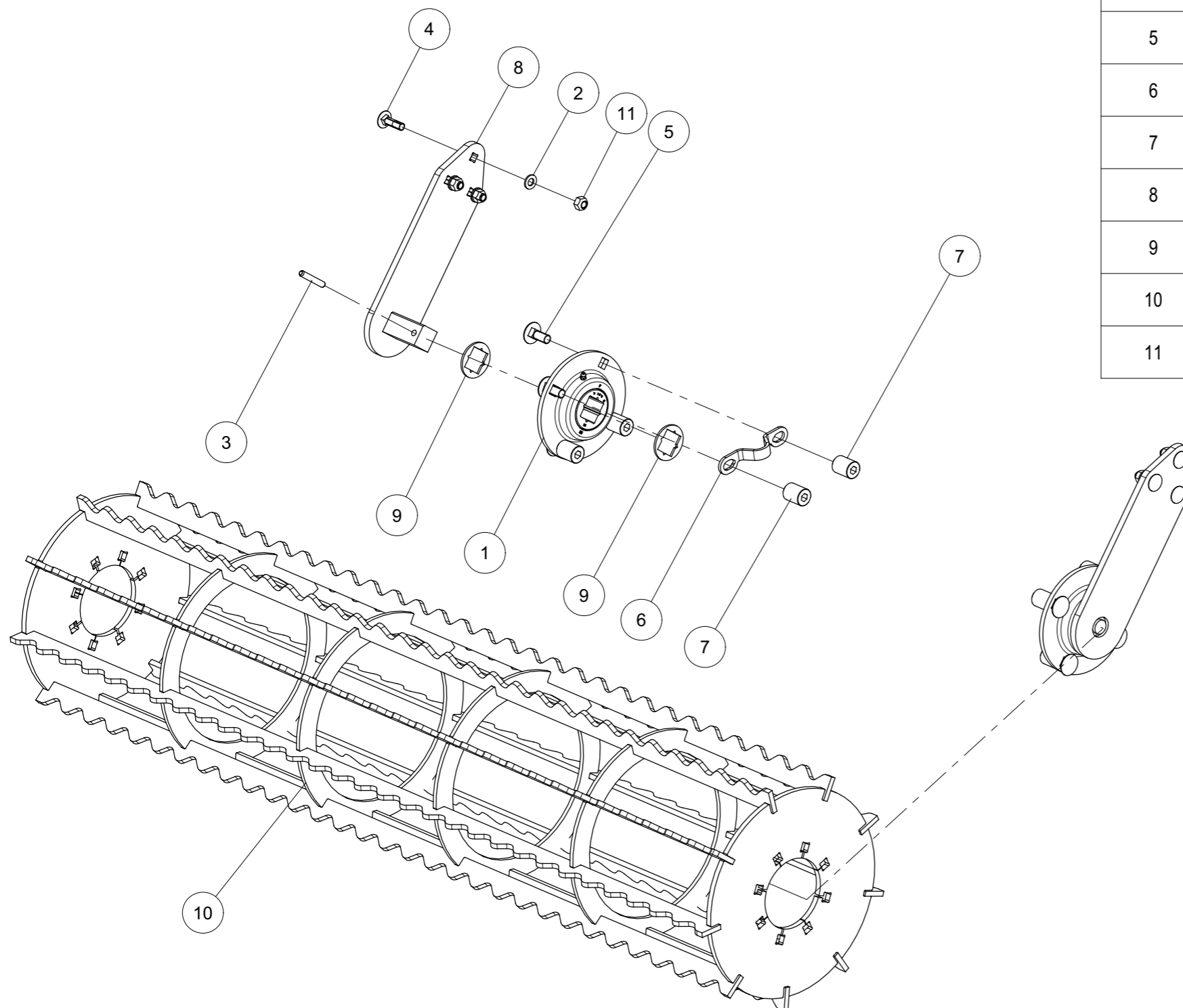




Kit Rouleau denté pointu D330 Re-Lube

Kit Pointed toothed roller D330 Re-Lube

Index	Quantity	Reference	Designation
1	2	6 300 939	Palier 209 C30 ReLube (BTL939) Bearing 209 C30 ReLube (BTL939)
2	6	125DA10.5A	Rondelle A 10.5 ISO 7089 Zinguée Washer A 10.5 ISO 7089 Zinc.
3	2	1481D850A	Goupille elastique 8 X 50 ISO8752 Z Spring Pin 8 X 50 ISO8752 Z
4	6	603D1035PA	Vis TRCC M10x35 ISO8677-8.8 ZNBL Round-head bolt M10x35 ISO8677-8.8 Z
5	8	603D1230PA	Vis TRCC M12x30 ISO8677-8.8 ZNBL Round-head bolt M12x30 ISO8677-8.8 Z
6	2	6812.25.08	Protection de graisseurs Grease nipple protection
7	8	6812.25.15	Ecrou spéciale M 12x30 Special nut M 12x30
8	2	6812.25.34	Bras de support SQ 30 Support arm SQ 30
9	4	6812.25.92	Rondelle de calage palier Adjusting washer
10	1	6812.27.81	Rouleau denté pointu D330 Pointed toothed roller D330
11	6	980DV10PA	Ecrou M10 ZNBL 8.8 Nut M10 Zinc 8.8

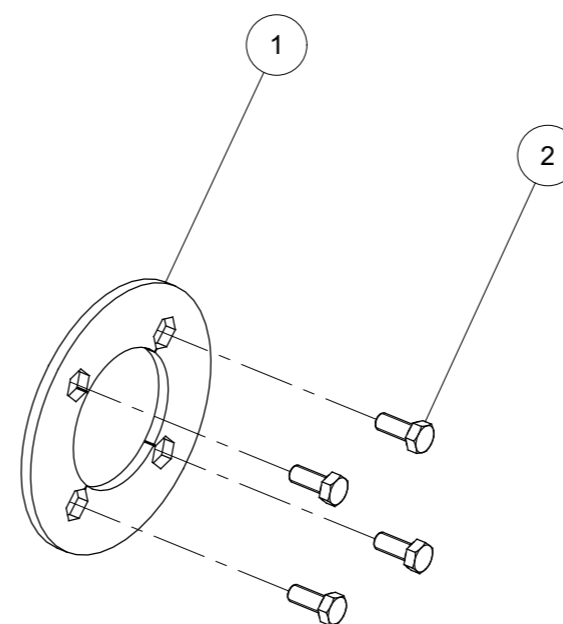
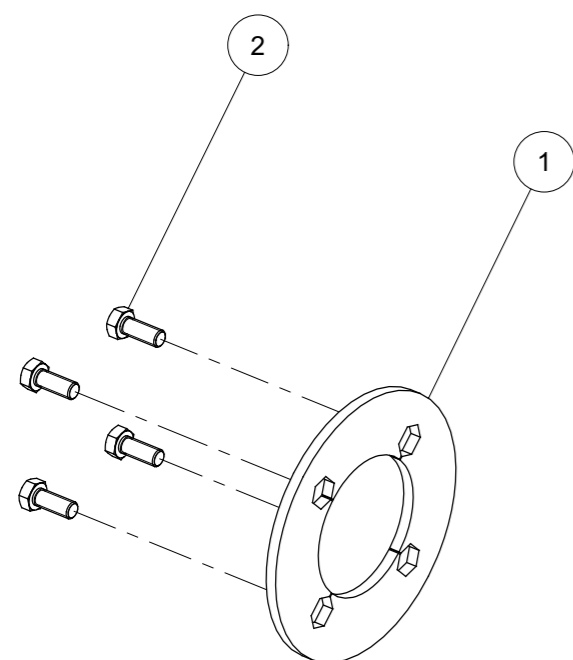




Set de couverture 6-kt. 270/190

Set Cover Steel 6-kt. 270/190

Index	Quantity	Reference	Designation
1	2	6812.27.58	Anneau de soudage D190 6-kt.SW19 (D270) Welding ring D190 6-kt.SW19 (D270)
2	8	VI 29 04	Vis H M12x 30 - 8.8 ZNBL Screw H M12x 30 - 8.8 ZNBL

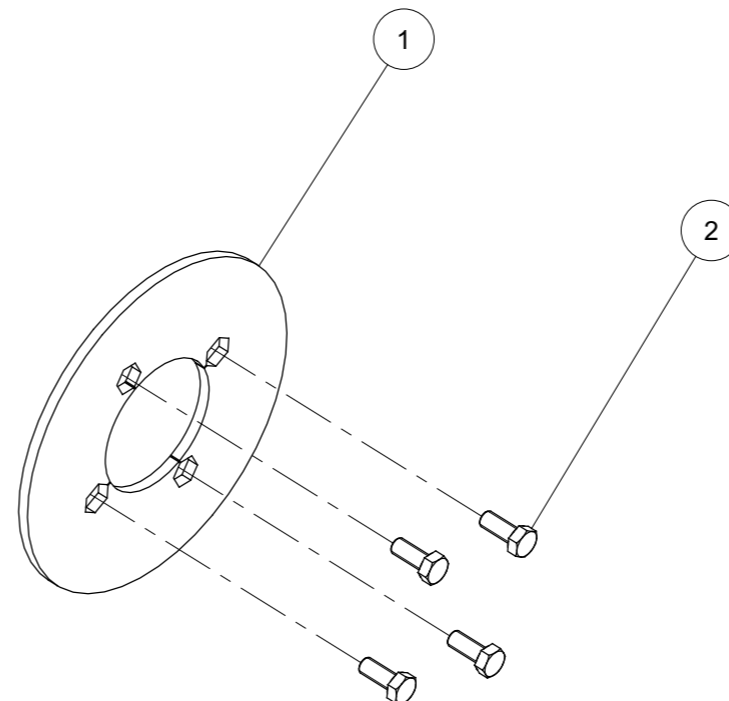
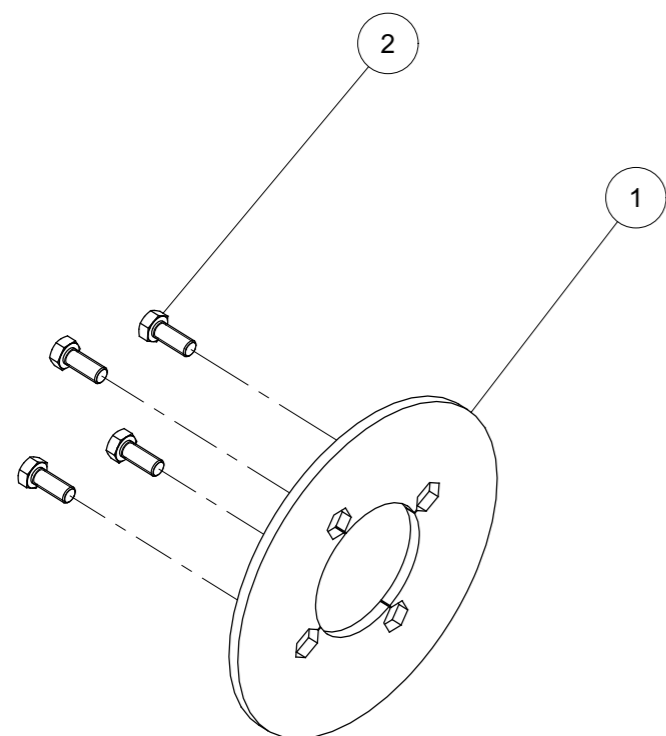




Set de couverture en acier 6-kt. 330/250

Set Cover Steel 6-kt. 330/250

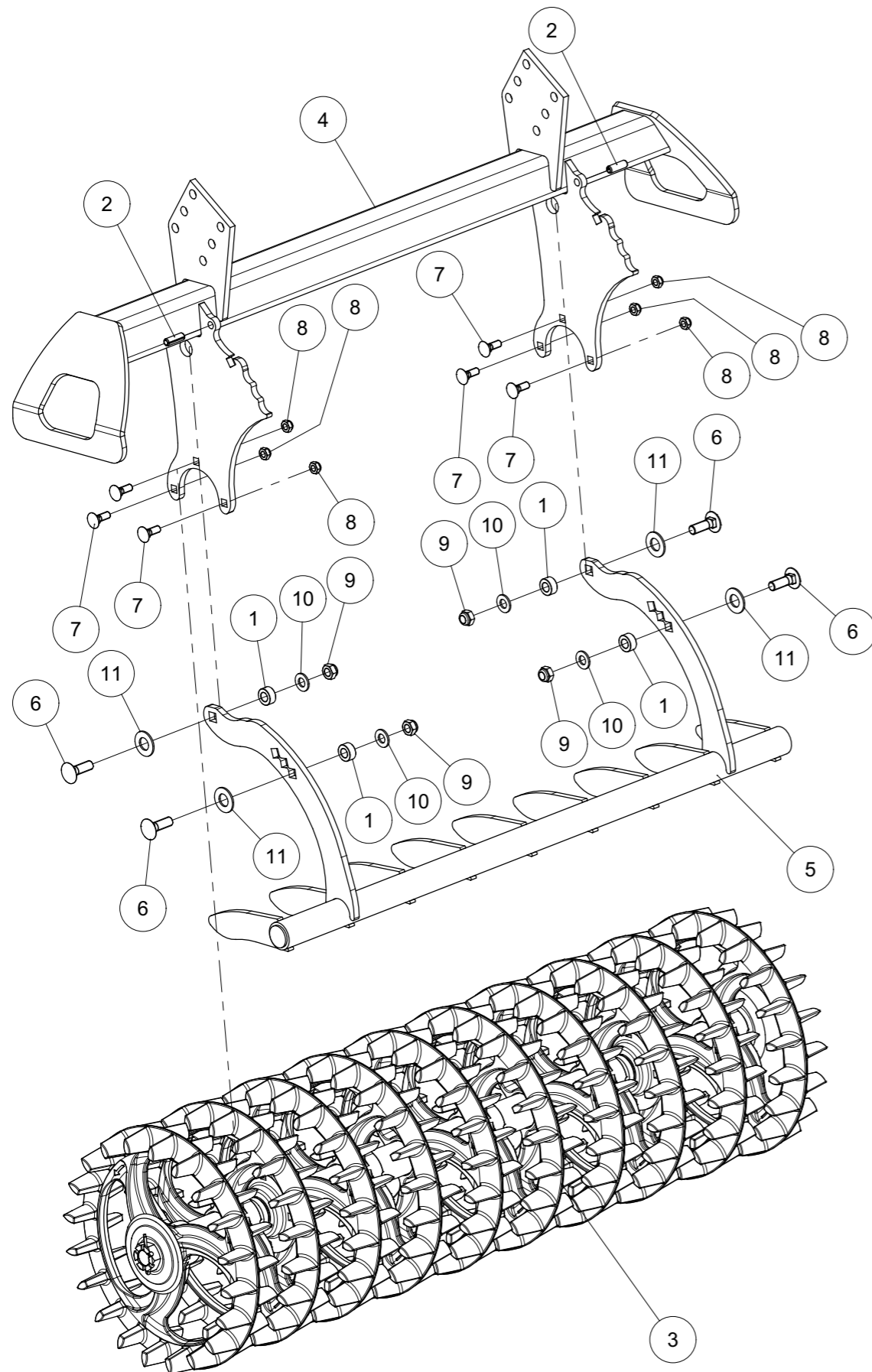
Index	Quantity	Reference	Designation
1	2	6812.27.65	Anneau de soudage D250 6-kt. SW19 (D330) Welding ring D250 6-kt. SW19 (D330)
2	8	VI 29 04	Vis H M12x 30 - 8.8 ZNBL Screw H M12x 30 - 8.8 ZNBL





Rouleau crosskill 1,50m cpl.

Crosskill roller 1,50m cpl.



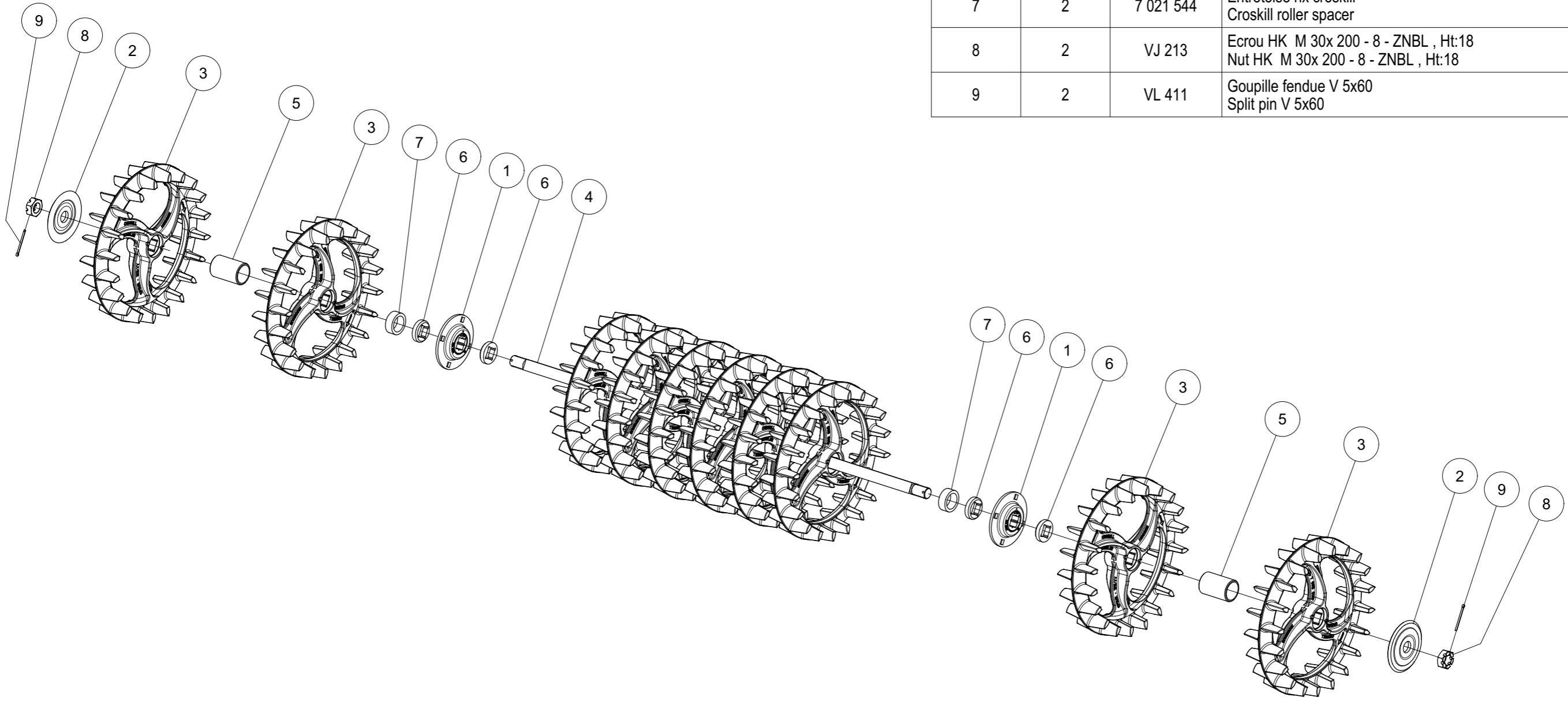
Index	Quantity	Reference	Designation
1	4	6 870 267	Douille butée de décrotoirs Abutment scrapers sleeve
2	2	1481D1340A	Goupille elastique 13 X 40 ISO8752 Z Spring Pin 13 X 40 ISO8752 Z
3	1	6808.21.01	Rouleau Croskill 1.5m - 10 roues Crosskill Roller - 10 Wheels
4	1	6808.21.02	Porte-rouleau soudé Roller holder welded
5	1	6808.21.10	Decrotoir Croskill aile gauche Scrapper bar
6	4	M 260 016	Vis TRCC M16x50 Screw TRCC M16x50
7	6	VI 16 20	Vis TRCC M12x 35 - 8.8 ZNBL Cup square neck M12x 35 - 8.8 ZNBL
8	6	VJ 322	Ecrou frein std H M 12 - 8 ZNBL Nyloc nut std H M 12 - 8 ZNBL
9	4	VJ 324	Ecrou frein std H M 16 - 8 ZNBL Nyloc nut std H M 16 - 8 ZNBL
10	4	VK 506	Rondelle plate MU16 ZNBL Flat washer MU16 ZNBL
11	4	VK 509	Rondelle plate MU22 ZNBL Flat washer MU22 ZNBL



Rouleau Croskill 1.5m - 10 roues

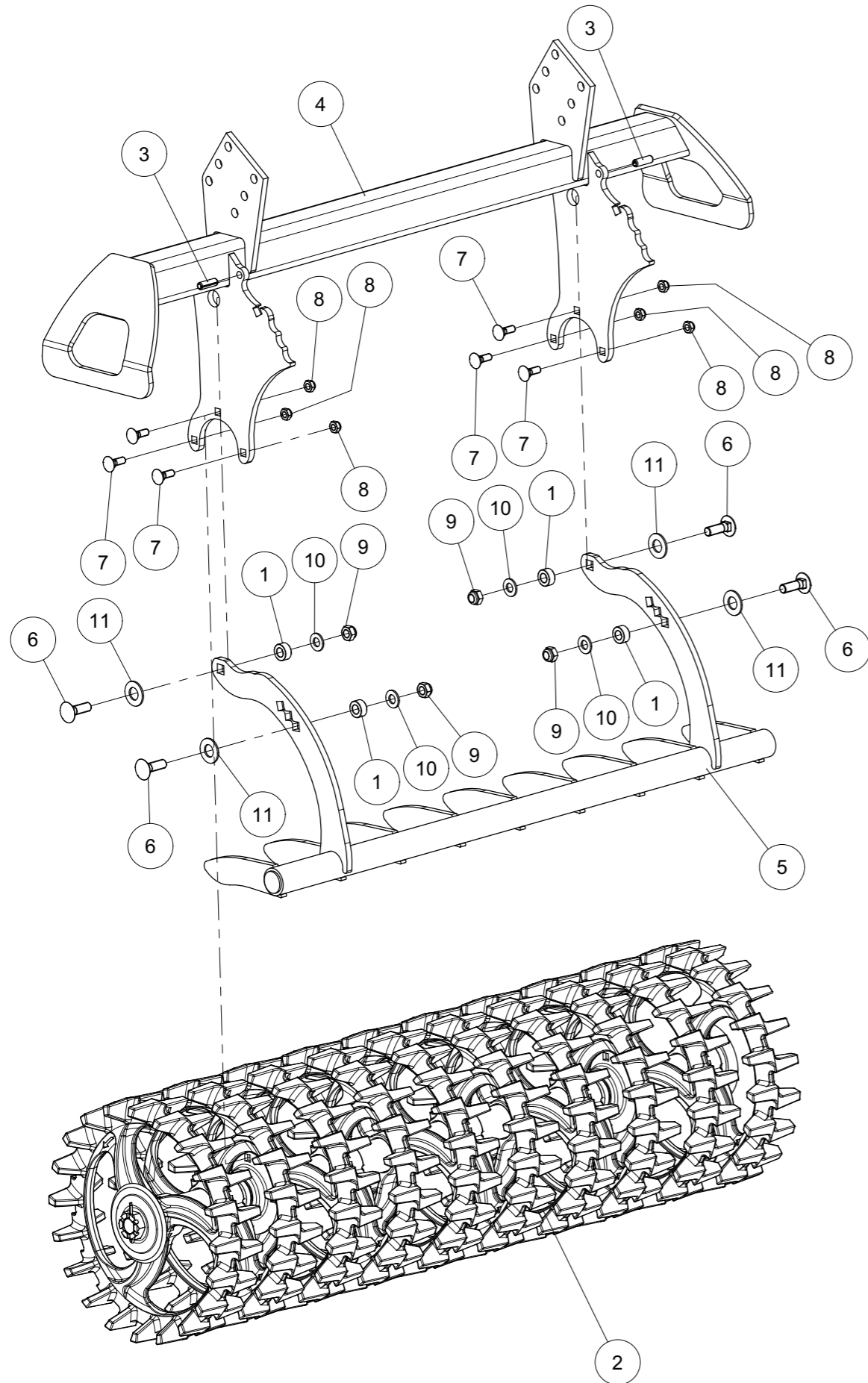
Crosskill Roller - 10 Wheels

Index	Quantity	Reference	Designation
1	2	6 300 938	Palier 209 C30 TillXtreme (BTE938) Bearing 209 C30 TillXtreme (BTE938)
2	2	6 432 654	Rondelle rattrapage jeu Ø144 Tighten up washer Ø144
3	10	7 005 009	Croskill Crumbler Croskill Crumbler
4	1	7 021 013	Arbre C30 10 roues Shaft C30 10 wheels
5	7	7 021 014	Entretoise rlx croskill Croskill roller spacer
6	4	7 021 543	Rondelle de palier (15mm) Bearing washer (15mm)
7	2	7 021 544	Entretoise rlx croskill Croskill roller spacer
8	2	VJ 213	Ecrou HK M 30x 200 - 8 - ZNBL , Ht:18 Nut HK M 30x 200 - 8 - ZNBL , Ht:18
9	2	VL 411	Goupille fendue V 5x60 Split pin V 5x60





Rouleau Crosskill plat cpl.
Nocking roller 1.50m cpl.

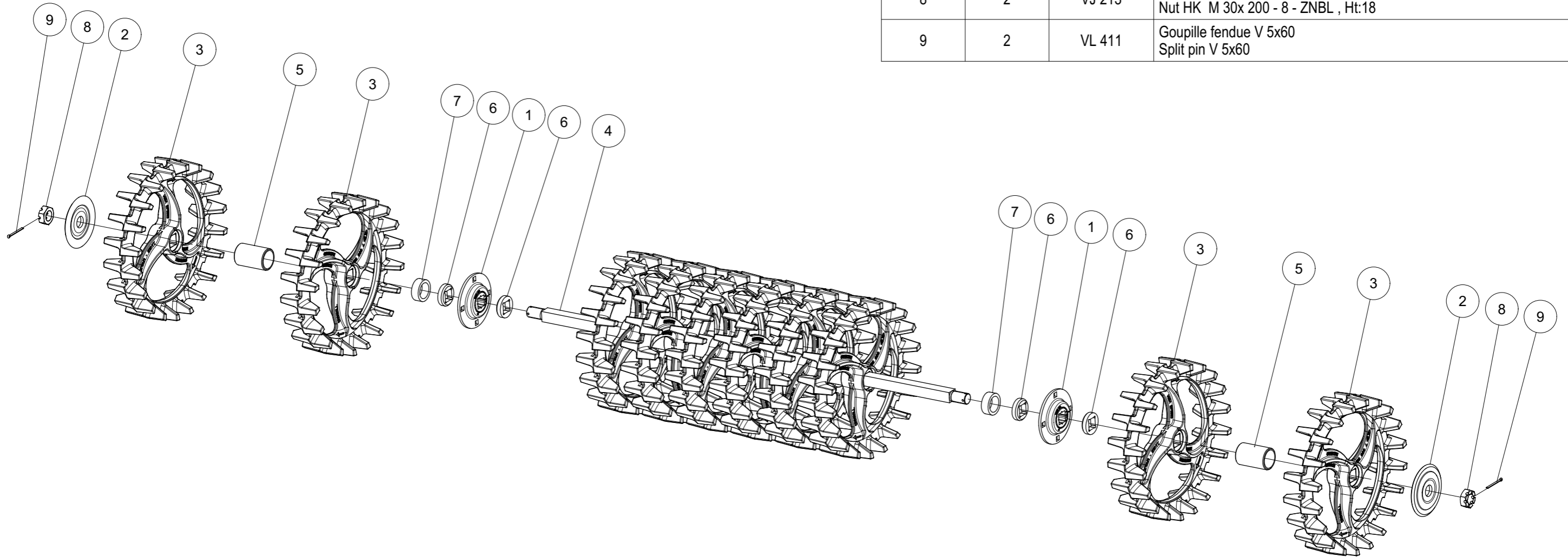


Index	Quantity	Reference	Designation
1	4	6 870 267	Douille butée de décrotoirs Abutment scrapers sleeve
2	1	7 021 017	Rlx Croskill Hi. 1.50m - 10 roues Nocking roller 1.50m - 10 wheels
3	2	1481D1340A	Goupille elastique 13 X 40 ISO8752 Z Spring Pin 13 X 40 ISO8752 Z
4	1	6808.21.02	Porte-rouleau soudé Roller holder welded
5	1	6808.21.10	Decrotoir Croskill aile gauche Scrapper bar
6	4	M 260 016	Vis TRCC M16x50 Screw TRCC M16x50
7	6	VI 16 20	Vis TRCC M12x 35 - 8.8 ZNBL Cup square neck M12x 35 - 8.8 ZNBL
8	6	VJ 322	Ecrou frein std H M 12 - 8 ZNBL Nyloc nut std H M 12 - 8 ZNBL
9	4	VJ 324	Ecrou frein std H M 16 - 8 ZNBL Nyloc nut std H M 16 - 8 ZNBL
10	4	VK 506	Rondelle plate MU16 ZNBL Flat washer MU16 ZNBL
11	4	VK 509	Rondelle plate MU22 ZNBL Flat washer MU22 ZNBL



Rlx Croskill Hi. 1.50m - 10 roues
Nockering roller 1.50m - 10 wheels

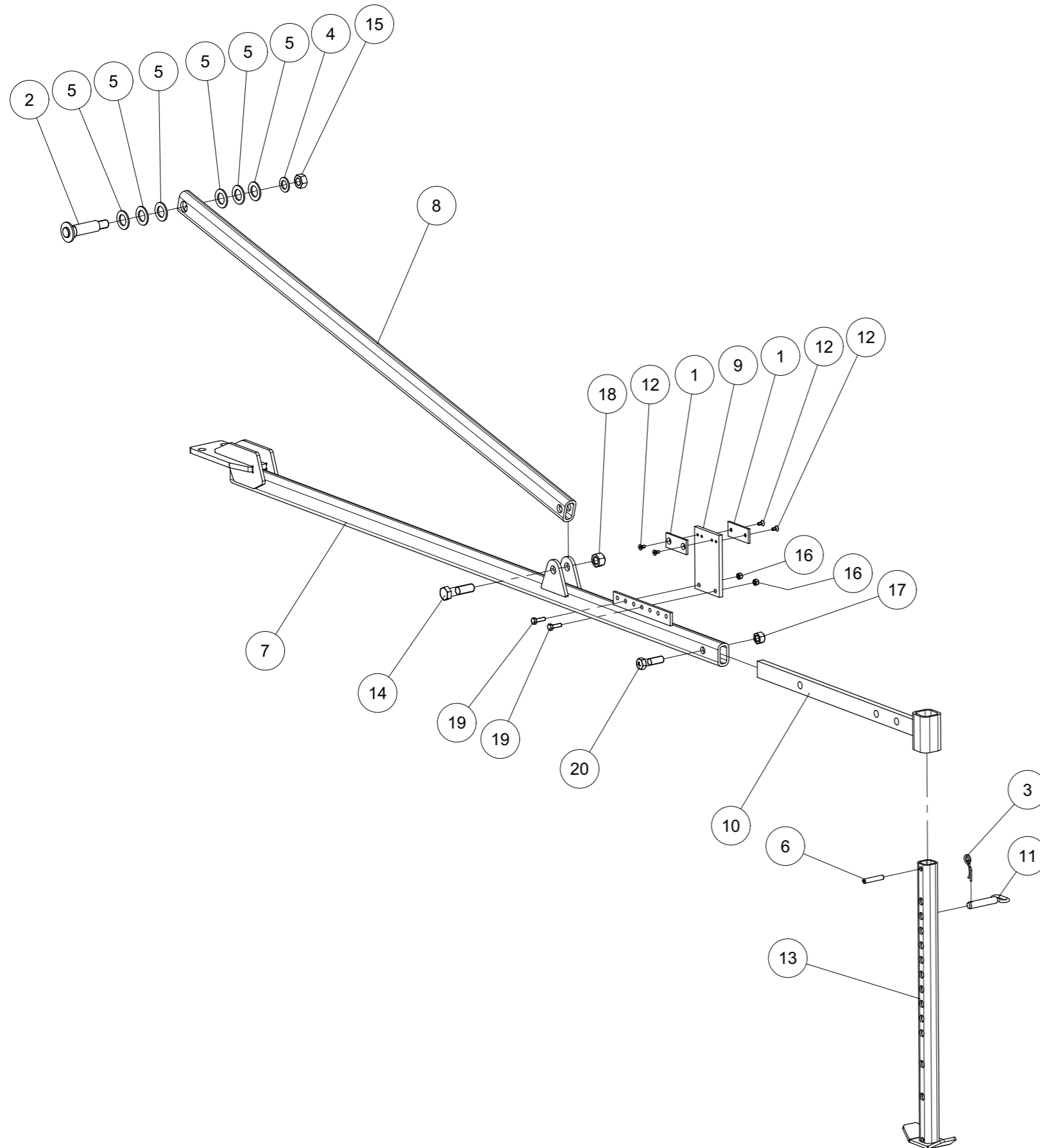
Index	Quantity	Reference	Designation
1	2	6 300 938	Palier 209 C30 TillXtreme (BTE938) Bearing 209 C30 TillXtreme (BTE938)
2	2	6 432 654	Rondelle rattrapage jeu Ø144 Tighten up washer Ø144
3	10	7 005 010	Croskill High Speed Croskill High Speed
4	1	7 021 013	Arbre C30 10 roues Shaft C30 10 wheels
5	7	7 021 014	Entretoise rlx croskill Croskill roller spacer
6	4	7 021 543	Rondelle de palier (15mm) Bearing washer (15mm)
7	2	7 021 544	Entretoise rlx croskill Croskill roller spacer
8	2	VJ 213	Ecrou HK M 30x 200 - 8 - ZNBL , Ht:18 Nut HK M 30x 200 - 8 - ZNBL , Ht:18
9	2	VL 411	Goupille fendue V 5x60 Split pin V 5x60





Support de stationnement arrière cpl.

Rear parking support cpl.

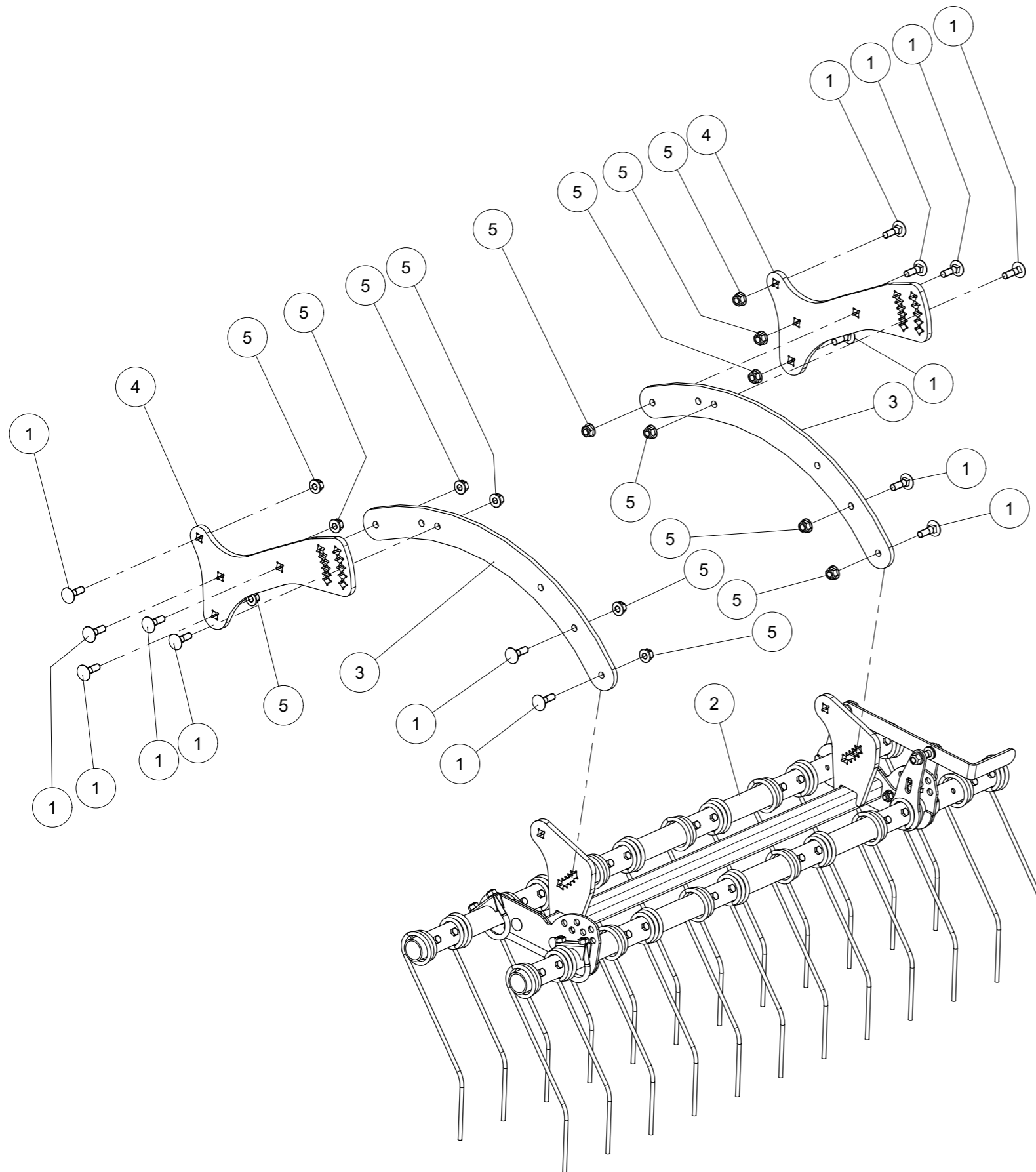


Index	Quantity	Reference	Designation
1	2	1 118 977 U	Plaque plastique - 6x44x100 Plastic plate - 6x44x100
2	1	1100.02.05	Boulon Bolt
3	1	11024D4A	Goupille Beta Spring plug Stock
4	1	126D26A	Rondelle 26 ISO7091 ZNBL Washer 26 ISO7091 ZNBL
5	6	126D33A	Rondelle 33 ISO7091 ZNBL Washer 33 ISO7091 ZNBL
6	1	1481D1370A	Goupille elastique 13 X 70 ISO8752 Z Spring Pin 13 X 70 ISO8752 Z
7	1	6258.21.01	Bôme soudé Welded boom
8	1	6258.21.06	Étai Strut
9	1	6258.21.09	Plaque Plate
10	1	6258.21.10	Poutre de support soudée Support beam welded
11	1	7212.05.00	Broche D20-90 Pin D20-90
12	4	7991D816PA	Vis FHc M 8x16 ISO10642-8.8 ZNBL Screw FHc M 8x16 ISO10642-8.8 ZNBL
13	1	8431.31.07	Support soudé Bracket welded
14	1	931D2490P	Vis H M24 x 90 Noire 8.8 Hex. Screw M24 x 90 Black 8.8
15	1	934D2415PA	Ecrou std H M24 - pas 150 Zingue Nut std H M24 - thread 150 Zingue
16	2	980DV10PA	Ecrou M10 ZNBL 8.8 Nut M10 Zinc 8.8
17	1	980DV20PA	Ecrou M20 ZNBL 8.8 Nut M20 Zinc 8.8
18	1	980DV24PA	Ecrou M24 ZNBL 8.8 Nut M24 Zinc 8.8
19	2	VI 28 05	Vis H M10x 35 - 8.8 ZNBL Screw H M10x 35 - 8.8 ZNBL
20	1	VI 33 06	Vis H M20x 70 - 8.8 ZNBL Screw H M20x 70 - 8.8 ZNBL



Herse L 2 Rh. Ø 7 Mont.

Harrow L 2 Rh. Ø 7 Mont.

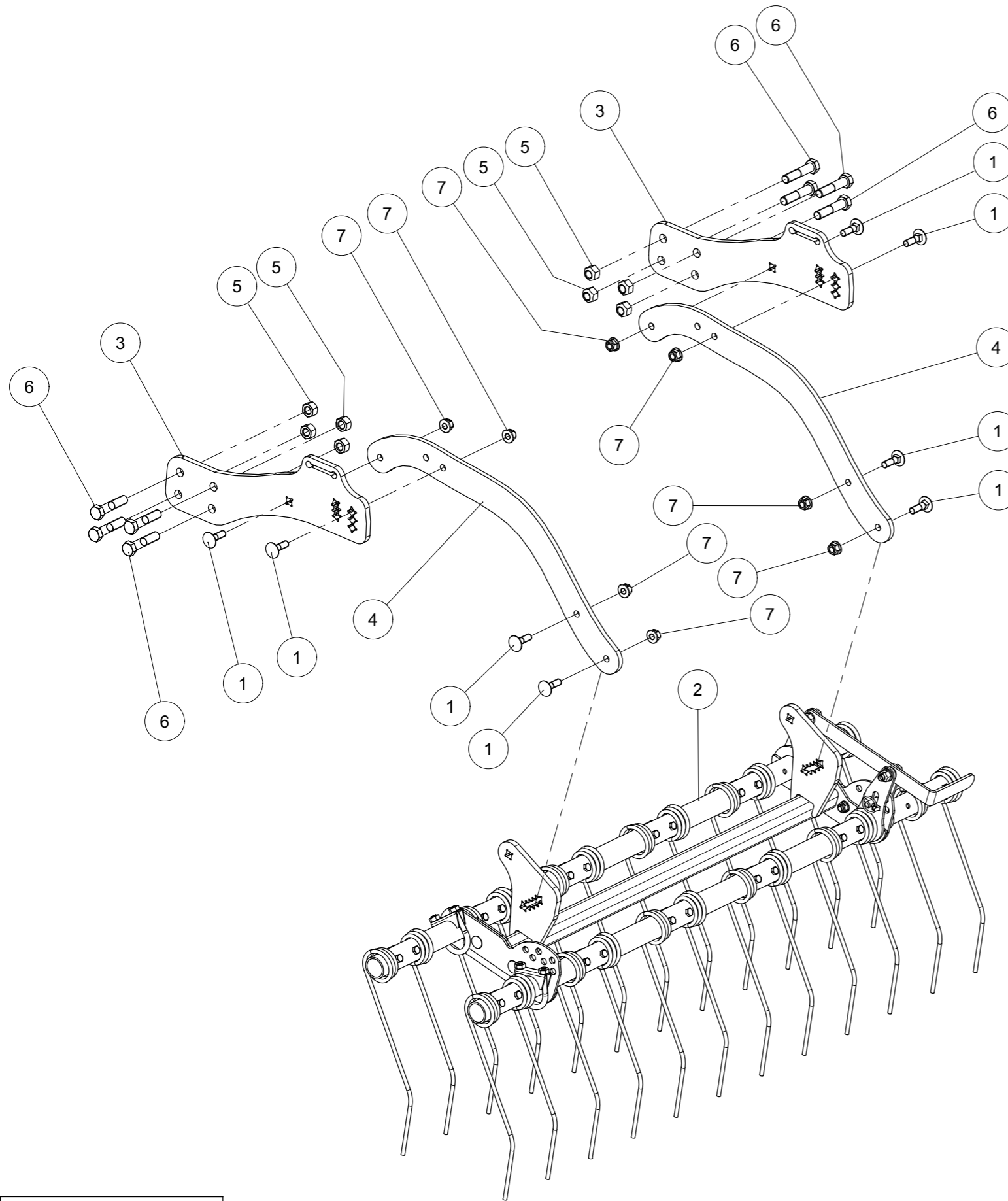


Index	Quantity	Reference	Designation
1	14	603D1240PA	Vis TRCC M12x40 ISO8677-8.8 ZNBL Round-head bolt M12x40 ISO8677-8.8 Z
2	1	6258.23.02	Herse Ø 7 pré-montée Harrow Ø 7 pre-assembled
3	2	6258.23.28	Guidon-L Handlebars-L
4	2	6258.23.41	Bras porteu-L Bearing arm-L
5	14	VJ 157	Ecrou HEFR M12 emb. S.Lock Cl.10 HEFR M12 Flg nut Gr.10 ZNBL



Herse 2-rangées cpl.

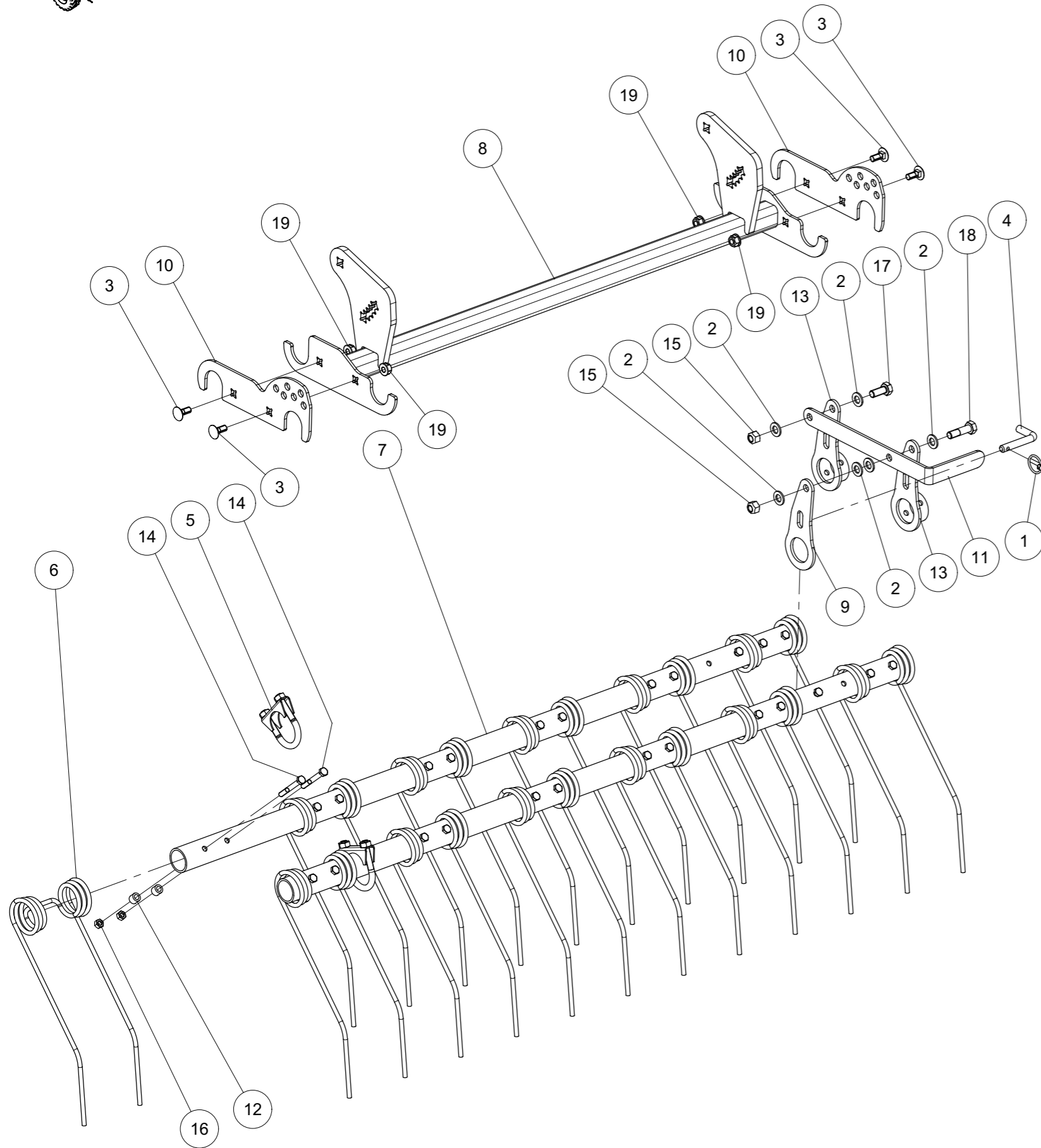
Harrow 2-rows cpl.



Index	Quantity	Reference	Designation
1	8	603D1240PA	Vis TRCC M12x40 ISO8677-8.8 ZNBL Round-head bolt M12x40 ISO8677-8.8 Z
2	1	6258.23.02	Herse \varnothing 7 pré-montée Harrow \varnothing 7 pre-assembled
3	2	6258.23.45	Bras Arm
4	2	6258.23.46	Guidon Handlebars
5	8	980DV16PA	Ecrou M16 ZNBL 8.8 Nut M16 Zinc 8.8
6	8	VI 31 32	Vis H M16x 75 - 8.8 ZNBL Screw H M16x 75 - 8.8 ZNBL
7	8	VJ 157	Ecrou HEFR M12 emb. S.Lock Cl.10 HEFR M12 Flg nut Gr.10 ZNBL



Herse Ø 7 pré-montée
Harrow Ø 7 pre-assembled

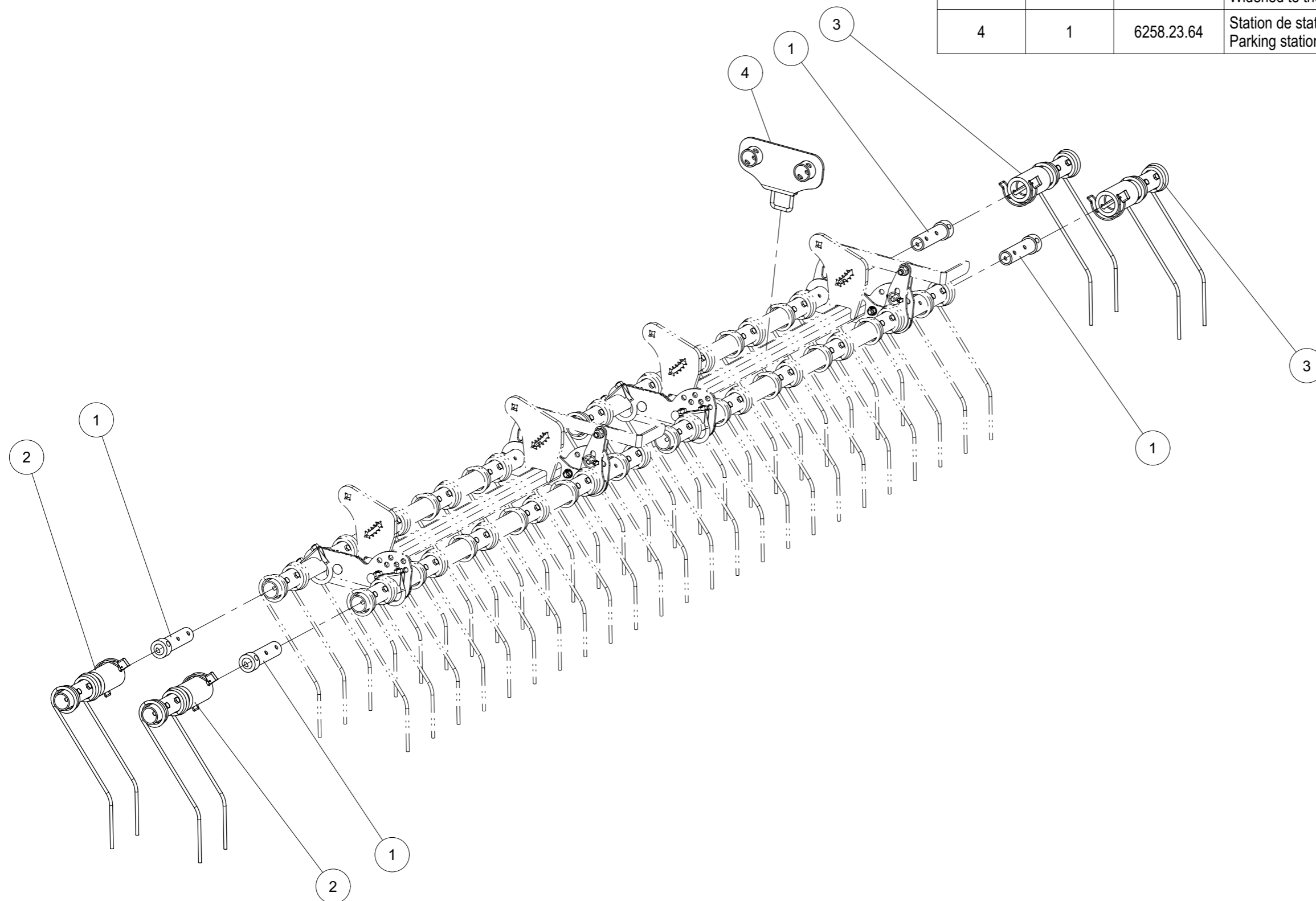


Index	Quantity	Reference	Designation
1	1	11023D532A	Goupille "Clips" Dia 5 Z Lynch pin Dia5
2	6	125DA13A	Rondelle A 13 ISO7089 ZNBL Washer A 13 ISO7089 Zinc.
3	4	603D1025PA	Vis TRCC M10x25 ISO8677-8.8 ZNBL Round-head bolt M10x25 ISO8677-8.8 Z
4	1	6241.29.02	Axe TB-12x50 Pin TB-12x50
5	2	6258.22.16	Collier de serrage Pipe clamp
6	12	6258.23.10	Dents de herse D7 Harrow tines
7	2	6258.23.20	Tube de herse Harrow tine support tube
8	1	6258.23.22	Cadre support soudé Welded supporting frame
9	1	6258.23.25	Rabat pivotant Swivel flap
10	2	6258.23.26	Plaque de retenue Retaining plate
11	1	6258.23.30	Levier de réglage Adjusting lever
12	24	6258.23.35	Bague de butée stopper
13	2	6258.23.36	Rabat pivotant soudé Swivel flap welded
14	26	931D865PA	Vis H M8 x 65 ZNBL 8.8 Hex. Screw M8 x 65 Zinc 8.8
15	2	980DV12PA	Ecrou M12 ZNBL 8.8 Nut M12 Zinc 8.8
16	26	980DV8PA	Ecrou M8 ZNBL 8.8 Nut M8 Zinc 8.8
17	1	VI 29 04	Vis H M12x 30 - 8.8 ZNBL Screw H M12x 30 - 8.8 ZNBL
18	1	VI 29 09	Vis H M12x 45 - 10.9 ZNBL, filet /20 mm Screw H M12x 45 - 10.9 ZNBL, thread /20 mm
19	4	VJ 141	Ecrou HEFR M10 emb. S.Lock Cl.10 HEFR M10 Flg nut Gr.10 ZNBL



Frontiér herse D7 cpl.
Tine harrow border D7 cpl.

Index	Quantity	Reference	Designation
1	4	6258.23.58	Adaptateur Adapter
2	2	6258.23.62	Élargi à gauche Widened to the left
3	2	6258.23.63	Élargi à droite Widened to the right
4	1	6258.23.64	Station de stationnement montée Parking station mounted

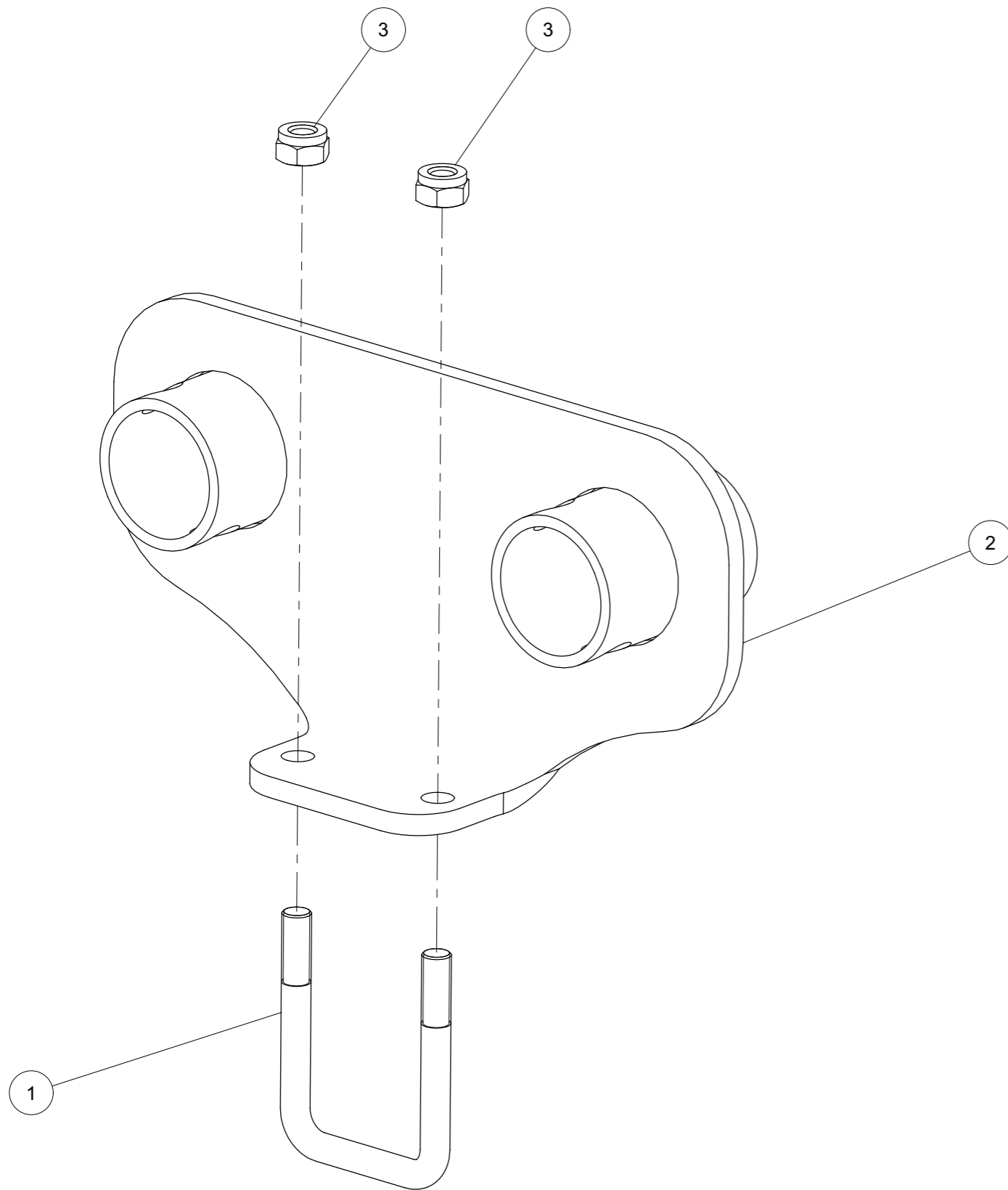


6258.23.75 (1/1)



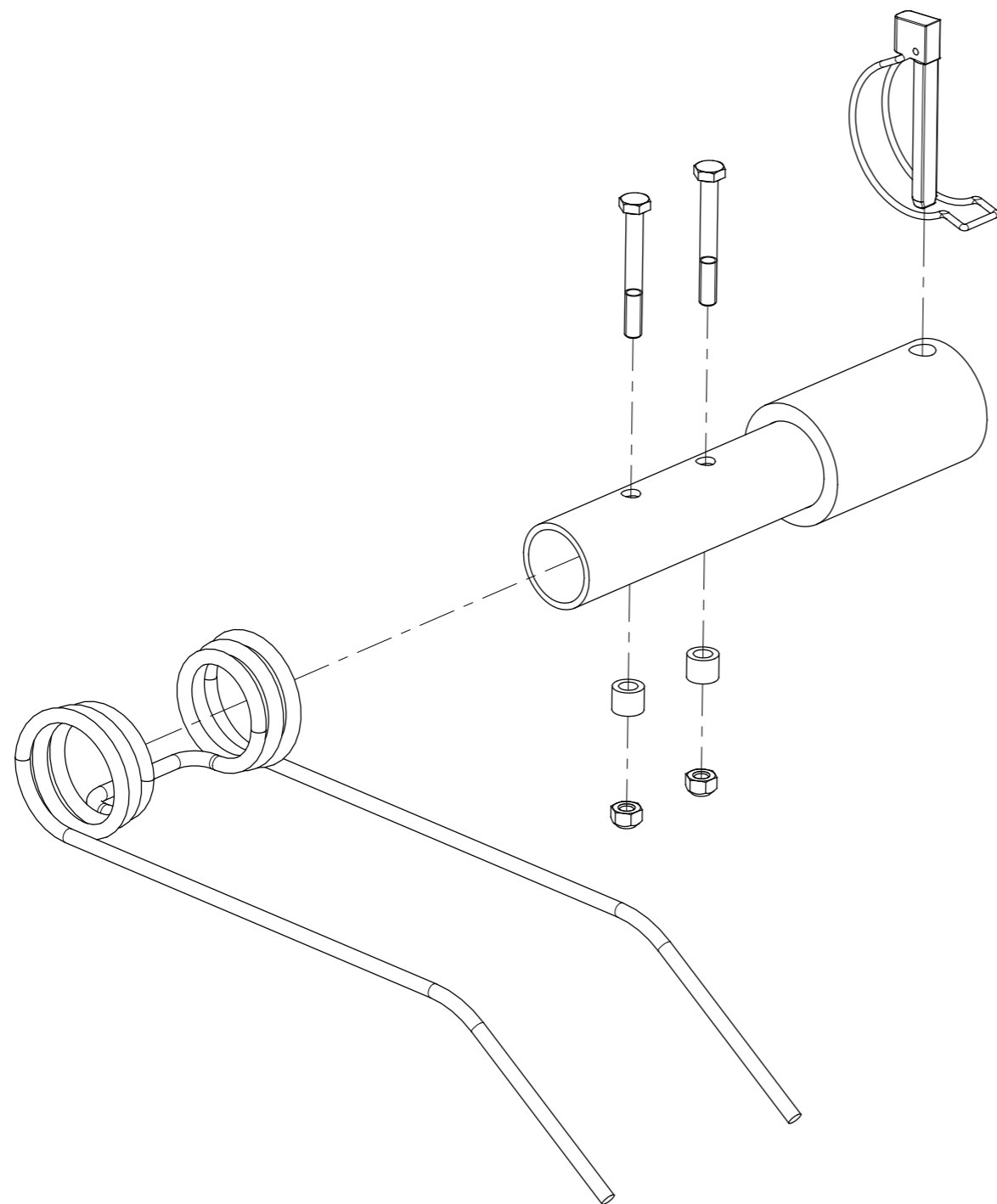
Station de stationnement montée
Parking station mounted

Index	Quantity	Reference	Designation
1	1	6103.11.28	Bride MC-8x50x65 Cross section MC-8x50x65
2	1	6258.23.65	Support soudé Welded carrier
3	2	985D8PA	Ecrou HFR M8 ISO10511-8 Z Nut HFR M8 ISO10511-8 Z





Élargi à gauche
Widened to the left

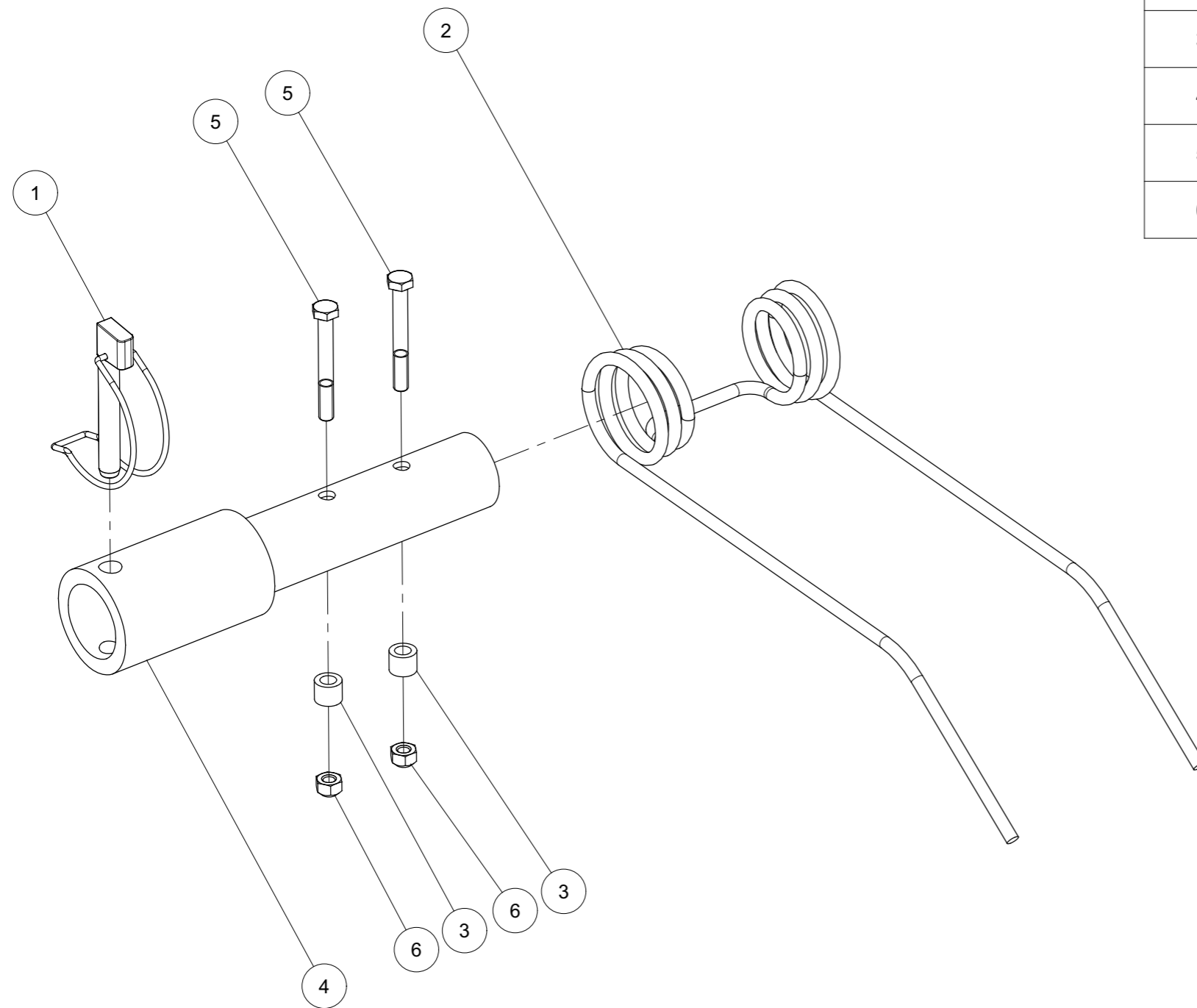


Index	Quantity	Reference	Designation
1	1	11023DR1275A	Goupille "Clips-Tube" - 11.5, Z Pipe lynch pin - 11.5 Z
2	1	6258.23.10	Dents de herse D7 Harrow tines
3	2	6258.23.35	Bague de butée stopper
4	1	6258.23.59	Élargissement soudé Widening welded
5	2	931D865PA	Vis H M8 x 65 ZNBL 8.8 Hex. Screw M8 x 65 Zinc 8.8
6	2	980DV8PA	Ecrou M8 ZNBL 8.8 Nut M8 Zinc 8.8



Élargi à droite
Widened to the right

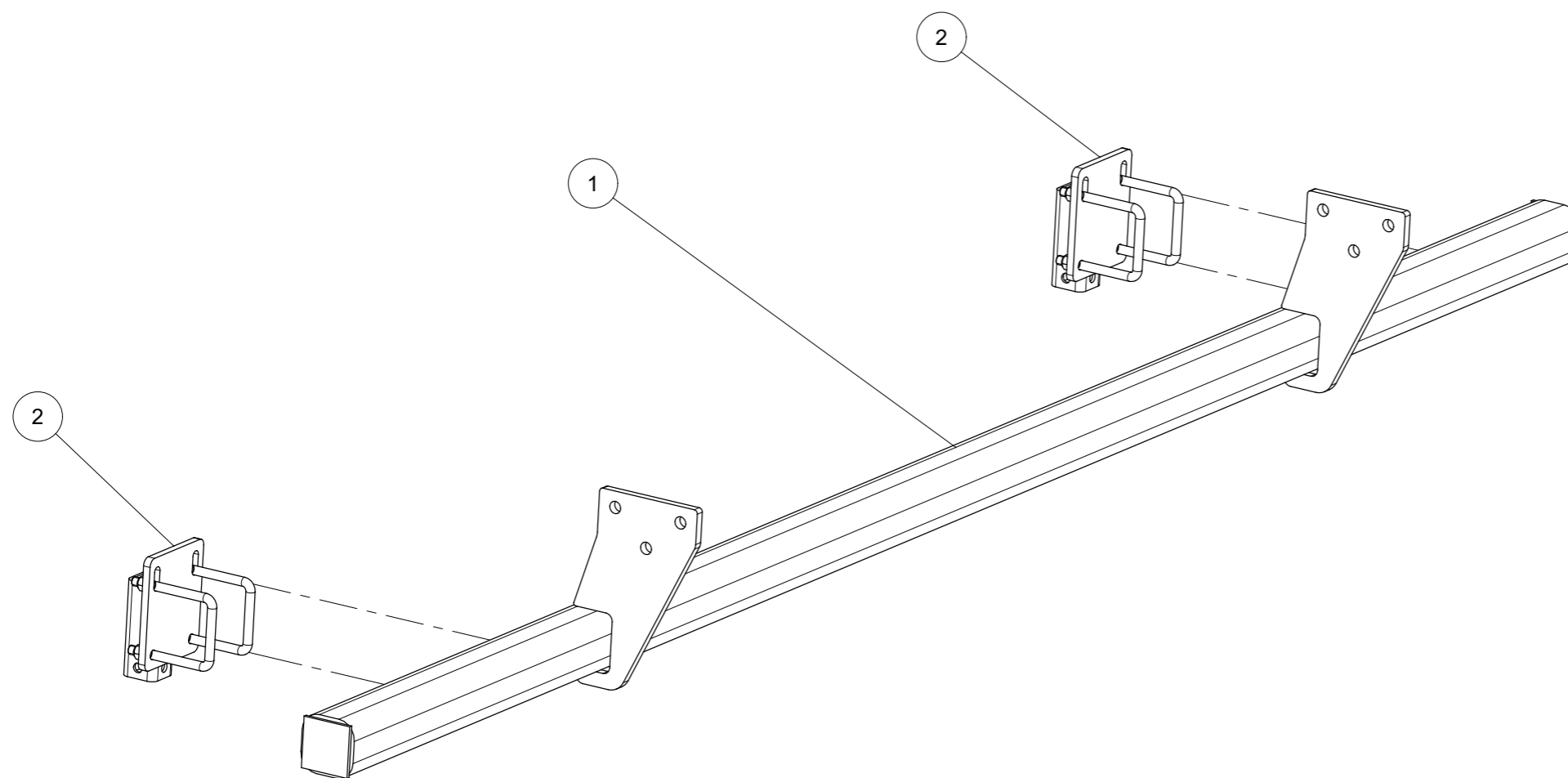
Index	Quantity	Reference	Designation
1	1	11023DR1275A	Goupille "Clips-Tube" - 11.5, Z Pipe lynch pin - 11.5 Z
2	1	6258.23.10	Dents de herse D7 Harrow tines
3	2	6258.23.35	Bague de butée stopper
4	1	6258.23.59	Élargissement soudé Widening welded
5	2	931D865PA	Vis H M8 x 65 ZNBL 8.8 Hex. Screw M8 x 65 Zinc 8.8
6	2	980DV8PA	Ecrou M8 ZNBL 8.8 Nut M8 Zinc 8.8





Efface traces titulaire monté
Track eradicator holder mounted

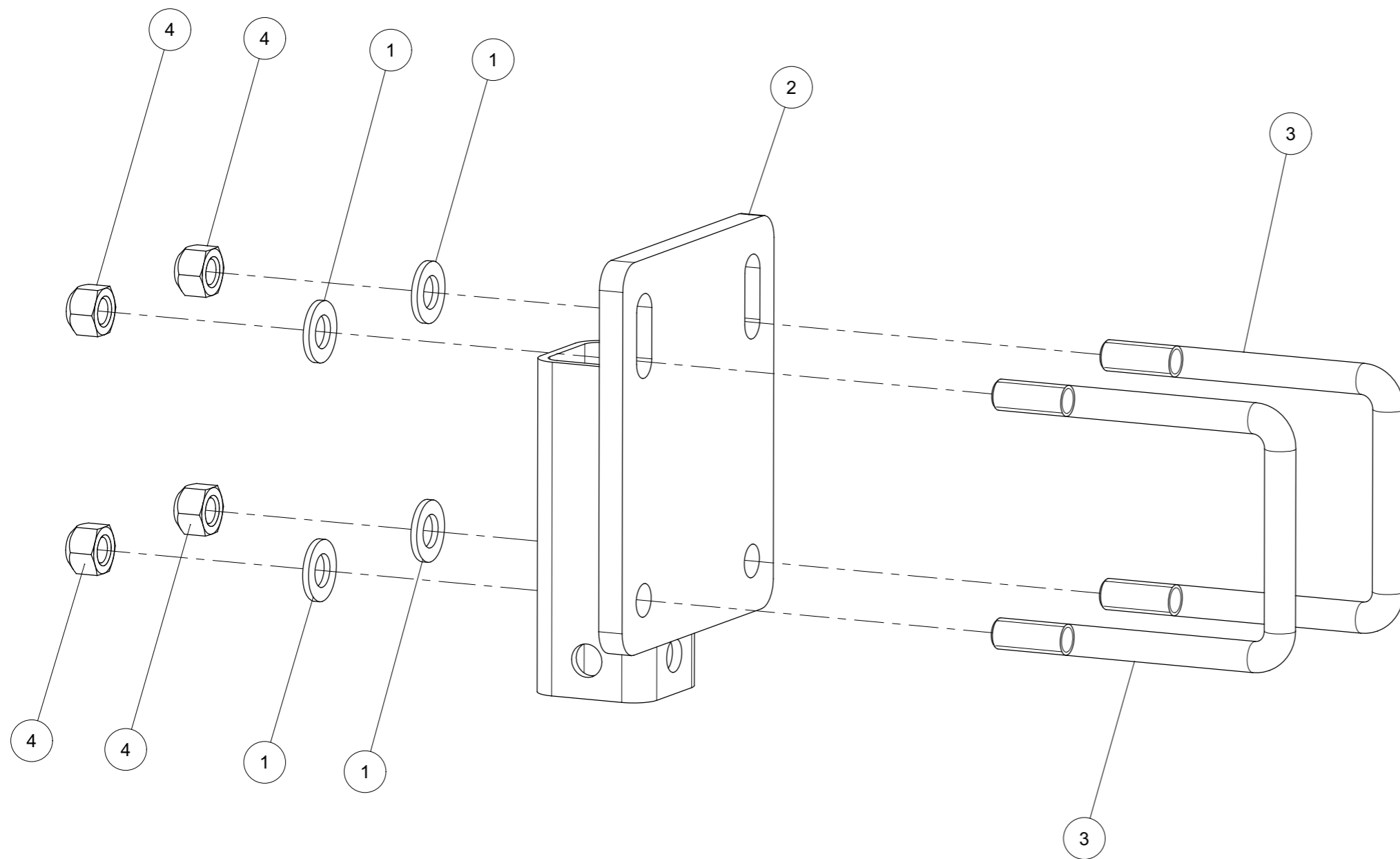
Index	Quantity	Reference	Designation
1	1	6258.05.12	Efface traces titulaire soudé Track eradicator holder welded
2	2	6258.05.19	Support monté Support holder mounted





Support monté
Support holder mounted

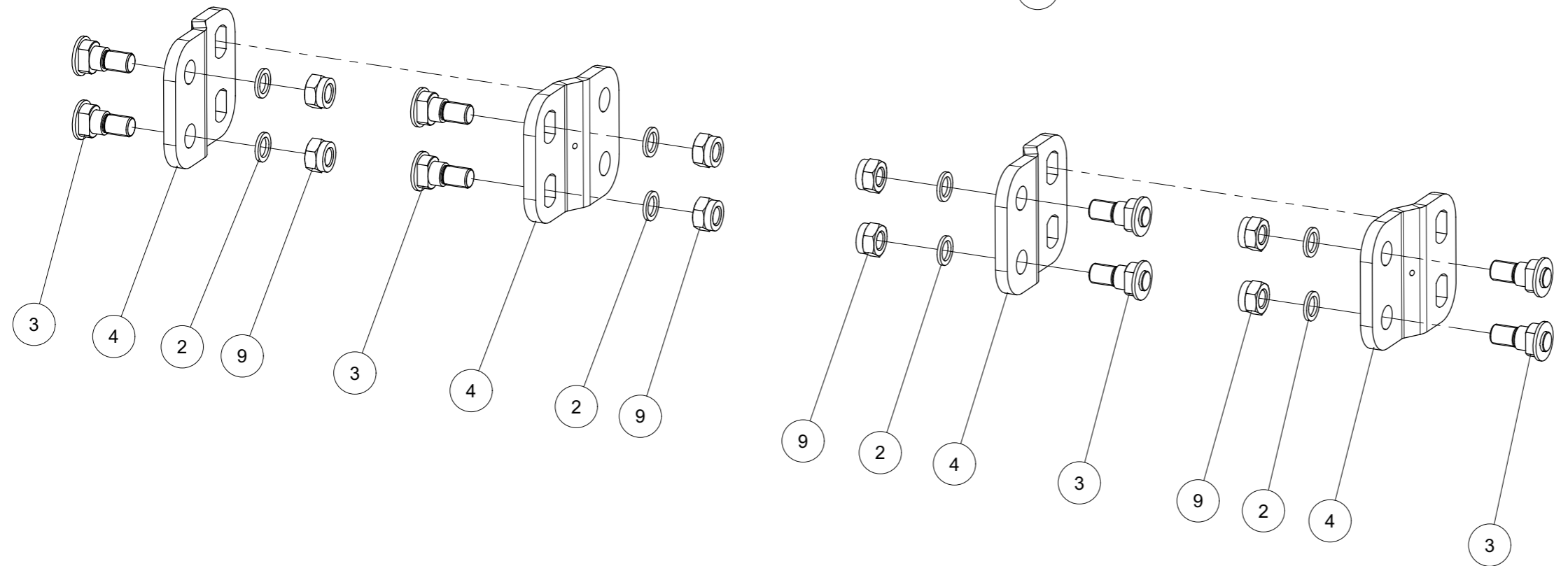
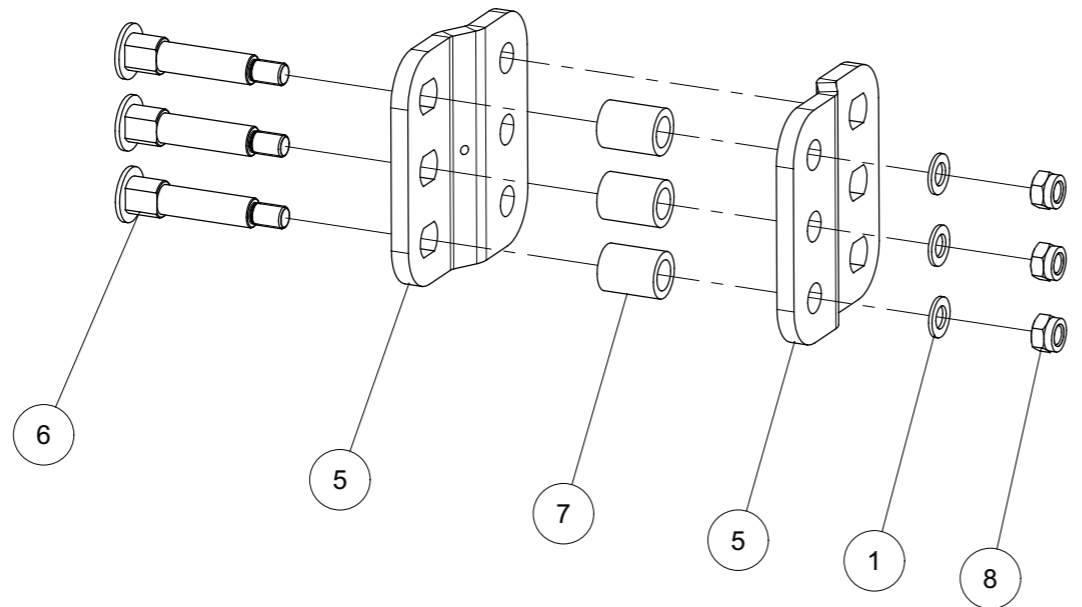
Index	Quantity	Reference	Designation
1	4	125DA13A	Rondelle A 13 ISO7089 ZNBL Washer A 13 ISO7089 Zinc.
2	1	6258.05.18	Support soudé Welded holder
3	2	8406.33.02	Bride MC-12x93x115 Z. Flange MC-12x93x115 Z.
4	4	980DV12PA	Ecrou M12 ZNBL 8.8 Nut M12 Zinc 8.8





Fixation monté cpl.
Attachment mounted cpl.

Index	Quantity	Reference	Designation
1	3	125DA25A	Rondelle A 25 ISO7089 Zinguée Washer A 25 ISO7089 Zinc.
2	8	1441D31A	Rondelle 31 DIN1441 Z Washer 31 DIN1441 Z
3	8	6258.90.01	Axe Bolt
4	4	6258.90.05	Bride liaison inférieure Flange lower link
5	2	6258.90.07	Bride de liaison supérieure Upper link flange
6	3	6258.90.16	Axe Bolt
7	3	6258.90.17	Douille Z. Sleeve Z.
8	3	985D2415PA	Ecrou HFR M24x1,5 ISO10511-8 Z Nut HFR M24x1,5 ISO10511-8 Z
9	8	985D302PA	Ecrou HFR M30x2,0 ISO10511-8 Z Nut HFR M30x2,0 ISO10511-8 Z

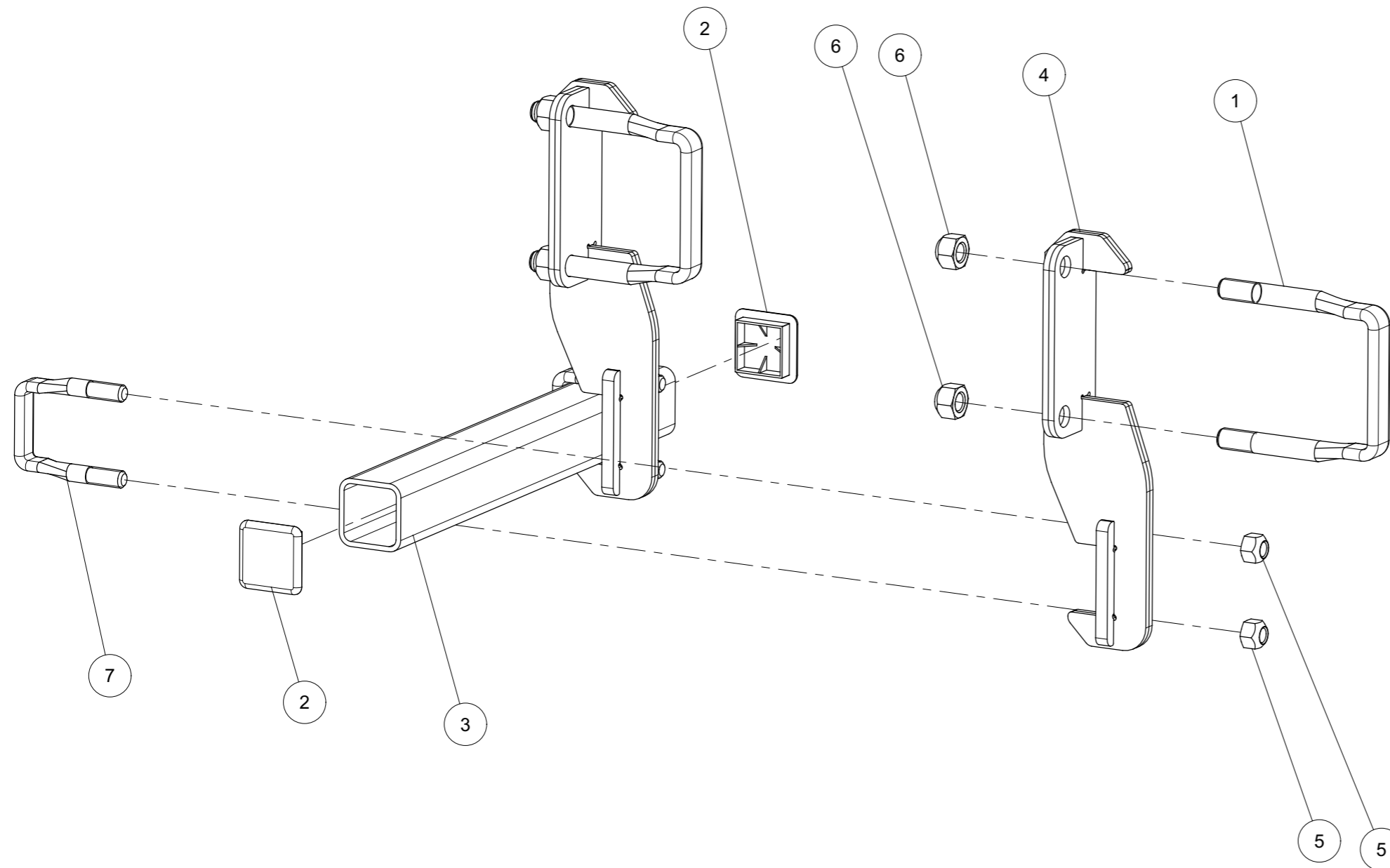




Efface traces titulaire 0,65m cpl.

Track eradicator holder 0,65m cpl.

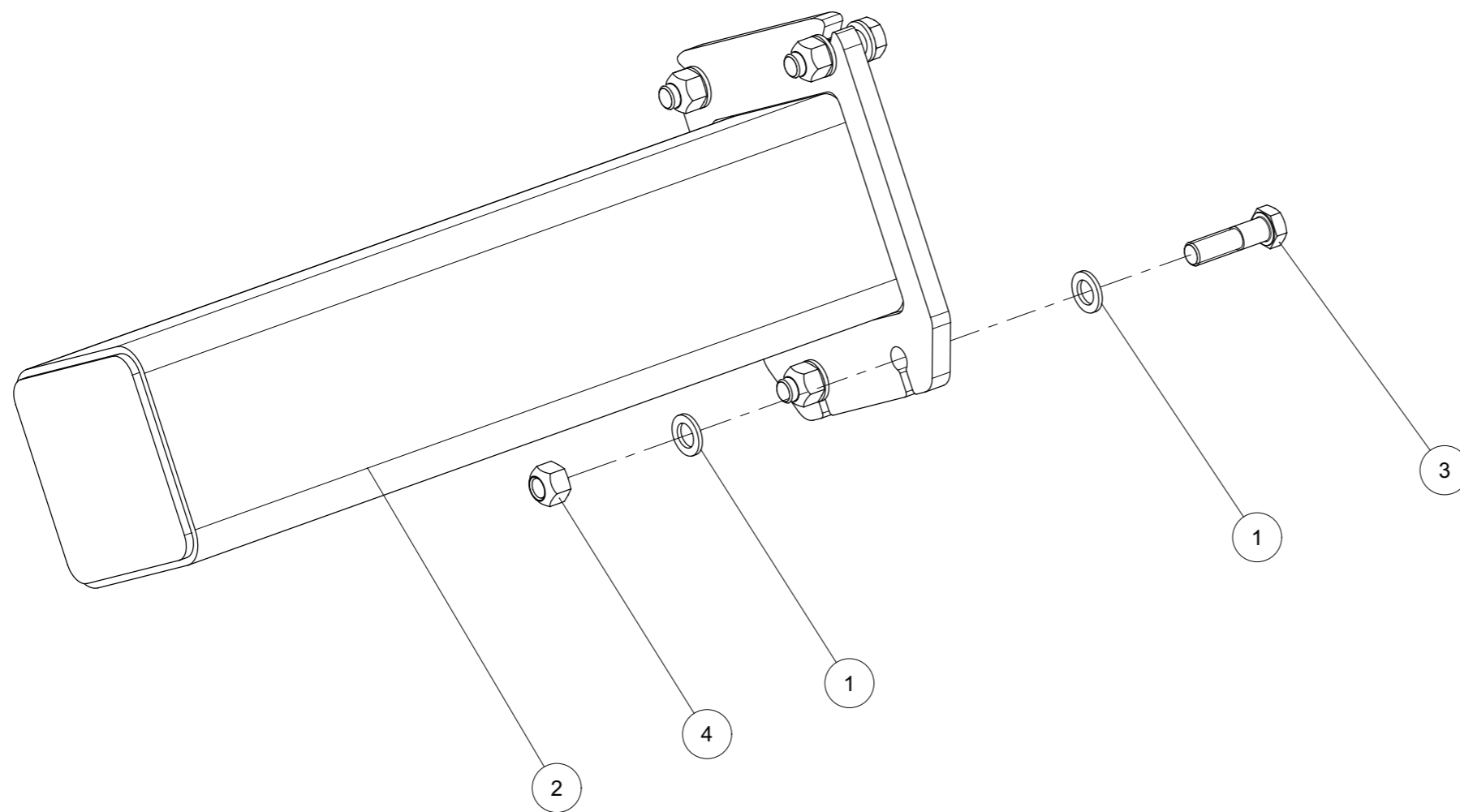
Index	Quantity	Reference	Designation
1	2	600 501 402	Bride 150x150 Flange 150x150
2	2	6258.05.51	Bouchon en plastique 80x80x4-7 Plug 80x80x4-7
3	1	6258.05.52	Pipe VK80806X650W Tube VK80806X650W
4	2	6258.15.10	Bras de support soudé Support arm welded
5	4	980DV20PA	Ecrou M20 ZNBL 8.8 Nut M20 Zinc 8.8
6	4	980DV24PA	Ecrou M24 ZNBL 8.8 Nut M24 Zinc 8.8
7	2	M 631 182	Etrier M20 [80 aplati 10.9 Flange M20 [80 flattened 10.9





Approach cadré 4501 série 1
Frame approach 4501 series 1

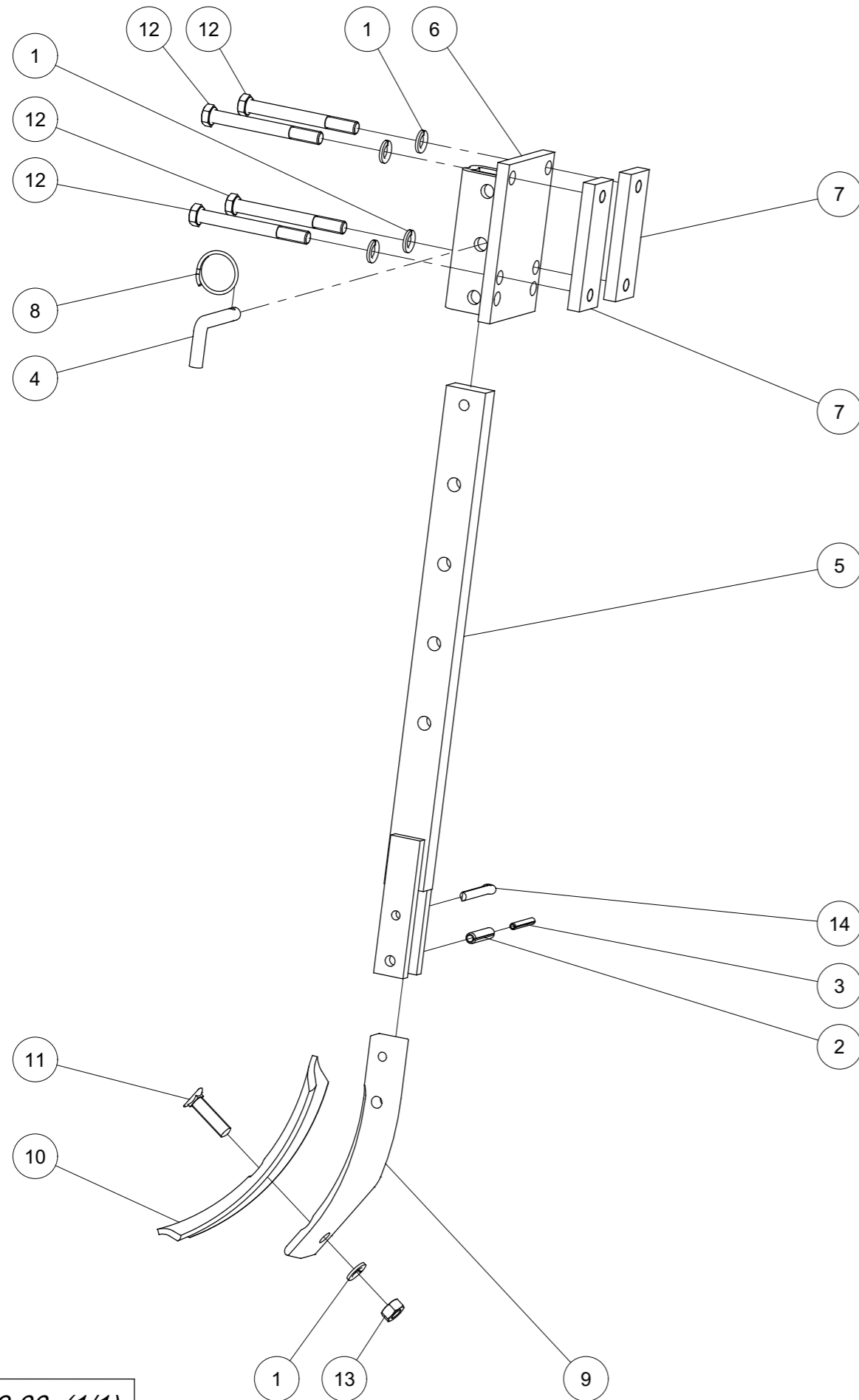
Index	Quantity	Reference	Designation
1	8	1441D17A	Rondelle 17 DIN1441 Z Washer 17 DIN1441 Z
2	1	6258.01.81	Cadre latéral Side frame
3	4	931D1660PA	Vis H M16 x 60 ZNBL 8.8 Hex. Screw M16 x 60 Zinc 8.8
4	4	980DV16PA	Ecrou M16 ZNBL 8.8 Nut M16 Zinc 8.8





Effaceur de trce 80 tuyaux cpl.

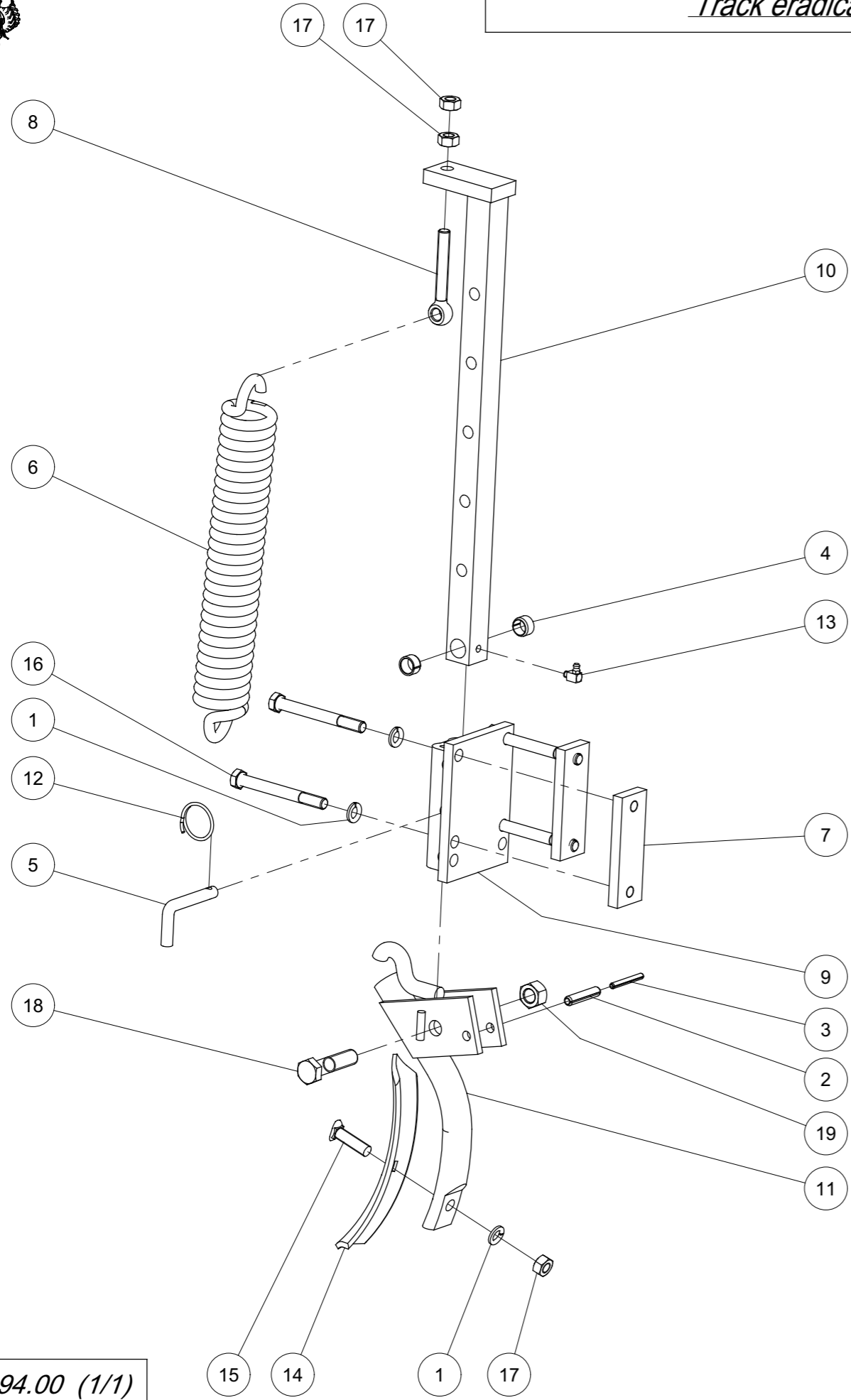
Track eradicator 80 pipe cpl.



Index	Quantity	Reference	Designation
1	5	127DA12A	Rondelle élastique A 12 DIN127 Z Springwasher A 12 DIN127 Z
2	1	1481D1045	Goupille élastique 10 X 45 ISO8752 Spring Pin 10 X 45 ISO8752
3	1	1481D645A	Goupille élastique 6 X 45 ISO8752 Z Spring Pin 6 X 45 ISO8752 Z
4	1	6241.29.02	Axe TB-12x50 Pin TB-12x50
5	1	6241.31.00	Tige Stalk
6	1	6241.39.00	Support Bracket
7	2	6241.94.02	Plat de fixation M 12-93 Latch M 12-93
8	1	6608.12.07	Circlip Circlip
9	1	8007.24.04	Support de soc Tine
10	1	8007.30.01	Soc GG-5 Share GG-5
11	1	8007.30.02	Vis tête noyée 12x48 - 8.8 C sunk screw 12x48 - 8.8
12	4	931D12110PA	Vis H M12 x 110 ZNBL 8.8 Hex. Screw M12 x 110 Zinc 8.8
13	1	934D12PA	Ecrou std H M12 - pas 175 Zingue Nut std H M12 - thread 175 Zingue
14	1	94D850	Goupille fendue 8x 50 ISO1234 Splint pin 8x 50 ISO1234

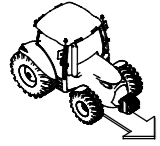


Effaceur de trace à ressort 80 tuyaux cpl.
Track eradicator spring-suspended 80 pipe cpl.

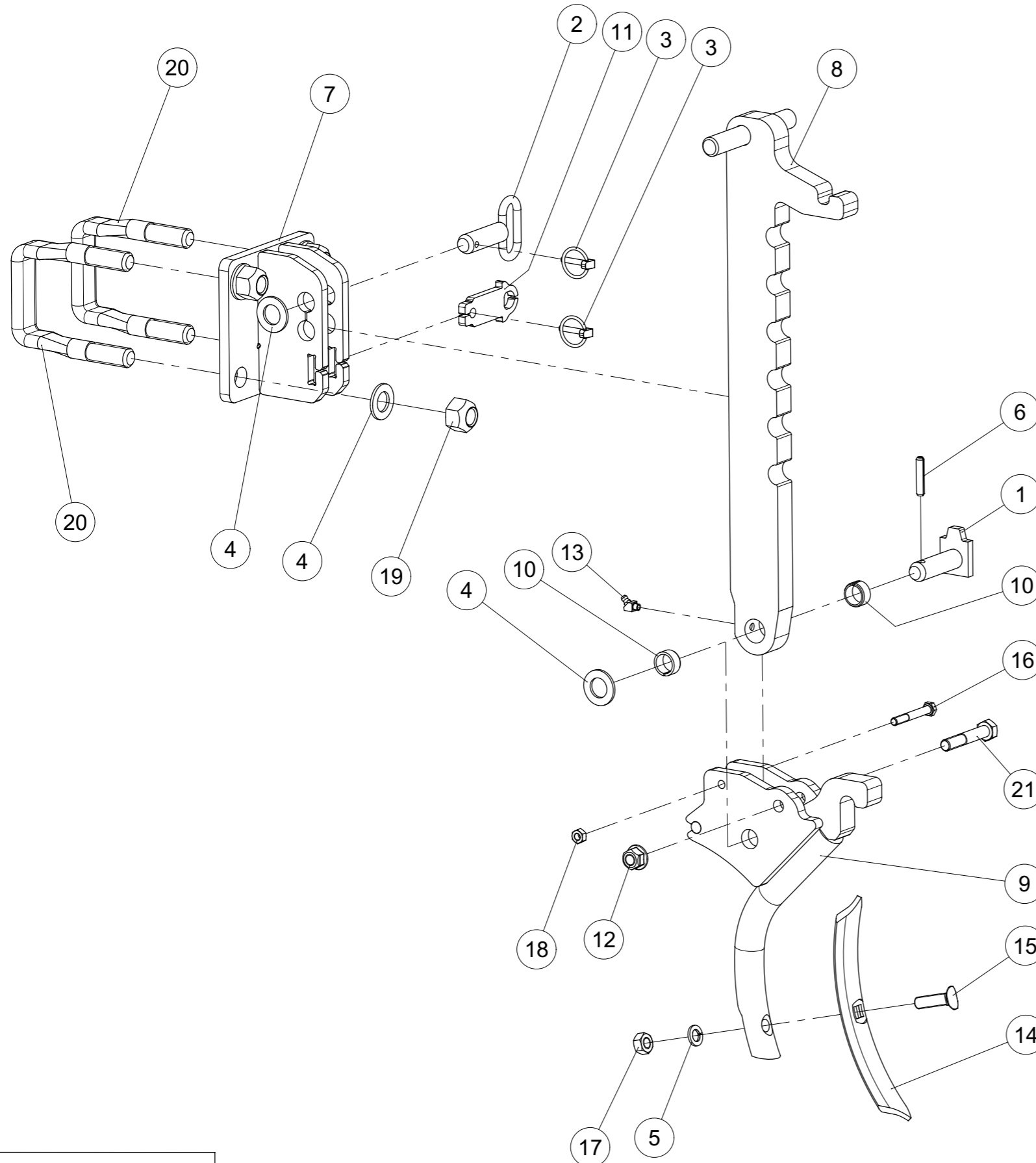


Index	Quantity	Reference	Designation
1	5	127DA12A	Rondelle élastique A 12 DIN127 Z Springwasher A 12 DIN127 Z
2	1	1481D1050	Goupille elastique 10 X 50 ISO8752 Spring Pin 10 X 50 ISO8752
3	1	1481D650	Goupille elastique 6 X 50 ISO8752 Spring Pin 6 X 50 ISO8752
4	2	1498D162012	Douille EG 16/20x12 DIN1498 Bush EG 16/20x12 DIN1498
5	1	6241.29.02	Axe TB-12x50 Pin TB-12x50
6	1	6241.94.01	Ressort de tension CF-287 Tension spring CF-287
7	2	6241.94.02	Plat de fixation M 12-93 Latch M 12-93
8	1	6241.94.04	Vis oeil M12x90 Zingue Screw eye M12x90 zinc
9	1	6241.95.00	Console Clamp plate
10	1	6241.96.00	Tige Stalk
11	1	6241.97.00	Dent Tine
12	1	6608.12.07	Circlip Circlip
13	1	71412DCS81	Graisneur H3a-M 8x1 -90 Grease Nipple H3a-M 8x1 -90
14	1	8007.30.01	Soc GG-5 Share GG-5
15	1	8007.30.02	Vis tête noyée 12x48 - 8.8 C sunk screw 12x48 - 8.8
16	4	931D12110PA	Vis H M12 x 110 ZNBL 8.8 Hex. Screw M12 x 110 Zinc 8.8
17	3	934D12PA	Ecrou std H M12 - pas 175 Zingue Nut std H M12 - thread 175 Zingue
18	1	960D161565M	Vis hex. M16x1.5x65 noire 12.9 Hex. Screw M16x1.5x65 Black 12.9
19	1	980DV1615PA	Ecrou M16x1.5 ZNBL 8.8 Nut M16x1.5 Zinc 8.8

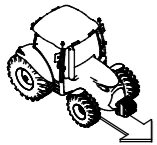
6241.94.00 (1/1)



Efface traces GG-5 cpl.
Track eradicator GG-5 cpl.

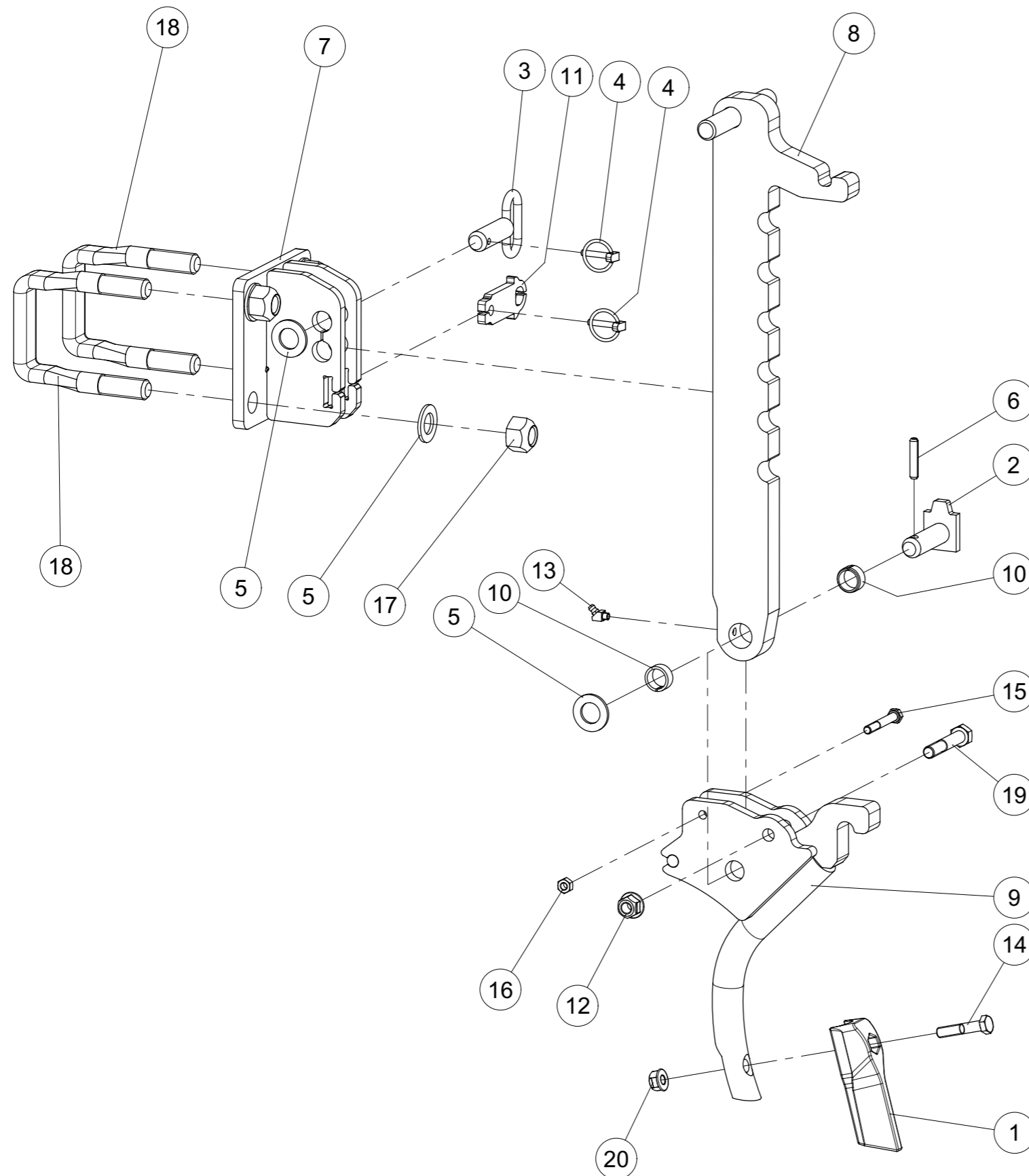


Index	Quantite	Reference	Designation
1	1	1000.20.15	Axe D 20x58 Z Pin D 20x58 Z
2	1	1000.20.30	Axe D20x55 Z Pin D20x55 Z
3	2	11023D532A	Goupille "Clips" Dia 5 Z Lynch pin Dia5
4	6	125DA21A	Rondelle A 21 ISO7089 ZNBL Washer A 21 ISO7089 Zinc.
5	1	127DA12A	Rondelle élastique A 12 DIN127 Z Springwascher A 12 DIN127 Z
6	1	1481D840A	Goupille elastique 8 X 40 ISO8752 Z Spring Pin 8 X 40 ISO8752 Z
7	1	6258.31.20	support de montant d'efface-trace Leg support for track eraser
8	1	6258.31.26	Montant d'efface-trace Leg for track eraser
9	1	6258.31.45	Soc titulaire GG-5 Share holder GG-5
10	2	6258.31.94	Bague ø25/20x12 Bush ø25/20x12
11	1	6258.31.96	Loquet Latsch
12	1	6927DV12NA	Ecrou HEFR M12 emb. S.Lock Cl.10 HEFR M12 Flg nut Gr.10 ZNBL
13	1	71412DBS81	Graisseur H2a-M 8x1 -45 Grease Nipple H2a-M 8x1 -45
14	1	8007.30.01	Soc GG-5 Share GG-5
15	1	8007.30.02	Vis tête noyée 12x48 - 8.8 C sunk screw 12x48 - 8.8
16	1	931D860NA	Vis H M8 x 60 ZNBL 10.9 Hex. Screw M8 x 60 Zinc 10.9
17	1	934D12PA	Ecrou std H M12 - pas 175 Zingue Nut std H M12 - thread 175 Zingue
18	1	934D8PA	Ecrou std H M8 - pas 125 Zingue Nut std H M8 - thread 125 Zingue
19	4	980DV20NA	Ecrou M20 ZNBL 10.9 Nut M20 Zinc 10.9
20	2	M 631 182	Etrier M20 □ 80 aplati 10.9 Flange M20 □ 80 flattened 10.9
21	1	VI 29 16	Vis H M12x 70 - 8.8 ZNBL Screw H M12x 70 - 8.8 ZNBL

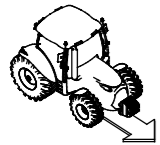


Efface traces GS-035 cpl.

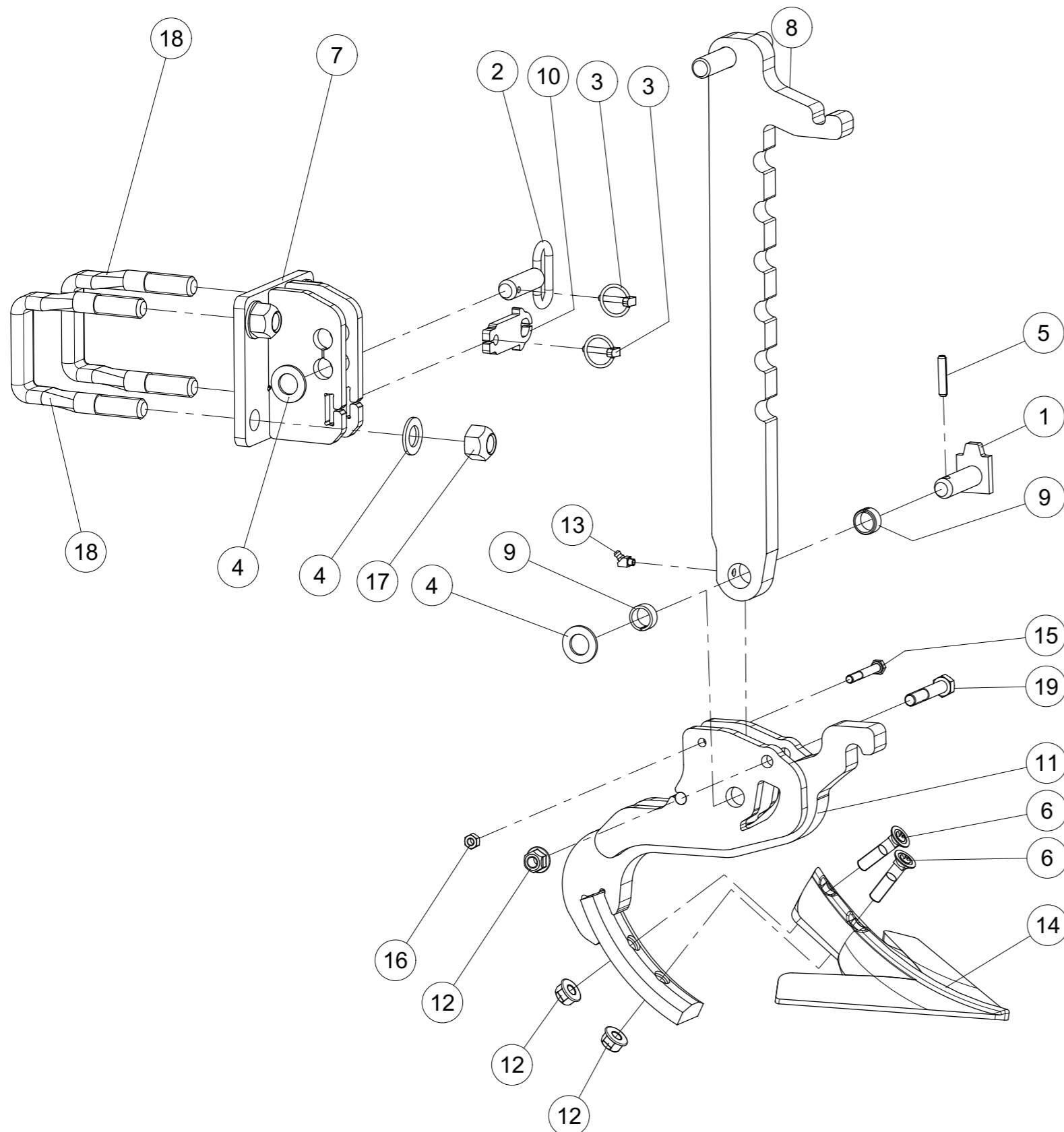
Track eradicator GS-035 cpl.



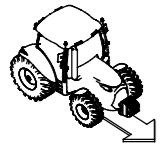
Index	Quantite	Reference	Designation
1	1	7 C 00320	Soc moulé court Share lace short
2	1	1000.20.15	Axe D 20x58 Z Pin D 20x58 Z
3	1	1000.20.30	Axe D20x55 Z Pin D20x55 Z
4	2	11023D532A	Goupille "Clips" Dia 5 Z Lynch pin Dia5
5	6	125DA21A	Rondelle A 21 ISO7089 ZNBL Washer A 21 ISO7089 Zinc.
6	1	1481D840A	Goupille elastique 8 X 40 ISO8752 Z Spring Pin 8 X 40 ISO8752 Z
7	1	6258.31.20	support de montant d'efface-trace Leg support for track eraser
8	1	6258.31.26	Montant d'efface-trace Leg for track eraser
9	1	6258.31.45	Soc titulaire GG-5 Share holder GG-5
10	2	6258.31.94	Bague ø25/20x12 Bush ø25/20x12
11	1	6258.31.96	Loquet Latsch
12	1	6927DV12NA	Ecrou HEFR M12 emb. S.Lock Cl.10 HEFR M12 Flg nut Gr.10 ZNBL
13	1	71412DBS81	Graisseur H2a-M 8x1 -45 Grease Nipple H2a-M 8x1 -45
14	1	931D1050N	Vis H M10 x 50 Noire 10.9 Hex. Screw M10 x 50 Black 10.9
15	1	931D860NA	Vis H M8 x 60 ZNBL 10.9 Hex. Screw M8 x 60 Zinc 10.9
16	1	934D8PA	Ecrou std H M8 - pas 125 Zingue Nut std H M8 - thread 125 Zingue
17	4	980DV20NA	Ecrou M20 ZNBL 10.9 Nut M20 Zinc 10.9
18	2	M 631 182	Etrier M20 □ 80 aplati 10.9 Flange M20 □ 80 flattened 10.9
19	1	VI 29 16	Vis H M12x 70 - 8.8 ZNBL Screw H M12x 70 - 8.8 ZNBL
20	1	VJ 141	Ecrou HEFR M10 emb. S.Lock Cl.10 HEFR M10 Flg nut Gr.10 ZNBL



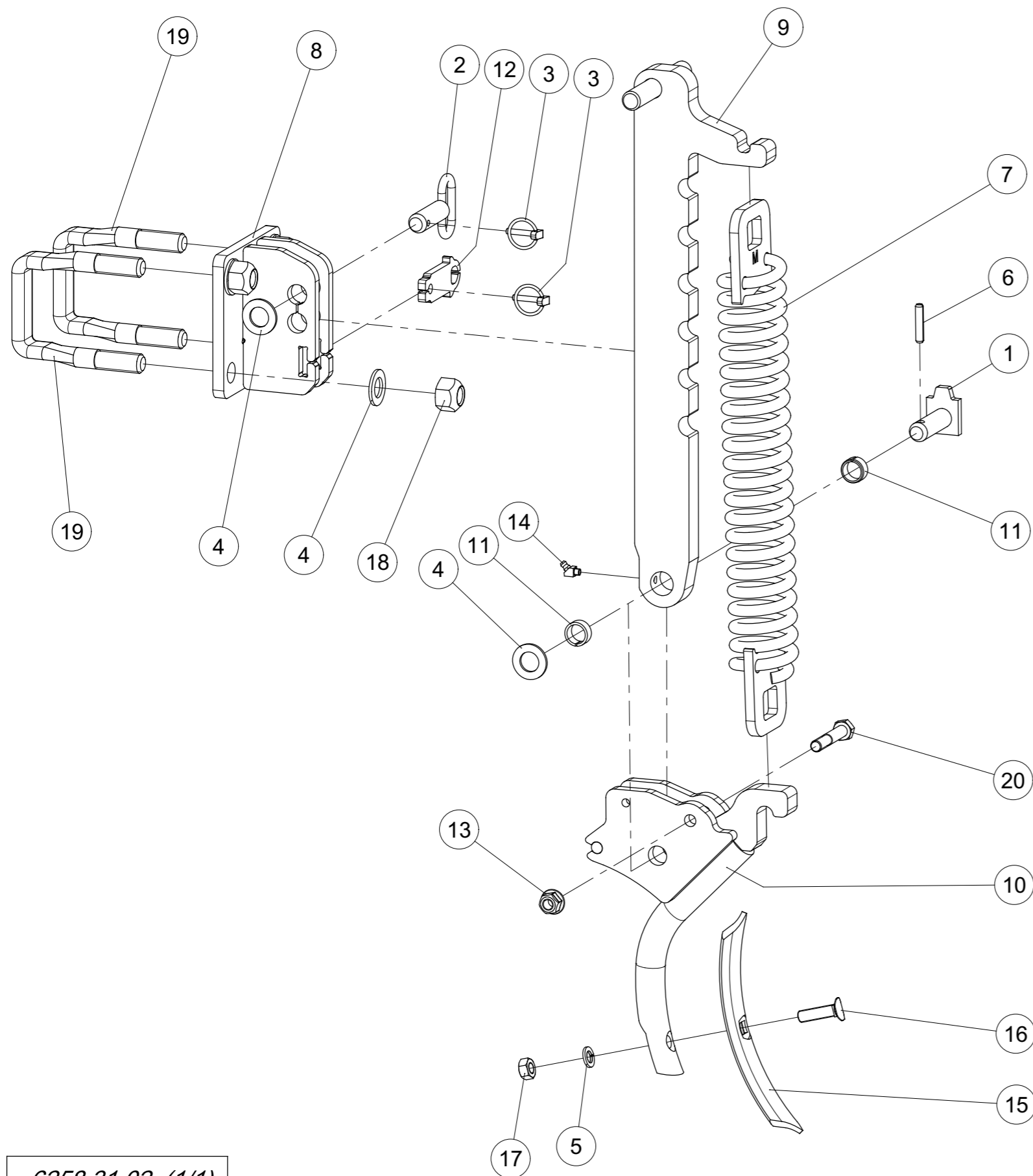
Efface traces GG-011 cpl.
Track eradicator GG-011 cpl.



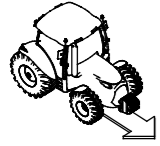
Index	Quantite	Reference	Designation
1	1	1000.20.15	Axe D 20x58 Z Pin D 20x58 Z
2	1	1000.20.30	Axe D20x55 Z Pin D20x55 Z
3	2	11023D532A	Goupille "Clips" Dia 5 Z Lynch pin Dia5
4	6	125DA21A	Rondelle A 21 ISO7089 ZNBL Washer A 21 ISO7089 Zinc.
5	1	1481D840A	Goupille elastique 8 X 40 ISO8752 Z Spring Pin 8 X 40 ISO8752 Z
6	2	2700.26.10	Vis a tête fraisée M 12 X 55-10.9 C sunk screw M 12 X 55-10.9
7	1	6258.31.20	support de montant d'efface-trace Leg support for track eraser
8	1	6258.31.26	Montant d'efface-trace Leg for track eraser
9	2	6258.31.94	Bague ø25/20x12 Bush ø25/20x12
10	1	6258.31.96	Loquet Latsch
11	1	6258.32.35	Soc titulaire GG-O11 Share holder GG-O11
12	3	6927DV12NA	Ecrou HEFR M12 emb. S.Lock Cl.10 HEFR M12 Flg nut Gr.10 ZNBL
13	1	71412DBS81	Graisseur H2a-M 8x1 -45 Grease Nipple H2a-M 8x1 -45
14	1	8426.33.01	Pattes d'oise GG-O11 Crow's feet GG-O11
15	1	931D860NA	Vis H M8 x 60 ZNBL 10.9 Hex. Screw M8 x 60 Zinc 10.9
16	1	934D8PA	Ecrou std H M8 - pas 125 Zingue Nut std H M8 - thread 125 Zingue
17	4	980DV20NA	Ecrou M20 ZNBL 10.9 Nut M20 Zinc 10.9
18	2	M 631 182	Etrier M20 □ 80 aplati 10.9 Flange M20 □ 80 flattened 10.9
19	1	VI 29 16	Vis H M12x 70 - 8.8 ZNBL Screw H M12x 70 - 8.8 ZNBL



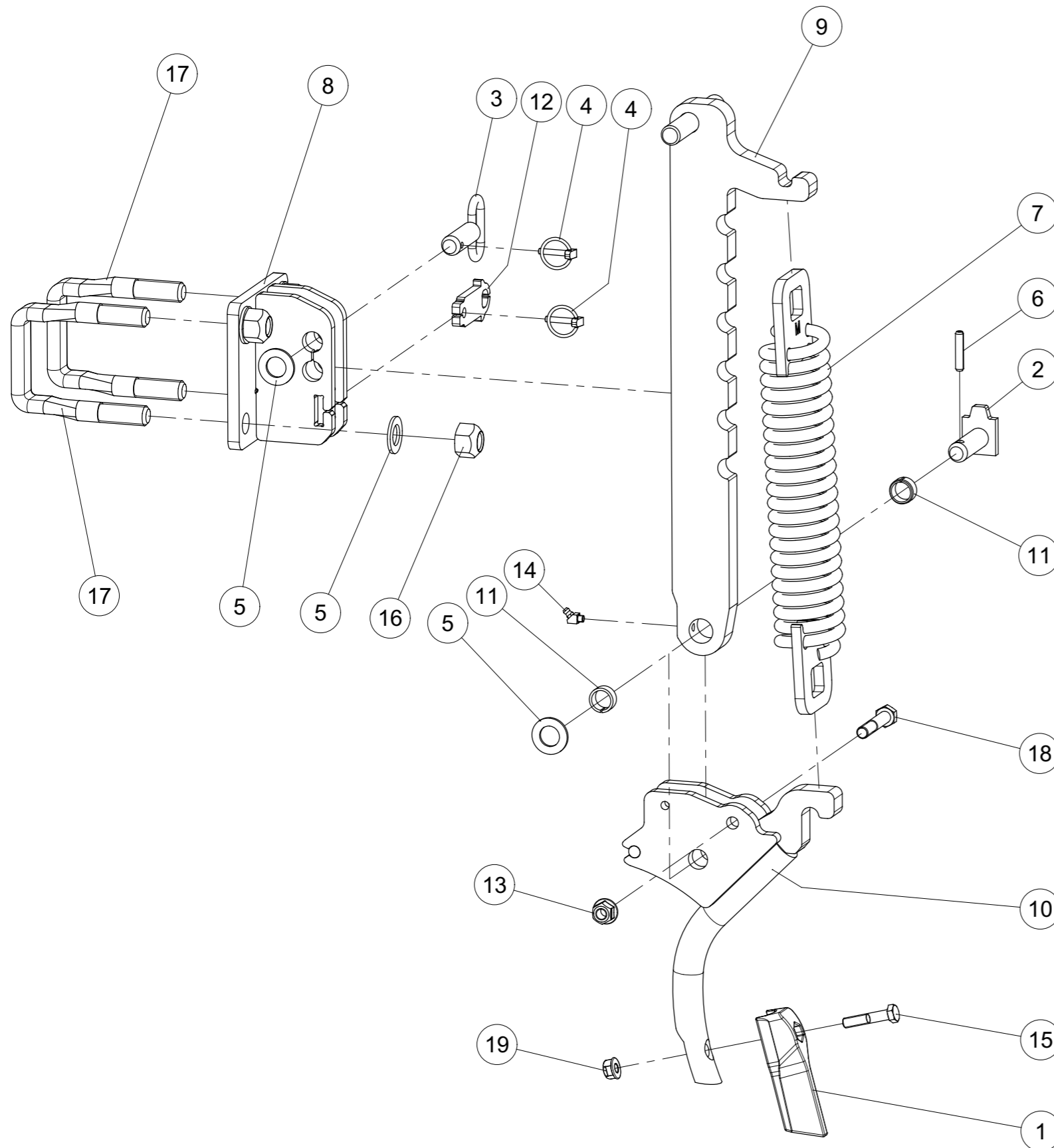
Efface traces á ressort GG-5 cpl.
Track eradicator spring mounted GG-5 cpl.



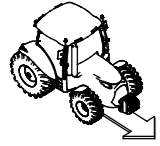
Index	Quantite	Reference	Designation
1	1	1000.20.15	Axe D 20x58 Z Pin D 20x58 Z
2	1	1000.20.30	Axe D20x55 Z Pin D20x55 Z
3	2	11023D532A	Goupille "Clips" Dia 5 Z Lynch pin Dia5
4	6	125DA21A	Rondelle A 21 ISO7089 ZNBL Washer A 21 ISO7089 Zinc.
5	1	127DA12A	Rondelle élastique A 12 DIN127 Z Springwascher A 12 DIN127 Z
6	1	1481D840A	Goupille elastique 8 X 40 ISO8752 Z Spring Pin 8 X 40 ISO8752 Z
7	1	6258.31.16	Ressort de tension Tension spring
8	1	6258.31.20	support de montant d'efface-trace Leg support for track eraser
9	1	6258.31.26	Montant d'efface-trace Leg for track eraser
10	1	6258.31.45	Soc titulaire GG-5 Share holder GG-5
11	2	6258.31.94	Bague ø25/20x12 Bush ø25/20x12
12	1	6258.31.96	Loquet Latsch
13	1	6927DV12NA	Ecrou HEFR M12 emb. S.Lock Cl.10 HEFR M12 Flg nut Gr.10 ZNBL
14	1	71412DBS81	Graisseur H2a-M 8x1 -45 Grease Nipple H2a-M 8x1 -45
15	1	8007.30.01	Soc GG-5 Share GG-5
16	1	8007.30.02	Vis tête noyée 12x48 - 8.8 C sunk screw 12x48 - 8.8
17	1	934D12PA	Ecrou std H M12 - pas 175 Zingue Nut std H M12 - thread 175 Zingue
18	4	980DV20NA	Ecrou M20 ZNBL 10.9 Nut M20 Zinc 10.9
19	2	M 631 182	Etrier M20 □ 80 aplati 10.9 Flange M20 □ 80 flattened 10.9
20	1	VI 29 16	Vis H M12x 70 - 8.8 ZNBL Screw H M12x 70 - 8.8 ZNBL



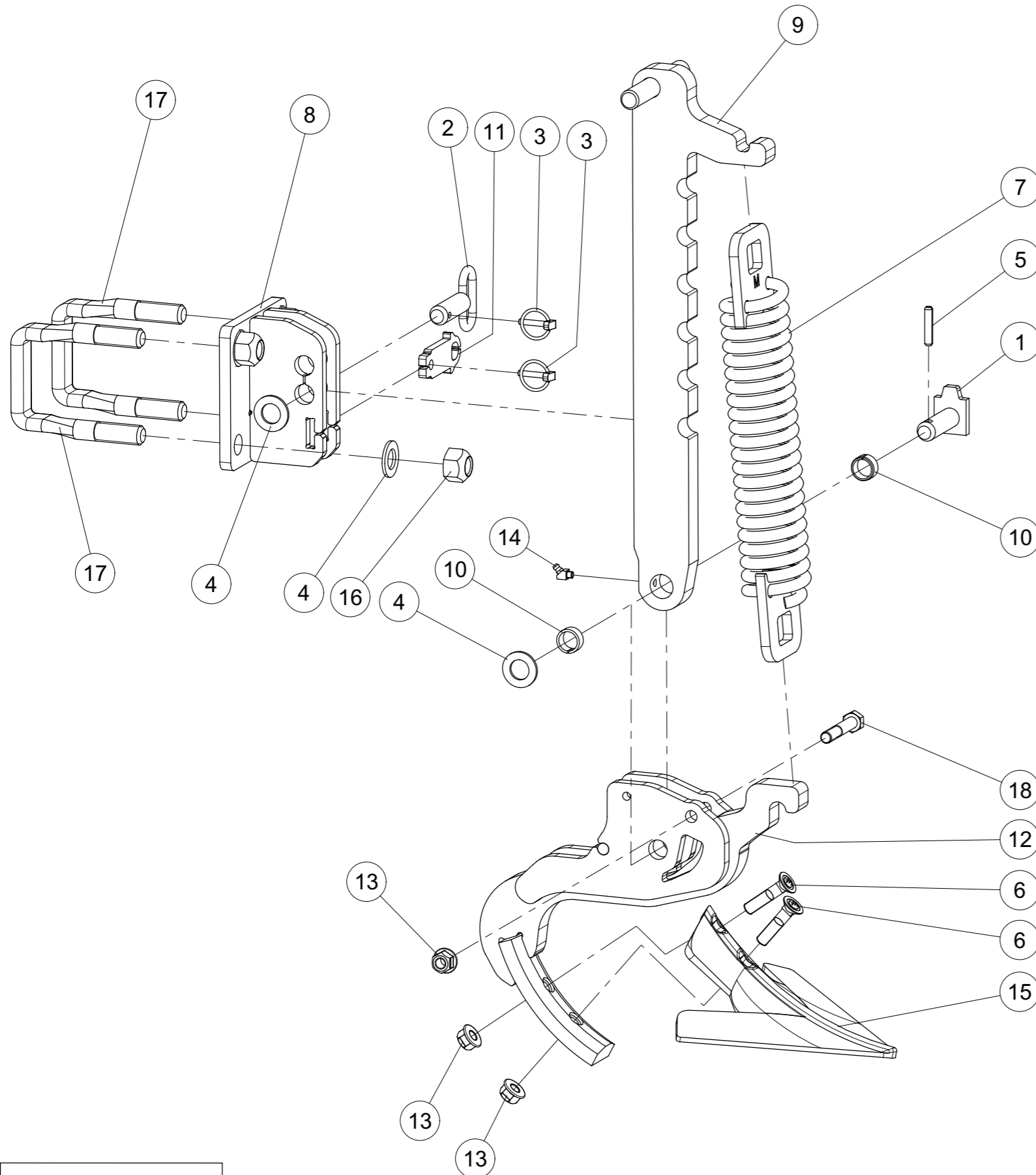
Efface traces á ressort GS-035 cpl.
Track eradicator spring mounted GS-035 cpl.



Index	Quantite	Reference	Designation
1	1	7 C 00320	Soc moulé court Share lace short
2	1	1000.20.15	Axe D 20x58 Z Pin D 20x58 Z
3	1	1000.20.30	Axe D20x55 Z Pin D20x55 Z
4	2	11023D532A	Goupille "Clips" Dia 5 Z Lynch pin Dia5
5	6	125DA21A	Rondelle A 21 ISO7089 ZNBL Washer A 21 ISO7089 Zinc.
6	1	1481D840A	Goupille elastique 8 X 40 ISO8752 Z Spring Pin 8 X 40 ISO8752 Z
7	1	6258.31.16	Ressort de tension Tension spring
8	1	6258.31.20	support de montant d'efface-trace Leg support for track eraser
9	1	6258.31.26	Montant d'efface-trace Leg for track eraser
10	1	6258.31.45	Soc titulaire GG-5 Share holder GG-5
11	2	6258.31.94	Bague ø25/20x12 Bush ø25/20x12
12	1	6258.31.96	Loquet Latsch
13	1	6927DV12NA	Ecrou HEFR M12 emb. S.Lock Cl.10 HEFR M12 Flg nut Gr.10 ZNBL
14	1	71412DBS81	Graisser H2a-M 8x1 -45 Grease Nipple H2a-M 8x1 -45
15	1	931D1050N	Vis H M10 x 50 Noire 10.9 Hex. Screw M10 x 50 Black 10.9
16	4	980DV20NA	Ecrou M20 ZNBL 10.9 Nut M20 Zinc 10.9
17	2	M 631 182	Etrier M20 □ 80 aplati 10.9 Flange M20 □ 80 flattened 10.9
18	1	VI 29 16	Vis H M12x 70 - 8.8 ZNBL Screw H M12x 70 - 8.8 ZNBL
19	1	VJ 141	Ecrou HEFR M10 emb. S.Lock Cl.10 HEFR M10 Flg nut Gr.10 ZNBL



Efface traces á ressort GG-011 cpl.
Track eradicator spring mounted GG-011 cpl.



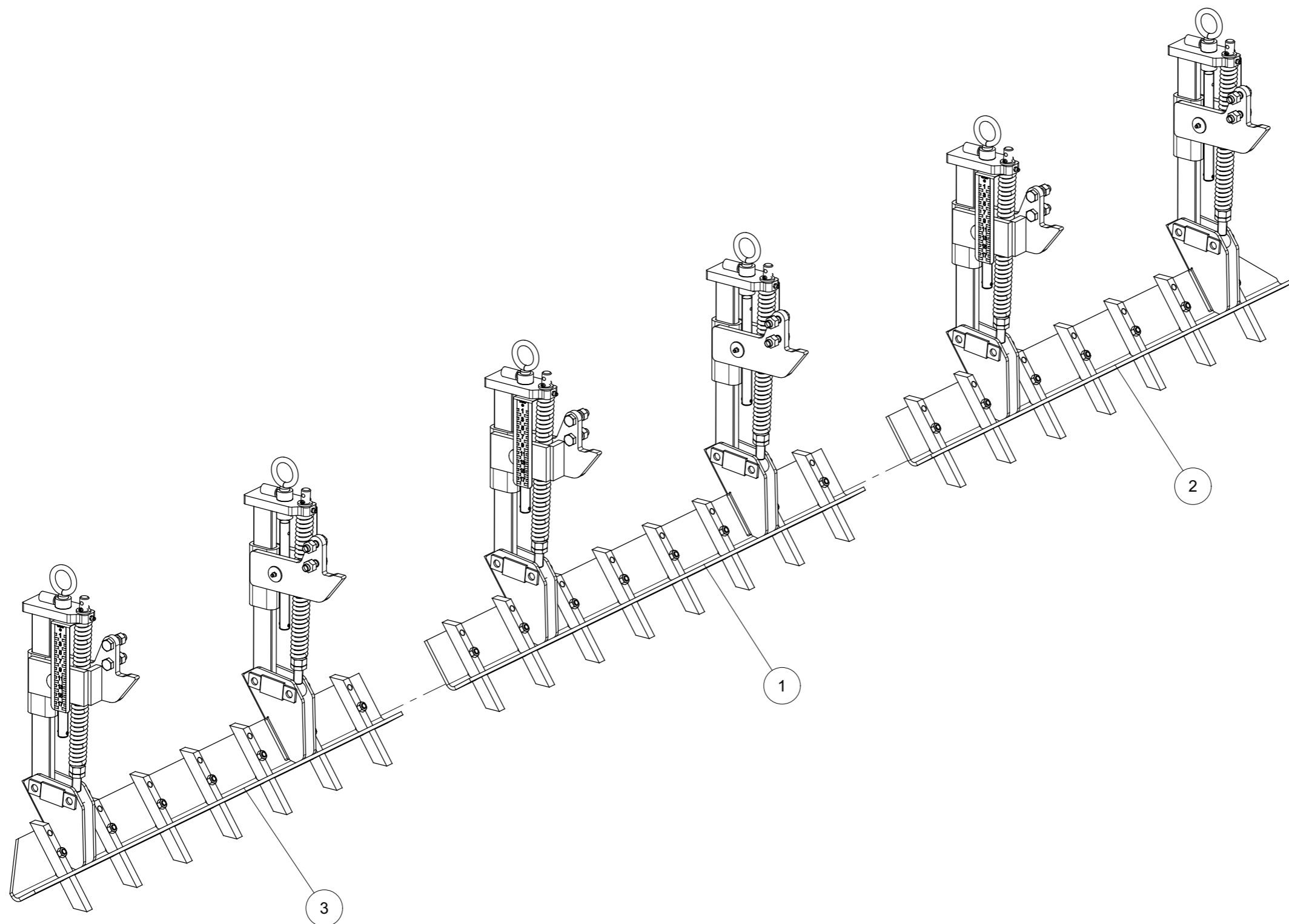
Index	Quantite	Reference	Designation
1	1	1000.20.15	Axe D 20x58 Z Pin D 20x58 Z
2	1	1000.20.30	Axe D20x55 Z Pin D20x55 Z
3	2	11023D532A	Goupille "Clips" Dia 5 Z Lynch pin Dia5
4	6	125DA21A	Rondelle A 21 ISO7089 ZNBL Washer A 21 ISO7089 Zinc.
5	1	1481D840A	Goupille elastique 8 X 40 ISO8752 Z Spring Pin 8 X 40 ISO8752 Z
6	2	2700.26.10	Vis a tête fraisée M 12 X 55-10.9 C sunk screw M 12 X 55-10.9
7	1	6258.31.16	Ressort de tension Tension spring
8	1	6258.31.20	support de montant d'efface-trace Leg support for track eraser
9	1	6258.31.26	Montant d'efface-trace Leg for track eraser
10	2	6258.31.94	Bague ø25/20x12 Bush ø25/20x12
11	1	6258.31.96	Loquet Latsch
12	1	6258.32.35	Soc titulaire GG-O11 Share holder GG-O11
13	3	6927DV12NA	Ecrou HEFR M12 emb. S.Lock Cl.10 HEFR M12 Flg nut Gr.10 ZNBL
14	1	71412DBS81	Graisseur H2a-M 8x1 -45 Grease Nipple H2a-M 8x1 -45
15	1	8426.33.01	Pattes d'oise GG-O11 Crow's feet GG-O11
16	4	980DV20NA	Ecrou M20 ZNBL 10.9 Nut M20 Zinc 10.9
17	2	M 631 182	Etrier M20 □ 80 aplati 10.9 Flange M20 □ 80 flattened 10.9
18	1	VI 29 16	Vis H M12x 70 - 8.8 ZNBL Screw H M12x 70 - 8.8 ZNBL



Train denté 4501 L (S) cpl.

Tine trailer 4501 L (S) cpl.

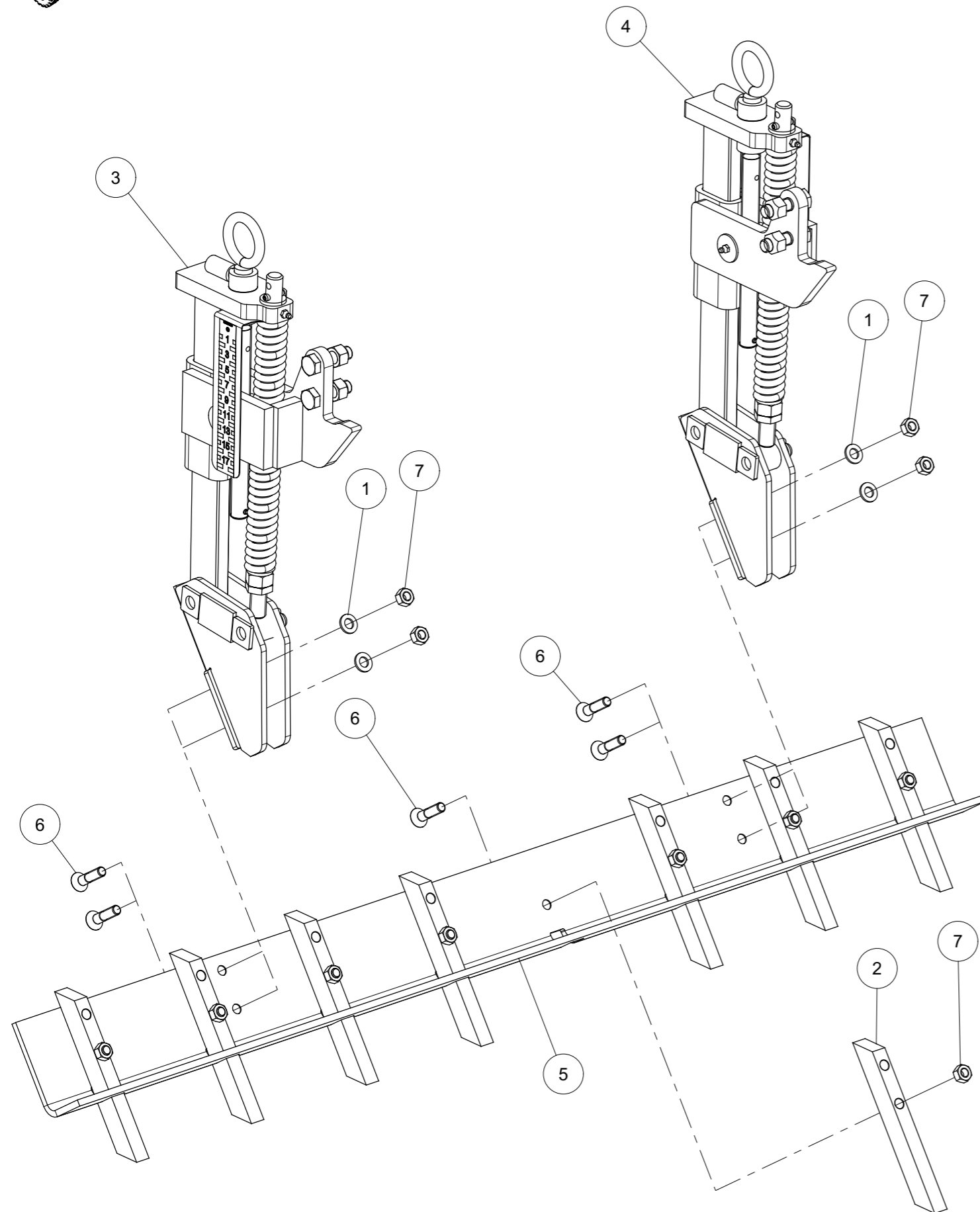
Index	Quantity	Reference	Designation
1	1	6258.03.10	Train denté section médiane cpl. Tine trailer midsection cpl.
2	1	6258.03.20	Train denté droit cpl. Tine trailer right cpl.
3	1	6258.03.30	Train denté gauche cpl. Tiné trailer left cpl.





Train denté section médiane cpl.

Tine trailer midsection cpl.

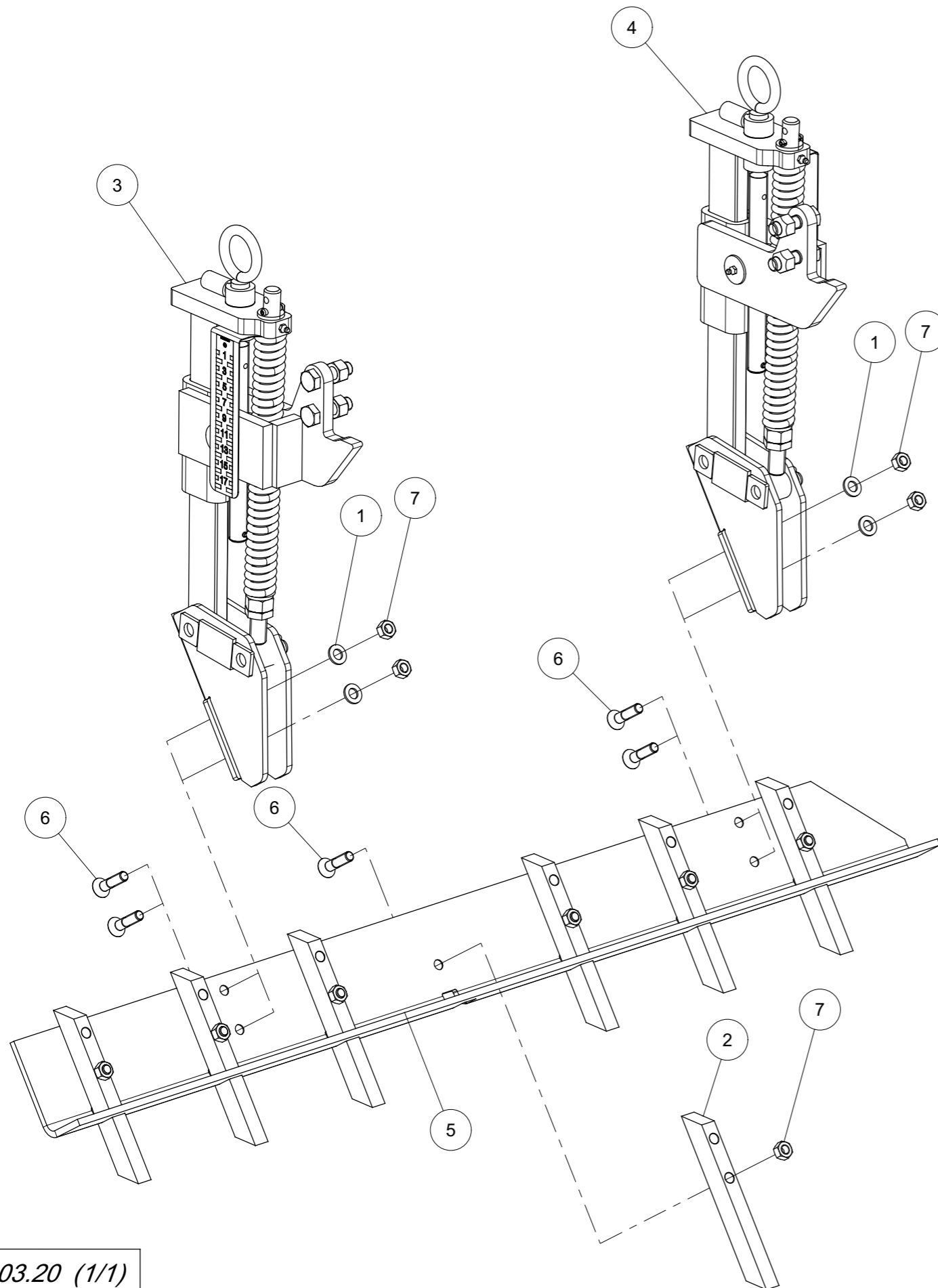


Index	Quantity	Reference	Designation
1	4	125DA13A	Rondelle A 13 ISO7089 ZNBL Washer A 13 ISO7089 Zinc.
2	8	6253.48.01	Dent Tine
3	1	6258.03.34	Ensemble de ressort gauche série 1 cpl. Spring assembly left series 1 cpl.
4	1	6258.03.35	Ensemble de ressort gauche série 2 cpl. Spring assemble left series 2 cpl.
5	1	6258.03.90	Angle tôle au milieu Angle sheet metal midst
6	12	7991D1250PA	Vis FHc M12x50 ISO10642-8.8 ZNBL Screw FHc M12x50 ISO10642-8.8 ZNBL
7	12	934D12PA	Ecrou std H M12 - pas 175 Zingue Nut std H M12 - thread 175 Zingue



Train denté droit cpl.

Tine trailer right cpl.

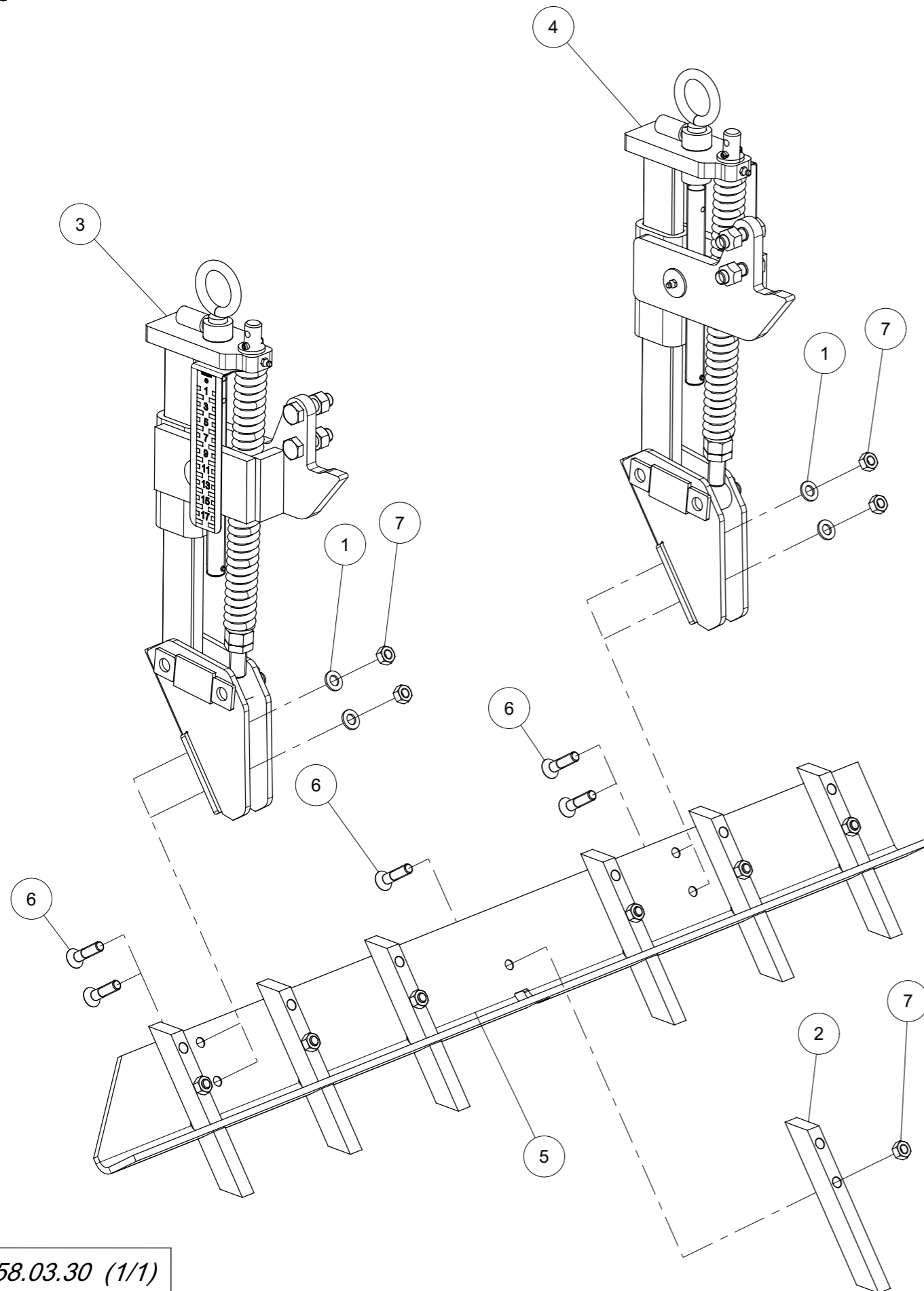


Index	Quantity	Reference	Designation
1	4	125DA13A	Rondelle A 13 ISO7089 ZNBL Washer A 13 ISO7089 Zinc.
2	7	6253.48.01	Dent Tine
3	1	6258.03.34	Ensemble de ressort gauche série 1 cpl. Spring assembly left series 1 cpl.
4	1	6258.03.35	Ensemble de ressort gauche série 2 cpl. Spring assemble left series 2 cpl.
5	1	6258.03.81	Angle tôle droite Angle sheet metal right
6	11	7991D1250PA	Vis FHc M12x50 ISO10642-8.8 ZNBL Screw FHc M12x50 ISO10642-8.8 ZNBL
7	11	934D12PA	Ecrou std H M12 - pas 175 Zingue Nut std H M12 - thread 175 Zingue



Train denté gauche cpl.

Tiné trailer left cpl.

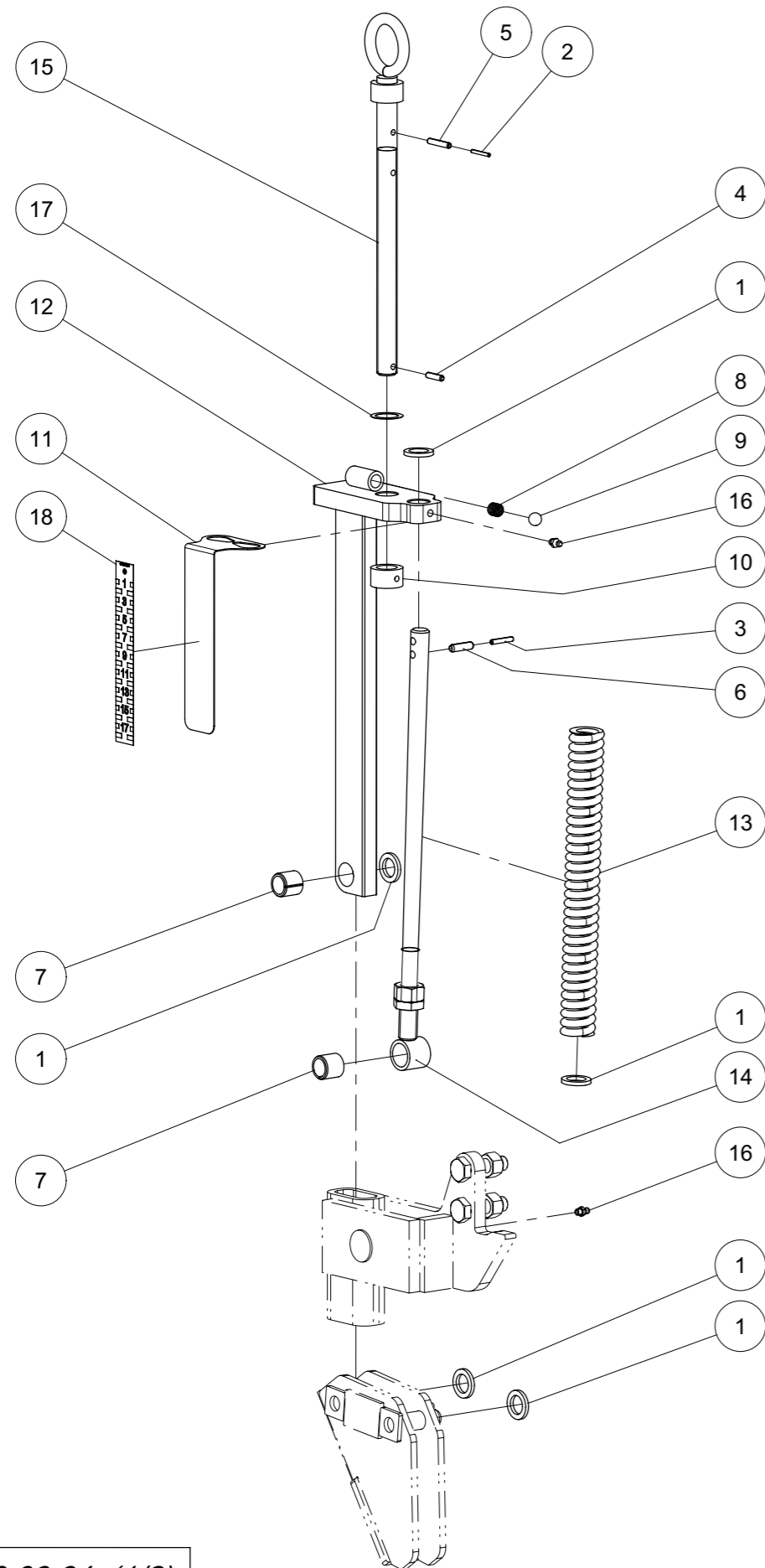


Index	Quantity	Reference	Designation
1	4	125DA13A	Rondelle A 13 ISO7089 ZNBL Washer A 13 ISO7089 Zinc.
2	7	6253.48.01	Dent Tine
3	1	6258.03.34	Ensemble de ressort gauche série 1 cpl. Spring assembly left series 1 cpl.
4	1	6258.03.35	Ensemble de ressort gauche série 2 cpl. Spring assemble left series 2 cpl.
5	1	6258.03.85	Angle tôle gauche Angle sheet metal left
6	11	7991D1250PA	Vis FHc M12x50 ISO10642-8.8 ZNBL Screw FHc M12x50 ISO10642-8.8 ZNBL
7	11	934D12PA	Ecrou std H M12 - pas 175 Zingue Nut std H M12 - thread 175 Zingue



Ensemble de ressort gauche série 1 cpl.

Spring assembly left series 1 cpl.

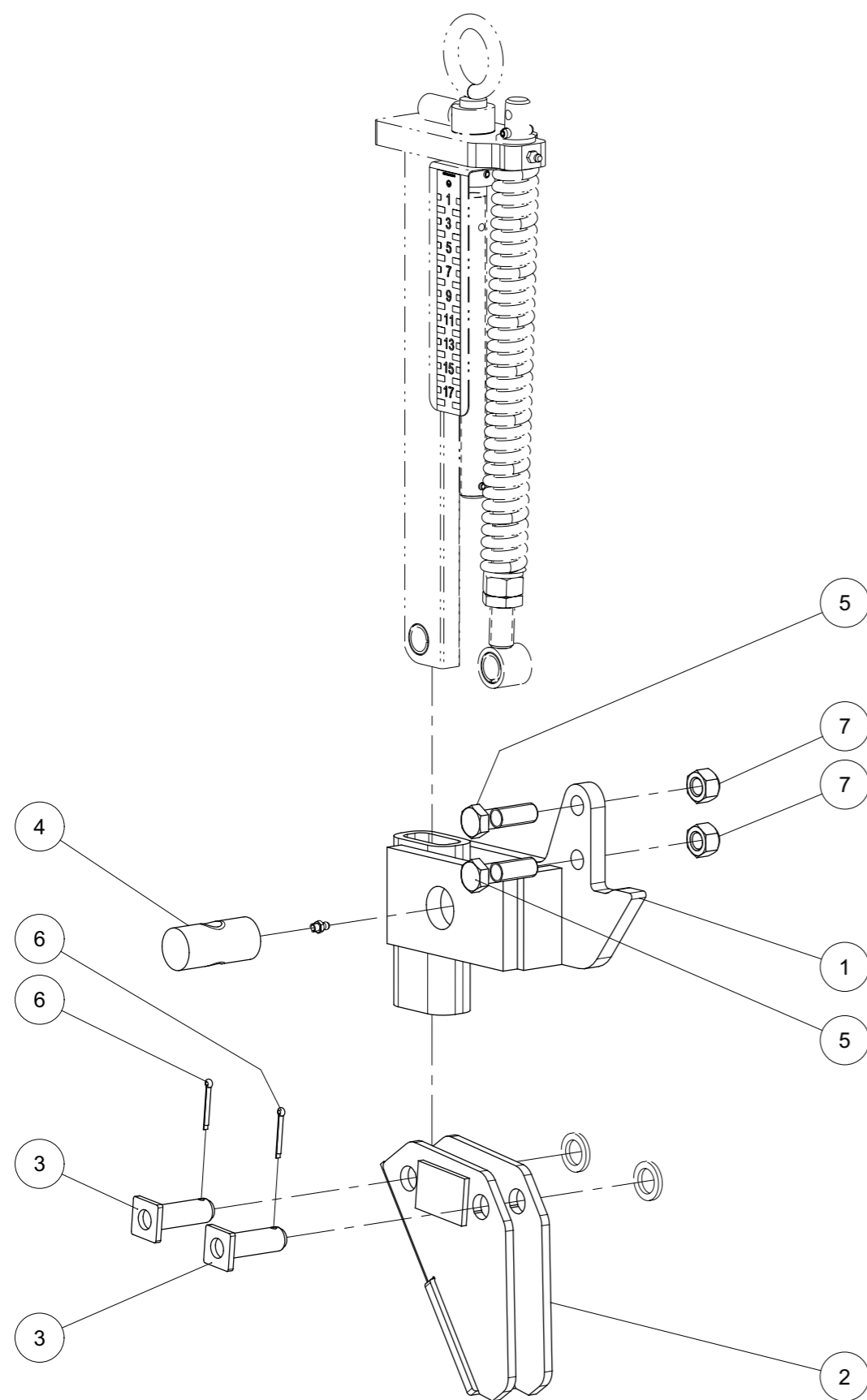


Index	Quantity	Reference	Designation
1	5	1441D21A	Rondelle 21 DIN1441 Z Washer 21 DIN1441 Z
2	1	1481D3.530A	Goupille elastique 3,5 X 30 ISO8752 Z Spring Pin 3,5 X 30 ISO8752 Z
3	1	1481D530A	Goupille elastique 5 X 30 ISO8752 Z Spring Pin 5 X 30 ISO8752 Z
4	1	1481D626A	Goupille elastique 6 X 26 ISO8752 Z Spring Pin 6 X 26 ISO8752 Z
5	1	1481D636A	Goupille elastique 6 X 36 ISO8752 Z Spring Pin 6 X 36 ISO8752 Z
6	1	1481D830	Goupille elastique 8 X 30 ISO8752 Spring Pin 8 X 30 ISO8752
7	2	1498D202624	Douille EG 20/26x24 DIN1498 Bush EG 20/26x24 DIN1498
8	1	4716.12.00	Ressort de compression Compression Spring
9	1	4716.36.00	Bille Ball
10	1	6258.03.02	Bague de butée Stop ring
11	1	6258.03.75	Échelle de tôle Scale sheet metal
12	1	6337.43.20	Tige soudée Stalk welded
13	1	6337.48.15	Ressort de compression DF-269.5 Compression spring DF-269.5
14	1	6337.81.01	Bras soudée Compression rod welded
15	1	6464.07.39	Broche soudé Spindle welded
16	2	71412DA81	Graisseur H1-M 8x1 -180 Grease Nipple H1-M 8x1 -180
17	1	988D25350.5	Rondelle 25x 35x0,5 DIN988 Washer 25x 35x0,5 DIN988
18	1	9998.09.04	Échelle d'autocollant Sticker scale



Ensemble de ressort gauche série 1 cpl.

Spring assembly left series 1 cpl.

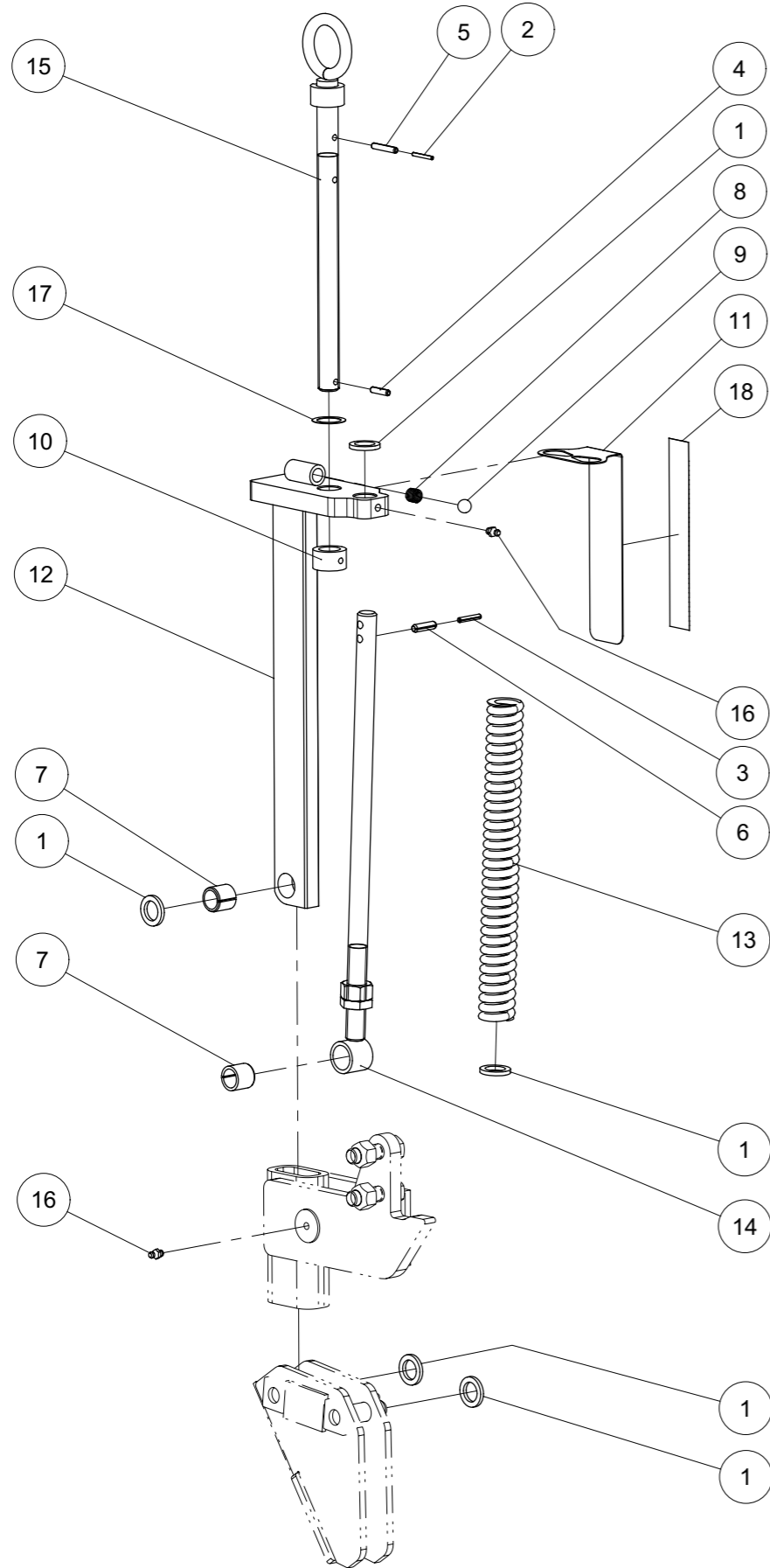


Index	Quantity	Reference	Designation
1	1	6258.03.61	Support gauche soudé Bracket left welded
2	1	6258.03.95	Support soudé version 1 Welded holder version 1
3	2	6337.45.03	Axe sécurité D20-53.5 Safety pin D20-53.5
4	1	6806.34.03	Ecrou de la vis Tr. 22x5 Spindle nut Tr. 22x5
5	2	931D1655PA	Vis H M16 x 55 ZNBL 8.8 Hex. Screw M16 x 55 Zinc 8.8
6	2	94D432	Goupille fendue 4x 32 ISO1234 cotter pin 4x 32 ISO1234
7	2	980DV16PA	Ecrou M16 ZNBL 8.8 Nut M16 Zinc 8.8



Ensemble de ressort gauche série 2 cpl.

Spring assemble left series 2 cpl.



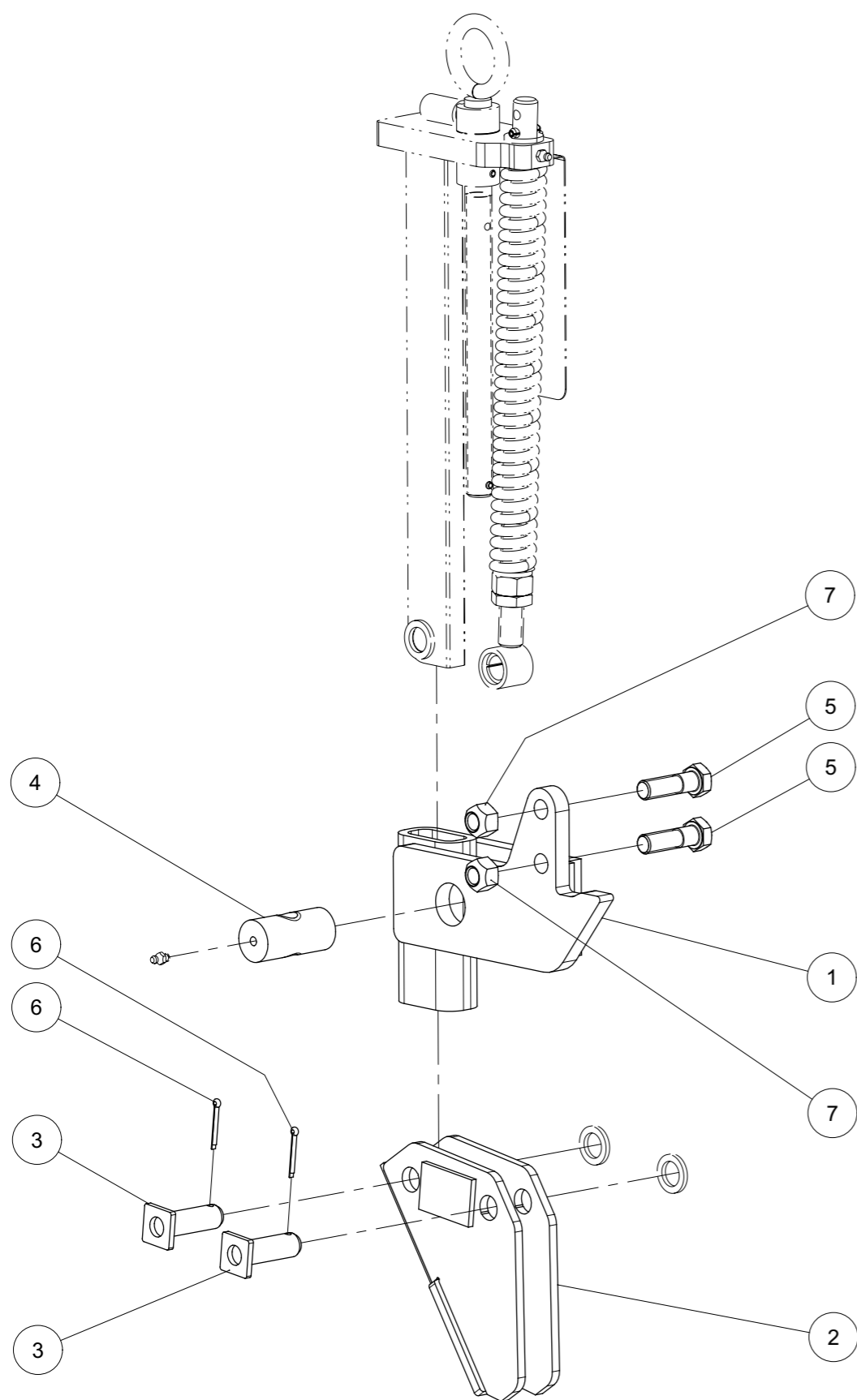
Index	Quantity	Reference	Designation
1	5	1441D21A	Rondelle 21 DIN1441 Z Washer 21 DIN1441 Z
2	1	1481D3.530A	Goupille elastique 3,5 X 30 ISO8752 Z Spring Pin 3,5 X 30 ISO8752 Z
3	1	1481D530A	Goupille elastique 5 X 30 ISO8752 Z Spring Pin 5 X 30 ISO8752 Z
4	1	1481D626A	Goupille elastique 6 X 26 ISO8752 Z Spring Pin 6 X 26 ISO8752 Z
5	1	1481D636A	Goupille elastique 6 X 36 ISO8752 Z Spring Pin 6 X 36 ISO8752 Z
6	1	1481D830	Goupille elastique 8 X 30 ISO8752 Spring Pin 8 X 30 ISO8752
7	2	1498D202624	Douille EG 20/26x24 DIN1498 Bush EG 20/26x24 DIN1498
8	1	4716.12.00	Ressort de compression Compression Spring
9	1	4716.36.00	Bille Ball
10	1	6258.03.02	Bague de butée Stop ring
11	1	6258.03.75	Échelle de tôle Scale sheet metal
12	1	6337.43.20	Tige soudée Stalk welded
13	1	6337.48.15	Ressort de compression DF-269.5 Compression spring DF-269.5
14	1	6337.81.01	Bras soudée Compression rod welded
15	1	6464.07.39	Broche soudé Spindle welded
16	2	71412DA81	Graisseur H1-M 8x1 -180 Grease Nipple H1-M 8x1 -180
17	1	988D25350.5	Rondelle 25x 35x0,5 DIN988 Washer 25x 35x0,5 DIN988
18	1	9998.09.04	Échelle d'autocollant Sticker scale



Ensemble de ressort gauche série 2 cpl.

Spring assemble left series 2 cpl.

Index	Quantity	Reference	Designation
1	1	6258.03.64	Support droit soudé Bracket right welded
2	1	6258.03.95	Support soudé version 1 Welded holder version 1
3	2	6337.45.03	Axe sécurité D20-53.5 Safety pin D20-53.5
4	1	6806.34.03	Ecrou de la vis Tr. 22x5 Spindle nut Tr. 22x5
5	2	931D1655PA	Vis H M16 x 55 ZNBL 8.8 Hex. Screw M16 x 55 Zinc 8.8
6	2	94D432	Goupille fendue 4x 32 ISO1234 cotter pin 4x 32 ISO1234
7	2	980DV16PA	Ecrou M16 ZNBL 8.8 Nut M16 Zinc 8.8

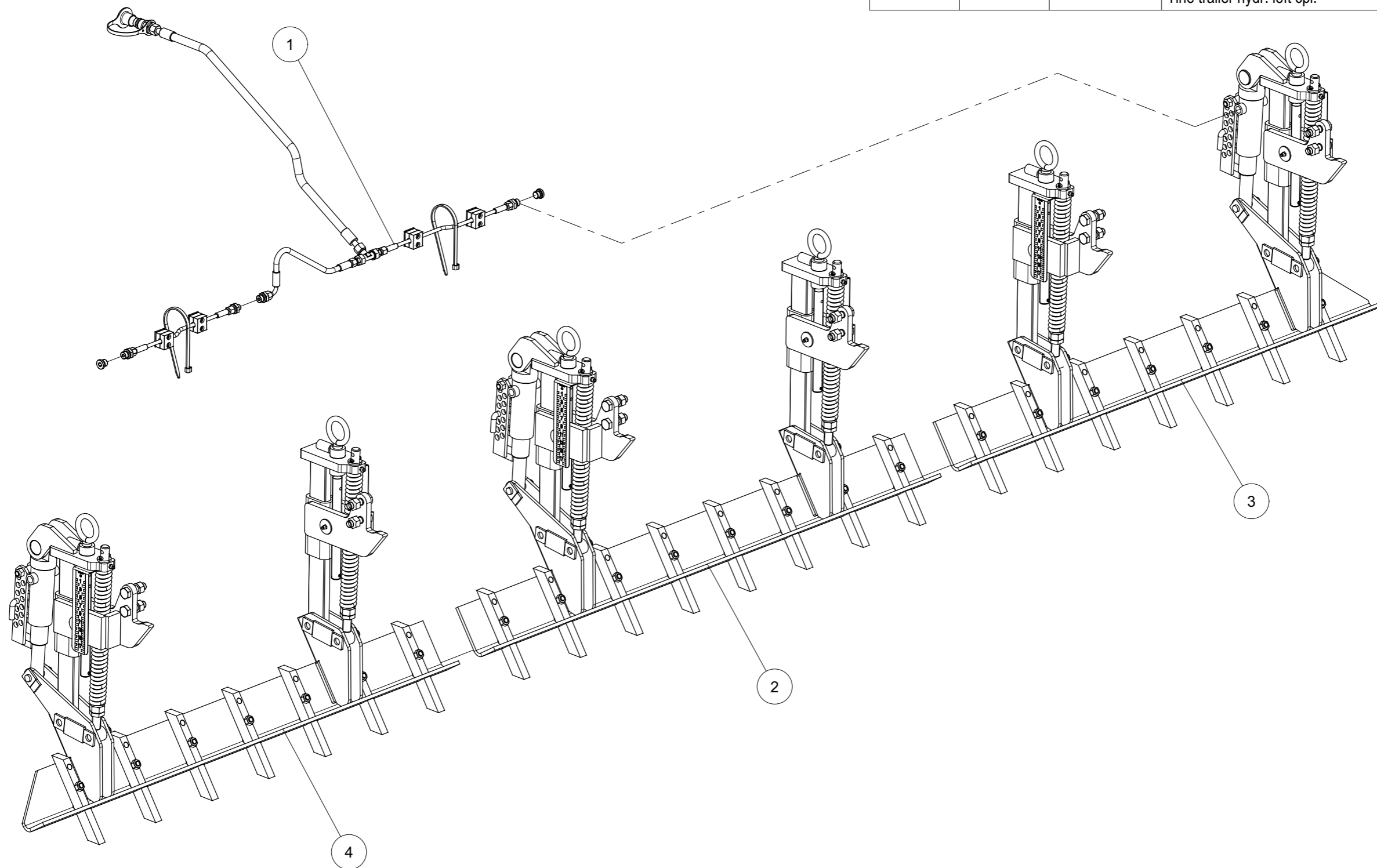




Train denté hydr. 4501 L (S) cpl.

Tain trailer hydr. 4501 L (S) cpl.

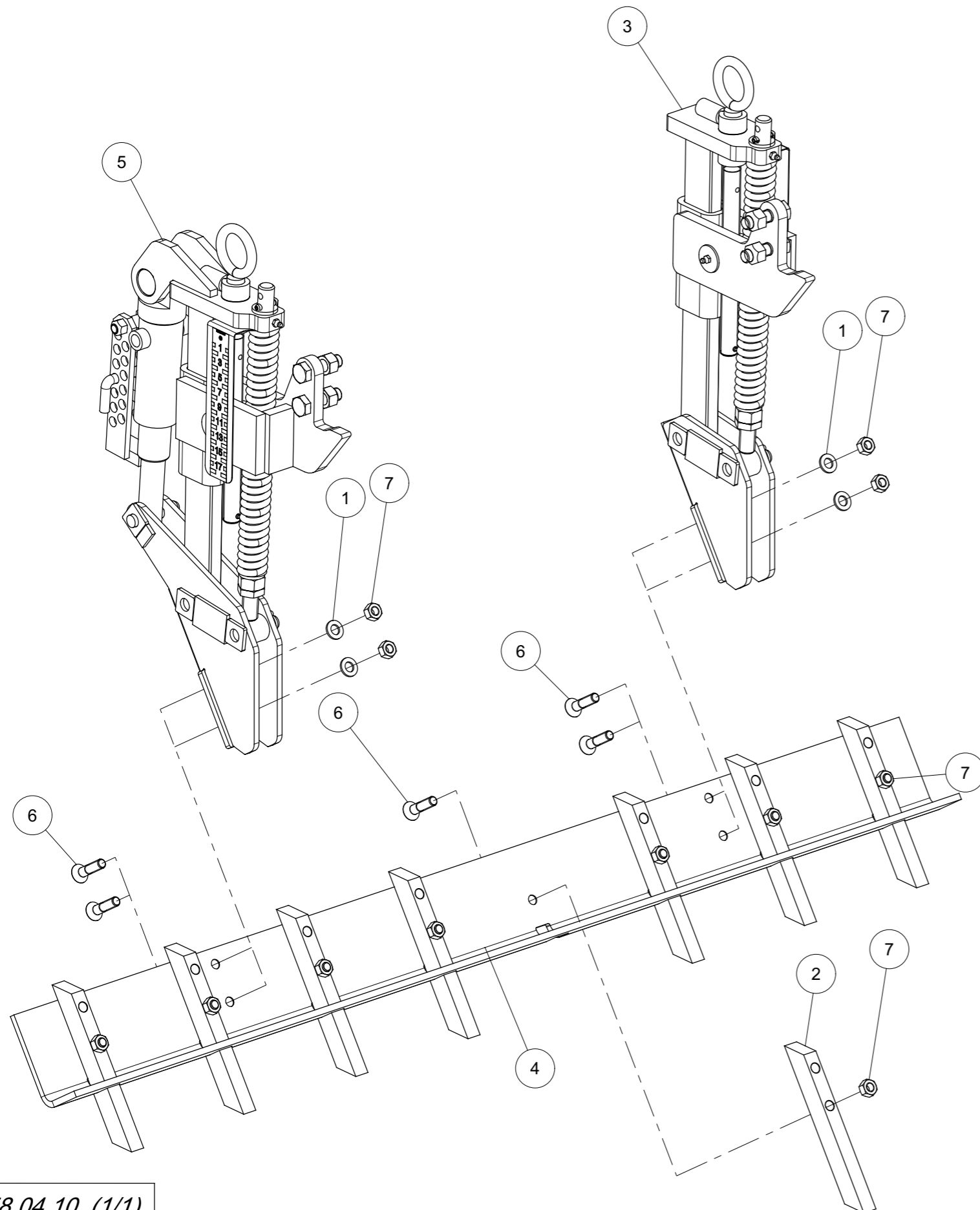
Index	Quantity	Reference	Designation
1	1	6253.91.01	Hydr. Train denté 4500 Hydr. Tine trailer 4500
2	1	6258.04.10	Train denté hydr. section médiane version 1 cpl. Tine trailer hydr. midsection version 1 cpl.
3	1	6258.04.20	Train denté hydr. droit cpl. Tine trailer hydr. right cpl.
4	1	6258.04.30	Train denté hydr. gauche cpl. Tine trailer hydr. left cpl.





Train denté hydr. section médiane version 1 cpl.

Tine trailer hydr. midsection version 1 cpl.

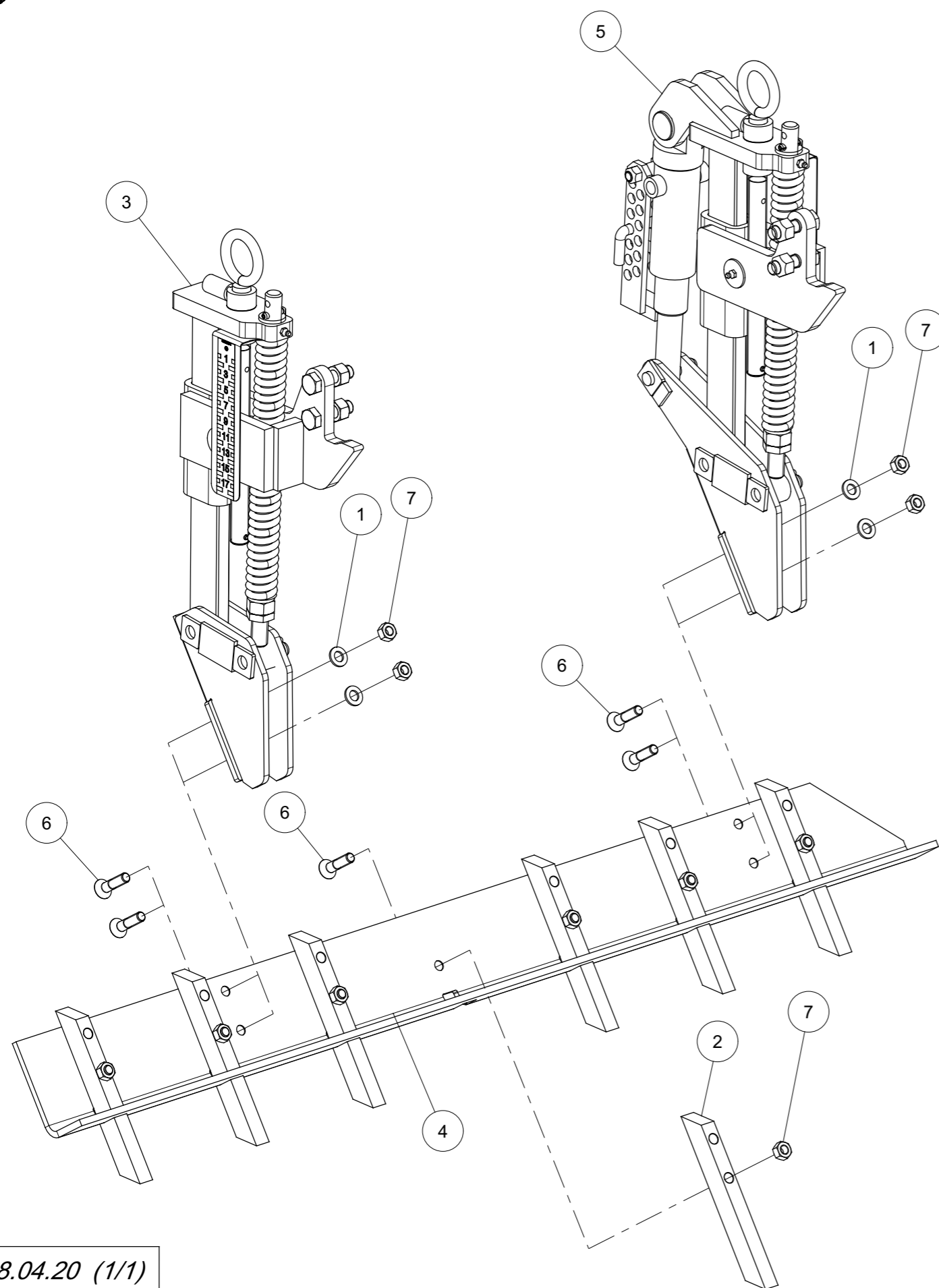


Index	Quantity	Reference	Designation
1	4	125DA13A	Rondelle A 13 ISO7089 ZNBL Washer A 13 ISO7089 Zinc.
2	8	6253.48.01	Dent Tine
3	1	6258.03.35	Ensemble de ressort gauche série 2 cpl. Spring assemble left series 2 cpl.
4	1	6258.03.90	Angle tôle au milieu Angle sheet metal midst
5	1	6258.04.37	Ensemble de ressort série 4 cpl. Spring assemble series 4 cpl.
6	12	7991D1250PA	Vis FHc M12x50 ISO10642-8.8 ZNBL Screw FHc M12x50 ISO10642-8.8 ZNBL
7	12	934D12PA	Ecrou std H M12 - pas 175 Zingue Nut std H M12 - thread 175 Zingue



Train denté hydr. droit cpl.

Tine trailer hydr. right cpl.

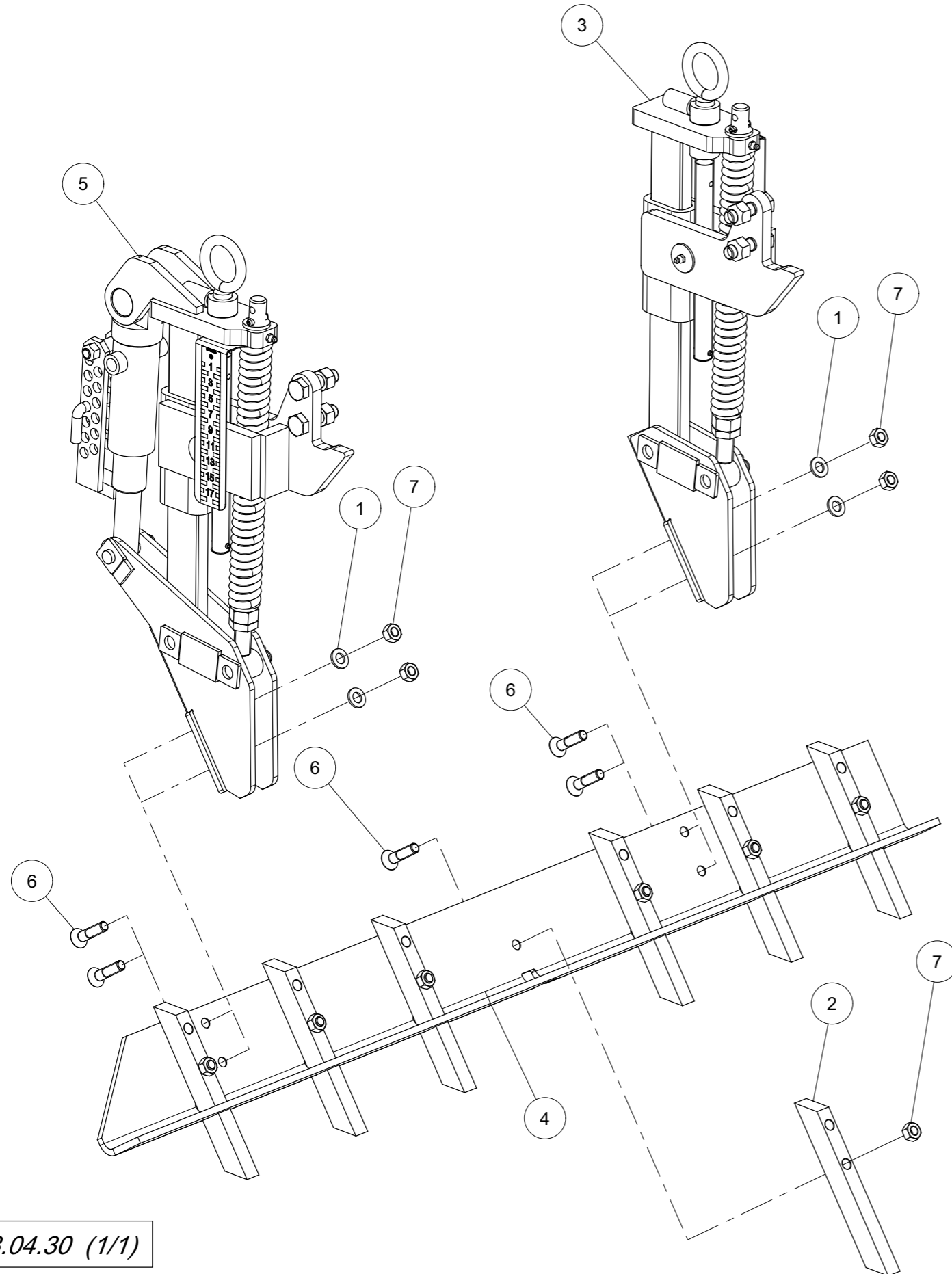


Index	Quantity	Reference	Designation
1	4	125DA13A	Rondelle A 13 ISO7089 ZNBL Washer A 13 ISO7089 Zinc.
2	7	6253.48.01	Dent Tine
3	1	6258.03.34	Ensemble de ressort gauche série 1 cpl. Spring assembly left series 1 cpl.
4	1	6258.03.81	Angle tôle droite Angle sheet metal right
5	1	6258.04.38	Ensemble de ressort série 5 cpl. Spring assemble series 5 cpl.
6	11	7991D1250PA	Vis FHc M12x50 ISO10642-8.8 ZNBL Screw FHc M12x50 ISO10642-8.8 ZNBL
7	11	934D12PA	Ecrou std H M12 - pas 175 Zingue Nut std H M12 - thread 175 Zingue



Train denté hydr. gauche cpl.

Tine trailer hydr. left cpl.

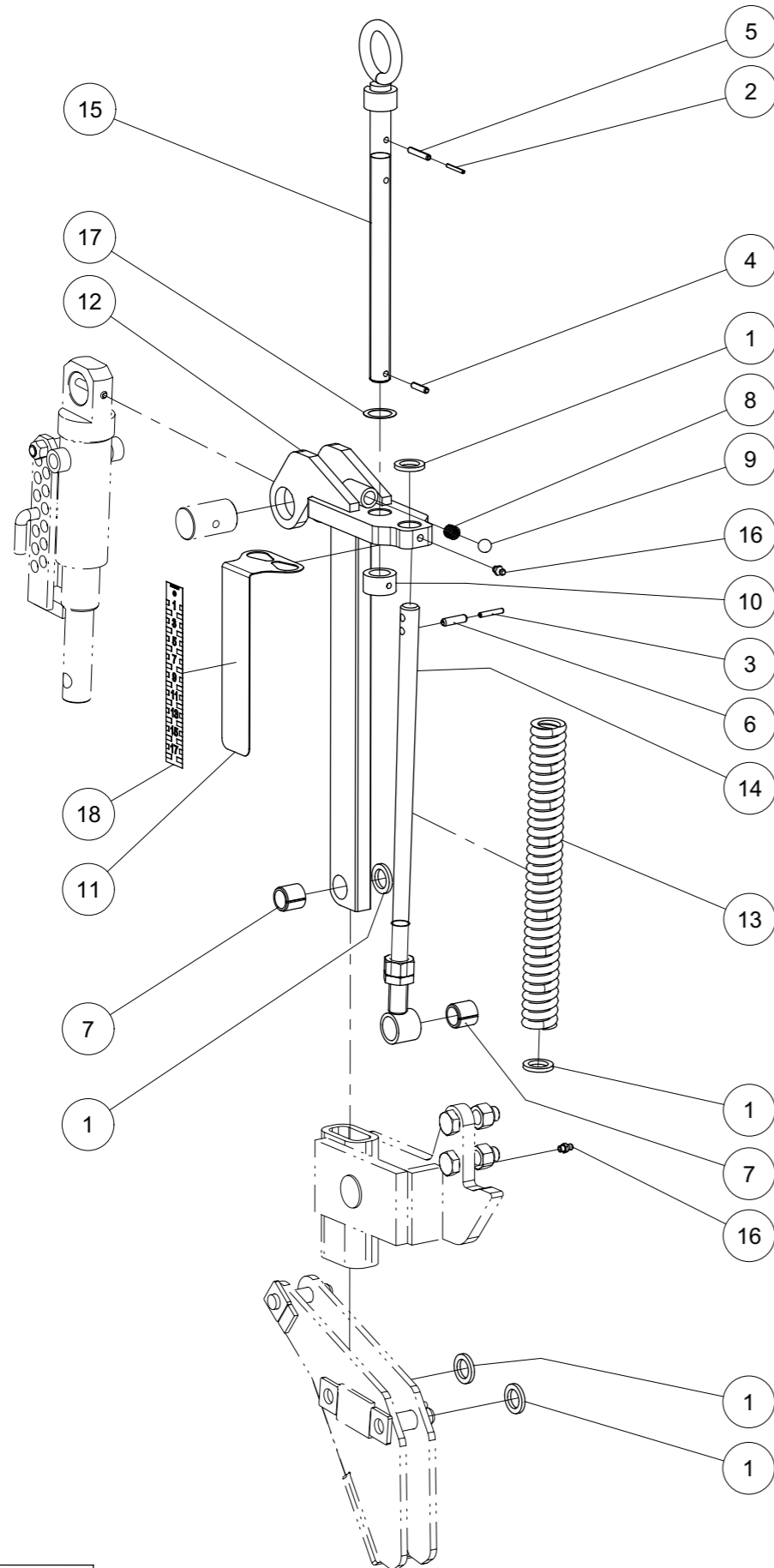


Index	Quantity	Reference	Designation
1	4	125DA13A	Rondelle A 13 ISO7089 ZNBL Washer A 13 ISO7089 Zinc.
2	7	6253.48.01	Dent Tine
3	1	6258.03.35	Ensemble de ressort gauche série 2 cpl. Spring assemble left series 2 cpl.
4	1	6258.03.85	Angle tôle gauche Angle sheet metal left
5	1	6258.04.37	Ensemble de ressort série 4 cpl. Spring assemble series 4 cpl.
6	11	7991D1250PA	Vis FHc M12x50 ISO10642-8.8 ZNBL Screw FHc M12x50 ISO10642-8.8 ZNBL
7	11	934D12PA	Ecrou std H M12 - pas 175 Zingue Nut std H M12 - thread 175 Zingue



Ensemble de ressort série 4 cpl.

Spring assemble series 4 cpl.

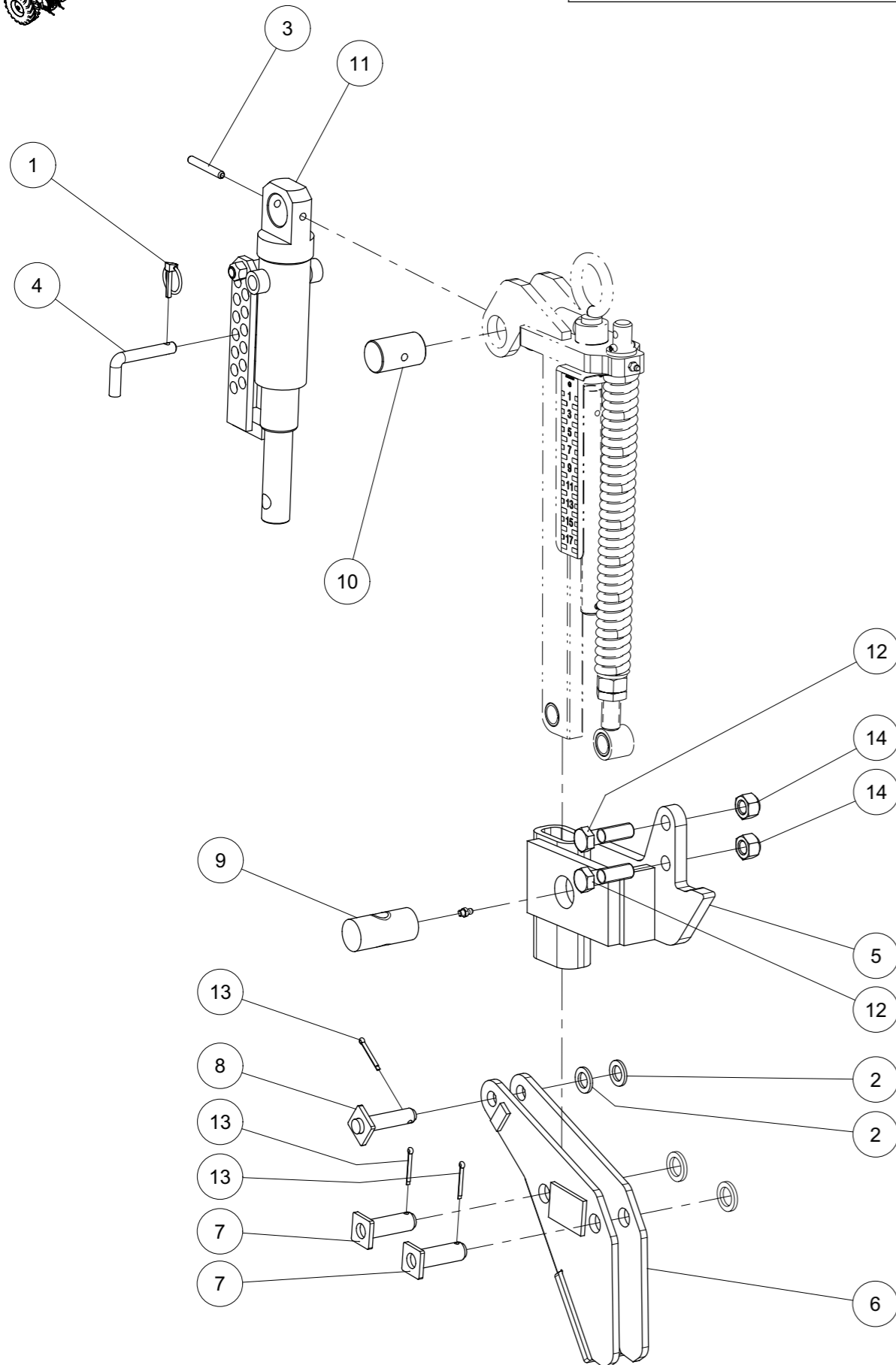


Index	Quantity	Reference	Designation
1	5	1441D21A	Rondelle 21 DIN1441 Z Washer 21 DIN1441 Z
2	1	1481D3.530A	Goupille elastique 3,5 X 30 ISO8752 Z Spring Pin 3,5 X 30 ISO8752 Z
3	1	1481D530A	Goupille elastique 5 X 30 ISO8752 Z Spring Pin 5 X 30 ISO8752 Z
4	1	1481D626A	Goupille elastique 6 X 26 ISO8752 Z Spring Pin 6 X 26 ISO8752 Z
5	1	1481D636A	Goupille elastique 6 X 36 ISO8752 Z Spring Pin 6 X 36 ISO8752 Z
6	1	1481D830	Goupille elastique 8 X 30 ISO8752 Spring Pin 8 X 30 ISO8752
7	2	1498D202624	Douille EG 20/26x24 DIN1498 Bush EG 20/26x24 DIN1498
8	1	4716.12.00	Ressort de compression Compression Spring
9	1	4716.36.00	Bille Ball
10	1	6258.03.02	Bague de butée Stop ring
11	1	6258.03.75	Échelle de tôle Scale sheet metal
12	1	6337.43.22	Tige soudé Stalk welded
13	1	6337.48.15	Ressort de compression DF-269.5 Compression spring DF-269.5
14	1	6337.81.01	Bras soudée Compression rod welded
15	1	6464.07.39	Broche soudé Spindle welded
16	2	71412DA81	Graisseur H1-M 8x1 -180 Grease Nipple H1-M 8x1 -180
17	1	988D25350.5	Rondelle 25x 35x0,5 DIN988 Washer 25x 35x0,5 DIN988
18	1	9998.09.04	Échelle d'autocollant Sticker scale



Ensemble de ressort série 4 cpl.

Spring assemble series 4 cpl.

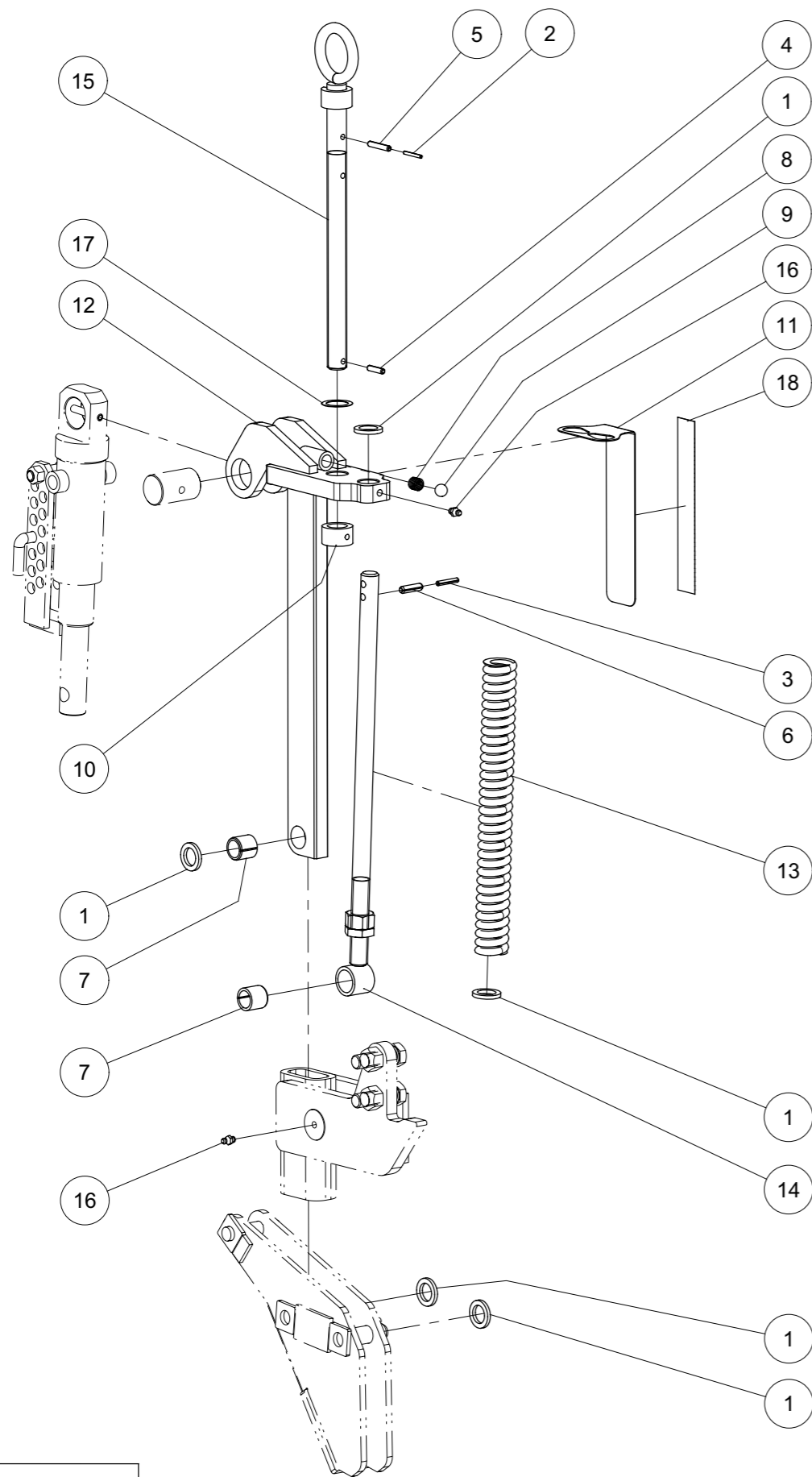


Index	Quantity	Reference	Designation
1	1	11023D532A	Goupille "Clips" Dia 5 Z Lynch pin Dia5
2	2	1441D17A	Rondelle 17 DIN1441 Z Washer 17 DIN1441 Z
3	1	1481D860A	Goupille elastique 8 X 60 ISO8752 Z Spring Pin 8 X 60 ISO8752 Z
4	1	6241.29.02	Axe TB-12x50 Pin TB-12x50
5	1	6258.03.61	Support gauche soudé Bracket left welded
6	1	6258.04.92	Support soudé version 2 Welded holder version 2
7	2	6337.45.03	Axe sécurité D20-53.5 Safety pin D20-53.5
8	1	6349.16.01	Axe D16-56 Pin D16-56
9	1	6806.34.03	Ecrou de la vis Tr. 22x5 Spindle nut Tr. 22x5
10	1	8163.01.01	Axe D35x57 mm Pin D35x57 mm
11	1	8171.48.01	Cylindre 45/40/96/310 monté Cylinder 45/40/96/310 mounted
12	2	931D1655PA	Vis H M16 x 55 ZNBL 8.8 Hex. Screw M16 x 55 Zinc 8.8
13	3	94D432	Goupille fendue 4x 32 ISO1234 cotter pin 4x 32 ISO1234
14	2	980DV16PA	Ecrou M16 ZNBL 8.8 Nut M16 Zinc 8.8



Ensemble de ressort série 5 cpl.

Spring assemble series 5 cpl.

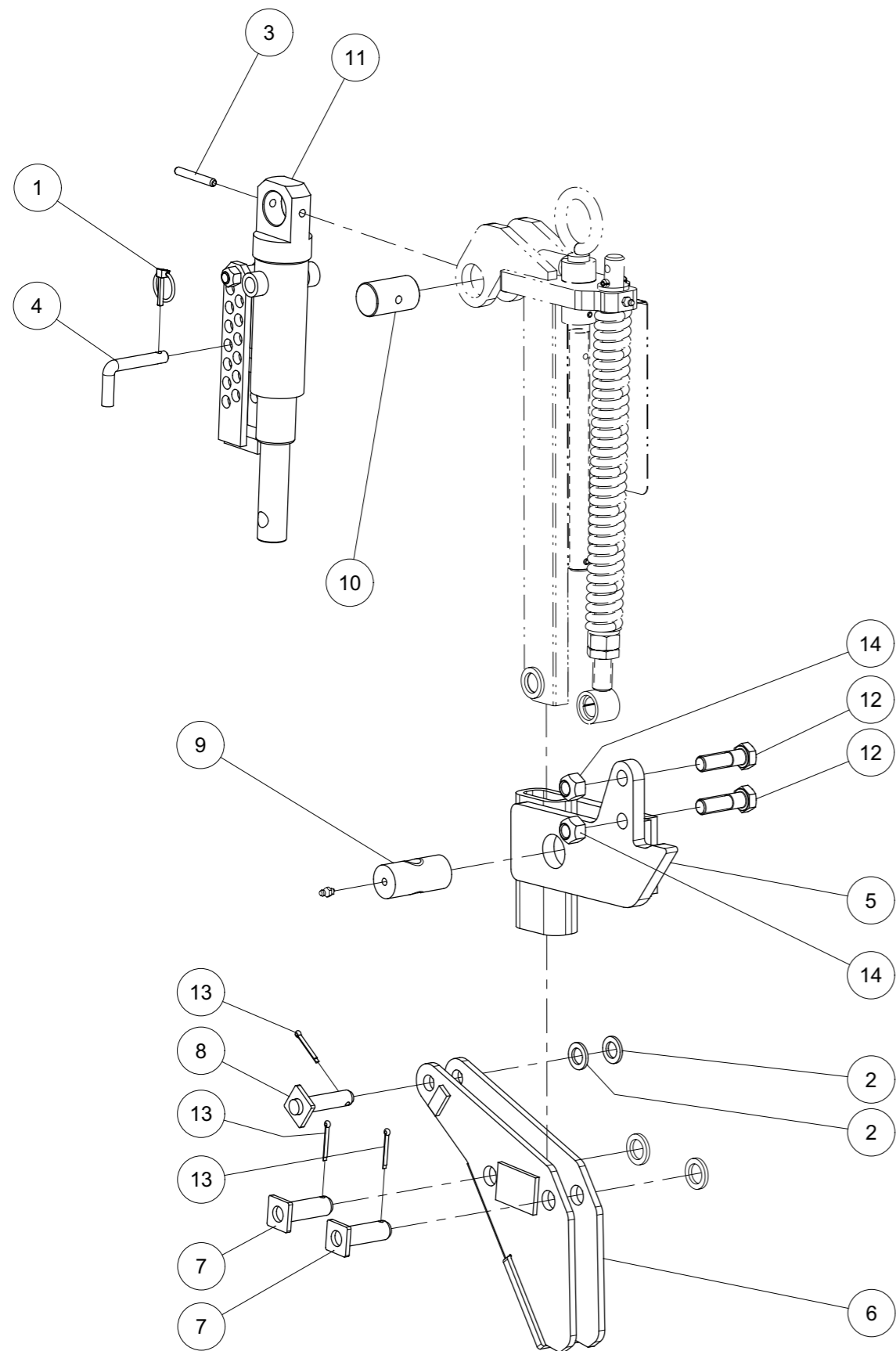


Index	Quantity	Reference	Designation
1	5	1441D21A	Rondelle 21 DIN1441 Z Washer 21 DIN1441 Z
2	1	1481D3.530A	Goupille elastique 3,5 X 30 ISO8752 Z Spring Pin 3,5 X 30 ISO8752 Z
3	1	1481D530A	Goupille elastique 5 X 30 ISO8752 Z Spring Pin 5 X 30 ISO8752 Z
4	1	1481D626A	Goupille elastique 6 X 26 ISO8752 Z Spring Pin 6 X 26 ISO8752 Z
5	1	1481D636A	Goupille elastique 6 X 36 ISO8752 Z Spring Pin 6 X 36 ISO8752 Z
6	1	1481D830	Goupille elastique 8 X 30 ISO8752 Spring Pin 8 X 30 ISO8752
7	2	1498D202624	Douille EG 20/26x24 DIN1498 Bush EG 20/26x24 DIN1498
8	1	4716.12.00	Ressort de compression Compression Spring
9	1	4716.36.00	Bille Ball
10	1	6258.03.02	Bague de butée Stop ring
11	1	6258.03.75	Échelle de tôle Scale sheet metal
12	1	6337.43.22	Tige soudé Stalk welded
13	1	6337.48.15	Ressort de compression DF-269.5 Compression spring DF-269.5
14	1	6337.81.01	Bras soudée Compression rod welded
15	1	6464.07.39	Broche soudé Spindle welded
16	2	71412DA81	Graisseur H1-M 8x1 -180 Grease Nipple H1-M 8x1 -180
17	1	988D25350.5	Rondelle 25x 35x0,5 DIN988 Washer 25x 35x0,5 DIN988
18	1	9998.09.04	Échelle d'autocollant Sticker scale



Ensemble de ressort série 5 cpl.

Spring assemble series 5 cpl.

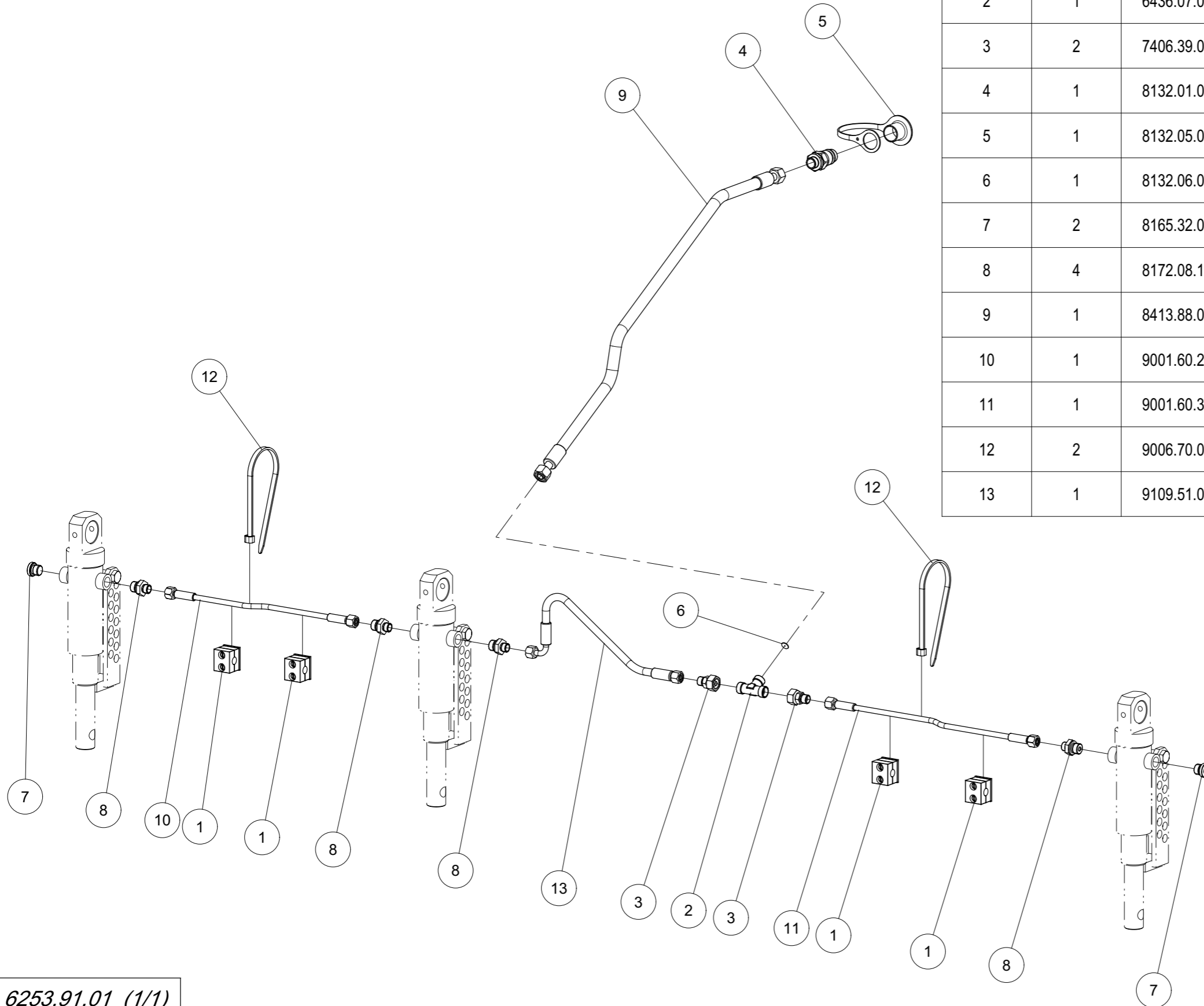


Index	Quantity	Reference	Designation
1	1	11023D532A	Goupille "Clips" Dia 5 Z Lynch pin Dia5
2	2	1441D17A	Rondelle 17 DIN1441 Z Washer 17 DIN1441 Z
3	1	1481D860A	Goupille elastique 8 X 60 ISO8752 Z Spring Pin 8 X 60 ISO8752 Z
4	1	6241.29.02	Axe TB-12x50 Pin TB-12x50
5	1	6258.03.64	Support droit soudé Bracket right welded
6	1	6258.04.92	Support soudé version 2 Welded holder version 2
7	2	6337.45.03	Axe sécurité D20-53.5 Safety pin D20-53.5
8	1	6349.16.01	Axe D16-56 Pin D16-56
9	1	6806.34.03	Ecrou de la vis Tr. 22x5 Spindle nut Tr. 22x5
10	1	8163.01.01	Axe D35x57 mm Pin D35x57 mm
11	1	8171.48.01	Cylindre 45/40/96/310 monté Cylinder 45/40/96/310 mounted
12	2	931D1655PA	Vis H M16 x 55 ZNBL 8.8 Hex. Screw M16 x 55 Zinc 8.8
13	3	94D432	Goupille fendue 4x 32 ISO1234 cotter pin 4x 32 ISO1234
14	2	980DV16PA	Ecrou M16 ZNBL 8.8 Nut M16 Zinc 8.8

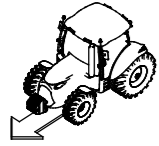


Hydr. Train denté 4500

Hydr. Tine trailer 4500

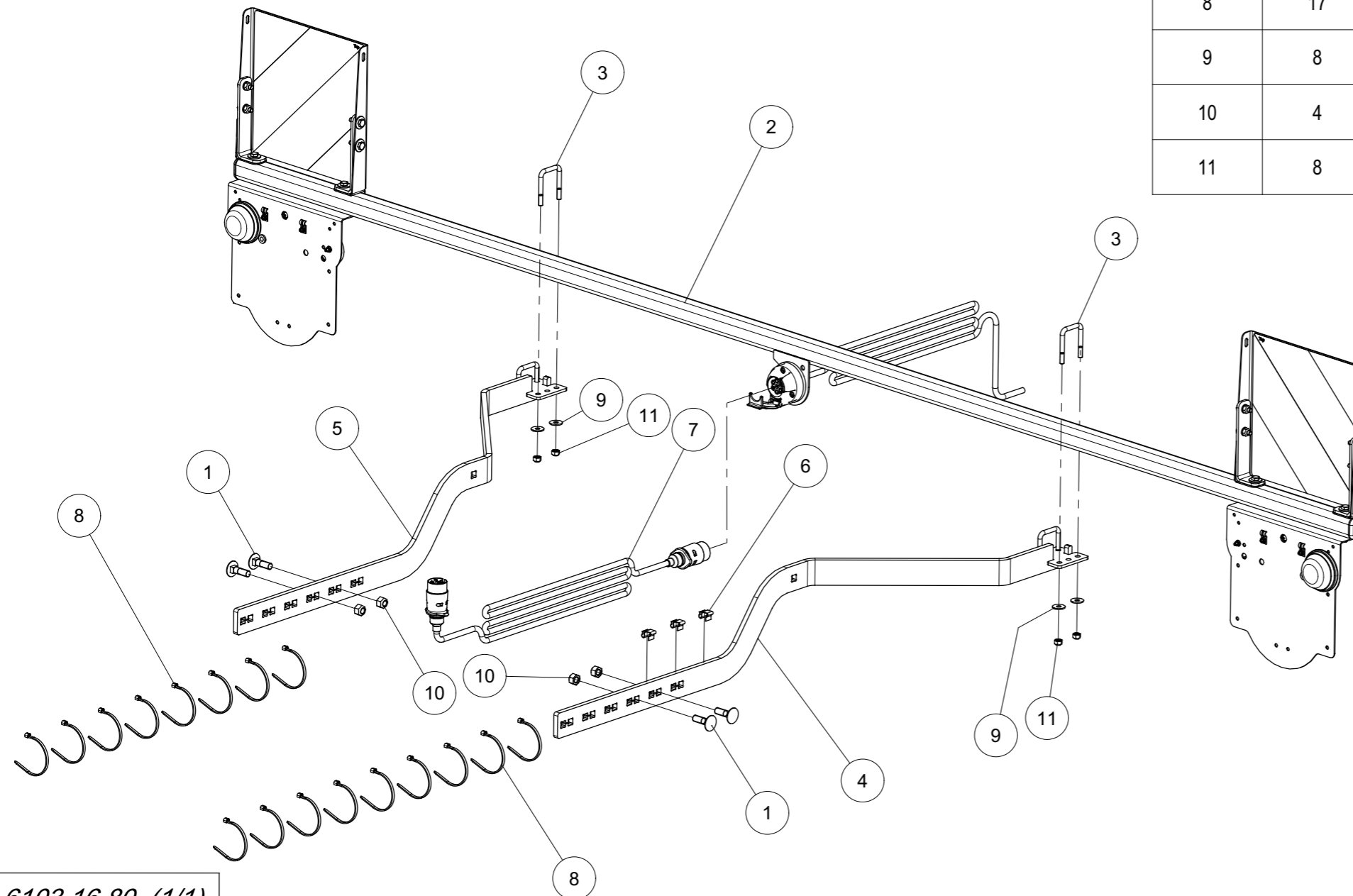


Index	Quantity	Reference	Designation
1	4	4753.56.03	Collier de serrage SP 112 A PP-Li cpl. Pipe clamp SP 112 A PP-Li cpl.
2	1	6436.07.02	T-Raccord L-12 M18x1,5 T-Coupling L-12 M18x1,5
3	2	7406.39.01	Raccord de réduc. M18x1.5 M14x1.5 Male stud coupl. M18x1.5 M14x1.5
4	1	8132.01.00	Connecteur hydraulique HL3 AG M18x1,5 Hydraulic connector HL3 AG M18x1,5
5	1	8132.05.01	Cache rouge taille 3 Dust cap red size 3
6	1	8132.06.01	Etranglement rondelle \varnothing 1.0 Restrictive washer \varnothing 1.0
7	2	8165.32.02	Bouchon fileté 3/8 Hexagon head plug 3/8
8	4	8172.08.13	Raccord L M14x1,5 / G 3/8 Male Stud coupling L M14x1,5 / G 3/8
9	1	8413.88.01	Tuyau hydraulique 2SN DN10 L1500 Hydraulic hose 2SN DN10 L1500
10	1	9001.60.22	Flexible hydr. DN 6 L1600 A0/A0 Hydr. hose DN 6 L1600 A0/A0
11	1	9001.60.34	Flexible hydr. DN 6 L 2150 A0/A0 Hydr. hose DN 6 L 2150 A0/A0
12	2	9006.70.04	Attaches de câble 7,8x360 noire Cable ties 7,8x360 black
13	1	9109.51.02	Flexible hydr. 1106-K DN 6 L 750 A0/A3 Hydr. hose 1106-K DN 6 L 750 A0/A3



Éclairage M 3.0 monté
Lighting M 3.0 mounted

Index	Quantity	Reference	Designation
1	4	603D1240PA	Vis TRCC M12x40 ISO8677-8.8 ZNBL Round-head bolt M12x40 ISO8677-8.8 Z
2	1	6103.09.14	Unité d'éclairage monté Mounted lighting unit
3	4	6103.11.28	Bride MC-8x50x65 Cross section MC-8x50x65
4	1	6103.16.81	Support gauche, soudé Holder left, welded
5	1	6103.16.82	Support droit, soudé Holder right, welded
6	3	6103.18.03	Pince de support Type SRV T=8-12 D=6-7 Carrier clamp Type SRV T=8-12 D=6-7
7	1	6456.50.04	Entre câble 7,0m 7-broches Between cable 7,0m 7-pins
8	17	9006.70.02	Attaches de câble 4,8x178 noire Cable ties 4,8x178 black
9	8	9021DA8.4A	Rondelle A 8,4 ISO7093-1 Z Washer A 8,4 ISO7093-1 Z
10	4	980DV12PA	Ecrou M12 ZNBL 8.8 Nut M12 Zinc 8.8
11	8	980DV8PA	Ecrou M8 ZNBL 8.8 Nut M8 Zinc 8.8



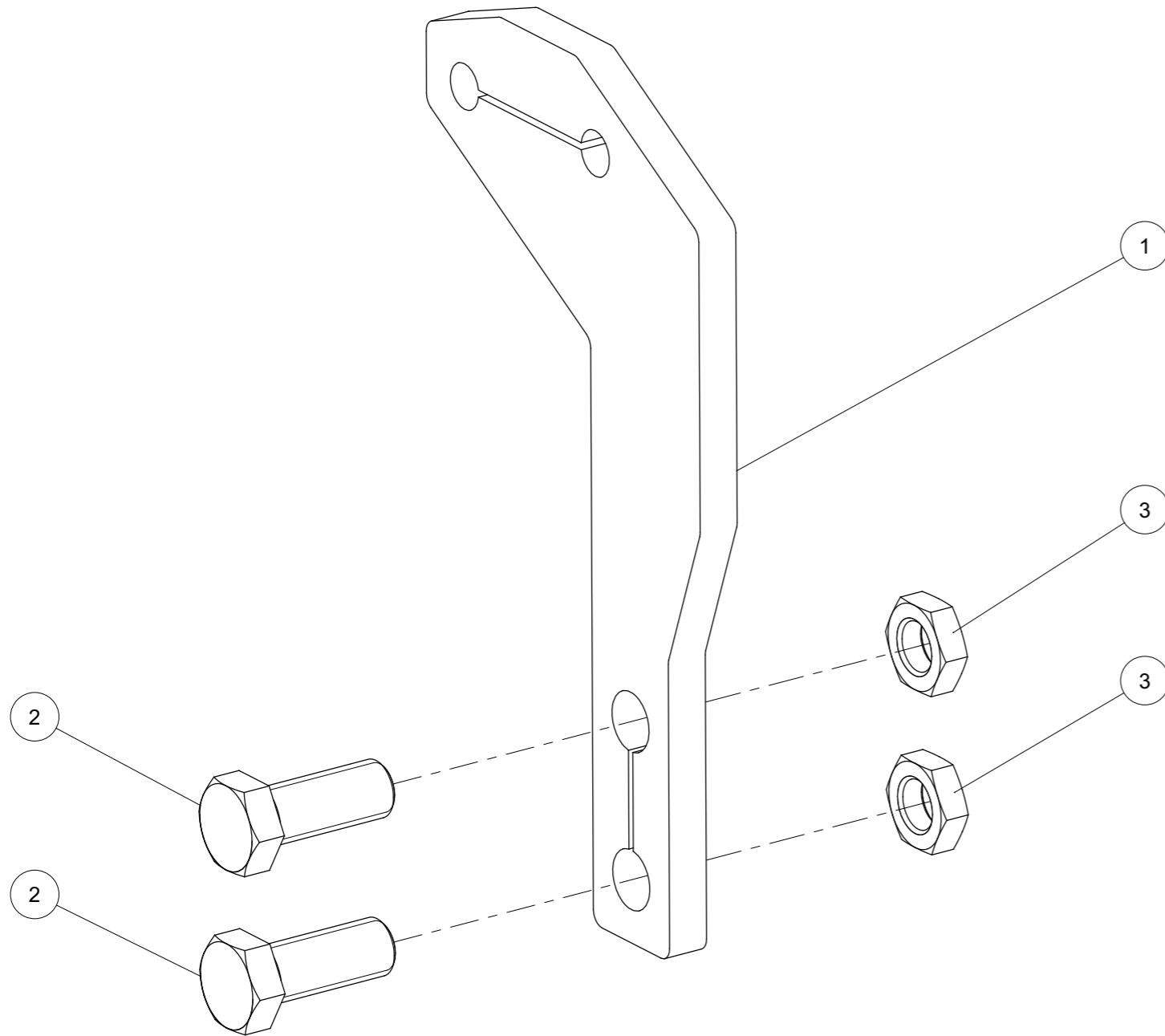
6103.16.80 (1/1)



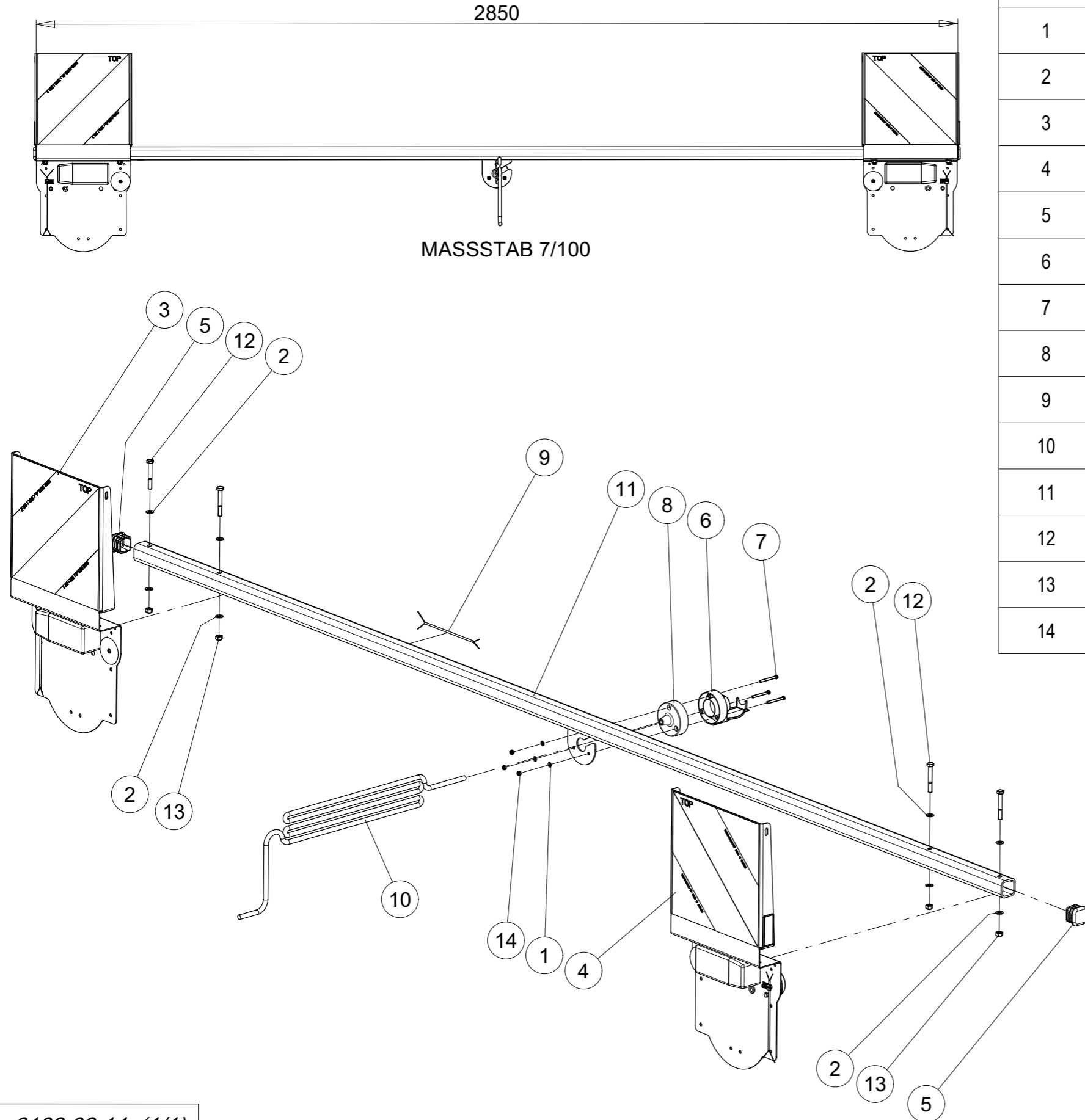
Adaptateur d'éclairage LS cpl.

Adapter lighting LS cpl.

Index	Quantity	Reference	Designation
1	1	6103.16.86	Adaptateur d'éclairage LS Adapter lighting LS
2	2	933D1640PA	Vis H M16x40 ISO4017-8.8 ZNBL Hex. Screw M16x40 ISO4017-8.8 Zinc
3	2	936D16PA	Ecrou bas Hm M16 8.8, ZNBL Nut Hm M16 8.8, ZNBL



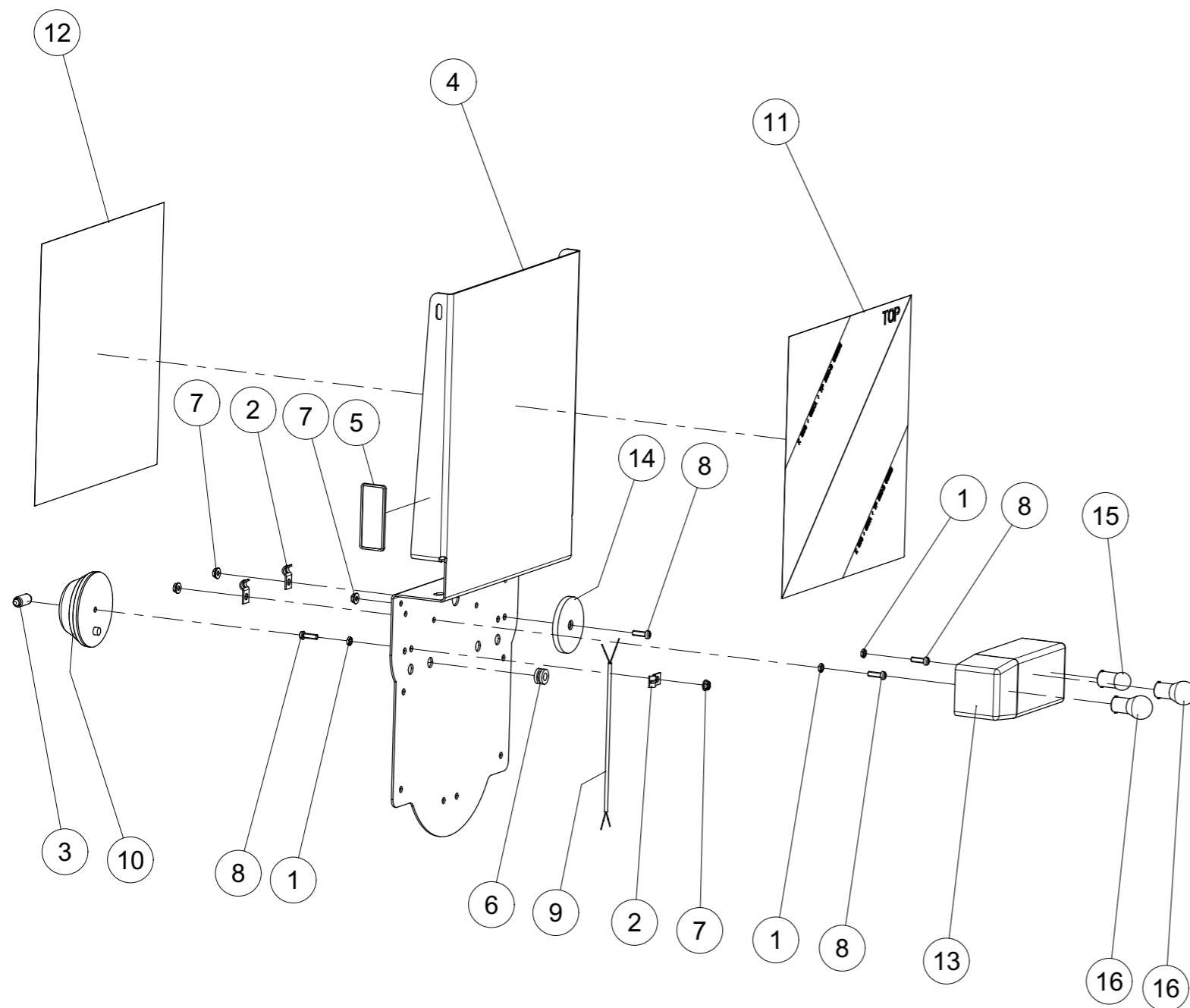
Unité d'éclairage montée
Mounted lighting unit



Index	Quantité	Reference	Designation
1	3	125DA5.3A	Rondelle A 5,3 ISO7089 Zinguée Washer A 5,3 ISO7089 Zinc.
2	8	125DA8.4A	Rondelle A 8,4 ISO7089 Zinguée Washer A 8,4 ISO7089 Zinc.
3	1	6103.16.38	Panneau d'avertissement monté arrière gauche Warning plate mounted rear left
4	1	6103.16.48	Panneau d'avertissement monté arrière droite Warning plate mounted rear right
5	2	6103.90.01	Embout ailette LQ40x40x1-4 Square plastic plugs LQ40x40x1-4
6	1	8416.65.01	Socket 7 pôle plastique noir 7 pole socket Black plastic
7	3	84D545WA	Vis M5x45 ISO1207-4.8 Z Screw M5x45 ISO1207-4.8 Z
8	1	9004.18.55	Capuchon de protection pour prise Protective cap for socket
9	1	9012.80.00	Câble noir 4x0.75 - 2.80 m Cable black 4x0,75 - 2.80 m
10	1	9012.91.00	Câble HYSLY-JZ 7x1,5 - 1.50m Cable HYSLY-JZ 7x1,5 -1.50m
11	1	9037.26.21	Tube de retenue pour panneau d'avertissement soudé Holding tube for warning plate welded
12	4	931D860PA	Vis H M8 x 60 ZNBL 8.8 Hex. Screw M8 x 60 Zinc 8.8
13	4	980DV8PA	Ecrou M8 ZNBL 8.8 Nut M8 Zinc 8.8
14	3	985D5PA	Ecrou HFR M5 ISO10511-8 Z Nut HFR M5 ISO10511-8 Z



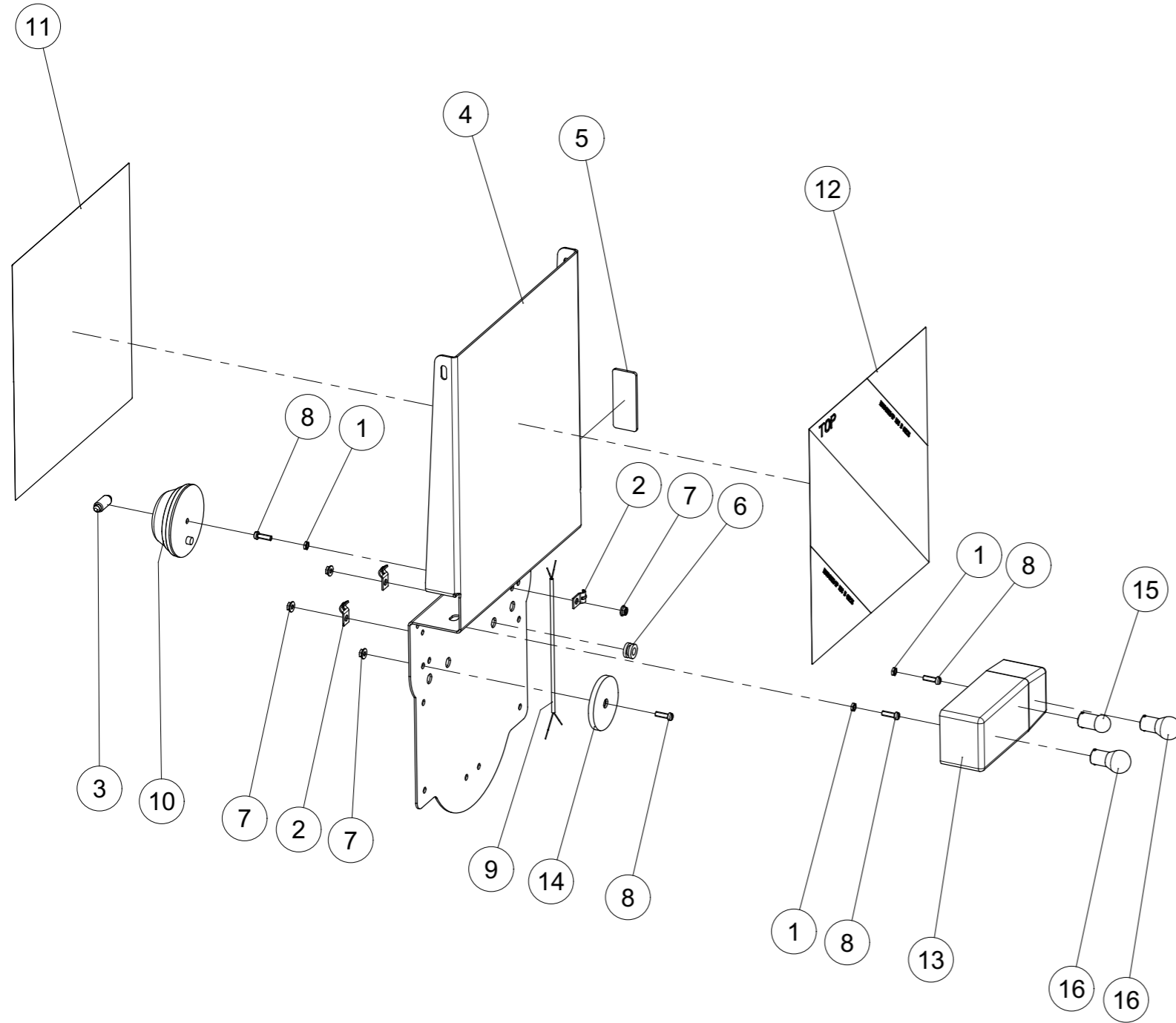
Panneau d'avertissement monté arrière gauche
Warning plate mounted rear left



Index	Quantite	Reference	Designation
1	3	439DAM5SA	Ecrou AM5 ISO4035-4 Zingue Nut AM5 ISO4035-4 zinc
2	3	6103.05.40	Collier de fixation D7 ZNBL. Mounting clamp D7 vez.
3	1	6103.09.34	Ampoule CW5 12V/5W,plinthe SV8, 5-8 court Light bulb C5W 12V/5W,socket SV8, 5-8 short
4	1	6103.16.03	Attention plaque de plaque arrière Warning plate sheet behind
5	1	6103.16.05	Réflecteur jaune Reflector yellow
6	1	6103.16.70	Grommet HV1302 D 15,9 noir Grommet HV1302 D 15,9 black
7	4	6923D5RA	Ecrou M5 Din6923 Zingue Nut M5 Din 6923 Zingue
8	4	84D516WA	Vis M5x16 ISO1207-4.8 Z Screw M5x16 ISO1207-4.8 Z
9	1	9012.81.00	Câble noir 2x0,75mm ² Cable black 2x0,75mm ²
10	1	9018.27.05	Marker lumière Marking Light
11	1	9032.37.58	Marquage gauche Marking left
12	1	9032.37.59	Marquage droite Marking right
13	1	9037.26.12	Feu arrière gauche Tail light left
14	1	9108.80.01	Réflecteur rouge Reflector red
15	1	9108.80.06	Ampoule 12V/10W Light bulb 12V/10W
16	2	9108.80.07	Ampoule 12V/21W Light bulb 12V/21W



Panneau d'avertissement monté arrière droite
Warning plate mounted rear right



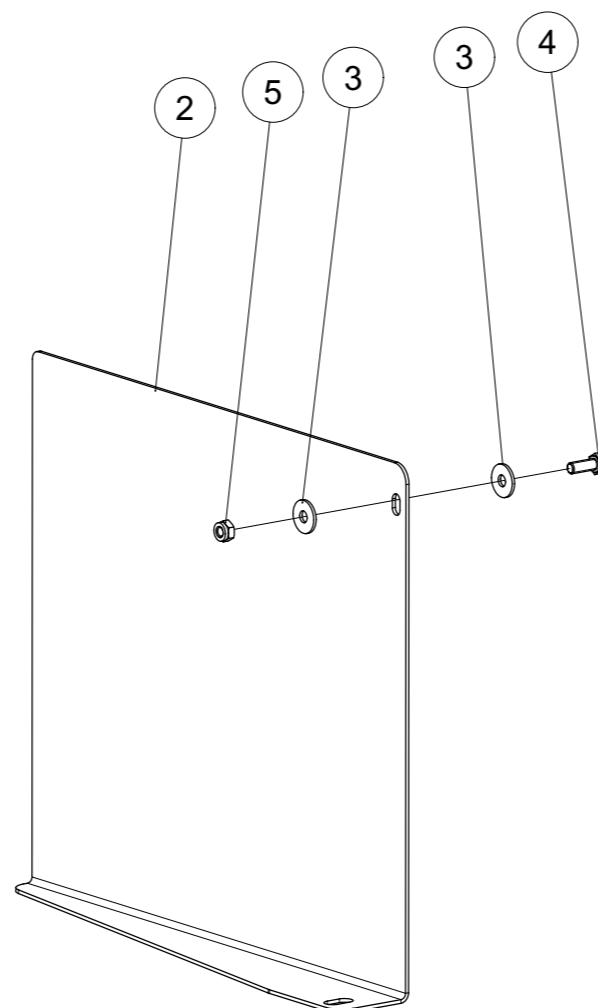
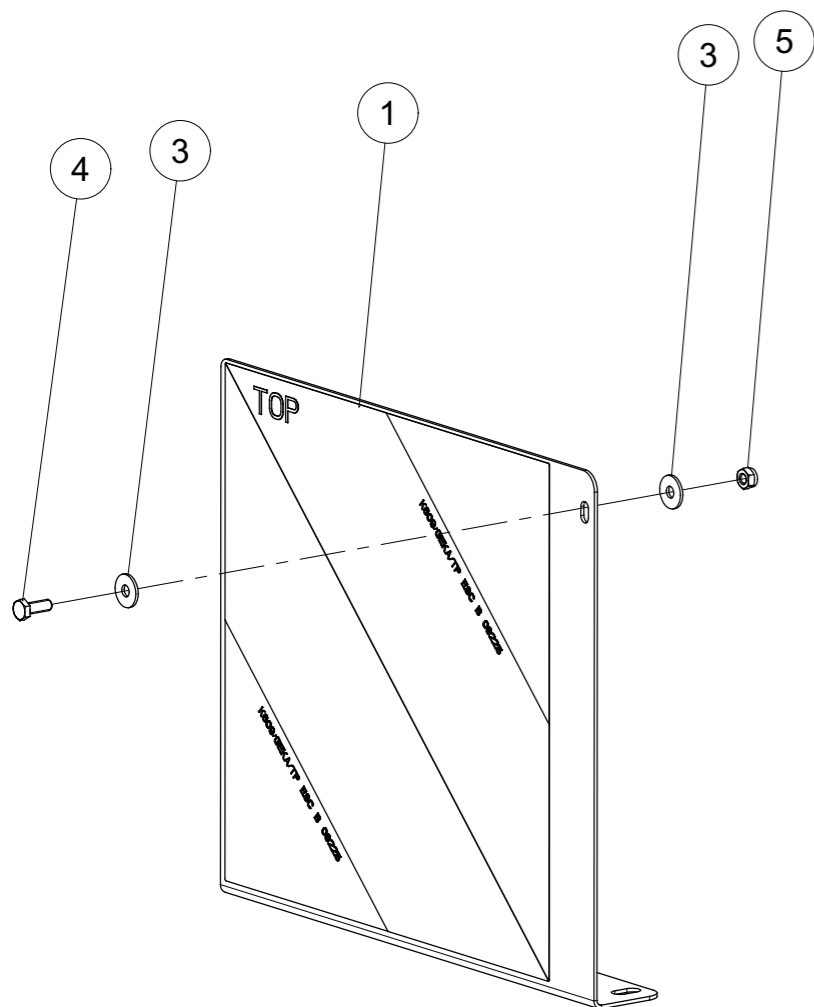
Index	Quantite	Reference	Designation
1	3	439DAM5SA	Ecrou AM5 ISO4035-4 Zingue Nut AM5 ISO4035-4 zinc
2	3	6103.05.40	Collier de fixation D7 ZNBL. Mounting clamp D7 vez.
3	1	6103.09.34	Ampoule CW5 12V/5W,plinthe SV8, 5-8 court Light bulb C5W 12V/5W,socket SV8, 5-8 short
4	1	6103.16.03	Attention plaque de plaque arrière Warning plate sheet behind
5	1	6103.16.05	Réflecteur jaune Reflector yellow
6	1	6103.16.70	Grommet HV13O2 D 15,9 noir Grommet HV13O2 D 15,9 black
7	4	6923D5RA	Ecrou M5 Din6923 Zingue Nut M5 Din 6923 Zingue
8	4	84D516WA	Vis M5x16 ISO1207-4.8 Z Screw M5x16 ISO1207-4.8 Z
9	1	9012.81.00	Câble noir 2x0,75mm ² Cable black 2x0,75mm ²
10	1	9018.27.05	Marker lumière Marking Light
11	1	9032.37.58	Marquage gauche Marking left
12	1	9032.37.59	Marquage droite Marking right
13	1	9037.26.13	Feu arrière droite Tail light right
14	1	9108.80.01	Réflecteur rouge Reflector red
15	1	9108.80.06	Ampoule 12V/10W Light bulb 12V/10W
16	2	9108.80.07	Ampoule 12V/21W Light bulb 12V/21W



Kit Signalisation coté FR

Kit lighting FR

Index	Quantite	Reference	Designation
1	1	6103.16.41	Attention plaque de plaque arriére gauche FR Warning plate rear left FR
2	1	6103.16.44	Attention plaque de plaque arriére droit FR Warning plate rear right FR
3	4	9021DA6.4A	Rondelle A 6,4 ISO7093-1 Z Washer A 6,4 ISO7093-1 Z
4	2	933D616PA	Vis H M6x16 ISO4017-8.8 ZNBL Hex. Screw M6x16 ISO4017-8.8 Zinc
5	2	985D6PA	Ecrou HFR M6 ISO10511-8 Z Nut HFR M6 ISO10511-8 Z





A series of 20 horizontal dotted lines spanning the width of the page, intended for handwritten notes.



Rabe Agrartechnik
Vertriebsgesellschaft mbH

Am Rabewerk 1

D-49152 Bad Essen

Phone: +49(0) 5472-7710

Fax: +49(0) 5472-771100

<https://rabe-agrartechnik.de/>

info@rabe-agrartechnik.de